



# Installation and Operation Manual

## Condensing Units

4TTA3

ALL phases of this installation must comply with NATIONAL, STATE AND LOCAL CODES

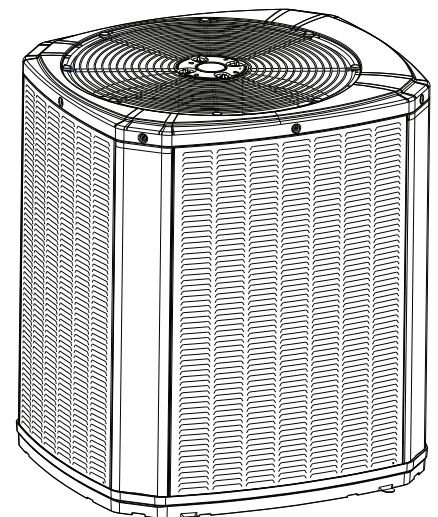
**IMPORTANT** — This Document is customer property and is to remain with this unit. Please return to service information pack upon completion of work.

These instructions do not cover all variations in systems or provide for every possible contingency to be met in connection with the installation. Should further information be desired or should particular problems arise which are not covered sufficiently for the purchaser's purposes, the matter should be referred to your installing dealer or local distributor.

**Note:** The manufacturer recommends installing only approved matched indoor and outdoor systems. Some of the benefits of installing approved matched indoor and outdoor split systems are maximum efficiency, optimum performance and the best overall system reliability.

### Table of Contents

Section 1. Safety .....	2
Section 2. Unit Location Considerations.....	3
Section 3. Unit Preparation.....	4
Section 4. Setting the Unit .....	4
Section 5. Refrigerant Line Considerations .....	4
Section 6. Refrigerant Line Routing .....	5
Section 7. Refrigerant Line Brazing .....	7
Section 8. Refrigerant Line Leak Check .....	7
Section 9. Evacuation.....	8
Section 10. Service Valves .....	8
Section 11. Electrical – Low Voltage .....	9
Section 12. Electrical – High Voltage .....	10
Section 13. Start Up.....	10
Section 14. System Charge Adjustment.....	10
Section 15. Checkout Procedures.....	15
Section 16. Refrigerant Circuits .....	15
Section 17. Wiring Diagrams .....	16
Section 18. Pressure Curves .....	20



## Section 1. Safety

### WARNING

This information is intended for use by individuals possessing adequate backgrounds of electrical and mechanical experience. Any attempt to repair a central air conditioning product may result in personal injury and/or property damage. The manufacture or seller cannot be responsible for the interpretation of this information, nor can it assume any liability in connection with its use.

### WARNING

These units use R-410A refrigerant which operates at 50 to 70% higher pressures than R-22. Use only R-410A approved service equipment. Refrigerant cylinders are painted a “Rose” color to indicate the type of refrigerant and may contain a “dip” tube to allow for charging of liquid refrigerant into the system. All R-410A systems use a POE oil that readily absorbs moisture from the atmosphere. To limit this “hygroscopic” action, the system should remain sealed whenever possible. If a system has been open to the atmosphere for more than 4 hours, the compressor oil must be replaced. Never break a vacuum with air and always change the driers when opening the system for component replacement. For specific handling concerns with R-410A and POE oil reference Retrofit Bulletins SS-APG006-EN and APP-APG011-EN or APP-APG012-EN.

### WARNING

**UNIT CONTAINS R-410A REFRIGERANT!**  
R-410A operating pressures exceed the limit of R-22. Proper service equipment is required. Failure to use proper service tools may result in equipment damage or personal injury.

#### **SERVICE**

**USE ONLY R-410A REFRIGERANT AND APPROVED POE COMPRESSOR OIL.**

### WARNING

Extreme caution should be exercised when opening the Liquid Line Service Valve. Turn counterclockwise until the valve stem just touches the rolled edge. No torque is required. Failure to follow this warning will result in abrupt release of system charge and may result in personal injury and /or property damage.

### WARNING

#### **LIVE ELECTRICAL COMPONENTS!**

During installation, testing, servicing, and troubleshooting of this product, it may be necessary to work with live electrical components. Failure to follow all electrical safety precautions when exposed to live electrical components could result in death or serious injury.

### CAUTION

If using existing refrigerant lines make certain that all joints are brazed, not soldered.

### CAUTION

Scroll compressor dome temperatures may be hot. Do not touch the top of compressor; it may cause minor to severe burning.

### WARNING

#### **WARNING!**

**This product can expose you to chemicals including lead, which are known to the State of California to cause cancer and birth defects or other reproductive harm. For more information go to [www.P65Warnings.ca.gov](http://www.P65Warnings.ca.gov)**

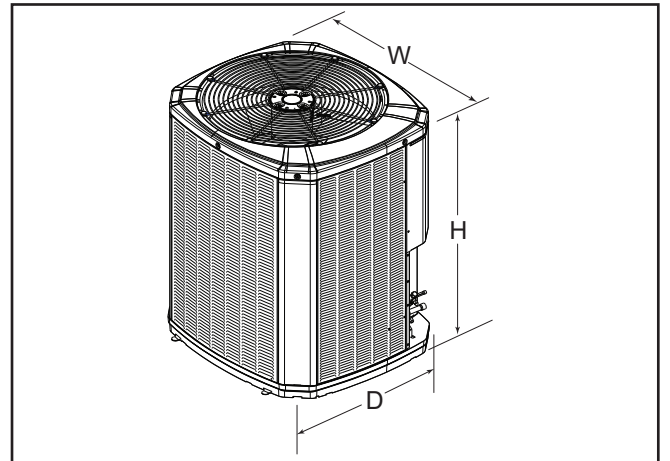
## Section 2. Unit Location Considerations

### 2.1 Unit Dimensions and Weight

Table 2.1

Unit Dimensions and Weight		
Models	H x D x W (in)	Weight* (lb)
4TTA3036B3	34 x 30 x 33	149
4TTA3042D3	29 x 34 x 37	196
4TTA3048D3	29 x 34 x 37	203
4TTA3060D3	37 x 34 x 37	226
4TTA3036B4	34 x 30 x 33	149
4TTA3042D4	29 x 34 x 37	220
4TTA3048D4	29 x 34 x 37	218
4TTA3060D4	37 x 34 x 37	258

\* Weight values are estimated.

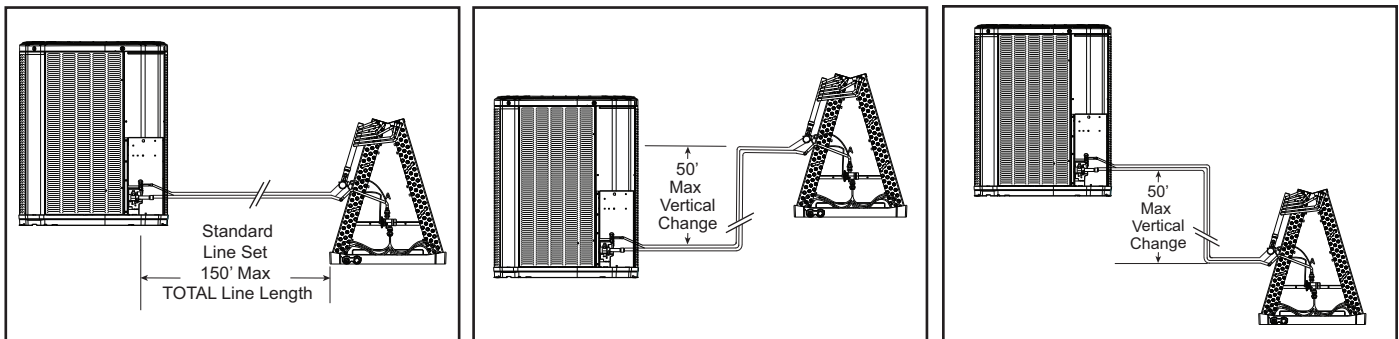


When mounting the outdoor unit on a roof, be sure the roof will support the unit's weight. Properly selected isolation is recommended to alleviate sound or vibration transmission to the building structure.

### 2.2 Refrigerant Piping Limits

1. The maximum length of refrigerant lines from outdoor to indoor unit should NOT exceed sixty (60) feet.
2. The maximum vertical change should not exceed sixty (60) feet.
3. Service valve connection diameters are shown in Table 5.1.

**Note:** For other line lengths, Refer to Refrigerant Piping Application Guide, SS-APG006F-EN, or Refrigerant Piping Software Program.



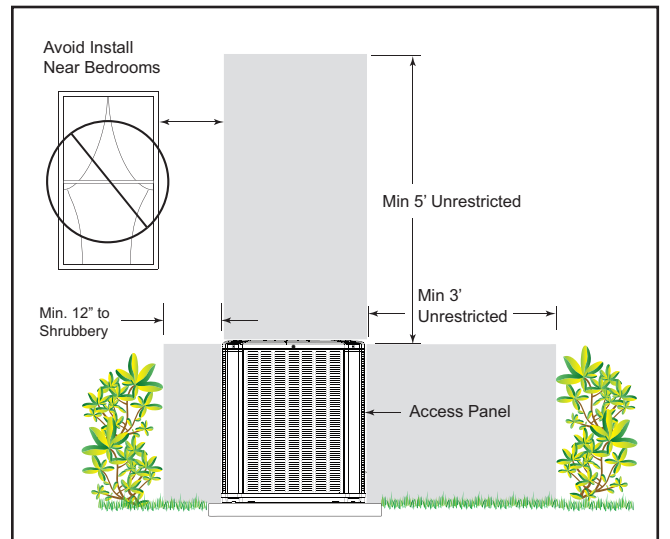
### 2.3 Suggested Locations for Best Reliability

Ensure the top discharge area is unrestricted for at least five (5) feet above the unit.

Three (3) feet clearance must be provided in front of the control box (access panels) and any other side requiring service.

It is not recommended to install in a location where noise may distract the building occupants. Some examples of these types of locations are sleeping quarters and by windows of a living area. Please discuss location with the building owner prior to installation.

Avoid locations such as near windows where condensation and freezing defrost vapor can annoy a customer. Position the outdoor unit a minimum of 12" from any wall or surrounding shrubbery to ensure adequate airflow. Outdoor unit location must be far enough away from any structure to prevent excess roof runoff water or icicles from falling directly on the unit.



## 2.4 Cold Climate Considerations

**NOTE:** It is recommended that these precautions be taken for units being installed in areas where snow accumulation and prolonged below freezing temperatures occur.

- Units should be elevated 3-12 inches above the pad or rooftop, depending on local weather. This additional height will allow drainage of snow and ice melted during defrost cycle prior to its refreezing. Ensure that drain holes in unit base pan are not obstructed preventing draining of defrost water.
- If possible, avoid locations that are likely to accumulate snow drifts. If not possible, a snow drift barrier should be installed around the unit to prevent a build-up of snow on the sides of the unit.

## 2.5 Coastal Considerations

If installed within one mile of salt water, including seacoasts and inland waterways, models without factory supplied Seacoast Salt Shields require the addition of BAYSEAC001 (Seacoast Kit) at installation time.

# Section 3. Unit Preparation

## 3.1 Prepare The Unit For Installation

**STEP 1** - Check for damage and report promptly to the carrier any damage found to the unit.

**STEP 2** - To remove the unit from the pallet, remove tabs by cutting with a sharp tool.

# Section 4. Setting the Unit

## 4.1 Pad Installation

When installing the unit on a support pad, such as a concrete slab, consider the following:

- The pad should be at least 1” larger than the unit on all sides.
- The pad must be separate from any structure.
- The pad must be level.
- The pad should be high enough above grade to allow for drainage.
- The pad location must comply with National, State, and Local codes.

For other applications refer to application guide.

# Section 5. Refrigerant Line Considerations

## 5.1 Refrigerant Line and Service Valve Connection Sizes

Table 5.1

Model	Line Sizes		Service Valve Connection Sizes	
	Vapor Line	Liquid Line	Vapor Line Connection	Liquid Line Connection
4TTA3036B3	3/4	3/8	3/4	3/8
4TTA3042D3	3/4	3/8	3/4	3/8
4TTA3048D3	7/8	3/8	7/8	3/8
4TTA3060D3	7/8	3/8	7/8	3/8
4TTA3036B4	3/4	3/8	3/4	3/8
4TTA3042D4	3/4	3/8	3/4	3/8
4TTA3048D4	7/8	3/8	7/8	3/8
4TTA3060D4	7/8	3/8	7/8	3/8

**Note:** For other line lengths, Refer to Refrigerant Piping Application Guide, SS-APG006-EN or Refrigerant Piping Software Program, 32-3312-xx (latest revision).

## 5.2 Factory Charge

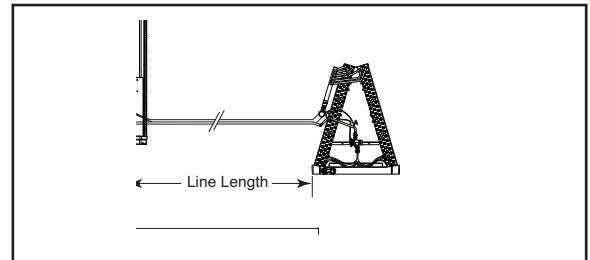
The outdoor condensing units are factory charged with the system charge required for the outdoor condensing unit, ten (10) feet of tested connecting line, and the smallest rated indoor evaporative coil match. Always verify proper system charge via subcooling (TXV/EEV) or superheat (fixed orifice) per the unit nameplate.

## 5.3 Required Refrigerant Line Length

Determine required line length and lift. You will need this later in STEP 2 of Section 14.

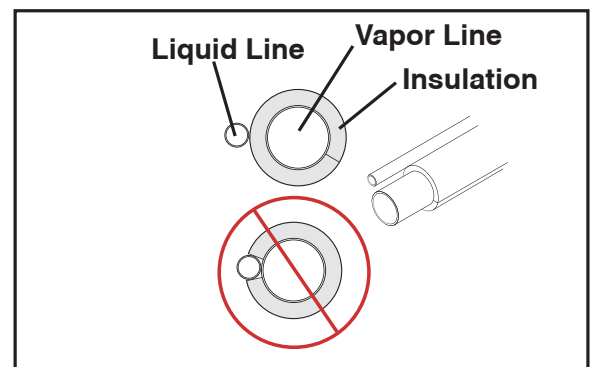
Total Line Length = \_\_\_\_\_ Ft.

Total Vertical Change (lift) = \_\_\_\_\_ Ft.



## 5.4 Refrigerant Line Insulation

**Important:** The Vapor Line must always be insulated. DO NOT allow the Liquid Line and Vapor Line to come in direct (metal to metal) contact.



## 5.5 Reuse Existing Refrigerant Lines

### ⚠ CAUTION

If using existing refrigerant lines make certain that all joints are brazed, not soldered.

For retrofit applications, where the existing indoor evaporator coil and/or refrigerant lines will be used, the following precautions should be taken:

- Ensure that the indoor evaporator coil and refrigerant lines are the correct size.
- Ensure that the refrigerant lines are free of leaks, acid, and oil.

## Section 6. Refrigerant Line Routing

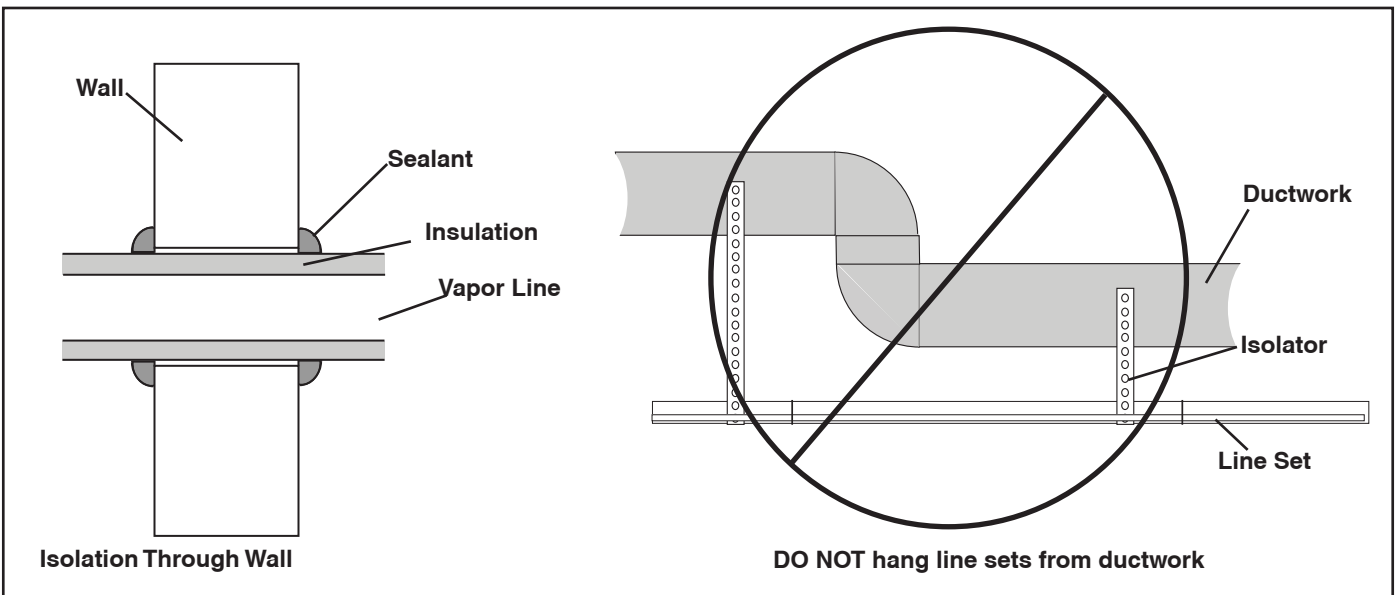
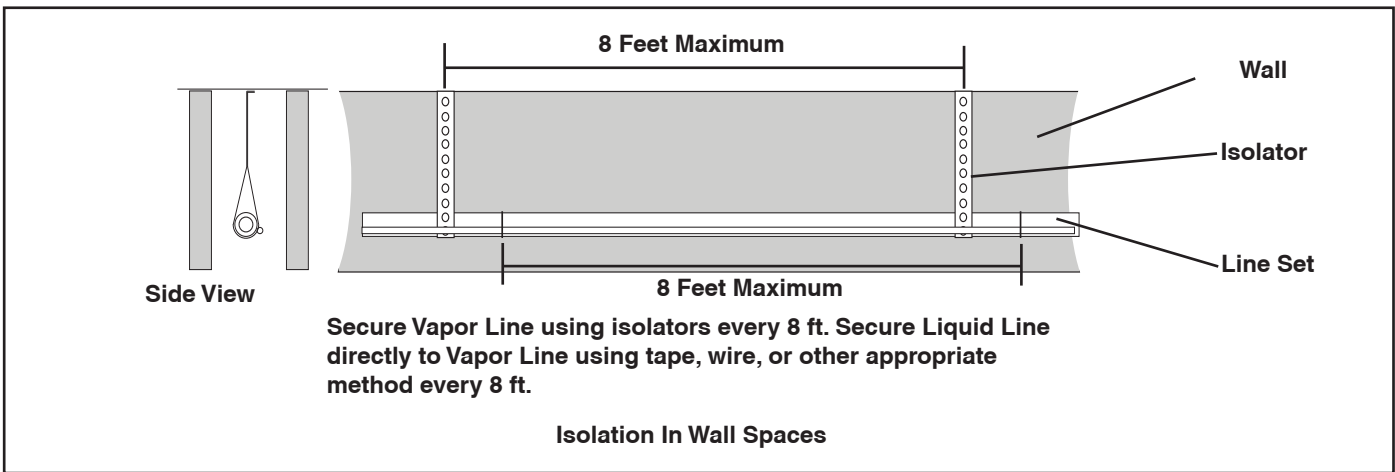
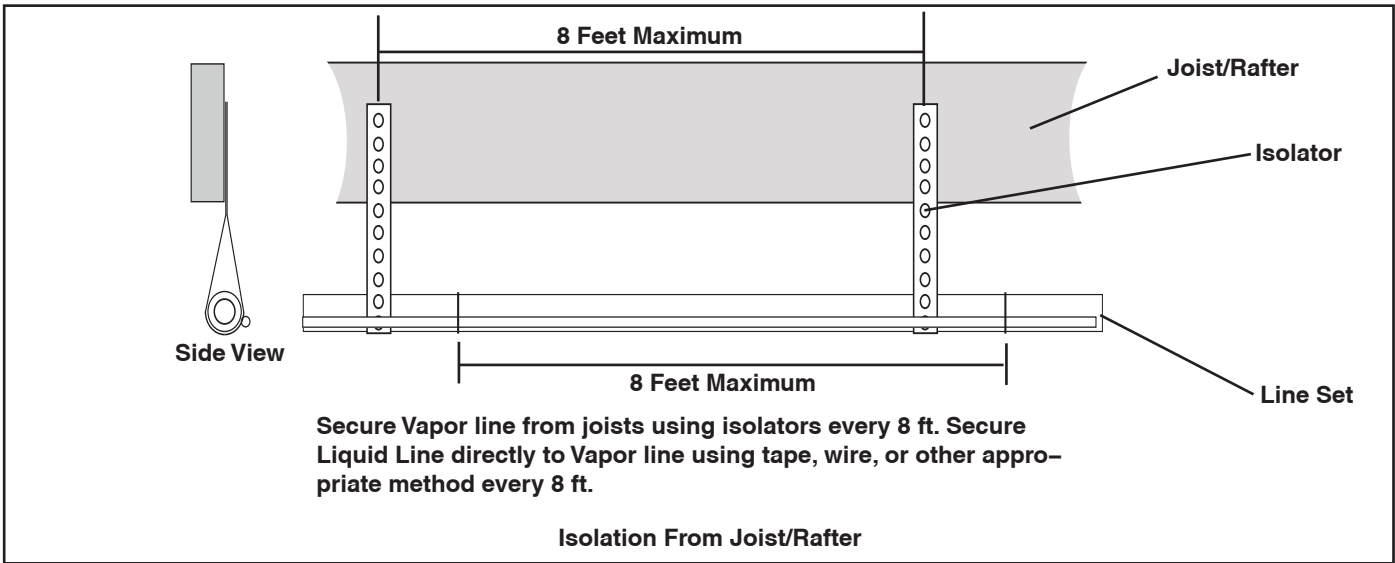
### 6.1 Precautions

**Important:** Take precautions to prevent noise within the building structure due to vibration transmission from the refrigerant lines.

Comply with National, State, and Local Codes when isolating line sets from joists, rafters, walls, or other structural elements.

For Example:

- When the refrigerant lines have to be fastened to floor joists or other framing in a structure, use isolation type hangers.
- Isolation hangers should also be used when refrigerant lines are run in stud spaces or enclosed ceilings.
- Where the refrigerant lines run through a wall or sill, they should be insulated and isolated.
- Isolate the lines from all ductwork.
- Minimize the number of 90° turns.



## Section 7. Refrigerant Line Brazing

### 7.1 Braze The Refrigerant Lines

**STEP 1** - Remove caps or plugs. Use a deburring tool to debur the pipe ends. Clean both internal and external surfaces of the tubing using an emery cloth.

**STEP 2** - Remove the pressure tap cap and valve cores from both service valves.

**STEP 3** - Purge the refrigerant lines and indoor coil with dry nitrogen.

**STEP 4** - Wrap a wet rag around the valve body to avoid heat damage and continue the dry nitrogen purge.

Braze the refrigerant lines to the service valves.

For units shipped with a field-installed external drier, check liquid line filter drier's directional flow arrow to confirm correct direction of refrigeration flow (away from outdoor unit and toward evaporator coil) as illustrated. Braze the filter drier to the Liquid Line.

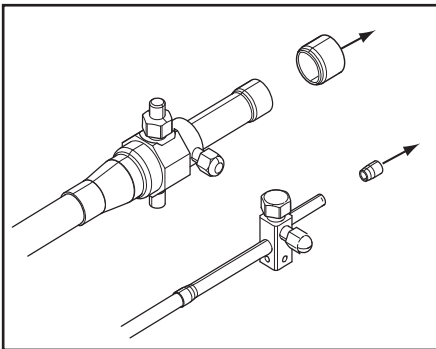
Continue the dry nitrogen purge. Do not remove the wet rag until all brazing is completed.

Important: Remove the wet rag before stopping the dry nitrogen purge.

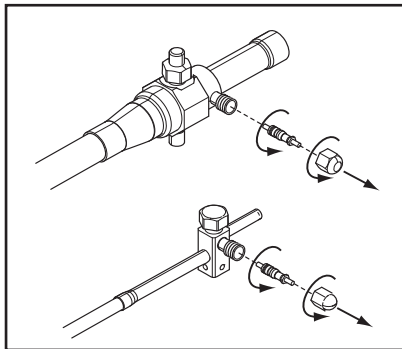
**Note:** Install drier in Liquid Line.

**NOTE:** Precautions should be taken to avoid heat damage to basepan during brazing. It is recommended to keep the flame directly off of the basepan.

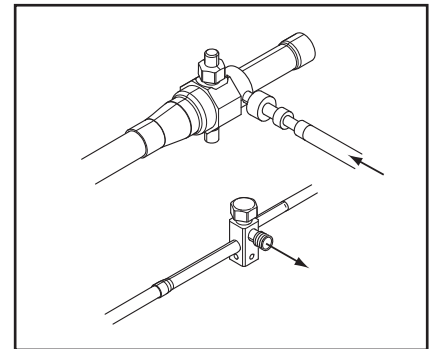
**STEP 5** - Replace the pressure tap valve cores after the service valves have cooled.



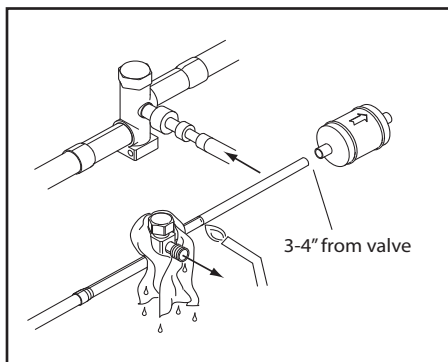
**STEP 1**



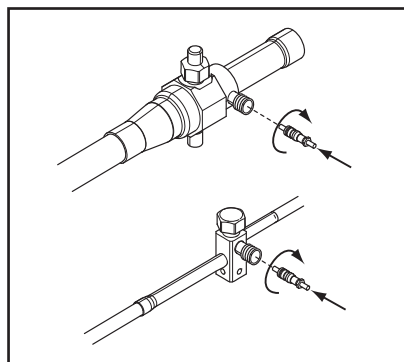
**STEP 2**



**STEP 3**



**STEP 4**



**STEP 5**

## Section 8. Refrigerant Line Leak Check

### 8.1 Check For Leaks

**STEP 1** - Pressurize the refrigerant lines and evaporator coil to 150 PSIG using dry nitrogen.

**STEP 2** - Check for leaks by using a soapy solution or bubbles at each brazed location.

Remove nitrogen pressure and repair any leaks before continuing.



## Section 9. Evacuation

### 9.1 Evacuate the Refrigerant Lines and Indoor Coil

**Important:** Do not open the service valves until the refrigerant lines and indoor coil leak check and evacuation are complete.

**STEP 1** - Evacuate until the micron gauge reads no higher than 350 microns, then close off the valve to the vacuum pump.

**STEP 2** - Observe the micron gauge. Evacuation is complete if the micron gauge does not rise above 500 microns in one (1) minute.

Once evacuation is complete blank off the vacuum pump and micron gauge, and close the valves on the manifold gauge set.

## Section 10. Service Valves

### 10.1 Open the Gas Service Valve

**Important:** Leak check and evacuation must be completed before opening the service valves.

**NOTE:** Do not vent refrigerant gases into the atmosphere.

**STEP 1** - Remove valve stem cap.

**STEP 2** - Using an adjustable wrench, turn valve stem 1/4 turn counterclockwise to the fully open position.

**STEP 3** - Replace the valve stem cap to prevent leaks. Tighten finger tight plus an additional 1/6 turn.

### 10.2 Open the Liquid Service Valve

#### **⚠ WARNING**

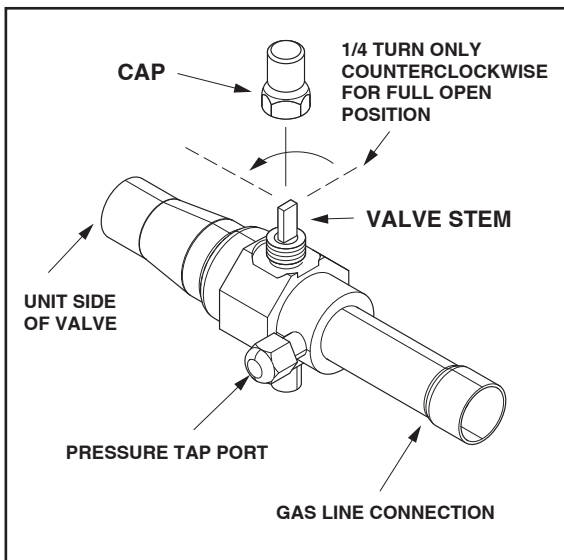
Extreme caution should be exercised when opening the Liquid Line Service Valve. Turn counterclockwise until the valve stem just touches the rolled edge. No torque is required. Failure to follow this warning will result in abrupt release of system charge and may result in personal injury and /or property damage.

**Important:** Leak check and evacuation must be completed before opening the service valves.

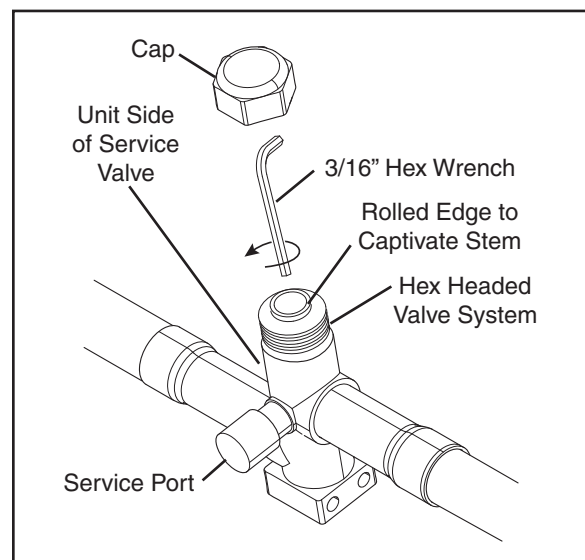
**STEP 1** - Remove service valve cap.

**STEP 2** - Fully insert 3/16" hex wrench into the stem and back out counterclockwise until valve stem just touches the rolled edge (approximately five (5) turns.)

**STEP 3** - Replace the valve cap to prevent leaks. Tighten finger tight plus an additional 1/6 turn.



**Gas Service Valve**



**Liquid Service Valve**



# Section 11. Electrical – Low Voltage

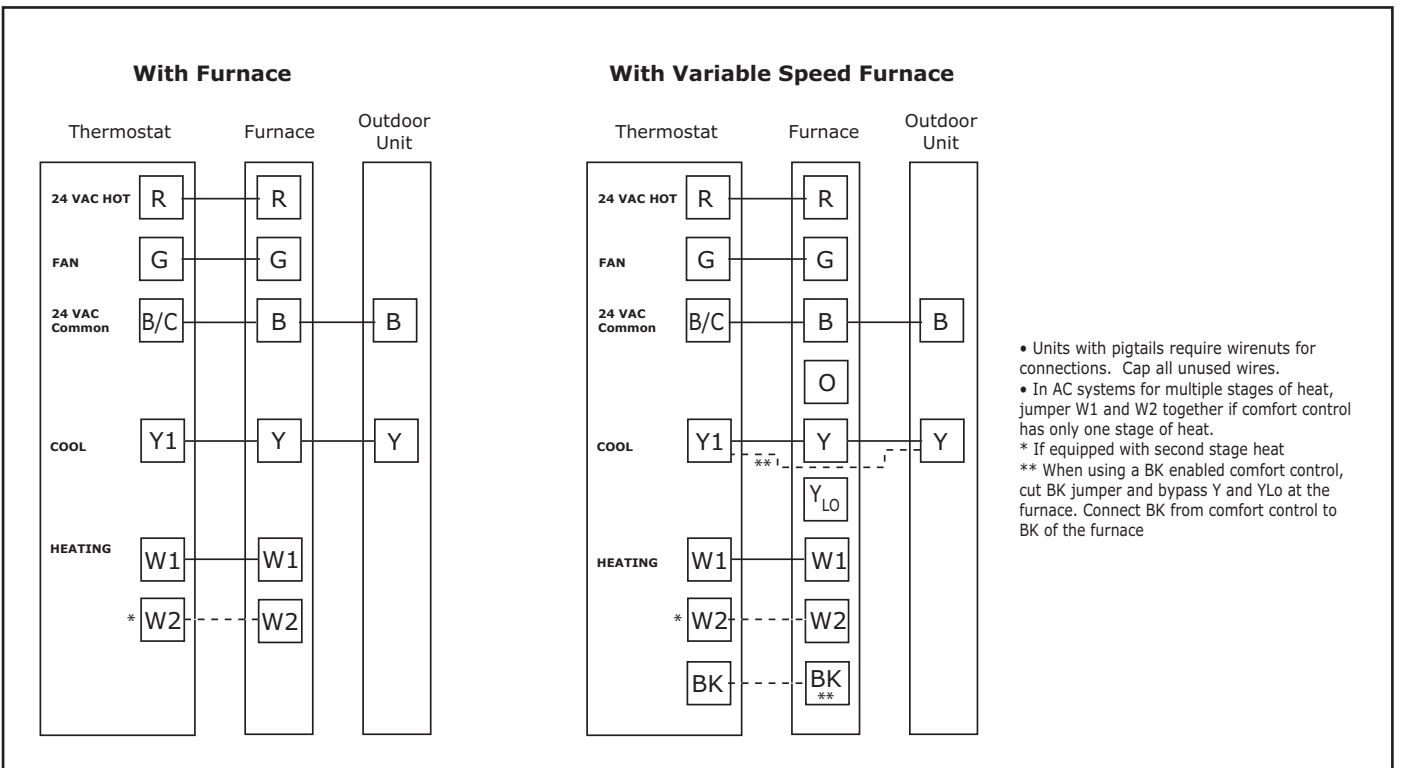
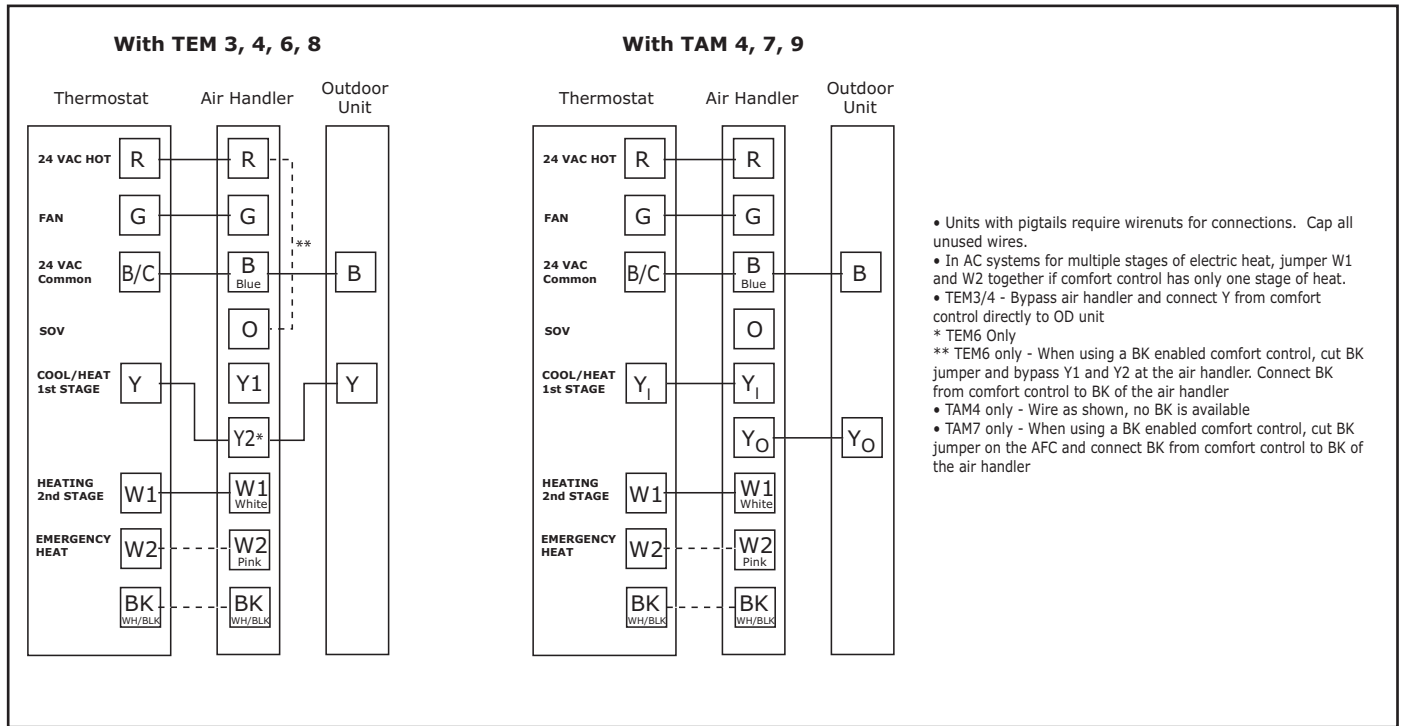
## 11.1 Low Voltage Maximum Wire Length

Table 11.1 defines the maximum total length of low voltage wiring from the outdoor unit, to the indoor unit, and to the thermostat.

**Table 11.1**

24 VOLTS	
WIRE SIZE	MAX. WIRE LENGTH
18 AWG	150 Ft.
16 AWG	225 Ft.
14 AWG	300 Ft.

## 11.2 Low Voltage Hook-up Diagrams



## Section 12. Electrical – High Voltage

### 12.1 High Voltage Power Supply

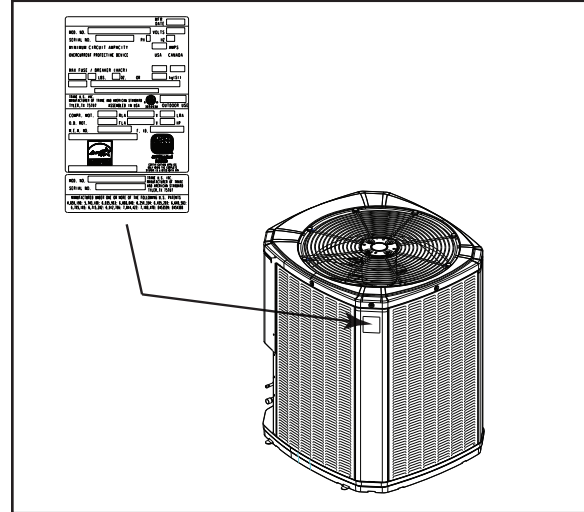
#### ⚠ WARNING

##### LIVE ELECTRICAL COMPONENTS!

During installation, testing, servicing, and troubleshooting of this product, it may be necessary to work with live electrical components. Failure to follow all electrical safety precautions when exposed to live electrical components could result in death or serious injury.

The high voltage power supply must agree with the equipment nameplate. Power wiring must comply with national, state, and local codes.

Follow instructions on unit wiring diagram located on the inside of the control box cover and in the Service Facts document included with the unit.



### 12.2 High Voltage Disconnect Switch

Install a separate disconnect switch at the outdoor unit.

For high voltage connections, flexible electrical conduit is recommended whenever vibration transmission may create a noise problem within the structure.

### 12.3 High Voltage Ground

Ground the outdoor unit per national, state, and local code requirements.

## Section 13. Start Up

### 13.1 System Start Up

**STEP 1** - Ensure Sections 7 through 12 have been completed.

**STEP 2** - Set System Thermostat to OFF.

**STEP 3** - Turn on disconnect(s) to apply power to the indoor and outdoor units.

**STEP 4** - Wait one (1) hour before starting the unit if compressor crankcase heater accessory is used and the Outdoor Ambient is below 70°F.

**STEP 5** - Set system thermostat to ON.

## Section 14. System Charge Adjustment

**14.1 Temperature Measurements (Systems can be rated with TXV, EEV or Piston. Ensure charging method is correct).**

**STEP 1** - Check the outdoor temperatures.

Subcooling (in cooling mode) is the only recommended method of charging above 55° F ambient outdoor temperature. See Section 14.2.

**Note:** For Superheat (In Cooling Mode), refer to the Superheat Charging Table.

For outdoor temperatures below 55° F, see Section 14.3.

**Note:** It is important to return in the spring or summer to accurately charge the system in the cooling mode when outdoor ambient temperature is above 55° F.

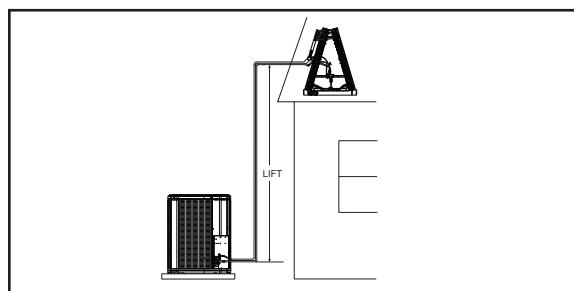
For best results the indoor temperature should be kept between 70° F to 80° F.

## 14.2 Subcooling Charging in Cooling (Above 55° F Outdoor Temp.)

**STEP 1** - Use the refrigerant line total length and lift measurements from Section 5.3.

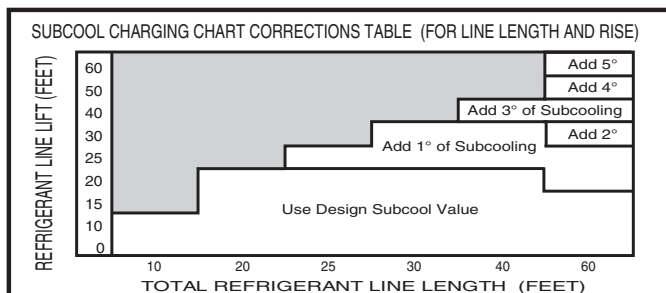
Total Line Length = \_\_\_\_\_ Ft.

Vertical Change (Lift) = \_\_\_\_\_ Ft.

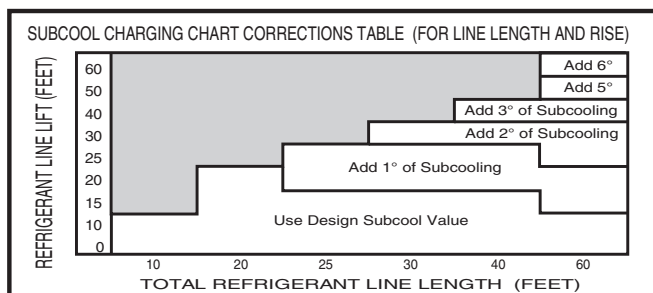


**STEP 2** - Determine the final subcooling value using total Line Length and Lift measured in STEP 1 and the charts below.

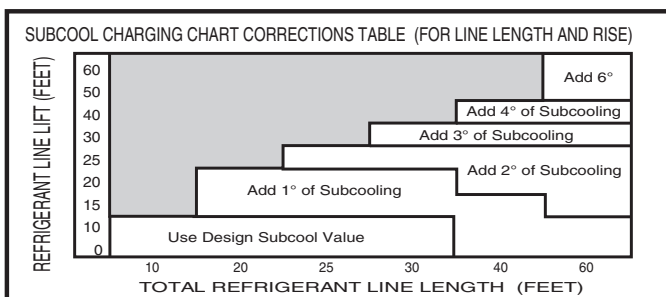
3 Ton



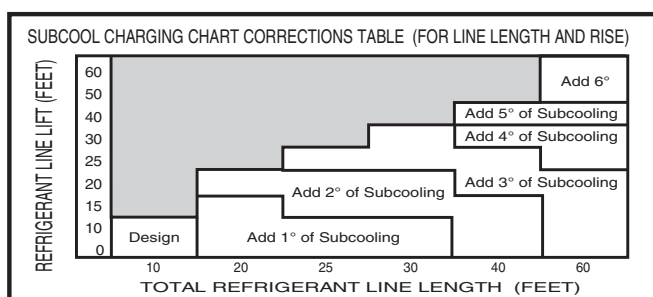
3 1/2 Ton



4 Ton



5 Ton



Design Subcooling Value = \_\_\_\_\_ ° F  
(from nameplate or Service Facts)

Subcooling Correction = \_\_\_\_\_ ° F

Final Subcooling Value = \_\_\_\_\_ ° F

**STEP 3** - Stabilize the system by operating for a minimum of 20 minutes.

At startup, or whenever charge is removed or added, the system must be operated for a minimum of 20 minutes to stabilize before accurate measurements can be made.

**STEP 4** - Measure the liquid line temperature and pressure at the outdoor unit's service valve.

Measured Liquid Line Temp = \_\_\_\_\_ ° F

Liquid Gage Pressure = \_\_\_\_\_ PSIG

Final Subcooling Value = \_\_\_\_\_ ° F

**STEP 5** - Use the final subcooling value, refrigerant temperature and pressure from STEP 4, to determine the proper liquid gage pressure using Table 14.2.

Example: Assume a 12° F Final Subcooling value and liquid temp of 90° F.

1. Locate 12° F Final Subcooling in Table 14.2.
2. Locate the Liquid Temperature (90° F) in the left column.
3. The Liquid Gage Pressure should be approximately 327 PSIG. (This is shown as the intersection of the Final Subcooling column and the Liquid Temperature row.)

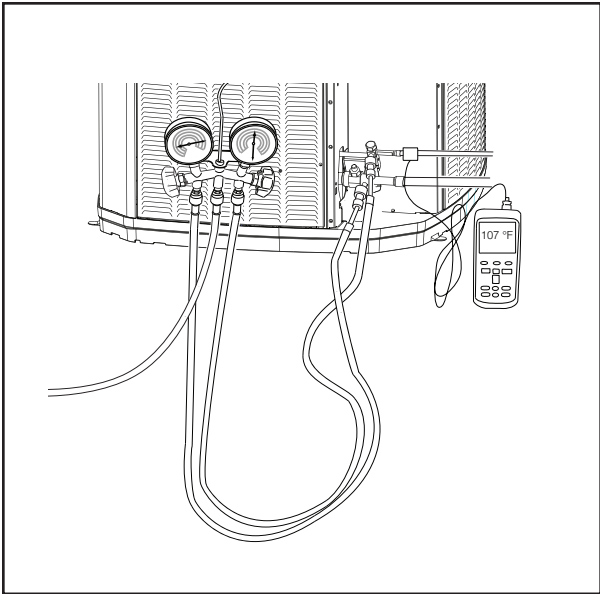


Table 14.2

LIQUID TEMP (°F)	FINAL SUBCOOLING (°F)						
	8	9	10	11	12	13	14
	LIQUID GAGE PRESSURE (PSI)						
55	179	182	185	188	191	195	198
60	195	198	201	204	208	211	215
65	211	215	218	222	225	229	232
70	229	232	236	240	243	247	251
75	247	251	255	259	263	267	271
80	267	271	275	279	283	287	291
85	287	291	296	300	304	309	313
90	309	313	318	322	327	331	336
95	331	336	341	346	351	355	360
100	355	360	365	370	376	381	386
105	381	386	391	396	402	407	413
110	407	413	418	424	429	435	441
115	435	441	446	452	458	464	470
120	464	470	476	482	488	495	501
125	495	501	507	514	520	527	533

From Dwg. D154557P01 Rev. 3

**STEP 6 -** Adjust refrigerant level to attain proper gage pressure.

Add refrigerant if the Liquid Gage Pressure is lower than the chart value.

1. Connect gages to refrigerant bottle and unit as illustrated.
2. Purge all hoses.
3. Open bottle.
4. Stop adding refrigerant when liquid line temperature and Liquid Gage Pressure matches the charging chart Final Subcooling value.

Recover refrigerant if the Liquid Gage Pressure is higher than the chart value.

**STEP 7 -** Stabilize the system.

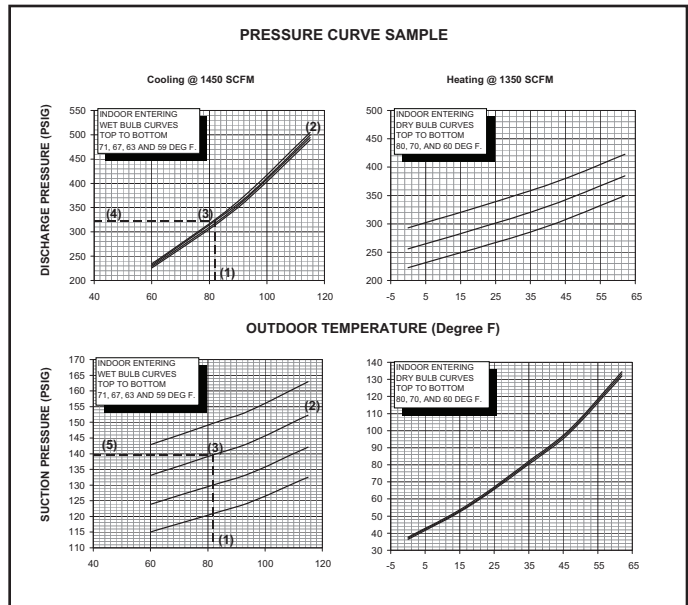
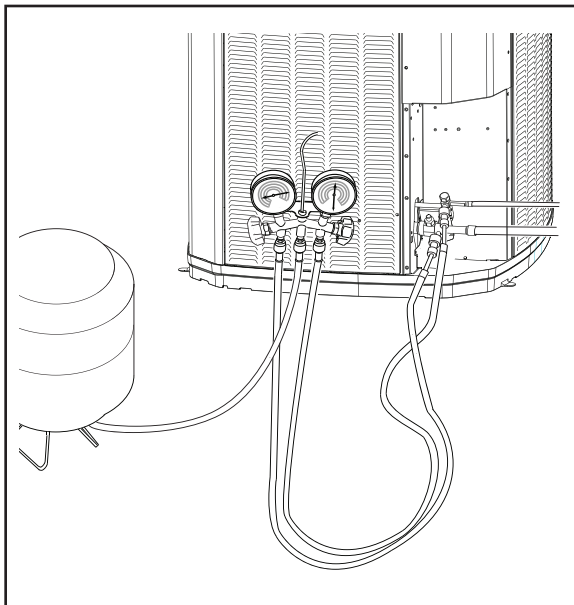
1. Wait 20 minutes for the system condition to stabilize between adjustments.

**Note:** When the Liquid Line Temperature and Gage Pressure approximately match the chart, the system is properly charged.

2. Remove gages.
3. Replace service port caps to prevent leaks. Tighten finger tight plus an additional 1/6 turn.

**STEP 8 -** Verify typical performance.

Refer to System Pressure Curves at the end of the document to verify typical performance.



## Fixed Orifice Superheat Charging Table

		Indoor Wet Bulb Temp (F)																													
		50	51	52	53	54	55	56	57	58	59	60	61	62	63	64	65	66	67	68	69	70	71	72	73	74	75	76	77	78	
Outdoor Dry Bulb Temp. (F)	55	7	9	10	11	12	14	15	17	18	20	21	23	24	26	27	29	30													
	60	5	7	8	9	10	12	13	15	16	18	19	21	22	24	25	27	28	30	31											
	65			4	6	8	10	11	13	14	16	17	18	19	21	22	24	25	27	28	27	31									
	70					5	7	8	10	11	13	14	16	17	18	19	21	22	24	25	27	28	30	31							
	75							5	6	7	9	10	12	14	16	18	19	21	22	24	26	28	29	31	32						
	80									4	6	7	9	10	11	12	14	16	18	19	21	23	25	26	28	29	31	33			
	85											4	6	7	9	10	13	14	16	18	20	21	23	24	26	28	29	30	31	32	
	90													4	6	8	10	11	13	14	16	18	20	22	24	25	27	28	30	31	
	95															4	6	8	10	13	14	16	18	20	22	23	25	26	28	29	
	100																	6	8	10	12	13	16	18	20	21	23	25	27	29	
	105																	4	6	7	9	11	13	15	18	20	22	24	26	28	
	110																			4	7	9	11	13	16	18	21	23	26	28	
	115																						6	9	12	14	16	19	21	24	26

Using a digital psychrometer, measure the return air wet-bulb temperature at the unit just before the coil. Also measure the outdoor dry-bulb temperature. Use these temperatures to locate the target superheat on the charging table. Do not attempt to charge the system if these conditions fall outside of this charging table.  
 ADD refrigerant to DECREASE total superheat. REMOVE refrigerant to INCREASE total superheat. Always allow 10 to 15 minutes of operation after any refrigerant or air flow change prior to determining the final superheat.

**STEP 9 - Record System Information for reference.**

Record system pressures and temperatures after charging is complete.

Outdoor model number = \_\_\_\_\_

Measured Outdoor Ambient = \_\_\_\_\_ ° F

Measured Indoor Ambient = \_\_\_\_\_ ° F

Measured Liquid Line Temp = \_\_\_\_\_ ° F

Measured Suction Line Temp = \_\_\_\_\_ ° F

Liquid Gage Pressure = \_\_\_\_\_ PSIG

Suction Gage Pressure = \_\_\_\_\_ PSIG

**14.3 Subcooling Charging Below 55° F Outdoor Temp.**

The Subcooling Charging method in cooling is not recommended below 55° F outdoor temperature.

The recommended method of charging at outdoor temperatures below 55° F is weighing in the charge. Return when weather conditions permit charge verification through subcooling.

**STEP 1 - Determine additional charge.**

**Note:** The nameplate charge value represents the amount of refrigerant shipped in the outdoor unit and is compatible with 10 feet of AHRI rated refrigerant lines and the smallest AHRI rated coil.

Using the method below, find the charge associated with the additional length of tubing above 10 ft. and record it below.

Calculating Charge Using the Weigh-In Method

- 1) Measure in feet the distance between the outdoor unit and the indoor unit. (Include the entire length of the line from the service valve to the IDU.) Subtract 10 ft from this entire length and record on line 1.
- 2) Enter the charge multiplier (0.6 oz/ft). Each linear foot of interconnecting tubing requires the addition of 0.6 oz of refrigerant.
- 3) Multiply the total length of refrigerant tubing (Line 1) times the value on Step 2. Record the result on Line 3 of the Worksheet.
- 4) This is the amount of refrigerant to weigh-in prior to opening the service valves.

Weigh-In Method can be used for the initial installation, or anytime a system charge is being replaced. Weigh-In Method can also be used when power is not available to the equipment site or operating conditions (indoor/outdoor temperatures) are not in range to verify with the subcooling charging method.

1. Total Line length (ft) – 10 ft \_\_\_\_\_
2. Charge multiplier                    x 0.6 oz
3. Step 1 x Step 2                        = \_\_\_\_\_
4. Refrigerant (oz)                        = \_\_\_\_\_

**STEP 2 - Stabilize the system by operating for a minimum of 20 minutes.**

At startup, or whenever charge is removed or added, the system must be operated for a minimum of 20 minutes to stabilize before accurate measurements can be made.

**STEP 3 - Check the liquid line temperature and liquid gage pressure to obtain a minimum of 10° subcooling in heating mode.**

Measured Liquid Line Temp = \_\_\_\_\_ ° F

Liquid Gage Pressure = \_\_\_\_\_ PSIG

**STEP 4 - Add charge if a minimum of 10° subcooling is not obtained with the nameplate charge plus additional charge previously added.**

**STEP 5 - Return to site for adjustment.**

**Important:** Return in the spring or summer to accurately charge the system in the cooling mode with outdoor ambient above 55° F.

## Section 15. Checkout Procedures

### 15.1 Operational And Checkout Procedures

Final phases of this installation are the unit Operational and Checkout Procedures. To obtain proper performance, all units must be operated and charge adjustments made.

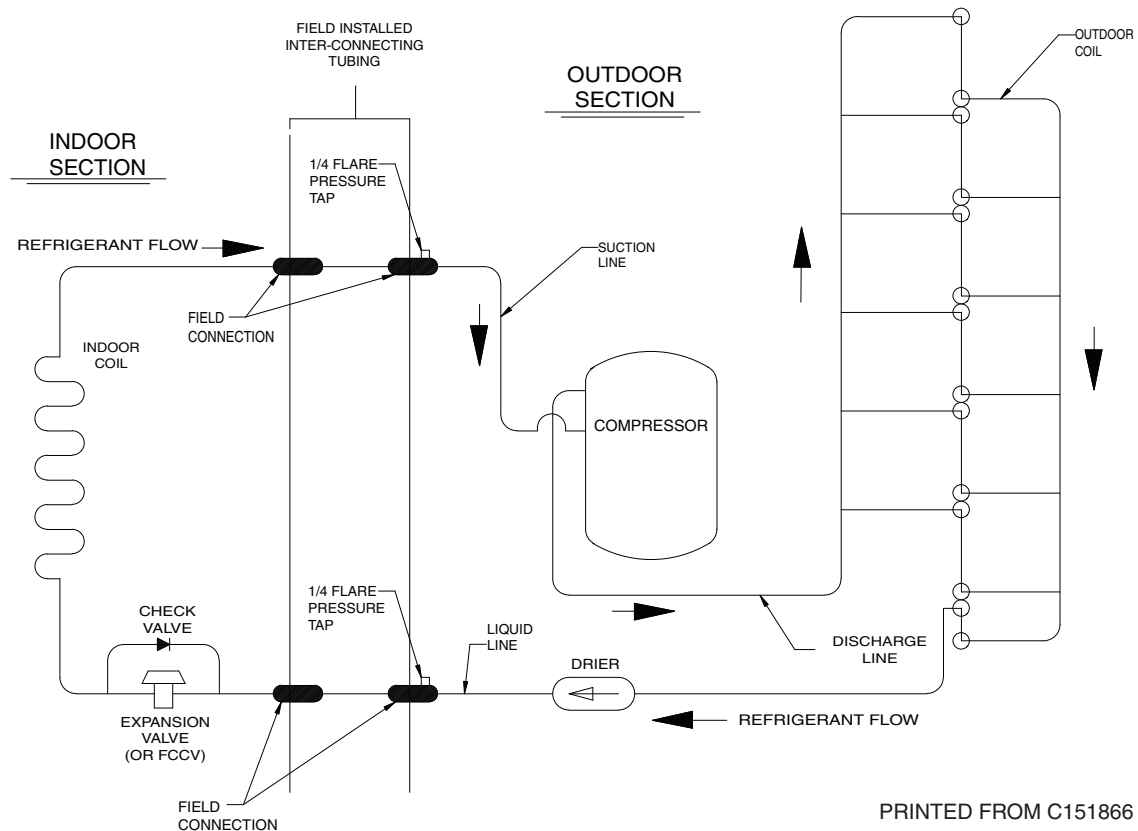
**Important:** Perform a final unit inspection to be sure that factory tubing has not shifted during shipment. Adjust tubing if necessary so tubes do not rub against each other when the unit runs. Also be sure that wiring connections are tight and properly secured.

### CHECKOUT PROCEDURE

After installation has been completed, it is recommended that the entire system be checked against the following list:

- |  |  |
|--|--|
| 1. Leak check refrigerant lines. .... [ ]  | 7. Be sure that indoor coil drain line drains freely. Pour water into drain pan..... [ ] |
| 2. Properly insulate suction lines..... [ ]  | 8. Be sure that supply registers and return grilles are open and unobstructed..... [ ]   |
| 3. Properly secure and isolate all refrigerant lines..... [ ]  | 9. Be sure that a return air filter is installed..... [ ]                                |
| 4. Seal passages through masonry.<br>If mortar is used, prevent mortar from coming into direct contact with copper tubing..... [ ] | 10. Be sure that the correct airflow setting is used. (Indoor blower motor) ..... [ ]    |
| 5. Verify that all electrical connections are tight..... [ ]   | 11. Operate complete system in each mode to ensure safe operation..... [ ]               |
| 6. Observe outdoor fan during on cycle for clearance and smooth operation..... [ ]   |  |

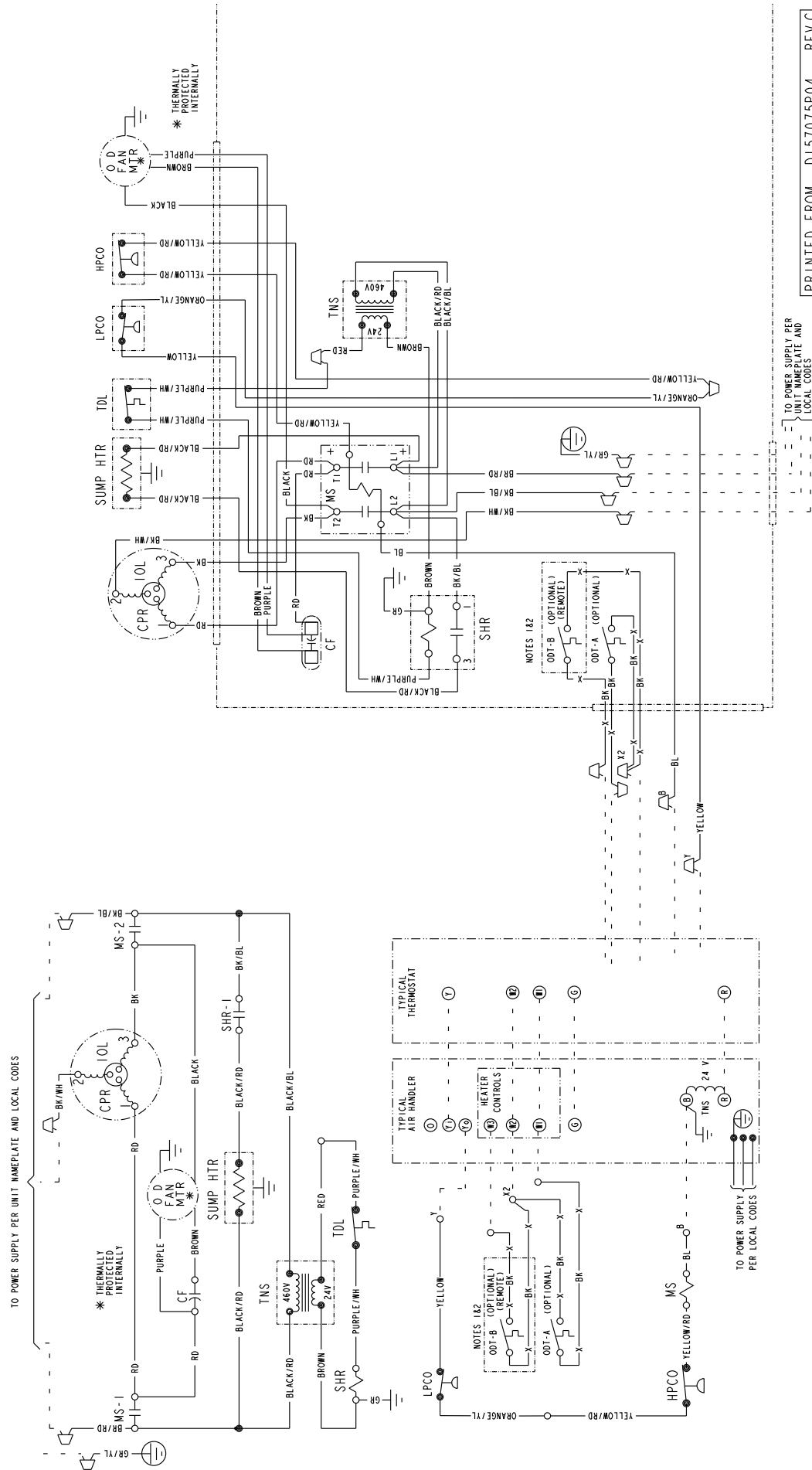
## Section 16. Refrigerant Circuits (reference only)







036B4 Models



PRINTED FROM DI57075P04 REV C



NOTES:

- IF ODT-B IS NOT USED, ADD JUMPER BETWEEN W2 & W3 AT AIR HANDLER.  
IF USED, ODT-B MUST BE MOUNTED REMOTE OF CONTROL BOX IN AN APPROVED WEATHER PROOF ENCLOSURE.
- IF ODT-A IS NOT USED, ADD JUMPER BETWEEN W1 & W2 AT AIR HANDLER.
- LOW VOLTAGE (24 V.) FIELD WIRING MUST BE 18 AWG MIN.

**NOTE**  
THREE PHASE MOTOR (S) FACTORY SUPPLIED IN THIS EQUIPMENT PROTECTED UNDER PRIMARY SINGLE-PHASE CONDITIONS.

## LEGEND - EQUIPMENT DIAGRAM

<p>— 24 V. } — LINE V. } FACTORY WIRING</p> <p>- - - 24 V. } - - - LINE V. } FIELD WIRING</p> <p>— X — FIELD INSTALLED FACTORY WIRING</p> <p> GROUND</p> <p> JUNCTION</p> <p> WIRE NUT OR CONNECTOR</p> <p> COIL</p> <p> CAPACITOR</p> <p> RELAY CONTACT (N.O.)</p> <p> RELAY CONTACT (N.C.)</p> <p> THERMISTOR</p> <p> INTERNAL OVERLOAD PROTECTOR</p> <p> PRESSURE ACTUATED SWITCH</p> <p> TEMP. ACTUATED SWITCH</p> <p> POL. PLUG FEMALE HOUSING (MALE TERM.)</p> <p> POL. PLUG MALE HOUSING (FEMALE TERM.)</p> <p> RESISTOR OR HEATING ELEMENT</p>	<p style="text-align: center;">COLOR OF WIRE</p> <p>BK/BL BLACK WIRE WITH BLUE MARKER</p> <p style="text-align: center;">COLOR OF MARKER</p> <table border="0" style="width: 100%;"> <tr> <td>BK</td><td>BLACK</td> <td>OR</td><td>ORANGE</td> <td>YL</td><td>YELLOW</td> </tr> <tr> <td>BL</td><td>BLUE</td> <td>RD</td><td>RED</td> <td>GR</td><td>GREEN</td> </tr> <tr> <td>BR</td><td>BROWN</td> <td>WH</td><td>WHITE</td> <td>PR</td><td>PURPLE</td> </tr> </table> <table border="0" style="width: 100%;"> <tr> <td>CA</td><td>COOLING ANTICIPATOR</td> </tr> <tr> <td>CBS</td><td>COIL BOTTOM SENSOR</td> </tr> <tr> <td>CF</td><td>FAN CAPACITOR</td> </tr> <tr> <td>CN</td><td>WIRE CONNECTOR</td> </tr> <tr> <td>CPR</td><td>COMPRESSOR</td> </tr> <tr> <td>CR</td><td>RUN CAPACITOR</td> </tr> <tr> <td>CS</td><td>STARTING CAPACITOR</td> </tr> <tr> <td>CSR</td><td>CAPACITOR SWITCHING RELAY</td> </tr> <tr> <td>DFC</td><td>DEFROST CONTROL</td> </tr> <tr> <td>F</td><td>INDOOR FAN RELAY</td> </tr> <tr> <td>HA</td><td>HEATING ANTICIPATOR</td> </tr> <tr> <td>HPCO</td><td>HIGH PRESSURE CUTOUT SW.</td> </tr> <tr> <td>IOL</td><td>INTERNAL OVERLOAD PROTECTOR</td> </tr> <tr> <td>LPCO</td><td>LOW PRESSURE CUTOUT SW.</td> </tr> <tr> <td>MS</td><td>COMPRESSOR MOTOR CONTACTOR</td> </tr> <tr> <td>ODA</td><td>OUTDOOR ANTICIPATOR</td> </tr> <tr> <td>OFT</td><td>OUTDOOR FAN THERMOSTAT</td> </tr> <tr> <td>ODS</td><td>OUTDOOR TEMPERATURE SENSOR</td> </tr> <tr> <td>ODT</td><td>OUTDOOR THERMOSTAT</td> </tr> <tr> <td>RHS</td><td>RESISTANCE HEAT SWITCH</td> </tr> <tr> <td>SC</td><td>SWITCHOVER VALVE SOLENOID</td> </tr> <tr> <td>SHR</td><td>SUMP HEAT RELAY</td> </tr> <tr> <td>SM</td><td>SYSTEM "ON-OFF" SWITCH</td> </tr> <tr> <td>TDL</td><td>DISCHARGE LINE THERMOSTAT</td> </tr> <tr> <td>TNS</td><td>TRANSFORMER</td> </tr> <tr> <td>TS</td><td>HEATING-COOLING THERMOSTAT</td> </tr> <tr> <td>TSH</td><td>HEATING THERMOSTAT</td> </tr> <tr> <td></td><td>MOTOR WINDING</td> </tr> <tr> <td></td><td>TERMINAL</td> </tr> </table>	BK	BLACK	OR	ORANGE	YL	YELLOW	BL	BLUE	RD	RED	GR	GREEN	BR	BROWN	WH	WHITE	PR	PURPLE	CA	COOLING ANTICIPATOR	CBS	COIL BOTTOM SENSOR	CF	FAN CAPACITOR	CN	WIRE CONNECTOR	CPR	COMPRESSOR	CR	RUN CAPACITOR	CS	STARTING CAPACITOR	CSR	CAPACITOR SWITCHING RELAY	DFC	DEFROST CONTROL	F	INDOOR FAN RELAY	HA	HEATING ANTICIPATOR	HPCO	HIGH PRESSURE CUTOUT SW.	IOL	INTERNAL OVERLOAD PROTECTOR	LPCO	LOW PRESSURE CUTOUT SW.	MS	COMPRESSOR MOTOR CONTACTOR	ODA	OUTDOOR ANTICIPATOR	OFT	OUTDOOR FAN THERMOSTAT	ODS	OUTDOOR TEMPERATURE SENSOR	ODT	OUTDOOR THERMOSTAT	RHS	RESISTANCE HEAT SWITCH	SC	SWITCHOVER VALVE SOLENOID	SHR	SUMP HEAT RELAY	SM	SYSTEM "ON-OFF" SWITCH	TDL	DISCHARGE LINE THERMOSTAT	TNS	TRANSFORMER	TS	HEATING-COOLING THERMOSTAT	TSH	HEATING THERMOSTAT		MOTOR WINDING		TERMINAL
BK	BLACK	OR	ORANGE	YL	YELLOW																																																																								
BL	BLUE	RD	RED	GR	GREEN																																																																								
BR	BROWN	WH	WHITE	PR	PURPLE																																																																								
CA	COOLING ANTICIPATOR																																																																												
CBS	COIL BOTTOM SENSOR																																																																												
CF	FAN CAPACITOR																																																																												
CN	WIRE CONNECTOR																																																																												
CPR	COMPRESSOR																																																																												
CR	RUN CAPACITOR																																																																												
CS	STARTING CAPACITOR																																																																												
CSR	CAPACITOR SWITCHING RELAY																																																																												
DFC	DEFROST CONTROL																																																																												
F	INDOOR FAN RELAY																																																																												
HA	HEATING ANTICIPATOR																																																																												
HPCO	HIGH PRESSURE CUTOUT SW.																																																																												
IOL	INTERNAL OVERLOAD PROTECTOR																																																																												
LPCO	LOW PRESSURE CUTOUT SW.																																																																												
MS	COMPRESSOR MOTOR CONTACTOR																																																																												
ODA	OUTDOOR ANTICIPATOR																																																																												
OFT	OUTDOOR FAN THERMOSTAT																																																																												
ODS	OUTDOOR TEMPERATURE SENSOR																																																																												
ODT	OUTDOOR THERMOSTAT																																																																												
RHS	RESISTANCE HEAT SWITCH																																																																												
SC	SWITCHOVER VALVE SOLENOID																																																																												
SHR	SUMP HEAT RELAY																																																																												
SM	SYSTEM "ON-OFF" SWITCH																																																																												
TDL	DISCHARGE LINE THERMOSTAT																																																																												
TNS	TRANSFORMER																																																																												
TS	HEATING-COOLING THERMOSTAT																																																																												
TSH	HEATING THERMOSTAT																																																																												
	MOTOR WINDING																																																																												
	TERMINAL																																																																												

FOR CANADIAN INSTALLATIONS  
POUR INSTALLATIONS CANADIENNES

CAUTION: NOT SUITABLE FOR USE ON SYSTEMS EXCEEDING 150V - TO - GROUND  
ATTENTION: NE CONVIENT PAS AUX INSTALLATIONS DE PLS DE 150 V A LA TERRE

COOLING PERFORMANCE CAN BE CHECKED WHEN THE OUTDOOR TEMP IS ABOVE 65 DEG F.

- TO CHECK COOLING PERFORMANCE, SELECT AND VERIFY THE PROPER INDOOR CFM.
- ALLOW SYSTEM TO RUN UNTIL PRESSURES ARE STABILIZED.
- MEASURE INDOOR WET BULB TEMPERATURE, OUTDOOR TEMPERATURE, SUCTION AND LIQUID PRESSURES.
- ON THE TABLE, LOCATE OUTDOOR TEMPERATURE AND INDOOR WET BULB TEMPERATURE.
- FIND THE INTERSECTION WITH THE COLUMN THAT CONTAINS THE OUTDOOR SIZE.
- TARGET PRESSURES ARE LOCATED AT THE INTERSECTION BETWEEN OUTDOOR SIZE AND OPERATING TEMPERATURES.

ACTUAL:  
LIQUID PRESSURE SHOULD BE +/- 10 PSI OF TABLE  
SUCTION PRESSURE SHOULD BE +/- 3 PSI OF TABLE

**⚠ WARNING**

HAZARDOUS VOLTAGE!  
DISCONNECT ALL ELECTRIC POWER INCLUDING REMOTE DISCONNECTS BEFORE SERVICING.  
FAILURE TO DISCONNECT POWER BEFORE SERVICING CAN CAUSE SEVERE PERSONAL INJURY OR DEATH!

**⚠ CAUTION**

USE COPPER CONDUCTORS ONLY!  
UNIT TERMINALS ARE NOT DESIGNED TO ACCEPT OTHER TYPES OF CONDUCTORS.  
FAILURE TO DO SO MAY CAUSE DAMAGE TO THE EQUIPMENT!

# Section 18. Pressure Curves

COOLING PERFORMANCE CAN BE CHECKED WHEN THE OUTDOOR TEMP IS ABOVE 65 DEG F.

TO CHECK COOLING PERFORMANCE, SELECT THE PROPER INDOOR CFM, ALLOW PRESSURES TO STABILIZE. MEASURE INDOOR WET BULB TEMPERATURE, OUTDOOR TEMPERATURE, LIQUID AND SUCTION PRESSURES. ON THE PLOTS LOCATE OUTDOOR TEMPERATURE (1);

LOCATE INDOOR WET BULB (2); FIND INTERSECTION OF OD TEMP. & ID W.B. (3); READ LIQUID (4) OR SUCTION (5) PRESSURE IN LEFT COLUMN.

EXAMPLE: (1) OUTDOOR TEMP. 82 F.

(2) INDOOR WET BULB 67 F.

(3) AT INTERSECTION

(4) LIQUID PRESSURE @ 600 CFM IS 304 PSIG

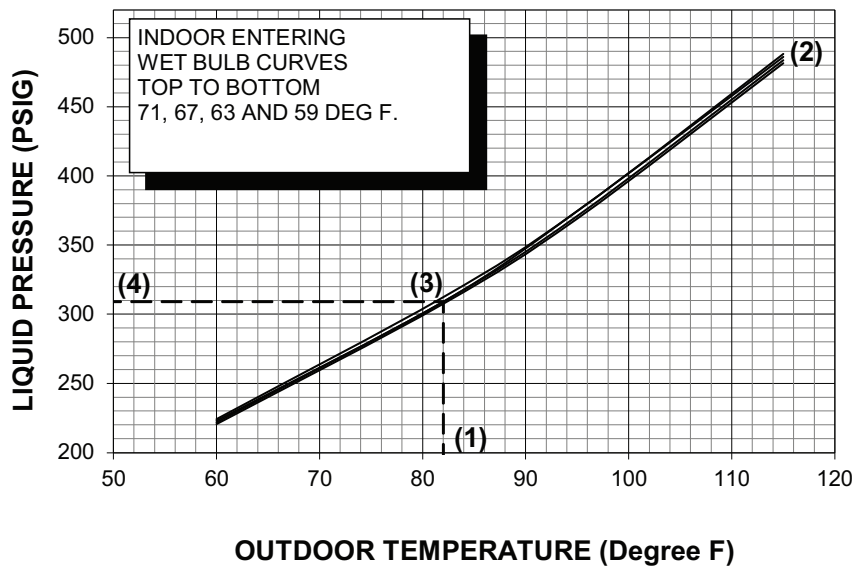
(5) SUCTION PRESSURE @ 600 CFM IS 145 PSIG

ACTUAL:

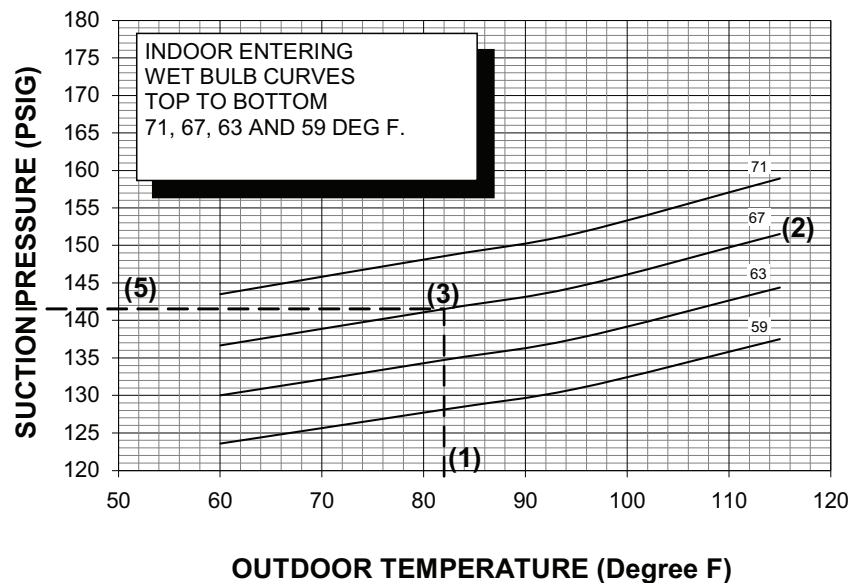
LIQUID PRESSURE SHOULD BE +/- 10 PSI OF CHART

SUCTION PRESSURE SHOULD BE +/- 3 PSIG OF CHART

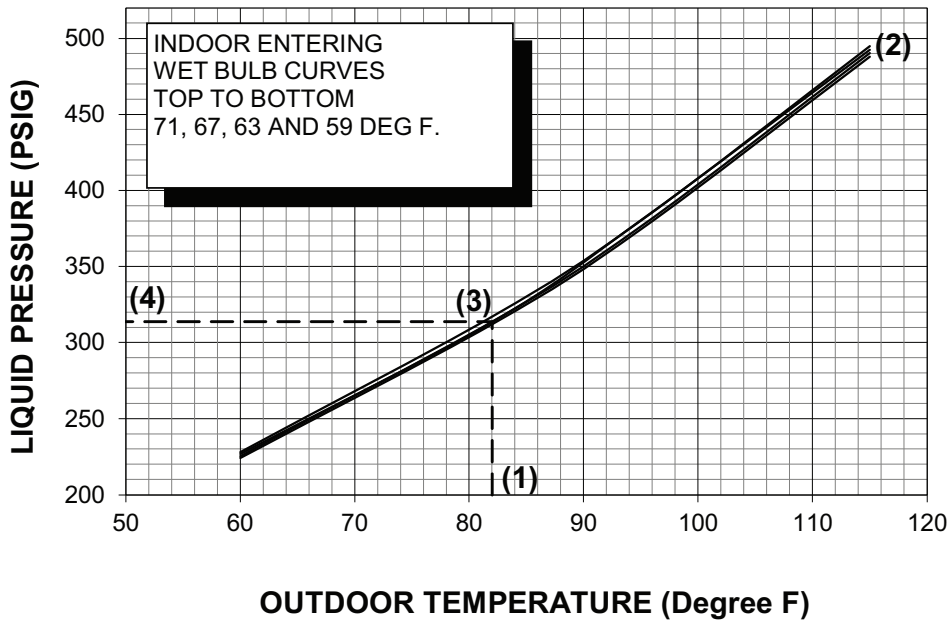
**PRESSURE CURVES (Refer below table for models)**



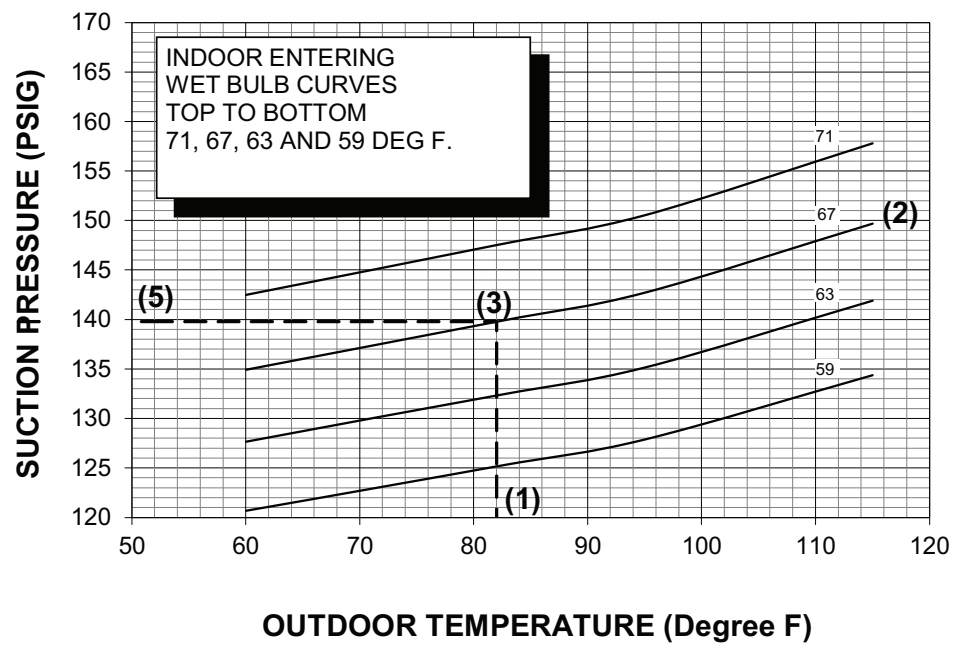
OD Model	Cooling @SCFM
4TTA3036B3	1100
4TTA3042D3	1300
4TTA3036B4	1100
4TTA3042D4	1300



### PRESSURE CURVES (Refer below table for models)



OD Model	Cooling @SCFM
4TTA3048D3	1400
4TTA3060D3	1600
4TTA3048D4	1400
4TTA3060D4	1600





Trane - by Trane Technologies (NYSE: TT), a global climate innovator - creates comfortable, energy efficient indoor environments for commercial and residential applications. For more information, please visit [trane.com](http://trane.com) or [tranetechnologies.com](http://tranetechnologies.com).



The AHRI Certified mark indicates Trane U.S. Inc. participation in the AHRI Certification program. For verification of individual certified products, go to [ahridirectory.org](http://ahridirectory.org).

Trane has a policy of continuous data improvement and it reserves the right to change design and specifications without notice. We are committed to using environmentally conscious print practices.