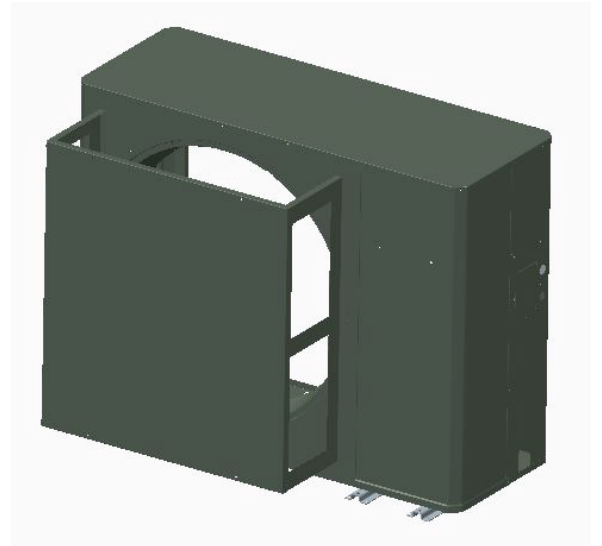


Installer's Guide

WIND BAFFLE KIT

For use with Side Discharge Models

BAYWIND100
BAYWIND101
BAYWIND102
BAYWIND103



Note: "Graphics in this document are for representation only. Actual model may differ in appearance."

▲ SAFETY WARNING

Only qualified personnel should install and service the equipment. The installation, starting up, and servicing of heating, ventilating, and air-conditioning equipment can be hazardous and requires specific knowledge and training. Improperly installed, adjusted or altered equipment by an unqualified person could result in death or serious injury. When working on the equipment, observe all precautions in the literature and on the tags, stickers, and labels that are attached to the equipment.

SAFETY SECTION

Important — This document contains service information. This is customer property and is to remain with this unit. Please return to service information pack upon completion of work.

⚠ WARNING

HAZARDOUS VOLTAGE!

Failure to follow this Warning could result in property damage, severe personal injury, or death.

Disconnect all electric power, including remote disconnects before servicing. Follow proper lockout/tagout procedures to ensure the power cannot be inadvertently energized.

General Data

MASTER KIT CONTENT:

1. Baffle — Qty 1
2. #12 Screws — Qty. 8

INSPECTION:

Check carefully for any shipping damage. This must be reported to and claims made against the transportation company immediately. Any missing parts should be reported to your supplier at once and replaced with authorized parts only.

INSTALLATION:

1. Position baffle on front face of unit over the fan grille in the position shown in Figure 1. Base 3 cabinet sizes are for 23" fan diameters. Base 4 cabinet sizes are for 27.5" fan diameters.

Notes:

1. *Outdoor unit should not be installed in an orientation site where the wind blows directly at the back of the unit.*
2. *Wind baffle should not be used where there is any obstacle at either side or above the outdoor unit as the discharged air will be blocked.*
3. *This wind baffle is not meant to be a noise or hot air reduction device.*

Table 1. Wind Baffle Kit vs Side Discharge Models

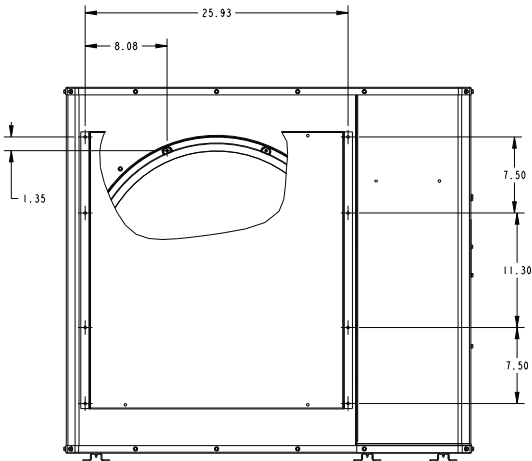
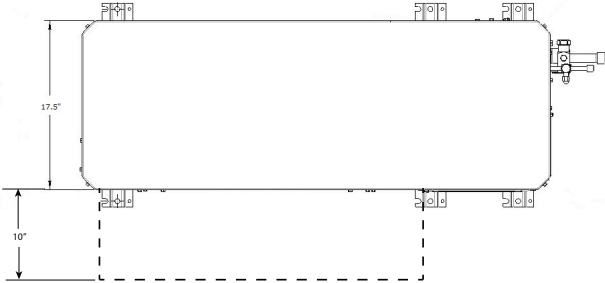
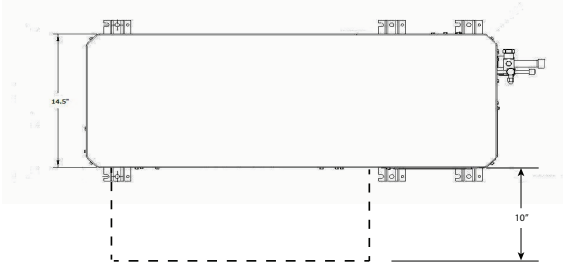
WIND BAFFLE KIT	SERIES	BASE	MODELS	BRAND
BAYWIND100	XV19	3	4TWL6018A	TRANE
			4TWL6024A	
			4TTL6018A	
			4TTL6024A	
			4TTL6030A	
BAYWIND101	XV19	4	4TWL6030A	
			4TWL6036A	
			4TWL6042A	
			4TWL6048A	
			4TWL6060A	
			4TWL9024A	
			4TWL9036A	
			4TWL9048A	
			4TWL9060A	
			4TTL6036A	
			4TTL6042A	
			4TTL6048A	
			4TTL6060A	

General Data

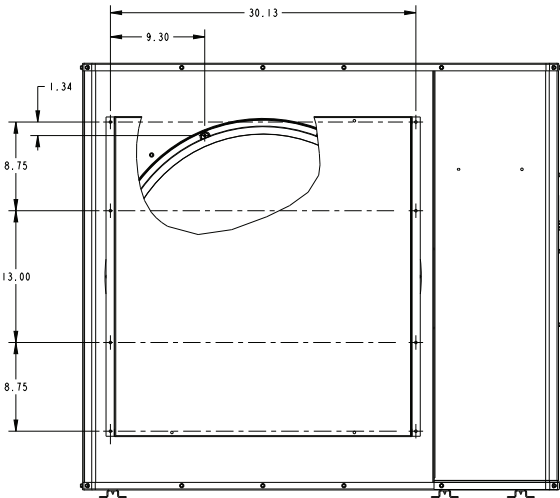
Table 1. Wind Baffle Kit vs Side Discharge Models (continued)

BAYWIND102	PLATINUM 19	3	4A6L6018A	AMERICAN STANDARD
			4A6L6024A	
			4A7L6018A	
			4A7L6024A	
			4A7L6030A	
BAYWIND103	PLATINUM 19	4	4A6L6030A	
			4A6L6036A	
			4A6L6042A	
			4A6L6048A	
			4A6L6060A	
			4A6L69024A	
			4A6L69036A	
			4A6L69048A	
			4A6L69060A	
			4A7L6036A	
4A7L6042A				
4A7L6048A				
4A7L6060A				

FIGURE ONE
(Installed per Base Size)



BASE 3 CABINET



BASE 4 CABINET

About Trane and American Standard Heating and Air Conditioning

Trane and American Standard create comfortable, energy efficient indoor environments for residential applications. For more information, please visit www.trane.com or www.americanstandardair.com.

The manufacturer has a policy of continuous data improvement and it reserves the right to change design and specifications without notice. We are committed to using environmentally conscious print practices.