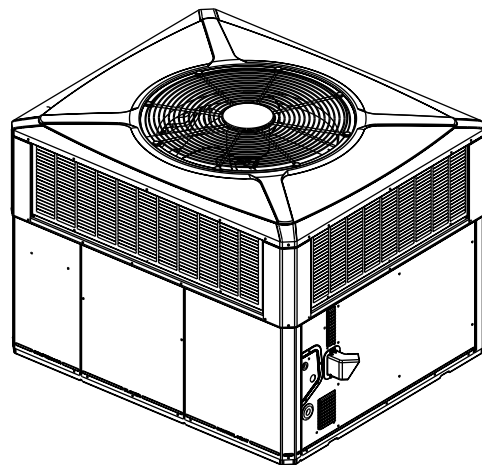


Installation, Operation, and Maintenance

Single Packaged Gas/Electric Choice, Convertible, 2 to 5 Ton, R-454B

5YCC4024A1060A
5YCC4030A1070A
5YCC4036A1070A
5YCC4036A1090A
5YCC4042A1060A
5YCC4042A1090A
5YCC4048A1070A
5YCC4048A1090A
5YCC4060A1090A
5YCC4060A1090B
5YCC4060A1115A
5YCC4036A3070A
5YCC4036A3090A
5YCC4048A3070A
5YCC4048A3090A
5YCC4060A3115A
5YCC4036A4070A
5YCC4036A4090A
5YCC4048A4070A
5YCC4048A4090A
5YCC4060A4115A



*Note: Graphics in this document are for representation only.
Actual model may differ in appearance.*



⚠ SAFETY WARNING

Only qualified personnel should install and service the equipment. The installation, starting up, and servicing of heating, ventilating, and air-conditioning equipment can be hazardous and requires specific knowledge and training. Improperly installed, adjusted or altered equipment by an unqualified person could result in death or serious injury. When working on the equipment, observe all precautions in the literature and on the tags, stickers, and labels that are attached to the equipment.

Introduction

Read this manual thoroughly before operating or servicing this unit.

This document is customer property and is to remain with this unit. Return to the service information pack upon completion of work.

Warnings, Cautions, and Notices

Safety advisories appear throughout this manual as required. Your personal safety and the proper operation of this machine depend upon the strict observance of these precautions.

The three types of advisories are defined as follows:



WARNING

Indicates a potentially hazardous situation which, if not avoided, could result in death or serious injury.



CAUTION

Indicates a potentially hazardous situation which, if not avoided, could result in minor or moderate injury. It could also be used to alert against unsafe practices.

NOTICE

Indicates a situation that could result in equipment or property-damage only accidents.

Important Environmental Concerns

Scientific research has shown that certain man-made chemicals can affect the earth's naturally occurring stratospheric ozone layer when released to the atmosphere. In particular, several of the identified chemicals that may affect the ozone layer are refrigerants that contain Chlorine, Fluorine and Carbon (CFCs) and those containing Hydrogen, Chlorine, Fluorine and Carbon (HCFCs). Not all refrigerants containing these compounds have the same potential impact to the environment. Trane advocates the responsible handling of all refrigerants.

Important Responsible Refrigerant Practices

Trane believes that responsible refrigerant practices are important to the environment, our customers, and the air conditioning industry. All technicians who handle refrigerants must be certified according to local rules. For the USA, the Federal Clean Air Act (Section 608) sets forth the requirements for handling, reclaiming, recovering and recycling of certain refrigerants and the equipment that is used in these service procedures. In addition, some states or municipalities may have additional requirements that must also be adhered to for responsible management of refrigerants. Know the applicable laws and follow them.

⚠ WARNING

Proper Field Wiring and Grounding Required!

Failure to follow code could result in death or serious injury.

All field wiring **MUST** be performed by qualified personnel. Improperly installed and grounded field wiring poses **FIRE** and **ELECTROCUTION** hazards. To avoid these hazards, you **MUST** follow requirements for field wiring installation and grounding as described in **NEC** and your local/state/national electrical codes.

⚠ WARNING

Personal Protective Equipment (PPE) Required!

Failure to wear proper PPE for the job being undertaken could result in death or serious injury.

Technicians, in order to protect themselves from potential electrical, mechanical, and chemical hazards, **MUST** follow precautions in this manual and on the tags, stickers, and labels, as well as the instructions below:

- **Before installing/servicing this unit, technicians MUST put on all PPE required for the work being undertaken (Examples; cut resistant gloves/sleeves, butyl gloves, safety glasses, hard hat/bump cap, fall protection, electrical PPE and arc flash clothing). ALWAYS refer to appropriate Safety Data Sheets (SDS) and OSHA guidelines for proper PPE.**
- **When working with or around hazardous chemicals, ALWAYS refer to the appropriate SDS and OSHA/GHS (Global Harmonized System of Classification and Labelling of Chemicals) guidelines for information on allowable personal exposure levels, proper respiratory protection and handling instructions.**
- **If there is a risk of energized electrical contact, arc, or flash, technicians MUST put on all PPE in accordance with OSHA, NFPA 70E, or other country-specific requirements for arc flash protection, PRIOR to servicing the unit. NEVER PERFORM ANY SWITCHING, DISCONNECTING, OR VOLTAGE TESTING WITHOUT PROPER ELECTRICAL PPE AND ARC FLASH CLOTHING. ENSURE ELECTRICAL METERS AND EQUIPMENT ARE PROPERLY RATED FOR INTENDED VOLTAGE.**

⚠ WARNING**Follow EHS Policies!**

Failure to follow instructions below could result in death or serious injury.

- All Trane personnel must follow the company's Environmental, Health and Safety (EHS) policies when performing work such as hot work, electrical, fall protection, lockout/tagout, refrigerant handling, etc. Where local regulations are more stringent than these policies, those regulations supersede these policies.
- Non-Trane personnel should always follow local regulations.

⚠ WARNING**Cancer and Reproductive Harm!**

This product can expose you to chemicals, including lead, which are known to the State of California to cause cancer and birth defects or other reproductive harm. For more information go to www.P65Warnings.ca.gov.

⚠ WARNING**Safety Hazard!**

Failure to follow instructions below could result in death or serious injury or property damage.

This unit is not to be used by persons (including children) with reduced physical, sensory, or mental capabilities, or lack of experience and knowledge, unless they have been given supervision or instruction concerning the use of the appliance by a person responsible for their safety.

Do not allow children to play or climb on the unit or to clean or maintain the unit without supervision.

⚠ WARNING**Hazardous Voltage!**

Failure to disconnect power before servicing could result in death or serious injury.

Disconnect all electric power, including remote disconnects before servicing. Follow proper lockout/tagout procedures to ensure the power can not be inadvertently energized. Verify that no power is present with a voltmeter.

⚠ WARNING**Safety and Electrical Hazard!**

Failure to follow instructions below could result in death or serious injury or property damage.

All servicing **MUST** be performed by qualified personnel only based on the operating instructions provided.

⚠ WARNING**Grounding Required!**

Failure to follow instructions below could result in death or serious injury, or property damage.

- Reconnect all grounding devices.
- All parts of this product that are capable of conducting electrical current are grounded.
- If grounding wires, screws, straps, clips, nuts, or washers used to complete a path to ground are removed for service, they must be returned to their original position and properly fastened.

⚠ WARNING**Risk of Fire — Flammable Refrigerant!**

Failure to follow instructions below could result in death or serious injury, and equipment damage.

- To be repaired only by trained service personnel.
- Do not puncture refrigerant tubing.
- Dispose of properly in accordance with federal or local regulations.

⚠ WARNING**Safety Hazard!**

Failure to operate the unit without the access panels properly installed could result in death or serious injury.

Do not operate the unit without the evaporator fan access panel or evaporator coil access panel in place. Reinstall the access panels after performing maintenance procedures on the fan.

⚠ WARNING**Leak Detection System Installed!**

Failure to follow instructions below could result in death or serious injury or equipment damage.

The unit is equipped with electrically powered safety measures and must be powered at all times after installation, except during servicing, to detect any leak.

⚠ CAUTION

Sharp Edges!

Failure to follow instructions below could result in minor to moderate injury.

The service procedure described in this document involves working around sharp edges. To avoid being cut, technicians **MUST** put on all necessary Personal Protective Equipment (PPE), including gloves and arm guards.

⚠ CAUTION

Unit Contains R-454B Refrigerant!

Failure to use proper service tools may result in equipment damage or personal injury.

Use only R-454B refrigerant and approved compressor oil.

Copyright

This document and the information in it are the property of Trane, and may not be used or reproduced in whole or in part without written permission. Trane reserves the right to revise this publication at any time, and to make changes to its content without obligation to notify any person of such revision or change.

Trademark

All trademarks referenced in this document are the trademarks of their respective owners.

Revision History

- Added model 5YCC4060A1090B.
- Updated Product specifications tables.
- Added Airflow table for model 5YCC4060A*(090)B.

Table of Contents

Information on Servicing	6	Rooftop Installation — Frame	
Prior to Beginning Work	6	Mounting	27
Repairs to Electrical Components	6	Rooftop Installation — No Curb/Frame	28
Detection of Flammable Refrigerants	6	Ductwork Installation	31
Removal and Evacuation	7	Attaching Downflow Ductwork to Roof	
Charging Procedures	7	Curb	31
Recovery	7	Attaching Downflow Ductwork to Roof	
Decommissioning	8	Frame	31
Introduction, Unit Inspection, and		Gas Valve Adjustment	33
Specification	9	High Altitude Installation	37
Introduction	9	Air Filter Installation	38
Inspect Shipment	9	Electrical Wiring	39
Product Specifications	9	Unit Start-Up	41
Charging in Cooling above 55°F OD		Pre-Start Quick Checklist	41
Ambient	17	Starting the Unit in Cooling Mode	41
Dimensional Data	19	Starting the Unit in Heating Mode	41
Review Location and Recommendation		Sequence of Operation	42
Information	22	Final Installation Checklist	43
Horizontal Airflow Units	22	Verification of Mitigation Actions	43
Clearances	22	Maintenance	44
Down Airflow Units	22	Service Maintenance	44
Clearances	23	Pressure Curves	46
Refrigerant Leak Detection System	24	Indoor Fan Performance (230v)	48
Unit Installation	25	Wiring Diagram	55
Ground Level Installation	25	Refrigerant Circuit	67
Rooftop Installation - Curb Mounting	25	Troubleshooting	68
Lifting and Rigging	26	Important Product Information	69
Vibration isolators / snow feet			
locations	27		

Information on Servicing

All replacement parts shall be in accordance with the manufacturer's specifications.

Prior to Beginning Work

Prior to beginning work on systems containing flammable refrigerants, safety checks are necessary to ensure that the risk of ignition is minimized. For repair to the refrigerating system, the following shall be completed prior to conducting work on the system:

- Work shall be undertaken under a controlled procedure to minimize the risk of a flammable gas or vapor being present while the work is being performed.
- All maintenance staff and others working in the local area shall be instructed on the nature of work being carried out. Work in confined spaces shall be avoided.
- The area shall be checked with an appropriate refrigerant detector prior to and during work, to ensure the technician is aware of potentially toxic or flammable atmospheres. Ensure that the leak detection equipment being used is suitable for use with all applicable refrigerants, i.e., non-sparking, adequately sealed or intrinsically safe.
- If any hot work is to be conducted on the refrigerating equipment or any associated parts, appropriate fire extinguishing equipment shall be available to hand. Have a dry powder or CO₂ fire extinguisher adjacent to the charging area.
- No person carrying out work in relation to a refrigerating system which involves exposing any pipe work shall use any sources of ignition in such a manner that it may lead to the risk of fire or explosion. All possible ignition sources, including cigarette smoking, should be kept sufficiently far away from the site of installation, repairing, removing and disposal, during which refrigerant can possibly be released to the surrounding space. Prior to work taking place, the area around the equipment is to be surveyed to make sure that there are no flammable hazards or ignition risks. No Smoking signs shall be displayed.
- Ensure that the area is in the open or that it is adequately ventilated before breaking into the system or conducting any hot work. A degree of ventilation shall continue during the period that the work is carried out. The ventilation should safely disperse any released refrigerant and preferably expel it externally into the atmosphere.
- The following checks shall be applied to installations using flammable refrigerants:
 - Marking to the equipment continues to be visible and legible. Markings and signs that are illegible shall be corrected;
 - Refrigerating pipe or components are installed in a position where they are unlikely to be exposed to

any substance which may corrode refrigerant containing components, unless the components are constructed of materials which are inherently resistant to being corroded or are suitably protected against being so corroded.

Repairs to Electrical Components

Where electrical components are being changed, they shall be fit for the purpose and to the correct specification. At all times the manufacturer's maintenance and service guidelines shall be followed. If in doubt, consult the manufacturer's technical department for assistance.

Repair and maintenance to electrical components shall include initial safety checks and component inspection procedures. If a fault exists that could compromise safety, then no electrical supply shall be connected to the circuit until it is satisfactorily dealt with. If the fault cannot be corrected immediately but it is necessary to continue operation, an adequate temporary solution shall be used. This shall be reported to the owner of the equipment, so all parties are advised.

Initial safety checks shall include:

- That capacitors are discharged; this shall be done in a safe manner to avoid possibility of sparking;
- That no live electrical components and wiring are exposed while charging, recovering or purging the system;
- That there is continuity of earth bonding.

Check that cabling will not be subject to wear, corrosion, excessive pressure, vibration, sharp edges or any other adverse environmental effects. The check shall also take into account the effects of aging or continual vibration from sources such as compressors or fans.

Detection of Flammable Refrigerants

Under no circumstances shall potential sources of ignition be used in the searching for or detection of refrigerant leaks. A halide torch (or any other detector using a naked flame) shall not be used.

The following leak detection method is deemed acceptable for all refrigerant systems:

- Electronic leak detectors may be used to detect refrigerant leaks but, in the case of flammable refrigerants, the sensitivity may not be adequate, or may need re-calibration. (Detection equipment shall be calibrated in a refrigerant-free area.) Ensure that the detector is not a potential source of ignition and is suitable for the refrigerant used. Leak detection equipment shall be set at a percentage of the LFL of

the refrigerant and shall be calibrated to the refrigerant employed, and the appropriate percentage of gas (25 % maximum) is confirmed.

Important: *The following leak detection methods are deemed acceptable for all refrigerant systems: Electronic leak detectors calibrated for R-454B (with a sensitivity of 5 grams/year)*

- Leak detection fluids are also suitable for use with most refrigerants but the use of detergents containing chlorine shall be avoided as the chlorine may react with the refrigerant and corrode the copper pipe-work.

Example of leak detection fluids are:

- Bubble method,
- Fluorescent method agents

If a leak is suspected, all naked flames shall be removed/ extinguished.

If a leakage of refrigerant is found which requires brazing, all of the refrigerant shall be recovered from the system, or isolated (by means of shut-off valves) in a part of the system remote from the leak.

Removal and Evacuation

When breaking into the refrigerant circuit to make repairs - or for any other purpose - conventional procedures shall be used. However, for flammable refrigerants it is important that best practice be followed, since flammability is a consideration. The following procedure shall be adhered to:

- Safely remove refrigerant following local and national regulations;
- Evacuate;
- Purge the circuit with inert gas;
- Evacuate;
- Continuously flush or purge with inert gas when using flame to open circuit;
- And open the circuit.

The refrigerant charge shall be recovered into the correct recovery cylinders if venting is not allowed by local and national codes. For appliances containing flammable refrigerants, the system shall be purged with oxygen-free nitrogen to render the appliance safe for flammable refrigerants.

This process might need to be repeated several times. Compressed air or oxygen shall not be used for purging refrigerant systems.

For appliances containing flammable refrigerants, refrigerants purging shall be achieved by breaking the vacuum in the system with oxygen-free nitrogen and continuing to fill until the working pressure is achieved, then venting to atmosphere, and finally pulling down to a vacuum. This process shall be repeated until no refrigerant is within the system. When the final oxygen-free nitrogen charge is used, the system shall be vented down to atmospheric pressure to enable work to take place.

The outlet for the vacuum pump shall not be close to any potential ignition sources, and ventilation shall be available.

Charging Procedures

In addition to conventional charging procedures, the following requirements shall be followed.

- Ensure that contamination of different refrigerants does not occur when using charging equipment. Hoses or lines shall be as short as possible to minimise the amount of refrigerant contained in them.
- Cylinders shall be kept in an appropriate position according to the instructions.
- Ensure that the refrigerating system is earthed prior to charging the system with refrigerant.
- Label the system when charging is complete (if not already).
- Extreme care shall be taken not to overfill the refrigerating system.

Prior to recharging the system, it shall be pressure-tested with the appropriate purging gas. The system shall be leak-tested on completion of charging but prior to commissioning. A follow up leak test shall be carried out prior to leaving the site.

Important: *The unit should not be tested higher than 450 psig for servicing or component replacement.*

See installation instructions below for further details.

Recovery

When removing refrigerant from a system, either for servicing or decommissioning, it is recommended good practice that all refrigerants are removed safely.

When transferring refrigerant into cylinders, ensure that only appropriate refrigerant recovery cylinders are employed. Ensure that the correct number of cylinders for holding the total system charge is available. All cylinders to be used are designated for the recovered refrigerant and labelled for that refrigerant (i.e., special cylinders for the recovery of refrigerant). Cylinders shall be complete with pressure-relief valve and associated shut-off valves in good working order. Empty recovery cylinders are evacuated and, if possible, cooled before recovery occurs.

The recovery equipment shall be in good working order with a set of instructions concerning the equipment that is at hand and shall be suitable for the recovery of the flammable refrigerant. If in doubt, the manufacturer should be consulted. In addition, a set of calibrated weighing scales shall be available and in good working order. Hoses shall be complete with leak-free disconnect couplings and in good condition.

The recovered refrigerant shall be processed according to local legislation in the correct recovery cylinder, and the relevant waste transfer note arranged. Do not mix refrigerants in recovery units and especially not in cylinders.

If compressors or compressor oils are to be removed, ensure that they have been evacuated to an acceptable level to make certain that flammable refrigerant does not remain within the lubricant. The compressor body shall not be heated by an open flame or other ignition sources to accelerate this process. When oil is drained from a system, it shall be carried out safely.

Decommissioning

Before carrying out this procedure, it is essential that the technician is completely familiar with the equipment and all its detail. It is recommended good practice that all refrigerants are recovered safely. Prior to the task being carried out, an oil and refrigerant sample shall be taken in case analysis is required prior to re-use of recovered refrigerant. It is essential that electrical power is available before the task is commenced.

1. Become familiar with the equipment and its operation.
2. Isolate system electrically.
3. Before attempting the procedure, ensure that:
 - a. Mechanical handling equipment is available, if required, for handling refrigerant cylinders;
 - b. All personal protective equipment is available and being used correctly;
 - c. The recovery process is supervised at all times by a competent person;
 - d. Recovery equipment and cylinders conform to the

appropriate standards.

4. Pump down refrigerant system, if possible.
5. If a vacuum is not possible, make a manifold so that refrigerant can be removed from various parts of the system.
6. Make sure that cylinder is situated on the scales before recovery takes place.
7. Start the recovery machine and operate in accordance with instructions.
8. Do not overfill cylinders (no more than 80 % volume liquid charge).
9. Do not exceed the maximum working pressure of the cylinder, even temporarily.
10. When the cylinders have been filled correctly and the process completed, make sure that the cylinders and the equipment are removed from site promptly and all isolation valves on the equipment are closed off.
11. Recovered refrigerant shall not be charged into another refrigerating system unless it has been cleaned and checked.

Equipment shall be labelled stating that it has been decommissioned and emptied of refrigerant. The label shall be dated and signed. For appliances containing flammable refrigerant, ensure that there are labels on the equipment stating the equipment contains flammable refrigerant.

Introduction, Unit Inspection, and Specification

Introduction

Read this manual carefully before attempting to install, operate, or perform maintenance on this unit. Installation and maintenance should be performed by qualified service technicians only. This unit is listed by Underwriters Laboratory. DO NOT use this furnace for temporary heating of buildings under construction.

As shipped from the factory, this unit is for use with natural gas only. It is listed by Underwriters Laboratory. An LPG conversion kit is available. A high altitude installation kit of additional orifice sizes is available. Extreme mounting kits for slab and curbs are also available.

Packaged units are designed for outdoor mounting with a vertical condenser discharge. They can be located either at ground level or on a roof in accordance with local codes or National Fuel Gas Code (ANSI-Z223.1A) Latest Revision. Since these units are designed exclusively for outdoor operation, additional flue venting systems are not required. Each unit contains an operating charge of refrigerant as shipped.

Extreme mounting kits are available for slab (BAYEXMK003), utility curb (BAYEXMK002), and perimeter curb (BAYEXMK001) mountings.

2. Check the unit's nameplate to determine if the unit is correct for the intended application. The power supply must be adequate for both the unit and all accessories.
3. Check to be sure the refrigerant charge has been retained during shipment. Remove the Compressor access panel to access the 1/4-in. flare pressure taps.
4. The Flue Hood is included with the unit's literature pack.
5. If this unit is being installed on a curb, verify that the correct curb is provided with the unit.
 - 5YCC4024–4036 use model BAYCURB050
 - 5YCC4042–4060 use model BAYCURB051
6. If the unit is being hoisted, accessory kit BAYLIFT002 is recommended. It includes a kit of four (4) lifting lugs and instructions.

Notes:

- *If practical, install any internal accessories to the unit at the shop.*
- *The packaged units have been evaluated in accordance with the Code of Federal Regulations, Chapter XX, Part 3280 or the equivalent. "Suitable for mobile home use."*

Inspect Shipment

1. Check for damage after the unit is unloaded. Report promptly to the carrier any damage found to the unit. Do not drop the unit.

Important: *To prevent damage to the sides and top of the unit when hoisting, use "spreader bars" see, "Rooftop Installation — No Curb/Frame," p. 28*

Product Specifications

Table 1. Models — 5YCC4024A1060A, 5YCC4030A1070A, 5YCC4036A1070A, 5YCC4036A1090A, and 5YCC4042A1060A

Model	5YCC4024A1060A	5YCC4030A1070A	5YCC4036A1070A	5YCC4036A1090A	5YCC4042A1060A
Rated Volts/Ph/Hz	208–230/1/60	208–230/1/60	208–230/1/60	208–230/1/60	208–230/1/60
Performance Cooling BTUH (a)	24000	28400	36000	36000	40000
Indoor Airflow (CFM)	823	923	1192	1192	1499
Power Input (kW)	1.98	2.44	3.12	3.12	3.53
EER2/SEER2 (BTU/Watt-Hr.)	11.0/14.3	11.0/13.8	11.0/13.8	11.0/13.8	11.0/13.8
Sound Power Rating [dB(A)] (b)	66.6	70.0	71.4	71.4	74.6
Performance Heating (c)					
Input BTUH-1st Stage (Natural Gas)(d)	60000	70000	70000	90000	60000

Introduction, Unit Inspection, and Specification

Table 1. Models — 5YCC4024A1060A, 5YCC4030A1070A, 5YCC4036A1070A, 5YCC4036A1090A, and 5YCC4042A1060A (continued)

Model	5YCC4024A1060A	5YCC4030A1070A	5YCC4036A1070A	5YCC4036A1090A	5YCC4042A1060A
AFUE	81	81	81	81	81
Temp. Rise — Min/Max (°F)	30 / 60	30 / 60	30 / 60	35 / 65	30 / 60
Orifice Qty/Drill Sz. (Natural Gas)	2 / #37	2 / #33	2 / #33	3 / #37	2 / #37
Power Conn. — V/Ph/Hz	208–230/1/60	208–230/1/60	208–230/1/60	208–230/1/60	208–230/1/60
Min. Brch. Cir. Ampacity ^(e)	16	21	28	28	26
Fuse Size — Max. (amps)	25	30	40	40	40
Fuse Size — Recmd. (amps)	25	30	40	40	40
Compressor	Scroll	Scroll	Scroll	Scroll	Scroll
Volts/Ph/Hz	208–230/1/60	208–230/1/60	208–230/1/60	208–230/1/60	208–230/1/60
R.L. Amps — L.R. Amps	10.3 / 60.2	12.7 / 75.6	16.7 / 93.5	16.7 / 93.5	14.7 / 109.0
Outdoor Coil — Type	Spine-Fin	Spine-Fin	Spine-Fin	Spine-Fin	Spine-Fin
Rows/F.P.I	2 / 24	2 / 24	2 / 24	2 / 24	2 / 24
Face Area (sq. ft.)	13.32	13.32	15.49	15.49	15.63
Tube Size (in.)	3/8	3/8	3/8	3/8	3/8
Indoor Coil — Type	MCHE	MCHE	MCHE	MCHE	MCHE
Rows/F.P.I	2 / 16	2 / 16	2 / 16	2 / 16	2 / 16
Face Area (sq. ft.)	2.7	2.7	2.7	2.7	3.9
Tube Size Width (in.)	0.81	0.81	1.00	1.00	0.81
Refrigeration Control	Expansion Valve	Expansion Valve	Expansion Valve	Expansion Valve	Expansion Valve
Drain Conn. Size (in.)	3/4 Female NPT	3/4 Female NPT	3/4 Female NPT	3/4 Female NPT	3/4 Female NPT
Outdoor Fan — Type	Propeller	Propeller	Propeller	Propeller	Propeller
Dia. (in.)	23.4	23.4	23.4	23.4	28.3
Drive/No. Speeds	Direct / 1	Direct / 1	Direct / 1	Direct / 1	Direct / 1
CFM @ 0.0 in. w.g. ^(f)	2350	2800	3080	3080	3400
Motor— HP/R.P.M	1/12 / 810	1/6 / 825	1/5 / 825	1/5 / 825	1/4 / 825
Volts/Ph/Hz	208–230/1/60	208–230/1/60	208–230/1/60	208–230/1/60	208–230/1/60
F.L. Amps/L.R Amps	0.54 / 0.82	0.85 / 1.65	1.1 - 2.0	1.1 - 2.0	1.5 / 3.07
Indoor Fan — Type	Constant Torque ECM				
Dia. x Width (in.)	10.62 X 10.62	10.62 X 10.62	10.62 X 10.62	10.62 X 10.62	10.62 X 10.62
Drive/No. Speeds	Direct / 4	Direct / 4	Direct / 4	Direct / 4	Direct / 4
CFM @ 0.0 in. w.g. ^(g)	See Indoor Fan Performance Table				
Motor— HP/R.P.M.	1/3 / 1050	1/2 / 1050	3/4 / 1050	3/4 / 1050	3/4 / 1050
Volts/Ph/Hz	208–230/1/60	208–230/1/60	208–230/1/60	208–230/1/60	208–230/1/60
F.L. Amps	2.7	3.9	6.0	6.0	6.0
Combustion Fan — Type	Centrifugal	Centrifugal	Centrifugal	Centrifugal	Centrifugal
Drive/No. Speeds	Direct / 1	Direct / 1	Direct / 1	Direct / 1	Direct / 1

Table 1. Models — 5YCC4024A1060A, 5YCC4030A1070A, 5YCC4036A1070A, 5YCC4036A1090A, and 5YCC4042A1060A (continued)

Model	5YCC4024A1060A	5YCC4030A1070A	5YCC4036A1070A	5YCC4036A1090A	5YCC4042A1060A
Motor— HP/R.P.M.	1/34 / 3345	1/34 / 3290	1/34 / 3290	1/34 / 3075	1/34 / 3345
Volts/Ph/Hz	230/1/60	230/1/60	230/1/60	230/1/60	230/1/60
FLA	0.20	0.20	0.20	0.24	0.20
Filter/ Furnished	No	No	No	No	No
Type Recommended	Throwaway	Throwaway	Throwaway	Throwaway	Throwaway
Recmd. Face Area (sq. ft) ^(h)	4.0	4.0	4.0	4.0	5.3
Refrigerant	R-454B	R-454B	R-454B	R-454B	R-454B
Charge (lbs.)	4.40	6.97	7.20	7.20	7.30
Charging Specifications					
Subcooling	12° F	10° F	12° F	12° F	12° F
Gas Pipe Size (in.)	1/2	1/2	1/2	1/2	1/2
Dimensions	H X W X L				
Crated (in.)	46 X 45 X 52	48 X 45 X 52	48 X 45 X 52	48 X 45 X 52	46 X 47 X 62
Weight					
Shipping (lbs.) / Net (lbs.)	436 / 362	455 / 381	443 / 379	458 / 384	558 / 455

- (a) Rated in accordance with AHRI Standard 210/240. AHRI standard rating conditions are: 80 D.B.67 W.B. entering air to indoor coil. 95 D. B. entering air to outdoor coil.
- (b) Sound Power values are not adjusted for AHRI 270–95 tonal corrections.
- (c) Ratings shown are for elevations up to 2000 ft. For higher elevations reduce ratings at a rate of 4% per 1000 ft. elevation.
- (d) Convertible to LPG.
- (e) This value is approximate. For more precise value, see Unit Nameplate.
- (f) Standard Air — Dry Coil — Outdoor.
- (g) Based on U.S. Government Standard Tests.
- (h) Filters must be installed in return air stream. Square footages listed are based on 300 f.p.m. face velocity. If permanent filters are used size per manufacturer's recommendation with a clean resistance of 0.05-in. W.C.

Table 2. Models — 5YCC4042A1090A, 5YCC4048A1070A, 5YCC4048A1090A, 5YCC4060A1090A, 5YCC4060A1090B, and 5YCC4060A1115A

Model	5YC-C4042A1090A	5YC-C4048A1070A	5YC-C4048A1090A	5YC-C4060A1090A	5YC-C4060A1090B	5YC-C4060A1115A
Rated Volts/Ph/Hz	208–230/1/60	208–230/1/60	208–230/1/60	208–230/1/60	208–230/1/60	208–230/1/60
Performance Cooling BTUH^(a)	40000	47500	47500	58000	58000	58000
Indoor Airflow (CFM)	1499	1673	1673	1700	1700	1700
Power Input (kW)	3.53	4.30	4.30	5.08	5.18	5.08
EER2/SEER2 (BTU/Watt-Hr.)	11.0/13.8	11.0/13.4	11.0/13.4	11.0/13.4	11.0/13.4	11.0/13.4
Sound Power Rating [dB(A)] ^(b)	74.6	72.5	72.5	76.0	76.0	76.0
Performance Heating^(c)						
Input BTUH-1st Stage (Natural Gas) ^(d)	90000	70000	90000	90000	90000	115000
AFUE	81	81	81	81	81	81
Temp. Rise — Min/Max (°F)	35 / 65	30 / 60	35 / 65	30 / 60	40 / 70	30 / 60

Introduction, Unit Inspection, and Specification

Table 2. Models — 5YCC4042A1090A, 5YCC4048A1070A, 5YCC4048A1090A, 5YCC4060A1090A, 5YCC4060A1090B, and 5YCC4060A1115A (continued)

Model	5YC- C4042A1090A	5YC- C4048A1070A	5YC- C4048A1090A	5YC- C4060A1090A	5YC- C4060A1090B	5YC- C4060A1115A
Orifice Qty/Drill Sz. (Natural Gas)	3 / #37	2 / #33	3 / #37	3 / #37	3 / #37	3 / #32
Power Conn. — V/Ph/ Hz	208–230/1/60	208–230/1/60	208–230/1/60	208–230/1/60	208–230/1/60	208–230/1/60
Min. Brch. Cir. Ampacity ^(e)	26	36	36	41	41	41
Fuse Size — Max. (amps)	40	50	50	60	60	60
Fuse Size — Recmd. (amps)	40	50	50	60	60	60
Compressor	Scroll	Scroll	Scroll	Scroll	Scroll	Scroll
Volts/Ph/Hz	208–230/1/60	208–230/1/60	208–230/1/60	208–230/1/60	208–230/1/60	208–230/1/60
R.L. Amps — L.R. Amps	14.7 / 109.0	22.4 / 126.0	22.4 / 126.0	25.6 / 150.0	25.6 / 150.0	25.6 / 150.0
Outdoor Coil — Type	Spine-Fin	Spine-Fin	Spine-Fin	Spine-Fin	Spine-Fin	Spine-Fin
Rows/F.P.I	2 / 24	2 / 24	2 / 24	2 / 24	2 / 24	2 / 24
Face Area (sq. ft.)	15.63	20.54	20.54	22.99	22.99	22.99
Tube Size (in.)	3/8	3/8	3/8	3/8	3/8	3/8
Indoor Coil — Type	MCHE	MCHE	MCHE	RTPF	MCHE	RTPF
Rows/F.P.I	2 / 16	2 / 16	2 / 16	4 / 15	2 / 16	4 / 15
Face Area (sq. ft.)	3.9	3.9	3.9	5.0	5.0	5.0
Tube Size Width (in.)	0.81	0.81	0.81	0.375	1	0.375
Refrigeration Control	Expansion Valve	Expansion Valve	Expansion Valve	Expansion Valve	Expansion Valve	Expansion Valve
Drain Conn. Size (in.)	3/4 Female NPT	3/4 Female NPT	3/4 Female NPT	3/4 Female NPT	3/4 Female NPT	3/4 Female NPT
Outdoor Fan — Type	Propeller	Propeller	Propeller	Propeller	Propeller	Propeller
Dia. (in.)	28.3	28.3	28.3	28.3	28.3	28.3
Drive/No. Speeds	Direct / 1	Direct / 1	Direct / 1	Direct / 1	Direct / 1	Direct / 1
CFM @ 0.0 in. w.g. ^(f)	3400	3400	3400	4800	4800	4800
Motor— HP/R.P.M	1/4 / 825	1/4 / 825	1/4 / 825	1/3 / 825	1/3 / 825	1/3 / 825
Volts/Ph/Hz	208–230/1/60	208–230/1/60	208–230/1/60	208–230/1/60	208–230/1/60	208–230/1/60
F.L. Amps/L.R Amps	1.5 / 3.07	1.5 / 3.07	1.5 / 3.07	1.7 / 3.5	1.7 / 3.5	1.7 / 3.5
Indoor Fan — Type	Constant Torque ECM					
Dia. x Width (in.)	10.62 X 10.62	10.62 X 10.62	10.62 X 10.62	11.87 X 10.62	11.87 X 10.62	11.87 X 10.62
Drive/No. Speeds	Direct / 4	Direct / 4	Direct / 4	Direct / 4	Direct / 4	Direct / 4
CFM @ 0.0 in. w.g. ^(g)	See Indoor Fan Performance Table					
Motor— HP/R.P.M.	3/4 / 1050	3/4 / 1050	3/4 / 1050	1 / 1050	1 / 1050	1 / 1050
Volts/Ph/Hz	208–230/1/60	208–230/1/60	208–230/1/60	208–230/1/60	208–230/1/60	208–230/1/60
F.L. Amps	6.0	6.0	6.0	7.4	7.4	7.4
Combustion Fan — Type	Centrifugal	Centrifugal	Centrifugal	Centrifugal	Centrifugal	Centrifugal

Table 2. Models — 5YCC4042A1090A, 5YCC4048A1070A, 5YCC4048A1090A, 5YCC4060A1090A, 5YCC4060A1090B, and 5YCC4060A1115A (continued)

Model	5YC-C4042A1090A	5YC-C4048A1070A	5YC-C4048A1090A	5YC-C4060A1090A	5YC-C4060A1090B	5YC-C4060A1115A
Drive/No. Speeds	Direct / 1	Direct / 1	Direct / 1	Direct / 1	Direct / 1	Direct / 1
Motor— HP/R.P.M.	1/34 / 3075	1/34 / 3290	1/34 / 3075	1/34 / 3075	1/34 / 3075	1/34 / 3055
Volts/Ph/Hz	230/1/60	230/1/60	230/1/60	230/1/60	230/1/60	230/1/60
FLA	0.24	0.20	0.24	0.24	0.24	0.25
Filter/ Furnished	No	No	No	No	No	No
Type Recommended	Throwaway	Throwaway	Throwaway	Throwaway	Throwaway	Throwaway
Recmd. Face Area (sq. ft) ^(h)	5.3	5.3	5.3	5.3	5.3	5.3
Refrigerant	R-454B	R-454B	R-454B	R-454B	R-454B	R-454B
Charge (lbs.)	7.30	6.60	6.60	9.75	9.03	9.75
Charging Specifications						
Subcooling	12° F	10° F	10° F	13° F	10° F	13° F
Gas Pipe Size (in.)	1/2	1/2	1/2	1/2	1/2	1/2
Dimensions	H X W X L					
Crated (in.)	46 X 47 X 62	50 X 47 X 62	50 X 47 X 62	50 X 47 X 62	50 X 47 X 62	50 X 47 X 62
Weight						
Shipping (lbs.) / Net (lbs.)	564 / 460	559 / 460	564 / 460	583 / 479	583 / 479	589 / 485

- (a) Rated in accordance with AHRI Standard 210/240. AHRI standard rating conditions are: 80 D.B.67 W.B. entering air to indoor coil. 95 D. B. entering air to outdoor coil.
- (b) Sound Power values are not adjusted for AHRI 270–95 tonal corrections.
- (c) Ratings shown are for elevations up to 2000 ft. For higher elevations reduce ratings at a rate of 4% per 1000 ft. elevation.
- (d) Convertible to LPG.
- (e) This value is approximate. For more precise value, see Unit Nameplate.
- (f) Standard Air — Dry Coil — Outdoor.
- (g) Based on U.S. Government Standard Tests.
- (h) Filters must be installed in return air stream. Square footages listed are based on 300 f.p.m. face velocity. If permanent filters are used size per manufacturer's recommendation with a clean resistance of 0.05-in. W.C.

Table 3. Models — 5YCC4036A3070A, 5YCC4036A3090A, 5YCC4048A3070A, 5YCC4048A3090A, and 5YCC4060A3115A

Model	5YCC4036A3070A	5YCC4036A3090A	5YCC4048A3070A	5YCC4048A3090A	5YCC4060A3115A
Rated Volts/Ph/Hz	208–230/3/60	208–230/3/60	208–230/3/60	208–230/3/60	208–230/3/60
Performance Cooling BTUH^(a)	36000	36000	47500	47500	58000
Indoor Airflow (CFM)	1192	1192	1673	1673	1700
Power Input (kW)	3.12	3.12	4.30	4.30	5.08
EER2/SEER2 (BTU/Watt-Hr.)	11.0/13.8	11.0/13.8	11.0/13.4	11.0/13.4	11.0/13.4
Sound Power Rating [dB(A)] ^(b)	71.4	71.4	72.5	72.5	76.0
Performance Heating^(c)					
Input BTUH-1st Stage (Natural Gas) ^(d)	70000	90000	70000	90000	115000
AFUE	81	81	81	81	81

Introduction, Unit Inspection, and Specification

Table 3. Models — 5YCC4036A3070A, 5YCC4036A3090A, 5YCC4048A3070A, 5YCC4048A3090A, and 5YCC4060A3115A (continued)

Model	5YCC4036A3070A	5YCC4036A3090A	5YCC4048A3070A	5YCC4048A3090A	5YCC4060A3115A
Temp. Rise — Min/Max (°F)	30 / 60	35 / 65	30 / 60	35 / 65	30 / 60
Orifice Qty/Drill Sz. (Natural Gas)	2 / #33	3 / #37	2 / #33	3 / #37	3 / #32
Power Conn. — V/Ph/Hz	208–230/3/60	208–230/3/60	208–230/3/60	208–230/3/60	208–230/3/60
Min. Brch. Cir. Ampacity ^(e)	22	22	24	24	29
Fuse Size — Max. (amps)	30	30	35	35	45
Fuse Size — Recmd. (amps)	30	30	35	35	45
Compressor	Scroll	Scroll	Scroll	Scroll	Scroll
Volts/Ph/Hz	208-230/3/60	208-230/3/60	208-230/3/60	208-230/3/60	208-230/3/60
R.L. Amps — L.R. Amps	12.2 / 97.5	12.2 / 97.5	12.8 / 120.4	12.8 / 120.4	16.1 / 156.4
Outdoor Coil — Type	Spine-Fin	Spine-Fin	Spine-Fin	Spine-Fin	Spine-Fin
Rows/F.P.I	2 / 24	2 / 24	2 / 24	2 / 24	2 / 24
Face Area (sq. ft.)	15.49	15.49	20.54	20.54	22.99
Tube Size (in.)	3/8	3/8	3/8	3/8	3/8
Indoor Coil — Type	MCHE	MCHE	MCHE	MCHE	RTPF
Rows/F.P.I	2 / 16	2 / 16	2 / 16	2 / 16	4 / 15
Face Area (sq. ft.)	2.7	2.7	3.9	3.9	5.0
Tube Size Width (in.)	1.00	1.00	0.81	0.81	0.375
Refrigeration Control	Expansion Valve	Expansion Valve	Expansion Valve	Expansion Valve	Expansion Valve
Drain Conn. Size (in.)	3/4 Female NPT	3/4 Female NPT	3/4 Female NPT	3/4 Female NPT	3/4 Female NPT
Outdoor Fan — Type	Propeller	Propeller	Propeller	Propeller	Propeller
Dia. (in.)	23.4	23.4	28.3	28.3	28.3
Drive/No. Speeds	Direct / 1	Direct / 1	Direct / 1	Direct / 1	Direct / 1
CFM @ 0.0 in. w.g. ^(f)	3080	3080	3400	3400	4800
Motor— HP/R.P.M	1/5 / 825	1/5 / 825	1/4 / 825	1/4 / 825	1/3 / 825
Volts/Ph/Hz	208–230/1/60	208–230/1/60	208–230/1/60	208–230/1/60	208–230/1/60
F.L. Amps/L.R Amps	1.1 - 2.0	1.1 - 2.0	1.5 / 3.07	1.5 / 3.07	1.7 / 3.5
Indoor Fan — Type	Constant Torque ECM				
Dia. x Width (in.)	10.62 X 10.62	10.62 X 10.62	10.62 X 10.62	10.62 X 10.62	11.87 X 10.62
Drive/No. Speeds	DIRECT / 4	DIRECT / 4	DIRECT / 4	DIRECT / 4	DIRECT / 4
CFM @ 0.0 in. w.g. ^(g)	See Indoor Fan Performance Table				
Motor— HP/R.P.M.	3/4 / 1050	3/4 / 1050	3/4 / 1050	3/4 / 1050	1 / 1050
Volts/Ph/Hz	208–230/1/60	208–230/1/60	208–230/1/60	208–230/1/60	208–230/1/60
F.L. Amps	6.0	6.0	6.0	6.0	7.4
Combustion Fan — Type	Centrifugal	Centrifugal	Centrifugal	Centrifugal	Centrifugal
Drive/No. Speeds	Direct / 1	Direct / 1	Direct / 1	Direct / 1	Direct / 1
Motor— HP/R.P.M.	1/34 / 3075	1/34 / 3075	1/34 / 3290	1/34 / 3290	1/34 / 3075

Table 3. Models — 5YCC4036A3070A, 5YCC4036A3090A, 5YCC4048A3070A, 5YCC4048A3090A, and 5YCC4060A3115A (continued)

Model	5YCC4036A3070A	5YCC4036A3090A	5YCC4048A3070A	5YCC4048A3090A	5YCC4060A3115A
Volts/Ph/Hz	230/1/60	230/1/60	230/1/60	230/1/60	230/1/60
FLA	0.24	0.24	0.20	0.20	0.24
Filter/ Furnished	No	No	No	No	No
Type Recommended	Throwaway	Throwaway	Throwaway	Throwaway	Throwaway
Recmd. Face Area (sq. ft) ^(h)	4.0	4.0	5.3	5.3	5.3
Refrigerant	R-454B	R-454B	R-454B	R-454B	R-454B
Charge (lbs.)	7.20	7.20	6.60	6.60	9.75
Charging Specifications					
Subcooling	12° F	12° F	10° F	10° F	13° F
Gas Pipe Size (in.)	1/2	1/2	1/2	1/2	1/2
Dimensions	H X W X L				
Crated (in.)	48 X 45 X 52	48 X 45 X 52	50 X 47 X 62	50 X 47 X 62	50 X 47 X 62
Weight					
Shipping (lbs.) / Net (lbs.)	442 / 378	457 / 383	553 / 499	558 / 454	583 / 479

- (a) Rated in accordance with AHRI Standard 210/240. AHRI standard rating conditions are: 80 D.B.67 W.B. entering air to indoor coil. 95 D. B. entering air to outdoor coil.
- (b) Sound Power values are not adjusted for AHRI 270–95 tonal corrections.
- (c) Ratings shown are for elevations up to 2000 ft. For higher elevations reduce ratings at a rate of 4% per 1000 ft. elevation.
- (d) Convertible to LPG.
- (e) This value is approximate. For more precise value, see Unit Nameplate.
- (f) Standard Air — Dry Coil — Outdoor.
- (g) Based on U.S. Government Standard Tests.
- (h) Filters must be installed in return air stream. Square footages listed are based on 300 f.p.m. face velocity. If permanent filters are used size per manufacturer's recommendation with a clean resistance of 0.05-in. W.C.

Table 4. Models — 5YCC4036A4070A, 5YCC4036A4090A, 5YCC4048A4070A, 5YCC4048A4090A, and 5YCC4060A4115A

Model	5YCC4036A4070A	5YCC4036A4090A	5YCC4048A4070A	5YCC4048A4090A	5YCC4060A4115A
Rated Volts/Ph/Hz	460/3/60	460/3/60	460/3/60	460/3/60	460/3/60
Performance Cooling BTUH^(a)	36000	36000	47500	47500	58000
Indoor Airflow (CFM)	1192	1192	1673	1673	1700
Power Input (kW)	3.12	3.12	4.30	4.30	5.08
EER2/SEER2 (BTU/Watt-Hr.)	11.0/13.8	11.0/13.8	11.0/13.4	11.0/13.4	11.0/13.4
Sound Power Rating [dB(A)] ^(b)	71.4	71.4	75.3	75.3	76.0
Performance Heating^(c)					
Input BTUH-1st Stage (Natural Gas) ^(d)	70000	90000	70000	90000	115000
AFUE	81	81	81	81	81
Temp. Rise — Min/Max (°F)	30 / 60	35 / 65	30 / 60	35 / 65	30 / 60
Orifice Qty/Drill Sz. (Natural Gas)	2 / #33	3 / #37	2 / #33	3 / #37	3 / #32
Power Conn. — V/Ph/Hz	460/3/60	460/3/60	460/3/60	460/3/60	460/3/60
Min. Brch. Cir. Ampacity ^(e)	14	14	14	14	17

Introduction, Unit Inspection, and Specification

Table 4. Models — 5YCC4036A4070A, 5YCC4036A4090A, 5YCC4048A4070A, 5YCC4048A4090A, and 5YCC4060A4115A (continued)

Model	5YCC4036A4070A	5YCC4036A4090A	5YCC4048A4070A	5YCC4048A4090A	5YCC4060A4115A
Fuse Size — Max. (amps)	15	15	20	20	20
Fuse Size — Recmd. (amps)	15	15	20	20	20
Compressor	Scroll	Scroll	Scroll	Scroll	Scroll
Volts/Ph/Hz	460/3/60	460/3/60	460/3/60	460/3/60	460/3/60
R.L. Amps — L.R. Amps	5.8 / 44.3	5.8 / 44.3	6.1 / 49.4	6.1 / 49.4	7.1 / 69
Outdoor Coil — Type	Spine-Fin	Spine-Fin	Spine-Fin	Spine-Fin	Spine-Fin
Rows/F.P.I	2 / 24	2 / 24	2 / 24	2 / 24	2 / 24
Face Area (sq. ft.)	15.49	15.49	20.54	20.54	22.99
Tube Size (in.)	3/8	3/8	3/8	3/8	3/8
Indoor Coil — Type	MCHE	MCHE	MCHE	MCHE	RTPF
Rows/F.P.I	2 / 16	2 / 16	2 / 16	2 / 16	4 / 15
Face Area (sq. ft.)	2.7	2.7	3.9	3.9	5.0
Tube Size Width (in.)	1.00	1.00	0.81	0.81	0.375
Refrigeration Control	Expansion Valve	Expansion Valve	Expansion Valve	Expansion Valve	Expansion Valve
Drain Conn. Size (in.)	3/4 Female NPT	3/4 Female NPT	3/4 Female NPT	3/4 Female NPT	3/4 Female NPT
Outdoor Fan — Type	Propeller	Propeller	Propeller	Propeller	Propeller
Dia. (in.)	23.4	23.4	28.3	28.3	28.3
Drive/No. Speeds	Direct / 1	Direct / 1	Direct / 1	Direct / 1	Direct / 1
CFM @ 0.0 in. w.g. ^(f)	3080	3080	3400	3400	4800
Motor— HP/R.P.M	1/5 / 825	1/5 / 825	1/4 / 825	1/4 / 825	1/3 / 825
Volts/Ph/Hz	460/1/60	460/1/60	460/1/60	460/1/60	460/1/60
F.L. Amps/L.R Amps	0.57 - 2.0	0.57 - 2.0	0.8 / 3.07	0.8 / 3.07	0.97 / 3.5
Indoor Fan — Type	Constant Torque ECM				
Dia. x Width (in.)	10.62 X 10.62	10.62 X 10.62	10.62 X 10.62	10.62 X 10.62	11.87 X 10.62
Drive/No. Speeds	Direct / 4	Direct / 4	Direct / 4	Direct / 4	Direct / 4
CFM @ 0.0 in. w.g. ^(g)	See Indoor Fan Performance Table				
Motor— HP/R.P.M.	3/4 / 1050	3/4 / 1050	3/4 / 1050	3/4 / 1050	1 / 1050
Volts/Ph/Hz	208–230/1/60	208–230/1/60	208–230/1/60	208–230/1/60	208–230/1/60
F.L. Amps	6.0	6.0	6.0	6.0	7.4
Combustion Fan — Type	Centrifugal	Centrifugal	Centrifugal	Centrifugal	Centrifugal
Drive/No. Speeds	DIRECT / 1	DIRECT / 1	DIRECT / 1	DIRECT / 1	DIRECT / 1
Motor— HP/R.P.M.	1/34 / 3075	1/34 / 3075	1/34 / 3290	1/34 / 3290	1/34 / 3075
Volts/Ph/Hz	230/1/60	230/1/60	230/1/60	230/1/60	230/1/60
FLA	0.24	0.24	0.20	0.20	0.24
Filter/ Furnished	No	No	No	No	No
Type Recommended	Throwaway	Throwaway	Throwaway	Throwaway	Throwaway
Recmd. Face Area (sq. ft) ^(h)	4.0	4.0	5.3	5.3	5.3

Table 4. Models — 5YCC4036A4070A, 5YCC4036A4090A, 5YCC4048A4070A, 5YCC4048A4090A, and 5YCC4060A4115A (continued)

Model	5YCC4036A4070A	5YCC4036A4090A	5YCC4048A4070A	5YCC4048A4090A	5YCC4060A4115A
Refrigerant	R-454B	R-454B	R-454B	R-454B	R-454B
Charge (lbs.)	7.20	7.20	6.60	6.60	9.75
Charging Specifications					
Subcooling	12° F	12° F	10° F	10° F	13° F
Gas Pipe Size (in.)	1/2	1/2	1/2	1/2	1/2
Dimensions					
	H X W X L				
Crated (in.)	48 X 45 X 52	48 X 45 X 52	50 X 47 X 62	50 X 47 X 62	50 X 47 X 62
Weight					
Shipping (lbs.) / Net (lbs.)	455 / 391	470 / 396	565 / 461	570 / 466	604 / 500

- (a) Rated in accordance with AHRI Standard 210/240. AHRI standard rating conditions are: 80 D.B.67 W.B. entering air to indoor coil. 95 D. B. entering air to outdoor coil.
- (b) Sound Power values are not adjusted for AHRI 270–95 tonal corrections.
- (c) Ratings shown are for elevations up to 2000 ft. For higher elevations reduce ratings at a rate of 4% per 1000 ft. elevation.
- (d) Convertible to LPG.
- (e) This value is approximate. For more precise value, see Unit Nameplate.
- (f) Standard Air — Dry Coil — Outdoor.
- (g) Based on U.S. Government Standard Tests.
- (h) Filters must be installed in return air stream. Square footages listed are based on 300 f.p.m. face velocity. If permanent filters are used size per manufacturer's recommendation with a clean resistance of 0.05-in. W.C.

Charging in Cooling above 55°F OD Ambient

If servicing the equipment requires system evacuation, then re-charge the system to the weight specified on the nameplate. Verify the system subcooling using the Subcooling Charging Table and, if necessary, adjust the charge using the procedure below.

- For best results — the indoor temperature should be kept between 70°F to 80°F. Add system heat if needed.
- Whenever charge is removed or added, the system must be operated for a minimum of 20 minutes to stabilize before accurate measurements can be made.
- Measure Liquid Line Temperature and Refrigerant Pressure at service valved in the compressor compartment.
- Locate your liquid line temperature in the left column of the table, and the intersecting liquid line pressure under

the subcool value column, Add refrigerant to raise the pressure to match the table, or remove refrigerant to lower the pressure. Again, wait 20 minutes for the system conditions to stabilize before adjusting charge again.

- Note:** System charge shall never be more than 110% or less than 90% of nameplate charge. If specified subcooling cannot be achieved within those charge bounds, contact your Field Service Representative.
- When system is correctly charged, you can refer to System Pressure Curves to verify typical performance.

Charging Below 55°F

Evacuate system and weigh in nameplate charge or use factory charge. Correct subcooling may be verified when the temperature is above 55°F.

Table 5. R-454B refrigerant charging chart

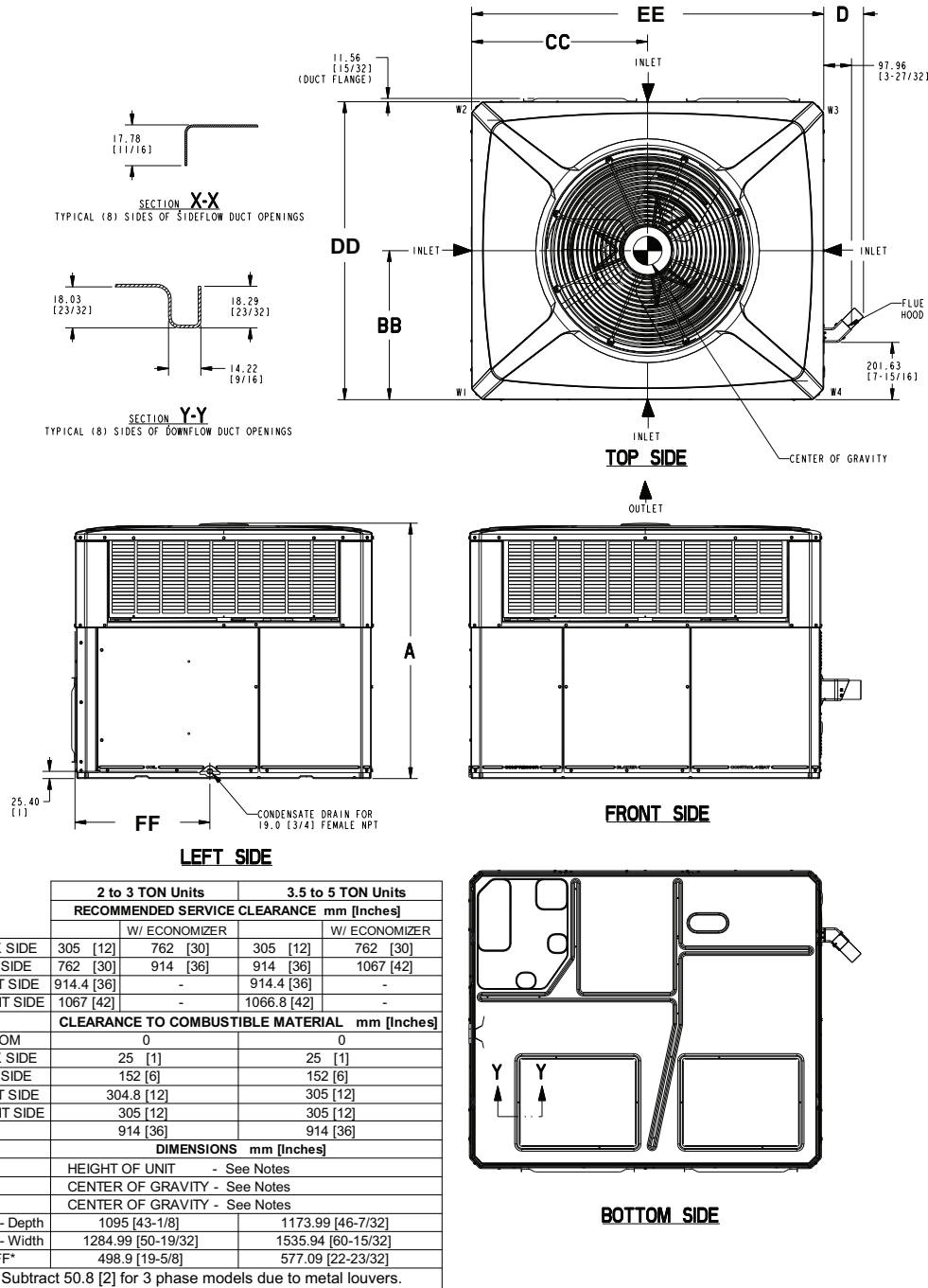
Liquid temp. (°F)	Design subcooling (°F)								
	6	7	8	9	10	11	12	13	14
	Liquid gauge pressure (psi)								
55	164	167	170	172	175	178	181	184	187
60	178	181	184	187	190	194	197	200	203
65	193	197	200	203	206	210	213	217	220
70	210	213	217	220	223	227	230	234	238
75	227	230	234	238	241	245	249	252	256
80	245	249	252	256	260	264	268	272	276
85	264	268	272	276	280	284	288	292	297

Table 5. R-454B refrigerant charging chart (continued)

Liquid temp. (°F)	Design subcooling (°F)								
	6	7	8	9	10	11	12	13	14
	Liquid gauge pressure (psi)								
90	284	288	292	297	301	305	309	314	318
95	305	309	314	318	323	327	332	336	341
100	327	332	336	341	346	351	355	360	356
105	351	355	360	365	370	375	380	385	390
110	375	380	385	390	396	401	406	412	417
115	401	406	412	417	422	428	433	439	445
120	428	433	439	445	450	456	462	468	474
125	456	462	468	474	480	486	492	498	504

Dimensional Data

Figure 1. Space on sides requirements

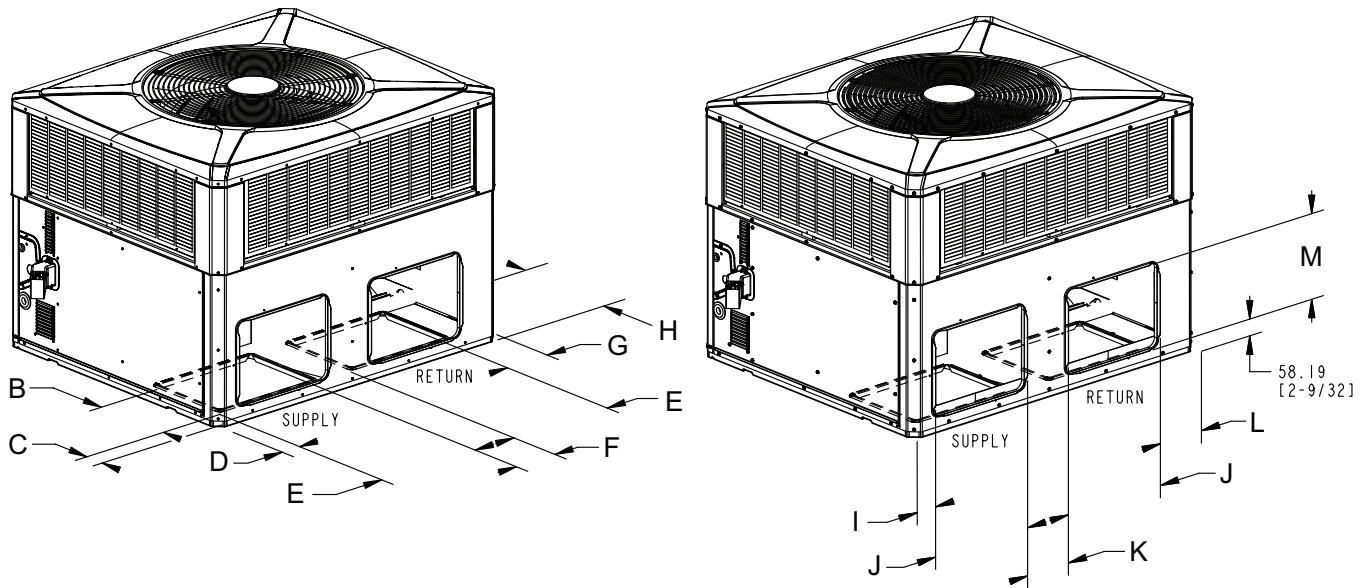


Notes:

- The Bottom Side view represents looking up from under the unit.
- For dimension A unit height, see Table 6, p. 20.
- For center of gravity dimensions BB and CC, see Table 7, p. 21.

Dimensional Data

Figure 2. Bottom and back duct openings



BOTTOM DUCT OPENINGS

BACK DUCT OPENINGS

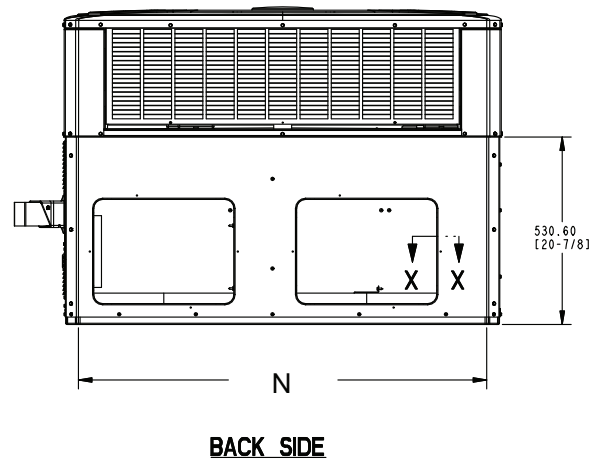
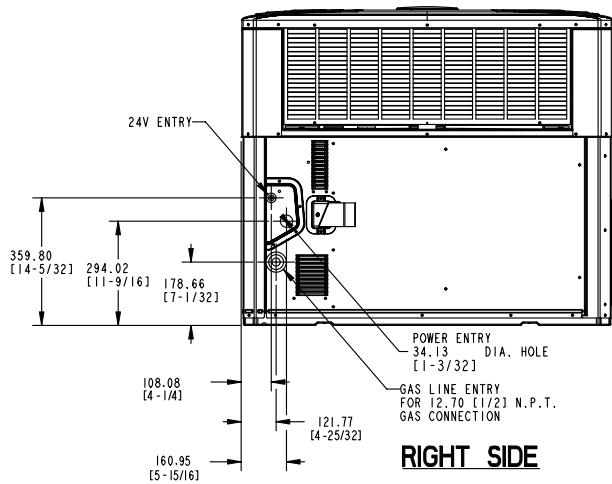


Table 6. Dimensions (mm [inch])

Model	Height-A	B	C	D	E	F	G	H	I	J	K	L	M	N
5YCC4024	898.53 [35-3/8]	304.80 [12]	75.41 [2.93]	75.41 [2.93]	406.40 [16]	167.89 [6.61]	173.46 [6.84]	304.80 [12]	79.50 [3.13]	398.22 [15.68]	176.07 [6.93]	177.55 [6.99]	296.62 [11.68]	1155.45 [45.49]
5YCC4030	949.33 [37-3/8]													
5YCC4036														
5YCC4042	898.53 [35-3/8]	457.20 [18]	75.41 [2.97]	75.41 [2.97]	381.00 [15]	244.09 [9.61]	318.75 [12.55]	381.00 [15]	79.50 [3.13]	449.02 [17.68]	176.07 [6.93]	322.84 [12.71]	372.82 [14.68]	1402.34 [55.21]
5YCC4048	1000.13 [35-3/8]													
5YCC4060														

Table 7. Weights and center of gravity

Model	Corner Weights KG[LBS]				SHIPPING WEIGHT KG [LBS]	UNIT WEIGHT KG[LBS]	Center Of Gravity mm[inch]	
	W1	W2	W3	W4			BB	CC
5YCC4024*1	60.3 [133]	36.8 [81]	26.1 [58]	41.0 [90]	197.8 [436]	164.2 [362]	479 [18.9]	527.8 [20.8]
5YCC4030*1	63.5 [140]	38.7 [85]	27.5 [61]	43.1 [95]	206.4 [455]	172.8 [381]	406.5 [16]	594.1 [23.4]
5YCC4036*1 (070)	63.3 [140]	38.3 [84]	27.1 [60]	43.2 [95]	200.9 [443]	171.9 [379]	414.3 [16.3]	697.6 [27.5]
5YCC4036*1 (090)	63.8 [141]	38.9 [86]	27.7 [61]	43.7 [66]	207.7 [458]	174.2 [384]	414.3 [16.3]	697.6 [27.5]
5YCC4042*1 (060)	62.2 [137]	46.6 [103]	34.6 [76]	53.1 [117]	253.2 [558]	206.5 [455]	470.0 [18.5]	731.0 [28.8]
5YCC4042*1 (090)	72.8 [160]	47.2 [104]	35.2 [78]	53.6 [118]	256.0 [564]	208.8 [460]	470.0 [18.5]	731.0 [28.8]
5YCC4048*1 (070)	74.5 [164]	44.6 [98]	33.2 [73]	53.9 [119]	253.3 [559]	206.2 [455]	433.0 [17.0]	743.3 [29.3]
5YCC4048*1 (090)	75.2 [164]	45.0 [99]	33.8 [78]	54.4 [120]	255.6 [564]	208.4 [460]	433.0 [17.0]	743.3 [29.3]
5YCC4060*1 (090)	78.7 [174]	45.8 [101]	34.4 [76]	58.3 [128]	264.4 [583]	217.2 [479]	433.0 [17.0]	743.3 [29.3]
5YCC4060*1 (115)	79.7 [176]	46.3 [102]	34.9 [77]	59.0 [130]	267.1 [589]	219.9 [485]	414.0 [16.3]	635.0 [25.0]
5YCC4036*3 (070)	62.7 [138]	38.3 [84]	27.1 [60]	43.2 [95]	200.3 [442]	171.3 [378]	414.3 [16.3]	697.6 [27.5]
5YCC4036*3 (090)	63.3 [140]	38.9 [86]	27.7 [61]	43.7 [96]	207.1 [457]	173.6 [383]	414.3 [16.3]	697.6 [27.5]
5YCC4048*3 (070)	71.7 [158]	44.6 [98]	33.2 [73]	53.9 [119]	250.6 [553]	203.4 [449]	433.0 [17.0]	743.3 [29.3]
5YCC4048*3 (090)	72.5 [160]	45.0 [99]	33.8 [78]	54.4 [120]	252.9 [558]	205.7 [454]	433.0 [17.0]	743.3 [29.3]
5YCC4060*3 (115)	77.0 [170]	46.3 [102]	34.9 [77]	59.0 [130]	264.4 [583]	217.2 [479]	414.0 [16.3]	635.0 [25.0]
5YCC4036*4 (070)	68.6 [151]	38.3 [84]	27.1 [60]	43.2 [95]	206.2 [455]	177.2 [391]	414.3 [16.3]	697.6 [27.5]
5YCC4036*4 (090)	69.2 [153]	38.9 [86]	27.7 [61]	43.7 [96]	213.0 [470]	179.5 [396]	414.3 [16.3]	697.6 [27.5]
5YCC4048*4 (070)	77.2 [170]	44.6 [98]	33.2 [73]	53.9 [119]	256.1 [565]	208.9 [461]	433.0 [17.0]	743.3 [29.3]
5YCC4048*4 (090)	78.0 [172]	45.0 [99]	33.8 [78]	54.4 [120]	258.3 [570]	211.2 [466]	433.0 [17.0]	743.3 [29.3]
5YCC4060*4 (115)	86.6 [191]	46.3 [102]	34.9 [77]	59.0 [130]	273.9 [604]	226.8 [500]	414.0 [16.3]	635.0 [25.0]

Review Location and Recommendation Information

Notes:

- The unit is shipped for horizontal installation.
- During heating operation, avoid supply air below 80° F or return air below 50° F to prevent flue gas condensation.

Horizontal Airflow Units

1. Location of the unit must allow service clearance around it to ensure adequate serviceability, maximum capacity, and peak operating efficiency.
2. These units are designed for outdoor installation. They may be installed directly on a slab, wood flooring, or on Class A, B, or C roof covering material. The discharge air from the condenser fans must be unrestricted for a minimum of 3 feet above the unit.
3. The louvers above and below the flue hood in the side panel must have adequate clearance around the air opening into the combustion area.
4. Examine all flue product-carrying areas of the furnace, its vent system, and the main burner for safe operation.

Important: A minimum clearance of 0.0-inch to combustible material shall be maintained on air outlet duct.

5. Exhaust vents or other sources of contaminated air must not be near the unit's air inlet if outside air is to be introduced as make-up air or a ventilation feature is to be used. Contamination from exhaust vents or chimneys may also foul the condenser causing degraded performance.
6. Check the handling facilities to ensure the safety of personnel and the unit(s).
7. The unit must be mounted level for proper drainage of water through the drain holes in the base pan.
8. The unit should not be exposed to direct roof water runoff.
9. Flexible duct connectors must be of a flame retardant material. All ductwork outside of the structure must be insulated and weatherproofed in accordance with local codes.
10. Holes through exterior walls or roof must be sealed in accordance with local codes.
11. All fabricated outdoor ducts should be as short as possible.

Clearances

1. The recommended clearances for single-unit installations are illustrated in "Dimensional Data," p. 19.
2. Any reduction of the unit clearances indicated in these figures may result in condenser coil starvation or the recirculation of warm condenser air. Actual clearances, which appear to be inadequate should be reviewed with a local engineer.

3. See the unit's nameplate for the absolute minimum clearance between the unit and any combustible surfaces.

Down Airflow Units

1. Location of the unit must allow service clearance around it to ensure adequate serviceability, maximum capacity, and peak operating efficiency.
2. Refer to the Installation section for instruction on converting the supply and return airflow covers to down airflow.
3. The field assembled Roof Mounting Curb (BAYCURB050 or BAYCURB051) or a field fabricated curb should be in place before the unit is hoisted to the roof top.
The Roof Mounting Curb (frame) must be installed on a flat, level section of the roof (maximum of 1/4-inch per foot pitch) and provide a level mounting surface for the unit. Also, be sure to provide sufficient height above the roof to prevent water from entering the unit.
4. Be sure the mounting curb spans structural members (trusses) of the roof, thereby providing sufficient support for the weight of the unit, the curb, the duct(s), and any factory or field installed accessories.
5. The unit must be mounted level for proper drainage of water through the drain holes in the base pan.
6. Be sure the hole in the structure for the ducts is large enough to accommodate the fabricated ducts and the insulation surrounding them. Flexible duct connectors must be of a flame retardant material. All ductwork outside of the structure must be insulated and weatherproofed in accordance with local codes.
7. Holes through exterior walls or roof must be sealed in accordance with local codes.
8. These units are design certified for outdoor installation. They may be installed directly on a slab, wood flooring, or on Class A, B, or C roof covering material. The discharge air from the condenser fans must be unrestricted for a minimum of 3 feet above the unit.
9. The louvers above and below the flue hood in the side panel must have adequate clearance around the air opening into the combustion area.
10. Examine all flue product-carrying areas of the furnace, its vent system, and the main burner for safe operation.

Important: A minimum clearance of 0.0-inch to combustible material shall be maintained on air outlet duct.

11. Exhaust vents or other sources of contaminated air should not be near the unit's air inlet if outside air is to be introduced as make-up air or a ventilation feature is to be used. Contamination from exhaust vents or chimneys may also foul the condenser causing degraded performance.
12. Check the handling facilities to ensure the safety of personnel and the unit(s).

13. Manufacturer allows the use of the furnace during the finishing stages of construction, given the workspace is substantially free of debris and dust; interior drywall installation shall be completed and covered with paint or primer; proper vent installation; furnace shall be set up to operate in accordance with the manufacturer's shipped installation instructions and shall be verified for operating conditions including ignition, input rate, temperature rise, and venting.

Clearances

1. The recommended clearances for single-unit installations are illustrated in "[Dimensional Data](#)," p. 19.
2. Any reduction of the unit clearances indicated in these figures may result in condenser coil starvation or the recirculation of warm condenser air. Actual clearances, which appear to be inadequate should be reviewed with a local engineer.
3. See the unit's nameplate for the absolute minimum clearance between the unit and any combustible surfaces.
4. The vent of this unit must not terminate above grade, veranda, porch, deck, or balcony within 12-inch (30 cm); Clearance to window or door that can be opened minimum distance 12-inch (30 cm); Clearance to any permanently closed window follow Install manual Instructions. Hot gases leaving the unit vent can affect all construction materials and must be evaluated by installer.

Refrigerant Leak Detection System

For all tables contained in this section of the manual, the refrigerant charge is the total system charge which is marked on the unit nameplate.

⚠ WARNING

Risk of Fire — Flammable Refrigerant!
 Failure to follow instructions below could result in death or serious injury, and equipment damage.

- To be repaired only by trained service personnel.
- Do not puncture refrigerant tubing.
- Dispose of properly in accordance with federal or local regulations.

⚠ WARNING

Leak Detection System Installed!
 Failure to follow instructions below could result in death or serious injury or equipment damage.
 The unit is equipped with electrically powered safety measures and must be powered at all times after installation, except during servicing, to detect any leak.

To ensure safety of the building occupants, the packaged unit is equipped with a refrigerant leak detection system.

The system is comprised of a refrigerant sensor and a mitigation control board. The system automatically detects leaks in the indoor coil and initiates actions to mitigate the risk of ignition of the leaked refrigerant, including:

- Turning on the blower of the indoor unit to dilute leaked refrigerant;
- Fully opening any zoning dampers, when applicable;
- Turning off the compressor of the outdoor unit;
- De-energizing potential sources of ignition connected to the system;
- Energizing an audible alarm, if so equipped. Examples of potential ignition sources that are de-energized include electrostatic air cleaners.

Minimum Conditioned Space

The installer must verify that the total space conditioned by the system is large enough to safely dilute any leaked refrigerant in the event of a refrigerant leak of the indoor coil.

The minimum space conditioned by the appliance shall be according to [Table 8, p. 24](#). The conditioned space includes any parts of the space connected via an air duct system. The altitude of installation is the altitude above sea level of the site where the equipment is installed.

Table 8. Minimum space conditioned by the appliance

	Altitude (ft)								
	Sea Level — 2,000	2,001 — 4,000	4,001 — 6,000	6,001 — 8,000	8,001 — 10,000	10,001 — 12,000	12,001 — 14,000	14,001 — 15,000	Above 15,000
Charge (lb)	Minimum Conditioned Space (ft ²)								
4	63	66	70	74	79	85	91	94	98
5	79	83	88	93	99	106	113	118	122
6	95	100	105	112	119	127	136	141	147
7	110	116	123	130	138	148	159	165	171
8	126	133	140	149	158	169	181	188	196
9	142	149	158	167	178	190	204	212	220
10	158	166	175	186	198	211	227	235	245
11	173	183	193	205	218	232	249	259	269
12	189	199	211	223	237	254	272	282	294
13	205	216	228	242	257	275	295	306	318
14	221	232	246	260	277	296	318	330	343
15	236	249	263	279	297	317	340	353	367

Unit Installation

Note: The factory ships this unit for horizontal installation.

Install Flue Hood

1. Locate the Flue Hood in the literature package.
2. Remove the two Flue Hood mounting screws from the unit. They are located to the right of the Power Entry connection panel.
3. Attach the Flue Hood to the unit with the two screws removed in step two.

Ground Level Installation

1. Place the unit on a pad the size of the unit or larger. The unit must be mounted level for proper drainage of water through the holes in the base pan. To attach the unit securely to the slab, use extreme mounting kit, BAYEXMK003.

Note: Usage of the extreme mounting kit accessories is a recommendation, not a requirement.

The pad must not come in contact with the structure. Be sure the outdoor portion of the supply and return air ducts are as short as possible.

Note: As indicated in Figure 5, p. 27, vibration support is a recommendation, not a requirement.

2. The louvers above and below the Flue Hood in the side panel must have adequate clearance around the air opening into the combustion area.
3. Location of the unit must allow service clearance around it. Clearance of the unit must be given careful consideration. See "Dimensional Data," p. 19.

Note: Any reduction of the unit clearances indicated in these illustrations may result in condenser coil starvation or the recirculation of warm condenser air. Actual clearances, which appear to be inadequate should be reviewed with a local engineer.

Important: A minimum clearance of 0.0-inch to combustible material shall be maintained on air outlet duct.

4. Attach the supply and return air ducts to the unit as

explained in the "Ductwork Installation," p. 31 section.

5. Flexible duct connectors must be of a flame retardant material. Insulate any ductwork outside of the structure with at least two (2) inches of insulation and weatherproof. There must be a weatherproof seal where the duct enters the structure.
6. Do not expose the unit to direct roof water runoff.
7. Seal all holes through exterior walls in accordance with local codes.
8. Continue with the following installation sections to complete the installation: Ductwork, Gas Piping, Filter and Electrical Wiring.

Rooftop Installation - Curb Mounting

Convert Horizontal Airflow to Down Airflow

The factory ships the unit for horizontal airflow. Perform this procedure to convert it to down airflow:

1. Remove the three (3) sheet metal screws securing the supply air cover and the four (4) sheet metal screws securing the return air cover from the base of the unit. Remove the covers from the base.
2. Place the covers over the horizontal supply and return openings (painted side out). Align the screw holes, and secure using the same screws removed in step 1.

Install Full Perimeter Roof Mounting Curb

1. Verify that the roof mounting curb is correct for the unit. There are two curbs depending on the unit cabinet sizes:
 - 5YCC4024-036 use model BAYCURB050
 - 5YCC4042-060 use model BAYCURB051
2. Assemble and install the curb following the instructions in the Installer's Guide included with the appropriate curb.

Note: Use the extreme mounting kit, BAYEXMK003, to secure the unit to the slab.

Unit Installation

Figure 3. Typical ground level application

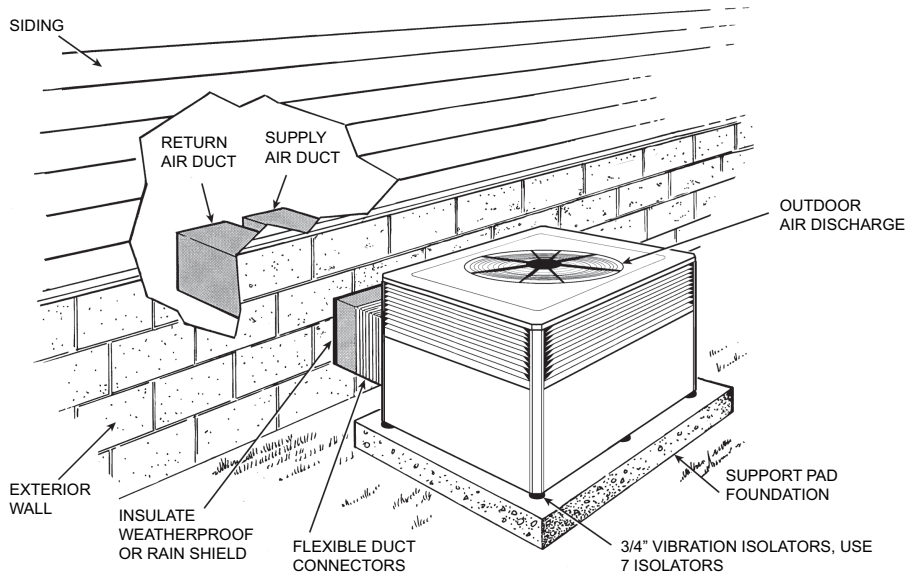
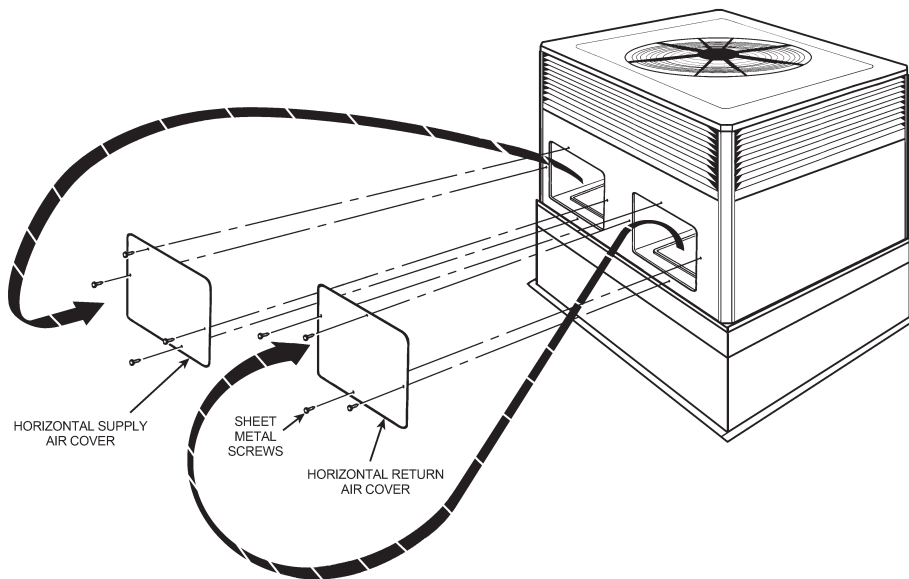


Figure 4. Converting horizontal to down airflow



Lifting and Rigging

⚠ WARNING

Improper Unit Lift!

Failure to properly lift unit in a **LEVEL** position could result in unit dropping and possibly crushing operator/technician which could result in death or serious injury, and equipment or property-only damage.

Test lift unit approximately 24 inches (61 cm) to verify proper center of gravity lift point. To avoid dropping of unit, reposition lifting point if unit is not level.

Important: Do not lift the unit without test lifting for balance and rigging. Do not lift the unit in windy conditions or above personnel. Do not lift the unit by attaching clevis, hooks, pins, or bolts to the unit casing, casing hardware, corner lugs, angles, tabs, or flanges. Failure to observe these warnings may result in equipment damage.

1. Before preparing the unit for lifting, check the unit dimension drawings for center of gravity for lifting safety ("Dimensional Data," p. 19). Because of placement of internal components, the unit's weight may be unevenly distributed. Approximate unit weights are also provided in the unit drawings.

Note: Unit rigging and hoisting requires accessory kit BAYLIFT002. It includes a kit of four (4) lifting lugs.

2. Insert the four lifting lugs in the openings provided in the drip lip on each end of the unit. A tap or jerk to the lug will overcome the interference that arises due to the dimple on the lug.
3. When hoisting the unit, be sure that a proper method of rigging is used. Use slings and spreader bars for protection during lifting. Always test-lift the unit to determine the exact unit balance and stability before hoisting it to the installation location.
4. When the curb and air ducts have been properly installed, the unit is ready to be hoisted to the roof and set in position.

Important:

- To prevent damage to the sides and top of the unit when hoisting use “spreader bars” as shown on Figure 6, p. 29.
- The unit must be lowered into position. The P.V.C. rubber tape on the curb flange permits the unit to be repositioned if required without destroying the P.V.C. rubber seals affixed to the mounting curb.

Placing the Unit on the Mounting Curb

1. The unit is designed with a perimeter drip lip that is lower than the unit base pan, see Figure 6, p. 29.
2. Position the unit drip lip down over and in contact with the outside corner of the curb. Continue to lower the

unit on top of the curb, with the unit drip lip astraddle, and in contact with, both the end and side rail of the curb. The unit should now rest on top of the curb. Consider using the extreme mounting kit, BAYEXMK001, to add additional hold down strength to the mounting.

Notes:

- For rooftop applications, the use of extreme mounting kits and vibration isolators is optional and not mandatory.
- The ductwork is installed as part of the curb installation. Do not attach ductwork to the unit and lower the unit with ductwork onto the curb.

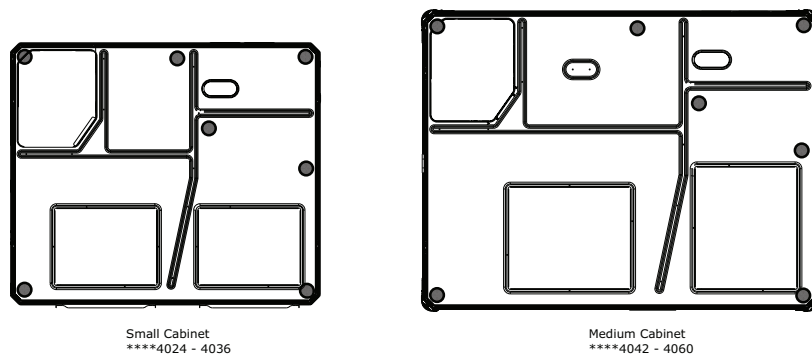
Vibration isolators / snow feet locations

Notes:

- The installation instructions indicate typical installation only, but actual installation may differ.
- These views represent the base as viewed looking up from underneath the unit.

Important: Unit vibration isolator support is recommended in the general areas shown. Locate 3/4-in. thick vibration isolators on the bottom of the basepan as illustrated by black dots for ground level pad applications. Modify vibration isolator location as necessary for frame and rail applications.

Figure 5. Vibration isolators / Snow feet locations



Rooftop Installation — Frame Mounting

For rooftop applications using field fabricated frame and ducts use the following procedure:

1. Locate and secure the frame to the roof by bolting or welding. Frame must provide adequate center support via a cross member centrally located channel rail. See Figure 9, p. 30. Vibration isolators should be installed as indicated in Figure 5, p. 27, adjust as necessary for your frame. The isolators must be placed on base pan, not drip lip. Add flashing as required. Flashing must conform to local building codes.

2. Prepare the hole in the roof in advance of installing the unit.
3. Secure the horizontal or down airflow ducts to the roof. Refer to the previous Convert from Horizontal Airflow to Down Airflow section if conversion is needed.
4. All fabricated outdoor ducts should be as short as possible.
5. Place the unit on the frame.
6. The unit must be mounted level for proper drainage of water through the holes in the base pan.
7. Secure the unit to the frame.

Unit Installation

8. Insulate any ductwork outside of the structure with at least two (2) inches of insulation and then weatherproof. There must be a weatherproof seal where the duct enters the structure.
9. The unit should not be exposed to direct roof water runoff.
10. Flexible duct connectors must be of a flame retardant material. All ductwork outside of the structure must be insulated and weatherproofed in accordance with local codes.
11. Access and service clearances for the unit must be given careful consideration when locating the duct entrance openings. “[Dimensional Data](#),” p. 19 provide unit dimensions.
12. Continue with the following installation sections to complete the installation: Ductwork, Filter, and Electrical Wiring.

Rooftop Installation — No Curb/Frame

For roof top applications using field fabricated ducts and sleeper rails rather than a curb or frame, use the following procedure:

1. Locate and secure the sleeper rails to the roof by bolting (three (3) rails required). One on each end to support the edges of the unit and one across the center of the unit. The center rail must run inside both drip lips. Vibration isolators should be installed, adjust as necessary for your sleeper rails. The isolators must be placed on base pan, not drip lip. Add flashing as required. Flashing must conform to local building codes.
2. Prepare the hole in the roof in advance of installing the unit.
3. Secure the horizontal or down airflow ducts to the roof. Refer to the previous Convert from Horizontal Airflow to Down Airflow section if conversion is needed.
4. All fabricated outdoor ducts should be as short as possible.
5. Place the unit on the rails.
6. The unit must be mounted level for proper drainage of water through the holes in the base pan.
7. Secure the unit to the rails.
8. Insulate any ductwork outside of the structure with at least two (2) inches of insulation and then weatherproof. There must be a weatherproof seal where the duct enters the structure.
9. No exposure to direct roof water runoff.
10. Flexible duct connectors must be of a flame retardant material. All ductwork outside of the structure must be insulated and weatherproofed in accordance with local codes.
11. Access and service clearances for the unit must be given careful consideration when locating the duct entrance openings. “[Dimensional Data](#),” p. 19 provide unit dimensions.
12. Continue with the following installation sections: Ductwork, Filter and Electrical Wiring.

Figure 6. Lifting and rigging

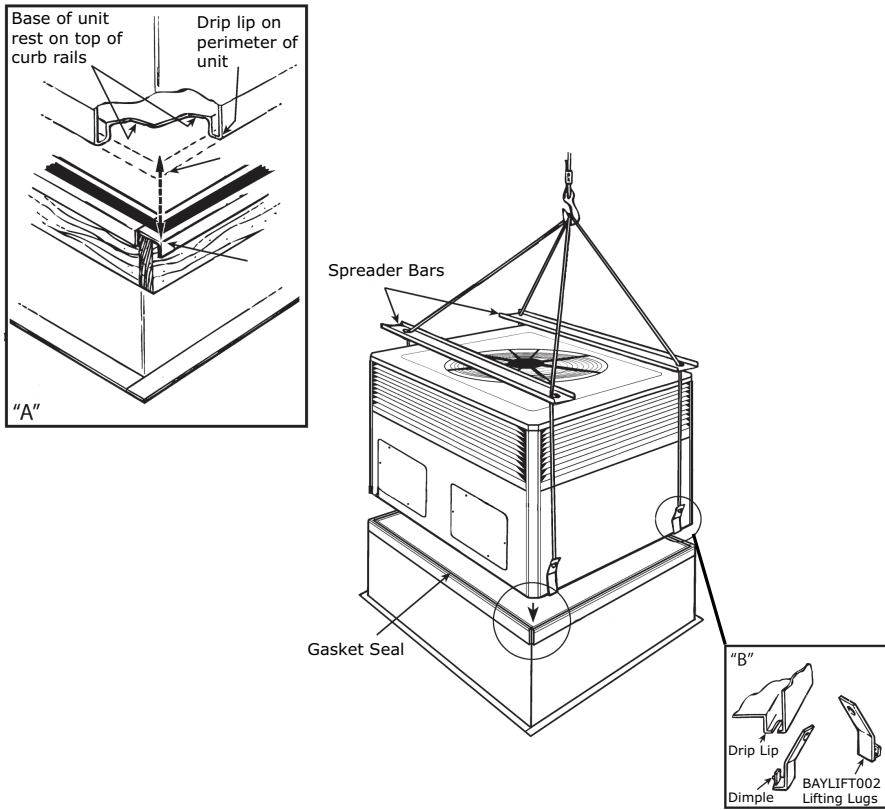


Figure 7. Curb dimensions

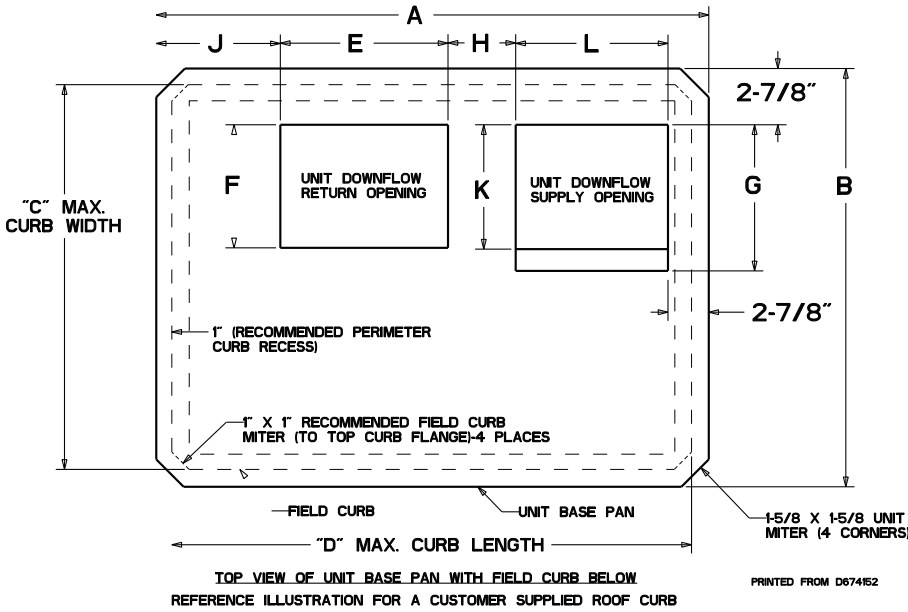


Table 9. Curb dimensions (inch)

Model	A	B	C	D	E	F	G	H	J	K	L
5 TC*, YC*, WC*, DC*018, 024, 030, 036	48-3/8	40-7/8	38-7/8	46-3/8	16	12	—	6-5/8	6-7/8	12	16
5 TC*, YC*, WC*, DC*042, 048, 060	58	43-7/8	41-7/8	56	18	15	18	9-5/8	12-1/2	—	15

Unit Installation

This drawing was prepared by the manufacturer in order to provide detail regarding job layout only. This drawing is not intended to be used as a basis to construct, build or modify the item depicted in the drawing. The manufacturer is not

responsible for the unauthorized use of this drawing and expressly disclaims any liability for damages resulting from such unauthorized use.

Figure 8. Typical rooftop horizontal airflow application with frame

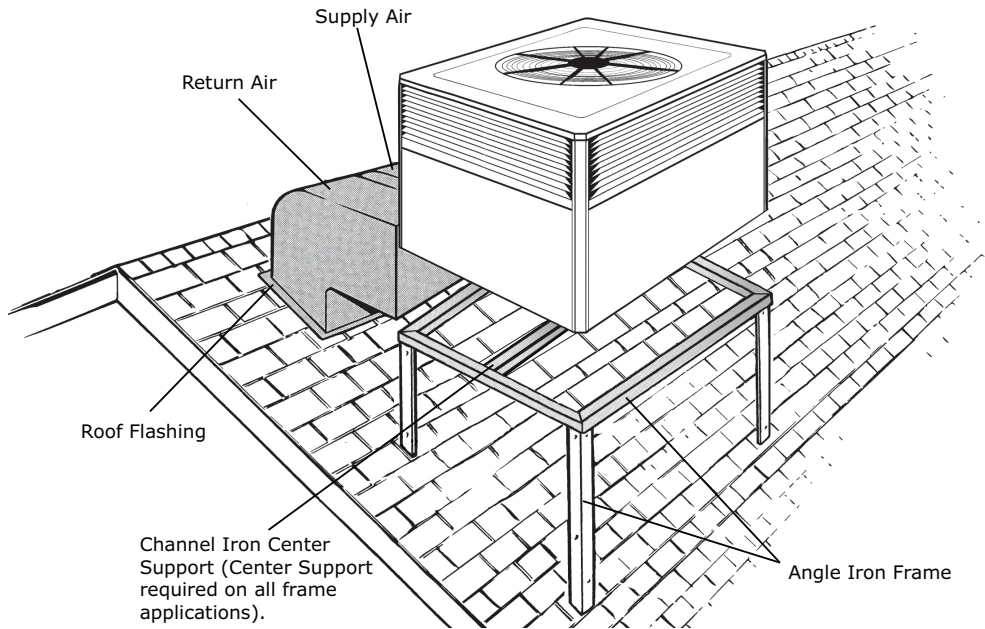
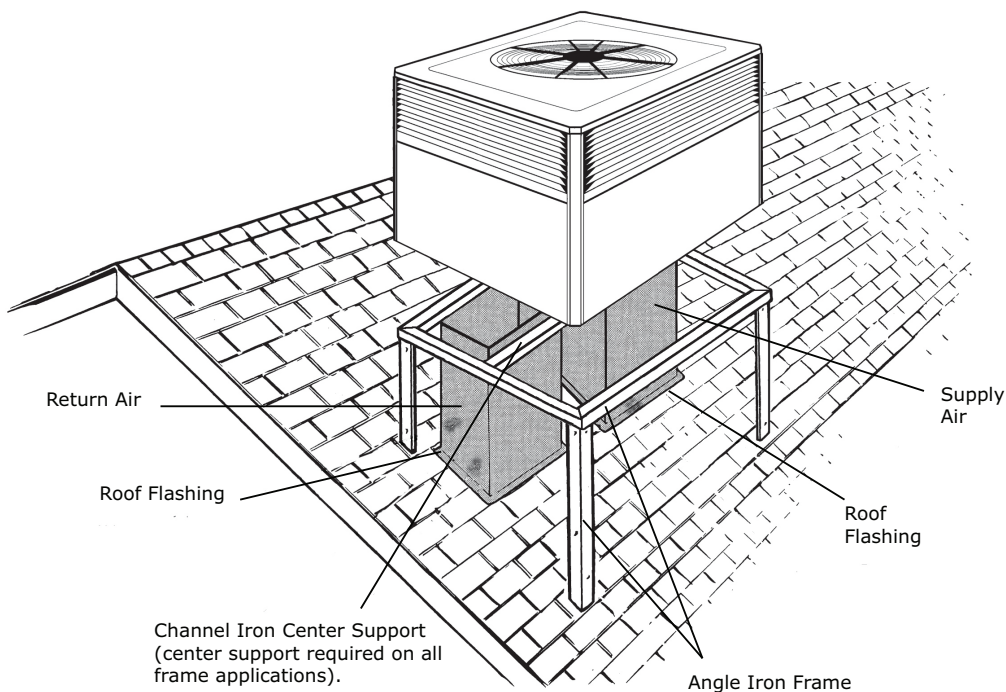


Figure 9. Typical rooftop down airflow application with frame



Ductwork Installation

Attaching Downflow Ductwork to Roof Curb

Supply and return air flanges are provided on the roof curb for easy duct installation. All ductwork must be run and attached to the curb before the unit is set into place.

Attaching Downflow Ductwork to Roof Frame

Follow these guidelines for ductwork construction:

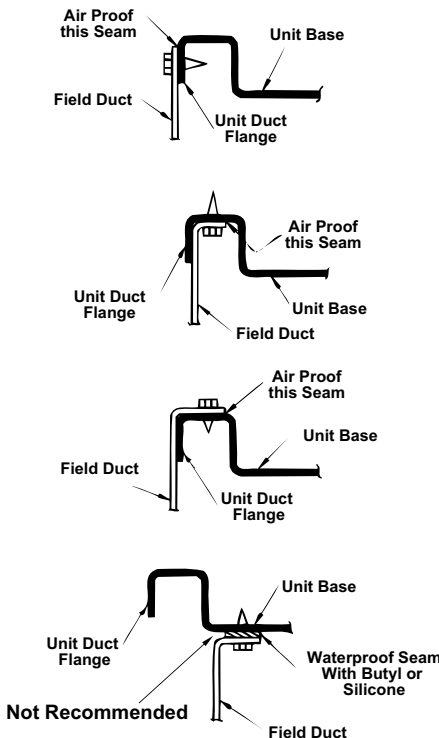
Connections to the unit should be made with three (3) inch canvas connectors to minimize noise and vibration transmission.

Elbows with turning vanes or splitters are recommended to minimize air noise and resistance.

The first elbow in the ductwork leaving the unit should be no closer than two (2) feet from the unit, to minimize noise and resistance.

To prevent leaking, do not attach the ductwork to the bottom of the unit base. Refer to the bottom example in the figure below.

Figure 10. Attaching down airflow ductwork



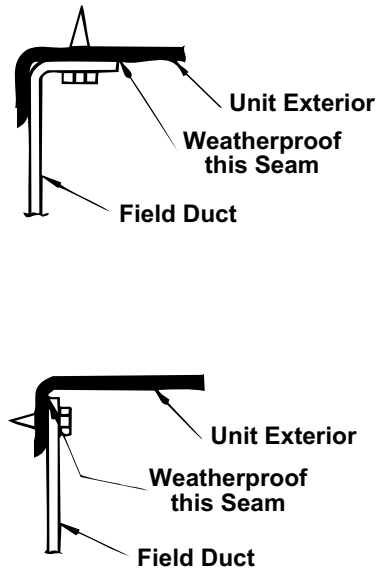
Attaching Horizontal Ductwork to Unit

All conditioned air ductwork should be insulated to minimize heating and cooling duct losses. Use a minimum of two (2) inches of insulation with a vapor barrier. The outside ductwork must be weatherproofed between the unit and the building.

When attaching ductwork to a horizontal unit, provide a flexible watertight connection to prevent noise transmission from the unit to the ducts. The flexible connection **must** be indoors and made out of heavy canvas.

Note: Do not draw the canvas taut between the solid ducts.

Figure 11. Attaching horizontal airflow ductwork



Condensate Drain Piping

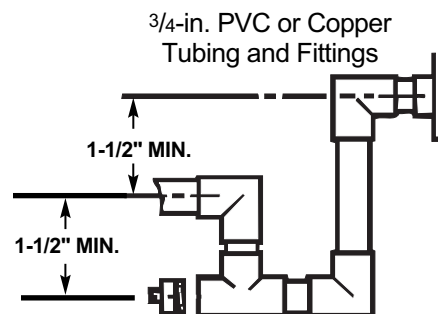
A 3/4-inch female NPT condensate drain connection is provided on the evaporator access panel end of the unit. Provide a trap and fill it with water before starting the unit to avoid air from being drawn through. Follow local codes and standard piping practices when running the drain line. Pitch the line downward away from the unit. Avoid long horizontal runs. See Figure 12, p. 31.

Note: Do not use reducing fittings in the drain lines.

The condensate drain must be:

- Made of 3/4-in. pipe size
- Pitched 1/4-in. per foot to provide free drainage to convenient drain system
- Trapped
- Must be connected to a closed drain system unless the trap is properly vented

Figure 12. Typical condensate drain piping



Gas Piping Installation

⚠ WARNING

Fire or Explosion Hazard!

Failure to follow safety warnings exactly could result in serious injury, death, or or property damage. Never test for gas leaks with an open flame. Use a commercially available soap solution made specifically for the detection of leaks to check all connections. A fire or explosion can result causing property damage, personal injury, or loss of life.

Important: Before making the gas pipe connection, give serious consideration to providing the clearance necessary to remove the access panels on the unit (e.g., economizer and filter access panels).

Note: In the absence of local codes, the installation must conform with American National Standard–Z223.1–National Fuel Gas Code, Latest Revision.

The available gas supply must agree with the required gas supply marked on the unit nameplate. Minimum permissible gas supply pressure for purpose of input adjustment must be at least 7.0 in. w. c. (inches water column) for natural gas and 11 in. w. c. for LP Gas.

Pipe Delivery Schedule

Note: The following procedure and tables apply to Natural Gas only.

1. Obtain from the gas company the heating value and specific gravity of the gas delivered.
2. Determine the exact length of pipe needed.
3. Read BTUH input nameplate on the furnace.
4. Use the multiplier opposite the specific gravity of the gas given in Multiplier Table and insert in the following formula:
5. Use the Natural Gas Only table and select the pipe length nearest to calculated size.

$$CFH = \frac{\text{Furnace Input in BTUH}}{\text{Gas Heat Contne in BTU/Cu. Ft. X Multiplier}}$$

6. Follow this line vertically down to the exact CFH found in Step 4 above or the next highest value.
7. Read horizontally to the left of this column for the required pipe size diameter.

Table 10. Specific gravity multiplier

	Specific Gravity	Multiplier
Multipliers to be used when the specific gravity of the gas is other than 0.060	0.50	1.10
	0.55	1.04
	0.60	1.00
	0.65	.962

Note: If this is an LP Gas application, consult your LP Gas supplier for pipe sizes and deliveries.

Table 11. Natural gas only

Table of cubic feet per hour of gas for various pipe sizes and lengths							
PIPE SIZE (inch)	10	20	30	40	50	60	70
1/2	132	92	73	63	56	50	46
3/4	278	190	152	130	115	105	96
1	520	350	285	245	215	195	180
1–1/4	1050	730	590	520	440	400	370

Note: This table is based on a pressure drop of 0.3-in. w.c. and 0.6 sp.gr. gas.

Gas Pressure Set-up Precautions

Important: Do not connect gas piping to the unit until a line pressure test has been completed. This unit should never be exposed to gas line pressure in excess of 14 inches water column (1/2 PSIG). The furnace and its equipment shutoff valve must be disconnected from the gas supply piping system during any pressure testing of that system at test pressures in excess of 1/2 psi.

The furnace must be isolated from the gas supply piping system by closing its individual manual shut-off valve during any pressure testing of the gas supply piping system at test pressures less than or equal to 1/2 psig (3.48 kPa).

Gas Supply Line Pressure

Before connecting the unit to the gas supply line, be sure to determine the gas pressure in the line.

If the gas supply pressure is excessive (above 14 inches water column or 1/2 psig), install a pressure regulator either at the supply source or in the branch circuit serving the unit. Once the regulator is installed, set it to provide a pressure of 7 inches water column with the unit operating and no greater than 14 inches water column with the unit not firing.

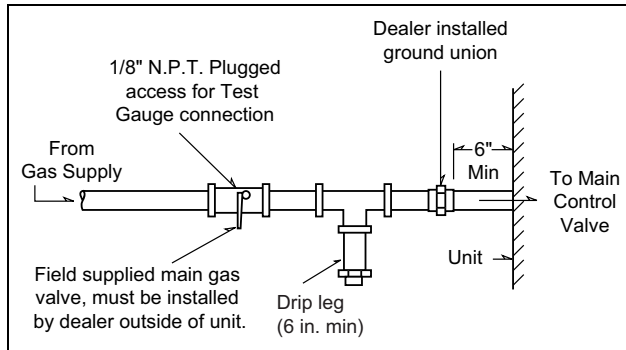
Note: Gas pressure in excess of 14 inches water column (1/2 psig) may damage the regulator, while improper regulation may result at pressures lower than 5.5 inches water column at the unit inlet.

If the supply line pressure is below the minimum supply pressure indicated on the unit nameplate, contact the gas supply company.

Follow these steps to complete the installation of the unit gas piping. See Table 12, p. 33.

Note: The shut-off gas cock must be installed outside of the unit and should meet the specifications of all applicable national and local codes.

Table 12. Gas pipe



1. Install a ground union joint downstream of the shut-off cock. This joint must also be installed outside of the unit.
2. Install a drip leg at least six (6) inches in depth next to the union as shown in Figure 12, p. 31. This drip leg is required to collect any sediment that may be deposited in the line.
3. Before connecting the piping circuit to the unit, bleed the air from the supply line and then cap or plug the line and test the pressure at the tapped shut-off cock. The pressure reading should not exceed 13.8 inches water column.
4. Using an appropriate backup wrench on the gas valve inlet boss, connect the gas piping to the unit. Check the completed piping for leaks using a soap and water solution or the equivalent.
5. After installation of the gas pipe in the unit, the pipe opening should be closed with the filler/barrier plug provided.

Verify Manifold Pressure

Check the manifold pressure at the unit gas valve. Do not exceed the recommended pressure shown on the unit nameplate. See for connections. Refer to Manifold Pressure Check and Adjust in the following Step 5-Unit Start-up section if adjustment is needed.

Input Check and Adjustment

1. Make sure all gas appliances are off except the furnace.
2. Clock the gas meter with the furnace operating (determine the dial rating of the meter) for one revolution.
3. Match the "Sec" column in the Gas Flow (in cfh) with the time clocked.
4. Read the "Flow" column opposite the number of seconds clocked.
5. Lists values for a 2 cubic foot dial. For 1, 1/2, or 5 Cu. Ft. dials use the following conversions:
 - 1 Cu. Ft. Dial Gas Flow CFH = Chart Flow Reading / 2

- 1/2 Cu Ft. Dial Gas Flow CFH = Chart Flow Reading / 4
 - 5 Cu. Ft. Dial Gas Flow CFH = 10X Chart Flow Reading / 4
6. Multiply the final figure by the heating value of the gas obtained from the utility company and compare to the nameplate rating. This must not exceed the nameplate rating.
 7. Changes can be made by adjusting the manifold pressure. Attach a manifold pressure gauge to the Outlet Pressure Tap.

Note: For manifold pressures and orifice sizes for gas with other BTU ratings, contact the local gas utility. Manifold pressure should be 3.5 inches water column (+ 0.1). Input for natural gas must not exceed the value shown on the rating plate.

8. Follow the appropriate steps based on the gas valve model.

Gas Valve Adjustment

General Safety Precautions

1. Verify the gas supply to the appliance is turned off before making any adjustments.
2. Turn off all electrical power to the system to prevent accidental ignition.

Tools and Equipment Needed

- Manifold pressure gauge
- Flexible tubing
- 3/32-inch and 5/32-inch hex wrench
- Straight screwdriver
- Leak detection solution or soap suds

White Rodgers Gas Valve Adjustment

1. Loosen Pressure Tap Test Screw:
 - a. Loosen (do not remove) the pressure tap test set screw one turn with a 3/32-inch hex wrench.
 - b. Attach a manifold pressure gauge with flexible tubing to the outlet pressure boss marked "OUT P" on the White Rodgers gas valves. See Figure 14, p. 35 and Figure 15, p. 35.
2. Turn on system power with NO call for heat.
3. Adjust Second Stage Manifold Pressure:

Note: For single stage units, follow the steps for second stage adjustment.

- a. Make a call for second stage heating. Confirm the unit is in second stage heating by verifying 24Vac is measured between C and HI on the gas valve.
- b. Remove the high (HI) adjustment regulator cover screw. See Figure 17, p. 36.
- c. Adjust the HI outlet pressure by turning the regulator adjust screw:

Unit Installation

- i. Clockwise to increase pressure.
 - ii. Counterclockwise to decrease pressure.
 - d. Adjust until the pressure shown on the manometer matches the specified pressure in .
 - e. Replace and tighten the regulator cover screw securely.
4. Adjust First Stage Manifold Pressure:
 - a. Remove the call for second stage heat. First stage heat is now running.
 - b. Remove the low (LO) adjustment regulator cover screw. See [Figure 16, p. 36](#).
 - c. Adjust the LO outlet pressure by turning the regulator adjust screw:
 - i. Clockwise to increase pressure.
 - ii. Counterclockwise to decrease pressure.
 - d. Adjust until the pressure shown on the manometer matches the specified pressure in .
 - e. Replace and tighten the regulator cover screw securely.
5. Cycle the valve several times to verify regulator settings. Repeat adjustments if needed.
6. Turn off all electrical power to the system.
7. Remove Manometer and Tighten Pressure Tap Screw.
8. Remove the manometer and flexible tubing.
9. Tighten the pressure tap screw.
10. Using a leak detection solution or soap suds, check for leaks at the pressure outlet boss and pressure tap test screw.
11. Turn on system power and check the operation of the unit.

Sanhua Gas Valve Adjustment

1. Loosen Pressure Tap Test Screw:
 - a. Loosen (do not remove) the pressure tap test set screw one turn with a 3/32-inch hex wrench.
 - b. Attach a manifold pressure gauge with flexible tubing to the outlet pressure boss marked OUT P on the Sanhua gas valve. See [Figure 18, p. 36](#).
2. Turn on system power with NO call for heat.

3. Remove the protection cap on the pressure regulator. See [Figure 18, p. 36](#).

4. Adjust HI Outlet Pressure:

Note: For single stage units, follow the steps for second stage adjustment. Use 5/32-inch hex wrench to remove protective cover. See [Figure 19, p. 37](#).

- a. Make a call for second stage heating. Ensure the unit is in second stage heating by verifying 24Vac is measured between C and HI on the gas valve.
 - b. Adjust the HI outlet pressure by rotating the HI pressure point on the regulator with a straight screwdriver to meet the setting requirement of HI pressure in .
 - i. Clockwise to increase pressure.
 - ii. Counterclockwise to decrease pressure.
 - iii. See [Figure 20, p. 37](#).
5. Adjust Low Outlet Pressure:
 - a. Remove the call for second stage heat. First stage heat is now running.
 - b. Adjust the Low outlet pressure by rotating the Low pressure adjustment point on the regulator with a 3/32-inch hex wrench to meet the setting requirement of Low pressure in table.
 - i. Clockwise to increase pressure.
 - ii. Counterclockwise to decrease pressure. See [Figure 21, p. 37](#).
6. Cycle the valve several times to verify regulator settings. Repeat adjustments if needed.
7. Turn Off System Power:
 - a. Turn off all electrical power to the system.
 - b. Remove Manometer
 - c. Tighten Pressure Tap Screw
8. Remove the manometer and flexible tubing.
9. Tighten the pressure tap screw.
10. Using a leak detection solution or soap suds, check for leaks at the pressure outlet boss and pressure tap test screw.
11. Turn on system power and check the operation of the unit.

Figure 13. Burner and valve

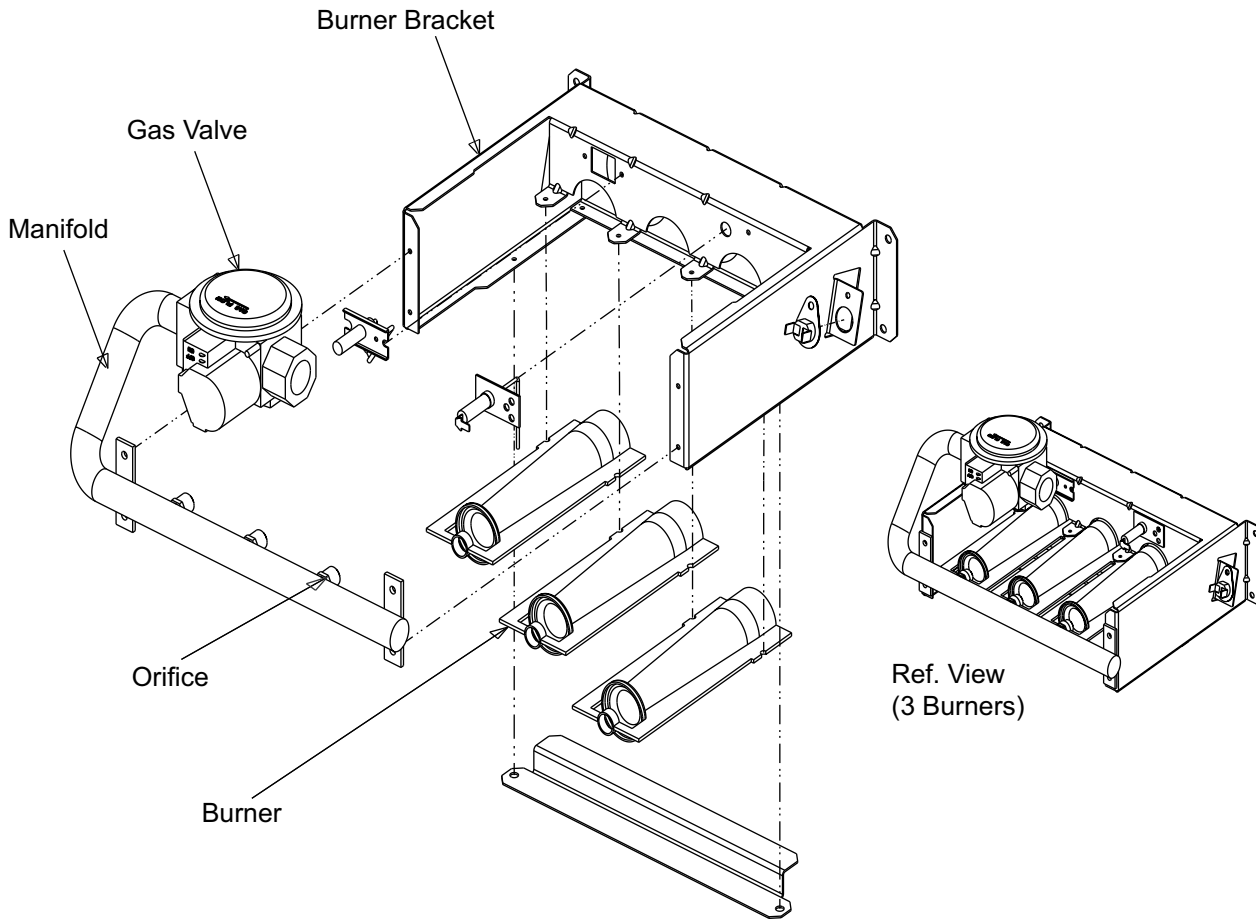


Figure 14. White-Rodgers single-stage gas valve only

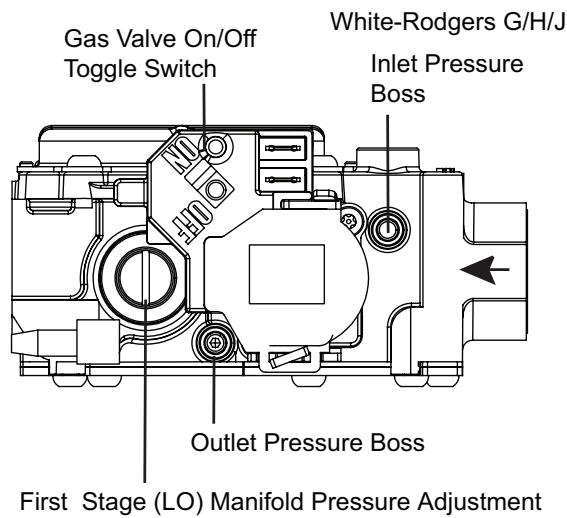
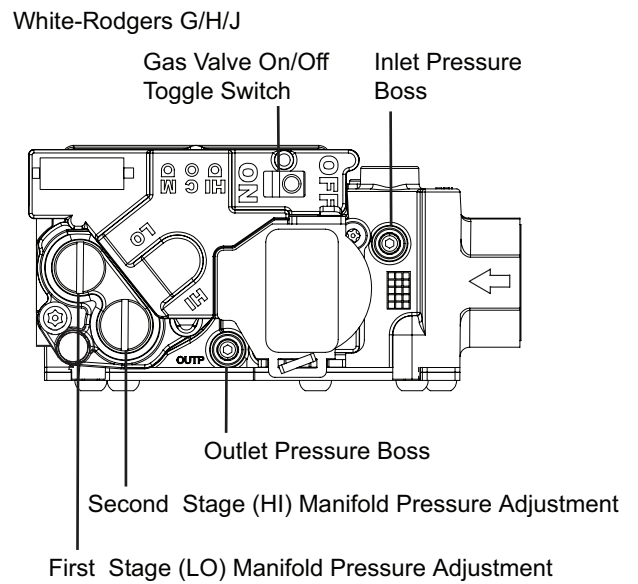


Figure 15. White-Rodgers two-stage gas valve only



Unit Installation

Figure 16. White-Rodgers single-stage gas valve - LP spring installation

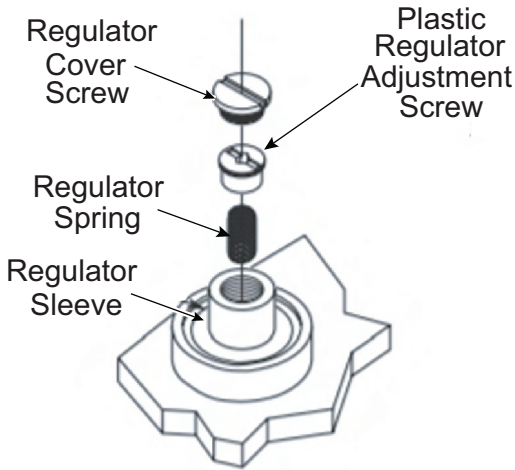


Figure 17. White-Rodgers two-stage gas valve - LP spring installation

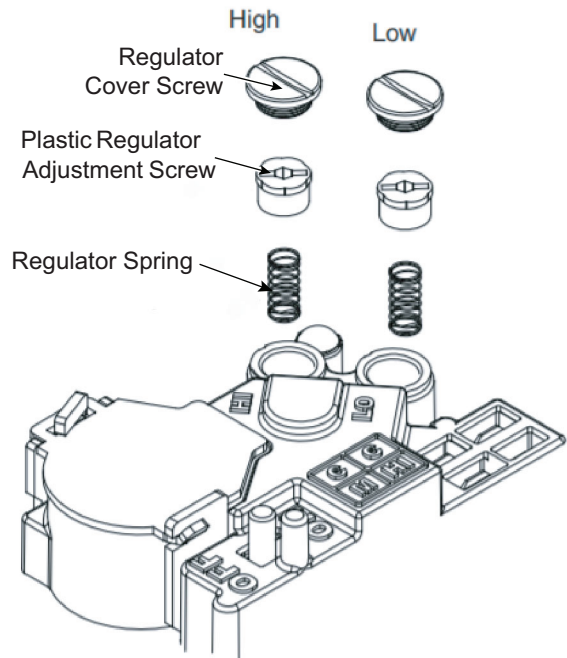


Figure 18. Sanhua two-stage gas valve

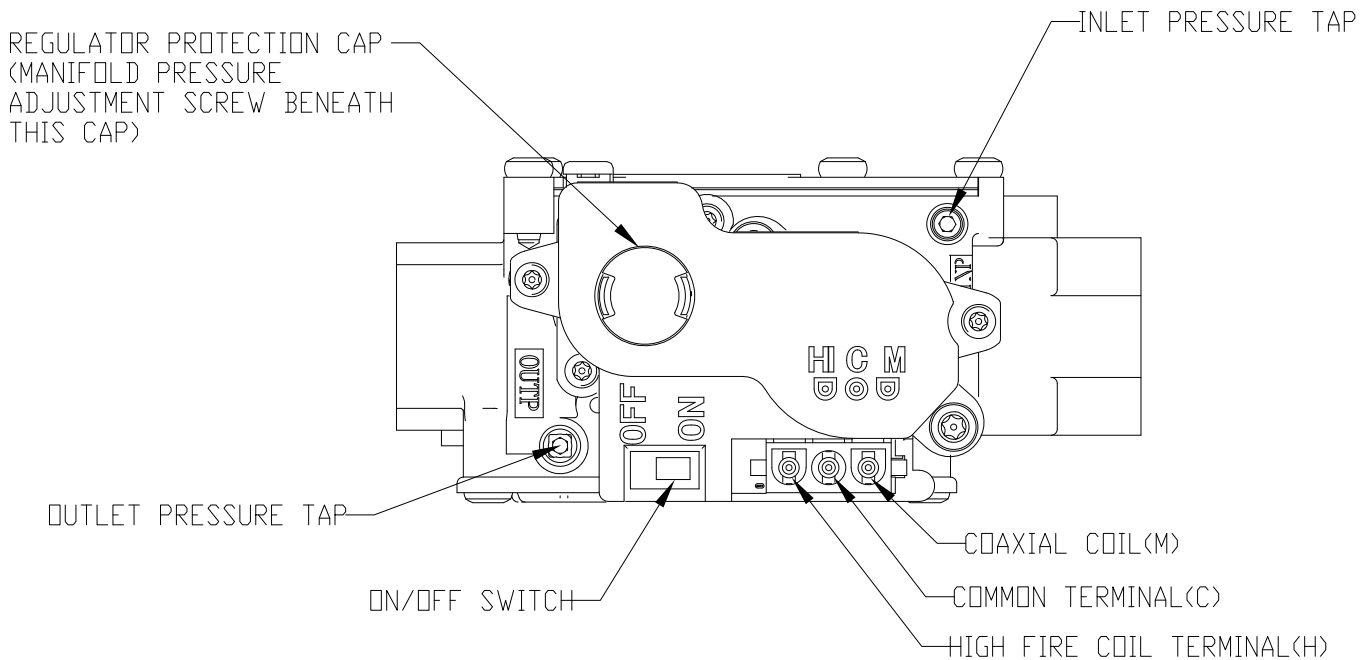
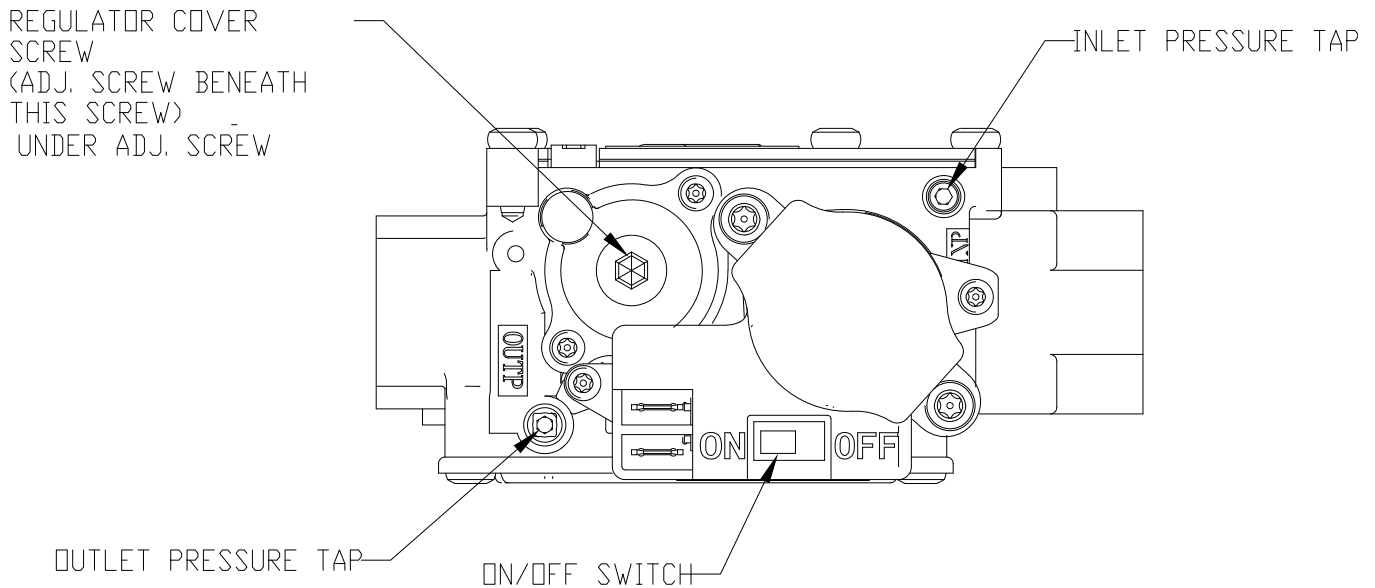


Figure 19. Sanhua single-stage gas valve



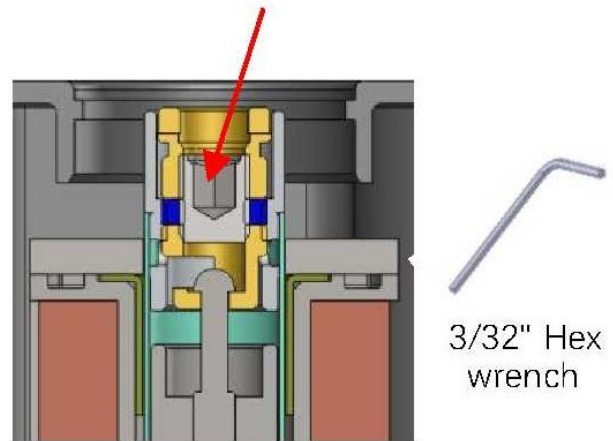
REF. VIEW
(GAS VALVE)

Figure 20. Sanhua gas valve high pressure adjustment



Figure 21. Sanhua gas valve low pressure adjustment

Low pressure adjustment point



High Altitude Installation

Input ratings (BTUH) of these furnaces are based on sea level operation and should not be changed at elevations up to 2000 ft. If the unit installation is from 2000 to 8000 feet elevation, then change the burner orifices to the size listed in Table 14, p. 38. Refer to Table 15, p. 38 for orifice part numbers.

Note: This appliance should not be operated at altitudes exceeding 8000 feet.

Unit Installation

Table 13. Gas flow (in cfh)

Sec.	Flow	Sec.	Flow	Sec.	Flow	Sec.	Flow
8	900	29	248	50	144	82	88
9	800	30	240	51	141	84	86
10	720	31	232	52	138	86	84
11	655	32	225	53	136	88	82
12	600	33	218	54	133	90	80
13	555	34	212	55	131	92	78
14	514	35	206	56	129	94	76
15	480	36	200	57	126	96	75
16	450	37	195	58	124	98	73
17	424	38	189	59	122	100	72
18	400	39	185	60	120	104	69

Table 13. Gas flow (in cfh) (continued)

Sec.	Flow	Sec.	Flow	Sec.	Flow	Sec.	Flow
19	379	40	180	62	116	108	67
20	360	41	176	64	112	112	64
21	343	42	172	66	109	116	62
22	327	43	167	68	106	120	60
23	313	44	164	70	103	124	58
24	300	45	160	72	100	128	56
25	288	46	157	74	97	132	54
26	277	47	153	76	95	136	53
27	267	48	150	78	92	140	51
28	257	49	147	80	90	144	50

Table 14. Orifice twist drill size

Orifice Twist Drill Size if Installed at Sea Level	Altitude Above Sea Level and Orifice Change Required for that Elevation						
	2000	3000	4000	5000	6000	7000	8000
32	33	34	35	35	36	36	37
33	35	35	36	36	37	38	38
37	38	39	39	40	41	42	42
49	50	50	50	51	51	51	52
52	52	53	53	53	53	53	54

From National Fuel Gas Code — Table F-4

Table 15. Orifice part numbers

Drill Size	Part Number	Drill Size	Part Number
32	ORF01307	41	ORF01413
33	ORF0134	42	ORF01410
34	ORF01335	49	ORF01333
35	ORF01407	50	ORF01332
36	ORF01408	51	ORF01336
37	ORF01406	52	ORF01331
38	ORF01306	53	ORF01411
39	ORF01409	54	ORF01412
40	ORF01336		

Table 16. Determine filter size

Unit	Nominal CFM	Filter Size (Sq ft.)	Filter ^(a) Resistance (W. C.)
5YC~4024A	800	2.67	0.08
5YC~4030A	1000	3.33	0.08
5YC~4036A	1200	4.00	0.08
5YC~4042A	1400	4.67	0.08
5YC~4048A	1600	5.33	0.08
5YC~4060A	2000	6.67	0.08

^(a) Filters must be installed in the return air system. The above square footages are based on 300 F.P.M. face velocity. If permanent filters are used, size per mfg. Recommendation with clear resistance of 0.05" WC.

Air Filter Installation

The packaged unit requires an air filter. The unit does not come with a factory installed filter rack in it, however, two filter frame accessories are offered that will allow the installation of a filter within the unit, BAYFLTR101 and BAYFLTR201. Otherwise a field supplied filter rack must be installed by the installer in the return ductwork.

Affix the filter label supplied with the unit adjacent to the filter area. Refer to to determine filter size.

Important: Air filters and media wheels or plates shall meet the test requirements in UL 900.

Electrical Wiring

⚠ WARNING

High Voltage Moving Parts!

Failure to follow instructions below could result in death or serious injury or property damage due to high voltage electrical components, fast-moving fans, and combustible gas.

During installation and servicing, turn off the main gas valve and disconnect the electrical supply. If operating checks must be performed with the unit operating, the technician must recognize these hazards and proceed safely.

Note: This unit is factory wired for 230V. See wiring diagram for 208V conversion.

Electrical Connections

Electrical wiring and grounding must be installed in accordance with local codes or, in the absence of local codes, with the National Electrical Code ANSI/NFPA 70, Latest Revision.

Electrical Power

It is important that proper electrical power be available for the unit. Voltage variation should remain within the limits stamped on the unit nameplate.

Disconnect Switch

Provide an approved weatherproof disconnect within close proximity and within sight of the unit. If disconnect must be mounted to the cabinet, the location shown in Figure 24, p. 39 should be the only one considered.

Over Current Protection

The branch circuit feeding the unit must be protected as shown on the unit's rating plate.

Power Wiring

The power supply lines must be run in weather-tight conduit to the disconnect and into the side of the unit control box. Provide strain relief for all conduit with suitable connectors.

Provide flexible conduit supports whenever vibration transmission may cause a noise problem within the building structure.

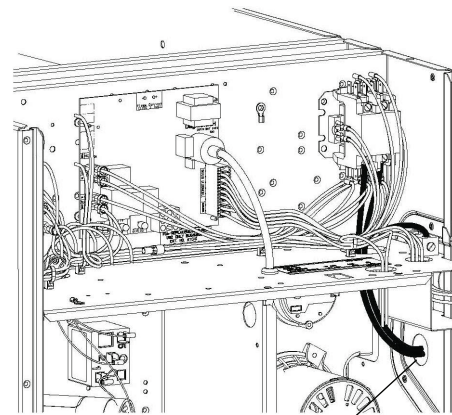
1. Remove the Control/Heat access panel. Pass the power wires through the Power Entry hole in the end of the unit. See Figure 22, p. 39.
2. Connect the high voltage wires to the appropriate contactor terminals. Single phase units use a two (2) pole contactor and three phase units use three (3) pole contactor. Connect the ground to the ground lug on the chassis. See Figure 24, p. 39. Ensure all connections are tight.

Grounding:

The unit must be electrically grounded in accordance with local codes or the national electric code.

Note: Unit must be grounded for ignitor to operate properly. Gas pipe to unit is not an adequate ground. Ground the unit internally as provided. See wiring diagram for location in.

Figure 22. Power wiring



Run power supply lines through weather-tight conduit and secure to unit with strain relief.

Figure 23. Power connections

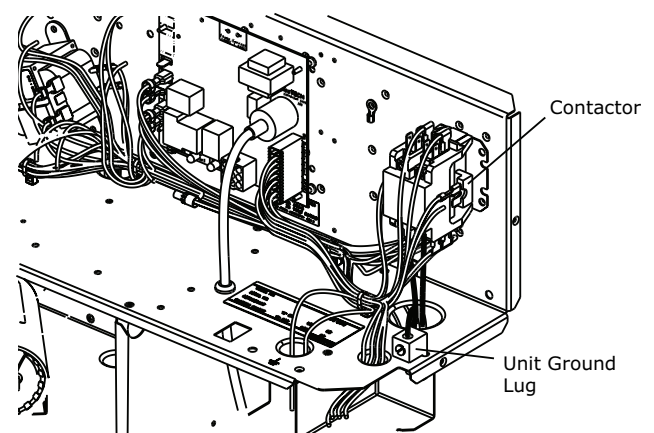
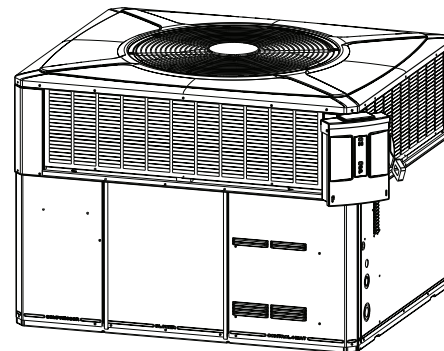


Figure 24. Mounted disconnect location



Control Wiring (Class II)

Low voltage control wiring should not be run in conduit with power wiring unless Class 1 wire of proper voltage rating is used. Route the thermostat cable or equivalent single leads

Unit Installation

of No. 18 AWG colored wire from the thermostat subbase terminals through the rubber grommet on the unit. See Unit Clearance Graphics for the control entry (24V Entry) location. Make connections as shown on the unit wiring diagram.

Do not short thermostat wires since this will damage the control transformer.

Refer to Table 17, p. 40 for recommended wire sizes and lengths for installing the unit thermostat. The total resistance of these low voltage wires must not exceed one (1) ohm. Any resistance in excess of 1 ohm may cause the control to malfunction because of the excessive voltage drop.

Table 17. Thermostat wire size and max. length

Wire Size	Maximum Length
18	75
16	125
14	200

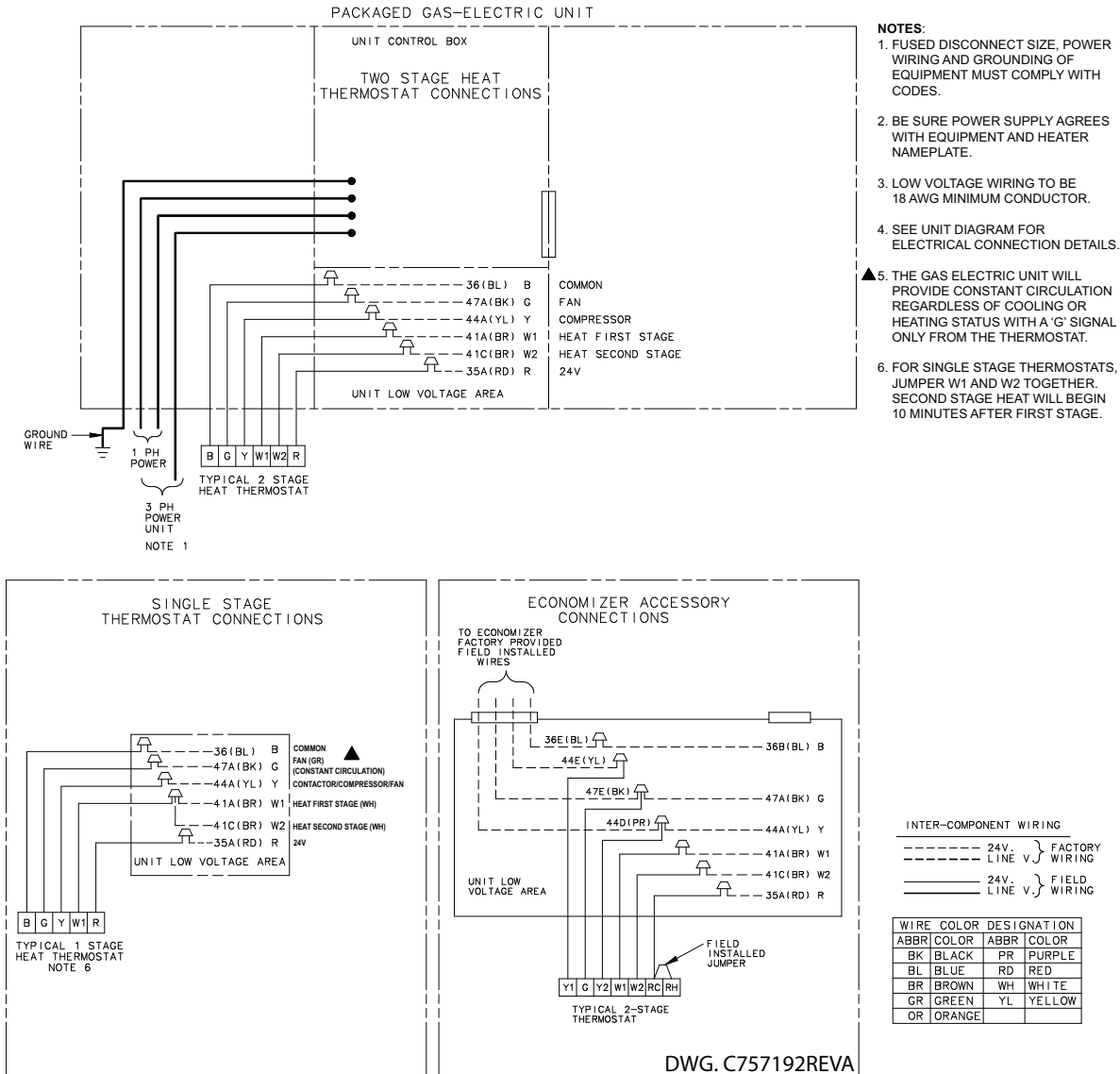
Thermostat Heat Anticipator

Set the heat anticipator of the thermostat to equal the amperage draw of the gas valve

Important: Upon completion of wiring, check all electrical connections, including factory wiring within the unit.

Make sure all connections are tight. Replace and secure all electrical box covers and access panels before leaving the unit or turning on the power to the unit.

Figure 25. 5YCC4 — Field wiring diagram



Unit Start-Up

Pre-Start Quick Checklist

- Is the unit properly located and level with the proper clearances? See “[Dimensional Data](#),” p. 19.
- Is the ductwork correctly sized, run, taped, insulated, and weatherproofed with proper unit arrangement as shown in the “[Ductwork Installation](#),” p. 31 section?
- Is the condensate line properly sized, run, trapped, and pitched and shown in the “[Condensate Drain Piping](#),” p. 31 section?
- Is the gas piping correctly sized, run, trapped, and purged of air? See “[Gas Piping Installation](#),” p. 32 section.
- Is the filter of the correct size and quantity? Is it clean and in place? See “[Air Filter Installation](#),” p. 38 section.
- Is the wiring properly sized and run according to the unit wiring diagram?
- Are all the wiring connections, including those in the unit tight?
- Has the unit been properly grounded and fused with the recommended fuse size?
- Is the thermostat well located, level, and correctly wired? See “[Electrical Wiring](#),” p. 39 section.
- Have the air conditioning systems been checked at the service ports for charge and leak tested if necessary?
- Do the condenser fan and indoor blower turn free without rubbing and are they tight on the shafts?
- Has the indoor blower speed been determined and the proper speed been set? To adjust the fan, see the Indoor Fan Motor Speed Tap Setting section.
- Has all work been done in accordance with applicable local and national codes?
- Are all covers and access panels in place to prevent air loss and safety hazards?

Starting the Unit in Cooling Mode

Note: See the section on “[Sequence of Operation](#),” p. 42 for a description of the cooling operating sequence.

To start the unit in the cooling mode, set the thermostat system switch to COOL and move the thermostat COOL indicator to a setting below room temperature. The condenser fan motor, compressor and evaporator fan motor will operate automatically.

Operating Pressure Checks

After the unit has operated in the cooling mode for a short period of time, install pressure gauges on the gauge ports of the discharge and suction line valves (behind the Compressor access panel). Check the suction and discharge pressures and compare them to the normal

operating pressures provided in the “[Pressure Curves](#),” p. 46.

Note: Do not use the Pressure Curves to determine the unit refrigerant charge. The correct charge is shown on the unit nameplate. To charge the system accurately, weigh in the charge according to the unit nameplate and check subcooling against the Subcooling Charging Table in [Table 5](#), p. 17.

Voltage Check

With the compressor operating, check the line voltage at the unit (contactor is located behind the Control/Heat access panel). The voltage should be within the range shown on the unit nameplate. If low voltage is encountered, check the size and length of the supply line from the main disconnect to the unit. The line may be undersized for the length of the run.

Cooling Shutdown

At the thermostat, place the system selector to the OFF position or reset the thermostat to a setting above room temperature.

Important: De-energize the main power disconnect ONLY when servicing the unit. Power may be required to keep the heat pump compressor warm and to boil off refrigerant in the compressor.

Starting the Unit in Heating Mode

Note: See the section on “[Sequence of Operation](#),” p. 42 for a description of the heat pump heating operating sequence.

These units are equipped with a solid-state ignition control that lights the burners each time the thermostat calls for heat. The burners are extinguished during the OFF cycle. To start the gas heating section of the unit:

1. Check that all grills and registers are open and all unit access panels are closed before start-up.
2. Purge the gas supply line of air by opening the union ahead (upstream) of the unit. When the odor of gas is detected, retighten the union and wait five (5) minutes before proceeding.
3. Be sure the thermostat is at its lowest setting and the power to the unit is off.
 - a. Turn the main shut-off valve on the gas supply line to ON.
 - b. Turn the thermostat to the highest setting in the heating cycle.
4. Be sure the burner compartment access panel is in place.
 - a. Turn on the electrical power to the unit.
 - b. Turn the thermostat to the highest setting in the heating cycle.

5. As the thermostat calls for heat, the system cycles as follows:
 - a. The combustion blower is energized.
 - b. The pressure switch is closed.
 - c. The gas valve opens and the ignitor lights the burner.
 - d. Cycle the thermostat on and off a few times to check out the control system and burner operation characteristics.

Note: For manifold pressures and orifice sizes for gas with other BTU ratings, contact the local gas utility. Manifold pressure should be 3.5 inches w.c. (+0.1). Input must **not** exceed the value shown on the rating plate.
 - e. With the burner operating, check the manifold pressure with a manometer.
6. Do not exceed recommended pressures. If the manifold pressure needs adjustment, refer to Manifold Pressure Check and Adjust in the Maintenance section. With the burners operating, check the manifold pressure with a manometer.
7. If necessary, adjust the unit to obtain an air temperature rise with that specified on the unit nameplate. To adjust, refer to the Indoor Fan Motor Speed Adjustment in the Maintenance section.

Note: Blue smoke produced by the heat exchanger during the initial burner firing is caused by a thin film of oil on the surface of the heat exchanger. This oil will burn off quickly.
8. Set the thermostat at the desired temperature setting and the unit will function automatically.

Sequence of Operation

General

Operation of the system cooling (and optional heating) cycles is controlled by the setting of the system switch on the room thermostat. Once the system switch is placed either in the "HEAT" or "COOL" position, unit operation is automatic. A fan switch on the thermostat also provides for continuous operation of the evaporator fan when desired. The fan switch "ON" position provides continuous operation while the "AUTO" position provides operation during the heating or cooling cycles.

Heating Cycle

Thermostat call for heat

(R) and (W) thermostat contacts close signaling the control module (IGN) to run its self-check routine. After the control has verified that the pressure switch (PS) contacts are open, the limit switch (TCO) contacts are closed, and the flame rollout (RO) switch is closed, the induced draft blower (CFM) will be energized.

After the induced draft blower (CFM) has come up to speed, the control will verify that the pressure switch (PS) contacts are closed and run the induced draft blower for a

20 second pre-purge. The gas valve (GV) is energized to permit gas flow and the spark ignitor (IP) is energized. The flame detector (FD) confirms that ignition has been achieved within the 7 second trial period.

As the flame detector confirms that ignition has been achieved the delay to indoor fan on period begins timing and after approximately 45 seconds, the indoor blower motor (IDM) will be energized and will continue to run during the heating cycle

Thermostat satisfied:

(R) and (W) contacts open signaling the control module to close the gas valve and de-energize the induced draft blower after approximately 5 seconds post-purge. The indoor blower motor will continue to operate at the current speed for 60 or 90 seconds (field selectable) after the flames are extinguished.

Cooling Cycle

With the room thermostat system switch in the "COOLING" position and the fan switch in the "AUTO" position, the compressor contactor (CC) and the indoor fan motor (IDM) are energized.

The energized compressor contactor (CC) completes the circuit to the compressor (CPR) and a secondary circuit to the outdoor fan motor (ODM). If the compressor safety controls are closed, the compressor (CPR) will operate with the outdoor fan motor (ODM). The indoor fan motor (IDM) will operate. The thermostat will continue to cycle the compressor and fans to maintain the desired temperature.

With the thermostat fan switch in the "ON" position, the indoor fan motor (IDM) will continue to run at constant circulation of 40 – 50% airflow of selected tap regardless of compressor and condenser fan operation.

Safety Sequences

This product is equipped with safety devices to protect against abnormal conditions.

The temperature limit switch (TCO) is located on the blower barrier, and can be accessed through the blower compartment. This automatic reset device protects against excessive leaving air temperature. If this device opens, the gas valve is immediately closed and will not permit operation until the limit switch closes.

The rollout switch (RO) is located in the gas compartment near the inlet of the burners. This is a manual reset device designed to protect against any form of flame rollout. If this device is opened the gas valve is immediately de-energized and the control (IGN) will lockout the system. The rollout switch (RO) must be reset before operation is allowed to continue.

The pressure switch (PS) is located in the upper right side of the gas compartment. This automatic device assures adequate combustion air pressure. If pressure against the induced draft blower outlet becomes excessive, the pressure switch will react and shut off the gas valve, until acceptable combustion pressure is again available.

If the control (IGN) does not sense flame within the first trial

for ignition period, the gas valve will be de-energized. The control (IGN) will initiate a 60 seconds interpurge. Following the interpurge, the control will perform a second ignition attempt. If the second try is not successful, the control will start another 60 second interpurge. After the interpurge, a third attempt will be tried. If the third try is not successful, the control will lock out.

If loss of flame occurs during a heating cycle, the control (IGN) will close the gas valve and cycle through the ignition trial as stated above.

If control lock out occurs, the control (IGN) will retry a complete ignition sequence in 1 hour.

The control (IGN) can be reset by removing power to the unit or by turning the thermostat from “on” to “off” for approximately three seconds, then back “on”.

Final Installation Checklist

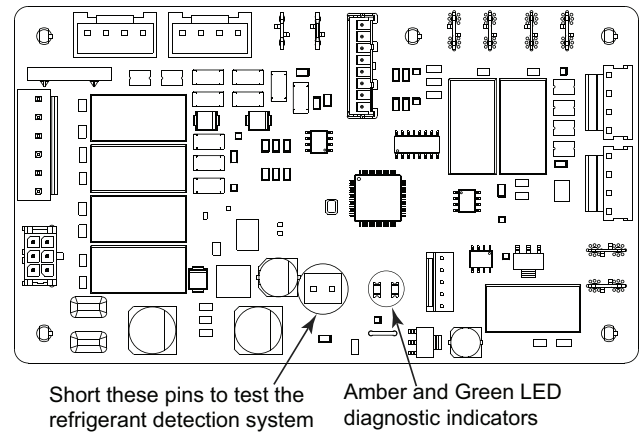
- Does the unit run and operate as described in the section on “Sequence of Operation,” p. 42 in response to the room thermostat?
- Are the condenser fan and indoor blower operating correctly with proper rotation and without undue noise?
- Is the compressor operating correctly and has the system been checked with a charging chart?
- Has the voltage and running current been checked to determine if it is within limits?
- Has the thermostat been checked for calibration and the air discharge grilles adjusted to balance the system?
- Has the ductwork been checked for air leaks and condensation?
- Has the furnace manifold pressure been checked and adjusted if necessary?
- Has the heating air temperature rise been checked?
- Has the unit been checked for tubing and sheet metal rattles? Are there any other unusual noises to be checked?
- Has all mitigation actions been verified?
- Are all covers and panels in place and properly fastened?
- Has the owner been instructed on the proper operation and maintenance of the unit? Be sure to leave this manual with the owner.

Verification of Mitigation Actions

After installation, the installer must verify that the refrigerant leak detection system actuates all mitigating actions.

The test can be initiated by shorting the two test pins on the header of the mitigation control board inside of the unit. The mitigating actions will continue for approximately 5 minutes. See Figure 26, p. 43 below.

Figure 26. Mitigation control board



If any of the mitigating actions are not actuated by the system during the test, please check the following:

- All field wiring connections should be checked against the diagrams in the Figure 25, p. 40 section of this manual.
- The diagnostic indicators on the mitigation control board should be checked against the diagnostic codes given in below.
- Scan the QR code below for more information on field troubleshooting of the refrigerant leak detection system.

Figure 27. Refrigerant leak detection system troubleshooting QR code

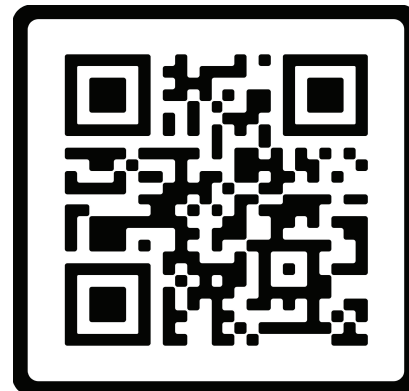


Table 18. MCB diagnostic code table for Software V07.1 and earlier

Condition	Green LED	Amber LED
Idle or Off	Off	Off
Start-up	On	On
No Active Alarm	Slow Flash	On
Active Alarm (Refrigerant Leak, Sensor Communicating Error, or Sensor Error)	3 Flash	On
Past Refrigerant Detected Alarm	4 Flash	On

Unit Start-Up

Table 18. MCB diagnostic code table for Software V07.1 and earlier (continued)

Condition	Green LED	Amber LED
Past Sensor Communication Error	5 Flash	On
Past Sensor Error	6 Flash	On

Table 19. MCB diagnostic code table for Software V9.1 and later

Condition	Green LED	Amber LED
No Power/Off	Off	Off
Start-up	On	On
Normal Operation	Slow Flash	On
Active Alarm - Sensor Communication Error	2 Flash	On
Active Alarm - Refrigerant Leak or Sensor Failure	3 Flash	On
Past Refrigerant Detected Alarm	4 Flash	On
Past Sensor Communication or Sensor Error	5, 6, or 7 Flash	On

Note: Software version is printed on label on control board.

Maintenance

Service Maintenance

Service maintenance should be performed by qualified service personnel.

Cooling Season

To keep the unit operating safely and efficiently, the manufacturer recommends that a qualified service technician check the entire system at least once each year or more often if needed. The service technician should examine these areas of the unit:

- filters (for cleaning or replacement)
- motors and drive system components
- economizer gaskets (for possible replacement)
- safety controls (for mechanical cleaning)
- electrical components and wiring (for possible replacement and connection tightness)
- condensate drain (for proper sealing and cleaning)
- unit duct connections (to see that they are physically sound and sealed to the unit casing)
- unit mounting support (for structural integrity)
- the unit (for obvious unit deterioration)

Heating Season

Complete the following unit inspections and service routines described at the beginning of each heating season.

- Visually inspect the unit to ensure that the airflow

required for combustion and condenser coil is not obstructed from the unit.

- Inspect the control panel wiring to verify that all electrical connections are tight and that the wire insulation is intact.
- Check the operation of the gas ignition system as follows: Turn off the gas supply with the unit operating to verify that the gas valve closes and that a re-ignition cycle is initiated by the unit.
- Visually inspect the inside of the burners and the burner ports for deposit buildup and corrosion. Wipe and brush the inside of the burner and the burner ports and then clean with a dry cloth. If the deposit buildup or corrosion is excessive, replace the burners.

Flue Hood and Combustion Blower Cleaning

Note: Never use combustible cleaning fluids on any part of the furnace.

Before each heating season, the flue should be inspected for signs of flaking rust and soot deposits. **Dirty flues should be cleaned by qualified service personnel ONLY** using the following procedure:

1. Turn the comfort control to **OFF**. Turn the main power disconnect **OFF**. Turn the manual gas valve **OFF**.
2. Remove the flue hood and the CONTROL/HEAT access panel.
3. Remove the combustion blower assembly from the flue box. Remove the flue box and the flue restrictors.
4. Remove all wires from the gas valve while carefully noting their locations.
5. Disconnect the gas supply line from the valve.
6. Remove the manifold retaining screws and pull the burner-manifold assembly from the heat exchanger.
7. Remove the inlet turbulators being careful not to break or damage them.
8. Wipe the flue box and flue baffles clean with a clean, dry cloth.
9. Replace all gaskets with new ones.
10. Replace all damaged or broken turbulators with new ones.
11. Reassemble the unit by reversing Steps 2 through 7 above. Take care that all gaskets seat properly.
12. Check all wires for correct installation by referring to the unit's electrical wiring diagram.
13. Leak test all gas line connections with a soap and water solution or the equivalent.
14. Re-install the CONTROL/HEAT access panels and the flue hood.
15. Visually inspect the unit to ensure that the airflow opening for combustion is not obstructed.
16. Follow "Unit Start-Up," p. 41 to place the unit back in service.

Indoor Fan Motor (IDM) Speed Tap Setting

The 208/230 units are factory set to medium speed.

208/230 Volt Motor Tap Settings ()

High speed setting: On the IGN board:

1. Connect the "RD" wire to the "PARK" terminal.
2. Connect the (IDM) PR wire to the "BLOWER LOAD" terminal.

terminal.

Low speed setting: On the IGN board:

1. Connect the "RD" wire to the "BLOWER LOAD" terminal.
2. Connect the (IDM) PR wire to the "PARK" terminal.

Figure 28. 208/230 Volt speed taps

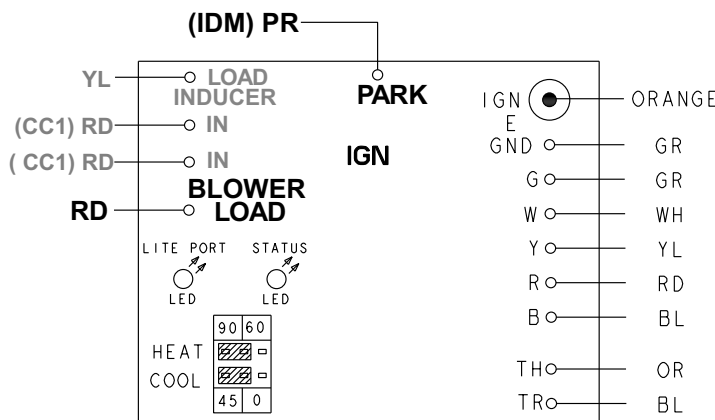
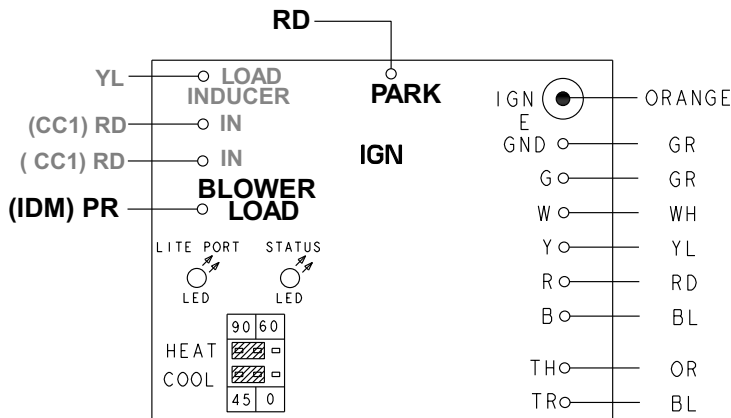


Table 20. IGN LED diagnostic indicators

Status LED		Liteport LED	
Steady OFF	Check Power or Failed Board	2 Flashes	System Lockout: Failed to detect or sustain flame
Slow Flash Rate	Normal, No Call for Heat	3 Flashes	Pressure switch problem detected
Fast Flash Rate	Not used	4 Flashes	High Limit switch protection device open
Steady ON	Normal, No Call for Heat	5 Flashes	Flame sensed and gas valve not energized or flame sensed and no "W" signal.
		6 Flashes	Flame Rollout Switch open
		7 Flashes	Thermostat miswired; W1 and W2

Fast Flash Rate: The LED will flash on for 1/4 second and off for 1/4 second.
Slow Flash Rate: The LED will flash on for 3/4 second, then off for 1/4 second.
 The pause between groups of fast flashes is 3 seconds.

Pressure Curves

Cooling performance can be checked when the outdoor temperature is above 65°F.

To check cooling performance, select the proper indoor CFM, all pressures to stabilize. Measure indoor wet bulb temperature, outdoor temperature, liquid and suction pressures.

On the plots:

1. Locate outdoor temperature
2. Locate indoor wet bulb
3. Find intersection of OD temperature and ID W.B
4. Read discharge or suction pressure in left column

Example:

1. Outdoor temperature 82°F
2. In door wet bulb 67°F
3. At intersection
4. Discharge pressure as follows:

Model	CFM	PSIG
5YCC4024	800	321
5YCC4030	900	298
5YCC4036	1200	314
5YCC4042	1500	310
5YCC4048	1650	313
5YCC4060	1700	321

5. Suction pressure as follows:

Model	CFM	PSIG
5YCC4024	800	139
5YCC4030	900	132
5YCC4036	1200	132
5YCC4042	1500	137
5YCC4048	1650	130
5YCC4060	1700	130

Actual:

Discharge pressure should be +/- 10 psi of chart.

Suction pressure should be +/- 3 psi of chart.

Figure 29. Pressure curves - model 5YCC4024

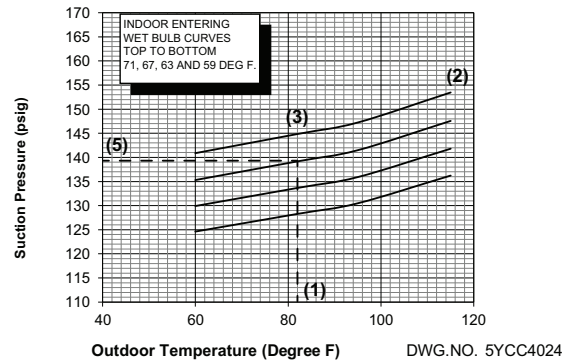
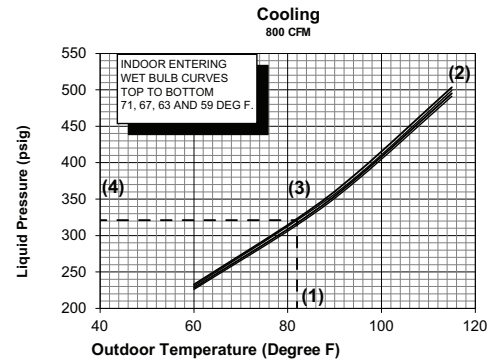


Figure 30. Pressure curves - model 5YCC4030

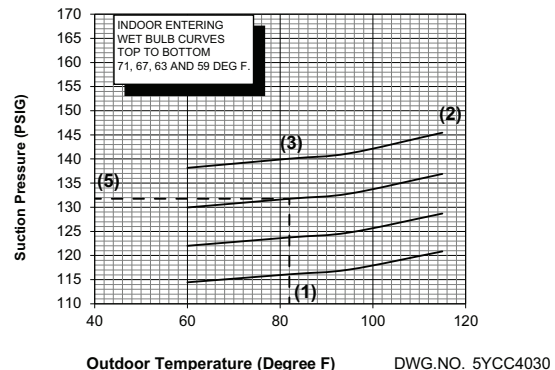
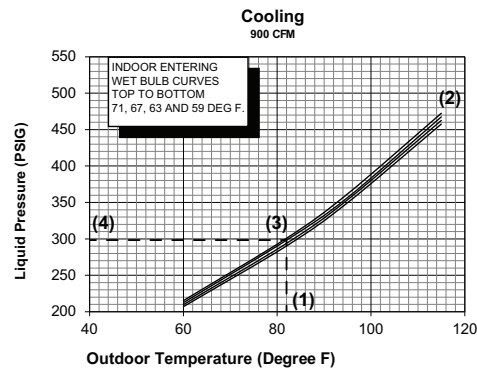


Figure 31. Pressure curves - model 5YCC4036

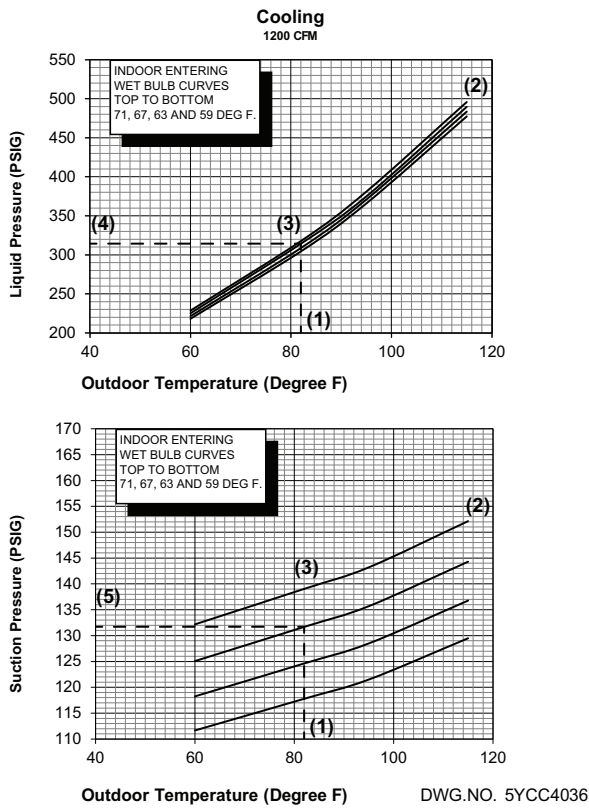


Figure 33. Pressure curves - model 5YCC4048

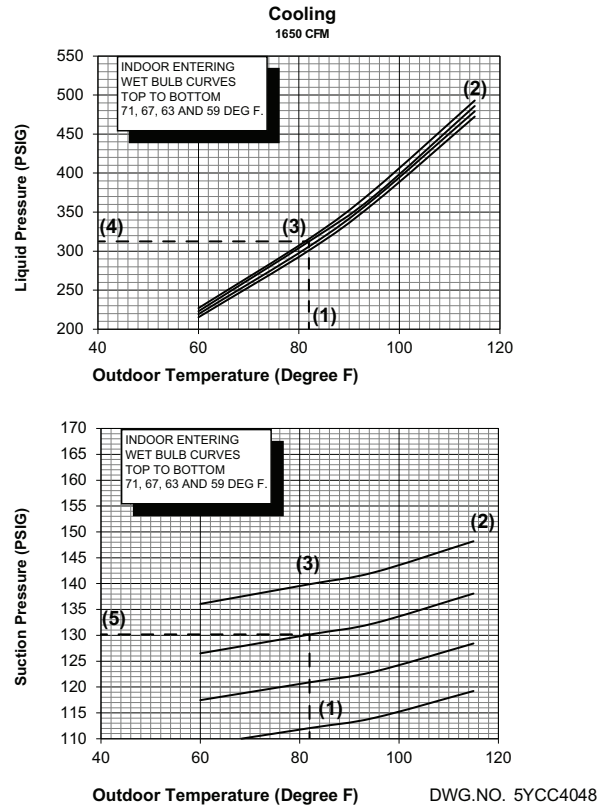


Figure 32. Pressure curves - model 5YCC4042

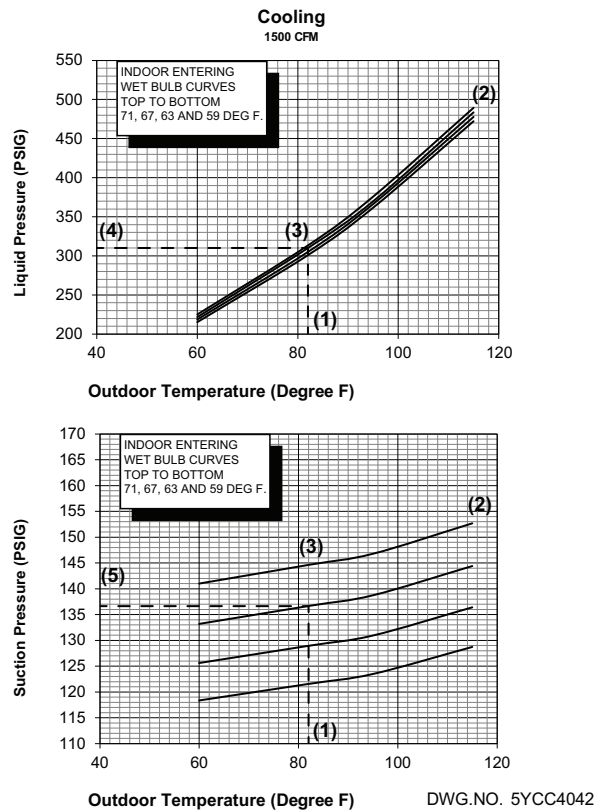
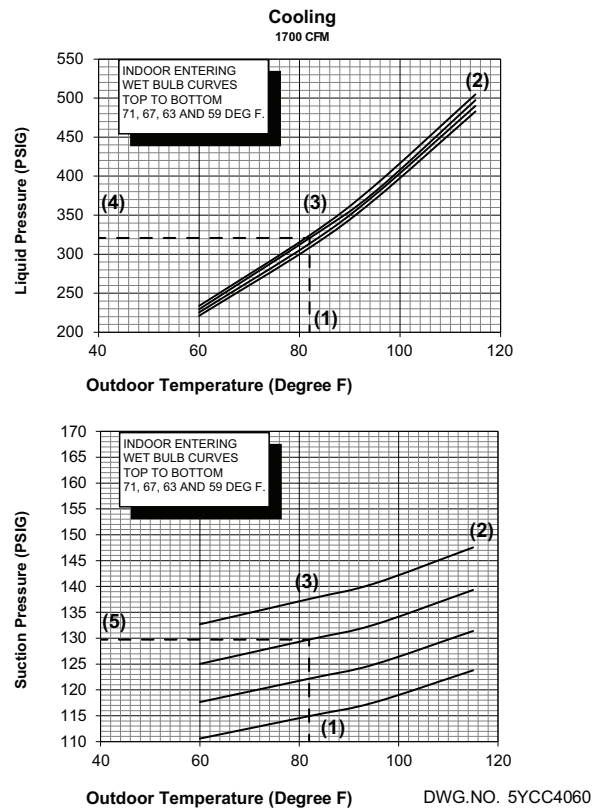


Figure 34. Pressure curves - model 5YCC4060



Indoor Fan Performance (230v)

Table 21. Airflow — model 5YCC4024A1060A

5YCC4024A1060A		External Static Pressure (in.WG) Horizontal Airflow [Down Airflow]										
Motor Speed		0.0	0.1	0.2	0.3	0.4	0.5	0.6	0.7	0.8	0.9	1
Constant Circulation	CFM	Approximately 40—50% Cooling or Heating Airflow										
	WATTS											
Cooling — Low	CFM	—	900 (891)	846 (838)	794 (786)	729 (722)	—	—	—	—	—	—
	WATTS	—	114 (115)	121 (122)	128 (129)	138 (138)	—	—	—	—	—	—
Cooling — Med	CFM	—	—	—	890 (881)	836 (828)	777 (769)	707 (700)	—	—	—	—
	WATTS	—	—	—	158 (159)	167 (167)	175 (176)	185 (186)	—	—	—	—
Cooling — High	CFM	—	—	—	—	908 (899)	863 (854)	818 (810)	773 (765)	731 (724)	—	—
	WATTS	—	—	—	—	248 (249)	256 (258)	264 (266)	274 (276)	282 (284)	—	—
Heating — Low	CFM	1123 (1123)	1059 (1059)	994 (994)	943 (943)	889 (889)	—	—	—	—	—	—
	WATTS	143 (143)	152 (152)	160 (160)	167 (167)	175 (175)	—	—	—	—	—	—
Heating — High	CFM	—	—	1122 (1122)	1069 (1069)	1022 (1022)	974 (974)	922 (922)	871 (871)	809 (809)	—	—
	WATTS	—	—	213 (213)	221 (221)	229 (229)	238 (238)	245 (245)	253 (253)	261 (261)	—	—

Note: Cooling airflow must not exceed 900 CFM due to condensate blowoff.

Table 22. Airflow — model 5YCC4030A1070A

5YCC4030A1070A		External Static Pressure (in.WG) Horizontal Airflow [Down Airflow]										
Motor Speed		0.0	0.1	0.2	0.3	0.4	0.5	0.6	0.7	0.8	0.9	1
Constant Circulation	CFM	Approximately 40—50% Cooling or Heating Airflow										
	WATTS											
Cooling — Low	CFM	1051 (1041)	994 (984)	939 (930)	889 (880)	840 (831)	—	—	—	—	—	—
	WATTS	126 (126)	134 (135)	142 (143)	150 (150)	158 (158)	—	—	—	—	—	—
Cooling — Med	CFM	—	—	1108 (1097)	1070 (1059)	1027 (1017)	975 (965)	920 (911)	875 (866)	—	—	—
	WATTS	—	—	239 (240)	247 (248)	256 (258)	267 (269)	274 (276)	282 (284)	—	—	—
Cooling — High	CFM	—	—	—	—	1099 (1088)	1059 (1048)	1017 (1007)	968 (959)	—	—	—
	WATTS	—	—	—	—	259 (260)	268 (270)	278 (279)	289 (290)	—	—	—
Heating — Low	CFM	1148 (1136)	1103 (1091)	1061 (1050)	1022 (1012)	982 (972)	932 (922)	—	—	—	—	—
	WATTS	199 (197)	208 (205)	216 (214)	224 (222)	233 (230)	243 (241)	—	—	—	—	—
Heating — High	CFM	—	—	—	1158 (1147)	1122 (1111)	1084 (1073)	1039 (1028)	988 (978)	—	—	—
	WATTS	—	—	—	301 (298)	310 (307)	320 (317)	331 (328)	343 (339)	—	—	—

Note: Cooling airflow must not exceed 1125 CFM due to condensate blowoff.

Table 23. Airflow — model 5YCC4036A*(070)

5YCC4036A*(070)		External Static Pressure (in.WG) Horizontal Airflow [Down Airflow]										
Motor Speed		0.0	0.1	0.2	0.3	0.4	0.5	0.6	0.7	0.8	0.9	1
Constant Circulation	CFM	Approximately 40—50% Cooling or Heating Airflow										
	WATTS											
Cooling — Low	CFM	—	1272 (1259)	1243 (1231)	1214 (1202)	1186 (1174)	1154 (1142)	1116 (1105)	1072 (1061)	—	—	—
	WATTS	—	352 (354)	361 (363)	372 (374)	382 (384)	392 (394)	404 (406)	416 (418)	—	—	—
Cooling — Med	CFM	—	—	—	—	1349 (1336)	1319 (1306)	1277 (1264)	1242 (1230)	1199 (1187)	1160 (1148)	1124 (1113)
	WATTS	—	—	—	—	489 (492)	500 (503)	511 (514)	523 (526)	537 (540)	548 (551)	558 (561)
Cooling — High	CFM	—	—	—	—	—	1326 (1299)	1296 (1270)	1263 (1238)	1225 (1201)	1183 (1159)	1150 (1127)
	WATTS	—	—	—	—	—	516 (519)	527 (530)	539 (542)	552 (555)	566 (569)	575 (578)
Heating — Low	CFM	1185 (1173)	1141 (1130)	1099 (1088)	1055 (1044)	1009 (999)	968 (958)	920 (911)	854 (846)	808 (800)	731 (724)	624 (618)
	WATTS	241 (238)	251 (248)	260 (258)	270 (267)	279 (277)	289 (286)	299 (296)	311 (308)	320 (316)	306 (303)	284 (282)
Heating — High	CFM	1386 (1373)	1354 (1340)	1311 (1298)	1276 (1263)	1238 (1225)	1198 (1186)	1164 (1153)	1069 (1058)	805 (797)	689 (682)	596 (590)
	WATTS	386 (382)	399 (395)	409 (405)	419 (415)	430 (425)	441 (437)	452 (448)	432 (428)	320 (317)	303 (300)	298 (295)

Note: Cooling airflow must not exceed 1350 CFM due to condensate blowoff.

Table 24. Airflow — model 5YCC4036A*(090)

5YCC4036A*(090)		External Static Pressure (in.WG) Horizontal Airflow [Down Airflow]										
Motor Speed		0.0	0.1	0.2	0.3	0.4	0.5	0.6	0.7	0.8	0.9	1
Constant Circulation	CFM	Approximately 40—50% Cooling or Heating Airflow										
	WATTS											
Cooling — Low	CFM	1288 (—)	1254 (1238)	1225 (1207)	1193 (1176)	1158 (1143)	1117 (1091)	1070 (—)	—	—	—	—
	WATTS	340 (—)	348 (348)	357 (357)	366 (366)	375 (375)	385 (385)	395 (—)	—	—	—	—
Cooling — Med	CFM	—	1326 (1320)	1300 (1294)	1271 (1263)	1241 (1234)	1201 (1196)	1107 (1102)	—	—	—	—
	WATTS	—	410 (410)	419 (419)	427 (427)	437 (437)	447 (447)	423 (423)	—	—	—	—
Cooling — High	CFM	—	—	—	—	1349 (1336)	1319 (1306)	1277 (1264)	1242 (1230)	1199 (1187)	1160 (1148)	1124 (1113)
	WATTS	—	—	—	—	489 (492)	500 (503)	511 (514)	523 (526)	537 (540)	548 (551)	558 (561)
Heating — Low	CFM	1292 (1285)	1259 (1252)	1230 (1222)	1199 (1186)	1163 (1148)	1124 (1111)	1071 (1060)	963 (954)	799 (781)	638 (—)	—
	WATTS	343 (343)	351 (351)	360 (360)	369 (369)	378 (378)	388 (388)	398 (398)	370 (370)	316 (316)	293 (—)	—
Heating — High	CFM	1367 (1355)	1341 (1326)	1310 (1295)	1282 (1267)	1250 (1235)	1212 (1183)	1075 (1056)	928 (913)	781 (—)	631 (—)	—
	WATTS	404 (404)	413 (413)	421 (421)	431 (431)	439 (439)	448 (448)	404 (404)	346 (346)	302 (—)	282 (—)	—

Note: Cooling airflow must not exceed 1350 CFM due to condensate blowoff.

Indoor Fan Performance (230v)

Table 25. Airflow — model 5YCC4042A1060A

5YCC4042A1060A		External Static Pressure (in.WG) Horizontal Airflow [Down Airflow]										
Motor Speed		0.0	0.1	0.2	0.3	0.4	0.5	0.6	0.7	0.8	0.9	1
Constant Circulation	CFM	Approximately 40—50% Cooling or Heating Airflow										
	WATTS	Approximately 40—50% Cooling or Heating Airflow										
Cooling — Low	CFM	1358 (1345)	1393 (1379)	1348 (1334)	1296 (1283)	1253 (1241)	—	—	—	—	—	—
	WATTS	224 (228)	233 (238)	242 (247)	252 (257)	262 (267)	—	—	—	—	—	—
Cooling — Med	CFM	1521 (1506)	1490 (1475)	1448 (1433)	1391 (1377)	1362 (1348)	1338 (1325)	1315 (1302)	1307 (1293)	1254 (1241)	—	—
	WATTS	306 (312)	316 (322)	327 (333)	337 (344)	348 (354)	359 (366)	369 (377)	382 (389)	395 (403)	—	—
Cooling — High	CFM	—	—	—	—	1529 (1514)	1491 (1476)	1467 (1453)	1425 (1411)	1385 (1371)	1345 (1331)	—
	WATTS	—	—	—	—	455 (464)	467 (477)	477 (487)	490 (499)	503 (513)	513 (523)	—
Heating — Low	CFM	1104 (1109)	1042 (1047)	977 (982)	911 (916)	841 (845)	764 (767)	687 (690)	598 (601)	—	—	—
	WATTS	109 (109)	116 (117)	124 (125)	134 (134)	142 (143)	152 (153)	161 (162)	171 (172)	—	—	—
Heating — High	CFM	—	1171 (1177)	1112 (1117)	1050 (1055)	990 (995)	927 (931)	821 (856)	779 (783)	704 (707)	—	—
	WATTS	—	154 (155)	162 (163)	172 (173)	182 (182)	192 (193)	203 (204)	214 (215)	225 (226)	—	—

Note: Cooling airflow must not exceed 1575 CFM due to condensate blowoff.

Table 26. Airflow — model 5YCC4042A1090A

5YCC4042A1090A		External Static Pressure (in.WG) Horizontal Airflow [Down Airflow]										
Motor Speed		0.0	0.1	0.2	0.3	0.4	0.5	0.6	0.7	0.8	0.9	1
Constant Circulation	CFM	Approximately 40—50% Cooling or Heating Airflow										
	WATTS	Approximately 40—50% Cooling or Heating Airflow										
Cooling — Low	CFM	1358 (1345)	1393 (1379)	1348 (1334)	1296 (1283)	1253 (1241)	—	—	—	—	—	—
	WATTS	224 (228)	233 (238)	242 (247)	252 (257)	262 (267)	—	—	—	—	—	—
Cooling — Med	CFM	1521 (1506)	1490 (1475)	1448 (1433)	1391 (1377)	1362 (1348)	1338 (1325)	1315 (1302)	1307 (1293)	1254 (1241)	—	—
	WATTS	306 (312)	316 (322)	327 (333)	337 (344)	348 (354)	359 (366)	369 (377)	382 (389)	395 (403)	—	—
Cooling — High	CFM	—	—	—	—	1529 (1514)	1491 (1476)	1467 (1453)	1425 (1411)	1385 (1371)	1345 (1331)	—
	WATTS	—	—	—	—	455 (464)	467 (477)	477 (487)	490 (499)	503 (513)	513 (523)	—
Heating — Low	CFM	1419 (1426)	1380 (1387)	1341 (1348)	1295 (1301)	1249 (1255)	1204 (1210)	1160 (1166)	1115 (1120)	1069 (1074)	1015 (1020)	961 (966)
	WATTS	240 (241)	250 (251)	259 (260)	269 (270)	279 (281)	291 (292)	302 (303)	312 (314)	323 (325)	333 (335)	348 (349)
Heating — High	CFM	1559 (1567)	1524 (1531)	1483 (1491)	1443 (1450)	1401 (1408)	1363 (1370)	1319 (1326)	1276 (1282)	1233 (1239)	1195 (1201)	1147 (1152)
	WATTS	313 (315)	324 (325)	335 (337)	346 (347)	356 (358)	367 (368)	379 (381)	392 (394)	403 (405)	415 (417)	428 (430)

Note: Cooling airflow must not exceed 1575 CFM due to condensate blowoff.

Table 27. Airflow — model 5YCC4048A*(070)

5YCC4048A*(070)		External Static Pressure (in.WG) Horizontal Airflow [Down Airflow]											
Motor Speed		0.0	0.1	0.2	0.3	0.4	0.5	0.6	0.7	0.8	0.9	1	
Constant Circulation	CFM	Approximately 40—50% Cooling or Heating Airflow											
	WATTS												
Cooling — Low	CFM	1583 (1567)	1542 (1526)	1502 (1487)	1460 (1445)	1415 (1401)	—	—	—	—	—	—	—
	WATTS	302 (308)	313 (320)	324 (330)	332 (339)	346 (352)	—	—	—	—	—	—	—
Cooling — Med	CFM	1763 (1745)	1723 (1706)	1689 (1672)	1648 (1632)	1609 (1593)	1568 (1552)	1527 (1512)	1488 (1473)	1447 (1433)	—	—	—
	WATTS	414 (422)	426 (434)	436 (444)	448 (457)	459 (468)	471 (480)	483 (493)	495 (505)	510 (520)	—	—	—
Cooling — Med High	CFM	—	1786 (1768)	1757 (1739)	1729 (1712)	1700 (1683)	1675 (1658)	1648 (1632)	1624 (1608)	1504 (1489)	—	—	—
	WATTS	—	577 (589)	591 (603)	604 (616)	617 (629)	631 (644)	643 (656)	655 (668)	599 (611)	—	—	—
Cooling — High	CFM	—	—	—	—	—	1769 (1751)	1728 (1711)	1688 (1671)	1652 (1635)	1545 (1530)	—	—
	WATTS	—	—	—	—	—	613 (625)	631 (644)	643 (656)	647 (660)	611 (623)	—	—
Heating — Low	CFM	1120 (1126)	1047 (1052)	980 (985)	914 (918)	840 (845)	758 (762)	674 (677)	581 (584)	—	—	—	—
	WATTS	117 (117)	126 (127)	135 (136)	145 (146)	156 (156)	168 (168)	179 (180)	188 (189)	—	—	—	—
Heating — High	CFM	—	1204 (1210)	1149 (1154)	1095 (1100)	1043 (1048)	989 (994)	926 (930)	858 (862)	798 (802)	—	—	—
	WATTS	—	176 (177)	185 (186)	195 (196)	205 (206)	216 (217)	227 (228)	239 (240)	249 (250)	—	—	—

Note: Cooling airflow must not exceed 1800 CFM due to condensate blowoff.

Table 28. Airflow — model 5YCC4048A*(090)

5YCC4048A*(090)		External Static Pressure (in.WG) Horizontal Airflow [Down Airflow]											
Motor Speed		0.0	0.1	0.2	0.3	0.4	0.5	0.6	0.7	0.8	0.9	1	
Constant Circulation	CFM	Approximately 40—50% Cooling or Heating Airflow											
	WATTS												
Cooling — Low	CFM	1583 (1567)	1542 (1526)	1502 (1487)	1460 (1445)	1415 (1401)	—	—	—	—	—	—	—
	WATTS	302 (308)	313 (320)	324 (330)	332 (339)	346 (352)	—	—	—	—	—	—	—
Cooling — Med	CFM	1763 (1745)	1723 (1706)	1689 (1672)	1648 (1632)	1609 (1593)	1568 (1552)	1527 (1512)	1488 (1473)	1447 (1433)	—	—	—
	WATTS	414 (422)	426 (434)	436 (444)	448 (457)	459 (468)	471 (480)	483 (493)	495 (505)	510 (520)	—	—	—
Cooling — Med High	CFM	—	1786 (1768)	1757 (1739)	1729 (1712)	1700 (1683)	1675 (1658)	1648 (1632)	1624 (1608)	1504 (1489)	—	—	—
	WATTS	—	577 (589)	591 (603)	604 (616)	617 (629)	631 (644)	643 (656)	655 (668)	599 (611)	—	—	—
Cooling — High	CFM	—	—	—	—	—	1769 (1751)	1728 (1711)	1688 (1671)	1652 (1635)	1545 (1530)	—	—
	WATTS	—	—	—	—	—	613 (625)	631 (644)	643 (656)	647 (660)	611 (623)	—	—
Heating — Low	CFM	1419 (1426)	1380 (1387)	1341 (1348)	1295 (1301)	1249 (1255)	1204 (1210)	1160 (1166)	1115 (1120)	1069 (1074)	1015 (1020)	961 (966)	—
	WATTS	240 (241)	250 (251)	259 (260)	269 (270)	279 (281)	291 (292)	302 (303)	312 (314)	323 (325)	333 (335)	348 (349)	—
Heating — High	CFM	1559 (1567)	1524 (1531)	1483 (1491)	1443 (1450)	1401 (1408)	1363 (1370)	1319 (1326)	1276 (1282)	1233 (1239)	1195 (1201)	1147 (1152)	—
	WATTS	313 (315)	324 (325)	335 (337)	346 (347)	356 (358)	367 (368)	379 (381)	392 (394)	403 (405)	415 (417)	428 (430)	—

Note: Cooling airflow must not exceed 1800 CFM due to condensate blowoff.

Indoor Fan Performance (230v)

Table 29. Airflow — model 5YCC4060A*(090)A

5YCC4060A*(090)A		External Static Pressure (in.WG) Horizontal Airflow [Down Airflow]										
Motor Speed		0.0	0.1	0.2	0.3	0.4	0.5	0.6	0.7	0.8	0.9	1
Constant Circulation	CFM	Approximately 40—50% Cooling or Heating Airflow										
	WATTS											
Cooling — Low	CFM	1857 (1831)	1831 (1802)	1800 (1765)	1766 (1728)	—	—	—	—	—	—	—
	WATTS	515 (524)	523 (533)	533 (545)	544 (558)	—	—	—	—	—	—	—
Cooling — Med	CFM	2031 (2003)	2003 (1975)	1974 (1946)	1940 (1913)	1907 (1880)	1874 (1848)	1837 (1811)	1805 (1780)	1771 (1746)	—	—
	WATTS	594 (611)	609 (627)	624 (642)	639 (658)	653 (672)	667 (686)	681 (701)	695 (715)	709 (730)	—	—
Cooling — High	CFM	2083 (2054)	2058 (2030)	2032 (2010)	2003 (1976)	1974 (1946)	1943 (1911)	1911 (1879)	1877 (1848)	1843 (1817)	1807 (1781)	—
	WATTS	749 (770)	759 (781)	769 (790)	779 (804)	788 (819)	803 (832)	816 (845)	830 (858)	845 (872)	860 (887)	—
Heating — Low	CFM	1534 (1541)	1489 (1497)	1445 (1452)	1403 (1410)	1361 (1367)	1314 (1321)	1275 (1281)	1234 (1240)	—	—	—
	WATTS	281 (282)	292 (293)	304 (305)	314 (316)	325 (327)	337 (339)	348 (349)	358 (360)	—	—	—
Heating — High	CFM	—	1594 (1602)	1551 (1558)	1511 (1518)	1471 (1478)	1430 (1437)	1386 (1392)	1344 (1351)	1305 (1311)	1265 (1271)	—
	WATTS	—	348 (350)	361 (363)	373 (374)	384 (386)	396 (398)	409 (411)	420 (423)	432 (434)	443 (445)	—

Note: Cooling airflow must not exceed 2250 CFM due to condensate blowoff.

Table 30. Airflow — model 5YCC4060B*(090)B

5YCC4060A*(090)B		External Static Pressure (in.WG) Horizontal Airflow [Down Airflow]										
Motor Speed		0	0.1	0.2	0.3	0.4	0.5	0.6	0.7	0.8	0.9	1
Constant Circulation	CFM	APPROXIMATELY 40-50% COOLING OR HEATING AIRFLOW										
	WATTS											
Cooling - Low	CFM	1872 (1844)	1830 (1808)	1787 (1764)	1747 (1722)	—	—	—	—	—	—	—
	WATTS	512 (532)	526 (547)	540 (557)	551 (571)	—	—	—	—	—	—	—
Cooling - Med	CFM	1998 (1966)	1958 (1929)	1919 (1890)	1882 (1853)	1844 (1814)	1805 (1775)	1764 (1736)	1722 (1697)	1684 (1658)	—	—
	WATTS	610 (637)	625 (649)	641 (663)	654 (676)	670 (688)	684 (704)	699 (718)	714 (731)	728 (746)	—	—
Cooling - High	CFM	2165 (2120)	2124 (2083)	2085 (2046)	2047 (2008)	2008 (1972)	1970 (1933)	1932 (1897)	1894 (1856)	1855 (1818)	1817 (1780)	—
	WATTS	756 (778)	767 (789)	781 (802)	794 (814)	806 (830)	821 (842)	838 (857)	853 (869)	868 (885)	881 (898)	—
Heating - Low	CFM	1509 (1481)	1464 (1435)	1417 (1393)	1375 (1350)	1330 (1306)	1286 (1262)	1246 (1227)	1208 (1186)	—	—	—
	WATTS	265 (276)	277 (287)	287 (297)	298 (307)	309 (316)	319 (327)	330 (337)	343 (348)	—	—	—

Table 30. Airflow — model 5YCC4060B*(090)B (continued)

5YCC4060A*(090)B		External Static Pressure (in.WG) Horizontal Airflow [Down Airflow]										
Heating - High	CFM	—	1685 (1649)	1647 (1609)	1608 (1574)	1570 (1536)	1530 (1497)	1491 (1458)	1452 (1421)	1411 (1384)	1372 (1346)	—
	WATTS	—	400 (414)	413 (426)	426 (437)	438 (449)	450 (461)	462 (471)	474 (485)	487 (496)	500 (508)	—

Note: Cooling airflow must not exceed 2250 CFM due to condensate blowoff.

Table 31. Airflow — model 5YCC4060A*(115)

5YCC4060A*(115)		External Static Pressure (in.WG) Horizontal Airflow [Down Airflow]										
Motor Speed		0.0	0.1	0.2	0.3	0.4	0.5	0.6	0.7	0.8	0.9	1
Constant Circulation	CFM	Approximately 40—50% Cooling or Heating Airflow										
	WATTS											
Cooling — Low	CFM	1857 (1831)	1831 (1802)	1800 (1765)	1766 (1728)	—	—	—	—	—	—	—
	WATTS	515 (524)	523 (533)	533 (545)	544 (558)	—	—	—	—	—	—	—
Cooling — Med	CFM	2031 (2003)	2003 (1975)	1974 (1946)	1940 (1913)	1907 (1880)	1874 (1848)	1837 (1811)	1805 (1780)	1771 (1746)	—	—
	WATTS	594 (611)	609 (627)	624 (642)	639 (658)	653 (672)	667 (686)	681 (701)	695 (715)	709 (730)	—	—
Cooling — High	CFM	2083 (2054)	2058 (2030)	2032 (2010)	2003 (1976)	1974 (1946)	1943 (1911)	1911 (1879)	1877 (1848)	1843 (1817)	1807 (1781)	—
	WATTS	749 (770)	759 (781)	769 (790)	779 (804)	788 (819)	803 (832)	816 (845)	830 (858)	845 (872)	860 (887)	—
Heating — Low	CFM	1827 (1815)	1792 (1790)	1757 (1757)	1721 (1712)	1685 (1679)	1646 (1648)	1605 (1613)	1570 (1574)	—	—	—
	WATTS	492 (510)	505 (520)	517 (532)	529 (549)	541 (560)	553 (570)	566 (582)	577 (596)	—	—	—
Heating — High	CFM	—	1927 (1910)	1894 (1875)	1861 (1839)	1824 (1803)	1788 (1773)	1750 (1736)	1711 (1704)	1674 (1661)	1639 (1622)	—
	WATTS	—	614 (630)	627 (634)	639 (647)	651 (660)	664 (672)	677 (685)	689 (698)	702 (712)	715 (726)	—

Note: Cooling airflow must not exceed 2250 CFM due to condensate blowoff.

To set indoor motor for the desired speed options, connect the motor leads in the taps as shown below:

Table 32. Motor wiring: 5YCC4024, 5YCC4030, 5YCC4036, 5YCC4042, and 5YCC4060

Motor Wiring	Motor Tap				
Mode/Speed	1	2	3	4	5
Constant Circulation	G (GR)	—	—	—	—
Cooling—Low and Heating—Low	G (GR)	Y (YL)	—	W (PR)	—
Cooling—Low and Heating—High	G (GR)	Y (YL)	—	—	W (PR)
Cooling—Med and Heating—Low	G (GR)	—	Y (YL)	W (PR)	—
Cooling—Med and Heating—High	G (GR)	—	Y (YL)	—	W (PR)
Cooling—High and Heating—Low	G (GR)	—	—	W (PR)	Y (YL)
Cooling—High and Heating—High	G (GR)	—	—	Y (YL)	W (PR)

Note: G signal (GR — green wire), Y signal (YL — yellow wire), W signal (PR — purple wire)

Indoor Fan Performance (230v)

Table 33. Motor wiring: 5YCC4048

Motor Wiring	Motor Tap				
	1	2	3	4	5
Mode/Speed					
Constant Circulation	G (GR)	—	—	—	—
Cooling—Low and Heating—Low	G (GR)	Y (YL)	—	W (PR)	—
Cooling—Low and Heating—High	G (GR)	Y (YL)	—	—	W (PR)
Cooling—Med Low and Heating—Low	G (GR)	—	Y (YL)	W (PR)	—
Cooling—Med Low and Heating—High	G (GR)	—	Y (YL)	—	W (PR)
Cooling—Med High and Heating—Low	G (GR)	W (PR)	—	Y (YL)	—
Cooling—Med High and Heating—High	G (GR)	—	W (PR)	Y (YL)	—
Cooling—High and Heating—Low	G (GR)	W (PR)	—	—	Y (YL)
Cooling—High and Heating—High	G (GR)	—	W (PR)	—	Y (YL)

Note: G signal (GR — green wire), Y signal (YL — yellow wire), W signal (PR — purple wire)

Wiring Diagram

Figure 36. Models — 5YCC4024A1, 5YCC4030A1, 5YCC4036A1, and 5YCC4042A1

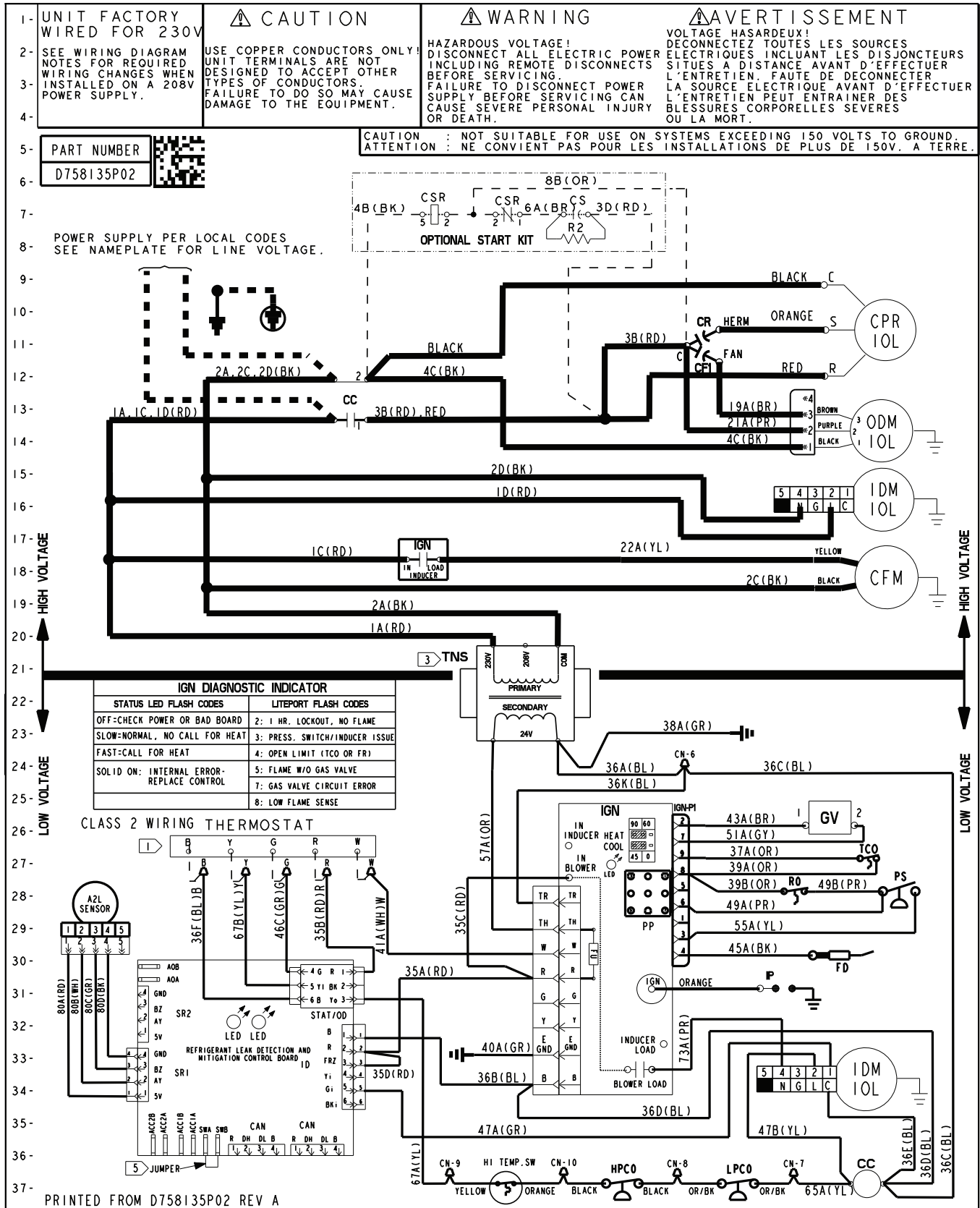
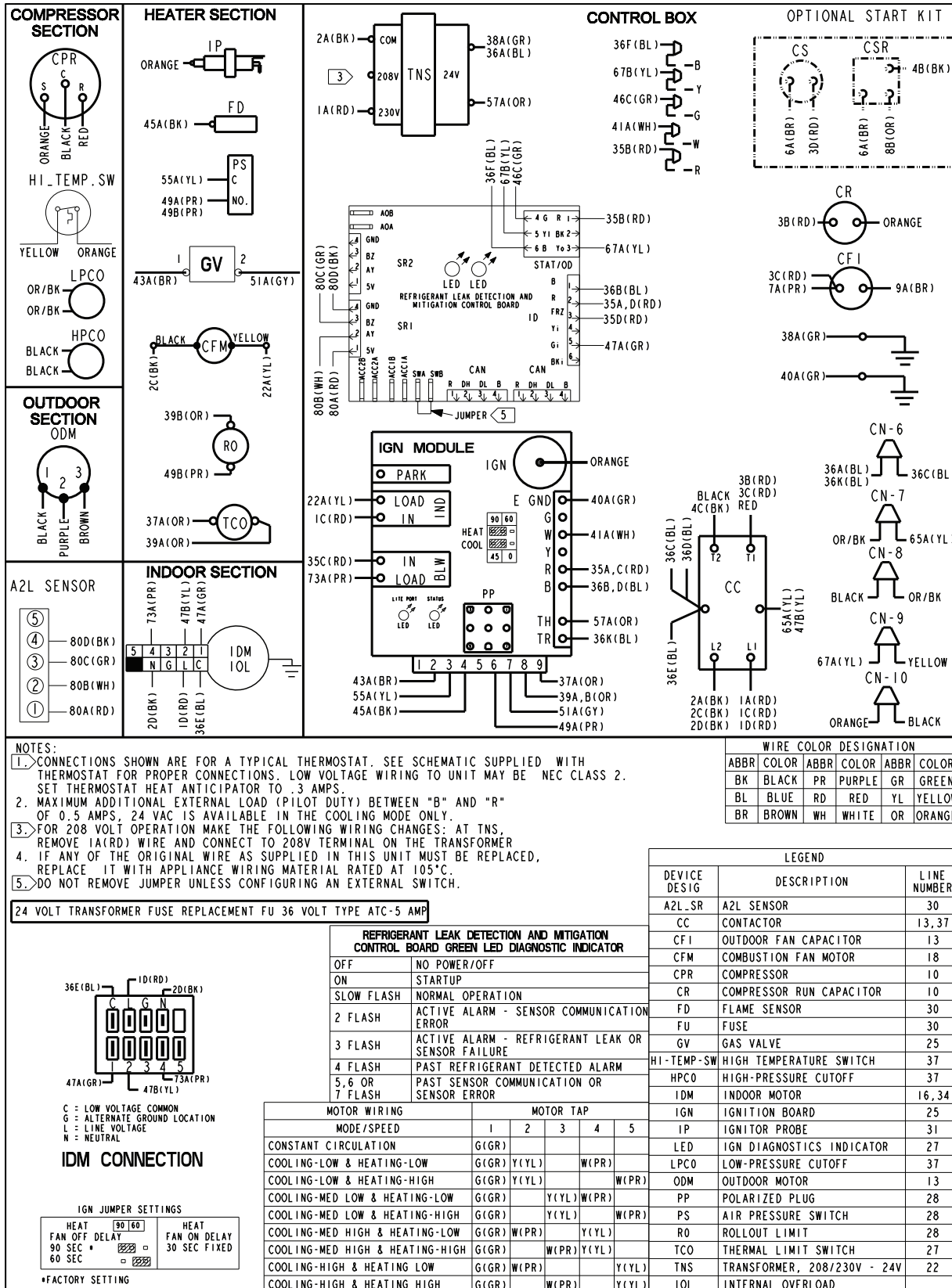


Figure 37. Model — 5YCC4048A1



Wiring Diagram

Figure 38. Model — 5YCC4048A1

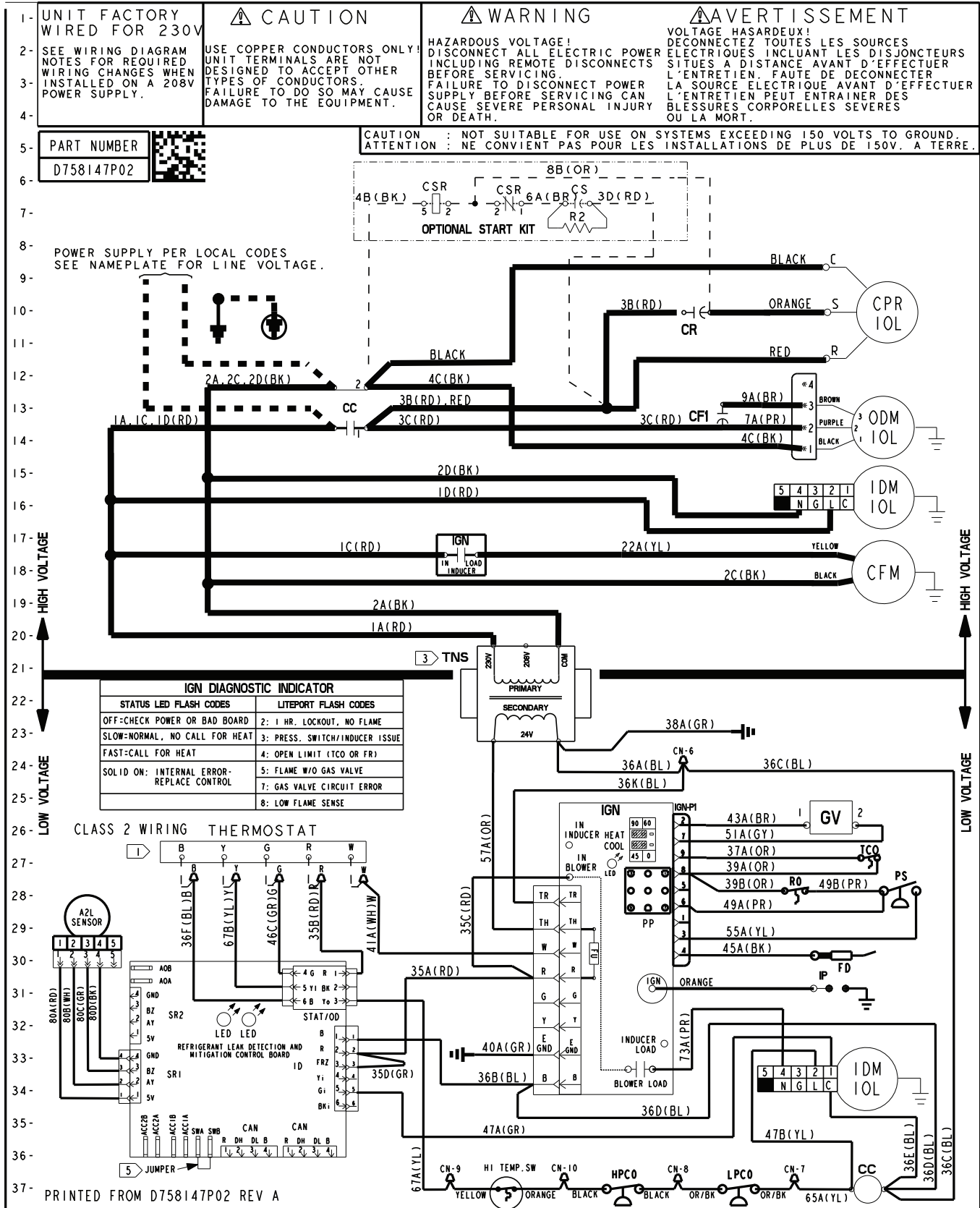
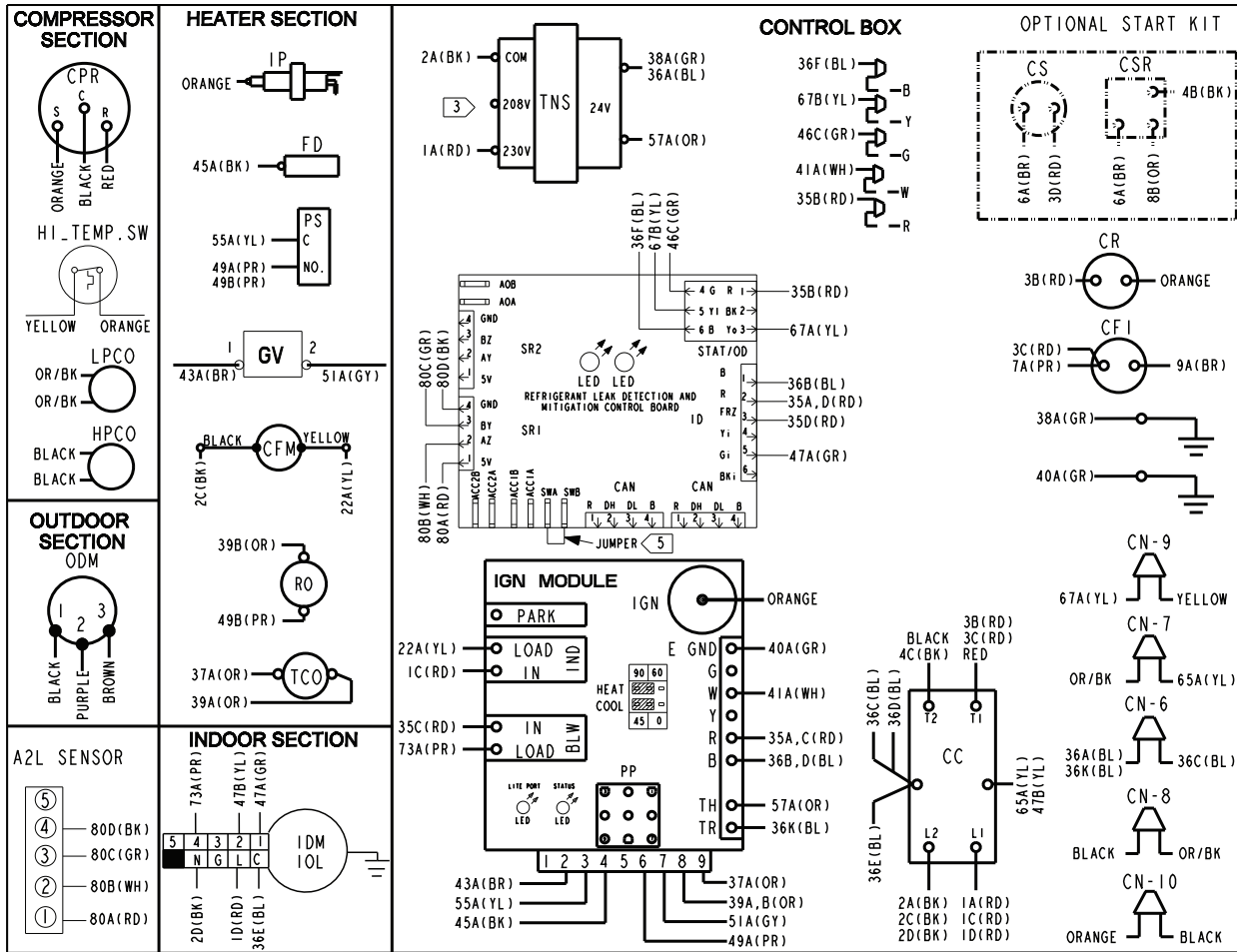


Figure 39. Model — 5YCC4060A1

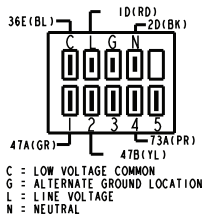


- NOTES:**
1. CONNECTIONS SHOWN ARE FOR A TYPICAL THERMOSTAT. SEE SCHEMATIC SUPPLIED WITH THERMOSTAT FOR PROPER CONNECTIONS. LOW VOLTAGE WIRING TO UNIT MAY BE NEC CLASS 2. SET THERMOSTAT HEAT ANTICIPATOR TO .3 AMPS.
 2. MAXIMUM ADDITIONAL EXTERNAL LOAD (PILOT DUTY) BETWEEN "B" AND "R" OF 0.5 AMPS, 24 VAC IS AVAILABLE IN THE COOLING MODE ONLY.
 3. FOR 208 VOLT OPERATION MAKE THE FOLLOWING WIRING CHANGES: AT TNS, REMOVE 1A(RD) WIRE AND CONNECT IT TO 208V TERMINAL ON THE TRANSFORMER.
 4. IF ANY OF THE ORIGINAL WIRE AS SUPPLIED IN THIS UNIT MUST BE REPLACED, REPLACE IT WITH APPLIANCE WIRING MATERIAL RATED AT 105°C.
 5. DO NOT REMOVE JUMPER UNLESS CONFIGURING AN EXTERNAL SWITCH.

WIRE COLOR DESIGNATION					
ABBR	COLOR	ABBR	COLOR	ABBR	COLOR
BK	BLACK	PR	PURPLE	GR	GREEN
BL	BLUE	RD	RED	YL	YELLOW
BR	BROWN	WH	WHITE	OR	ORANGE

24 VOLT TRANSFORMER FUSE REPLACEMENT FU 36 VOLT TYPE ATC-5 AMP

IDM CONNECTION



IGN JUMPER SETTINGS

HEAT	90	60	HEAT
FAN OFF DELAY	90 SEC	60 SEC	FAN ON DELAY
	90 SEC	60 SEC	30 SEC FIXED

*FACTORY SETTING

REFRIGERANT LEAK DETECTION AND MITIGATION CONTROL BOARD GREEN LED DIAGNOSTIC INDICATOR

OFF	NO POWER/OFF
ON	STARTUP
SLOW FLASH	NORMAL OPERATION
2 FLASH	ACTIVE ALARM - SENSOR COMMUNICATION ERROR
3 FLASH	ACTIVE ALARM - REFRIGERANT LEAK OR SENSOR FAILURE
4 FLASH	PAST REFRIGERANT DETECTED ALARM
5,6 OR 7 FLASH	PAST SENSOR COMMUNICATION OR SENSOR ERROR

MOTOR WIRING	MOTOR TAP					
	MODE/SPEED	1	2	3	4	5
CONSTANT CIRCULATION	G(GR)					
COOLING-LOW & HEATING-LOW	G(GR)	Y(YL)		W(PR)		
COOLING-LOW & HEATING-HIGH	G(GR)	Y(YL)		W(PR)		
COOLING-MED & HEATING-LOW	G(GR)		Y(YL)	W(PR)		
COOLING-MED & HEATING-HIGH	G(GR)		Y(YL)	W(PR)		
COOLING-HIGH & HEATING-LOW	G(GR)			W(PR)	Y(YL)	
COOLING-HIGH & HEATING-HIGH	G(GR)			Y(YL)	W(PR)	

LEGEND		
DEVICE DESIG	DESCRIPTION	LINE NUMBER
A2L.SR	A2L SENSOR	30
CC	CONTACTOR	12, 37
CFI	OUTDOOR FAN CAPACITOR	13
CFM	COMBUSTION FAN MOTOR	17
CPR	COMPRESSOR	10
CR	COMPRESSOR RUN CAPACITOR	10
FD	FLAME SENSOR	30
FU	FUSE	30
GV	GAS VALVE	25
HI-TEMP-SW	HIGH TEMPERATURE SWITCH	37
HPCO	HIGH-PRESSURE CUTOFF	37
IDM	INDOOR MOTOR	16, 34
IGN	IGNITION BOARD	25
IP	IGNITOR PROBE	31
LED	IGN DIAGNOSTICS INDICATOR	27
LPCO	LOW-PRESSURE CUTOFF	37
ODM	OUTDOOR MOTOR	13
PP	POLARIZED PLUG	28
PS	AIR PRESSURE SWITCH	28
RO	ROLLOUT LIMIT	28
TCO	THERMAL LIMIT SWITCH	27
TNS	TRANSFORMER, 208/230V - 24V	22
IOL	INTERNAL OVERLOAD	

Wiring Diagram

Figure 40. Model — 5YCC4060A1

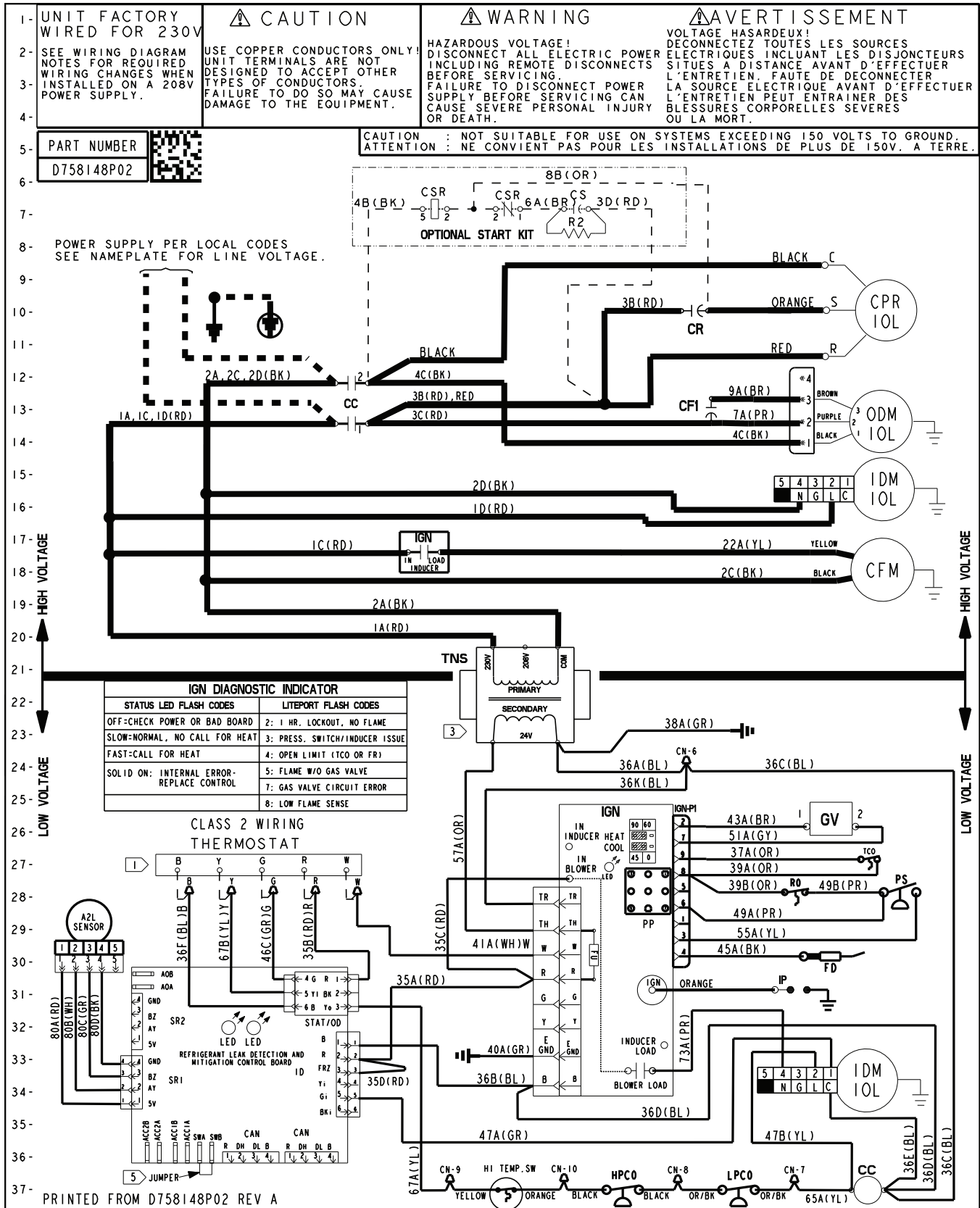
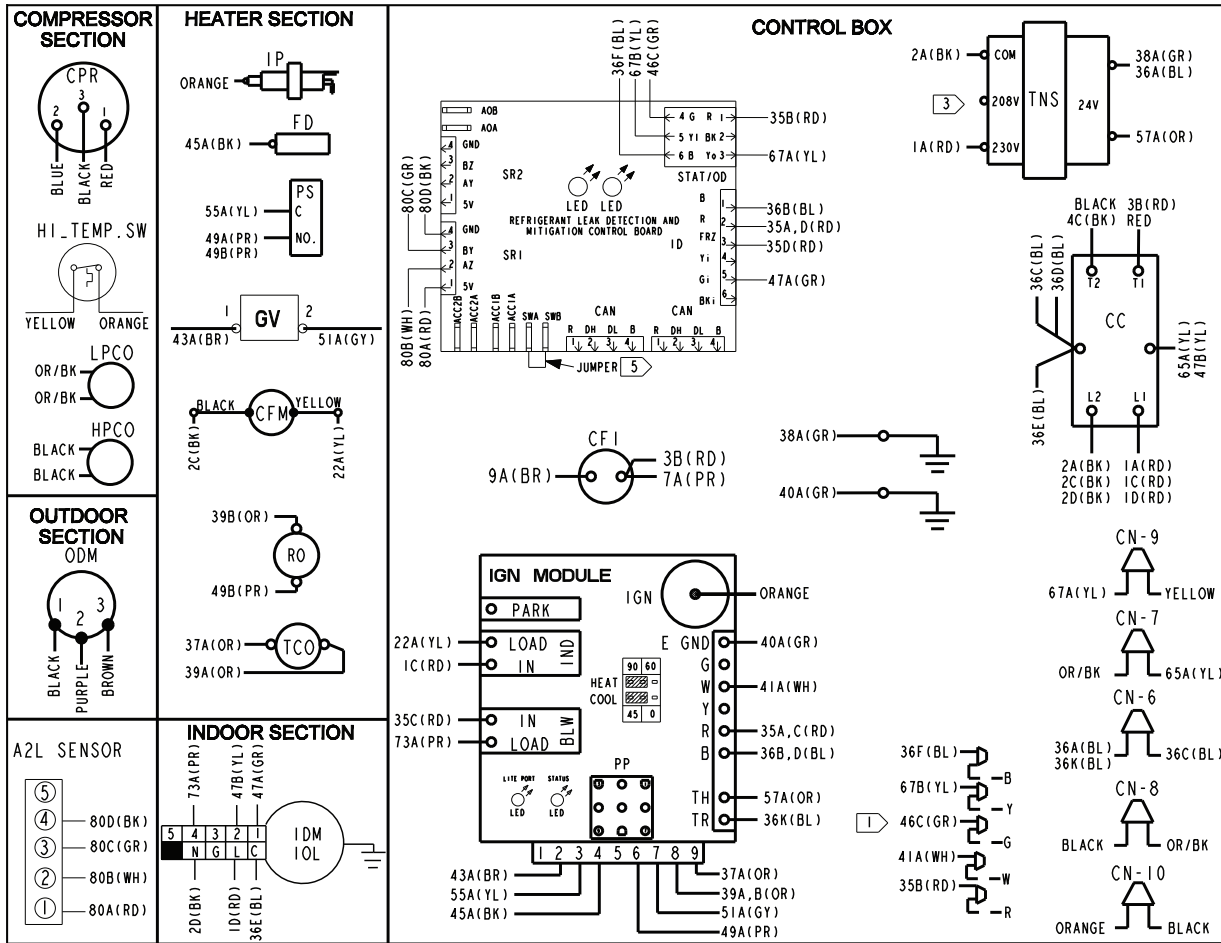


Figure 41. Models — 5YCC4036A3, 5YCC4048A3, and 5YCC4060A3

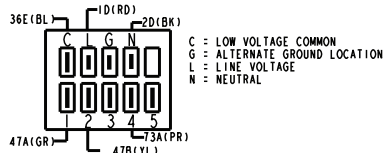


NOTES:

- CONNECTIONS SHOWN ARE FOR A TYPICAL THERMOSTAT. SEE SCHEMATIC SUPPLIED WITH THERMOSTAT FOR PROPER CONNECTIONS. LOW VOLTAGE WIRING TO UNIT MAY BE NEC CLASS 2. SET THERMOSTAT HEAT ANTICIPATOR TO .3 AMPS.
- MAXIMUM ADDITIONAL EXTERNAL LOAD (PILOT DUTY) BETWEEN "B" AND "R" OF 0.5 AMPS, 24 VAC IS AVAILABLE IN THE COOLING MODE ONLY.
- FOR 208 VOLT OPERATION MAKE THE FOLLOWING WIRING CHANGES: AT TNS, REMOVE 1A(RD) WIRE AND CONNECT TO 208V TERMINAL ON THE TRANSFORMER
- IF ANY OF THE ORIGINAL WIRE AS SUPPLIED IN THIS UNIT MUST BE REPLACED, REPLACE IT WITH APPLIANCE WIRING MATERIAL RATED AT 105°C.
- DO NOT REMOVE JUMPER UNLESS CONFIGURING AN EXTERNAL SWITCH.

NOTE: THREE PHASE MOTOR(S) FACTORY SUPPLIED IN THIS EQUIPMENT, PROTECTED UNDER PRIMARY SINGLE-PHASE CONDITIONS.

24 VOLT TRANSFORMER FUSE REPLACEMENT FU 36 VOLT TYPE ATC-5 AMP



IGN DIAGNOSTIC INDICATOR	
STATUS LED FLASH CODES	LITEPORT FLASH CODES
OFF=CHECK POWER OR BAD BOARD	2: 1 HR. LOCKOUT, NO FLAME
SLOW-NORMAL, NO CALL FOR HEAT	3: PRESS. SWITCH/INDUCER ISSUE
FAST-CALL FOR HEAT	4: OPEN LIMIT (TCO OR FR)
SOLID ON: INTERNAL ERROR-REPLACE CONTROL	5: FLAME W/O GAS VALVE
	7: GAS VALVE CIRCUIT ERROR
	8: LOW FLAME SENSE

WIRE COLOR DESIGNATION					
ABBR	COLOR	ABBR	COLOR	ABBR	COLOR
BK	BLACK	PR	PURPLE	GR	GREEN
BL	BLUE	RD	RED	YL	YELLOW
BR	BROWN	WH	WHITE	OR	ORANGE

LEGEND		
DEVICE DESIG	DESCRIPTION	LINE NUMBER
A2L_SR	A2L SENSOR	30
CC	CONTACTOR	10,37
CF1	OUTDOOR FAN CAPACITOR	13
CFM	COMBUSTION FAN MOTOR	17
CPR	COMPRESSOR	10
FD	FLAME SENSOR	30
FU	FUSE	30
GV	GAS VALVE	25
HI_TEMP_SW	HIGH TEMPERATURE SWITCH	37
HPCO	HIGH-PRESSURE CUTOFF	37
IDM	INDOOR MOTOR	16,34
IGN	IGNITION BOARD	25
IP	IGNITOR PROBE	31
LED	IGN DIAGNOSTICS INDICATOR	27
LPCO	LOW-PRESSURE CUTOFF	37
ODM	OUTDOOR MOTOR	13
PP	POLARIZED PLUG	28
PS	AIR PRESSURE SWITCH	28
RO	ROLLOUT LIMIT	28
TCO	THERMAL LIMIT SWITCH	27
TNS	TRANSFORMER, 208/230V - 24V	22
IOL	INTERNAL OVERLOAD	

Wiring Diagram

Figure 42. Models — 5YCC4036A3, 5YCC4048A3, and 5YCC4060A3

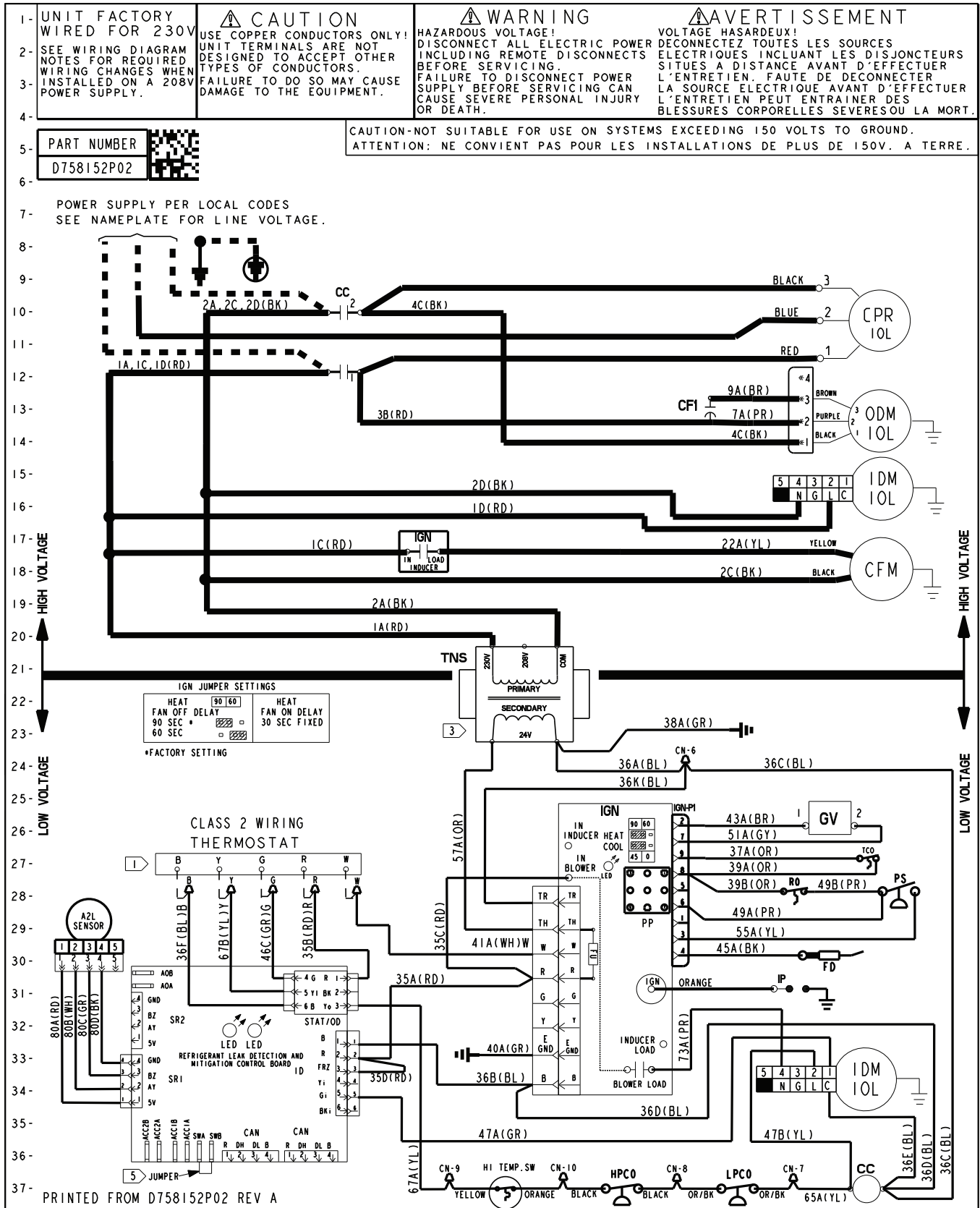
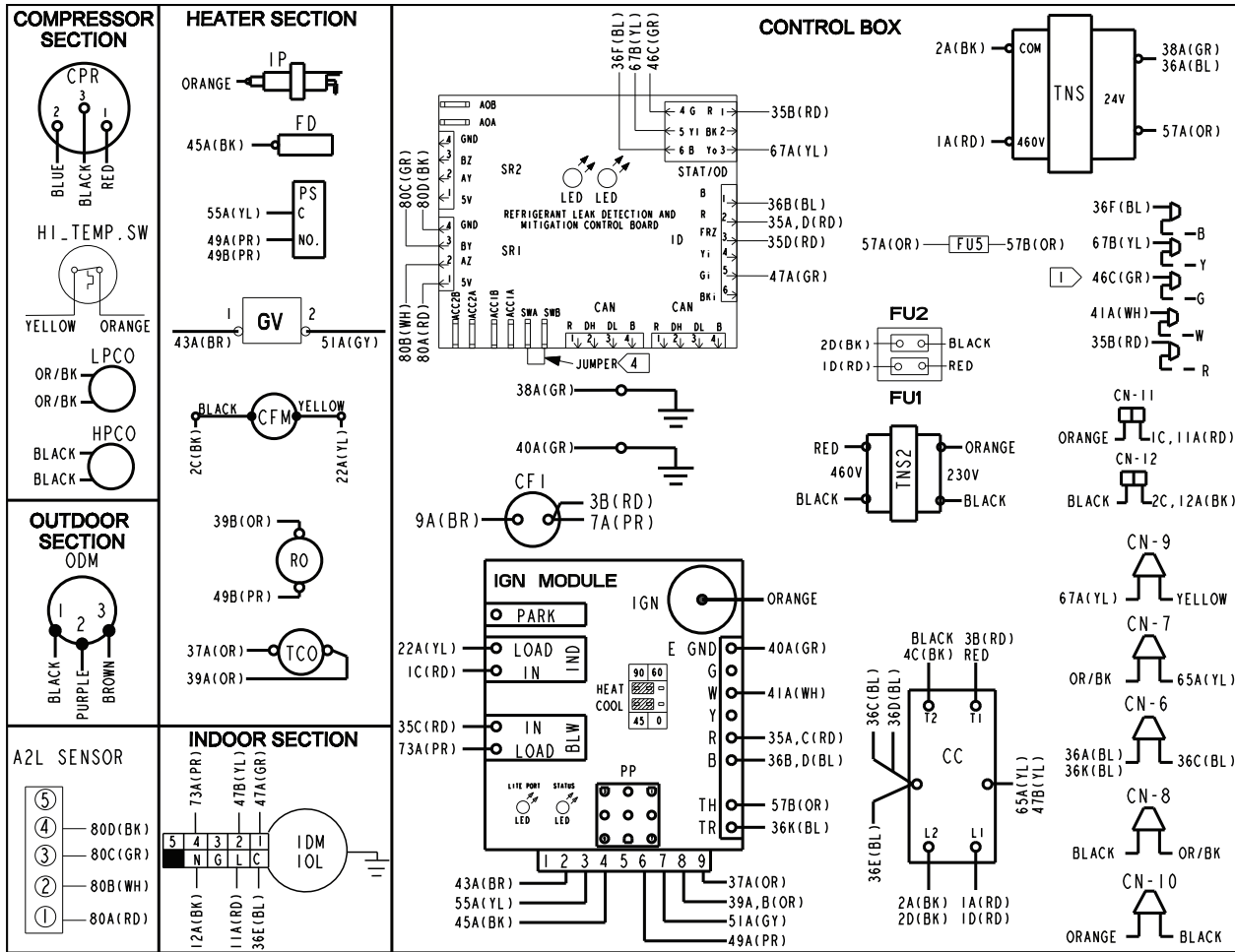


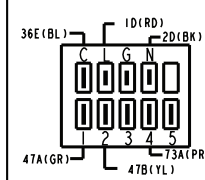
Figure 43. Models — 5YCC4036A4 and 5YCC4048A4



- NOTES:**
- CONNECTIONS SHOWN ARE FOR A TYPICAL THERMOSTAT. SEE SCHEMATIC SUPPLIED WITH THERMOSTAT FOR PROPER CONNECTIONS. LOW VOLTAGE WIRING TO UNIT MAY BE NEC CLASS 2. SET THERMOSTAT HEAT ANTICIPATOR TO .3 AMPS.
 - MAXIMUM ADDITIONAL EXTERNAL LOAD (PILOT DUTY) BETWEEN "B" AND "R" OF 0.5 AMPS, 24 VAC IS AVAILABLE IN THE COOLING MODE ONLY.
 - IF ANY OF THE ORIGINAL WIRE AS SUPPLIED IN THIS UNIT MUST BE REPLACED, REPLACE IT WITH APPLIANCE WIRING MATERIAL RATED AT 105°C.
 - DO NOT REMOVE JUMPER UNLESS CONFIGURING AN EXTERNAL SWITCH.

ICM TRANSFORMER REPLACEMENT FUSE : FU1, FU2 500 VOLT TYPE FNO - 6 AMP
 24VOLT TRANSFORMER REPLACEMENT FUSE : FU5 300 VOLT TYPE GMO - 3.2 AMP
 FU 36 VOLT TYPE ATC-5AMP

NOTE: THREE PHASE MOTOR(S) FACTORY SUPPLIED IN THIS EQUIPMENT, PROTECTED UNDER PRIMARY SINGLE-PHASE CONDITIONS.



C = LOW VOLTAGE COMMON
 G = ALTERNATE GROUND LOCATION
 L = LINE VOLTAGE
 N = NEUTRAL

IDM CONNECTION

WIRE COLOR DESIGNATION					
ABBR	COLOR	ABBR	COLOR	ABBR	COLOR
BK	BLACK	PR	PURPLE	GR	GREEN
BL	BLUE	RD	RED	YL	YELLOW
BR	BROWN	WH	WHITE	OR	ORANGE

REFRIGERANT LEAK DETECTION AND MITIGATION CONTROL BOARD GREEN LED DIAGNOSTIC INDICATOR	
OFF	NO POWER/OFF
ON	STARTUP
SLOW FLASH	NORMAL OPERATION
2 FLASH	ACTIVE ALARM - SENSOR COMMUNICATION ERROR
3 FLASH	ACTIVE ALARM - REFRIGERANT LEAK OR SENSOR FAILURE
4 FLASH	PAST REFRIGERANT DETECTED ALARM
5, 6 OR 7 FLASH	PAST SENSOR COMMUNICATION OR SENSOR ERROR

LEGEND		
DEVICE DESIG	DESCRIPTION	LINE NUMBER
A2L_SR	A2L SENSOR	30
CC	CONTACTOR	37
CF1	OUTDOOR FAN CAPACITOR	10,13
CFM	COMBUSTION FAN MOTOR	17
CPR	COMPRESSOR	10
FD	FLAME SENSOR	30
FU	FUSE, IGN BOARD	30
FU1	FUSE, AUTO TRANSFORMER	15
FU2	FUSE, AUTO TRANSFORMER	16
FU5	FUSE, 24V TRANSFORMER	24
GV	GAS VALVE	25
HI_TEMP_SW	HIGH TEMPERATURE SWITCH	37
HPCO	HIGH-PRESSURE CUTOFF	37
IDM	INDOOR MOTOR	16, 34
IGN	IGNITION BOARD	25
IP	IGNITOR PROBE	31
LED	IGN DIAGNOSTICS INDICATOR	27
LPCO	LOW-PRESSURE CUTOFF	37
ODM	OUTDOOR MOTOR	13
PP	POLARIZED PLUG	28
PS	AIR PRESSURE SWITCH	28
RO	ROLLOUT LIMIT	28
TCO	THERMAL LIMIT SWITCH	27
TNS	TRANSFORMER, 460V - 24V	22
TNS2	460V/230V AUTO TRANSFORMER	15
IOL	INTERNAL OVERLOAD	
CN	CONNECTOR OR WIRE NUT	

IGN DIAGNOSTIC INDICATOR		MOTOR WIRING					
STATUS LED FLASH CODES	LITEPORT FLASH CODES	MODE/SPEED	MOTOR TAP				
			1	2	3	4	5
OFF=CHECK POWER OR BAD BOARD	2: 1 HR. LOCKOUT, NO FLAME	CONSTANT CIRCULATION	G(GR)				
SLOW=NORMAL, NO CALL FOR HEAT	3: PRESS. SWITCH/INDUCER ISSUE	COOLING-LOW & HEATING-LOW	G(GR)	Y(YL)		W(PR)	
FAST=CALL FOR HEAT	4: OPEN LIMIT (TCO OR FR)	COOLING-LOW & HEATING-HIGH	G(GR)	Y(YL)		W(PR)	
SOLID ON: INTERNAL ERROR-REPLACE CONTROL	5: FLAME W/O GAS VALVE	COOLING-MED & HEATING-LOW	G(GR)		Y(YL)	W(PR)	
	7: GAS VALVE CIRCUIT ERROR	COOLING-HIGH & HEATING-HIGH	G(GR)			W(PR)	Y(YL)
	8: LOW FLAME SENSE	COOLING-HIGH & HEATING-LOW	G(GR)			Y(YL)	W(PR)

Wiring Diagram

Figure 44. Models — 5YCC4036A4 and 5YCC4048A4

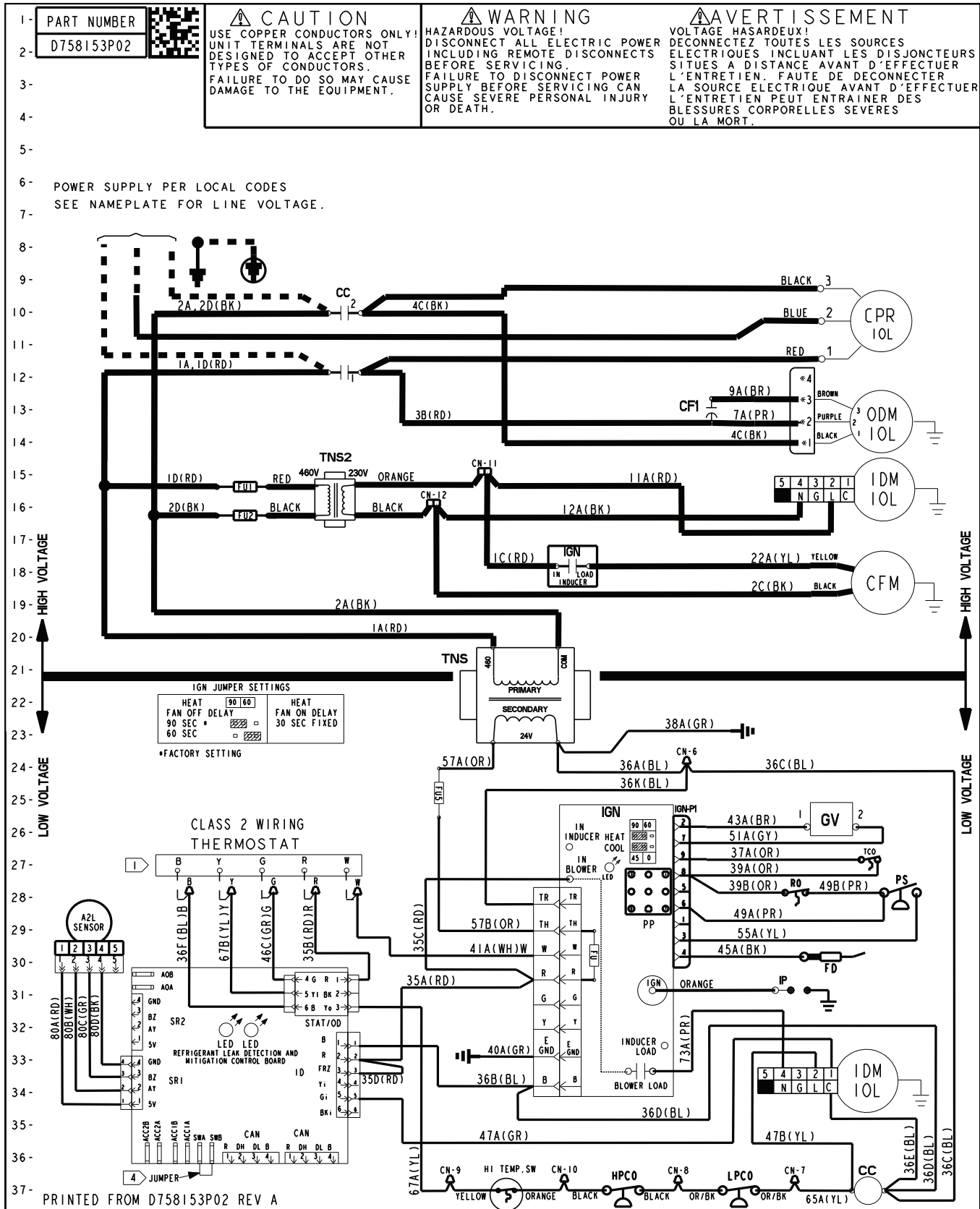
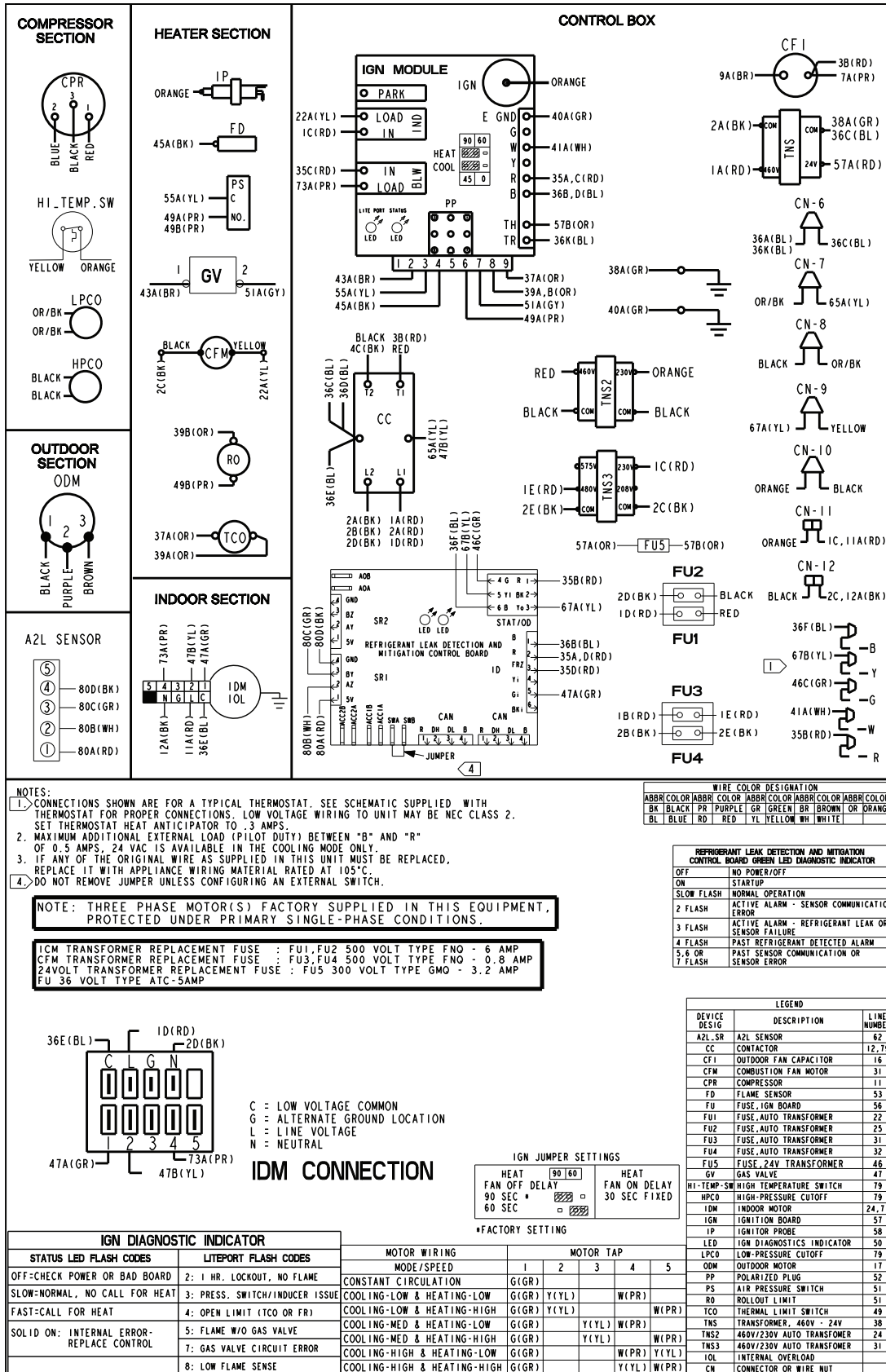
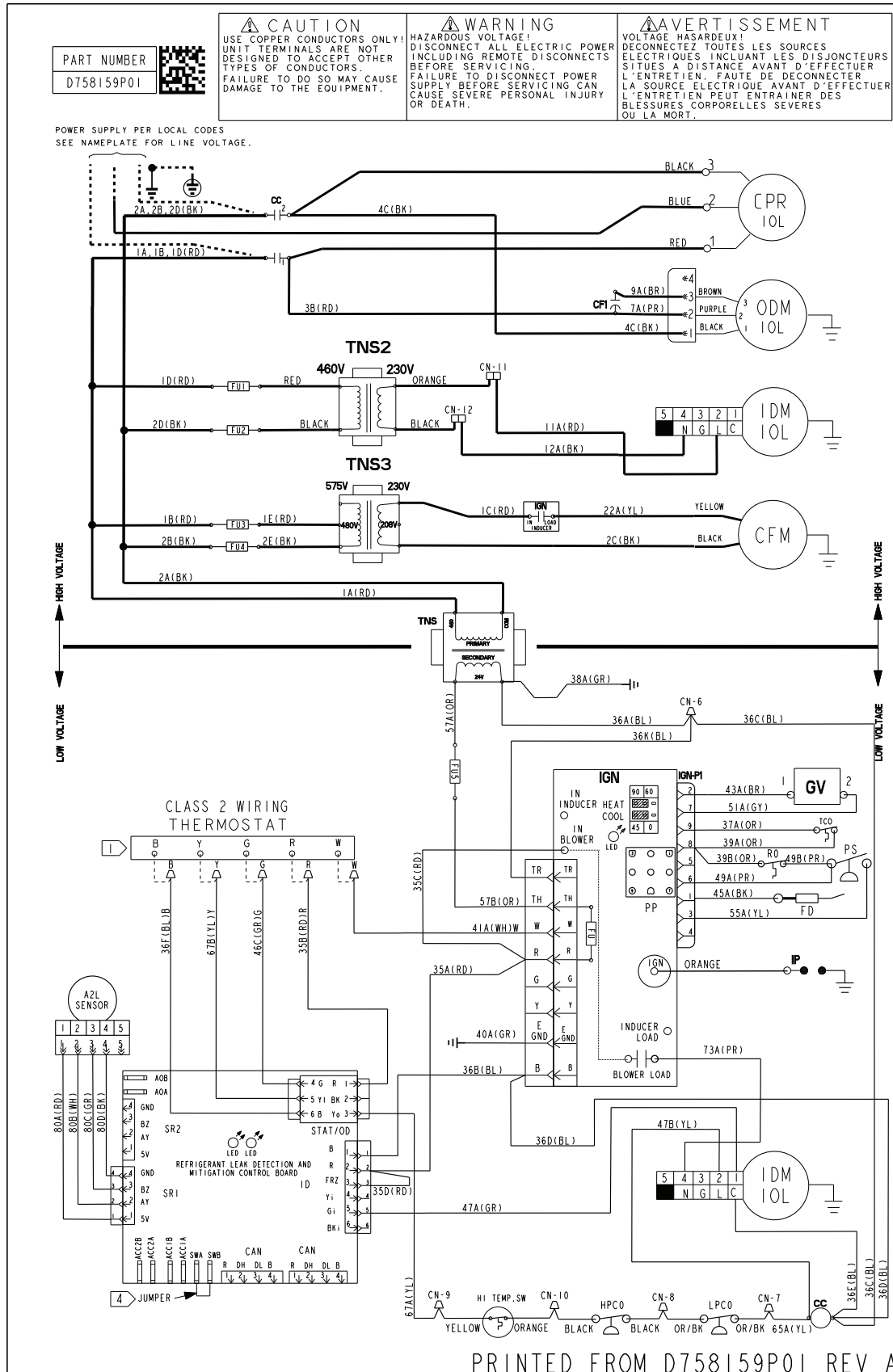


Figure 45. Model — 5YCC4060A4



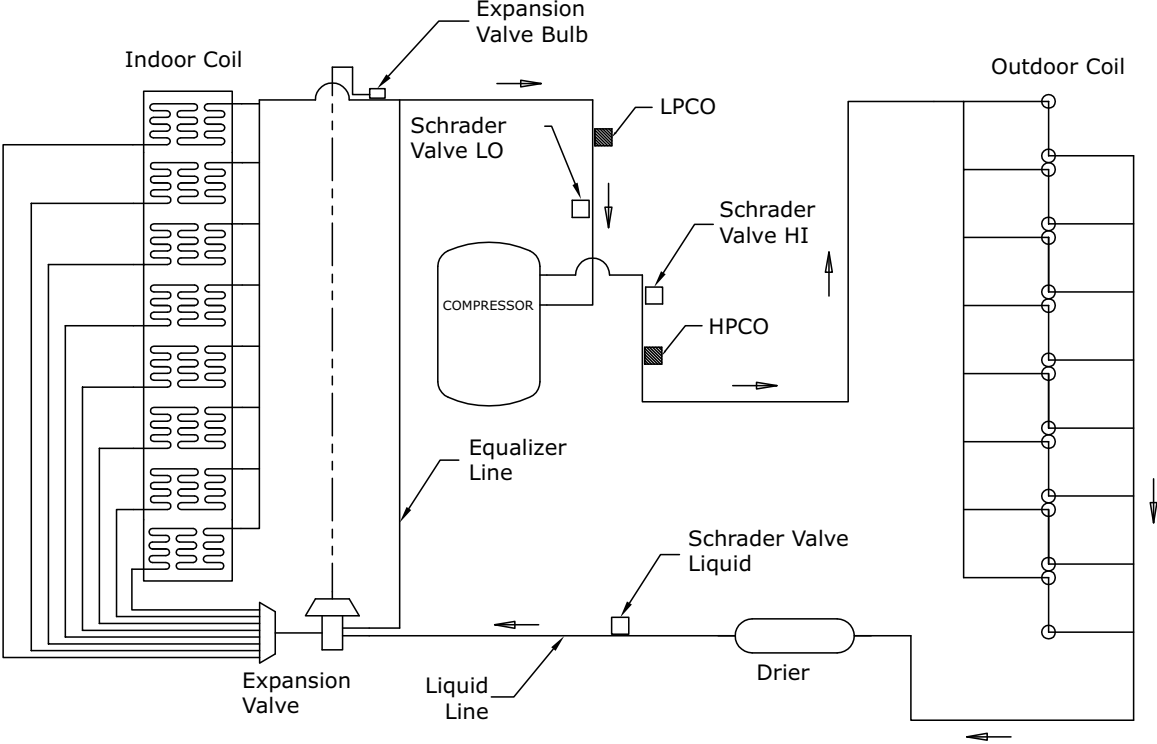
Wiring Diagram

Figure 46. Model — 5YCC4060A4



Refrigerant Circuit

Figure 47. Refrigerant circuit (for reference only)



Indicates Directions of Refrigeration Flow →

Troubleshooting

Table 34. Troubleshooting

System Faults	Power Supply	High Voltage Wiring	Compr. IOL	Run Capacitor	Start capacitor	Start Relay	Contactors	Low Voltage Wiring	Control Transformer	Contactor Coil	Low Voltage Fuse	Stuck Compressor	Inefficient Compressor	Refrigerant Undercharge	Refrigerant Overcharge	Excessive Evap. Load	Noncondensables	Restricted O.D. Airflow	O.D. Air Recirculation	TXV Stuck Open	Low Superheat	High Superheat	Restricted I.D. Airflow	Ref. Circuit Restrictions	Mitigation System
Refrigerant Circuit																									
Liquid Pressure too High	-	-	-	-	-	-	-	-	-	-	-	-	-	-	P		S	P	S	-	-	-	-	S	-
Liquid Pressure too Low	-	-	-	-	-	-	-	-	-	-	-	-	S	P	-	-	-	-	-	S	-	S	-	S	-
Suction Pressure too High	-	-	-	-	-	-	-	-	-	-	-	-	S	-	P	P	-	-	-	S	S	-	-	-	-
Suction Pressure too Low	-	-	-	-	-	-	-	-	-	-	-	-	-	S	-	-	-	-	-	-	-	S	P	S	-
Liquid Refrigerant Floodback (TXV System)	-	-	-	-	-	-	-	-	-	-	-	-	-	-	-	-	-	-	-	S	S	-	P	-	-
I.D. Coil Frosting	-	-	-	-	-	-	-	-	-	-	-	-	-	P	-	-	-	-	-	-	S	-	P	S	-
Compressor Runs Inadequate or No Cooling	-	-	-	-	-	-	-	-	-	-	-	-	S	P	-	P	S	S	S	-	-	S	P	S	-
Electrical																									
Compressor & O.D. Fan Do Not Start	P	P	-	-	-	-	S	S	P	P	P	-	-	-	-	-	-	-	-	-	-	-	-	-	P ^(a)
Compressor will not Start but O.D. Fan Runs	-	P	S	P	P	P	-	-	-	-	-	S	-	-	-	-	-	-	-	-	-	-	-	-	-
O.D. Fan will Not Start	-	P	-	P	-	-	-	-	-	-	-	-	-	-	-	-	-	-	-	-	-	-	-	-	-
Compressor Hums but will Not Start	-	P	-	P	P	P	S	-	-	-	-	S	-	-	-	-	-	-	-	-	-	-	-	-	-
Compressor Cycles on IOL	-	P	S	P	P	P	S	-	-	-	-	P	S	P	S	S	S	S	S	-	-	S	-	S	-
I.D. Blower willnot Start	P	S	-	-	-	-	-	S	P	-	P	-	-	-	-	-	-	-	-	-	-	-	-	-	-

P-primary causes / S-secondary causes

^(a) See *Verification of Mitigation Actions*, p. 43

Important Product Information

Packaged Unit Serial Number _____

Packaged Unit Model Number _____

Date of Installation _____

Dealer _____

Service Information

Call your installing dealer if the unit is inoperative. Before you call, always check the following to be sure service is required:

1. Be sure the main switch that supplies power to the unit is in the ON position.
2. Replace any burned-out fuses or reset circuit breakers.
3. Be sure the thermostat is properly set.

Service Phone _____

About Trane and American Standard Heating and Air Conditioning

Trane and American Standard create comfortable, energy efficient indoor environments for residential applications. For more information, please visit www.trane.com or www.americanstandardair.com.

The manufacturer has a policy of continuous data improvement and it reserves the right to change design and specifications without notice. We are committed to using environmentally conscious print practices.