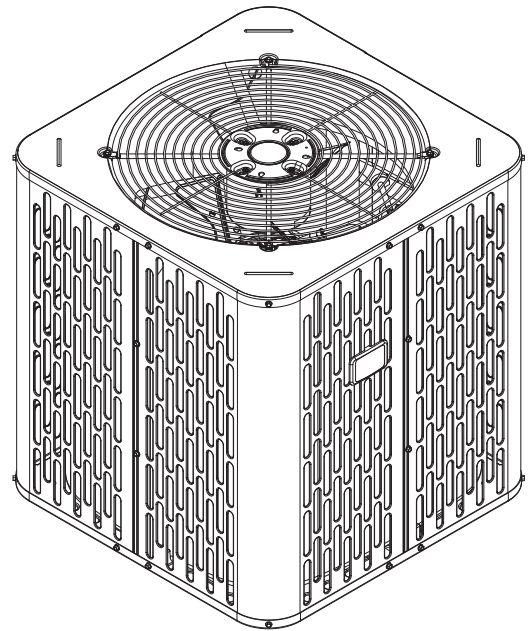


Installation, Operation, and Maintenance

Heat Pumps

A5HP5018A1000A
A5HP5024A1000A
A5HP5030A1000A
A5HP5036A1000A
A5HP5042A1000A
A5HP5048A1000A
A5HP5060A1000A



*Note: Graphics in this document are for representation only.
Actual model may differ in appearance.*

⚠ SAFETY WARNING

Only qualified personnel should install and service the equipment. The installation, starting up, and servicing of heating, ventilating, and air-conditioning equipment can be hazardous and requires specific knowledge and training. Improperly installed, adjusted or altered equipment by an unqualified person could result in death or serious injury. When working on the equipment, observe all precautions in the literature and on the tags, stickers, and labels that are attached to the equipment.

Introduction

Read this manual thoroughly before operating or servicing this unit.

This document is customer property and is to remain with this unit. Return to the service information pack upon completion of work.

Warnings, Cautions, and Notices

Safety advisories appear throughout this manual as required. Your personal safety and the proper operation of this machine depend upon the strict observance of these precautions.

The three types of advisories are defined as follows:



WARNING

Indicates a potentially hazardous situation which, if not avoided, could result in death or serious injury.



CAUTION

Indicates a potentially hazardous situation which, if not avoided, could result in minor or moderate injury. It could also be used to alert against unsafe practices.

NOTICE

Indicates a situation that could result in equipment or property-damage only accidents.

Important Environmental Concerns

Scientific research has shown that certain man-made chemicals can affect the earth's naturally occurring stratospheric ozone layer when released to the atmosphere. In particular, several of the identified chemicals that may affect the ozone layer are refrigerants that contain Chlorine, Fluorine and Carbon (CFCs) and those containing Hydrogen, Chlorine, Fluorine and Carbon (HCFCs). Not all refrigerants containing these compounds have the same potential impact to the environment. Trane advocates the responsible handling of all refrigerants.

Important Responsible Refrigerant Practices

Trane believes that responsible refrigerant practices are important to the environment, our customers, and the air conditioning industry. All technicians who handle refrigerants must be certified according to local rules. For the USA, the Federal Clean Air Act (Section 608) sets forth the requirements for handling, reclaiming, recovering and recycling of certain refrigerants and the equipment that is used in these service procedures. In addition, some states or municipalities may have additional requirements that must also be adhered to for responsible management of refrigerants. Know the applicable laws and follow them.

⚠ WARNING

Proper Field Wiring and Grounding Required!

Failure to follow code could result in death or serious injury.

All field wiring **MUST** be performed by qualified personnel. Improperly installed and grounded field wiring poses **FIRE** and **ELECTROCUTION** hazards. To avoid these hazards, you **MUST** follow requirements for field wiring installation and grounding as described in **NEC** and your local/state/national electrical codes.

⚠ WARNING

Personal Protective Equipment (PPE) Required!

Failure to wear proper PPE for the job being undertaken could result in death or serious injury.

Technicians, in order to protect themselves from potential electrical, mechanical, and chemical hazards, **MUST** follow precautions in this manual and on the tags, stickers, and labels, as well as the instructions below:

- **Before installing/servicing this unit, technicians MUST put on all PPE required for the work being undertaken (Examples; cut resistant gloves/sleeves, butyl gloves, safety glasses, hard hat/bump cap, fall protection, electrical PPE and arc flash clothing). ALWAYS refer to appropriate Safety Data Sheets (SDS) and OSHA guidelines for proper PPE.**
- **When working with or around hazardous chemicals, ALWAYS refer to the appropriate SDS and OSHA/GHS (Global Harmonized System of Classification and Labelling of Chemicals) guidelines for information on allowable personal exposure levels, proper respiratory protection and handling instructions.**
- **If there is a risk of energized electrical contact, arc, or flash, technicians MUST put on all PPE in accordance with OSHA, NFPA 70E, or other country-specific requirements for arc flash protection, PRIOR to servicing the unit. NEVER PERFORM ANY SWITCHING, DISCONNECTING, OR VOLTAGE TESTING WITHOUT PROPER ELECTRICAL PPE AND ARC FLASH CLOTHING. ENSURE ELECTRICAL METERS AND EQUIPMENT ARE PROPERLY RATED FOR INTENDED VOLTAGE.**

⚠ WARNING**Follow EHS Policies!**

Failure to follow instructions below could result in death or serious injury.

- All Trane personnel must follow the company's Environmental, Health and Safety (EHS) policies when performing work such as hot work, electrical, fall protection, lockout/tagout, refrigerant handling, etc. Where local regulations are more stringent than these policies, those regulations supersede these policies.
- Non-Trane personnel should always follow local regulations.

⚠ WARNING**Cancer and Reproductive Harm!**

This product can expose you to chemicals, including lead, which are known to the State of California to cause cancer and birth defects or other reproductive harm. For more information go to www.P65Warnings.ca.gov.

⚠ WARNING**Safety Hazard!**

Failure to follow instructions below could result in death or serious injury or property damage.

This unit is not to be used by persons (including children) with reduced physical, sensory, or mental capabilities, or lack of experience and knowledge, unless they have been given supervision or instruction concerning the use of the appliance by a person responsible for their safety.

Do not allow children to play or climb on the unit or to clean or maintain the unit without supervision.

⚠ WARNING**Follow National Building Codes!**

Failure to follow instructions below could result in death or serious injury, or property damage.

This product designed and manufactured to permit installation in accordance with the National Electric Code, NFPA No. 90A and 90B, and any other local codes or utilities requirements. It is the installer's responsibility to verify that product is installed in strict compliance with national and local codes. Manufacturer will not take responsibility for any damage caused due to installations violating regulations.

⚠ WARNING**Risk of Fire — Flammable Refrigerant!**

Failure to follow instructions below could result in death or serious injury, and equipment damage.

- To be repaired only by trained service personnel.
- Do not puncture refrigerant tubing.
- Dispose of properly in accordance with federal or local regulations.

⚠ WARNING**Safety Hazard!**

Failure to follow instructions below could result in death or serious injury and/or property damage.

Only qualified personnel with adequate electrical and mechanical experience must repair the unit. The manufacturer or seller is not responsible for any interpretation or resulting liability.

⚠ WARNING**System Charge!**

Failure to follow instructions below could result in abrupt release of system charge and could result in serious injury or property damage.

When opening the suction and liquid line service valve, turn the valve stem counterclockwise only until the stem contacts the rolled edge. Do not apply torque.

⚠ WARNING**Ventilation Required!**

Failure to follow instructions below could result in death or serious injury or property damage.

Confirm the area is adequately ventilated before breaking into the system or conducting any hot work.

⚠ WARNING**Safety Hazard!**

Failure to follow instructions below could result in death or serious injury and equipment or property damage.

- Do not use any items other than those approved by the manufacturer for the defrosting or cleaning process.
- Do not pierce or burn.
- Be cautious that refrigerants may be odorless.

⚠ WARNING

Live Electrical Components!

Failure to follow all electrical safety precautions when exposed to live electrical components could result in death or serious injury.

When it is necessary to work with live electrical components, have a qualified licensed electrician or other individual who has been properly trained in handling live electrical components perform these tasks.

⚠ CAUTION

Unit Contains R-454B Refrigerant!

Failure to use proper service tools may result in equipment damage or personal injury.

Use only R-454B refrigerant and approved compressor oil.

⚠ CAUTION

Brazed Joints!

Failure to follow instructions below could result in minor to moderate injury or equipment damage.

When using existing refrigerant lines, verify all joints are brazed and not soldered.

⚠ CAUTION

Hot Surface!

Failure to follow instructions below could result in minor to severe burns.

Do not touch top of compressor. It may be hot.

Copyright

This document and the information in it are the property of Trane, and may not be used or reproduced in whole or in part without written permission. Trane reserves the right to revise this publication at any time, and to make changes to its content without obligation to notify any person of such revision or change.

Trademark

All trademarks referenced in this document are the trademarks of their respective owners.

Revision History

- Updated safety hazards in the Introduction chapter to align with current refrigerant guidelines.
- Updated Refrigerant Line Considerations tables in the Refrigeration chapter.
- Updated Subcooling Charging in Cooling section in the System Charge Adjustment chapter.

Table of Contents

| | | | |
|---------------------------------------------------------|----|--------------------------------------------------------------------------|----|
| Pre-Installation | 6 | Defrost Control - All Models Except 036 | 19 |
| General | 6 | Defrost Control - 036 Model Only | 20 |
| Operating Range | 7 | High Voltage | 20 |
| Piping Guidelines | 7 | High Voltage Power Supply | 20 |
| Unit Dimensions and Weights | 7 | System Start-Up | 22 |
| Refrigerant Piping Limits | 7 | System Charge Adjustment | 23 |
| High Voltage | 8 | Temperature Measurements | 23 |
| Cold Climate Considerations | 9 | Subcooling Charging in Cooling (Above 55° F Outdoor Temp.) | 23 |
| Unit Preparation | 9 | Charging the Unit | 25 |
| Prepare the Unit for Installation | 9 | Subcooling Charging Below 55° F Outdoor Temp. (In Heating Only) | 26 |
| Setting the Unit | 9 | Checkout Procedures | 27 |
| Pad Installation | 9 | Operational And Checkout Procedures | 27 |
| Refrigeration | 9 | Defrost Control | 28 |
| Refrigerant Line Considerations | 9 | Defrost Control | 28 |
| Refrigerant Line Routing | 11 | Fault Detection | 28 |
| Refrigerant Line Brazing | 12 | Pin Identification on J5 | 28 |
| Refrigerant Line Leak Check | 14 | Defrost Control Checkout | 28 |
| Evacuation and Servicing | 15 | Test Sensors | 28 |
| Evacuate the Refrigerant Lines and Indoor Coil | 15 | Troubleshooting | 31 |
| Servicing | 15 | Wiring Diagrams | 34 |
| Service Valves | 15 | Pressure Curves | 37 |
| Open the Gas Service Valve First | 15 | Refrigerant Circuit | 41 |
| Open the Liquid Service Valve Second | 16 | | |
| Electrical | 17 | | |
| Low Voltage | 17 | | |
| Low Voltage Maximum Wire Length | 17 | | |
| Low Voltage Connection Diagrams | 17 | | |
| Mitigation Board Guidelines | 19 | | |

Pre-Installation

General

⚠ WARNING

Safety Hazard!

Failure to follow instructions below could result in death or serious injury and/or property damage. Only qualified personnel should install and service the equipment. The installation, starting up, and servicing of heating, ventilating, and air-conditioning equipment can be hazardous and requires specific knowledge and training. Improperly installed, adjusted or altered equipment by an unqualified person could result in death or serious injury. When working on the equipment, observe all precautions in the literature and on the tags, stickers, and labels that are attached to the equipment.

⚠ WARNING

Risk of Fire — Flammable Refrigerant!

Failure to follow instructions below could result in death or serious injury, and equipment damage.

- To be repaired only by trained service personnel.
- Do not puncture refrigerant tubing.
- Dispose of properly in accordance with federal or local regulations.

⚠ WARNING

Safety Hazard!

Failure to follow instructions below could result in death or serious injury and/or property damage. Only qualified personnel with adequate electrical and mechanical experience must repair the unit. The manufacturer or seller is not responsible for any interpretation or resulting liability.

⚠ CAUTION

Unit Contains R-454B Refrigerant!

Failure to use proper service tools may result in equipment damage or personal injury. Use only R-454B refrigerant and approved compressor oil.

⚠ WARNING

System Charge!

Failure to follow instructions below could result in abrupt release of system charge and could result in serious injury or property damage. When opening the suction and liquid line service valve, turn the valve stem counterclockwise only until the stem contacts the rolled edge. Do not apply torque.

⚠ WARNING

Ventilation Required!

Failure to follow instructions below could result in death or serious injury or property damage. Confirm the area is adequately ventilated before breaking into the system or conducting any hot work.

⚠ WARNING

Live Electrical Components!

Failure to follow all electrical safety precautions when exposed to live electrical components could result in death or serious injury.

When it is necessary to work with live electrical components, have a qualified licensed electrician or other individual who has been properly trained in handling live electrical components perform these tasks.

⚠ WARNING

Safety Hazard!

Failure to follow instructions below could result in death or serious injury or property damage. This unit is not to be used by persons (including children) with reduced physical, sensory, or mental capabilities, or lack of experience and knowledge, unless they have been given supervision or instruction concerning the use of the appliance by a person responsible for their safety. Do not allow children to play or climb on the unit or to clean or maintain the unit without supervision.

⚠ CAUTION

Brazed Joints!

Failure to follow instructions below could result in minor to moderate injury or equipment damage. When using existing refrigerant lines, verify all joints are brazed and not soldered.

⚠ CAUTION

Hot Surface!

Failure to follow instructions below could result in minor to severe burns. Do not touch top of compressor. It may be hot.

⚠ WARNING

Cancer and Reproductive Harm!

This product can expose you to chemicals, including lead, which are known to the State of California to cause cancer and birth defects or other reproductive harm. For more information go to www.P65Warnings.ca.gov.

⚠ WARNING

Ventilation Required!

Failure to follow instructions below could result in death or serious injury or property damage. Confirm the area is adequately ventilated before breaking into the system or conducting any hot work.

Note: The manufacturer recommends installing only approved matched indoor and outdoor systems. All of the manufacture’s split systems are AHRI rated only with TXV/EEV indoor systems. Some of the benefits of installing approved matched indoor and outdoor split systems are maximum efficiency, optimum performance and the best overall system reliability.

Operating Range

Table 1. Operating range

| Mode | Model | Operating Range |
|---------|-------------|-----------------|
| Cooling | 1.5 – 5 Ton | 55°F – 120°F |
| Heating | 1.5 – 5 Ton | 0°F – 66°F |

Piping Guidelines

Piping material, pipe routing, and installation shall include protection from physical damage in operation and service, and be in compliance with national and local codes and standards. All field joints shall be accessible for inspection prior to being covered or enclosed. Install of pipe work shall be kept to a minimum. That provisions shall be made for expansion and contraction of long runs of piping.

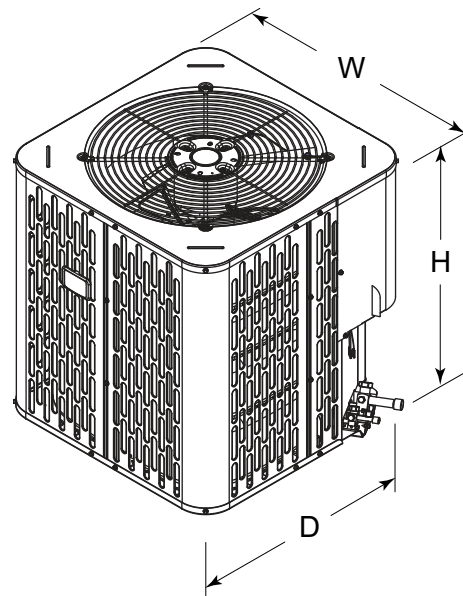
Unit Dimensions and Weights

Table 2. Unit dimensions and weight

| Models | H x D x W (in.) | Weight ^(a) (lbs) |
|-----------|-----------------|-----------------------------|
| A5HP5018A | 33 x 30 x 33 | 174 |
| A5HP5024A | 33 x 30 x 33 | 174 |
| A5HP5030A | 33 x 30 x 33 | 174 |
| A5HP5036A | 33 x 34 x 34 | 199 |
| A5HP5042A | 45 x 34 x 34 | 250 |
| A5HP5048A | 45 x 34 x 34 | 250 |
| A5HP5060A | 45 x 34 x 34 | 251 |

^(a) Weight values are estimated uncrated.

Figure 1. Unit dimensions



When mounting the outdoor unit on a roof, be sure the roof will support the units weight.

Properly selected isolation is recommended to alleviate sound or vibration transmission to the building structure.

Refrigerant Piping Limits

- The maximum TOTAL length of refrigerant lines from outdoor to indoor unit should NOT exceed 150 feet (including lift).
- The maximum vertical change should not exceed 50 feet.
- Service valve connection diameters are shown in “Refrigerant Line Considerations,” p. 9 chapter.

Note: For other line lengths, See the Refrigerant Piping — Application Guide, (SS-APG006-EN).*

Figure 2. Refrigerant total line length limit

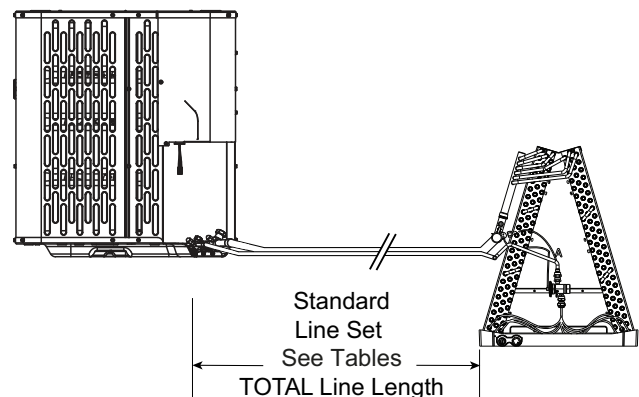


Figure 3. Refrigerant piping vertical change limit

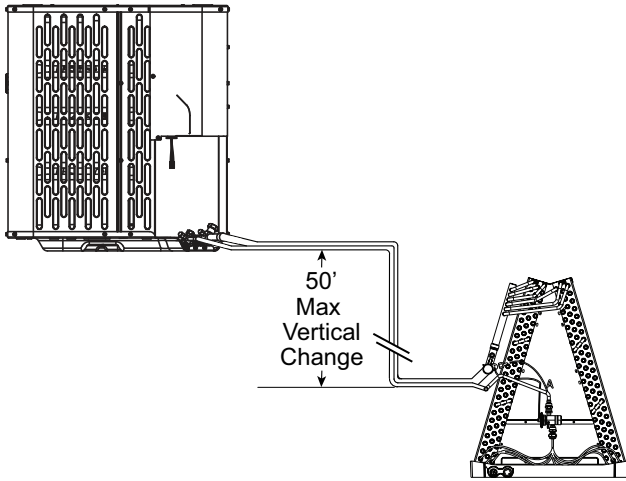
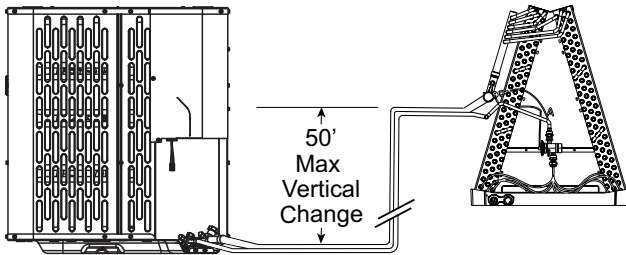


Figure 4. Refrigerant piping vertical change limit



High Voltage

High Voltage Power Supply

⚠ WARNING

Live Electrical Components!

Failure to follow all electrical safety precautions when exposed to live electrical components could result in death or serious injury.

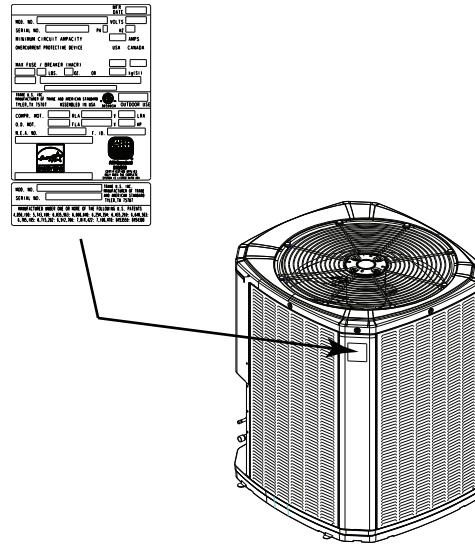
When it is necessary to work with live electrical components, have a qualified licensed electrician or other individual who has been properly trained in handling live electrical components perform these tasks.

The high voltage power supply must agree with the equipment nameplate.

Power wiring must comply with national, state, and local codes.

Follow instructions on unit wiring diagram located on the inside of the control box cover and in the Installation, Operation, and Maintenance (IOM) document included with the unit.

Figure 5. Nameplate location

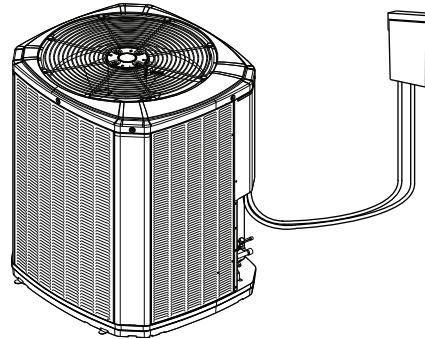


High Voltage Disconnect Switch

Install a separate disconnect switch at the outdoor unit.

For high voltage connections, flexible electrical conduct is recommended whenever vibration transmission may create a noise problem within the structure.

Figure 6. High voltage disconnect switch



High Voltage Ground

Ground the outdoor unit per National, State, and Local code requirements.

⚠ WARNING

Safety Hazard!

Failure to follow instructions below could result in death or serious injury, and property damage.

Confirm the cabling is protected from wear and tear, corrosion, excessive pressure, vibration, sharp edges, and any other adverse environmental effects.

Cold Climate Considerations

Note: It is recommended that these precautions be taken for units being installed in areas where snow accumulation and prolonged below freezing temperatures occur.

- Units should be elevated 3 to 12 inches above the pad or rooftop, depending on local weather. This additional height will allow drainage of snow and ice melted during defrost cycle prior to its refreezing. Ensure that drain holes in unit base pan are not obstructed preventing draining of defrost water.
- If possible, avoid locations that are likely to accumulate snow drifts. If not possible, a snow drift barrier should be installed around the unit to prevent a build-up of snow on the sides of the unit.

Unit Preparation

Prepare the Unit for Installation

- Check for damage and report promptly to the carrier any damage found to the unit.
- To remove the unit from the pallet, remove tabs by cutting with a sharp tool.

Setting the Unit

Pad Installation

When installing the unit on a support pad, such as a concrete slab, consider the following:

- The pad should be at least 1-inch larger than the unit on all sides.
- The pad must be separate from any structure.
- The pad must be level.
- The pad should be high enough above grade to allow for drainage.
- The pad location must comply with National, State, and Local codes.

Refrigeration

Refrigerant Line Considerations

Table 3. Refrigerant line and service valve connection sizes

| Model | Rated Line Sizes | | Service Valve Connection Sizes | |
|-----------|------------------|-------------|--------------------------------|------------------------|
| | Vapor Line | Liquid Line | Vapor Line Connection | Liquid Line Connection |
| A5HP5018A | 3/4 | 5/16 | 3/4 | 5/16 |
| A5HP5024A | 3/4 | 5/16 | 3/4 | 5/16 |

Table 3. Refrigerant line and service valve connection sizes (continued)

| Model | Rated Line Sizes | | Service Valve Connection Sizes | |
|-----------|------------------|-------------|--------------------------------|------------------------|
| | Vapor Line | Liquid Line | Vapor Line Connection | Liquid Line Connection |
| A5HP5030A | 3/4 | 5/16 | 3/4 | 5/16 |
| A5HP5036A | 3/4 | 5/16 | 3/4 | 5/16 |
| A5HP5042A | 7/8 | 5/16 | 7/8 | 5/16 |
| A5HP5048A | 7/8 | 5/16 | 7/8 | 5/16 |
| A5HP5060A | 7/8 | 5/16 | 7/8 | 5/16 |

Table 4. Alternate refrigerant line and service valve connection sizes

| Model | Rated Line Sizes | | Service Valve Connection Sizes | |
|-----------|------------------|-------------|--------------------------------|------------------------|
| | Vapor Line | Liquid Line | Vapor Line Connection | Liquid Line Connection |
| A5HP5018A | 5/8 | 3/8 | 3/4 | 5/16 |
| A5HP5024A | 5/8 | 3/8 | 3/4 | 5/16 |
| A5HP5030A | 5/8 | 3/8 | 3/4 | 5/16 |
| A5HP5036A | 5/8 | 3/8 | 3/4 | 5/16 |
| A5HP5042A | 3/4 | 3/8 | 7/8 | 5/16 |
| A5HP5048A | 3/4 | 3/8 | 7/8 | 5/16 |
| A5HP5060A | 3/4 | 3/8 | 7/8 | 5/16 |

Factory Charge

The outdoor condensing units are factory charged with the system charge required for the outdoor condensing unit, fifteen (15) ft. of tested connecting line, and the nominal rated indoor evaporative coil match. Always verify proper system charge via subcooling (TXV/EEV) or superheat (fixed orifice) per the unit nameplate.

Required Refrigerant Line Length

Determine required line length and lift. You will need this to determine the subcooling charging corrections later in the installation process.

Total Line Length = _____ Ft.

Total Vertical Change (lift) = _____ Ft.

Figure 7. Required refrigerant line length

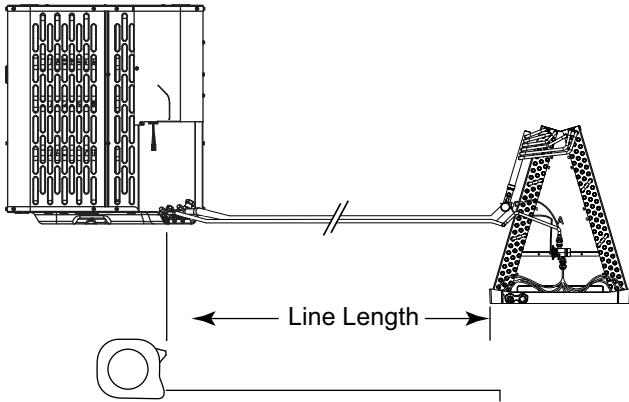
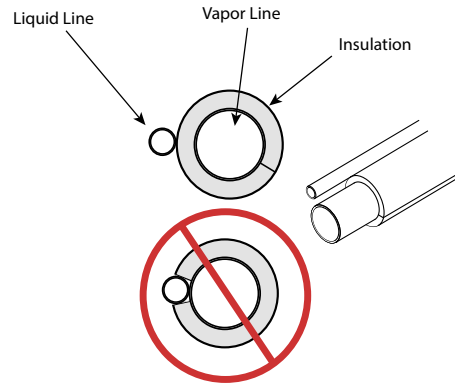


Figure 8. Refrigerant line insulation



Refrigerant Line Insulation

Important: The vapor line must always be insulated. Do not allow the Liquid Line and Vapor Line to come in direct (metal to metal) contact.

Refrigerant Line Routing

Precautions

Important: Take precautions to prevent noise within the building structure due to vibration transmission from the refrigerant lines.

Comply with national, state, and local codes when isolating line sets from joists, rafters, walls, or other structural elements.

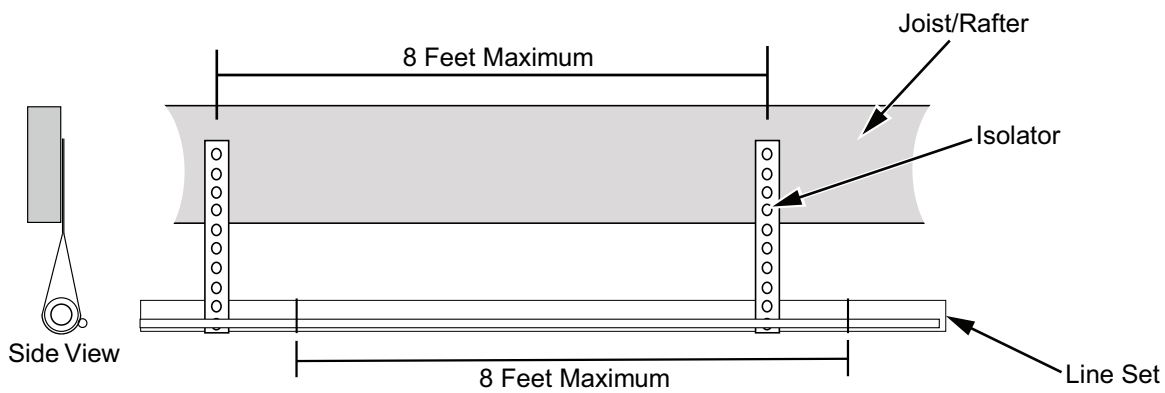
For example:

- When the refrigerant lines need to be fastened to floor joists or other framing in a structure, use isolation type hangers.

- Isolation hangers should also be used when refrigerant lines are run in stud spaces or enclosed ceilings.
- Where the refrigerant lines run through a wall or sill, they should be insulated and isolated.
- Isolate the lines from all ductwork.
- Minimize the number of 90° turns.

Secure the vapor line from joists using isolators every 8 feet. Secure the liquid line directly to the vapor line using tape, wire, or other appropriate method every 8 feet.

Figure 9. Isolation from joist/rafter



Secure the vapor line using isolators every 8 feet. Secure the liquid line directly to the vapor line using tape, wire, or other appropriate method every 8 feet.

Figure 10. Isolation in wall spaces

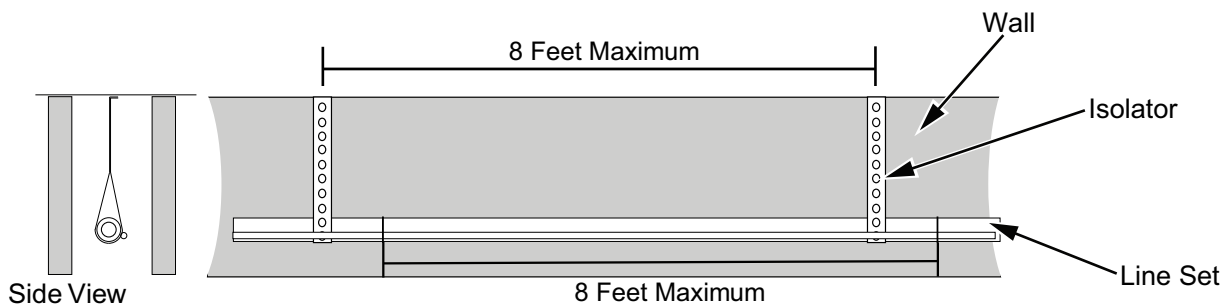


Figure 11. Isolation through wall

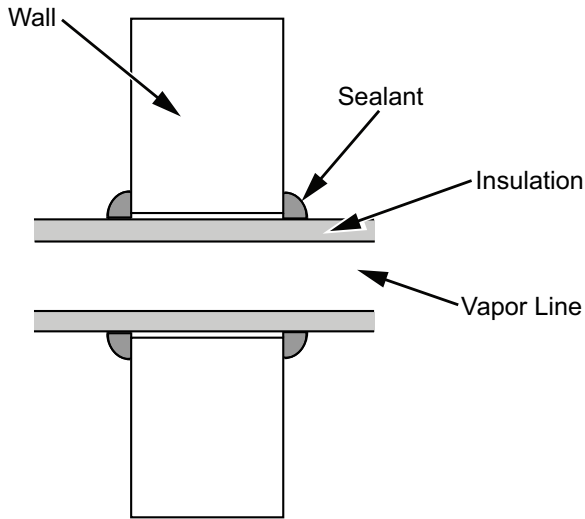
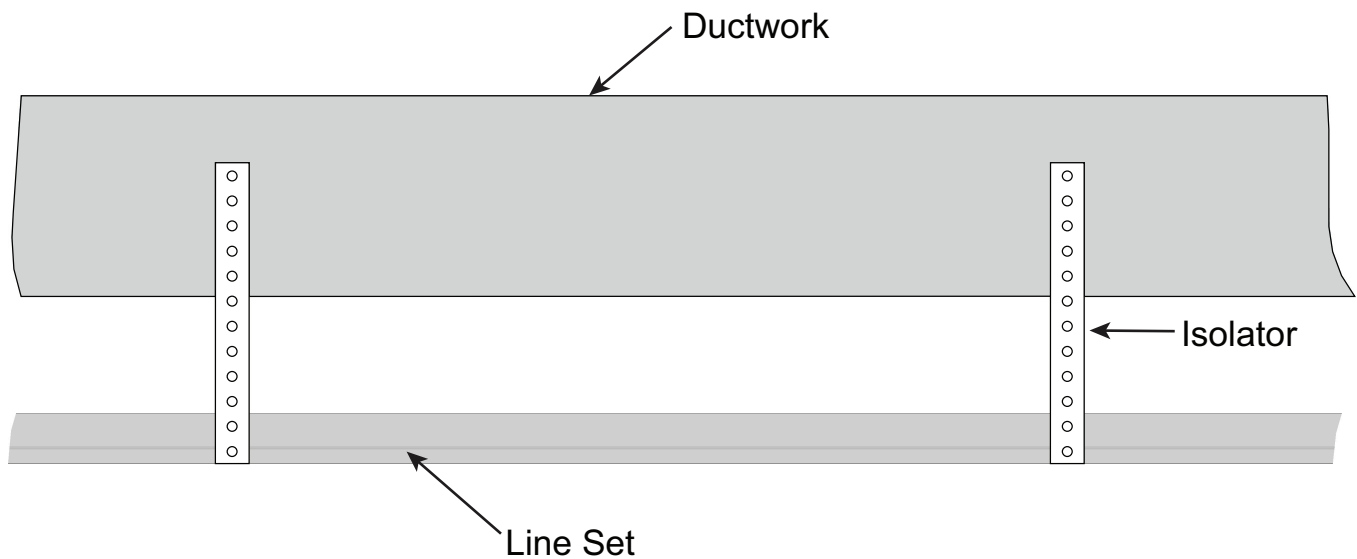


Figure 12. Incorrect lineset installation



Do not hang line sets from ductwork.

Refrigerant Line Brazing

Braze the Refrigerant Lines

1. Remove caps or plugs. Use a deburring tool to deburr the pipe ends. Clean both internal and external surfaces of the tubing using an emery cloth.
2. Remove the pressure tap cap and valve cores from both service valves.
3. Purge the refrigerant lines and indoor coil with dry nitrogen.

Note: A2L equipment shall have red marked service ports and pipes through which refrigerant is serviced.

4. Wrap a wet rag around the valve body to avoid heat damage and continue the dry nitrogen purge.

- a. Braze the refrigerant lines to the service valves.
- b. For units shipped with a field-installed external drier, check liquid line filter driers directional flow arrow to confirm correct direction of refrigeration flow (away from outdoor unit and toward evaporator coil) as illustrated. Braze the filter drier to the Liquid Line.
- c. Continue the dry nitrogen purge. Do not remove the wet rag until all brazing is completed.

Important: Remove the wet rag before stopping the dry nitrogen purge.

Notes:

- *Install drier in Liquid Line.*
- *Precautions should be taken to avoid heat damage to basepan during brazing. It is recommended to keep the flame directly off of the basepan.*

5. Replace the pressure tap valve cores and plastic tabs after the service valves have cooled.

Figure 13. Removal of caps or plugs from pipe ends

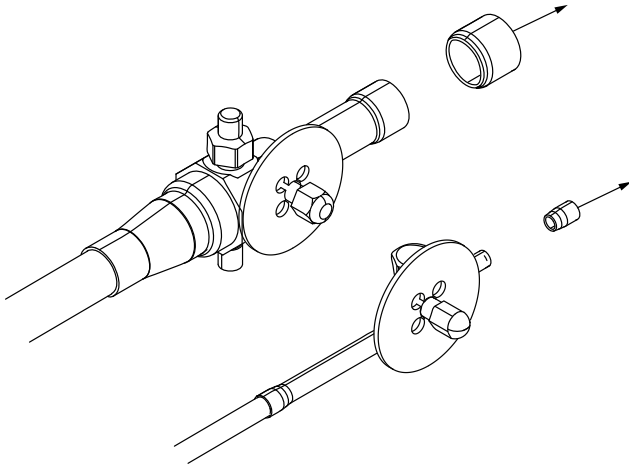


Figure 14. Removal of pressure cap and valve cores from service valves

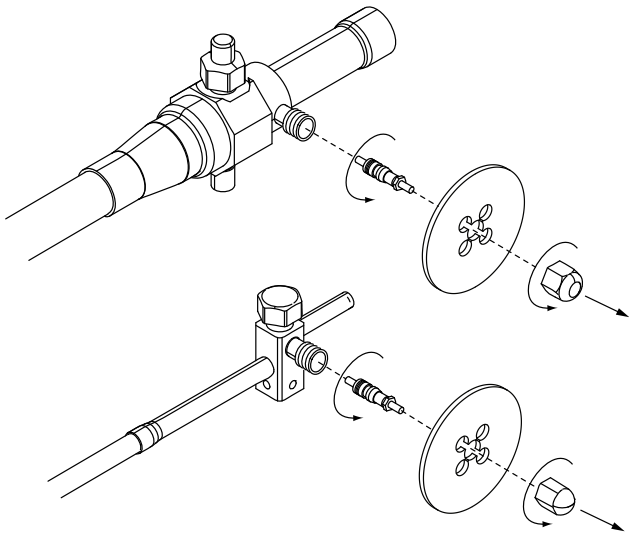


Figure 15. Purging of refrigerant lines

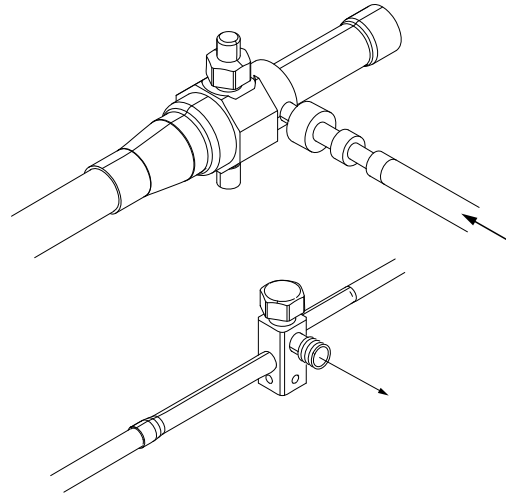


Figure 16. Wrapping of wet rag

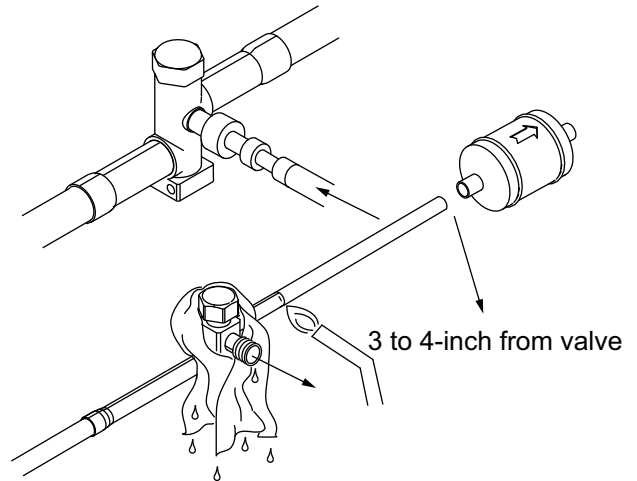
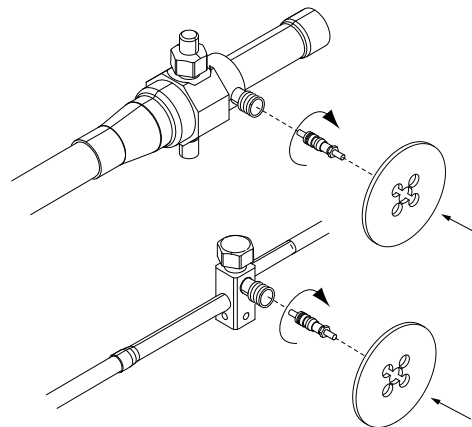


Figure 17. Re-installation of pressure valve cores and plastic tabs



Refrigerant Line Leak Check

Check For Leaks

After completion of field piping for split systems, the field pipework shall be pressure tested with nitrogen and then vacuum tested prior to refrigerant charging.

Important:

1. *Under no circumstances shall potential sources of ignition be used in the searching for or detection of refrigerant leaks.*
2. *The following leak detection methods are deemed acceptable for all refrigerant systems:*
 - a. *Electronic leak detectors calibrated for R-454B (with a sensitivity of 5 grams/year).*
 - b. *Bubble method.*
3. *The outdoor unit should not be tested higher than 450 psig for servicing or component replacement. The indoor unit and line sets should be tested to the max pressure specified on the outdoor or indoor unit nameplate. The service valves should be closed when pressure testing the evaporator coil and linesets to separate the outdoor unit from the indoor unit.*

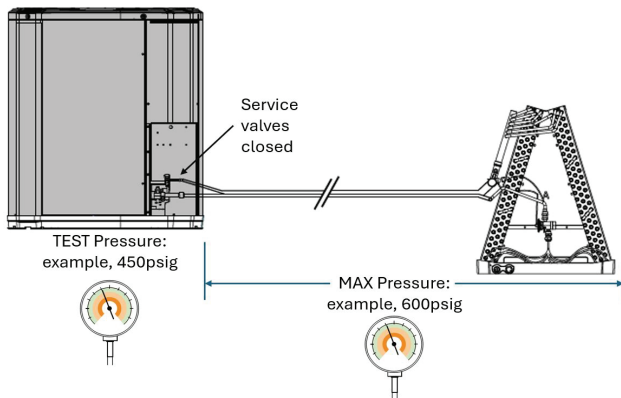
1. Final Pressure Check:

Isolate the outdoor unit from the evaporator coil and linesets using the service valves. Pressurize the evaporator coil and linesets to the max pressure specified on the outdoor or indoor unit nameplate for a minimum of 60 minutes. Do not add additional refrigerant or test gas after reaching the evaporator coil specified pressure. The system should show no loss of pressure once pressurized. Once the pressure test is complete follow the steps for evacuation.

2. Preliminary Pressure Check (*Optional):

Pressurize the refrigerant lines and evaporator coil to 150 psig using dry nitrogen. Check for leaks by using a soapy solution or bubbles at each brazed location. Remove pressure and repair any leaks before continuing.

Figure 18. Refrigerant line leak check



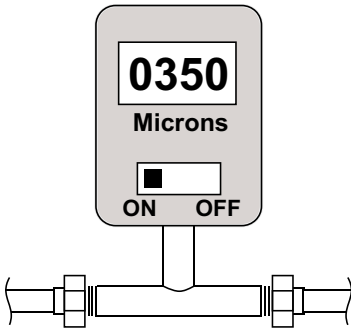
Evacuation and Servicing

Evacuate the Refrigerant Lines and Indoor Coil

Important: Do not open the service valves until the refrigerant lines and indoor coil leak check and evacuation are complete.

1. Evacuate until the micron gauge reads no higher than 350 microns, then close off the valve to the vacuum pump.

Figure 19. Observe micron gauge reading



2. Observe the micron gauge. Evacuation is complete, if the micron gauge does not rise above 500 microns in 1 minute and 1500 microns in 10 minutes.

Figure 20. Stop watch



3. Once evacuation is complete, blank off the vacuum pump and micron gauge, and close the valve on the manifold gauge set.

Servicing

- If repairs must be made after system is charged, properly and safely remove or isolate refrigerant and purge the section of the system needing repair with nitrogen gas or oxygen-free nitrogen prior to opening the circuit.
- The Refrigerant charge shall be recovered into the correctly marked recovery cylinders.

- Ensure that the outlet for the vacuum pump is not close to any potential ignition sources and the ventilation is available.
- Prior to recharging the system, it shall be pressure-tested with the appropriate purging gas. The system shall be leak-tested on completion of charging but prior to commissioning. A follow up leak test shall be carried out prior to leaving the site.
- Ensure that only appropriate refrigerant recovery cylinders are employed. Ensure that the correct number of cylinders for holding the total system charge is available. Only use cylinders designated for the recovered refrigerant and labelled for the refrigerant. Cylinders shall be complete with pressure-relief valve and associated shut-off valves in good working order.
- A set of calibrated weighing scales shall be available and in good working order. Hoses shall be complete with leak-free disconnect couplings and in good condition. Ensure any associated electrical components are sealed.
- The recovered refrigerant shall be returned to the refrigerant supplier in the correct recovery cylinder. Do not mix refrigerants.
- If compressors or compressor oils are to be removed, ensure that they have been evacuated to an acceptable level to make certain that A2L refrigerant does not remain within the lubricant.

Service Valves

Open the Gas Service Valve First

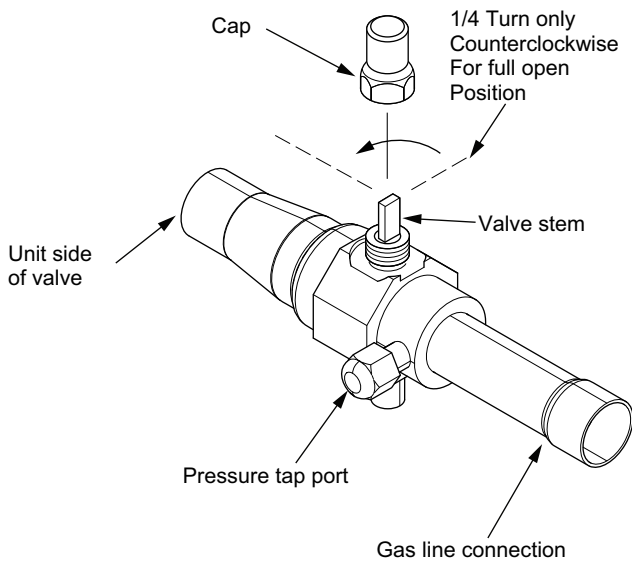
Important: Leak check and evacuation must be completed before opening the service valves.

Note: Do not vent refrigerant gases into the atmosphere.

1. Remove valve stem cap.
2. Using an adjustable wrench, turn valve stem 1/4 turn counterclockwise to the fully open position.
3. Replace the valve stem cap to prevent leaks. Tighten finger tight plus an additional 1/6 turn.

Note: Service valves may be ball or angle style.

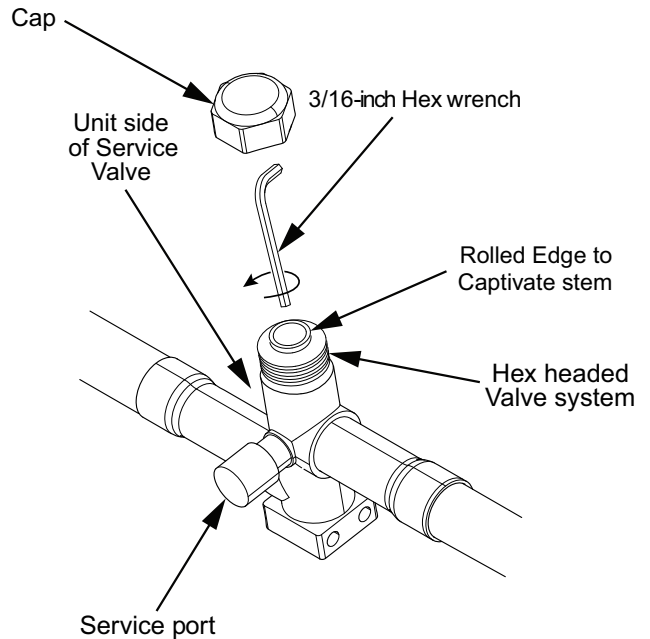
Figure 21. Gas service valve



Important: Leak check and evacuation must be completed before opening the service valves.

1. Remove service valve cap.
2. Fully insert 3/16-inch hex wrench into the stem and back out counterclockwise until valve stem just touches the rolled edge (approximately five (5) turns).
3. Replace the valve cap to prevent leaks. Tighten finger tight plus an additional 1/6 turn.

Figure 22. Liquid service valve



Open the Liquid Service Valve Second

⚠ WARNING

System Charge!

Failure to follow instructions below could result in abrupt release of system charge and could result in serious injury or property damage.

When opening the suction and liquid line service valve, turn the valve stem counterclockwise only until the stem contacts the rolled edge. Do not apply torque.

Electrical

Low Voltage

Low Voltage Maximum Wire Length

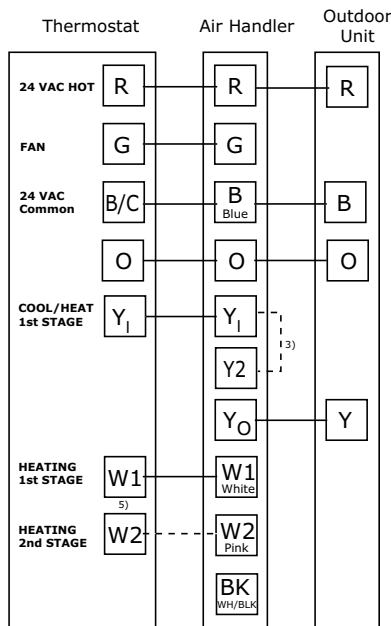
The following table defines the maximum total length of low voltage wiring from the outdoor unit, to the indoor unit, and to the thermostat.

Table 5. Low voltage maximum wire length

| 24 Volts | |
|-----------|------------------------|
| Wire Size | Max. Wire Length (ft.) |
| 18 AWG | 150 |
| 16 AWG | 225 |
| 14 AWG | 300 |

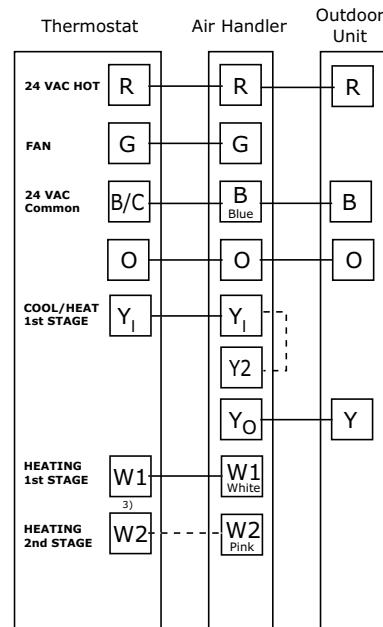
Low Voltage Connection Diagrams

Figure 23. Single-stage, HP, A5AH6



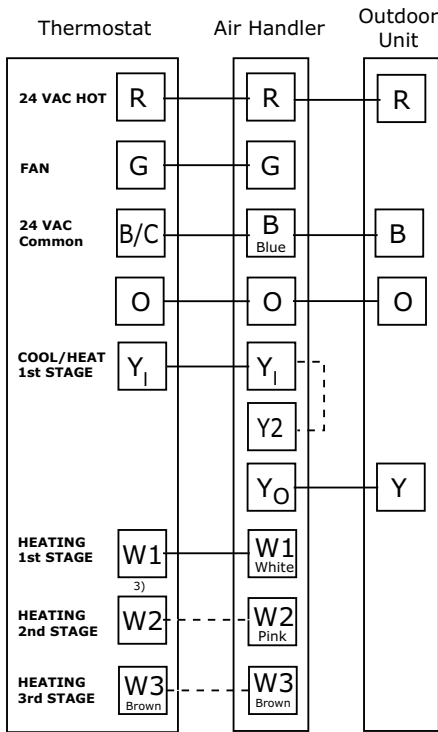
1. Units with pigtails require wirenuts for connections.
2. Cap all unused wires.
3. When BK is used, do not connect Y2 at the air handler.
4. When BK is used, cut the jumper between R and BK on the control board. See indoor wiring schematic for details.
5. In AC systems, for multiple stages of electric heat, jumper W1 and W2 together if comfort control has only one stage of heat.

Figure 24. Single-stage, HP, A5AH4



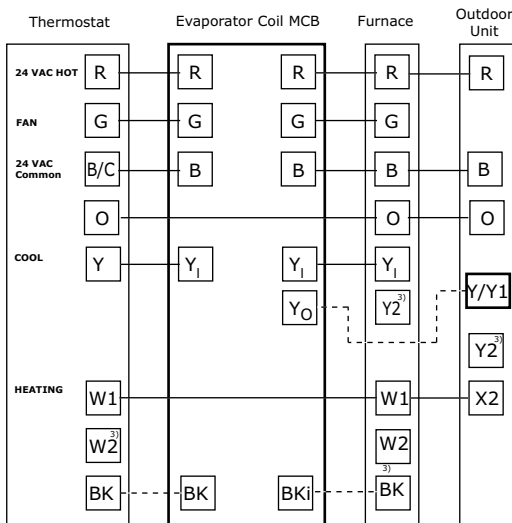
1. Units with pigtails require wirenuts for connections.
2. Cap all unused wires.
3. In AC systems for multiple stages of electric heat, jumper W1 and W2 together if comfort control has only one stage of heat.

Figure 25. Single stage, AC with 5TAM5



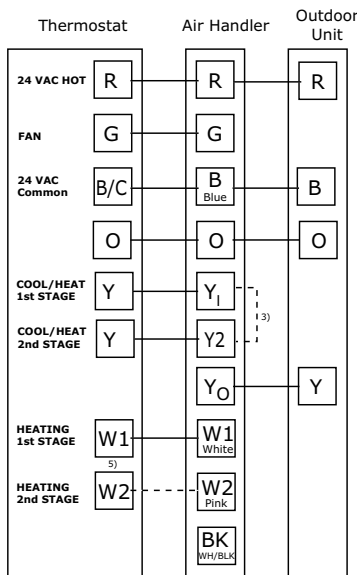
1. Units with pigtails require wirenuts for connections.
2. Cap all unused wires.
3. In AC systems for multiple stages of electric heat, jumper W1 and W2 together if comfort control has only one stage of heat.

Figure 26. AC or heat pump, typical (with furnace)



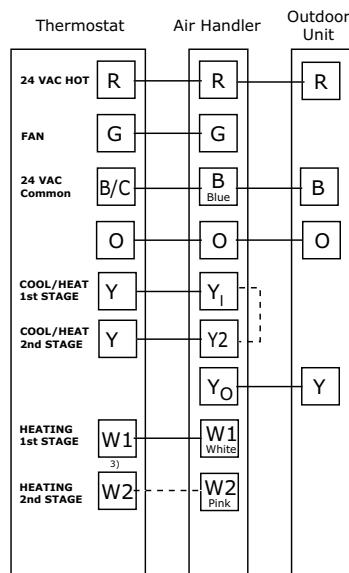
1. Units with pigtails require wirenuts for connections. Cap all unused wires.
2. For 24V control, connect factory supplied harness to circuit board at evaporator. Complete all other wiring connections at the furnace.
3. For 2 stage systems, connect W2 to W2 and Y2 to Y2.

Figure 27. Single-stage, HP, A5AH6



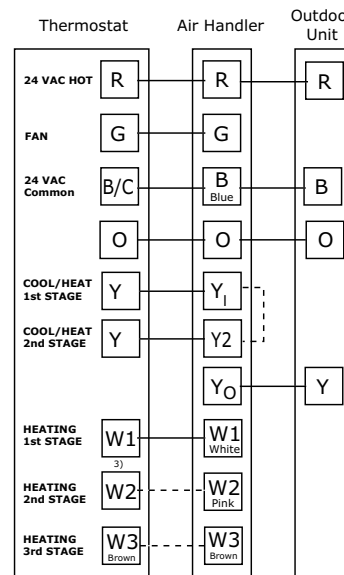
1. Units with pigtails require wirenuts for connections.
2. Cap all unused wires.
3. When BK is used, do not connect Y2 at the air handler.
4. When BK is used, cut the jumper between R and BK on the control board. See indoor wiring schematic for details.
5. In AC systems, for multiple stages of electric heat, jumper W1 and W2 together if comfort control has only one stage of heat.

Figure 28. Single-stage, HP, A5AH4



1. Units with pigtails require wirenuts for connections.
2. Cap all unused wires.
3. In AC systems for multiple stages of electric heat, jumper W1 and W2 together if comfort control has only one stage of heat.

Figure 29. Single-stage, HP, 5TAM5



1. Units with pigtails require wirenuts for connections.
2. Cap all unused wires.
3. In AC systems, for multiple stages of electric heat, jumper W1 and W2 together if comfort control has only one stage of heat.

Mitigation Board Guidelines

- The approved ID/OD combination will provide sufficient safe ventilation in case of a leak.
- Refer to Indoor Unit Installer's Guide for correct specifications on indoor unit install.
- All systems require mitigation boards so an altitude adjustment factor may be required.
- Mitigation Control Board needs to be included in an A2L System.

Defrost Control - All Models Except 036

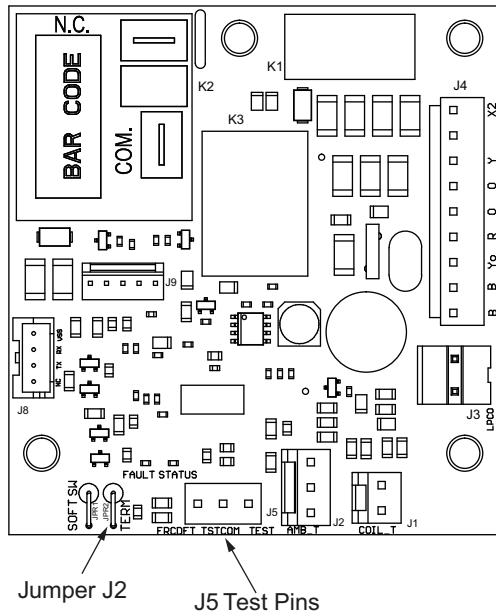
Defrost controls have a selectable termination temperature. As shipped, defrost will terminate at 47°F. For a higher termination temperature, cut Jumper J2 to achieve 70°F. See Service Facts shipped in the outdoor unit for more information.

Pin Identification on J5

See the below illustration.

1. TEST_COMMON (Shorting to FRC_DFT causes the control to initiate Forced Defrost. Leaving this pin open results in the normal mode of operation.)
2. FRC_DFT = Forced Defrost (Short TEST_COMMON to this pin for two (2) seconds to initiate a forced defrost. Remove the short after defrost initiates.)

Figure 30. Defrost board detail



- LED on board flashing 1 time/second.
- 24V AC between R and B.
- 24V AC between Y and B with unit operating.
- Defrost initiation when FRC_DFT pin is shorted to TEST_COMMON pin.

If a defrost control problem is suspected, refer to the service information in control box.

Table 6. Defrost termination temperatures

| | Outdoor Temperature | Termination Temperature |
|--------------|---------------------|------------------------------|
| As Shipped | >22°F | 47°F |
| — | 10°F to 22°F | ODT + 25°F |
| — | 6°F to 10°F | 35°F |
| Cut Jumper 2 | >30°F | 47°F |
| — | 6°F to 30°F | 70°F |
| All | < 6°F | 12 min. or 35°F every 3 hrs. |

Defrost Control Checkout

Normal operation requires:

- Status LED on board flashing 1 time/second in standby or 2 times/second with a call for heating or cooling.
- 24V AC between R and B.
- 24V AC between Y, Y0 and B with unit operating.
- Defrost initiation when FRC_DFT pin is shorted to TEST_COMMON pin.

If a defrost control problem is suspected, refer to the service information in control box.

Defrost Control - 036 Model Only

Pin Identification

Defrost controls have a selectable termination temperature. As shipped, defrost will terminate at 47°F. For a higher termination temperature, cut Jumper J2 to achieve 70°F when at or below 30°F ambient. See Service Facts shipped in the outdoor unit for more information.

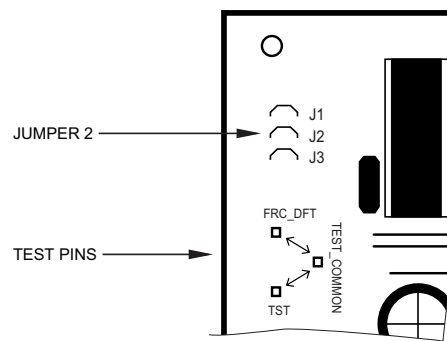
See the [Figure 31, p. 20](#)

1. TEST_COMMON (Shorting any of the other pins to this pin causes the function of the other pin to be executed. Leaving this pin open results in the normal mode of operation.)
2. TST = Test (Shorting TEST_COMMON to this pin speeds up all defrost board timings.)
3. FRC_DFT = Forced Defrost (Short TEST_COMMON to this pin for two (2) seconds to initiate a forced defrost. Remove the short after defrost initiates.)

Defrost Control Checkout

Normal operation requires:

Figure 31. Defrost board detail



High Voltage

High Voltage Power Supply

⚠ WARNING

Live Electrical Components!

Failure to follow all electrical safety precautions when exposed to live electrical components could result in death or serious injury.

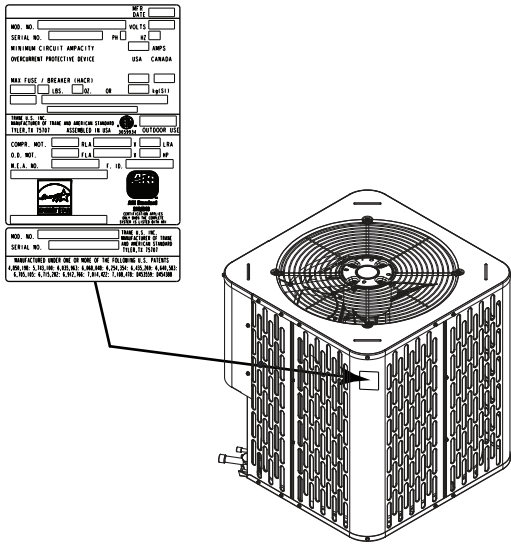
When it is necessary to work with live electrical components, have a qualified licensed electrician or other individual who has been properly trained in handling live electrical components perform these tasks.

The high voltage power supply must agree with the equipment nameplate.

Power wiring must comply with national, state, and local codes.

Follow instructions on unit wiring diagram located on the inside of the control box cover and in the Installation, Operation, and Maintenance (IOM) document included with the unit.

Figure 32. Nameplate location



High Voltage Disconnect Switch

Install a separate disconnect switch at the outdoor unit.

For high voltage connections, flexible electrical conduct is recommended whenever vibration transmission may create a noise problem within the structure.

High Voltage Ground

Ground the outdoor unit per National, State, and Local code requirements.

⚠ WARNING

Safety Hazard!

Failure to follow instructions below could result in death or serious injury, and property damage. Confirm the cabling is protected from wear and tear, corrosion, excessive pressure, vibration, sharp edges, and any other adverse environmental effects.

System Start-Up

1. Confirm that chapters Refrigerant Line Brazing through Electrical – High Voltage have been completed.
2. Turn on disconnect(s) to apply power to the indoor and outdoor units.
3. Wait one (1) hour before starting the unit if compressor crankcase heater accessory is used and the outdoor ambient is below 70°F.
4. Set system mode to COOL, and call for capacity (if conditions are correct for cooling).

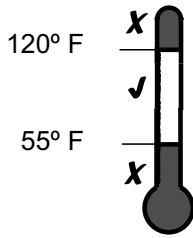
System Charge Adjustment

Temperature Measurements

Check the outdoor temperatures.

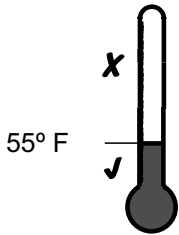
Subcooling (in cooling mode) is the only recommended method of charging above 55° F ambient outdoor temperature. See “Subcooling Charging in Cooling (Above 55° F Outdoor Temp.),” p. 23 for outdoor temperatures above 55° F.

Figure 33. Outdoor temperature



For outdoor temperatures below 55° F, see “Subcooling Charging in Cooling (Above 55° F Outdoor Temp.),” p. 23

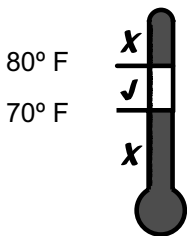
Figure 34. Outdoor temp 2



Note: It is important to return in the spring or summer to accurately charge the system in the cooling mode when outdoor ambient temperature is above 55° F.

For best results the indoor temperature should be kept between 70° F to 80° F.

Figure 35. Indoor temp



Note: Subcooling specifications other than OD nameplate.

Table 7. Subcooling specifications - models A5HP5024 and A5HP5030

| OD Model | ID Model (including coil-furnace combinations) | Subcooling |
|----------|------------------------------------------------|------------|
| A5HP5024 | 5TXCA002, 5TXCB003, 5TXCB004 | 9° F |
| A5HP5030 | 5TXCA002, 5TXCB003, 5TXCB004 | 9° F |

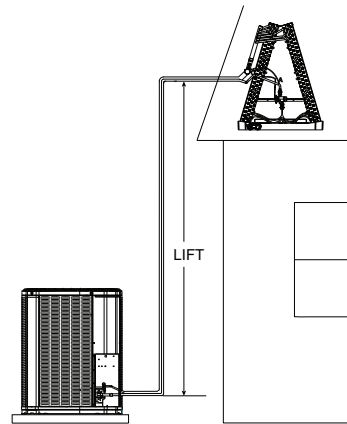
Subcooling Charging in Cooling (Above 55° F Outdoor Temp.)

1. Determine the refrigerant line total length and lift.

Total Line Length = _____ Ft.

Vertical Change (Lift) = _____ Ft.

Figure 36. Refrigerant line total length and lift



2. Determine the final subcooling value using total line length and lift measured in Step 1 and the tables below.

Table 8. Subcool charging corrections table (for line length and rise) - models 018, 024A, and 030A

| 018A, 024A, 030A | | | |
|------------------|-------------|-------------|------|
| Vapor Line | Liquid Line | Liquid Line | Lift |
| 5/8 | 5/16 | 125 | 50 |
| 3/4 | 5/16 | 100 | 50 |
| 5/8 | 3/8 | 150 | 50 |
| 3/4 | 3/8 | 100 | 50 |
| Note: | | | |
| Ratings/Primary | | | |
| Legacy Lineset | | | |

System Charge Adjustment

Table 9. Subcool charging corrections table (for line length and rise) - model 036A

| 036A | | | |
|-----------------|-------------|-------------|------|
| Vapor Line | Liquid Line | Liquid Line | Lift |
| 5/8 | 5/16 | 150 | 50 |
| 3/4 | 5/16 | 125 | 50 |
| 5/8 | 3/8 | 150 | 50 |
| 3/4 | 3/8 | 125 | 50 |
| Note: | | | |
| Ratings/Primary | | | |
| Legacy Lineset | | | |

Table 10. Subcool charging corrections table (for line length and rise) - model 042A

| 042A | | | |
|-----------------|-------------|-------------|------|
| Vapor Line | Liquid Line | Liquid Line | Lift |
| 3/4 | 5/16 | 125 | 50 |
| 7/8 | 5/16 | 125 | 50 |
| 3/4 | 3/8 | 125 | 50 |
| 7/8 | 3/8 | 125 | 50 |
| Note: | | | |
| Ratings/Primary | | | |
| Legacy Lineset | | | |

Table 11. Subcool charging corrections table (for line length and rise) - model 048A

| 048A | | | |
|-----------------|-------------|-------------|------|
| Vapor Line | Liquid Line | Liquid Line | Lift |
| 3/4 | 5/16 | 125 | 50 |
| 7/8 | 5/16 | 125 | 50 |
| 3/4 | 3/8 | 150 | 50 |
| 7/8 | 3/8 | 125 | 50 |
| Note: | | | |
| Ratings/Primary | | | |
| Legacy Lineset | | | |

Table 12. Subcool charging corrections table (for line length and rise) - model 060A

| 060A | | | |
|------------|-------------|-------------|------|
| Vapor Line | Liquid Line | Liquid Line | Lift |
| 3/4 | 5/16 | 125 | 50 |
| 7/8 | 5/16 | 125 | 50 |
| 3/4 | 3/8 | 150 | 50 |

Table 12. Subcool charging corrections table (for line length and rise) - model 060A (continued)

| 060A | | | |
|-----------------|-------------|-------------|------|
| Vapor Line | Liquid Line | Liquid Line | Lift |
| 7/8 | 3/8 | 125 | 50 |
| Note: | | | |
| Ratings/Primary | | | |
| Legacy Lineset | | | |

Table 13. R-454B refrigerant charging chart

| Liquid Temp (°F) | Design Subcooling (°F) | | | | | | |
|------------------|-----------------------------|-----|-----|-----|-----|-----|-----|
| | 8 | 9 | 10 | 11 | 12 | 13 | 14 |
| | Liquid Gauge Pressure (PSI) | | | | | | |
| 55 | 170 | 172 | 175 | 178 | 181 | 184 | 187 |
| 60 | 184 | 187 | 190 | 194 | 197 | 200 | 203 |
| 65 | 200 | 203 | 206 | 210 | 213 | 217 | 220 |
| 70 | 217 | 220 | 223 | 227 | 230 | 234 | 238 |
| 75 | 234 | 238 | 241 | 245 | 249 | 252 | 256 |
| 80 | 252 | 256 | 260 | 264 | 268 | 272 | 276 |
| 85 | 272 | 276 | 280 | 284 | 288 | 292 | 297 |
| 90 | 292 | 297 | 301 | 305 | 309 | 314 | 318 |
| 95 | 314 | 318 | 323 | 327 | 332 | 336 | 341 |
| 100 | 336 | 341 | 346 | 351 | 355 | 360 | 365 |
| 105 | 360 | 365 | 370 | 375 | 380 | 385 | 390 |
| 110 | 385 | 390 | 396 | 401 | 406 | 412 | 417 |
| 115 | 412 | 417 | 422 | 428 | 433 | 439 | 445 |
| 120 | 439 | 445 | 450 | 456 | 462 | 468 | 474 |
| 125 | 468 | 474 | 480 | 486 | 492 | 498 | 504 |

Figure 37. Subcool charging chart - models 018A, 024A, 030A, and 036A

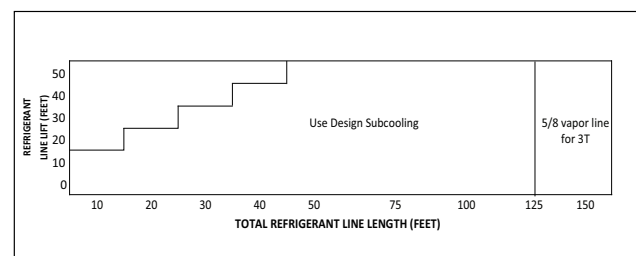


Figure 38. Subcool charging chart - model 042A

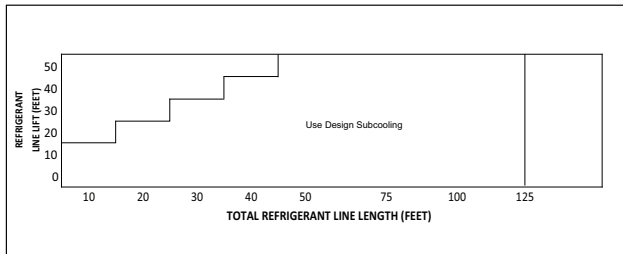
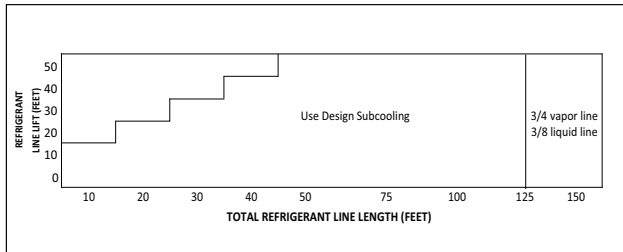


Figure 39. Subcool charging chart - models 048A and 060A



Design Subcooling Value = _____ ° F

(from nameplate or Service Facts)

Subcooling Correction = _____ ° F

Final Subcooling Value = _____ ° F

Charging the Unit

1. Attain proper gauge pressure.

Using the standard R-454B subcool charging chart, adjust refrigerant level to attain proper gauge pressure.

Note: Use bubble point, per the included chart, for calculating subcooling.

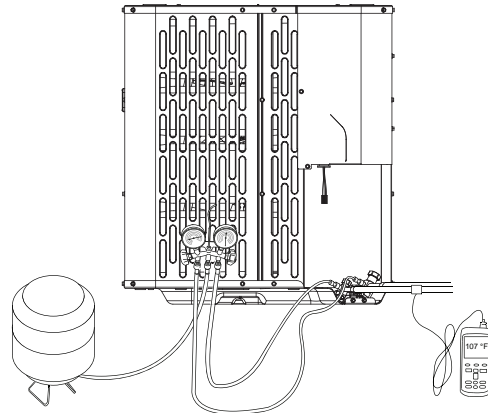
Add refrigerant in the liquid gauge pressure is lower than the chart value.

- a. Connect gauges to refrigerant bottle and unit are illustrated.
- b. Purge all hoses.
- c. Place refrigerant bottle on a scale and then open bottle.
- d. Stop adding refrigerant when liquid line refrigerant and liquid gauge pressure match the charging chart.

Notes:

1. Recover refrigerant if the liquid gauge pressure is higher than the chart value.
2. Verify that contamination of different refrigerants does not occur when using charging equipment. Cylinders shall be kept in an appropriate position according to the instructions. Verify that the refrigeration system is earthed prior to charging the system with refrigerant.

Figure 40. Charging the unit



2. Stabilize the system.
 - a. Wait 20 minutes for the system condition to stabilize between adjustments.

Note: When the liquid line temperature and gauge pressure approximately match the chart, the system is properly charged.
 - b. Remove gauges.
 - c. Replace service port caps to prevent leaks. Tighten finger tight plus an additional 1/6 turn.

Figure 41. Stop watch



3. Record system information for reference. Record system pressures and temperatures after charging is complete.

Outdoor model number = _____

Measured Outdoor Ambient = _____ ° F

Measured Indoor Ambient = _____ ° F

Measured Liquid Line Temp = _____ ° F

Measured Suction Line Temp = _____ ° F

Liquid Gauge Pressure = _____ PSI

Suction Gauge Pressure = _____ PSI
4. Complete the 'Total System Charge' charge rating label below and label located on the outside of the unit with a permanent marker.

System Charge Adjustment

- Charge added at Factory = _____ lb/oz
- Charge added at install = _____ lb/oz
- Total System Charge (a + b) = _____ lb/oz

Subcooling Charging Below 55° F Outdoor Temp. (In Heating Only)

The subcooling charging method in cooling is not recommended below 55° F outdoor temperature.

The recommended method of charging at outdoor temperatures below 55° F is weighing in the charge. Return when weather conditions permit charge verification through subcooling.

- Determine additional charge.

Note: The nameplate charge value represents the amount of refrigerant shipped in the outdoor unit and is compatible with 10 feet of AHRI rated refrigerant lines and the smallest AHRI rated coil.

Using the method below, find the charge associated with the additional length of tubing above 10 ft. and record it below.

Weigh-In Method can be used for the initial installation, or anytime a system charge is being replaced. Weigh-In Method can also be used when power is not available to the equipment site or operating conditions (indoor/outdoor temperatures) are not in range to verify with the subcooling charging method.

Calculating Charge Using the Weigh-In Method

- Measure in feet the distance between the outdoor unit and the indoor unit and record on Line 1. Include the entire length of the line from the service valve to the IDU (minus 10 ft).
Line length (ft) = _____
- Enter the charge multiplier.
Charge multiplier = for 3/8-inch, use 0.47 oz. per foot and for 5/16-inch, use 0.30 oz. per foot
- Multiply the total length of refrigerant tubing (Line 1) times the value on [Step 1b](#).
Record the result on Line 3 of the Worksheet.
Step a x Step b = _____
- This is the amount of refrigerant to weigh-in prior to opening the service valves.

Refrigerant = _____

- Stabilize the system by operating for a minimum of 20 minutes.

At startup, or whenever charge is removed or added, the system must be operated for a minimum of 20 minutes to stabilize before accurate measurements can be made.

Figure 42. Stop watch



- Check the liquid line temperature and liquid gauge pressure to obtain a minimum of 10° subcooling in heating mode.
Measured Liquid Line Temp = _____ ° F
Liquid Gauge Pressure = _____ PSIG
- Add charge if a minimum of 10° subcooling is not obtained with the nameplate charge plus additional charge previously added.
- Complete the 'Total System Charge' chart rating label below and label located on the outside of the unit with a permanent marker.

Note: Complete the 'Total System Charge' chart when final charging is complete.

- Charge added at Factory = _____ lb/oz
 - Charge added at install = _____ lb/oz
 - Total System Charge (a + b) = _____ lb/oz
- Return to site for adjustment.

Important: Return in the spring or summer to accurately charge the system in the cooling mode with outdoor ambient above 55° F.

Checkout Procedures

Operational And Checkout Procedures

Final phases of this installation are the unit Operational and Checkout Procedures. To obtain proper performance, all units must be operated and charge adjustments made.

Important: *Perform a final unit inspection to be sure that factory tubing has not shifted during shipment. Adjust tubing if necessary so tubes do not rub against each other when the unit runs. Also be sure that wiring connections are tight and properly secured.*

After installation has been completed, it is recommended that the entire system be checked against the following list:

- Leak check refrigerant lines.
- Properly insulate suction lines and fittings.
- Properly secure and isolate all refrigerant lines.
- Seal passages through masonry. If mortar is used, prevent mortar from coming into direct contact with copper tubing.
- Verify that all electrical connections are tight.
- Observe outdoor fan during on cycle for clearance and smooth operation.
- Be sure that indoor coil drain line drains freely. Pour water into drain pan.
- Be sure that supply registers and return grilles are open and unobstructed.
- Be sure that a return air filter is installed.
- Be sure that the correct airflow setting is used. (Indoor blower motor).
- Operate complete system in each mode to ensure safe operation.
- Check the MCB or RDS is operational.

Defrost Control

Defrost Control

The demand defrost control measures heat pump outdoor ambient temperature with a sensor located outside the outdoor coil. A second sensor located on the outdoor coil is used to measure the coil temperature. The difference between the ambient and the colder coil temperature is the difference or delta-T measurement. This delta-T measurement is representative of the operating state and relative capacity of the heat pump system. Measuring the change in delta-T determines the need for defrost. The coil sensor also serves to sense outdoor coil temperature for termination of the defrost cycle.

Defrost controls have a selectable termination temperature. As shipped, defrost will terminate at 47°F. For a higher termination temperature, cut **Jumper J2** to achieve 70°F. See Service Facts shipped in the outdoor unit for more information.

Fault Detection

A fault condition is indicated by the flashing fault LED light on the defrost control board located inside the heat pump control box.

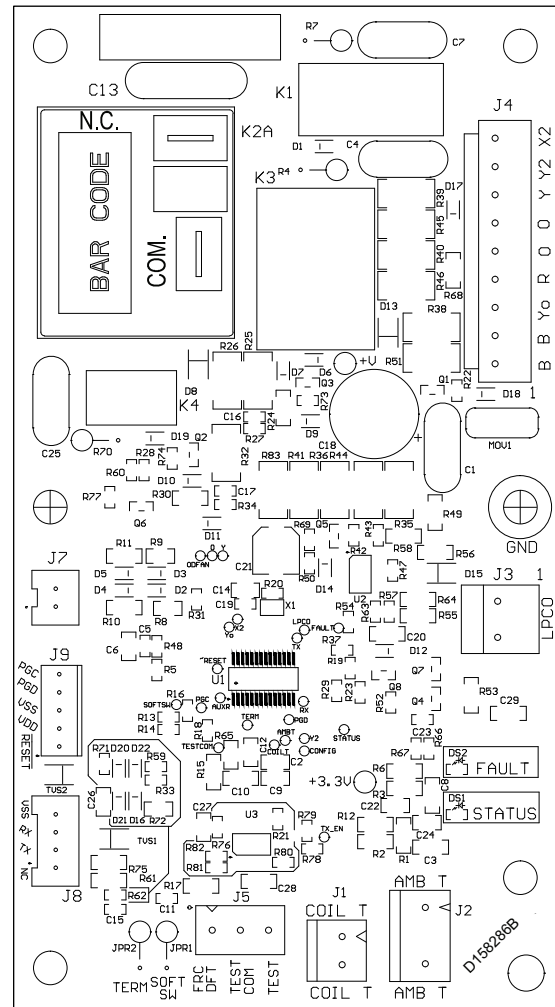
In normal operation, the status LED will flash once each second when idle or twice each second with a call for heating or cooling.

Pin Identification on J5

See [Figure 43](#), p. 28.

1. TEST_COMMON (Shorting to FRC_DFT causes the control to initiate forced defrost. Leaving this pin open results in the normal mode of operation.)
2. FRC_DFT = Forced defrost (Short TEST_COMMON to this pin for 2 seconds to initiate a forced defrost. Remove the short after defrost initiates.)

Figure 43. Defrost control board



Defrost Control Checkout

Normal operation requires:

1. Status LED on board flashing 1 time/second in stand by or 2 times/second with a call for heating or cooling.
2. 24V AC between R and B.
3. 24V AC between Y, Y0, and B with unit operating.
4. Defrost initiation when FRC_DFT pin is shorted to TEST_COMMON pin.

Test Sensors

Measure the temperature the subject sensor is exposed to. If the sensor is mounted on a tube, place the lead on an Annie A-8 (or equiv.) temperature tester on the same tube near the sensor and insulate the bulb.

Unplug the sensor and measure the resistance with a good quality ohmmeter (Simpson 260 or equiv.). Read the value

as quickly as possible to prevent the meter current from changing the resistance reading.

Using the chart, locate (as close as possible) the actual sensor temperature. The measured resistance should be relatively close to the resistance value shown in the chart.

Table 14. Defrost control thermistor

| Temp °F | Temp °C | Thermistor Resistance (ohms) | Volts DC |
|---------|---------|------------------------------|----------|
| -15.00 | -26.11 | 135976 | 2.50 |
| -10.00 | -23.33 | 115112 | 2.40 |
| -5.00 | -20.56 | 97745 | 2.29 |
| 0.00 | -17.78 | 83247 | 2.17 |
| 5.00 | -15.00 | 71108 | 2.05 |
| 10.00 | -12.22 | 60916 | 1.93 |
| 15.00 | -9.44 | 52333 | 1.81 |
| 20.00 | -6.67 | 45076 | 1.69 |
| 25.00 | -3.89 | 38927 | 1.56 |
| 30.00 | -1.11 | 33703 | 1.45 |
| 35.00 | 1.67 | 29253 | 1.33 |
| 40.00 | 4.44 | 25452 | 1.22 |
| 45.00 | 7.22 | 22198 | 1.12 |
| 50.00 | 10.00 | 19405 | 1.02 |
| 55.00 | 12.78 | 17002 | 0.93 |
| 60.00 | 15.56 | 14930 | 0.85 |
| 65.00 | 18.33 | 13138 | 0.77 |
| 70.00 | 21.11 | 11586 | 0.70 |
| 75.00 | 23.89 | 10238 | 0.63 |
| 80.00 | 26.67 | 9065 | 0.57 |
| 85.00 | 29.44 | 8043 | 0.52 |
| 90.00 | 32.22 | 7150 | 0.47 |
| 95.00 | 35.00 | 6368 | 0.42 |
| 100.00 | 37.78 | 5682 | 0.38 |
| 105.00 | 40.56 | 5079 | 0.35 |
| 110.00 | 43.33 | 4548 | 0.31 |
| 115.00 | 46.11 | 4079 | 0.28 |
| 120.00 | 48.89 | 3665 | 0.26 |
| 125.00 | 51.67 | 3298 | 0.23 |
| 130.00 | 54.44 | 2972 | 0.21 |
| 135.00 | 57.22 | 2683 | 0.19 |

Example:

Sensor temp. = 19°F

Measured Resistance = 46K ohms

This sensor is good since the measured value is relatively close to the chart value.

Table 15. Demand defrost quick specs

| Compressor | Scroll | Scroll |
|-----------------------------------|------------|------------|
| Mnemonic no CNT | CNT08177 | CNT08176 |
| Group nomenclature ^(a) | D161244G01 | D161246G02 |
| Supersedure CNT | 07824 | 07825 |
| Od fan type – PSC/ECM | PSC | ECM |
| | 1-SPD | 1-SPD |

Table 15. Demand defrost quick specs (continued)

| Compressor | Scroll | Scroll |
|------------------------------------------------------|-----------------------|--------|
| Defrost enabled: Y = on coil temperature | ≤52 °F ^(b) | ≤52 °F |
| Defrost permit: Y = on coil temperature | ≤32 °F | ≤32 °F |
| Min defrost time (minutes) | 1 | 1 |
| Target defrost time (minutes) | 4 | 4 |
| Max time override (minutes +) | 15 | 15 |
| Defrost terminate coil temperature (factory setting) | 47°F | 47°F |
| Defrost hi terminate coil temperature (cut jumper 2) | 70° F | 70° F |
| Sov switch over delay after defrost term. (seconds) | 12 | 12 |
| Defeat switch over delay (seconds) (cut jumper 1) | 0 | 0 |
| Low ambient heat pump lock out | -12°F | -12°F |
| Low ambient heat pump resume | -3 | -3 |
| LPCO input to control | Yes | Yes |
| LPCO bypass in/ out defrost (minutes) | 3 | 3 |

^(a) Group suffix for drawing number D.

^(b) ≤ (Equal or less than).

Table 16. LED fault codes

| LED Fault Codes | Fault Description | Defrost Control Behavior |
|-----------------|-------------------------------------------------------------------------------------------|---------------------------------------------------------------------------------------------------------------------------------------|
| 1 Flash | Ambient temp sensor is out of range (open/shorted) | Initiate defrost after every 60 minutes of runtime. Defrost will terminate on coil temp. See Note 1 and 2. |
| 2 Flash | Coil temp sensor is out of range (open/shorted) | Initiate a 15 minute forced defrost after every 60 minutes of runtime. See Note 1 and 2. |
| 3 Flash | Low pressure switch is open | 3 flash goes away when/if LPCO closes. |
| 4 Flash | Hard lock out (can only be cleared with a low voltage power cycle) | Occurs after 9th trip of LPCO. See Note 6. |
| 5 Flash | Soft lock out | 5 flash goes away after soft lockout period expires. See Note 2. |
| 6 Flash | Defrost cycles too close together | Heating short cycle fault triggers 6 flash. The system will follow 10 adaptive time heating cycles and then return to demand defrost. |
| 7 Flash | Low ambient soft lockout. Outdoor temperature dropped below 3°F. (OFF at -12°F/ON at 3°F) | Outdoor temperature is below 12°F. See Note 5. |

Defrost Control

1. Initiate adaptive/timed limp mode so long as coil temp sensor is functional. Monitor actual time in defrost and add or reduce run time until next forced defrost based on achieving a 4 minute (+/-1) defrost period.
2. This defrost control utilizes a safety strategy called Adaptive Limp Mode. Adaptive Limp Mode is defined as a timed heating mode following rapid defrosts (accumulated heating times between defrost totaling less than 15 minutes). Once invoked the DFC will limit defrost periods and maximize heating capacity. While in adaptive limp mode the DFC will monitor heating and defrost periods for no longer than 10 cycles. The DFC will then release the board to demand defrost; however, if the LPCO trips while in limp mode the system will initiate a soft lockout and exit limp mode.

If both coil temp sensor and ambient temp sensor have failed, initiate a 5 minute forced defrost every 60 minutes of run time. This in conjunction with the normal low pressure trip, will initiate a soft lockout.

- a. A short heating cycle that enters defrost in 15 minutes or less and/or enters two more defrosts with less than 15 minutes of accumulative run time each will enter an Adaptive Limp Mode (6 flash).
 - b. Coil sensor failure will initiate a timed limp mode. This will be accompanied by a 2 flash. The DFC will initiate defrost after 60 minutes of accumulated heating runtime and terminate after a 5 minute defrost. The limp mode will clear after the sensor fault is cleared.
 - c. Ambient sensor failure will initiate an adaptive timed limp mode. This will be accompanied by a 1 flash. The DFC will initiate defrost after 60 minutes of accumulated heating runtime and force a defrost, which will terminate on coil temp. The limp mode will clear after the sensor fault is cleared.
 - d. This could be caused by a condenser fan motor failure, low charge or other reasons.
3. The first 15 minute soft lockout the system will return to normal operation. Should this continue to operate in this manner there will be a 30 minute soft lockout and so on. At the end of the lockout process, if a hard lock is necessary, a 4 flash will be announced and system operation is interrupted. If the ambient temperature

climbs above 40°F for more than 30 minutes this clears this fault count and resumes normal operation.

- a. If or when normal operation is restored after the ambient temperature climbs above 40°F for more than 30 minutes and another LP trip is monitored on the 9th trip this will initiate a hard lockout that will not be cleared by temperature or time.
4. Once ambient drops to -12 or lower wait 5 minutes before soft lockout begins. During soft lockout the Y signal passes through to the X2 output. Resume operation when ambient temperature rises to -3°F or higher and after 5 minute soft lockout period expires. LPCO should reset around 5°F.
 5. During a hard lockout, the X2 relay opens so that the Y signal does not pass through.

Table 17. LPCO lock-out periods and flash codes

| LPCO | Heating Mode | Flash Code |
|-----------------------------------------|---------------------------------|---------------|
| 1 st Trip | 15 minute soft lock-out period | 5 and 6 flash |
| 2 nd Trip | 30 minute soft lock-out period | 5 and 6 flash |
| 3 rd Trip | 45 minutes soft lock-out period | 5 and 6 flash |
| 4 th to 8 th Trip | 18 hour soft lock-out period | 5 and 6 flash |
| 9 th Trip (a) | Hard lock-out | 4 flash |

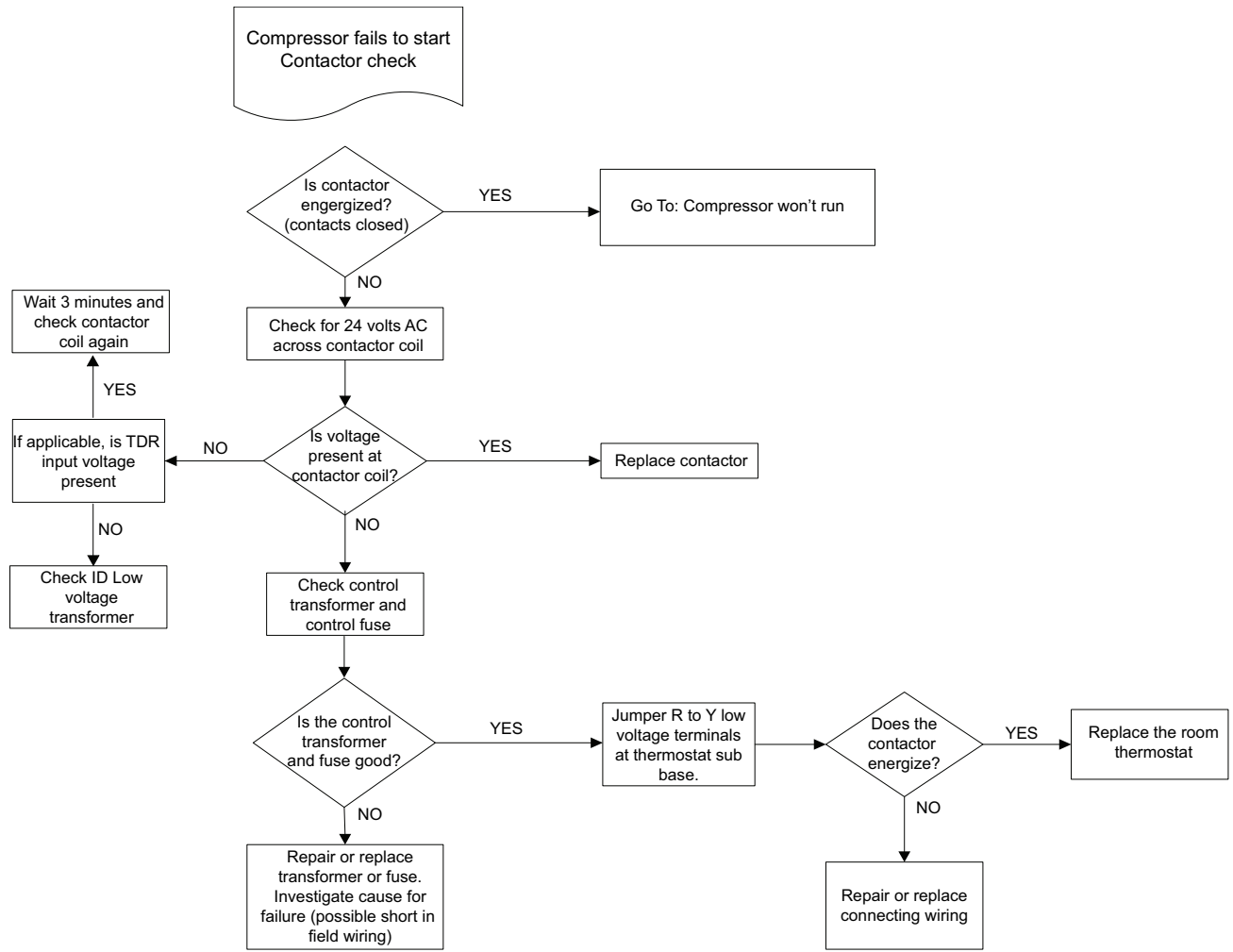
(a) If LPCO is open, a 3 flash can accommodate any of the faults above and will clear when the LPCO closes.

Table 18. LPCO lock-out periods and flash codes

| LPCO | Heating Mode | Flash Code |
|-----------------------------------------|---------------------------------|---------------|
| 1 st Trip | 15 minute soft lock-out period | 5 and 6 flash |
| 2 nd Trip | 30 minute soft lock-out period | 5 and 6 flash |
| 3 rd Trip | 45 minutes soft lock-out period | 5 and 6 flash |
| 4 th to 8 th Trip | 18 hour soft lock-out period | 5 and 6 flash |
| 9 th Trip (a) | Hard lock-out | 4 flash |

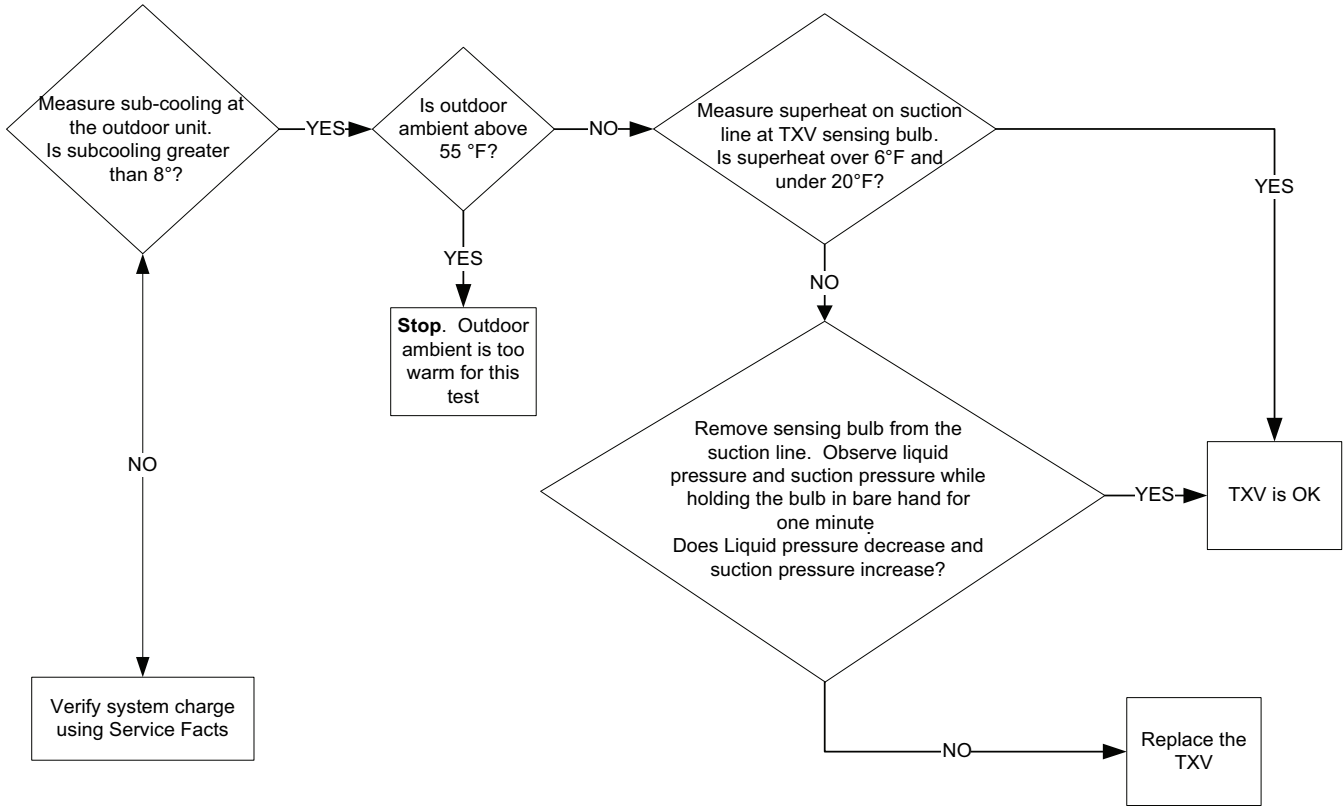
(a) Once the LPCO closes, the 3 flash fault will not continue showing – only 5 flash if in the softlockout period.

Troubleshooting



Before starting, insure proper fan motor operation and both indoor and outdoor coils are clean and clear of ice.

Troubleshooting Outdoor TXV / Heating Mode



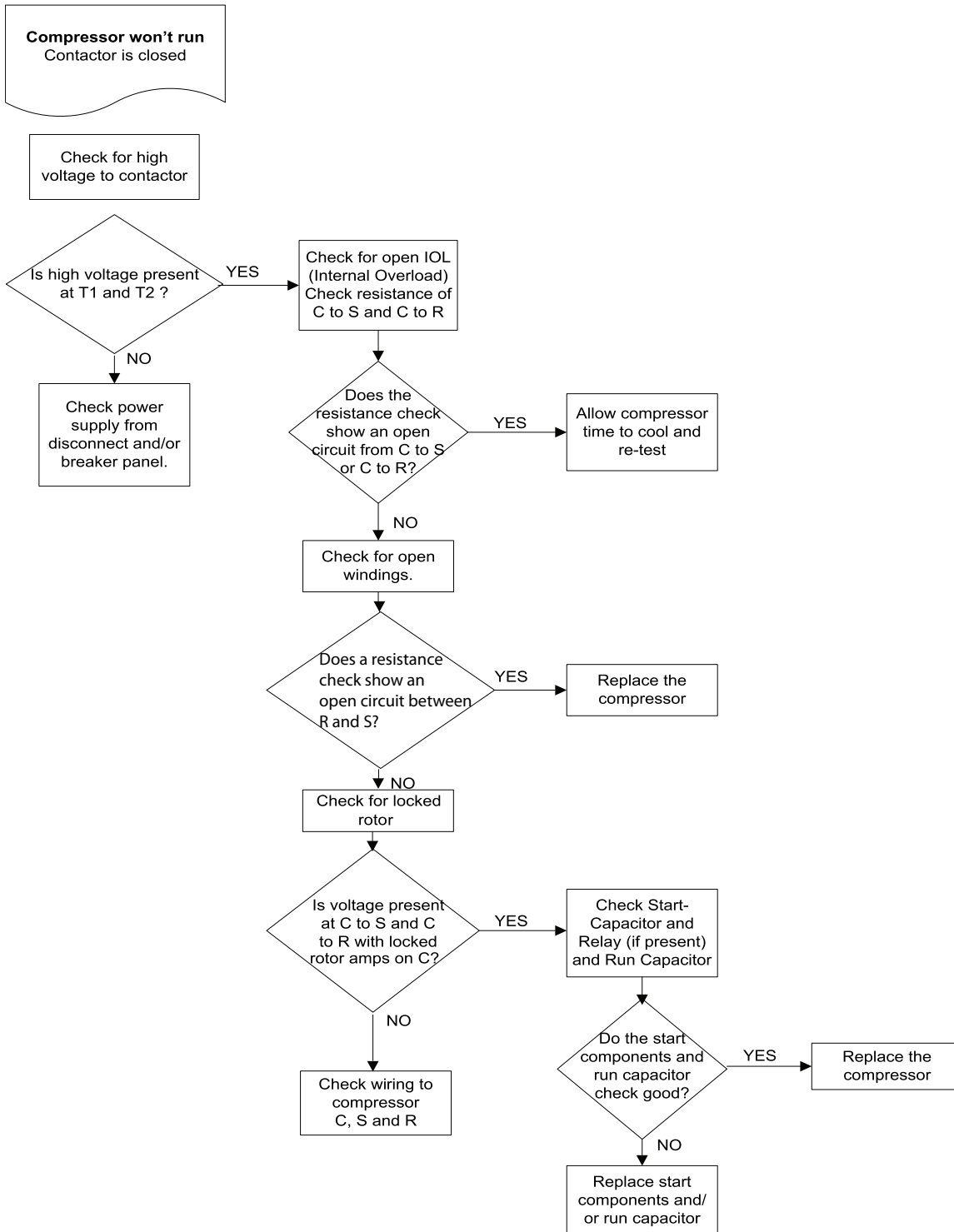
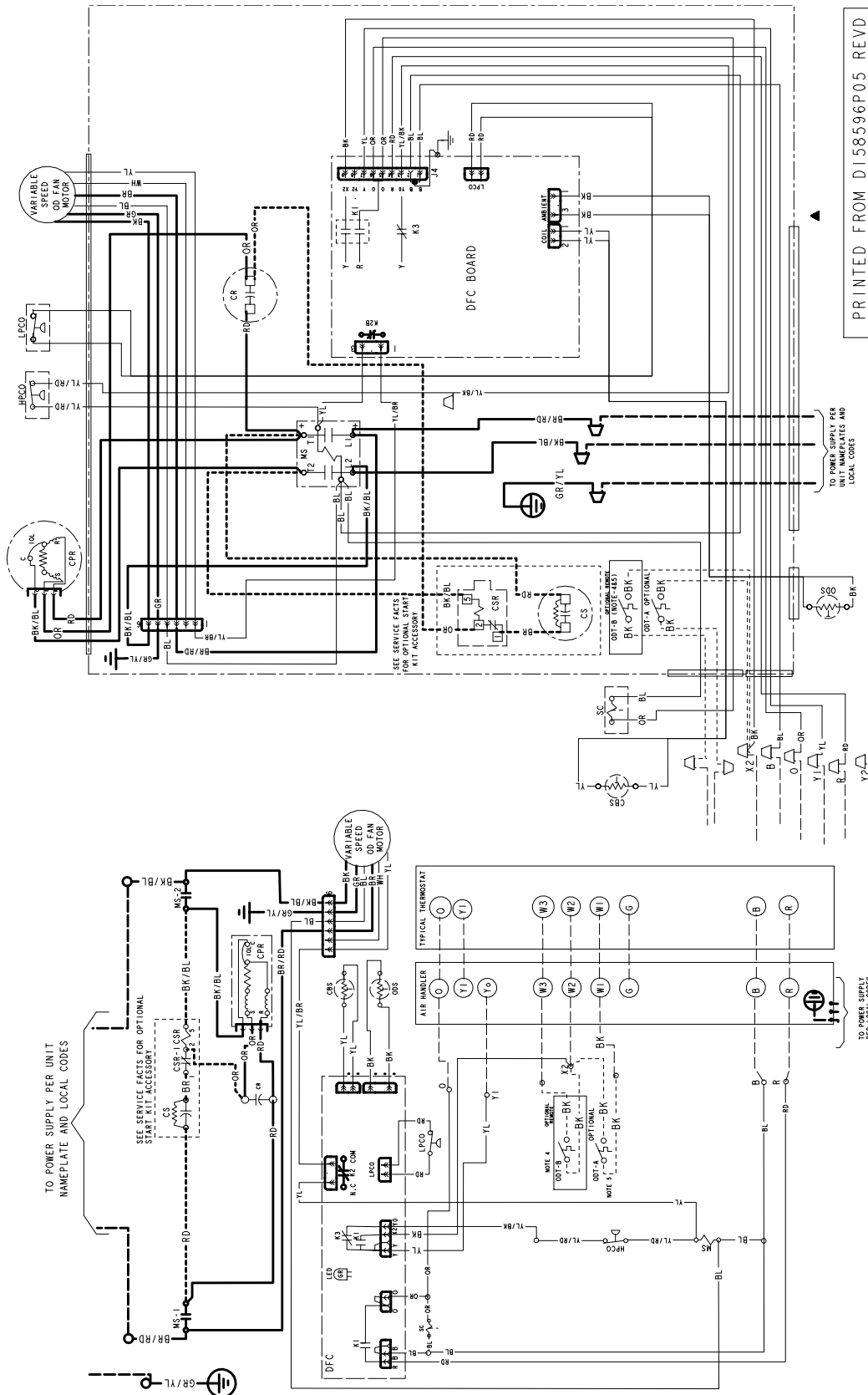


Figure 45. Wiring diagram - models 042A, 048A, and 060A



Wiring Diagrams

Figure 46. Legends and warnings

NOTES:

1. BE SURE POWER SUPPLY AGREES WITH EQUIPMENT NAMEPLATE.
2. POWER WIRING AND GROUNDING OF EQUIPMENT MUST COMPLY WITH LOCAL CODES
3. LOW VOLTAGE WIRING TO BE NO. 18 AWG MINIMUM CONDUCTOR.
4. ODT-B MUST BE SET LOWER THAN ODT-A
5. IF ODT-A IS NOT USED, ADD JUMPER BETWEEN W1 AND W2 AT AIR HANDLER
- ▲ 6. THE GROUND CONNECTIONS SHOWN HERE ARE 2 SEPARATE WIRES, DO NOT CRIMP TOGETHER
"GR/YL 1" WIRE IS FOR GROUND LUG AND " GR/YL 2" IS FOR GROUND WIRE/WIRE NUT OPTION.

NOTE:

MATERIAL: WHITE POLYPROPYLENE SUITABLE FOR USE IN OUTDOOR ENVIRONMENT.
 ADHESIVE: PRESSURE SENSITIVE ADHESIVE WITH RELEASE PAPER SUITABLE FOR OUTDOOR APPLICATION ON PAINTED OR GALVANIZED SHEET METAL SURFACES.
 SIZE: 6 1/4" X 11"

LEGEND

| | | |
|-------------------------------------------------------------------------------------------------------------------------------------------------------------------------------------------------------------------------------------------------------------------------------------------------------------------------------------------------------------------------------------------------------------------------------------------------------------------------------------------|--------------------------------------------------------------------------------------------------------------------------------------------------------------------------------------------------------------------------------------------------------------------------------------------------------------------------------------------------------------------|------------------------------------------------------------------------------------------------------------------------------------------------------------------------------------------------------------------------------------------------------------------------------------------------------------------------------------------------------------------------------------------------------------------------------------------------------------------------------------------------------------------------------------------------------------------------------------------------------------------------------------------------------------------|
| <p> 24 V } FACTORY LINE WIRING 24 V } FIELD WIRING FIELD INSTALLED FACTORY WIRING MAGNETIC COIL GROUND JUNCTION CAPACITOR WIRE NUT OR TERMINAL TRANSFORMER FUSE TERMINAL BLOCK/BOARD </p> | <p> RELAY CONTACT (N.O) RELAY CONTACT (N.C) THERMISTOR TEMP ACTUATED SWITCH INTERNAL OVERLOAD PROTECTION PRESSURE ACTUATED SWITCH RESISTOR OR HEATING ELEMENT MOTOR WINDING POL. PLUG FEMALE HOUSING (MALE TERMINALS) POL. PLUG MALE HOUSING (FEMALE TERMINALS) SINGLE INLINE CONNECTION </p> | <p> COLOR OF WIRE BK / BL COLOR OF MARKER BK BLACK RD RED OR ORANGE BL BLUE WH WHITE GR GREEN BR BROWN YL YELLOW PR PURPLE PK PINK HPCO HIGH PRESSURE CUTOFF SWITCH IOL INTERNAL OVERLOAD PROTECTOR LPCO LOW PRESSURE CUTOFF SWITCH MS COMPRESSOR MOTOR CONTACTOR ODA OUTDOOR ANTICIPATOR OFT OUTDOOR FAN THERMOSTAT ODS OUTDOOR TEMPERATURE SENSOR ODT OUTDOOR THERMOSTAT P-TRD PRESSURE TRANSDUCER </p> |
| <p> ACR A/C RECTIFIER CBS COIL BOTTOM SENSOR CF FAN CAPACITOR CN WIRE CONNECTOR CPR COMPRESSOR CR RUN CAPACITOR CS STARTING CAPACITOR CSR CAPACITOR SWITCHING RELAY DFC DEFROST CONTROL EEV ELECTRONIC EXP VALVE EEVC ELECTRONIC EXP VALVE CONTROL F INDOOR FAN RELAY </p> | <p> SC SWITCH OVER VALVE SOLENOID SM SYSTEM ON-OFF SWITCH TDL DISCHARGE LINE THERMOSTAT TDR TIME DELAY RELAY (5 SEC DELAY ON) TNS TRANSFORMER TEMP SENSOR, TEMPERATURE Y2C HIGH CAPACITY CONTROL RELAY </p> | |

FOR CANADIAN INSTALLATIONS
 POUR INSTALLATIONS CANADIENNES

CAUTION: NOT SUITABLE FOR USE ON SYSTEMS EXCEEDING 150V-TO-GROUND
 ATTENTION: NE CONVIENT PAS AUX INSTALLATIONS DE PLUS DE 150 V A LA TERRE

CAUTION

USE COPPER CONDUCTORS ONLY!
 UNIT TERMINALS ARE NOT DESIGNED TO ACCEPT OTHER TYPES OF CONDUCTORS.
 Failure to do so may cause damage to the equipment.

WARNING

HAZARDOUS VOLTAGE!
 DISCONNECT ALL ELECTRICAL POWER INCLUDING REMOTE DISCONNECTS BEFORE SERVICING.
 FAILURE TO DISCONNECT POWER BEFORE SERVICING CAN CAUSE SEVERE PERSONAL INJURY OR DEATH.

Pressure Curves

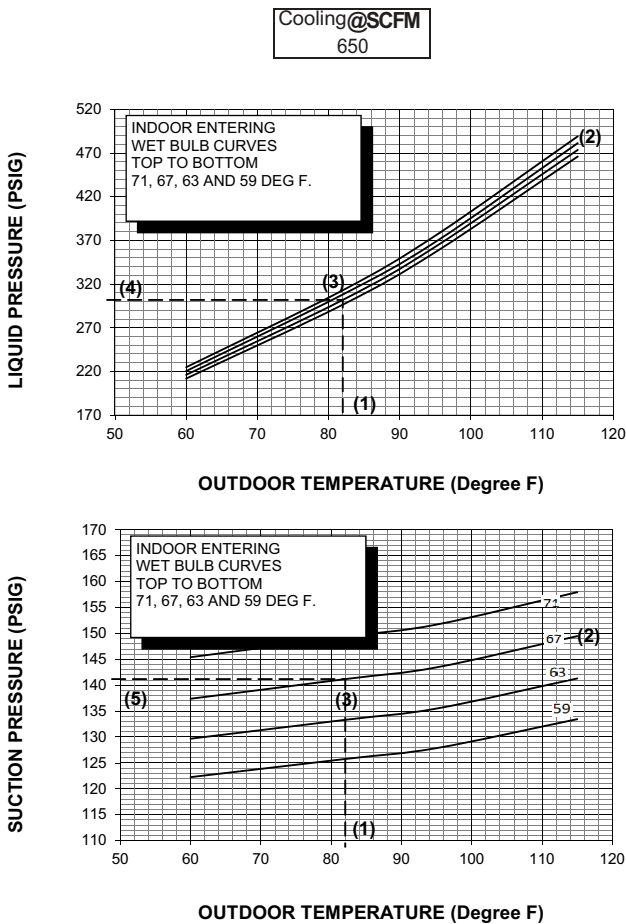
Cooling performance can be checked when the outdoor temperature is above 65° F.

To check cooling performance, select the proper indoor cfm, all pressures to stabilize. Measure indoor wet bulb temperature, outdoor temperature, discharge and suction pressures.

1. On the plots locate outdoor temperature
2. Locate indoor wet bulb
3. Find intersection of OD temperature and ID W.B.
4. Read discharge or suction pressure in left column

Example:

Figure 47. Pressure curves - model A5HP5018A1

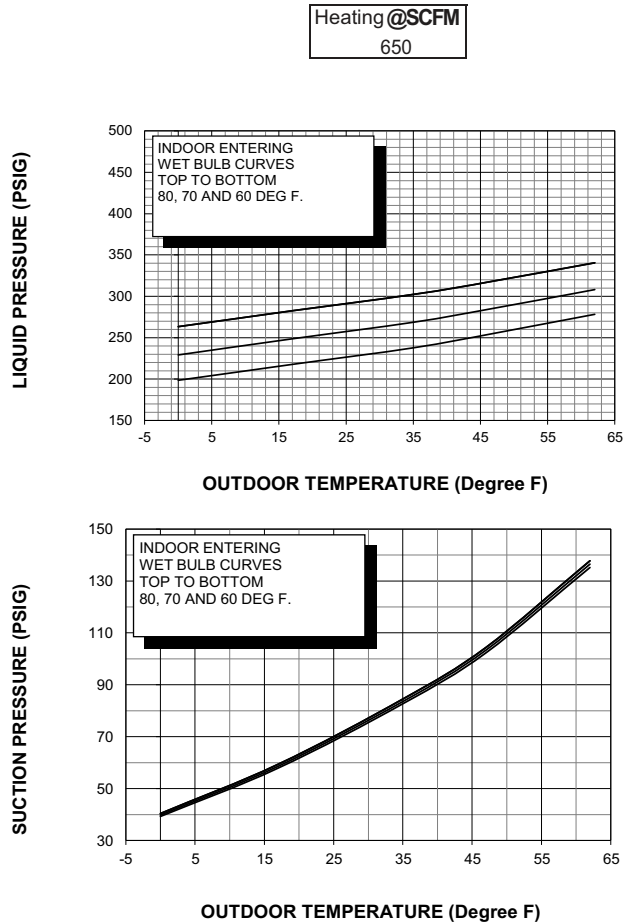


1. Outdoor temperature 82° F
2. In door wet bulb 67° F
3. At intersection
4. Discharge pressure @ 740 cfm is 291 psig
5. Suction pressure @ 740 cfm is 154 psig

Actual:

Liquid pressure should be +/- 10 psi of chart.

Suction pressure should be +/- 3 psi of chart.



Pressure Curves

Figure 48. Pressure curve - model A5HP5024A1

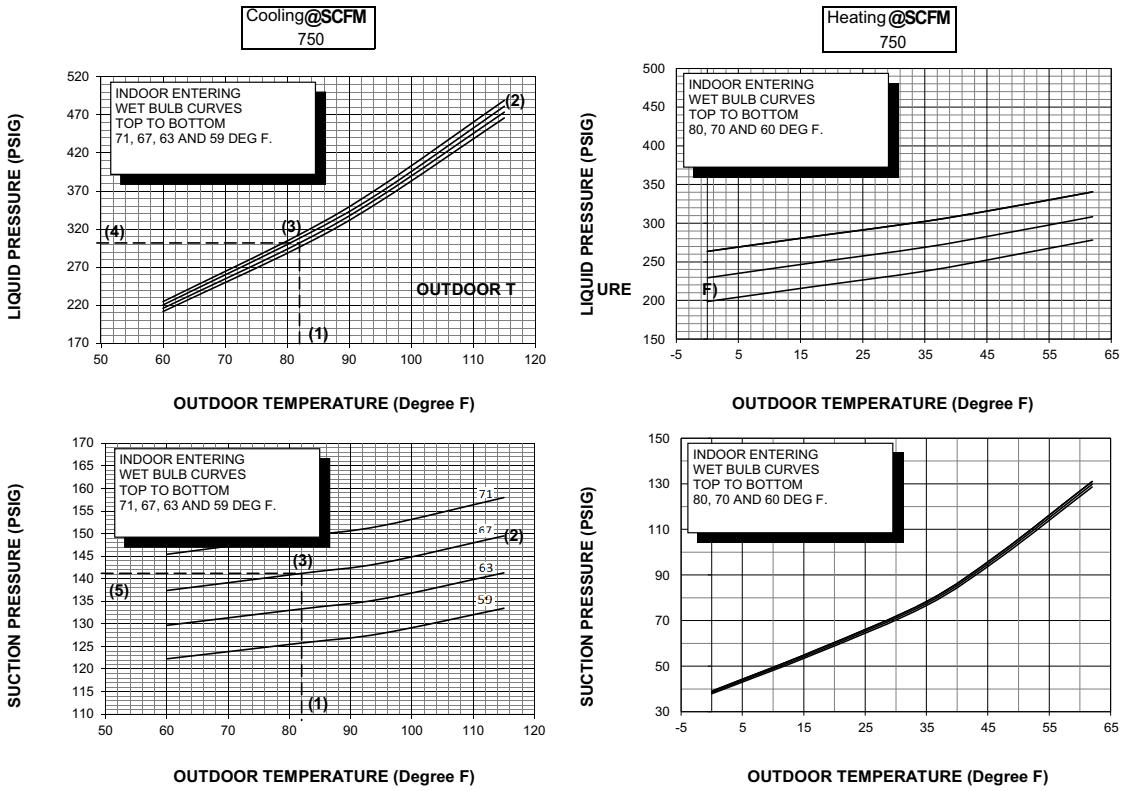


Figure 49. Pressure curves - model A5HP5030A1

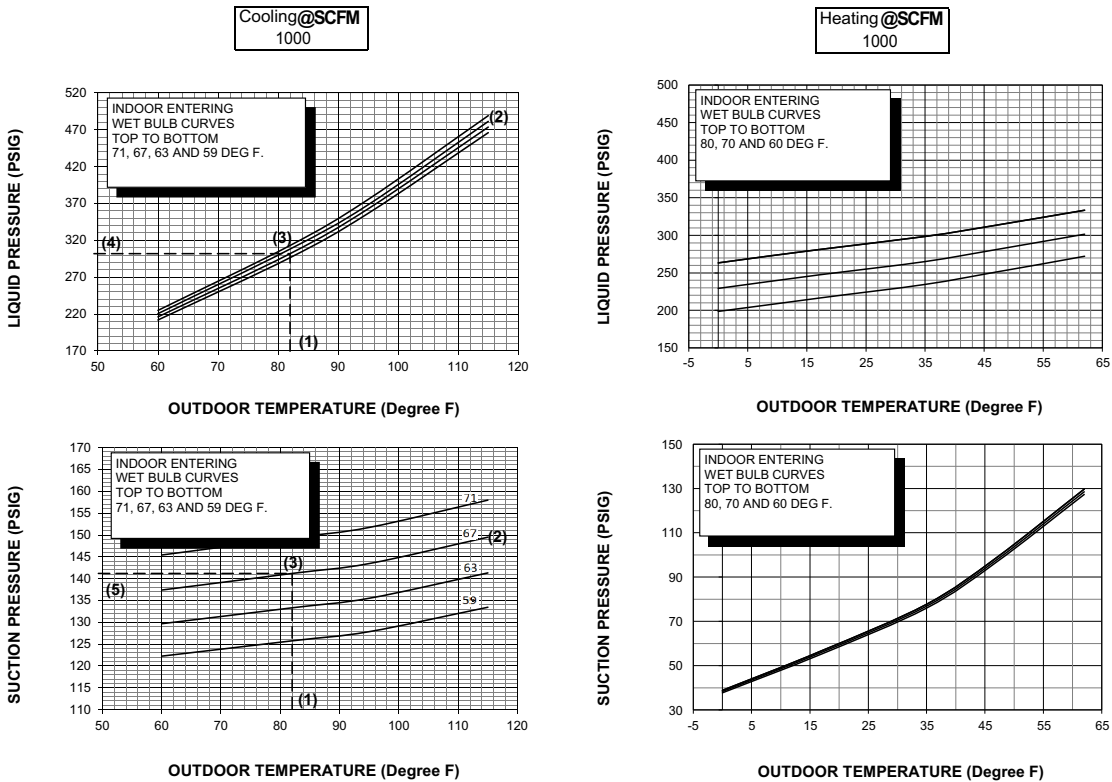


Figure 50. Pressure curves - model A5HP5036A1

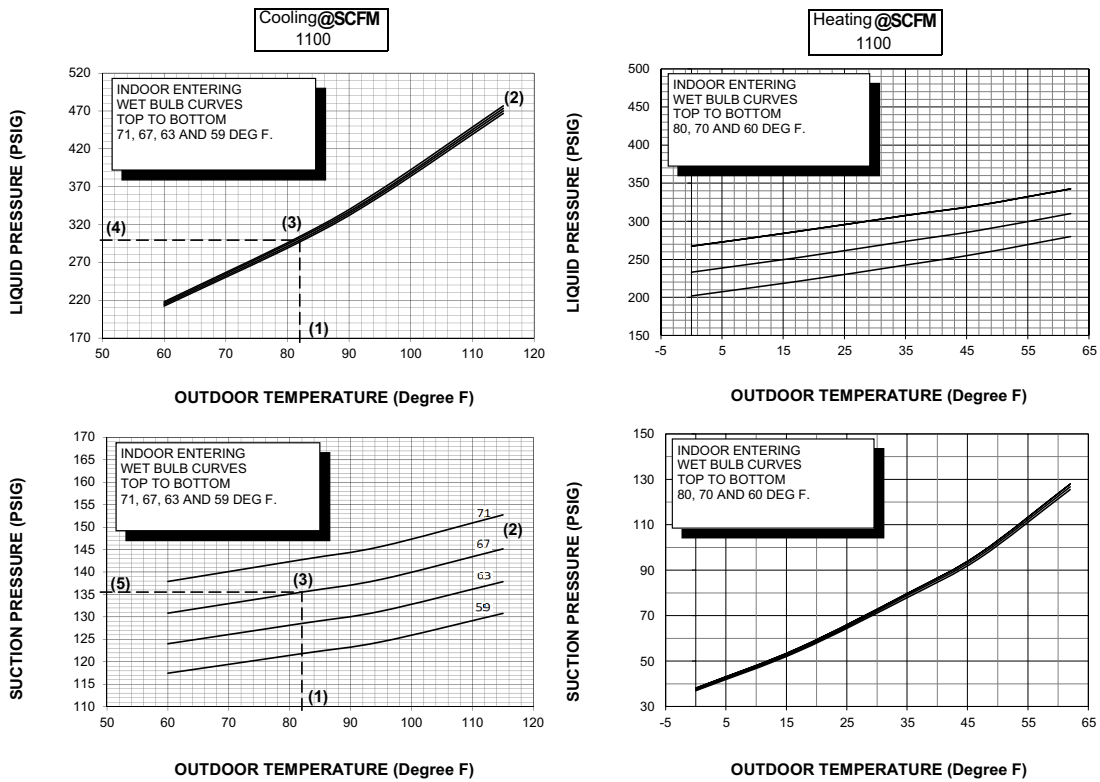
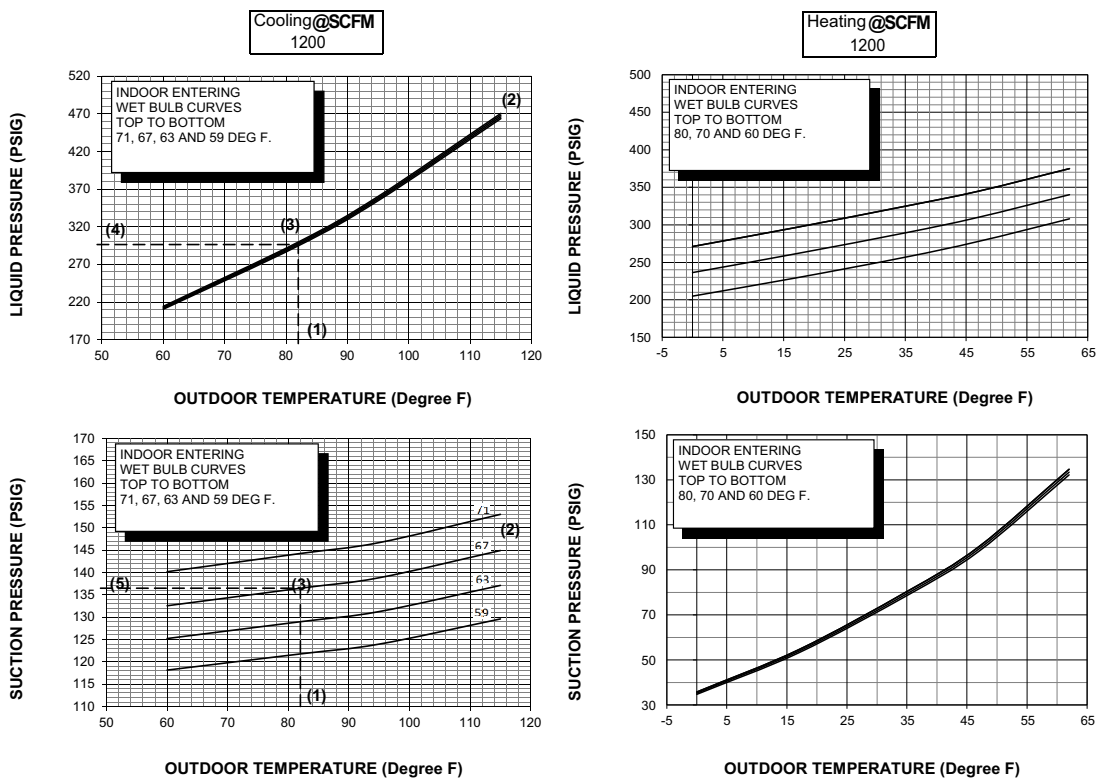


Figure 51. Pressure curves - model A5HP5042A1



Pressure Curves

Figure 52. Pressure curves - model A5HP5048A1

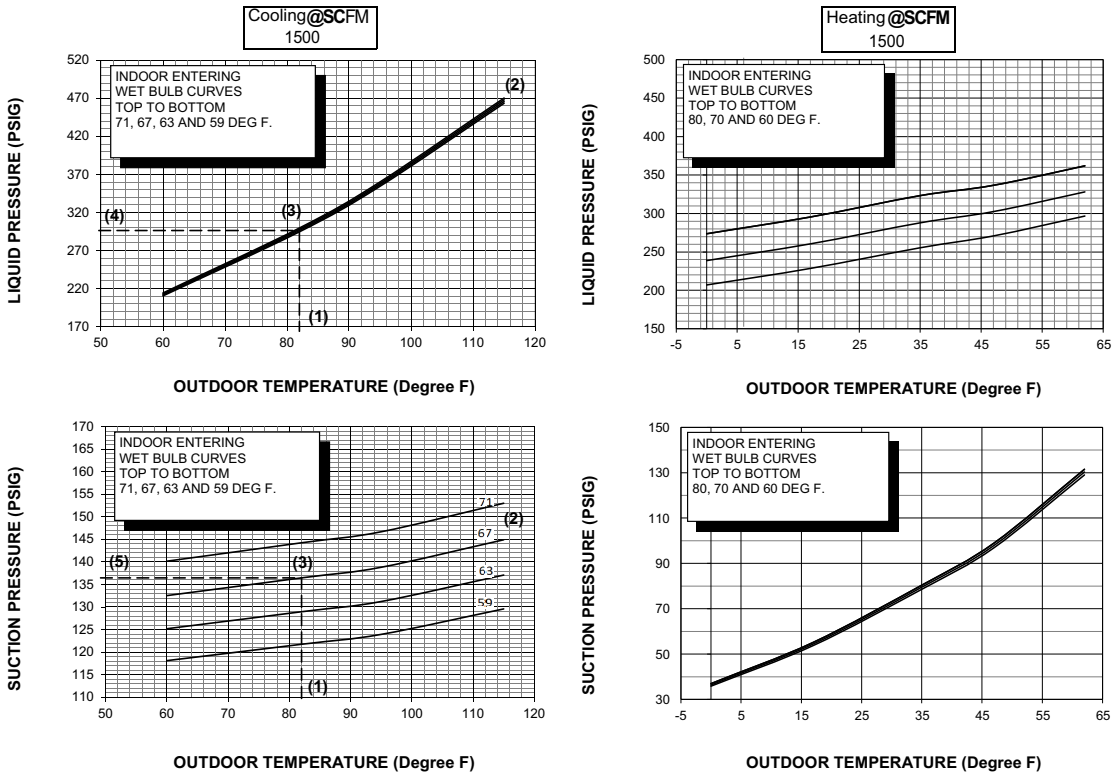
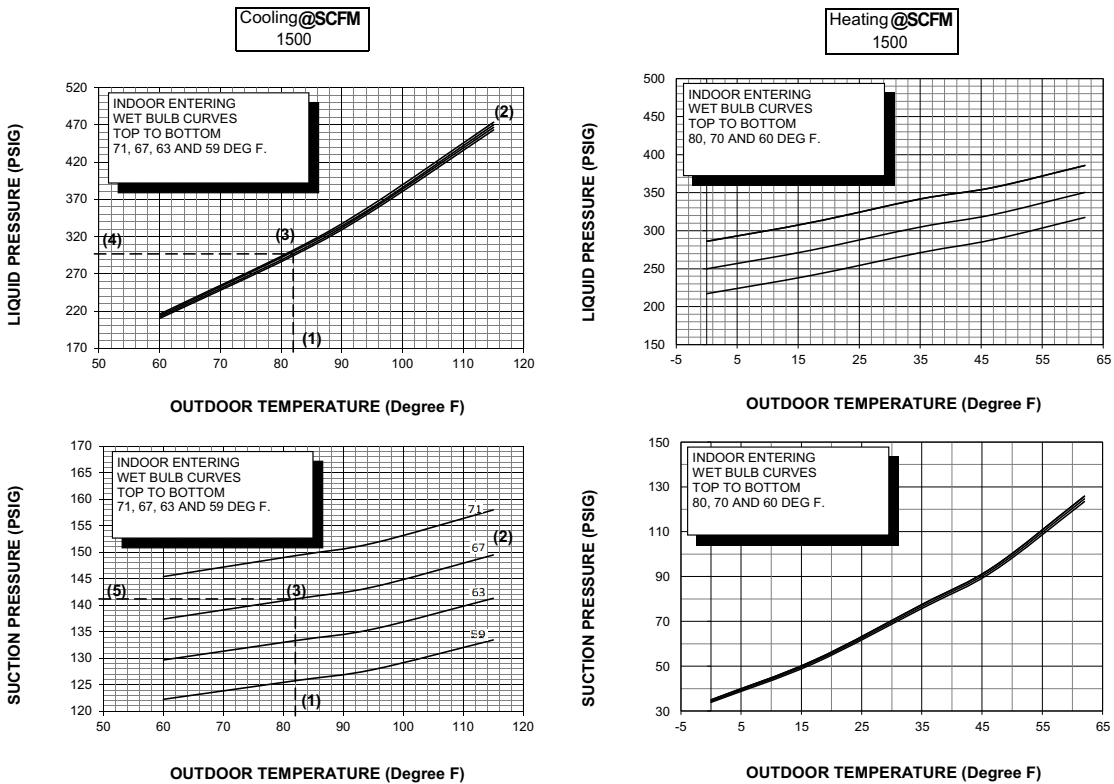


Figure 53. Pressure curves - model A5HP5060A1



Refrigerant Circuit

Note: The refrigerant circuit illustrations below are for reference only.

Figure 54. Heating refrigeration cycle

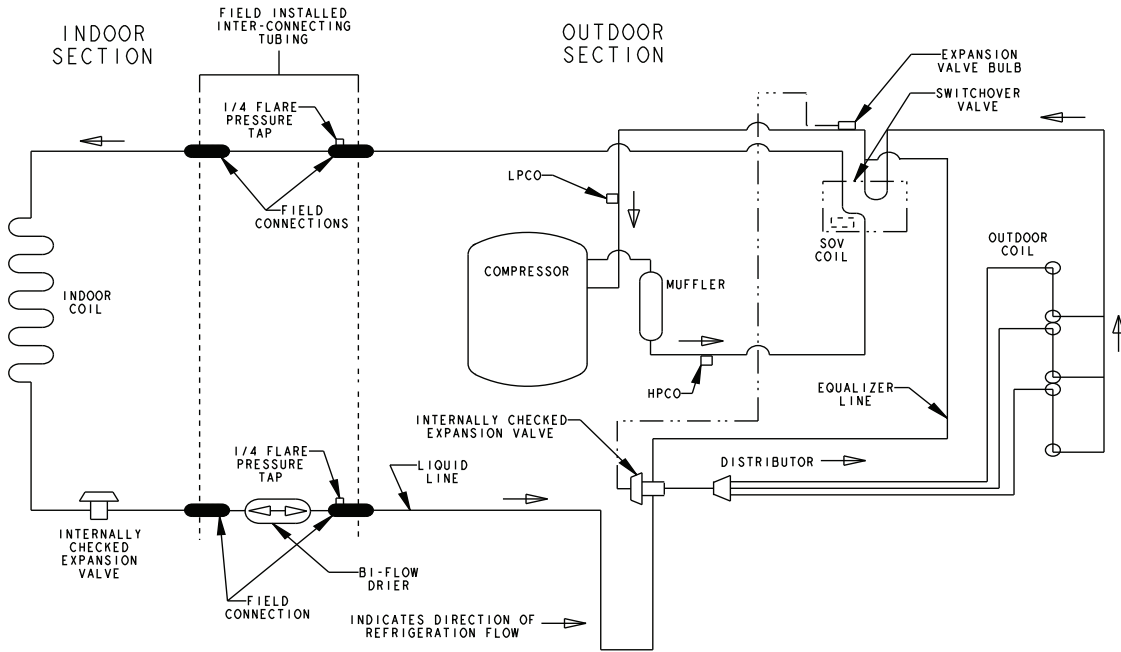
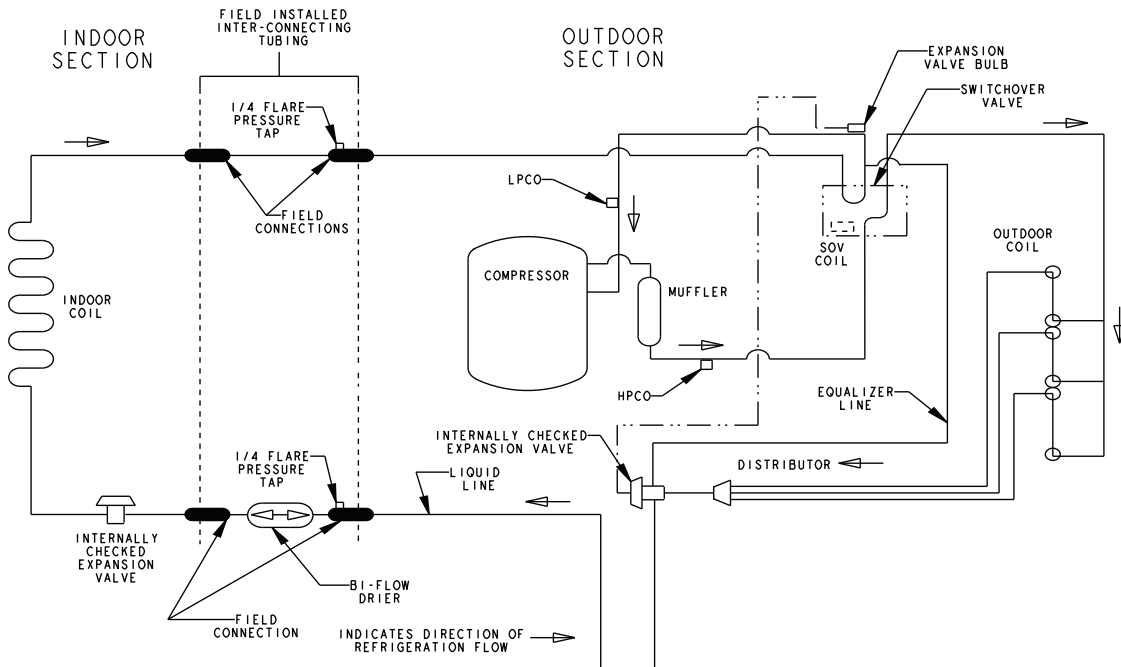


Figure 55. Cooling refrigeration cycle



About Trane and American Standard Heating and Air Conditioning

Trane and American Standard create comfortable, energy efficient indoor environments for residential applications. For more information, please visit www.trane.com or www.americanstandardair.com.



The AHRI Certified mark indicates company participation in the AHRI Certification program. For verification of individual certified products, go to ahridirectory.org.

The manufacturer has a policy of continuous data improvement and it reserves the right to change design and specifications without notice. We are committed to using environmentally conscious print practices.