

Installation Operation Maintenance



18-HE122D1-1A-EN

Whole House Air Cleaner

Upflow Furnace

Models

EFD145DLFR000**
EFD175DLFR000**
EFD210DLFR000**
EFD245DLFR000**

Downflow Furnace

Models

EFD17DDLFR000**
EFD21DDLFR000**

Air Handler

Models

EFD175DLAH000**
EFD215DLAH000**
EFD235DLAH000**
EFD260DLAH000**

50 Hz Air Handler

Models

TFD215CLAH005E
TFD235CLAH005E
TFD260CLAH005E

ALL phases of this installation must comply with NATIONAL, STATE AND LOCAL CODES

IMPORTANT — This Document is **customer property** and is to remain with this unit.
Please return to service information pack upon completion of work.



Contents

A. Duct Support Installation	3
B. Application Information	3
C. Door Operation	4
D. Installation Guidelines	5
Upflow Furnace and Upflow Air Handler Installation	5
Downflow Air Handler Installation	5
Downflow Furnace Installation	6
Side Return Furnace Installation	7
E. Electrical Connections	8
Electrical Connections to a COM Sys Air Handler in Conventional 24 V Mode	10
Electrical Connections to a COM Sys Air Handler	11
Electrical Connections to a COM Sys Furnace in 24 V Mode	12
Electrical Connections to a COM Sys Furnace	13
Electrical Connections to an Oil Furnace	14
Electrical Connections for Dual Whole House Air Cleaners	15
A2L Systems	18
Hook Up Diagrams for A2L Systems	19
F. Air Cleaner Operation	20
G. SET-UP Mode	20
Installer Set-Up Mode	20
Pre-Filter Setting	20
Cell Cleaning Setting	21
Field Charger Power Level	21
Field Charger Power Level Setting	21
H. Maintenance	21
Cleaning	21
I. Outline Drawings	26
J. Pressure Drop Information	29

⚠ WARNING

This information is for use by individuals having adequate backgrounds of electrical and mechanical experience. Any attempt to repair a central air conditioning product may result in personal injury and/or property damage. The manufacturer or seller cannot be responsible for the interpretation of this information, nor can it assume any liability in connection with its use.

⚠ WARNING

RISK OF ELECTRIC SHOCK: These servicing instructions are for use by qualified personnel only. To reduce the risk of electric shock, do not perform any servicing other than that contained in these operating instructions unless you are qualified to do so.

Installer's Guide

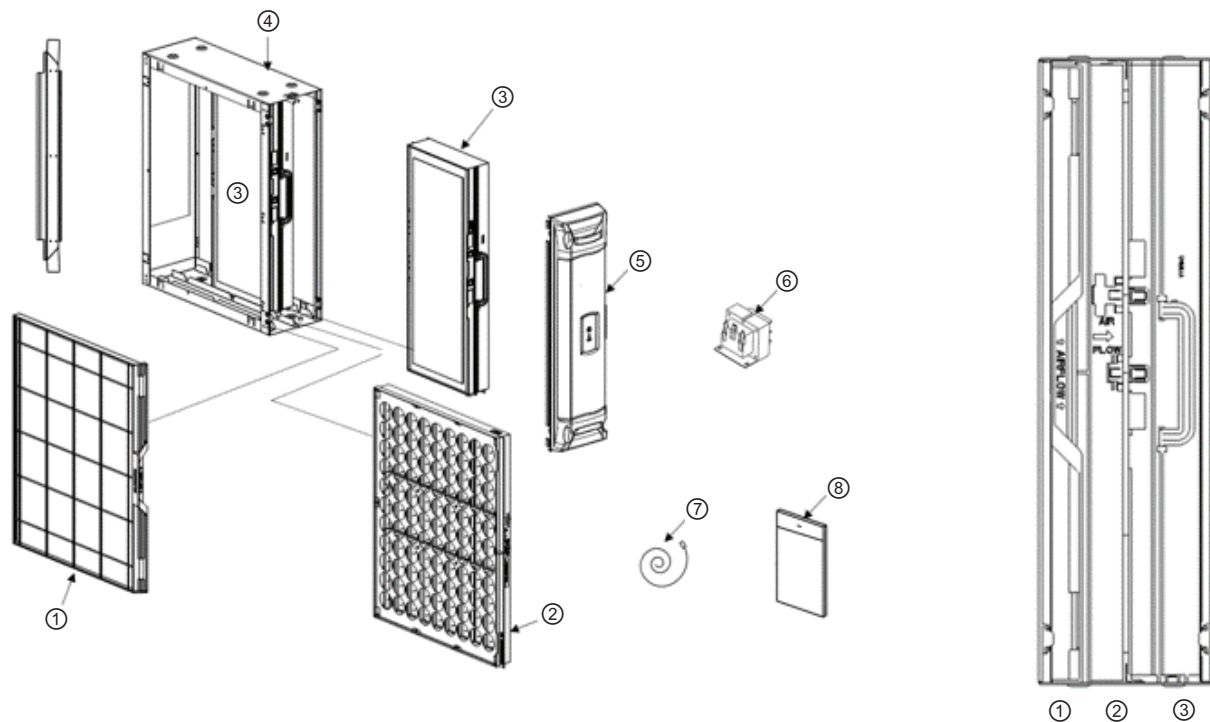


Figure 1 Components of the Air Cleaner

Unpack the Air Cleaner and check to make sure all components are included. They consist of:

- 1) **PRE-FILTER** - traps large particles such as hair and lint before they can enter the cell section.
- 2) **FIELD CHARGER** - Charges the contaminants. **Only to be removed, cleaned or serviced by a qualified technician.**
- 3) **COLLECTION CELL (2)** - removes and collects very small impurities from the air.
- 4) **CABINET** - mounts between the furnace/air handler and return air ductwork and houses the COLLECTION CELLS, FIELD CHARGER and PRE-FILTER.
- 5) **POWER DOOR** - the solid state power supply components that convert the 24 Volt AC to the high-voltage, direct current required to power the FIELD CHARGER and COLLECTION CELLS. Allows access to the

COLLECTION CELLS, FIELD CHARGER and PRE-FILTER.

- 6) **TRANSFORMER** - supplies 24 Volts to the indoor unit and air cleaner (*not included with 50 Hz units*)
- 7) **24 VOLT POWER/CONTROL CABLE**
- 8) **GASKET, LITERATURE AND HARDWARE PACKET**

Check carefully for any shipping damage. This must be reported to and claims made against the transportation company immediately. Check to be sure all major components are in the unit. Any missing parts should be reported to your supplier at once, and replaced with authorized parts only.

The whole house air cleaner can be installed either as part of a Communicating heating and air conditioning system or as part of a traditional 24 volt system.

When installed as part of a Communicating System in which the indoor unit, outdoor unit, and 900 series comfort control are equipped with our exclusive Communicating technology, this system performs a continuous loop of system diagnostics and data output. The Communicating System monitors itself and quickly identifies any operational faults, automatically issuing a service alert if needed.

The whole house air cleaner can also be installed as part of a traditional 24 volt heating and air conditioning system.

NOTE: International (50 Hz) Timings:
Due to differences in electrical systems outside the United States, customers with 50 Hz electrical systems will need to be aware of minor differences in the timings shown in this guide. 50 Hz timings will appear in [brackets] following the standard 60 hz timings.

A. DUCT SUPPORT INSTALLATION

⚠ CAUTION

SAFETY HAZARD

Sharp Edge Hazard. Be careful of sharp edges on equipment or any cuts made on sheet metal while installing or servicing. Personal injury may result.

Step 1: Review the figures below and determine which one looks like your application.

Step 2: To prevent racking of the air cleaner, support duct per the illustration.

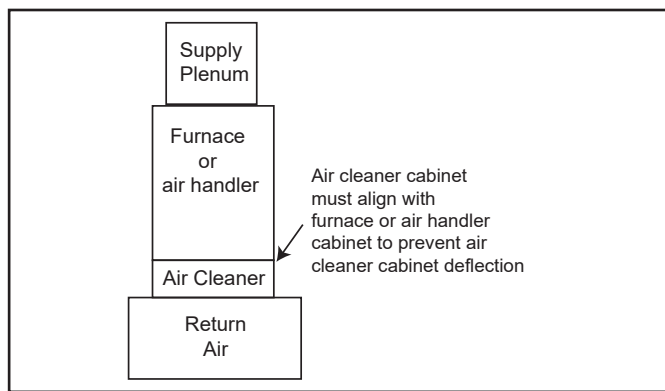


Figure 2

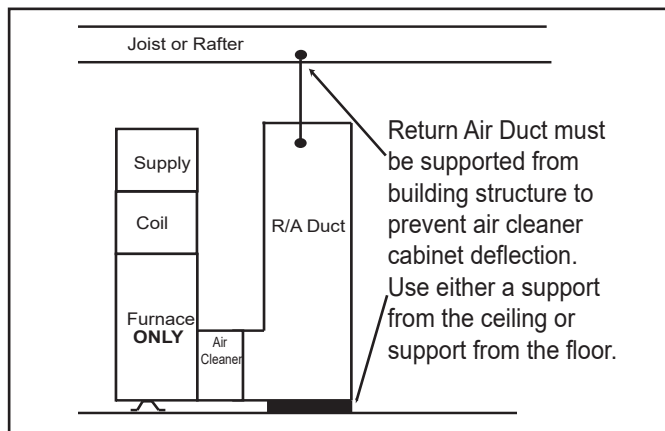


Figure 3

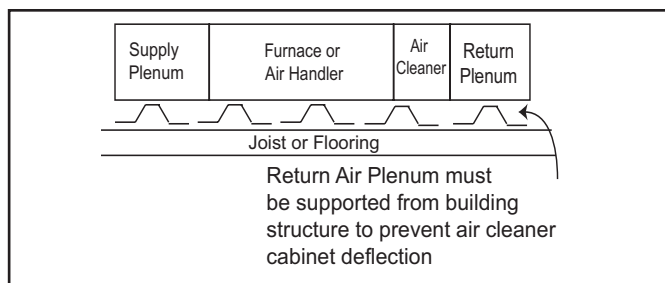


Figure 4

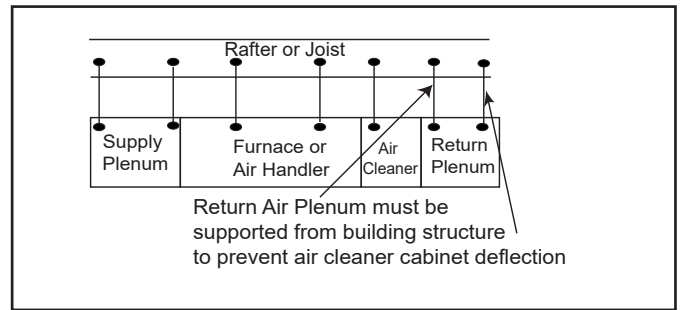


Figure 5

B. APPLICATION INFORMATION

NOTE: Do NOT install the air filter in the discharge air stream of either the air handler or furnace.

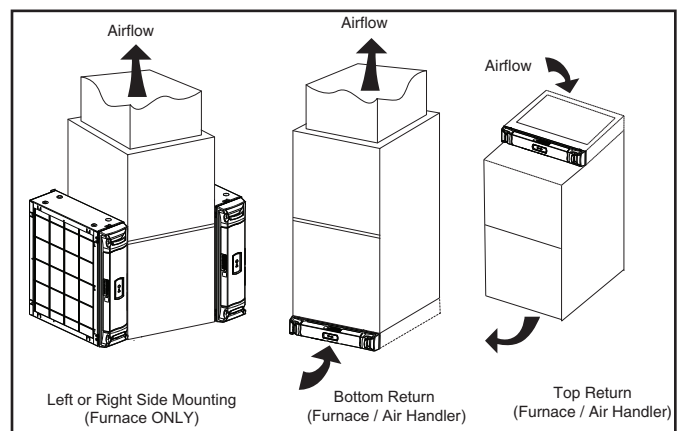


Figure 6 Mounting Location of Air Cleaner

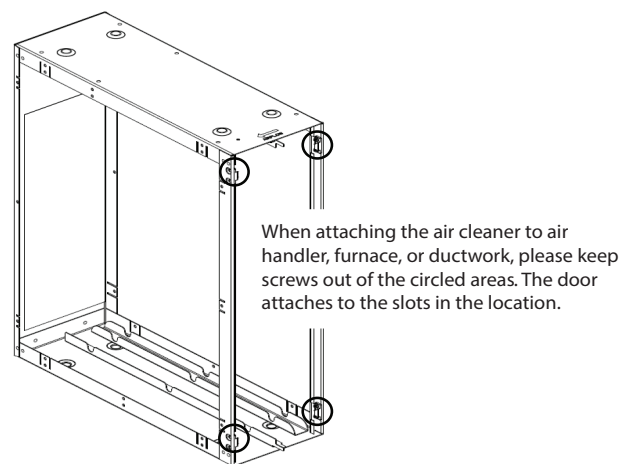


Figure 7 Avoiding Screw Interference

⚠ CAUTION

Do NOT install air cleaner where the filter can be exposed to UV light. UV light can cause the plastic material to deteriorate, which may lead to filter damage.

This air cleaner cabinet must be mounted in the return air duct of a central forced-air Furnace/Air Handler.

Installer's Guide

Select a location that meets the following:

1. The face of the cell must be at a right angle to the air stream.
2. Allow a minimum of 28 inches clearance in front of the air cleaner to permit removal of cells and Pre-Filter.
3. Flow-through Bypass Humidifiers
Excessive bypass air may cause water blow-off, which will adversely affect system operation and air cleaner performance. To verify bypass airflow, follow the Bypass Humidifier Pre-Installation Checkout and Set-Up Procedures available through your local distributor. Ask for publication number 18-CH37D1-*

Steam and Flow-through Fan Power Duct-mounted Humidifiers

Follow the Humidifier installation instructions. These should only be installed on the supply air side of the system.

Other Duct Mounted Humidifiers

Not recommended for installation with the air cleaner.

⚠ WARNING

Hazardous Voltage!

Disconnect all electric power, including remote disconnects before servicing. Follow proper lockout/tagout procedures to ensure the power can not be inadvertently energized. Failure to disconnect power before servicing could result in death or serious injury.

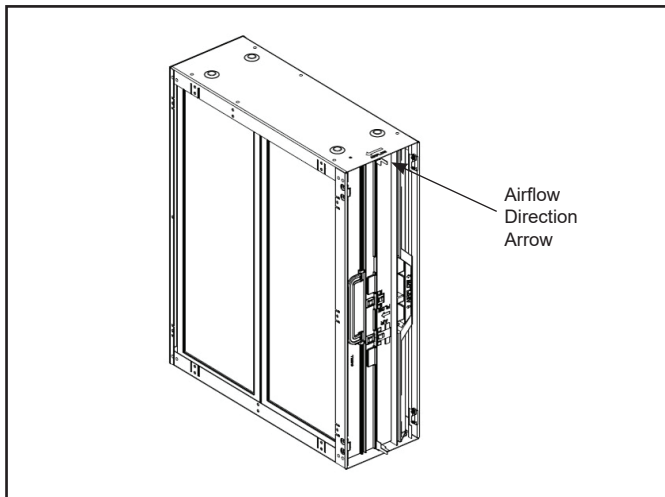


Figure 8 Airflow Direction

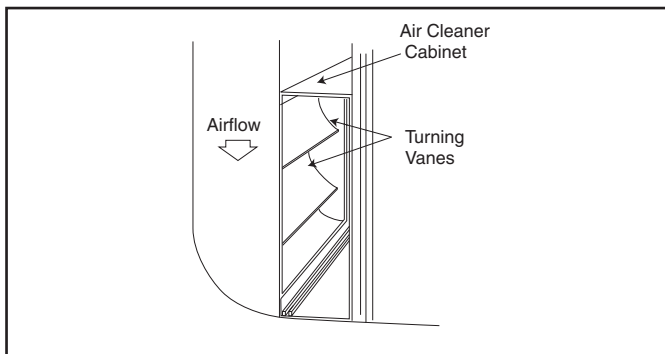


Figure 9 Turning Vanes

4. Install the air cleaner such that the airflow direction arrow on the cabinet always points towards the furnace/ air handler. See Figure 8.
5. The PRE-FILTER must be on the entering airstream side of the air cleaner cabinet. The mounting flange on this side of the cabinet has the single row of holes for attaching ductwork.
6. On side return furnace applications, the air cleaner may be installed on either side of the cabinet or both sides of the furnace if two air cleaners are required to reduce system static.

Position the PRE-FILTER on the side away from the furnace. The COLLECTION CELL guide key, installed in the cabinet will only allow the cells to be installed in the proper direction. Airflow direction must agree with airflow arrows on the cabinet.

7. It is recommended that sheet metal turning vanes be installed inside an elbow on ductwork attached to the entering airstream side of the air cleaner. This improves the air distribution over the COLLECTION CELLS. See Figure 9.
8. Use transition fittings where return air duct dimensions do not match the air cleaners opening dimensions. Gradual transitions are preferred for greatest efficiency. Four inches per linear foot (approximately 20° angle) should be allowed, space permitting.
9. Seal all joints in the return air system to prevent dust from entering the air stream.

NOTE: Do NOT use a silicon based sealant. This causes a coating on the FIELD CHARGER pins that ill decrease the efficiency of the air cleaner.

C. DOOR OPERATION

The air cleaner comes with the Power Door installed on the unit. The Power Door and the internal components will need to be removed before installation. Follow these guidelines for removing and reinstalling the door:

REMOVING THE POWER DOOR:

Step 1: Remove the Door Assembly from Whole Home Air Cleaner by pulling away from the unit assembly. Place on the flat and clean working surface with interior components facing up. See Figure 10.

⚠ CAUTION

Handle the door only by using the handles on the front of the door. Grasp the door by the handles as depicted in Figure 10 to remove and replace the door. Do not handle the door on the edges. Metal edges may be sharp and could result in injury if the door is not handled properly.

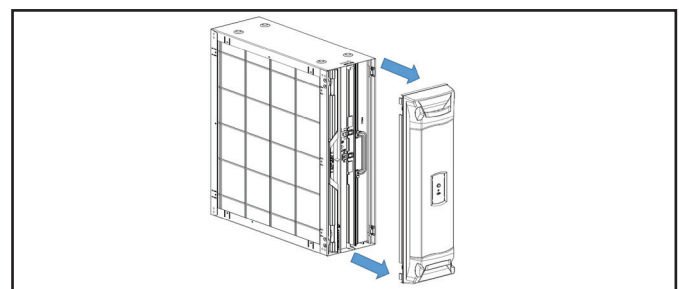


Figure 10 Removing Door Assembly

Step 2: Remove the Door Assembly from Whole Home Air Cleaner by pulling away from the unit assembly. Place on the flat and clean working surface with interior components facing up. See Figure 11.

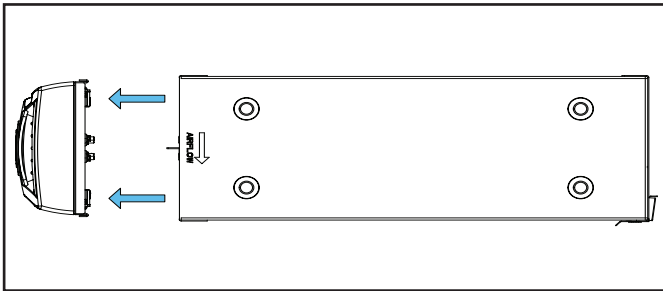


Figure 11 Door Removal

REINSTALLING THE POWER DOOR:

Step 1: To reinstall the Door Assembly, align door with unit assembly and push towards the unit. See Figure 12.

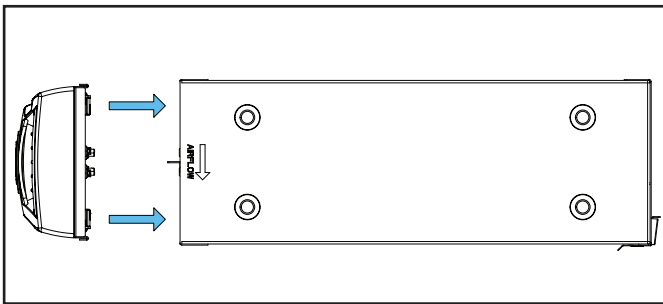


Figure 12 Door Install

Step 2: Replace the power door onto the air Cleaner. See Figure 13.

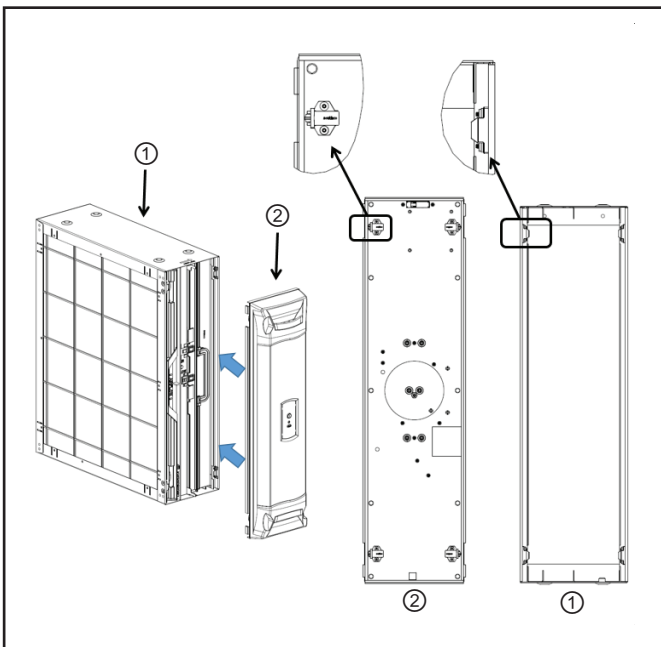


Figure 13 Reinstalling Power Door

D. INSTALLATION GUIDELINES

UPFLOW FURNACE AND UPFLOW AIR HANDLER INSTALLATION

DOWNFLOW AIR HANDLER INSTALLATION

1. See Door Operation Section C. Remove the PRE-FILTER, FIELD CHARGER, and both COLLECTION CELLS. Set the components aside until the cabinet is installed and the indoor unit is in place.
2. Install the self-adhesive gasket material on the side of the air cleaner cabinet flange that will mate with the indoor unit. This flange has a double set of holes. See Figure 14.
3. On a protective pad, lay the indoor unit on its side.
4. Position the air cleaner on the return opening of the indoor unit with the air cleaner cabinet gasket against the indoor unit. Check that the front of the air cleaner cabinet is facing the front of the indoor unit.
5. Align the rear of the air cleaner flush with the rear of the indoor unit.
6. Align the sides of the cabinet with the sides of the unit.
7. The front of the cabinet will NOT align flush with the front of the unit.
8. Securely fasten the unit using the self-tapping sheet metal screws provided. See Figures 14.

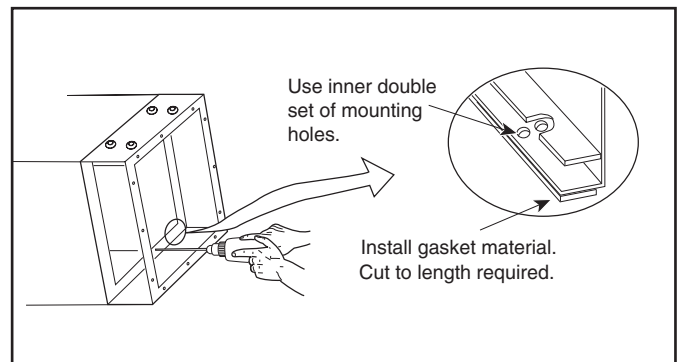


Figure 14 Installation Details

Installer's Guide

UPFLOW AIR HANDLER APPLICATIONS ONLY

- Position the baffle onto the air cleaner as indicated in Figure 15. The baffle should be positioned on the leaving air side of the air cleaner cabinet opposite the power door. Ensure that the bracket is located correctly inside the air cleaner enclosure so that the baffle or screws do not interfere with the filter cell installation. (See Figure 15 inset.)

NOTE: The upflow air handler baffle is required to protect the air cleaner in the event of a drain pan overflow. This baffle is required for all upflow air handler installations.

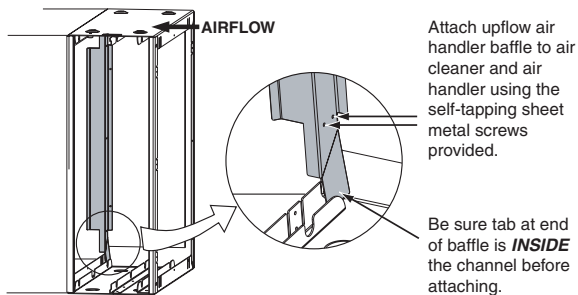


Figure 15 Upflow Air Handler Baffle Installation Details

- Install unit in place and secure.
- Reinstall the FIELD CHARGER and lock into place by bending one locking tab on the cabinet. See Figure 16.
- Reinstall the PRE-FILTER and COLLECTION CELLS.
- Each cell must be oriented with handles toward the front.
- The door can be installed in **either direction**. See Door Operation Section C.
- Remove stickers (two stickers both are 5.5" x 7.5") from packet and attach to furnace, air handler, or ductwork in a location visible to the homeowner.
- Demonstrate Maintenance (Section H) and Door Operation (Section C) to the homeowner.

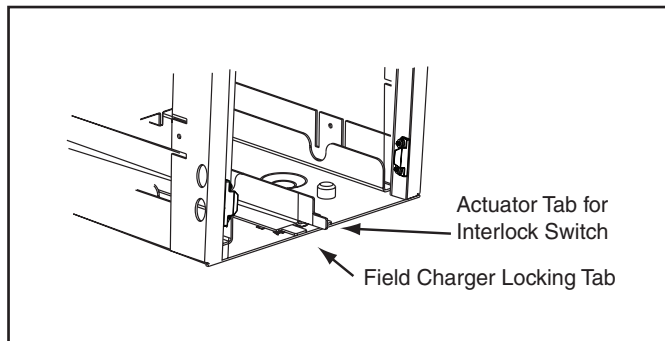


Figure 16 Locking Tab

DOWNFLOW FURNACE INSTALLATION

NOTE: On 90% Downflow Furnaces, the intake and exhaust (flue) are located on top. A field supplied transition is needed between the furnace and the air cleaner. The transition must be long enough to avoid any interference between the intake and exhaust pipe routing and the door of the air cleaner. The door and internal components must be removable for servicing.

NOTE: Optional Side Vent Kit BAYVENT500A may be used if a 90% downflow furnace is installed with a whole house air cleaner. This optional side venting kit allows access to the front door of the whole house air cleaner for easy filter cleaning and maintenance. This kit eliminates the need for the transition between the furnace and air cleaner.

- See door operation Section C. Remove the PRE-FILTER, FIELD CHARGER, and both COLLECTION CELLS. Set the components aside until the cabinet is installed and the indoor unit is in place.

NOTE: Cut the front duct flange 2" from each side and fold flat to clear the Power Door latches. Some applications may require a transition for piping clearances. See Figure 17.

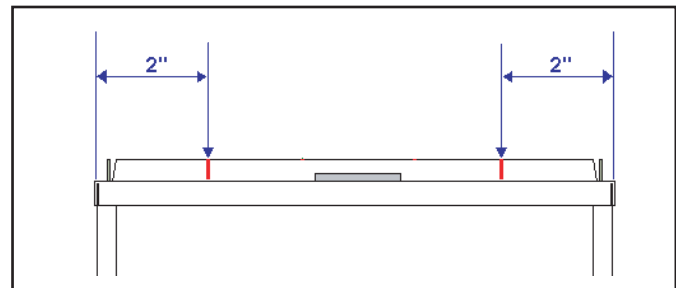


Figure 17 Duct Flanges

NOTE: Remove filter rack from downflow Furnace and discard.

- Bend the 4 mounting tabs down on the two sides of the air cleaner cabinet. These can be used to attach the air cleaner cabinet to the furnace. See Figure 18.

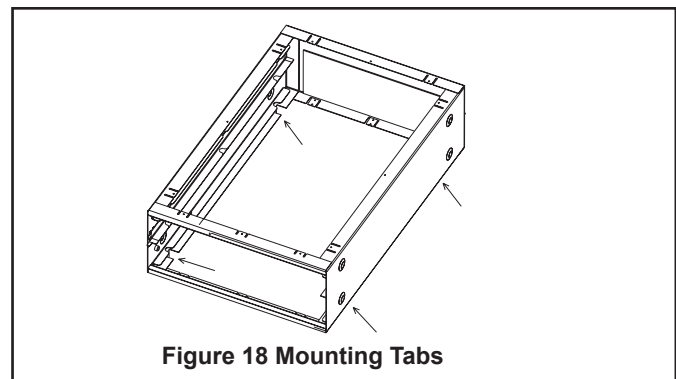


Figure 18 Mounting Tabs

- Install the self-adhesive gasket material on the side of the air cleaner cabinet flange that will mate with the indoor unit. This flange has a double set of holes. See Figure 14.

4. Apply transitions or spacer as required to clear flue piping and to ensure the opening of the air cleaner matches the opening in the furnace.

Position the air cleaner on the return opening of the furnace with the air cleaner cabinet gasket against the furnace. Check that the front of the air cleaner cabinet is facing the front of the furnace.

5. Align the rear of the air cleaner flush with the rear of the indoor unit.
6. Align the sides of the cabinet with the sides of the unit.
7. The front of the cabinet will NOT align flush with the front of the unit.
8. Securely fasten the unit using the self-tapping sheet metal screws provided. See Figure 14.
9. Reinstall the FIELD CHARGER and lock into place by bending one locking tab on the cabinet. See Figure 16.
10. Reinstall the PRE-FILTER and COLLECTION CELLS.
11. Each COLLECTION CELL must be oriented with the handles toward the front.
12. The door can be installed in **either direction**. See Door Operation Section C..

NOTE: The door has a safety switch to ensure power is interrupted when the door is removed. This switch is open when the door is removed from the cabinet. When the door is properly installed, an actuator tab located in the cabinet will close the switch, allowing power to the electronics.

13. Remove stickers (two stickers both are 5.5" x 7.5") from the packet and attach to furnace, air handler, or ductwork in a location visible to the homeowner.
14. Demonstrate Maintenance (Section H) and Door Operation (Section C) to the homeowner.

SIDE RETURN FURNACE INSTALLATION 14.5" & 17.5" MODELS ONLY

NOTE: The 21" and 24 1/2" air cleaner cabinet heights require a transition between the air cleaner cabinet and the Furnace in side return applications.

NOTE: Do not install the air cleaner cabinet on the side of an air handler.

NOTE: It is recommended that sheet metal turn-ing vanes be installed inside an elbow on ductwork attached to the entering airstream side of the air cleaner. See Figure 9 on Page 4.

1. See door operation Section C. Remove the PRE-FILTER, FIELD CHARGER, and both COLLECTION CELLS. Set the components aside until the cabinet is installed and the indoor unit is in place.
2. Install the self-adhesive gasket material on the side of the air cleaner cabinet flange that will mate with the indoor unit. This flange has a double set of holes. See Figure 19.
3. On a protective pad, lay the indoor unit on its side. Position the furnace with the return air side of the cabinet facing up.

4. Align the bottom of the air cleaner cabinet 1/4" ABOVE the bottom of the furnace and flush with the rear of the furnace.

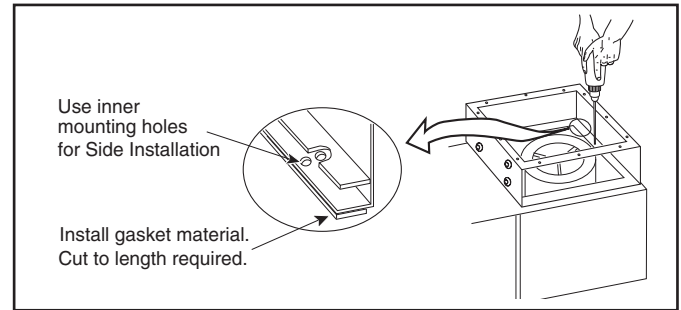


Figure 19 Side Installation Details

5. Mark the inside of the opening in the air cleaner cabinet on the side of the furnace using the inside edge of the air cleaner cabinet as a guide. Remove the cabinet and cut the opening in the side of the furnace.

NOTE: Do not use the standard furnace indents for the opening. The opening for the air cleaner must be larger than the standard furnace opening. Install transition as required for air cleaner opening to match furnace opening as described below.

6. Position the air cleaner on the return opening of the indoor unit with the air cleaner cabinet gasket against the indoor unit. Check that the front of the air cleaner cabinet is facing the front of the indoor unit.
7. Align the rear of the air cleaner flush with the rear of the indoor unit.
8. Align the sides of the cabinet with the sides of the unit.
9. The front of the cabinet will NOT align flush with the front of the unit.
10. Securely fasten the unit using the self-tapping sheet metal screws provided. See Figure 19.
11. Reinstall the FIELD CHARGER and lock into place by bending one locking tab on the cabinet. See Figure 16.
12. Reinstall the PRE-FILTER and COLLECTION CELLS.
13. Each cell must be oriented with the handles toward the front.
14. The door can be installed in **either direction**. See Door Operation Section C.

NOTE: The door has a safety switch to ensure power is interrupted when the door is removed. This switch is open when the door is removed from the cabinet. When the door is properly installed, an actuator tab located in the cabinet will close the switch, allowing power to the electronics.

15. Remove stickers (two stickers both are 5.5" x 7.5") from the packet and attach to the furnace, air handler, or ductwork in a location visible to the homeowner.
16. Demonstrate Maintenance (Section H) and Door Operation (Section C) to the homeowner.

Installer's Guide

E. ELECTRICAL CONNECTIONS

The air cleaner requires 24 VAC power and indoor fan signal to operate. A transformer adequately sized to power both the system and air cleaner is provided with the air cleaner. Remove the transformer in the indoor unit and replace with the transformer provided.

NOTE:

- A 50 VA transformer is required for Trane/American Standard Heating & Air Conditioning furnace applications.

- For Trane/American Standard Heating & Air Conditioning air handler applications, a 75 VA transformer is required. Replacement of the fuse is also needed. Remove the quick blow 5 Amp fuse and connect the supplied 3.2 Amp slow blow fuse assembly in its place.

NOTE: WHEN MORE THAN ONE WHOLE HOUSE AIR CLEANER is used, the 24 volt transformer which supplies power to the air cleaner will need to be increased by 25 VA for each additional air cleaner added.

NOTE: Trane/American Standard Heating & Air Conditioning dual circuited air handlers matched with heat pumps and Trane/American Standard Heating & Air Conditioning oil furnaces will require an accessory Transformer KIT# BAYTRANS12024♦ to power the air cleaner. Do NOT replace air handler transformer with the transformer supplied with the air cleaner.

NOTE: Provide adequate strain relief for the low voltage cable at the indoor unit.

⚠ CAUTION

DO NOT attach the power/control cable to a 120 Volt EAC tap. The air cleaner uses 24 Volt power. Failure to use 24 VAC results in permanent damage to the air cleaner.

- Plug the air cleaner power/control cable into the air cleaner door and route the cable into the indoor unit low voltage wiring location.
- Connect the power/control wiring per Figures 20 & 20A.

NOTE: Wiring penetration must be sealed.

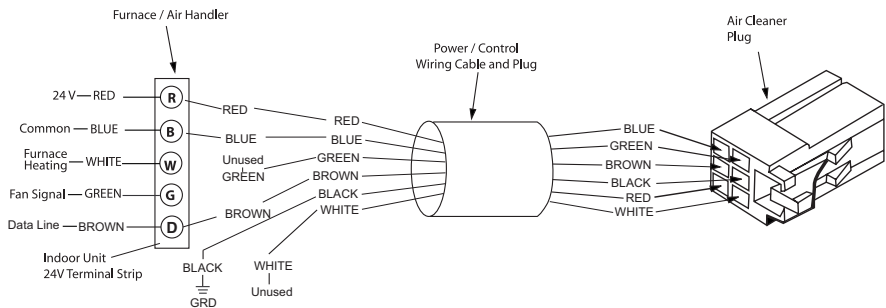
NOTE: For non-Trane/American Standard Heating & Air Conditioning systems order a 120 VAC to 24 VAC transformer, KIT# BAYTRANS12024♦ to provide 24 volt power only to the air cleaner. Access to 120 VAC outlet is required.

- Connect the power/control wiring per Figures 20 & 20A.

NOTE: Trane/American Standard Heating & Air Conditioning Communicating Furnaces require KIT # BAYACCECOMM101.

NOTE: Wiring diagrams for the Communicating Air Handler, Communicating Furnaces and Oil Furnaces are on pages 9-10, 11-13 and 14 respectively.

Figure 20 - Wiring Diagram Communicating Mode



NOTE: The Black wire must be connected to chassis ground to ensure proper operation.

Air Handler may not have a Low Voltage Terminal board. Connect Electronic Air Cleaner wires to the Air Handler Low Voltage Color coded wires.

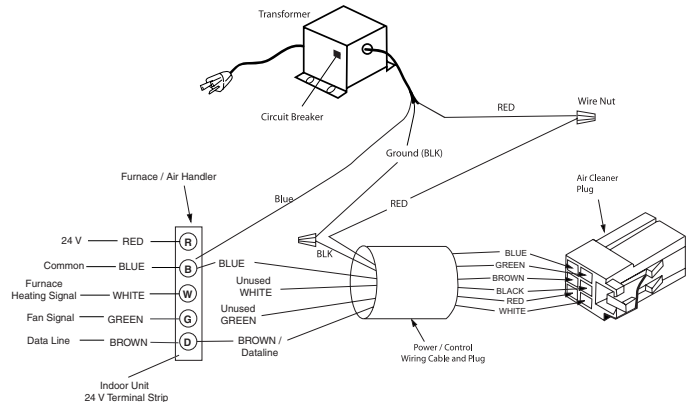
Install Transformer, one is supplied with the Electronic Air Cleaner, in the Furnace or Air Handler.

BAYTRANS12024♦ Transformer

- Transformer must have a grounded 120 VAC power source. Do not defeat ground plug on the transformer.
- Mount transformer to building structure with the four provided wood screws.

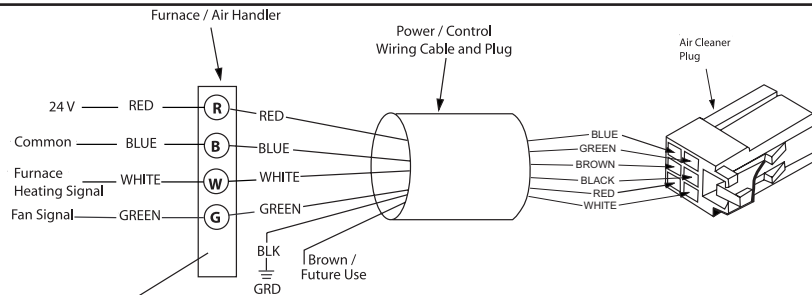
NOTE: BAYTRANS12024C complies with the California Code of Regulation, Title 20, Sections 1601 through 1608 dated December 2006. BAYTRANS12024A with vendor's manufacturing date codes after 0625 (YYWW) cannot be installed in California because the transformer does not satisfy the requirements set forth by California Code of Regulations, Title 20, Sections 1601 through 1608 dated December 2006.

Transformer not applicable to 50 Hz units.



The ♦ represents an alpha character.

Figure 20A - Wiring Diagram for 24 V Mode



NOTE: The Black wire must be connected to chassis ground to ensure proper operation.

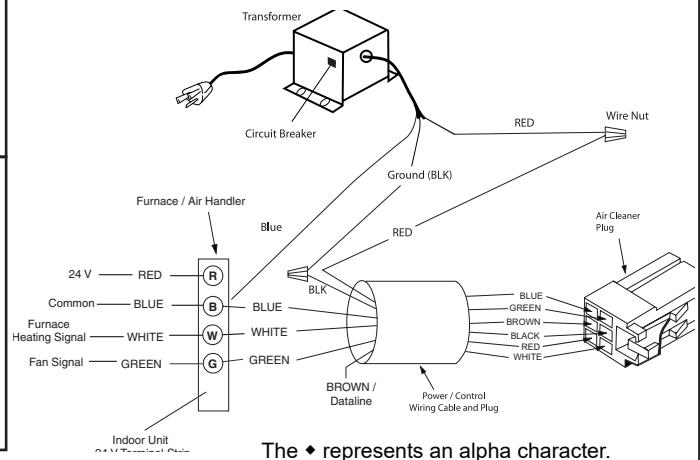
Air Handler may not have a Low Voltage Terminal board. Connect Electronic Air Cleaner wires to the Air Handler Low Voltage Color coded wires. Install Transformer, one is supplied with the Electronic Air Cleaner, in the Furnace or Air Handler.

BAYTRANS12024♦ Transformer

- Transformer must have a grounded 120 VAC power source. Do not defeat ground plug on the transformer.
- Mount transformer to building structure with the four provided wood screws.

NOTE: BAYTRANS12024C complies with the California Code of Regulation, Title 20, Sections 1601 through 1608 dated December 2006. BAYTRANS12024A with vendor's manufacturing date codes after 0625 (YYWW) cannot be installed in California because the transformer does not satisfy the requirements set forth by California Code of Regulations, Title 20, Sections 1601 through 1608 dated December 2006.

Transformer not applicable to 50 Hz units.



The ♦ represents an alpha character.

MODES OF OPERATION

The whole house air cleaner can be connected in one of two modes of operation; either a 24 V mode or a communicating mode. To know how the whole house air cleaner is set up, reference Figure 21 to find the amber light.

A steady amber light indicates that the unit is wired in the 24 V mode.

A blinking amber light indicates that the unit is wired in the communicating mode.

No light present means that the unit is not connected.

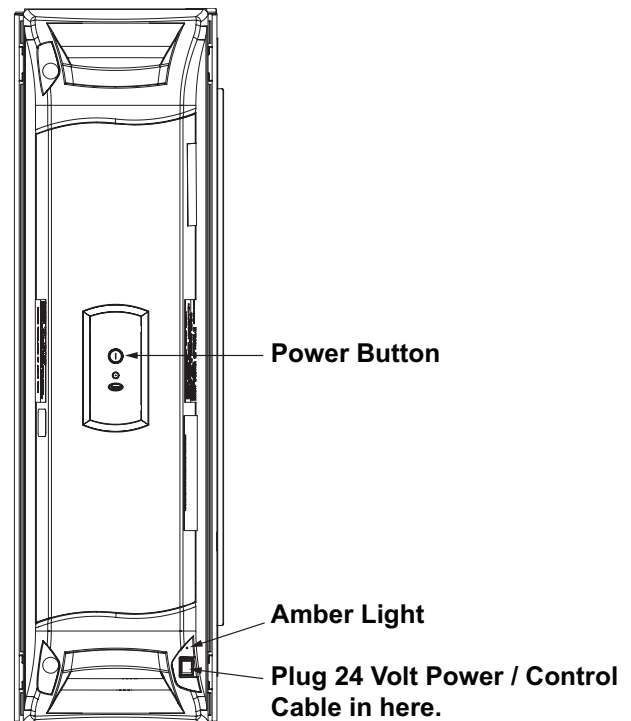


Figure 21 - Amber Light showing Mode of Operation

Installer's Guide

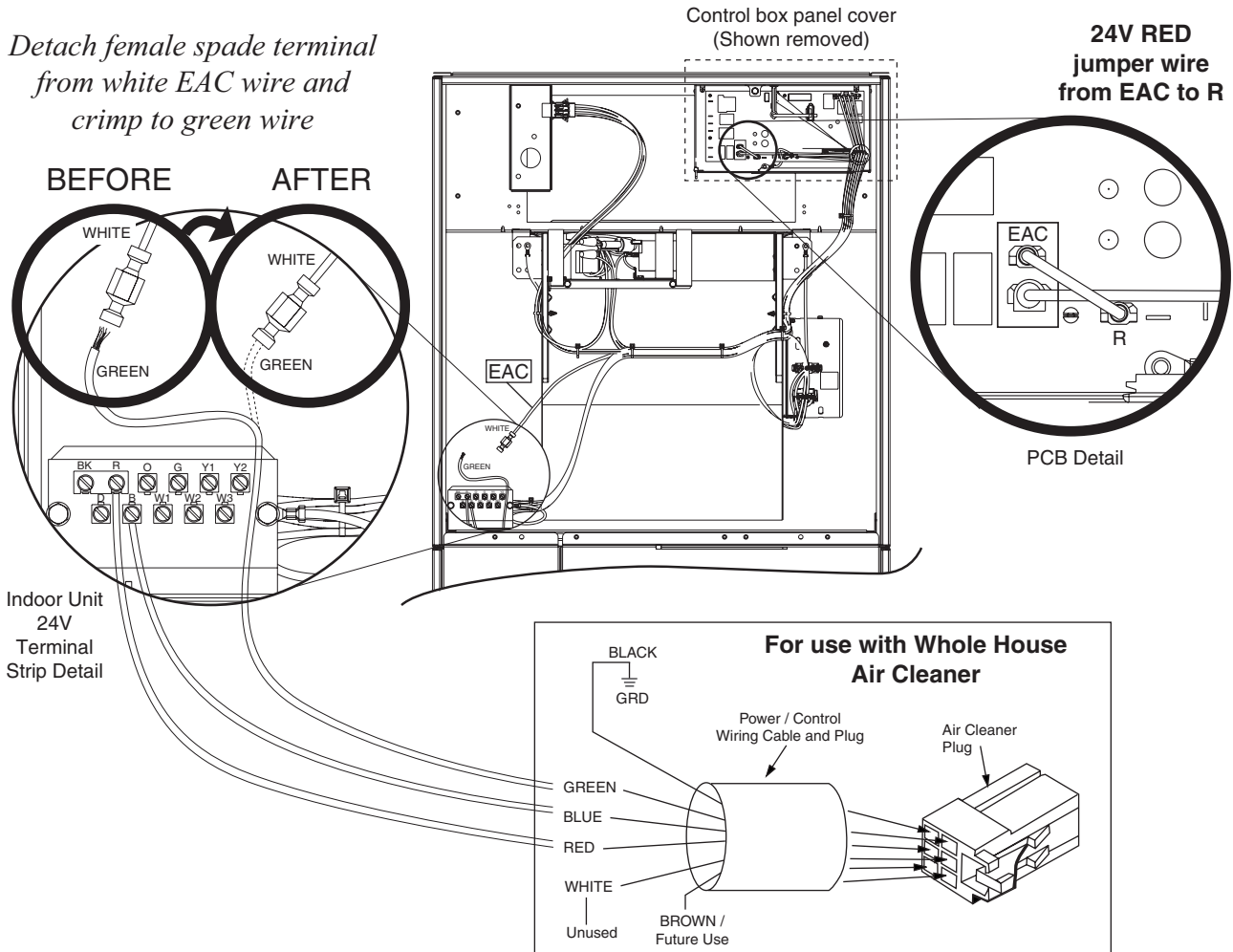
ELECTRICAL CONNECTIONS TO A COMMUNICATING SYSTEM AIR HANDLER IN CONVENTIONAL 24 V MODE

⚠ WARNING

HAZARDOUS VOLTAGE! DISCONNECT ALL ELECTRIC POWER, INCLUDING REMOTE DISCONNECTS BEFORE SERVICING. FOLLOW PROPER LOCKOUT/TAGOUT PROCEDURES TO ENSURE THE POWER CAN NOT BE INADVERTENTLY ENERGIZED. FAILURE TO DISCONNECT POWER BEFORE SERVICING COULD RESULT IN DEATH OR SERIOUS INJURY.

PROCEDURE:

- 1) Remove electrical power going into the air handler.
- 2) On the communicating systems air handler, remove the blower access panel.
- 3) Remove the communicating control box cover.
- 4) Locate the red jumper wire which is attached from EAC to R on the Communicating Systems PCB. Confirm it is connected. If there is not a jumper wire installed, then one must be installed in this location in order for the air cleaner to function properly.
- 5) Replace the Communicating control box cover.
- 6) Locate the white wire coming from the Communicating System Air Handler PCB labeled "EAC". The wire will have a male spade terminal connected to it and a female spade terminal inserted into the male terminal. Remove the female spade terminal and crimp it to the green wire on the air cleaner harness.
- 7) Connect the green wire from the air cleaner harness to the white wire on the Communicating Systems Air Handler connected to the metal air handler chassis.
- 10) Replace the blower access panel.
- 11) Reconnect electrical power to the air handler.

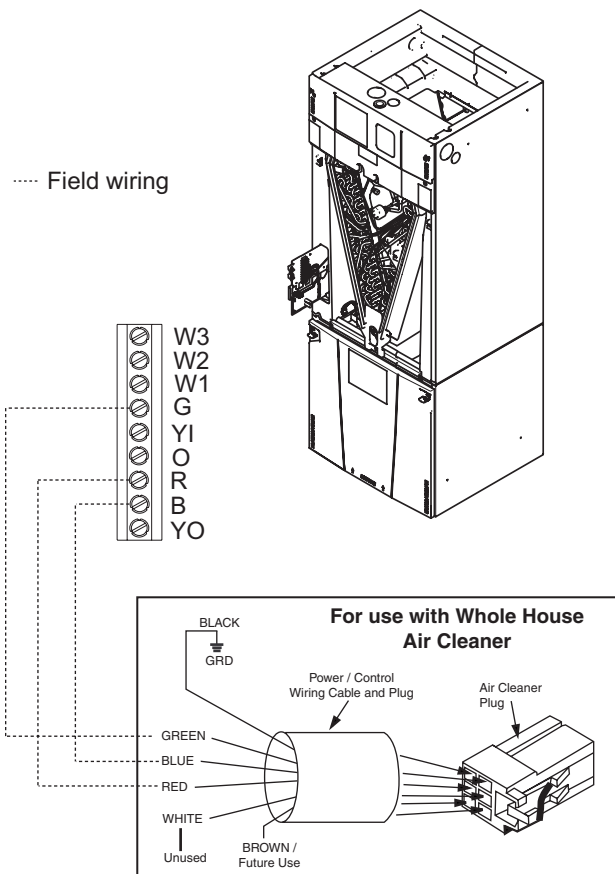


ELECTRICAL CONNECTIONS TO A STANDARD 24 VOLT AIR HANDLER

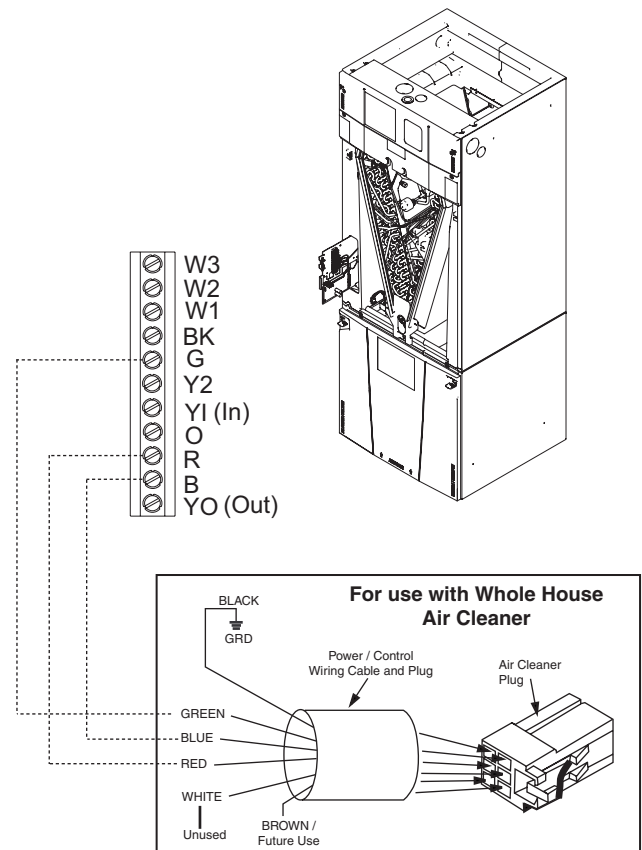
⚠ WARNING

HAZARDOUS VOLTAGE! DISCONNECT ALL ELECTRIC POWER, INCLUDING REMOTE DISCONNECTS BEFORE SERVICING. FOLLOW PROPER LOCKOUT/TAGOUT PROCEDURES TO ENSURE THE POWER CAN NOT BE INADVERTENTLY ENERGIZED. FAILURE TO DISCONNECT POWER BEFORE SERVICING COULD RESULT IN DEATH OR SERIOUS INJURY.

GAM5 / A/TAM4



A/TAM7



Installer's Guide

ELECTRICAL CONNECTIONS TO A COMMUNICATING SYSTEMS AIR HANDLER IN COMMUNICATING MODE

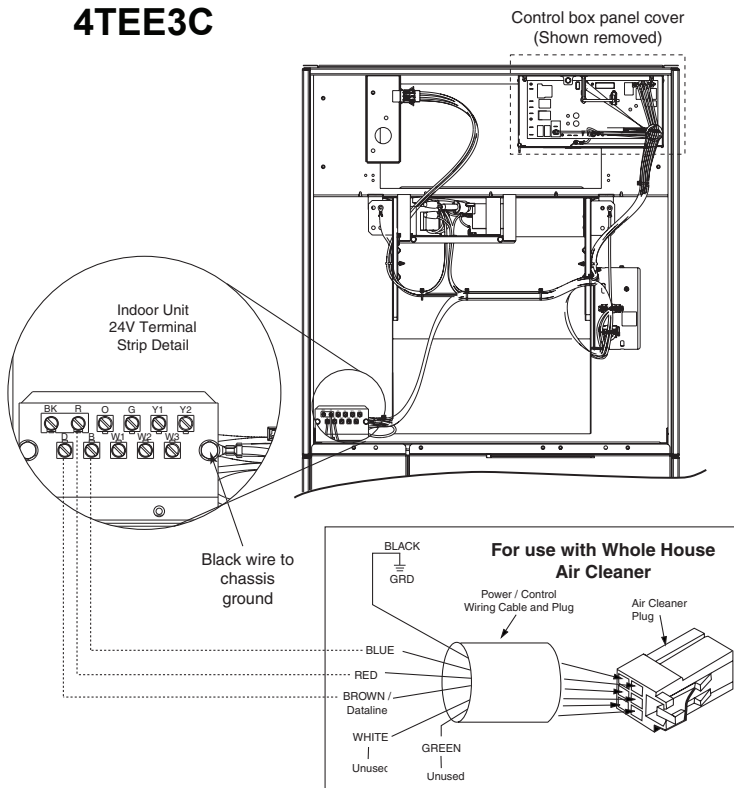
⚠ WARNING

HAZARDOUS VOLTAGE! DISCONNECT ALL ELECTRIC POWER, INCLUDING REMOTE DISCONNECTS BEFORE SERVICING. FOLLOW PROPER LOCKOUT/TAGOUT PROCEDURES TO ENSURE THE POWER CAN NOT BE INADVERTENTLY ENERGIZED. FAILURE TO DISCONNECT POWER BEFORE SERVICING COULD RESULT IN DEATH OR SERIOUS INJURY.

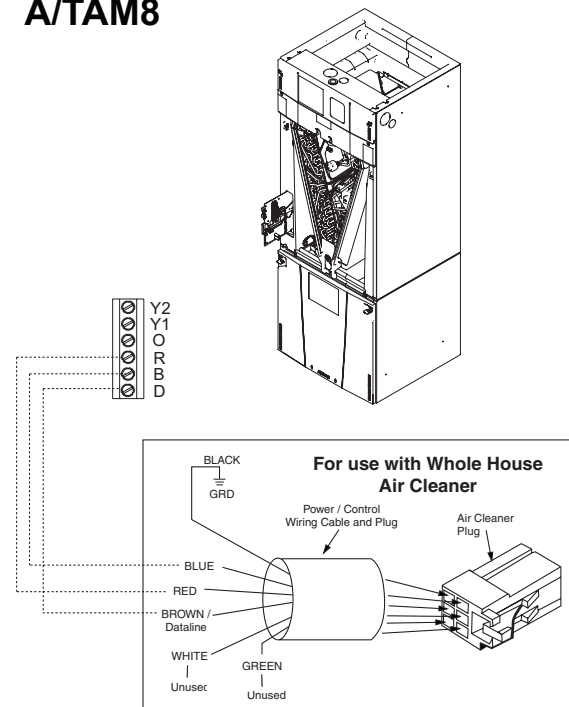
PROCEDURE:

- 1) Remove electrical power going into the air handler.
- 2) On the communicating systems air handler, remove the blower access panel.
- 3) Connect Red stripped wire to "R" terminal on the air handler terminal strip.
- 4) Connect Blue stripped wire to "B" terminal on the air handler terminal strip.
- 5) Connect the brown wire from the air cleaner harness to the "D" terminal on the Communicating Systems Air Handler.
- 6) Connect the Black wire from the air cleaner wire harness to earth ground by attaching the wire to a grounded screw that is connected to the metal air handler chassis or control plate assembly.
- 7) The Green and White wires on the air cleaner wiring harness are unused in this application and should be insulated separately.
- 8) Replace the blower access panel.
- 9) Reconnect electrical power to the air handler.
- 10) Check air cleaner and air handler operation.

4TEE3C



A/TAM8



ELECTRICAL CONNECTIONS TO A COMMUNICATING FURNACE IN 24 V MODE

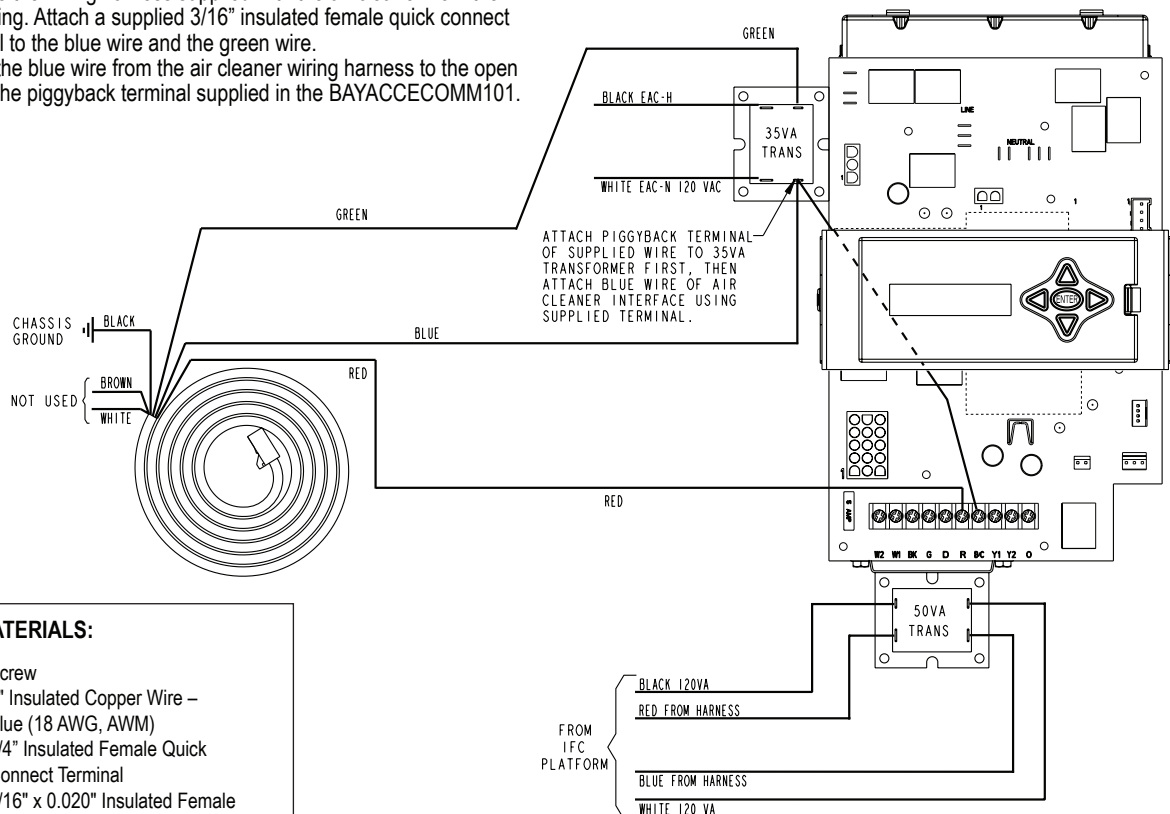
⚠ WARNING

HAZARDOUS VOLTAGE! DISCONNECT ALL ELECTRIC POWER, INCLUDING REMOTE DISCONNECTS BEFORE SERVICING. FOLLOW PROPER LOCKOUT/TAGOUT PROCEDURES TO ENSURE THE POWER CAN NOT BE INADVERTENTLY ENERGIZED. FAILURE TO DISCONNECT POWER BEFORE SERVICING COULD RESULT IN DEATH OR SERIOUS INJURY.

PROCEDURE:

1. Remove electrical power going into the furnace.
2. Remove blower door to up-flow or down-flow furnace.
3. Remove the two screws that secure the IFC platform to the underside of the blower deck on an up-flow furnace or the 3 screws that secure the IFC platform to the top panel on a down-flow furnace.
4. Carefully remove the IFC platform from the furnace.
5. On both the up-flow and down-flow furnaces, mount the 50VA transformer supplied in the packaging with the air cleaner onto the bottom of the IFC platform. Screws and pilot holes are provided. See figure.
6. Remove wiring from existing 35VA transformer and reconnect to the 50VA transformer. Note the polarity of the wires and reconnect to the appropriate terminals. See diagram.
7. Remove the EAC-H 115VAC and EAC-N wires (white and black) out of the junction box and pull them through the grommet in the blower deck. Attach two supplied 1/4" insulated female quick connect terminals by stripping the wires and crimping the terminals onto the wires. Attach these wires to the 115V terminals of the 35VA transformer as shown in the diagram.
8. Remove the wiring harness supplied with the air cleaner from the packaging. Attach a supplied 3/16" insulated female quick connect terminal to the blue wire and the green wire.
9. Attach the blue wire from the air cleaner wiring harness to the open tab on the piggyback terminal supplied in the BAYACCECOMM101.

10. Attach piggyback terminal to the 35VA transformer terminal "C" (Common).
10. Insert the 12" blue stripped wire under the terminal strip screw marked "B/C" on the IFC control board. If the application also includes an outdoor unit (communicating or non-communicating), the B/C terminal will require 3 wires connected. For this connection, rather than connecting the three wires to the low voltage terminal strip on the furnace IFC, create a pigtail using a short length of thermostat wire and a wire nut (field supplied) to attach to the B/C terminal.
11. Connect the green wire from the air cleaner wiring harness to the 24V terminal on the 35VA transformer labeled "RD". See diagram.
12. Insert the red stripped wire from the air cleaner wiring harness under the IFC control board terminal screw marked "R". See diagram.
13. Attach the black stripped wire from the air cleaner wiring harness directly to ground with a screw on the furnace chassis. See diagram.
14. Once all of the connections have been completed, remount the IFC control platform into the furnace.
15. Secure any loose wiring with wire ties.
16. The brown and white wires from the EAC wiring harness are unused in this application and should be insulated. See diagram.
17. Replace the furnace door.
18. Reconnect electrical power to the furnace.
19. Check both furnace and air cleaner operation per the furnace and air cleaner installer guides.



BILL OF MATERIALS:

QTY: 2	Screw
QTY: 1	4" Insulated Copper Wire – Blue (18 AWG, AWM)
QTY: 2	1/4" Insulated Female Quick Connect Terminal
QTY: 2	3/16" x 0.020" Insulated Female Quick Connect Terminal
QTY: 1	3/16" x 0.020" Receptacle & Tab

These instructions and listed parts are included in KIT# BAYACCECOMM101

Installer's Guide

ELECTRICAL CONNECTIONS TO A COMMUNICATING SYSTEM FURNACE

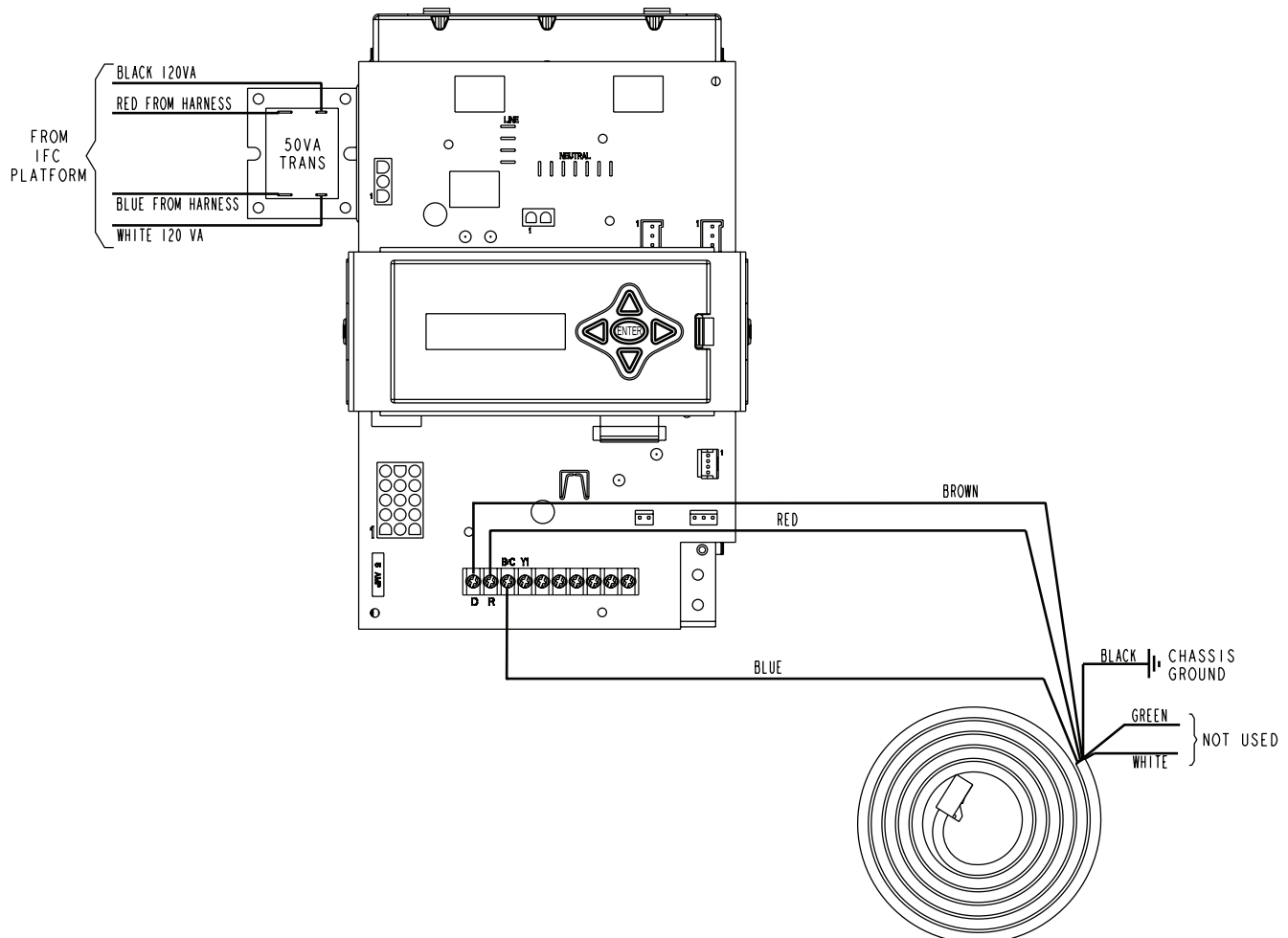
⚠ WARNING

HAZARDOUS VOLTAGE! DISCONNECT ALL ELECTRIC POWER, INCLUDING REMOTE DISCONNECTS BEFORE SERVICING. FOLLOW PROPER LOCKOUT/TAGOUT PROCEDURES TO ENSURE THE POWER CAN NOT BE INADVERTENTLY ENERGIZED. FAILURE TO DISCONNECT POWER BEFORE SERVICING COULD RESULT IN DEATH OR SERIOUS INJURY.

PROCEDURE:

1. Remove electrical power going into the furnace.
2. Open blower door to upflow or downflow furnace.
3. Disconnect all wires on the 35VA transformer.
4. Remove the 35VA transformer from the IFC platform.
5. Mount the 50 VA transformer supplied in the packaging with the air cleaner onto the IFC platform where the 35VA transformer was previously located. Use the sheet metal screws supplied with the air cleaner to mount the 50VA transformer. Reconnect the 115V and 24V wires that were connected to the 35VA transformer onto the 50 VA transformer.
6. Connect Red stripped wire to "R" terminal on the furnace control

7. board.
7. Connect Blue stripped wire to "B" terminal on the furnace control board.
8. Connect Brown stripped wire to "D" terminal on the furnace control board.
9. Attach the black stripped wire from the air cleaner wiring harness directly to ground with a screw in the chassis.
10. The green and white wires on the air cleaning wiring harness are unused in this application and should be insulated.
11. Replace door on furnace.
12. Reconnect electrical power to the furnace.
13. Check both furnace and air cleaner operation per the furnace and air cleaner installer guides.



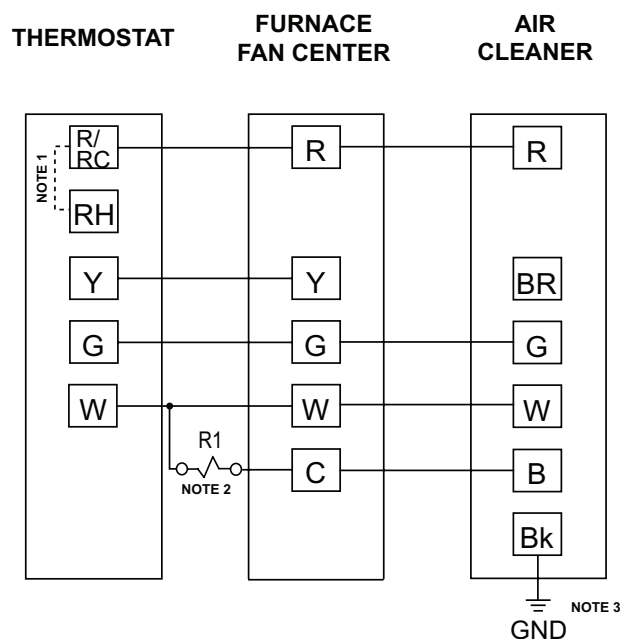
ELECTRICAL CONNECTIONS TO AN OIL FURNACE

⚠ WARNING

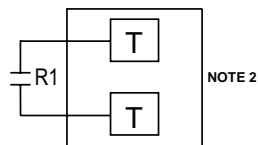
HAZARDOUS VOLTAGE! DISCONNECT ALL ELECTRIC POWER, INCLUDING REMOTE DISCONNECTS BEFORE SERVICING. FOLLOW PROPER LOCKOUT/TAGOUT PROCEDURES TO ENSURE THE POWER CAN NOT BE INADVERTENTLY ENERGIZED. FAILURE TO DISCONNECT POWER BEFORE SERVICING COULD RESULT IN DEATH OR SERIOUS INJURY.

Refer to the diagrams below for proper connections to an oil furnace. Consult the oil furnace installer's guide for additional information.

SINGLE STAGE OIL FURNACE TO AIR CLEANER

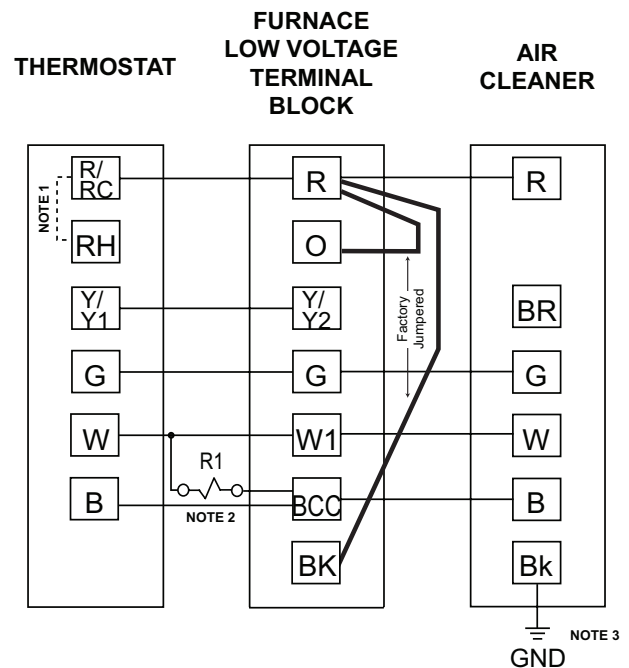


OIL BURNER PRIMARY

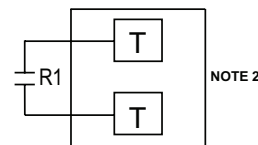


- NOTE 1:** If thermostat being used has separate RC and RH terminals, jumper RC and RH together.
- NOTE 2:** Oil burner primary TT contacts must be isolated using field supplied relay (RLY00925) or equivalent.
- NOTE 3:** The black wire (Bk) from ACCE unit must be connected to chassis ground to ensure proper operation.

VARIABLE SPEED OIL FURNACE TO AIR CLEANER



OIL BURNER PRIMARY



- NOTE 1:** If thermostat being used has separate RC and RH terminals, jumper RC and RH together.
- NOTE 2:** Oil burner primary TT contacts must be isolated using field supplied relay (RLY00925) or equivalent.
- NOTE 3:** The black wire (Bk) from ACCE unit must be connected to chassis ground to ensure proper operation.

ELECTRICAL CONNECTIONS FOR DUAL WHOLE HOUSE AIR CLEANER

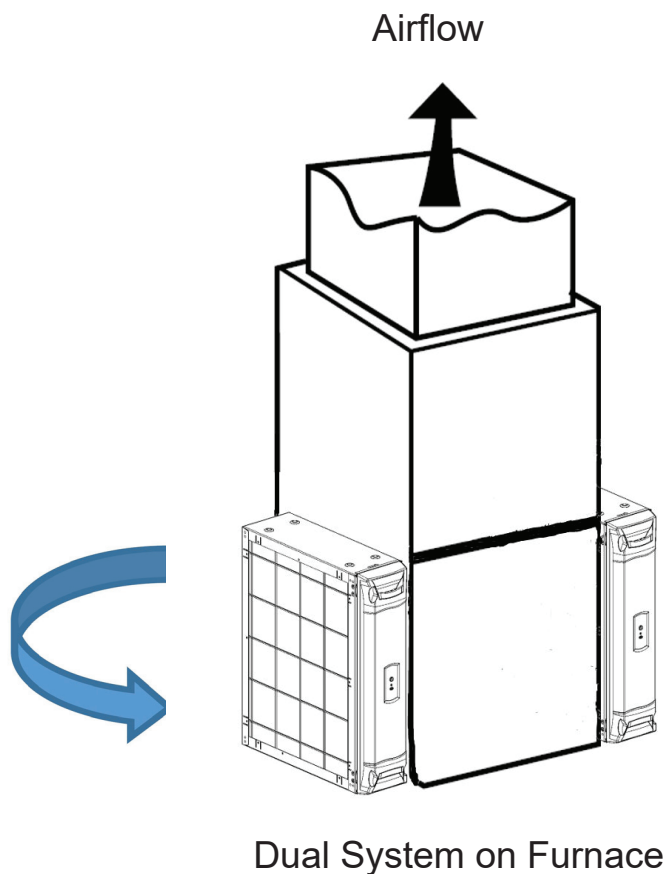
Dual Whole House Air Cleaners

In some instances, two whole house air cleaners can be utilized to manage the overall system operational static pressure. The figure below shows two whole house air cleaners installed on an upflow furnace. The 24 volt transformer which supplies power to the air cleaner will need to be increased by 25 VA for each additional air cleaner added.

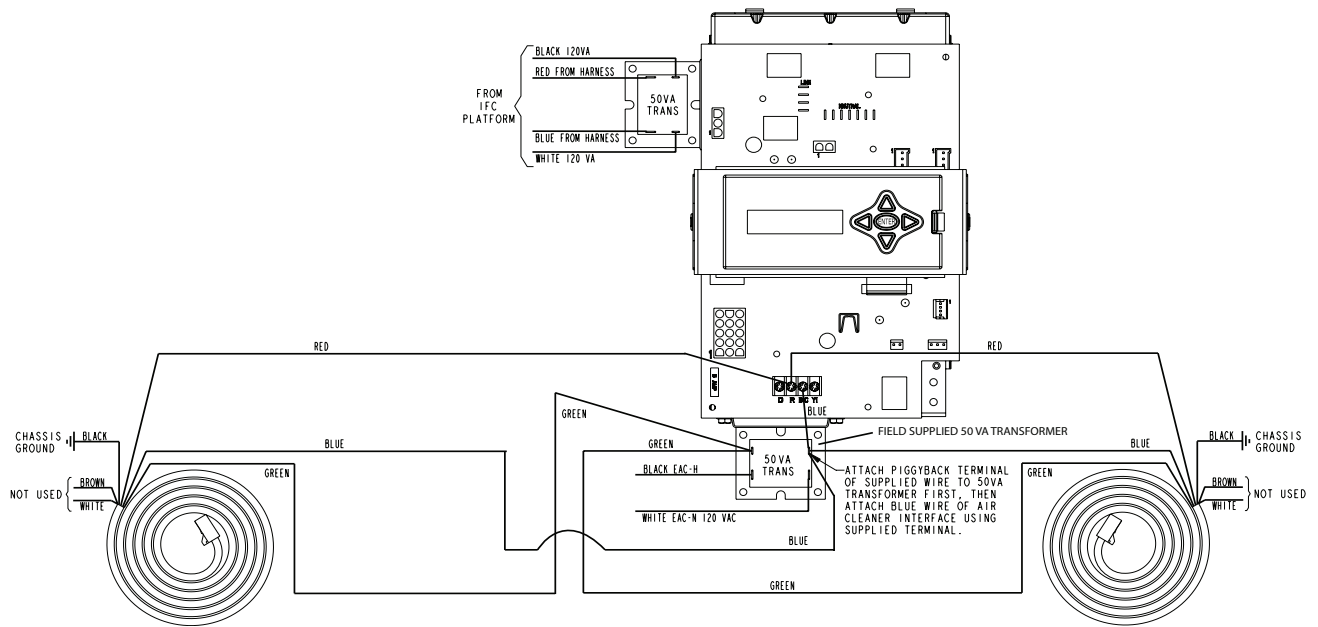
See the wiring diagrams for information on how to attach the wires in a two whole house air cleaner system. The figure on the top of page 16 shows the wiring hookup for two whole house air cleaners attached to a furnace in conventional 24 V mode.

The figure on the bottom of page 16 shows the wiring hookup for two whole house air cleaners attached to a furnace in communicating mode.

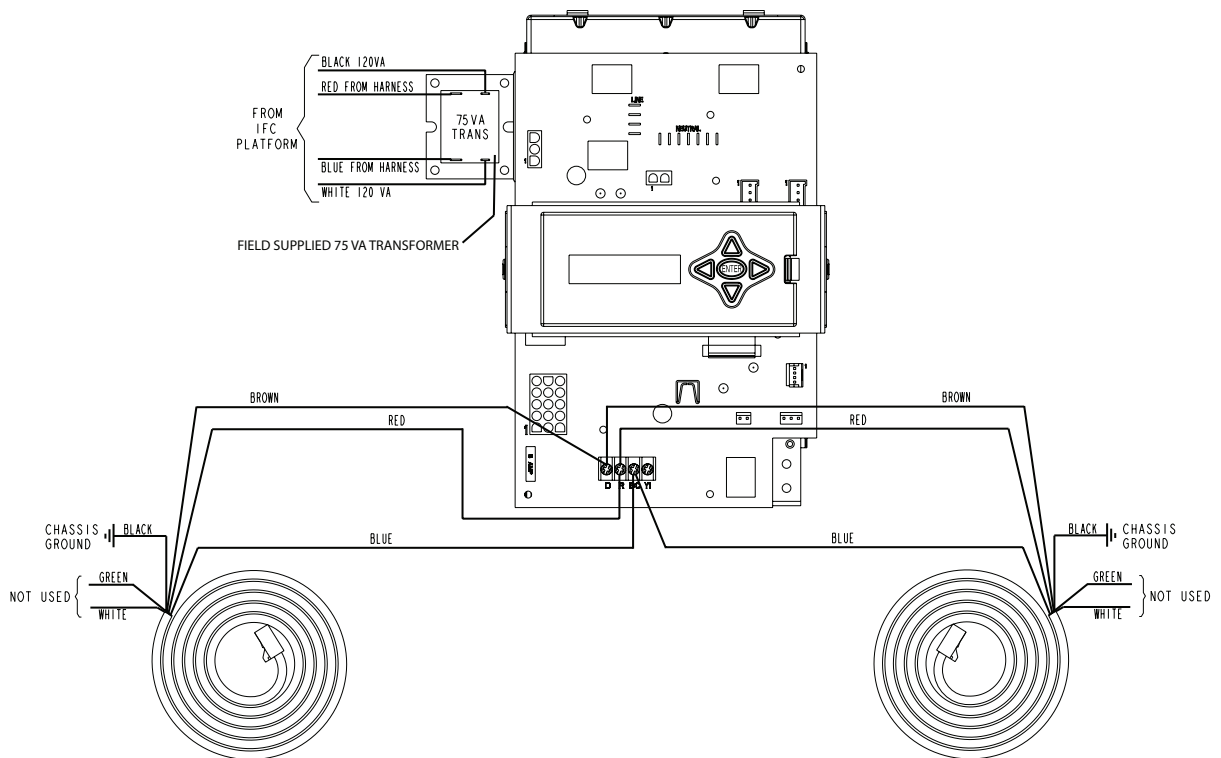
Refer to the wiring diagrams on pages 8 through 14 for guidance on wiring the whole house air cleaners to the system properly. All wires will be run the same way for each of the two whole house air cleaners.



ELECTRICAL CONNECTIONS FOR DUAL WHOLE HOUSE AIR CLEANERS AND FURNACE IN CONVENTIONAL 24V MODE



ELECTRICAL CONNECTIONS FOR DUAL WHOLE HOUSE AIR CLEANER AND FURNACE IN COMMUNICATING MODE



ELECTRICAL CONNECTIONS FOR A2L SYSTEMS (for systems that are using A2L based refrigerants)

⚠ WARNING

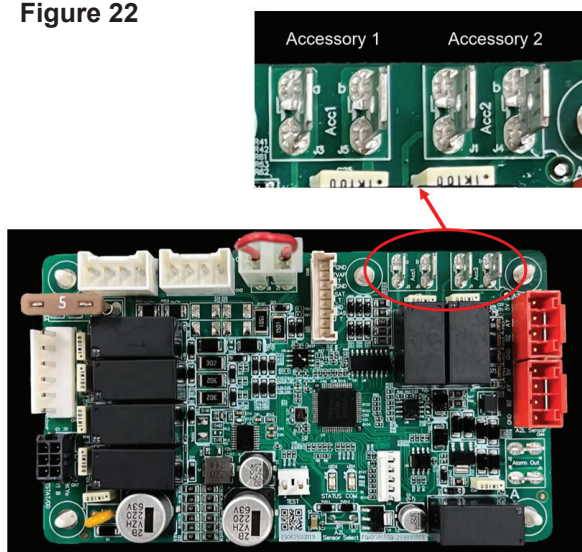
HAZARDOUS VOLTAGE! DISCONNECT ALL ELECTRIC POWER, INCLUDING REMOTE DISCONNECTS BEFORE SERVICING. FOLLOW PROPER LOCKOUT/TAGOUT PROCEDURES TO ENSURE THE POWER CAN NOT BE INADVERTENTLY ENERGIZED. FAILURE TO DISCONNECT POWER BEFORE SERVICING COULD RESULT IN DEATH OR SERIOUS INJURY.

PROCEDURE:

For systems that utilize A2L refrigerants the following procedure must be added to ensure that the electronic air cleaner shuts off when the system detects a refrigerant leak.

NOTE: For all installations with A2L refrigerants, the 24V RED from the indoor unit transformer must feed through one of the accessory terminals on the mitigation control board as shown in Figure 22.

Figure 22



1. Remove electrical power going into the furnace / air handler.
2. Remove blower door to the air handler.
3. Route the RED 24V wire from the ACCEs control harness to the location of the mitigation control board in the system. The location of the mitigation control board is shown in Figure 23.
4. Cut the RED 24V wire and attach a ¼" spade terminal.
5. Connect the spade terminal to one side of either the **Acc1** or **Acc2** terminals as shown in figure 24.
6. **Utilizing the excess RED 24V wire:** Terminate one end of the wire with a ¼" spade terminal and connect it to the other side of the accessory terminal used in step 5.

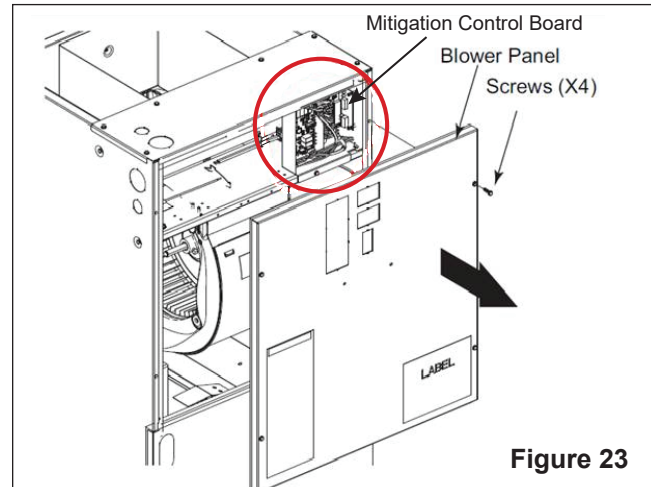


Figure 23

7. Route, terminate, and connect the remaining section of the RED 24V wire to the indoor unit transformer, as shown in Figure 24.
8. Connect the remaining wires in the ACCEs control harness following the standard wiring procedures and as per the diagrams in the installation guide.
9. Replace the air handler door.
10. Reconnect electrical power to the furnace / air handler.
11. Check both the system and air cleaner operation per the installer guides.

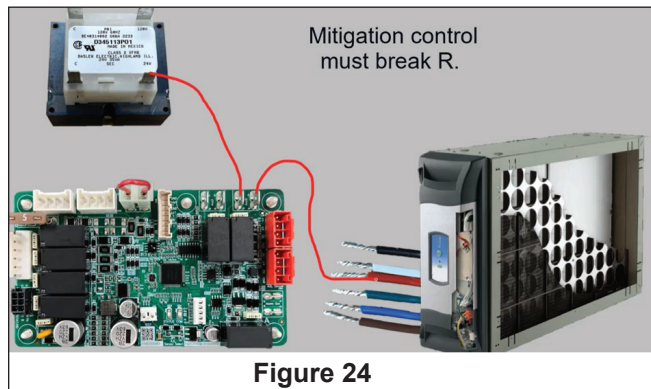


Figure 24

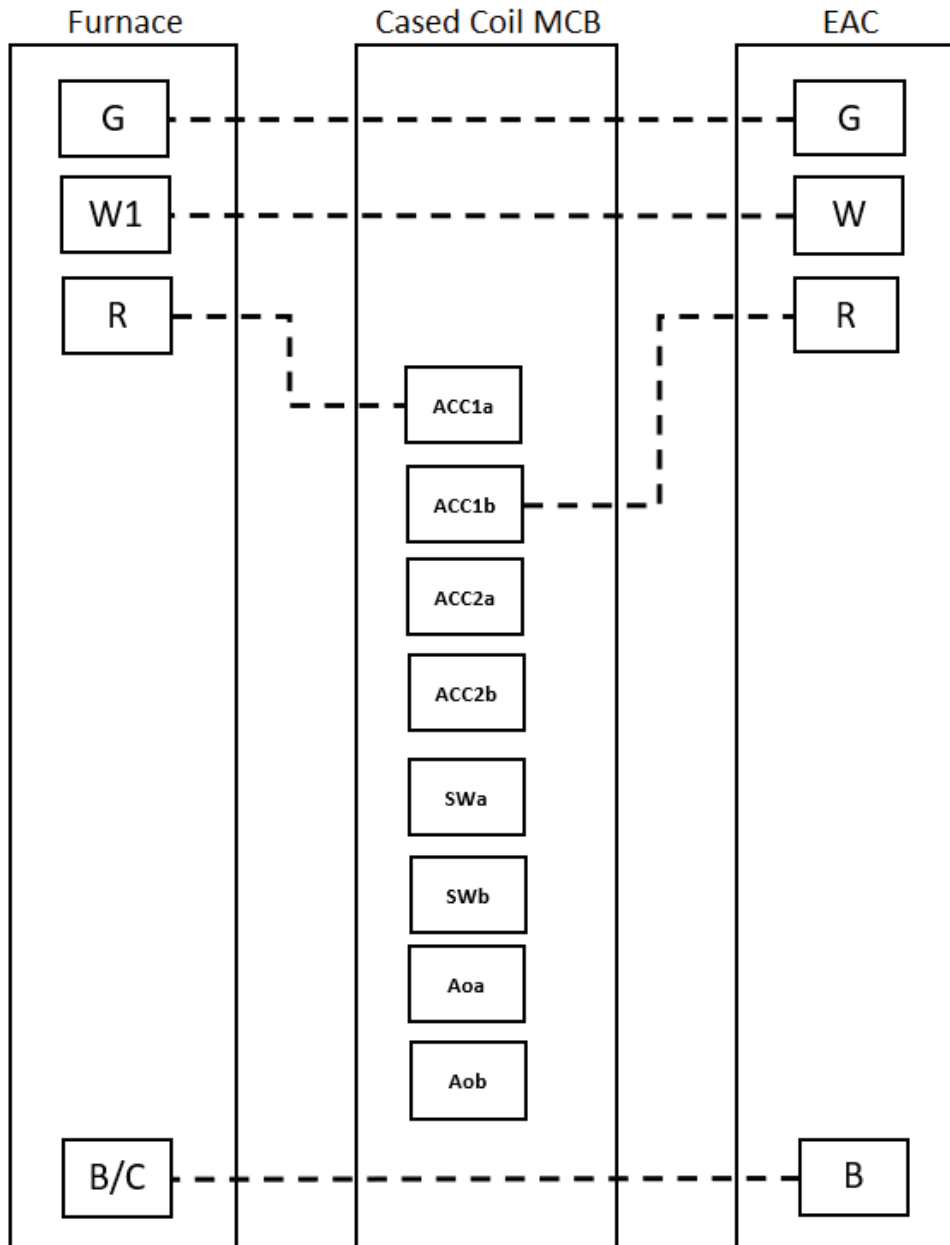
Scan the QR code to access detailed installation instructions.



SCAN ME

ELECTRICAL HOOK UP DIAGRAMS FOR A2L SYSTEMS

AccuClean or CleanEffects Air Cleaner + 24V Furnace, Typical



NOTES:

1. Installation of air cleaner will require replacement of furnace transformer. Refer to air cleaner literature.
2. For legacy 40" furnaces (models *UD, *UH, *DD, *DH), do not use EAC wire on the furnace control board. Wire as shown in this diagram.

Installer's Guide

F. AIR CLEANER OPERATION

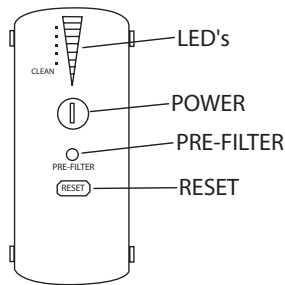


Figure 22 LED Display

CAUTION

Do NOT operate the air cleaner during construction or remodeling of a home. The air cleaner is designed for use in normal living conditions to capture small particles. The volume of dust and condensate in the presence of chlorides and fluorides from paint, varnish, stains, adhesives, cleaning compounds, and cement creates a corrosive condition which may cause rapid deterioration of the cabinet and internal components of the air cleaner and the air handler/furnace.

DISPLAY FEATURES (Figure 22)

The air cleaner display can be used for several functions:

- Provide the homeowner the operating status of the air cleaner, including an indication the PRE-FILTER or COLLECTION CELLS need cleaning.
- The installer accesses the SET-UP mode to change the time to clean settings for the PRE-FILTER and COLLECTION CELLS as well as change the Power Level setting.
- The unit will display fault codes for the homeowner indicating there is a problem with the air cleaner and various fault codes for the service technician to assist in troubleshooting the problem.

Turn the air cleaner on by pushing the POWER button. The backlit POWER and Filter RESET buttons will illuminate along with the first Green LED (G1) indicating 24 Volt power is present to the air cleaner.

When the indoor fan is operating the first LED (G1) will slowly flash. This indicates the FIELD CHARGER and COLLECTION CELLS have power and the unit is operating normally. There is a 10 [12] minute time delay between the indoor fan starting and LED (G1) flashing. In normal operation, the air cleaner makes a slight sound as the air passes through it and is cleaned. In some applications, you may notice this sound coming from the return air vent(s). If desired, this sound level can be reduced with minimal impact on air cleaning efficiency by reducing the power setting of the FIELD CHARGER in the SET-UP mode.

NOTE: There is a 10 [12] minute delay after the indoor fan operates, before the air cleaner starts to operate, each time the power to the air cleaner is turned off/on. This can be bypassed by going into and then out of the SET-UP mode.

G. SET-UP MODE

A combination of RED, YELLOW, and GREEN LED's are used to indicate the following settings. See Figure 23.

- The three GREEN LED's are used to indicate PRE-FILTER cleaning interval. This is measured in actual run time of the indoor fan. The default setting is 2 months [10 weeks]. See Figure 24.
- The four YELLOW LED's indicate the COLLECTION CELLS cleaning interval. This is measured in actual run time of the indoor fan. The default setting is 6 months [31 weeks]. See Figure 25.
- The three RED LED's indicate the Power Level setting. The default is maximum. See Figure 26.

INSTALLER SET-UP MODE

To enter the SET-UP Mode press and hold both the POWER and RESET buttons for a minimum of 5 [6] seconds. The current settings are then displayed. See Figure 23. If this is the desired setting or at any time you want to exit the SET-UP mode, press and hold BOTH the POWER and RESET buttons for a minimum of 5 [6] seconds to exit.

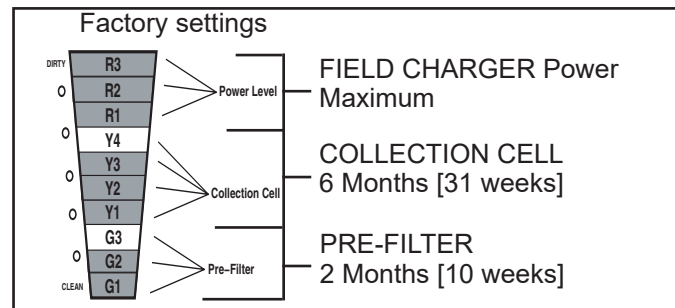


Figure 23 Factory Settings

To change any of the settings, press the POWER button once.

PRE-FILTER SETTING (Figure 24) 24V Mode Only.

One or more of the GREEN LED's will come on indicating the PRE-FILTER cleaning time setting. Repeatedly press the RESET button to cycle through the time options for the PRE-FILTER cleaning cycle until the desired setting is displayed. Press the POWER button once to accept that setting and move to the COLLECTION CELL cleaning settings.

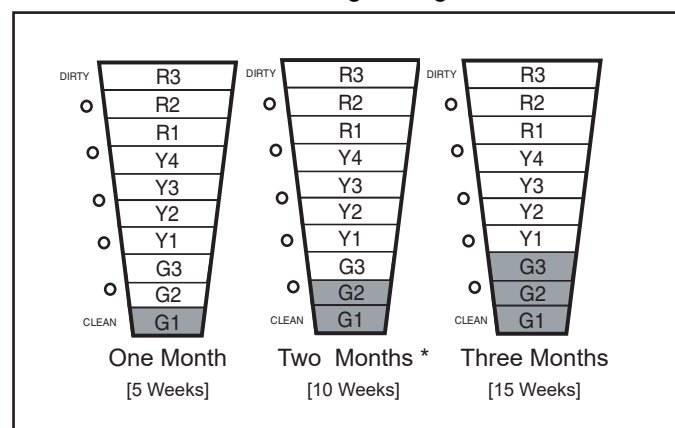


Figure 24 Green LED Pre-Filter Settings

* Factory Setting

CELL CLEANING SETTING (Figure 25)

One or more of the YELLOW LED's will come on indicating the COLLECTION CELL cleaning time setting. Repeatedly press the RESET button to cycle through the time options for the COLLECTION CELL cleaning cycle until the desired setting is displayed. Press the POWER button once to accept that setting and move to the Field Charger Power Level Settings.

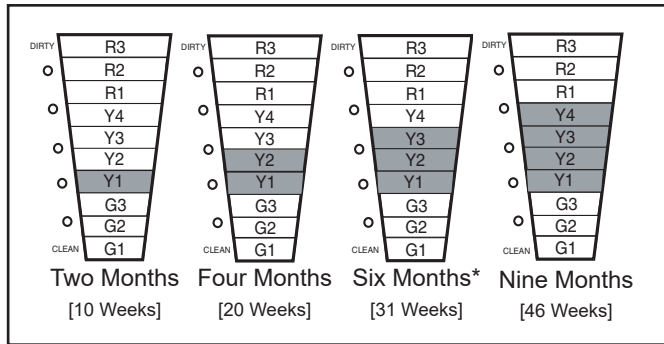


Figure 25 Yellow LED Collection Cells Settings

*Factory Setting

FIELD CHARGER POWER LEVEL

The RED LED lights are used to set the Power Level of the FIELD CHARGER for maximum, medium, or minimum. The number of illuminated RED LED lights indicates the current setting. The factory setting is for maximum.

Lower settings will reduce the slight sound emitted by the unit with minimal loss of air cleaning efficiency, if desired.

FIELD CHARGER POWER LEVEL SETTING (Figure 26)

One or more of the RED LED lights will illuminate. To change the Power Level setting, press the RESET button until the desired setting is indicated. To save your new settings and exit the SET-UP mode, press and hold BOTH the POWER and filter RESET buttons for a minimum of 5 [6] seconds.

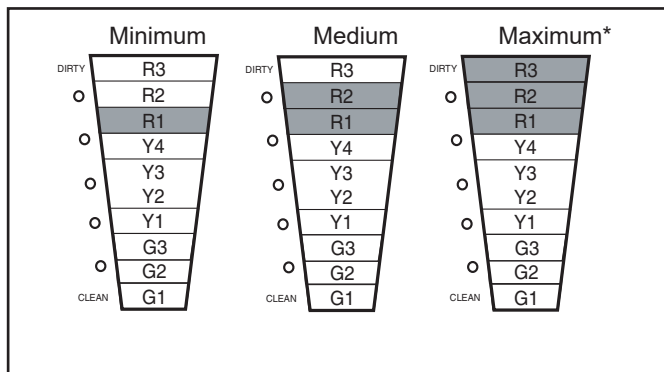


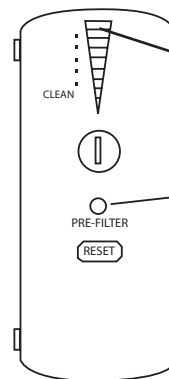
Figure 26 Red LED Power Level Settings

*Factory Setting

H. MAINTENANCE

⚠ CAUTION

Before cleaning the coil or ducts in the air handler or furnace, remove the COLLECTION CELLS, FIELD CHARGER, and PRE-FILTER from the air cleaner. Chemicals used during the cleaning of the air handler, furnace, or ductwork can damage the air cleaner components and degrade the performance of the air cleaner.



Flashing red light indicates that it is time to clean the COLLECTION CELLS

Red light indicates that it is time to clean the PRE-FILTER

Figure 27 Pre-Filter Light

For maximum efficiency, the COLLECTION CELLS and PRE-FILTER should be inspected and cleaned as prescribed in this Installer's Guide.

The FIELD CHARGER should only be removed and cleaned annually by a qualified service professional.

CLEANING

Cleaning Instructions:

The air cleaner utilizes a PRE-FILTER and COLLECTION CELLS. The purpose of the PRE-FILTER is to capture large particles before they enter the COLLECTION CELLS which allows the collection cells to work more efficiently.

1. Turn the air conditioning system off at the Comfort Control (thermostat).

⚠ WARNING

High Voltage is present within the air cleaner for operation. Before removing the Power Door, turn the power off and wait at least 15 seconds to allow voltage to discharge. Failure to follow instructions could result in death or serious personal injury.

2. Turn off power to the air cleaner by pushing and holding the POWER button for three seconds. The LED's will remain on until the voltage has discharged and it is safe to remove the door. This requires approximately 15 seconds. **Do not remove the door until all the lights are off.**
3. Disconnect the power/control cable.
4. Remove the Door Assembly from Whole Home Air Cleaner by pulling away from the unit assembly. Place on the flat and clean working surface with interior components facing up. See Figure 28.
5. Remove the PRE-FILTER (Figure 29) and/or the COLLECTION CELLS (Figure 30) from the air cleaner.

Installer's Guide

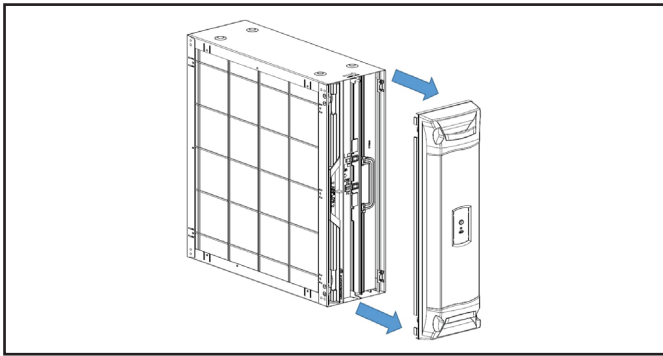


Figure 28 Rotating Door Latches

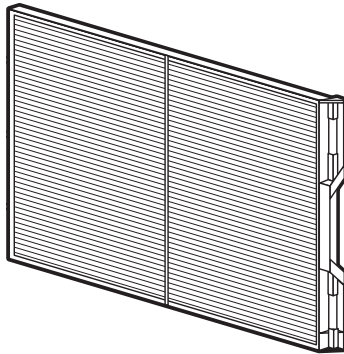


Figure 29 Pre-Filter

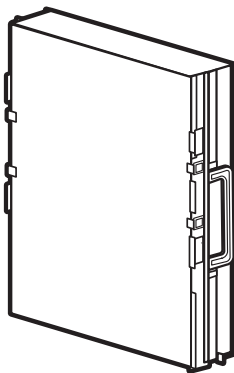


Figure 30 Collection Cells

VACUUM CLEANING

Vacuuming is the preferred method to clean the PRE-FILTER and COLLECTION CELLS. It is recommended that the PRE-FILTER and the COLLECTION CELLS be vacuumed outside the home to ensure particles on the filters are not reintroduced into the air. Persons highly sensitive to the collected particles should wear appropriate respiratory protection while cleaning.

PRE-FILTER –

It is time to clean the PRE-FILTER when the red “PRE-FILTER” light (shown in Figure 27) is illuminated.

The air cleaner is factory set to notify the home owner to clean the PRE-FILTER every two months [10 weeks] of actual run time of the air cleaner. This notification can be changed by the installer/home owner to 1 month [5 weeks] or 3 months [15 weeks] depending on the conditions in the home (pets, smokers, etc.). Please see “SET-UP MODE” (Page 13) to change the factory settings.

1. Using a vacuum hose, vacuum in even strokes across the length of the PRE-FILTER. After vacuuming the entire PRE-FILTER using even strokes going in one direction, repeat the process using even strokes going in the opposite direction as shown in Figure 31.

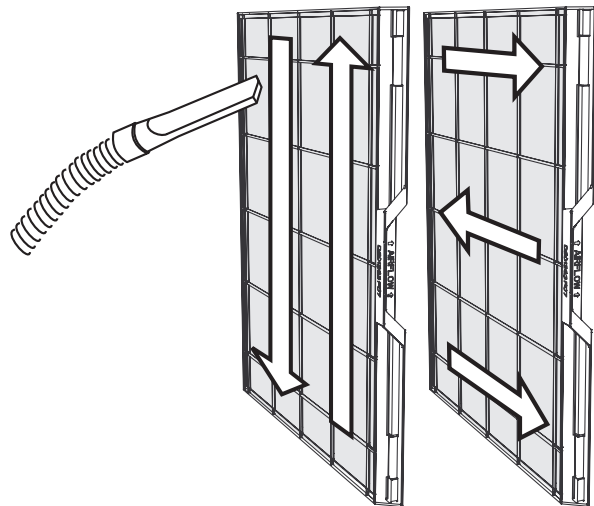


Figure 31 Vacuuming the Pre-filter

NOTE: Do NOT replace the plastic PRE-FILTER with a metal type PRE-FILTER. A metal PRE-FILTER will cause reduction in efficiency and potential failure of the electronics in the air cleaner.

COLLECTION CELLS

The clean/dirty LED light bar indicator will illuminate as the system cleans the air. The LED lights will progress from green to yellow and then to red. When the last red indicator is flashing, it is time to clean the COLLECTION CELLS (see Figure 29). The air cleaner is factory set to notify the home owner to clean the COLLECTION CELLS every six months [31 weeks] of actual run time of the air cleaner. This notification can be changed by the installer/home owner to 2 months, 4 months, 6 months, or 9 months [10, 20, 31, or 46 weeks] depending on the conditions in the home (pets, smokers, etc.). Please see “SET-UP MODE” (Page 13) to change the factory settings.

1. Using a vacuum hose, vacuum in even strokes

across the entire COLLECTION CELL surface. Vacuum using even strokes in one direction, then repeat the process using even strokes in the opposite direction, as demonstrated in Figure 32.

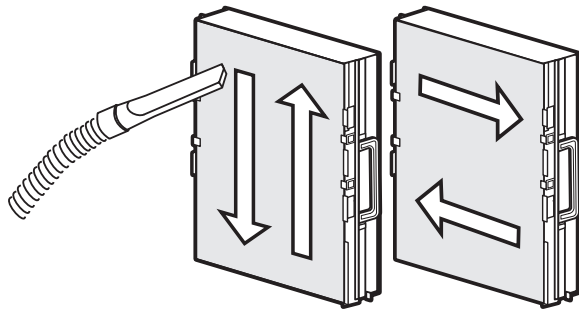


Figure 32 Vacuuming the Collection Cells

- Once vacuuming is completed on one side of the COLLECTION CELL, turn the COLLECTION CELL over and repeat on the other side of the COLLECTION CELL.

NOTE: It is normal for COLLECTION CELLS to discolor during operation. Vacuuming will not restore the COLLECTION CELLS to their original color. However, vacuuming does restore the COLLECTION CELLS to a high efficiency.

REPLACING THE PRE-FILTER AND COLLECTION CELLS INTO THE AIR CLEANER

- Replace the PRE-FILTER into the air cleaner. Ensure that the "AIRFLOW indicator arrow" on the PREFILTER is pointing in the same direction as the "AIRFLOW indicator arrow" on the air cleaner cabinet as shown in Figure 33.

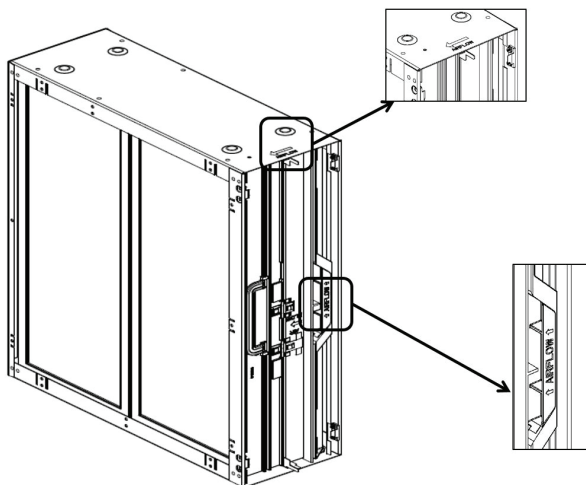


Figure 33 Airflow Direction

- Reinstall the COLLECTION CELLS into the air cleaner. Ensure the handles on both of the COLLECTION CELLS are folded flat as shown in Figure 34.

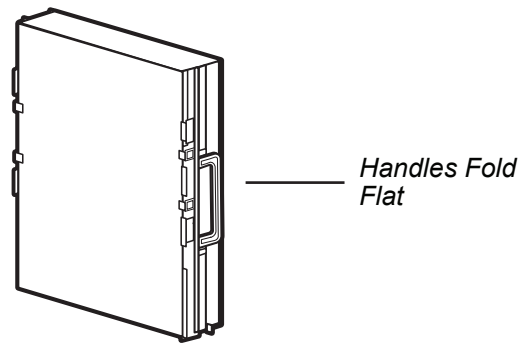


Figure 34 Collection Cell, Handle Folded

- Replace the power door onto the air Cleaner (See Section C).

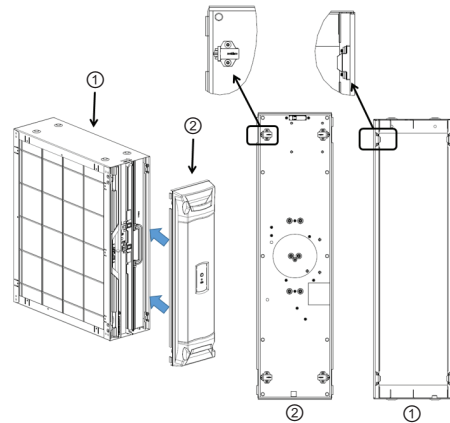


Figure 35 Reinstalling Power Door

- Ensure the power cord is plugged into the air cleaner.

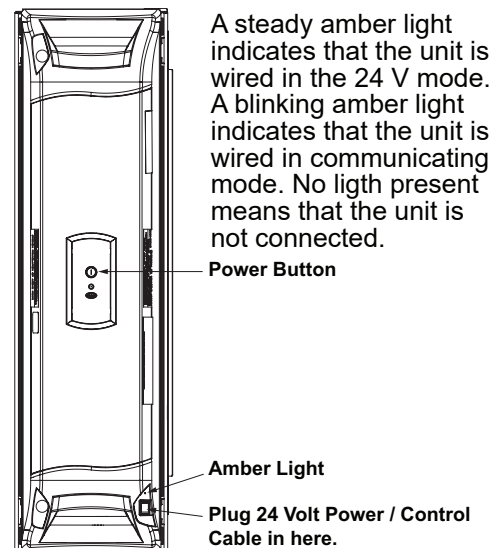


Figure 36 Pressing Power Button

- Press the power button to turn on the air cleaner.

NOTE: Once you press the power button, the first LED will be on and it will start flashing after the first 10 [12] minutes of indoor fan operation. This is normal operation.

Installer's Guide

Alternate Cleaning option for homeowners with 200 or 200-1 COLLECTION CELLS ONLY

Vacuuming the PRE-FILTER and COLLECTION CELLS restores them to a high efficiency. However, some environmental conditions, like tobacco smoke, cause the COLLECTION CELLS to need to be washed with water. Washing the COLLECTION CELLS is acceptable ONLY if the COLLECTION CELL has a "200/200-1" embossed or written on the frame in the vicinity of the manufacturing part number as shown in Figure 37.

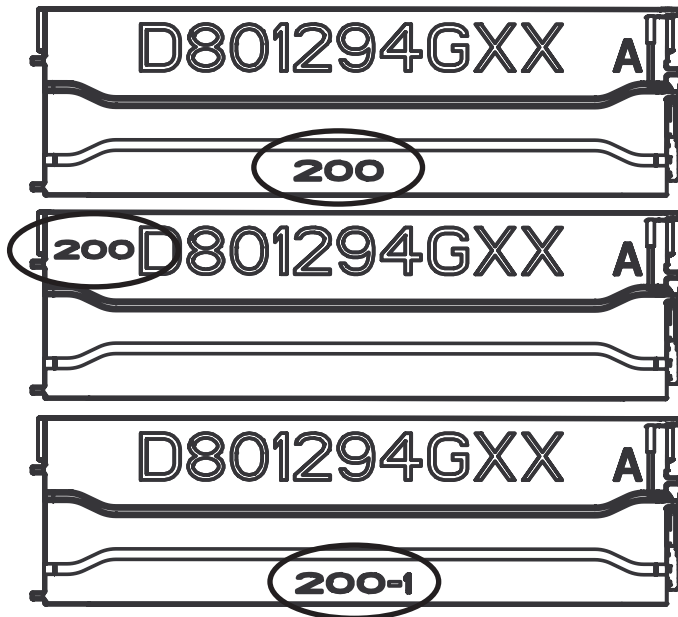


Figure 37 Collection Cell Identification

Carefully review both of the COLLECTION CELLS for the "200/200-1" mark. If the "200/200-1" mark is visible on BOTH COLLECTION CELLS, they may be washed. If the "200/200-1" mark is NOT visible, the COLLECTION CELLS **cannot** be washed.

⚠ CAUTION

Washing COLLECTION CELLS that do NOT have the "200/200-1" mark on them can result in degradation of the air cleaner system. Failure to follow instructions could result in property damages.

1. If the COLLECTION CELLS do have the "200/200-1" mark on them, they may be washed using a low pressure water spray, such as a sink sprayer or garden hose. Residue like tobacco smoke may require warm water to be removed.

- Do NOT use soap or detergent in cleaning the COLLECTION CELLS.
- Do NOT immerse the COLLECTION CELLS completely in water.
- Do NOT place the COLLECTION CELLS into a dishwasher to clean.
- **ALLOW THE COLLECTION CELLS TO DRY THOROUGHLY BEFORE INSTALLING.**

2. After washing, drain as much water as possible from the COLLECTION CELLS.
3. Holding the sides of the COLLECTION CELLS, gently tap the cells on a flat surface to dislodge any water droplets inside the COLLECTION CELLS. After tapping, wipe down the surfaces of the COLLECTION CELLS to remove any visible droplets of water.

Tap
Gently

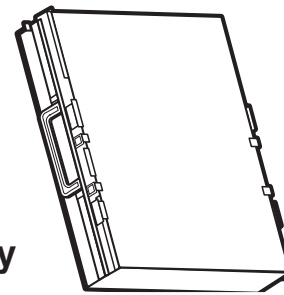
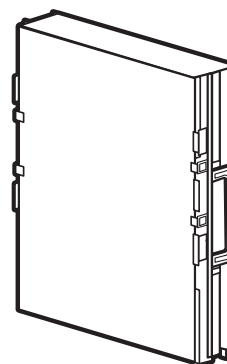


Figure 38 Collection Cell

4. When there are no visible water droplets left in the COLLECTION CELLS, reinstall them into the air cleaner cabinet. Be sure to fold the COLLECTION CELL handles flat as shown in Figure 39.



Handles Fold
Flat

Figure 39 Collection Cell, Handle Folded

- Replace the power door onto the air Cleaner (See Section C.)

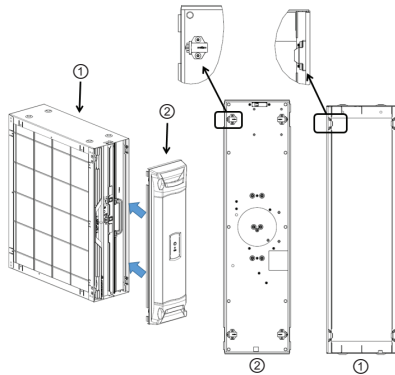


Figure 40 Reinstalling Power Door

- Ensure the power cord is plugged into the air cleaner.

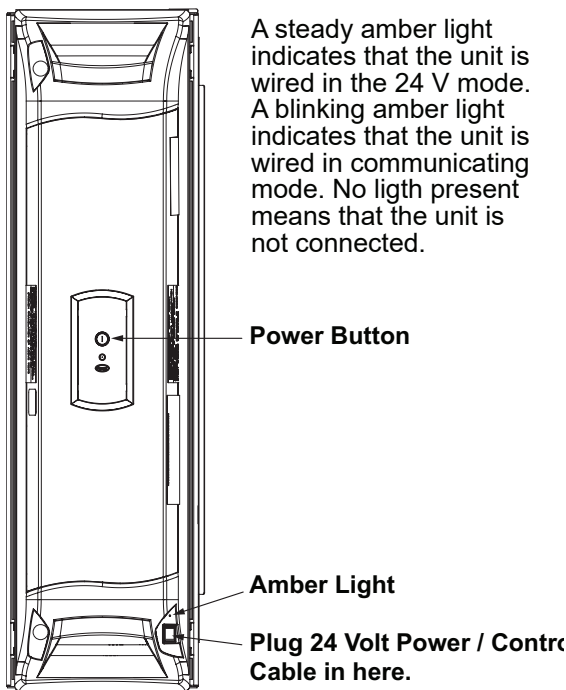


Figure 41 Pressing Power Button

NOTE: Once you press the power button, the first LED will be on and it will start flashing after the first 10 [12] minutes of indoor fan operation. This is normal operation.

- On the Comfort Control (thermostat), reset the indoor fan operation to the desired mode. Turn the air system back on at the Comfort Control.

NOTE: The field charger should never be subjected to water. The field charger should only be cleaned by a trained service professional.

NOTE: The pre-filter may also be washed **ONLY** if the **COLLECTION CELLS** show a "200/200-1". Follow the same instructions to wash the **PRE-FILTER** - being sure to tap gently and wipe off any visible water droplets.

RESET TIMERS

When installed as part of a Communicating System with a 900 series comfort control, the filter timer can be reset at either the Comfort Control or the air cleaner.

To reset the PRE-FILTER timer at the comfort control Select Filter 1 Change Reminder, then press the More key to access the filter timer value and then press the Reset key. For additional information please refer to the Installers Guide and/or Service Facts for the 900 Series control.

To reset at the air cleaner press and hold the RESET key until the PRE-FILTER LED turns off (1 to 2 seconds).

To reset the Collection Cell timer at the Comfort Control select Filter 2 Change Reminder, then press the More key to access the filter timer value and then press the Reset key.

To reset the Collection Cell timer at the air cleaner press and hold the RESET key until the COLLECTION CELL LED turns off (1 to 2 seconds).

If two air cleaners are connected on the same system, reset all timers on both air cleaners at the same time to the same settings. The comfort control will only report one air cleaner timer and this methodology will allow the air cleaners to remain on the same cleaning schedule. Reset the filter timer at the comfort control using the instructions given above.

FAULT CODES

The air cleaner LED's will display a fault indication, three Yellow or three Red LED's, when a fault has been detected. A log of the last three faults is recorded and can be accessed by going into the Set-Up mode. The unit will repetitively check the system to determine if the fault persists. The fault indication will be displayed as long as the fault condition remains.

If the fault is no longer present, the system will return to normal operation and no longer display the fault indication. Even if the fault has been cleared, a log of the last 3 faults is recorded.

NOTE: *If more than one whole house air cleaner is installed, each unit will retain its own fault codes.*

REPETITIVE ARC FAULT INDICATION

If the unit detects 10 consecutive run cycles where an arc occurs during the cycle, it will go into a lock out period for one hour. This is indicated by three FLASHING YELLOW LED's. The PRE-FILTER and COLLECTION CELLS should be cleaned to ensure no large material is trapped in the filters and causing the fault. Check the FIELD CHARGER for material that can cause the fault.

If the unit detects any other type of fault, this will be indicated by three FLASHING RED LED's. See the Service Facts for fault code information.

Installer's Guide

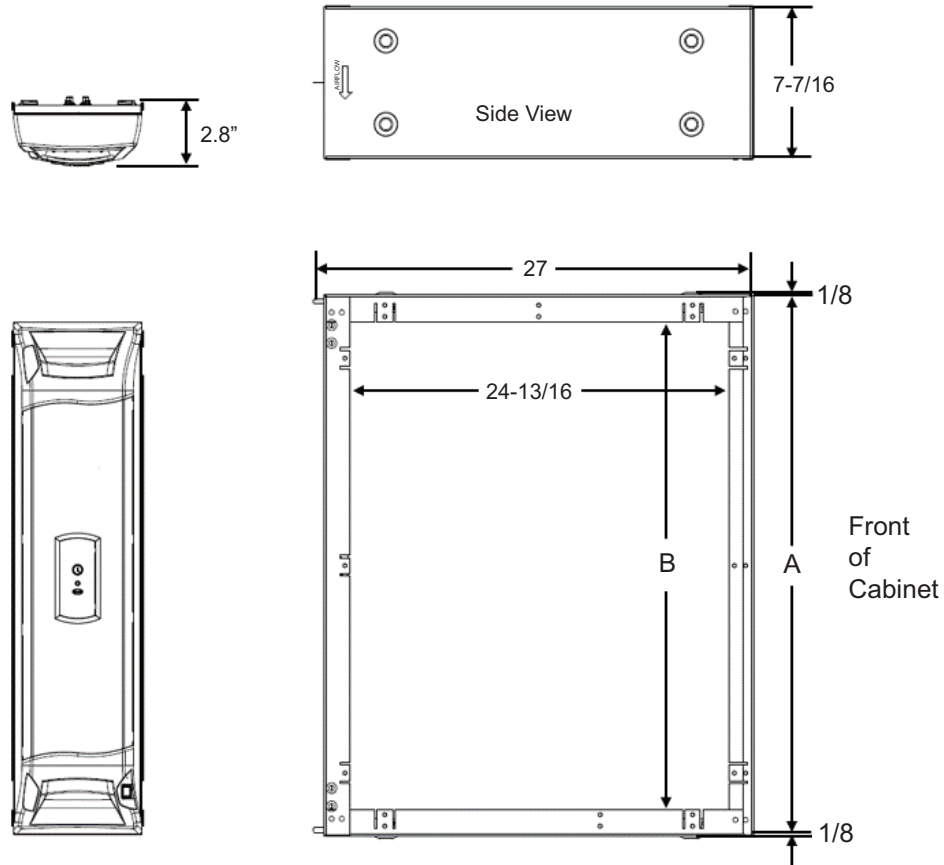
I. OUTLINE DRAWINGS

Dimensions

(all dimensions in inches)

OUTLINE DRAWING FOR UPFLOW FURNACES

27" DEPTH CABINET
ADD DOOR DEPTH FOR TOTAL



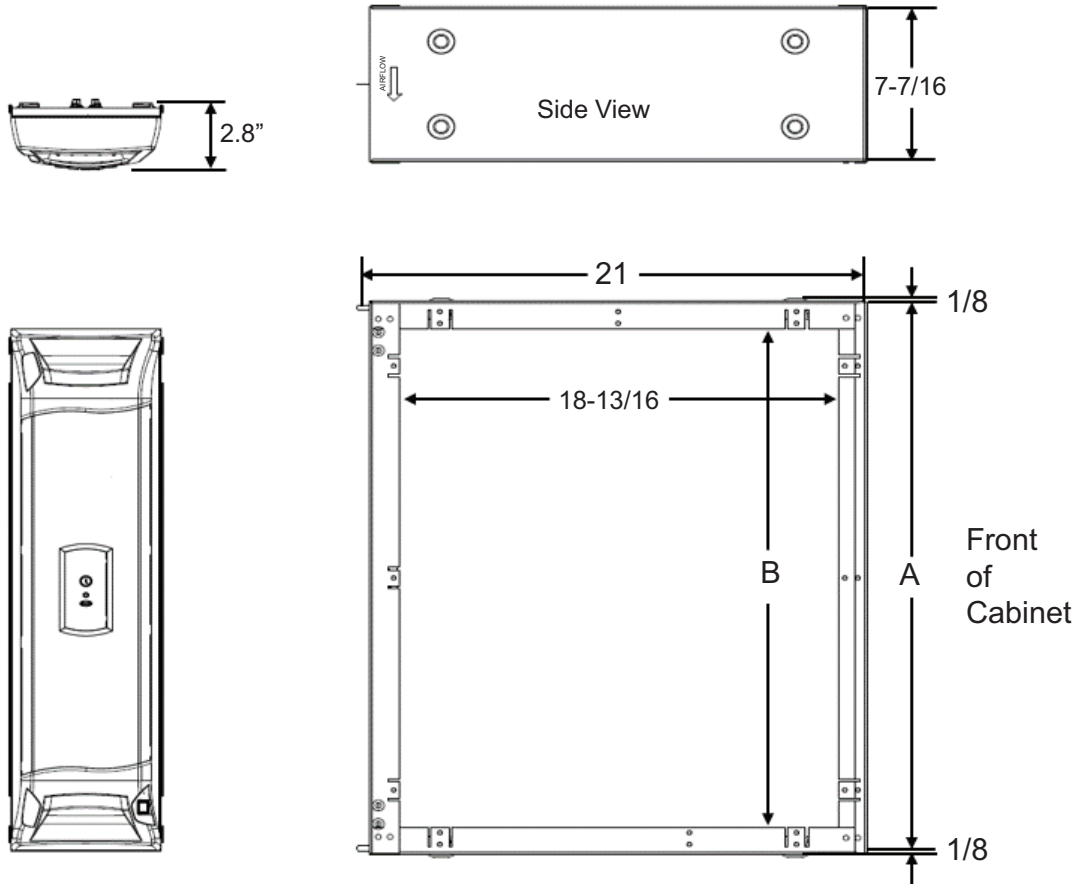
UPFLOW FURNACE MODEL NUMBERS			
ifD Air Cleaner	A	B (multiple piece cabinet)	B (one piece cabinet)
EFD145CLFR000E	14.5	11.9	12
EFD175CLFR000E	17.5	14.9	15
EFD210CLFR000E	21.0	18.4	18.5
EFD245CLFR000E	24.5	21.9	22

Dimensions

(all dimensions in inches)

OUTLINE DRAWING FOR DOWNFLOW FURNACES

21" CABINET DEPTH
ADD DOOR DEPTH FOR TOTAL



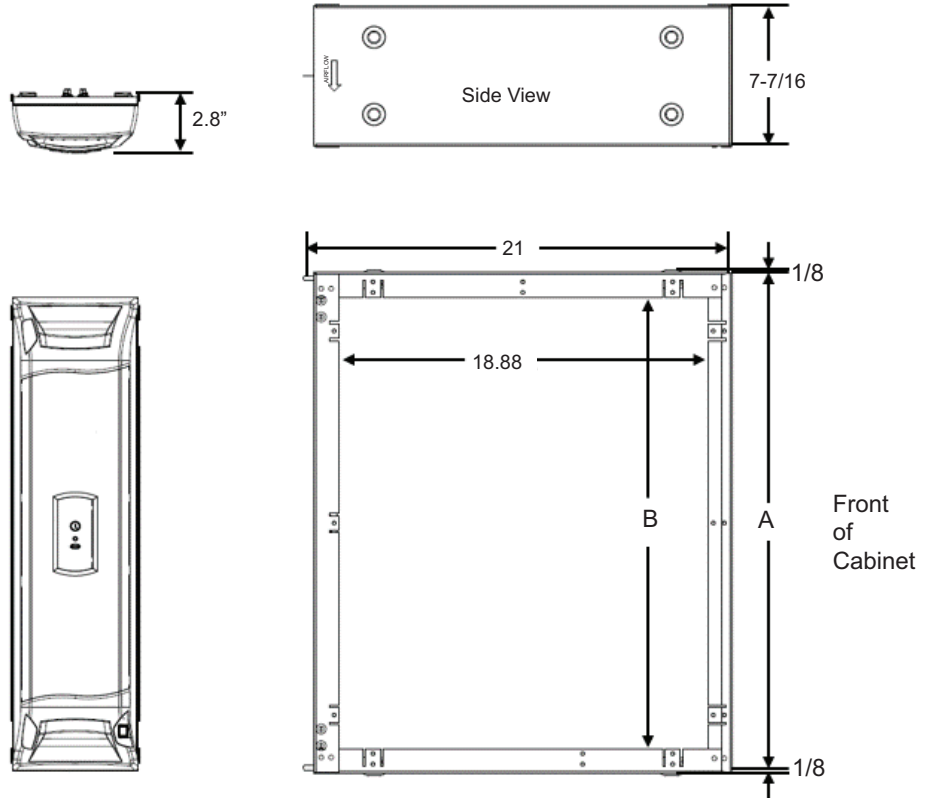
DOWNFLOW FURNACE MODEL NUMBERS			
ifD Air Cleaner	A	B (multiple piece cabinet)	B (one piece cabinet)
EFD17DCLFR000E	17.5	14.9	15
EFD21DCLFR000E	21.0	18.4	18.5

Dimensions

(all dimensions in inches)

OUTLINE DRAWING FOR AIR HANDLERS

21" DEPTH CABINET
ADD DOOR DEPTH FOR TOTAL



AIR HANDLER MODEL NUMBERS			
ifD Air Cleaner	A	B (multiple piece cabinet)	B (one piece cabinet)
EFD175CLAH000E	17.5	14.9	15
EFD215CLAH000E	21.5	18.9	19
EFD235CLAH000E	23.5	20.9	21
EFD260CLAH000E	26.0	23.4	23.5

J. PRESSURE DROP INFORMATION

PRESSURE DROP AT SPECIFIC AIRFLOW PER MODEL									
	400 CFM	600 CFM	800 CFM	1000 CFM	1200 CFM	1400 CFM	1600 CFM	1800 CFM	2000 CFM
EFD145DLFR000**	0.06	0.10	0.16	0.23	0.30				
EFD175DLFR000**	0.05	0.08	0.12	0.17	0.22	0.28	0.34		
EFD210DLFR000**	0.04	0.06	0.09	0.12	0.15	0.20	0.24	0.29	0.34
EFD245DLFR000**	0.03	0.04	0.06	0.09	0.12	0.15	0.19	0.22	0.26
EFD17DDLFR000**	0.07	0.11	0.18	0.25	0.33	0.42			
EFD21DDLFR000**	0.05	0.09	0.13	0.18	0.23	0.29	0.37		
EFD175DLAH000**	0.07	0.11	0.18	0.25	0.33				
EFD215DLAH000** TFD215CLAH005E	0.04	0.08	0.12	0.17	0.24				
EFD235DLAH000** TFD235CLAH005E	0.06	0.09	0.13	0.18	0.23	0.29	0.35		
EFD260DLAH000** TFD260CLAH005E	0.04	0.07	0.10	0.14	0.18	0.23	0.28	0.34	0.39

About Trane and American Standard Heating and Air Conditioning
Trane and American Standard create comfortable, energy efficient indoor environments for residential applications.
For more information, please visit www.trane.com or www.americanstandardair.com



Intertek

The manufacturer has a policy of continuous data improvement and it reserves the right to change design and specifications without notice. We are committed to using environmentally conscious print practices.

18-HE122D1-1A-EN 30 Jan 2024
Supersedes 18-HE122D1-1-EN (July 2020)

© 2024