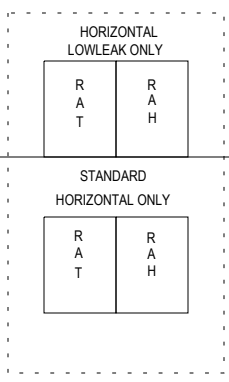
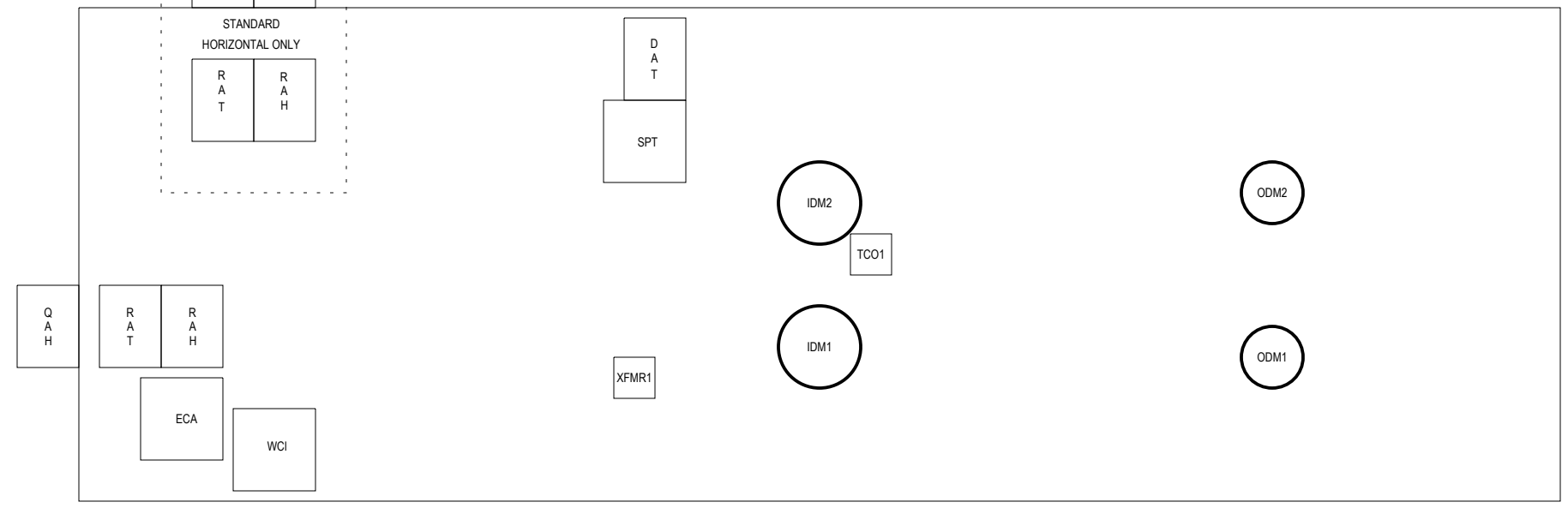


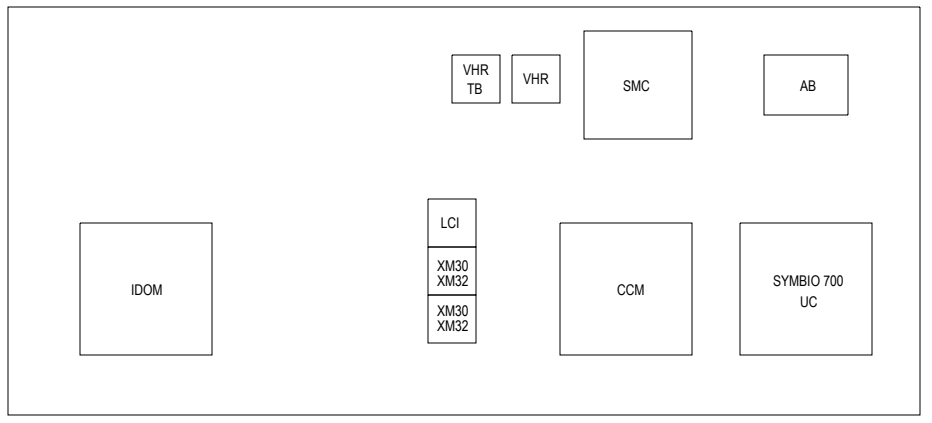
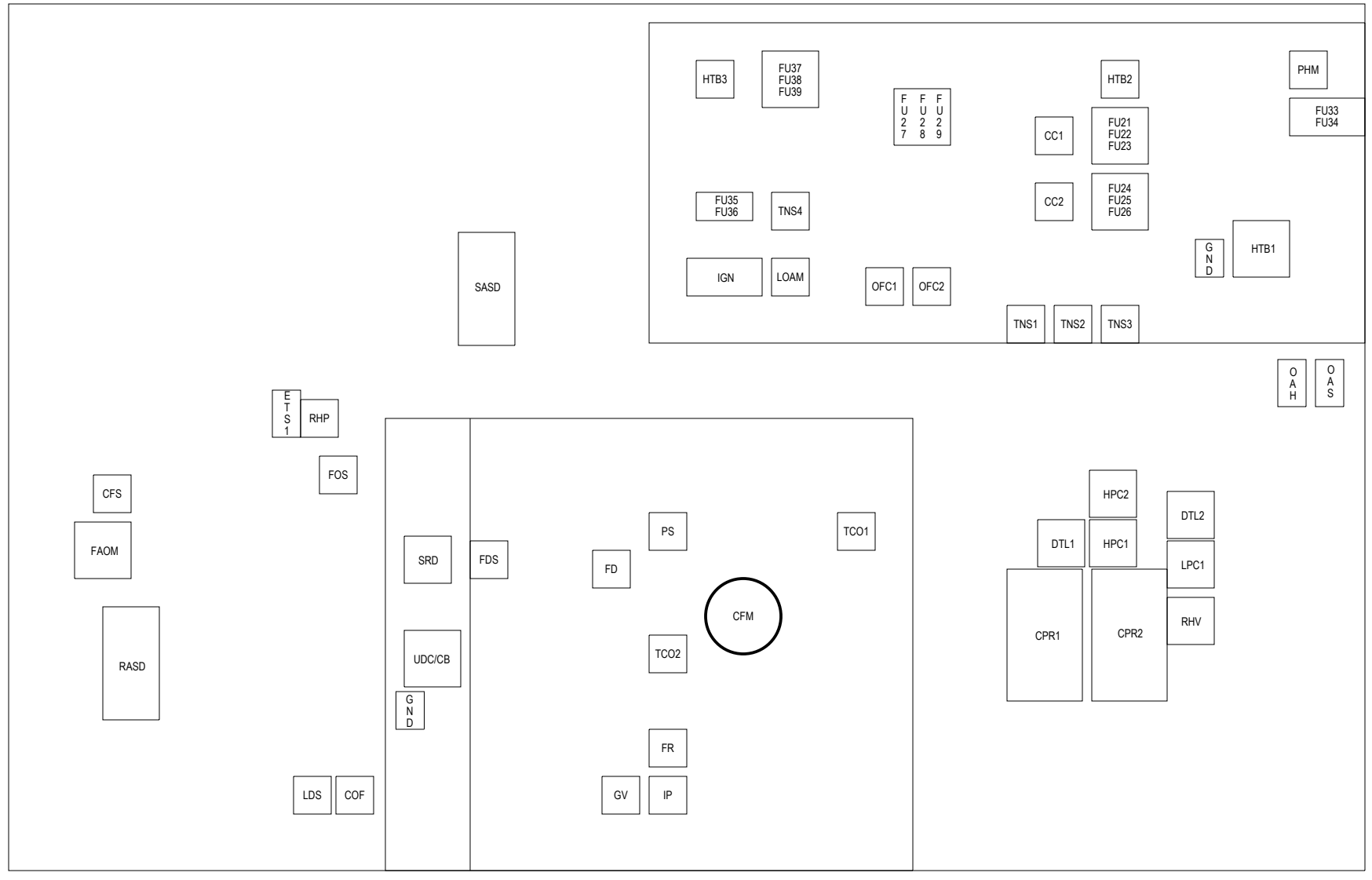
1
2
3
4
5
6
7
8
9
10
11
12
13
14
15
16
17
18
19
20
21
22
23
24
25
26
27
28
29
30
31
32
33
34
35
36
37
38
39
40
41
42
43
44
45
46
47
48
49
50
51
52
53
54
55
56
57
58
59
60



TOP VIEW



SIDE VIEW



- NOTES:
 1. SOME COMPONENTS SHOWN ARE OPTIONAL AND MAY NOT BE PRESENT. SEE UNIT SCHEMATIC FOR OPTIONAL UNIT CONFIGURATION
 2. MAIN CONTROL BOX LOW VOLTAGE COMPONENTS ARE LOCATED ON HINGED PANELS. OUTER PANEL VIEW SHOWN TO THE RIGHT

DESIGNER:	M. DERNOVSEK
ENGINEER:	D. SHELTON
TRANE © DATE:	30-NOV-2023
REPLACES:	--
SIMILAR TO:	--
REVISION DATE:	8-APR-2024
REVISED BY:	M. DERNOVSEK
APPROVED BY:	--
CAD SYSTEM USED:	CREO SCHEMATICS

TRANE®
 THIS DRAWING IS PROPRIETARY AND SHALL NOT BE COPIED OR ITS CONTENTS DISCLOSED TO OUTSIDE PARTIES WITHOUT THE WRITTEN CONSENT OF TRANE.

PRECEDENCT
 DIAGRAM
 COMPONENT LOCATION
 GAS, D CABINET

MASTER NUMBER:	DRAWING NUMBER:	SHEET:	REV
--	12134855	1 OF 1	B