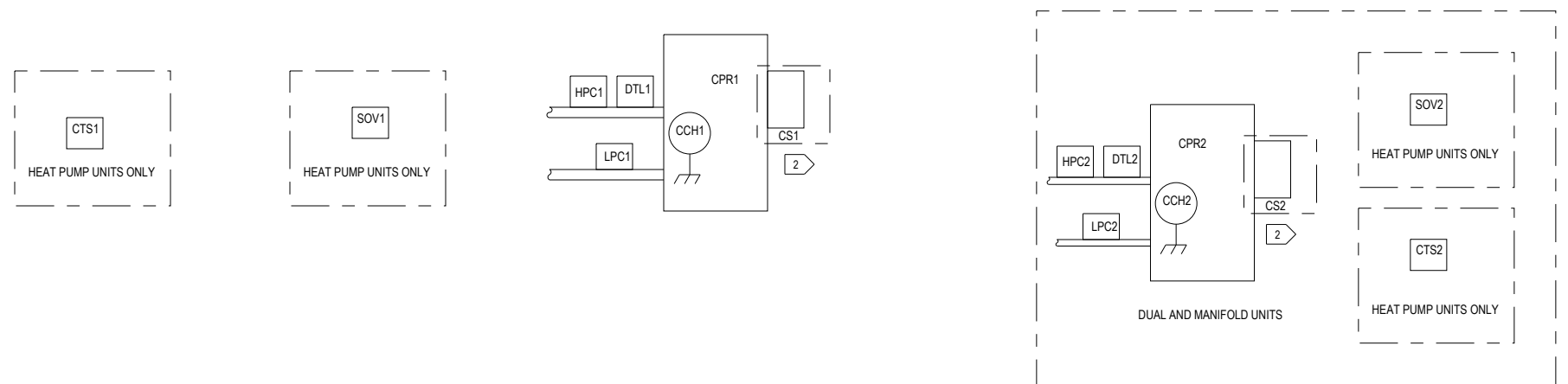
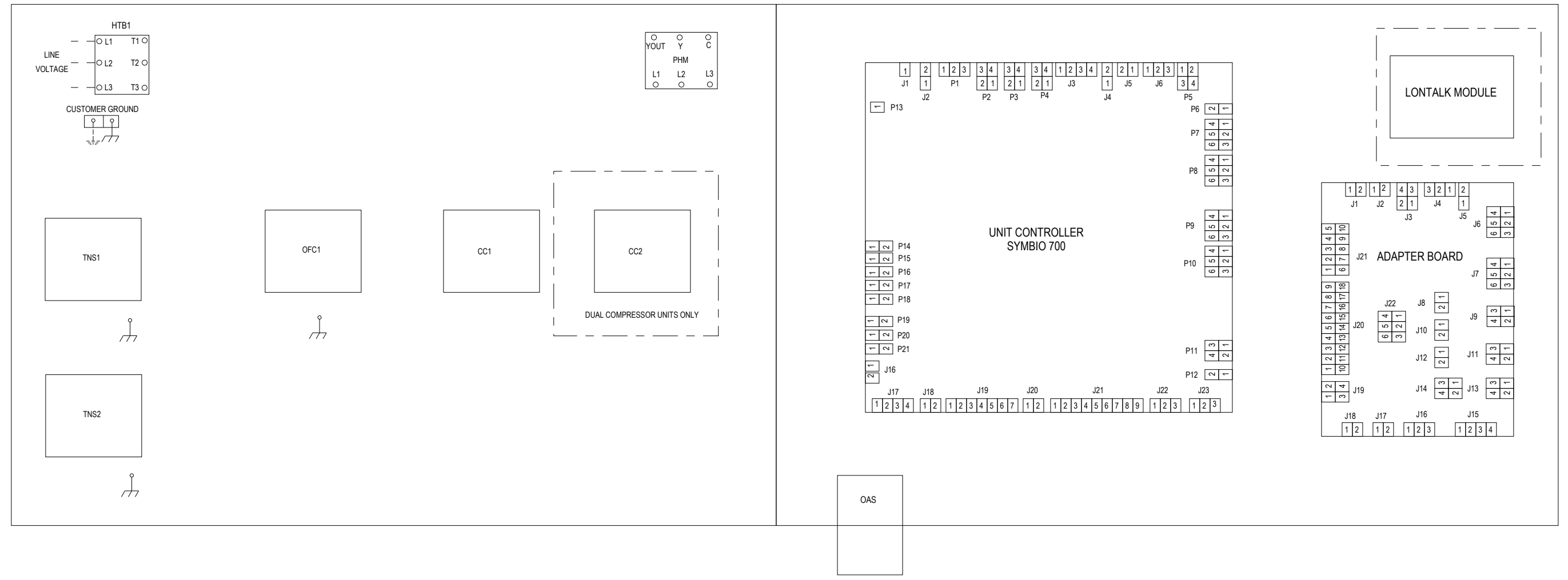
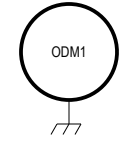


1  
2  
3  
4  
5  
6  
7  
8  
9  
10  
11  
12  
13  
14  
15  
16  
17  
18  
19  
20  
21  
22  
23  
24  
25  
26  
27  
28  
29  
30  
31  
32  
33  
34  
35  
36  
37  
38  
39  
40  
41  
42  
43  
44  
45  
46  
47  
48  
49  
50  
51  
52  
53  
54  
55  
56  
57  
58  
59  
60



- NOTES:
- SOME COMPONENTS SHOWN ARE OPTIONAL AND MAY NOT BE PRESENT, SEE UNIT SCHEMATIC FOR OPTIONAL UNIT CONFIGURATION
  - PRESENT IN THE UNIT WITH STAGED COMPRESSORS

DESIGNER: J.SUDHEER
ENGINEER: SANJUNATH.S
TRANE © DATE: 08-AUG-2023
REPLACES: --
SIMILAR TO: --
REVISION DATE: --
REVISED BY: --
APPROVED BY: SANJUNATH.S
CAD SYSTEM USED: CREO SCHEMATICS

<p>THIS DRAWING IS PROPRIETARY AND SHALL NOT BE COPIED OR ITS CONTENTS DISCLOSED TO OUTSIDE PARTIES WITHOUT THE WRITTEN CONSENT OF TRANE.</p>	<b>ODYSSEY</b> DEVICE LOCATION A & B CABINET		
	MASTER NUMBER: --	DRAWING NUMBER: 12134823	SHEET: 1 OF 1