

Installation Instructions

Quick Adapt Roof Curb

Note: Used to mount an Impact unit on an existing Precedent™ roof curb.

Model Number:	Used With:
BAYQACB116*	Precedent B & F cabinet (digit 30 = B/F) to Impact, Small Base 1 Converts BAYCURB042* to BAYCURB050*
BAYQACB117*	Precedent B & F cabinet (digit 30 = B/F) to Impact, Medium Base 2 Converts BAYCURB042* to BAYCURB051*
BAYQACB118*	Precedent C & D cabinet (digit 30 = C/D) to Impact, Medium Base 2 Converts BAYCURB043* to BAYCURB051*

SAFETY WARNING

Only qualified personnel should install and service the equipment. The installation, starting up, and servicing of heating, ventilating, and air-conditioning equipment can be hazardous and requires specific knowledge and training. Improperly installed, adjusted or altered equipment by an unqualified person could result in death or serious injury. When working on the equipment, observe all precautions in the literature and on the tags, stickers, and labels that are attached to the equipment.

April 2020

ACC-SVN219B-EN

© 2020

1

Warnings, Cautions, and Notices

Read this manual thoroughly before operating or servicing this unit. Safety advisories appear throughout this manual as required. Your personal safety and the proper operation of this machine depend upon the strict observance of these precautions.

The three types of advisories are defined as follows:

WARNING

Indicates a potentially hazardous situation which, if not avoided, could result in death or serious injury.

CAUTION

Indicates a potentially hazardous situation which, if not avoided, could result in minor or moderate injury. It could also be used to alert

NOTICE

Indicates a situation that could result in equipment or property-damage only accidents.

Important Environmental Concerns

Scientific research has shown that certain man-made chemicals can affect the earth's naturally occurring stratospheric ozone layer when released to the atmosphere. In particular, several of the identified chemicals that may affect the ozone layer are refrigerants that contain Chlorine, Fluorine and Carbon (CFCs) and those containing Hydrogen, Chlorine, Fluorine and Carbon (HCFCs). Not all refrigerants containing these compounds have the same potential impact to the environment. Trane advocates the responsible handling of all refrigerants-including industry replacements for CFCs such as HCFCs and HFCs.

Important Responsible Refrigerant Practices

Trane believes that responsible refrigerant practices are important to the environment, our customers, and the air conditioning industry. All technicians who handle refrigerants must be certified according to local rules. For the USA, the Federal Clean Air Act (Section 608) sets forth the requirements for handling, reclaiming, recovering and recycling of certain refrigerants and the equipment that is used in these service procedures. In addition, some states or municipalities may have additional requirements that must also be adhered to for responsible management of refrigerants. Know the applicable laws and follow them.

2

WARNING

Proper Field Wiring and Grounding Required!

Failure to follow code could result in death or serious injury. All field wiring MUST be performed by qualified personnel. Improperly installed and grounded field wiring poses FIRE and ELECTROCUTION hazards. To avoid these hazards, you MUST follow requirements for field wiring installation and grounding as described in NEC and your local/state electrical codes.

WARNING

Personal Protective Equipment Required!

Installing/servicing this unit could result in exposure to electrical, mechanical and chemical hazards. Before installing/servicing this unit, technicians MUST put on all Personal Protective Equipment (PPE) recommended for the work being undertaken. ALWAYS refer to appropriate SDS sheets and OSHA guidelines for proper PPE. When working with or around hazardous chemicals, ALWAYS refer to the appropriate SDS sheets and OSHA guidelines for information on allowable personal exposure levels, proper respiratory protection and handling recommendations. If there is a risk of arc or flash, technicians MUST put on all necessary Personal Protective Equipment (PPE) in accordance with NFPA70E for arc/flash protection PRIOR to servicing the unit. Failure to follow recommendations could result in death or serious injury.

WARNING

Follow EHS Policies!

Failure to follow instructions below could result in death or serious injury.

- All Trane personnel must follow the company's Environmental, Health and Safety (EHS) policies when performing work such as hot work, electrical, fall protection, lockout/tagout, refrigerant handling, etc. Where local regulations are more stringent than these policies, those regulations supersede these policies.
- Non-Trane personnel should always follow local regulations.

3

Model Number Description

All products are identified by a multiple-character model number that precisely identifies a particular type of unit. Its use will enable the owner/operator, installing contractors, and service engineers to define the operation, specific components, and other options for any specific unit. When ordering replacement parts or requesting service, be sure to refer to the specific model number and serial number printed on the unit nameplate.

Inspection

Compare the order number on the shipping label with the accessory identification information on the ordering and shipping documents to verify that the correct accessory has been received.

General

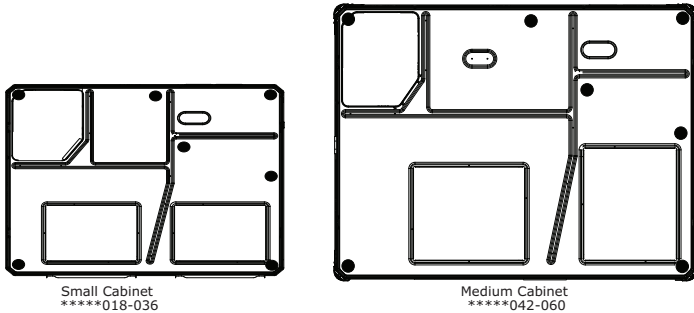
This installation guide describes installation procedure required to properly install the adapter curb. Each adapter curb package ships with the required gasketing material. Sheet metal screws must be furnished by the installing contractor.

Table 1. Adapter roof curb replacement

Use Adapter Curb:	When Installing New Units:	On Roof Curbs:	And Replacing Units:
BAYQACB116*	Impact Small Base (48 3/8" x 40 7/8")	BAYCURB042*	Precedent B & F Cabinet (digit 30=B/F)
BAYQACB117*	Impact Medium Base (58" x 43 7/8")	BAYCURB042*	Precedent B & F Cabinet (digit 30=B/F)
BAYQACB118*	Impact Medium Base (58" x 43 7/8")	BAYCURB043*	Precedent C & D Cabinet (digit 30=C/D)

4

Figure 1. Impack™ small and medium base



Note: These views represent the base as viewed looking up from underneath the unit.

Installation

⚠ WARNING

Curb Failure!

Failure to follow these requirements could result in death, serious injury, and property damage. Do not make any structural modifications, alterations or additions to the Quick Adapt Roof Curb. Doing so could cause the curb to collapse upon unit installation.

⚠ WARNING

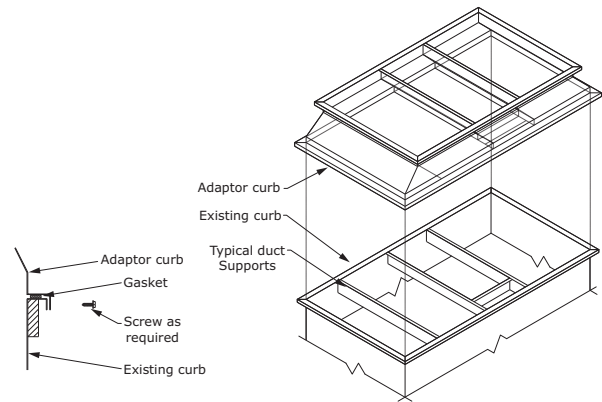
Proper Adapter Curb Placement Required!

Failure to follow instructions could result in death or serious injury. Use extreme caution when lifting and placing the unit on top of the curb. Ensure the adapter curb is sitting correctly on top of the existing curb before placing the unit on top of it. The adapter curb is not yet secured and could collapse under the unit weight resulting in the unit falling off the curb. Remain at a safe distance from the curb while the unit is put in place.

5

1. Remove existing unit.
 2. Remove gasket or other sealer from existing curb.
 3. Verify that the existing duct supports are flush with the top of the curb.
- Note:** If duct supports are below the top of the curb, extend them to be flush with the top using field supplied materials.
4. Place new gasket, supplied with the adapter curb on top of the existing curb and duct supports.
 5. Place adapter curb on top of the existing curb.
 6. Verify that all duct transitions are sealed between the existing curb and the adapter curb.
 7. Place the new gasket (supplied in kit) on top of the adapter curb and around duct transitions.
 8. Place new unit on top of adapter curb, refer to the product Installation Guide for proper installation instructions.
 9. Fasten adapter curb to existing curb through perimeter flange. Use field supplied screws as required by job conditions.
 10. Anchor unit to adapter curb as required by job conditions.

Figure 2. Curb installation



Note: Figure shown above is only a representation of curb installation.

Trane and American Standard create comfortable, energy efficient indoor environments for commercial and residential applications. For more information, please visit trane.com or americanstandardair.com.

Trane and American Standard have a policy of continuous product and product data improvement and reserve the right to change design and specifications without notice. We are committed to using environmentally conscious print practices.