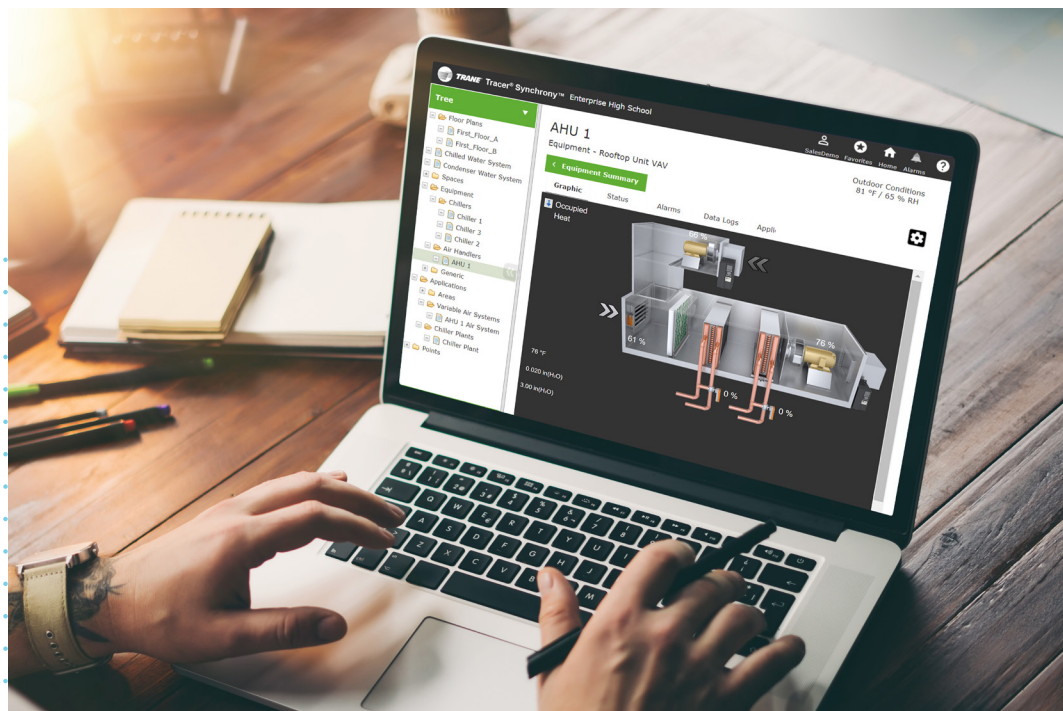


Trane Rental Services Remote Monitoring Panel

With Trane Active Monitoring



Keep critical building systems up and running

With the Remote Monitoring Panel, we have designed a turnkey solution to provide active monitoring for your rental application. The components inside of the panel will connect your rental equipment to Trane Connect via an internet connection. Once connected, this allows for 24/7 coverage over critical equipment alarms and current unit performance, as well as the proactive detection of issues with your rental equipment.

Planning for the unplanned

Quickly detect failures in your building with round-the-clock monitoring from the Trane Intelligent Services center, where Trane building professionals provide support 24 hours a day, 365 days a year.

Beyond alarm detection, Trane building professionals draw upon their deep industry expertise to analyze each incoming alarm and initiate action to resolve the issue to maintain efficiency and performance. The ability to address some problems remotely saves time and money in on-site service calls and reduces the time your staff spends detecting, potentially missing, and fixing issues.

Maximize performance, minimize cost

Trane building professionals conduct detailed analysis of each issue. When on-site service is required, they are proactively prepared with the necessary parts and equipment to make service more efficient and quickly get your climate systems running as they should.

Active Monitoring also proactively detects and diagnoses problems or repairs issues remotely before they develop into major problems. This mitigates the cost of undiagnosed issues and provides peace of mind.

Key benefits

- Proactive monitoring which can resolve issues before incidents occur
- Increased visibility to see current unit performance, ensuring our equipment is meeting your specifications
- Decreased operational costs
- Minimized downtime

Remote Monitoring Panel

For easy reference, here are the key specifications of each Trane Remote Monitoring kit:

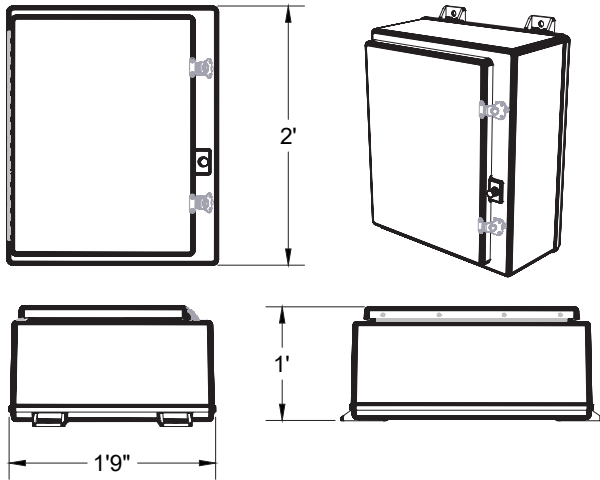
Model #RSRM0240F0-F1

Weight:

- Shipping – 75 lbs.
- Operational – 35 lbs.

Dimensions (L x W x H):

- Shipping – 2'9" x 2'6" x 2'5"
- Operational – 2' x 1'9" x 1'



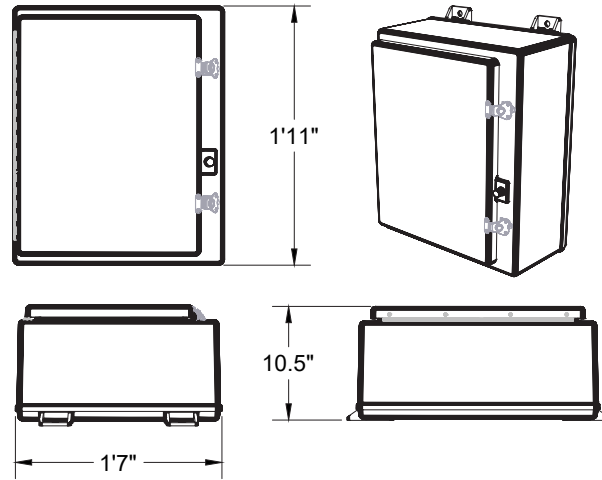
Model #RSRM0240F2

Weight:

- Shipping – 70 lbs.
- Operational – 30 lbs.

Dimensions (L x W x H):

- Shipping – 2'9" x 2'6" x 2'5"
- Operational – 1'11" x 1'7" x 10.5"



Shipping Notes: Ships via FedEx inside a fortified Pelican 1690 transport case that is water- and dust-proof. Panels do not ship directly to job sites; they must ship to the local Trane office.

Components:

- Panel is enclosed inside of a NEMA 4 enclosure
- Tracer SC+ – Connects to the rental equipment (Chiller or Voyager typically)
- Trane Air-Fi Wireless Communications Interface (WCI) – Connect to zone sensors up to 200' away. Up to (6) Air-Fi Wireless Communications Sensors (WCS) can be connected
- UC400 Controller – Status-only unit controller
- Verizon LTE Modem – Allows for connection to the Internet

Power Requirements:

- Field Supplied 120V, 5A circuit, single phase
- Terminal Block Connection – Flexible or Rigid Screw Clamps; 22 AWG – 8 AWG

Licenses Supplied:

- SMP License
- (1) 15 Device Core License
- (1) Chiller Plant Control License

Note: Any additional licenses required must be supplied at a local level.

Call us at 1-800-755-5115 or learn more at trane.com/rentalservices



Trane – by Trane Technologies (NYSE: TT), a global climate innovator – creates comfortable, energy efficient indoor environments through a broad portfolio of heating, ventilating and air conditioning systems and controls, services, parts and supply. For more information, please visit trane.com or tranetechnologies.com.

All trademarks referenced in this document are the trademarks of their respective owners.

© Trane. All Rights Reserved.

SRV-SLB277-EN
11/06/2023