



Product Data

Zone Sensors

Data Sheet



SAFETY WARNING

Only qualified personnel should install and service the equipment. The installation, starting up, and servicing of heating, ventilating, and air-conditioning equipment can be hazardous and requires specific knowledge and training. Improperly installed, adjusted or altered equipment by an unqualified person could result in death or serious injury. When working on the equipment, observe all precautions in the literature and on the tags, stickers, and labels that are attached to the equipment.



Trademarks

All trademarks referenced in this document are the trademarks of their respective owners.

Overview

Trane® offers a full line of wireless and wired temperature sensors. Wireless temperature sensors are an ideal and cost-effective alternative to wired sensors that provide easy and flexible installation. Conventional wired sensors are best suited where wireless sensors are not allowed or when a wired connection to a service tool is required.

Features, Benefits, and Part Numbers

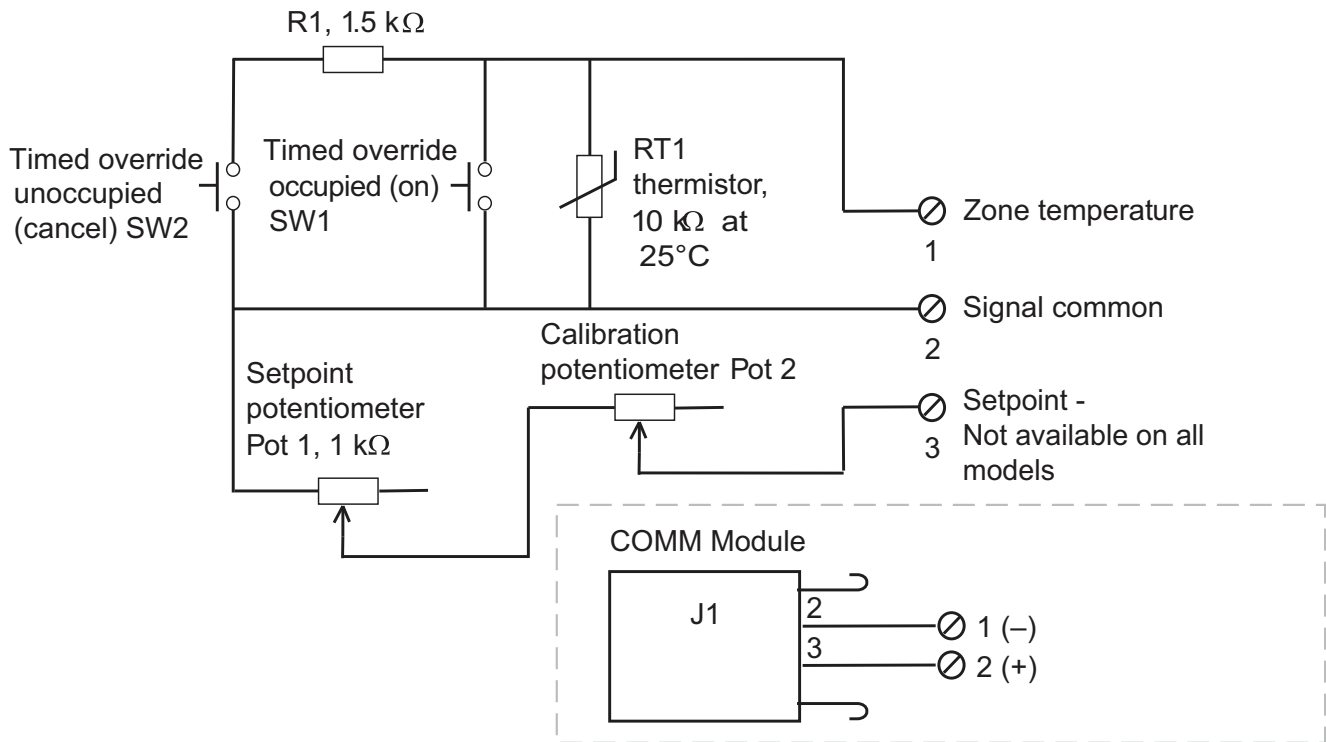
Features	Benefits
Temperature-only sensors	Simplifies tenant interaction by moving the temperature setpoint to a centralized source.
Temperature setpoint control	Allows the tenant to choose a temperature setpoint that satisfies their personal preference.
Occupancy override	Allows the tenant to request temporary timed override system operation that permits the building conditions to remain in occupied comfort conditions.
COMM module (optional)	Compatible with all Trane-wired temperature sensors. This optional accessory provides local RJ22 connection to Trane service tools for easy, low cost maintenance.

Part Numbers				
Description		Part Number	BAYSENS	Global Parts
Setpoint	Occupancy			
Single	Yes	X1351152701	BAYSENS074A	SEN01447
NA	No	X1351152801	BAYSENS077A	SEN01448
Single	No	X1351152901	BAYSENS075A	SEN01449
NA	Yes	X1351153001	BAYSENS073A	SEN01450
COMM Module (Box of 12)		X1365146702	BAYCOMM005A	CON01313
Thumbwheel; Hot/Cold (Box of 12)		X1316105702	NA	KNB00182

Specifications

Description	
Sensor operating temperature	From 32°F to 122°F (0°C to 50°C)
Storage temperature	From -40°F to 185°F (-40°C to 85°C)
Storage/operating humidity range	5% to 95% relative humidity (RH), noncondensing
Thermistor accuracy	0.2°C at 25°C, 1%
Setpoint functional range	45°F to 90°F (7.2°C to 32.2°C)
Setpoint thumbwheel markings	50°F to 85°F (in 5°F increments) with */** icons on thumbwheel 11°C to 29°C (in 3°C increments) with */** icons on thumbwheel
Housing material	Polycarbonate/ABS (suitable for plenum mounting), UV protection, UL 94: 5 VA flammability rating
Mounting	Fits a standard 2 in. by 4 in. junction box (vertical mount only). Mounting holes are spaced 3.2 in. (83 mm) apart on vertical center line. Includes mounting screws for junction box or wall anchors for sheet-rock walls. Overall dimensions: 2.9 in. (74 mm) by 4.7 in. (119 mm)

Schematic (Typical)



Trane - by Trane Technologies (NYSE: TT), a global climate innovator - creates comfortable, energy efficient indoor environments for commercial and residential applications. For more information, please visit trane.com or tranetechnologies.com.

Trane has a policy of continuous product and product data improvement and reserves the right to change design and specifications without notice. We are committed to using environmentally conscious print practices.