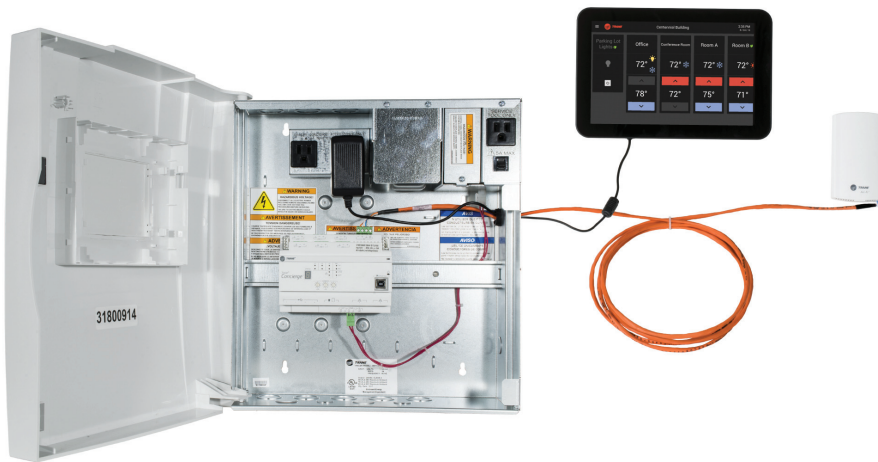




Product Data

Tracer Concierge® System for Small Buildings

Pre-packaged Control Panel and Display Data Sheet



Ordering Numbers:

BMTC015ABC012000

BMTC030ABC012000

BMTC015CBC012000

X13760358001 (10-inch display, ordered separately)

BMTC030CBC012000

BMTC045CBC012000

BMTC060CBC012000

SAFETY WARNING

Only qualified personnel should install and service the equipment. The installation, starting up, and servicing of heating, ventilating, and air-conditioning equipment can be hazardous and requires specific knowledge and training. Improperly installed, adjusted or altered equipment by an unqualified person could result in death or serious injury. When working on the equipment, observe all precautions in the literature and on the tags, stickers, and labels that are attached to the equipment.

October 2023

BAS-PRD022M-EN

TRANE
TECHNOLOGIES



Trademark

All trademarks referenced in this document are the trademarks of their respective owners.

Overview

Tracer Concierge System for Small Buildings is a cost-effective solution that makes day-to-day operation of your HVAC and lighting systems easier. A bundled system of pre-engineered applications means you get advanced capabilities for building management with less risk.

The Tracer 10-inch display is a touch screen that allows you to manage your building from a single location. With built-in functionality, including overrides, temperature setpoint changes, and daily monitoring, the Tracer 10-inch display is flexible and easy to use.

Features and Benefits

Built-on Tracer controls:	Simple, wizard-based installation and packaged control applications for efficient installation.
Prepackaged and wireless:	The full capabilities of Tracer controls at a competitive installed price.
Field set up:	Meets individual building's unique requirements.
Limited/restricted in-building system overrides:	Maintain energy efficiency while maintaining comfort.
Easy-to-use touch screen controls interface:	Does not require specialized knowledge to use the system on a day-to-day basis.

System Types

- Single Zone
 - Constant Volume
 - Single Zone VAV (SZVAV)
- Multiple Zone
 - Constant Volume with Bypass
 - Variable Volume with Staged Heat and Bypass
 - Variable Volume with Modulating Heat and no Bypass
 - Traditional Variable Air Volume with reheat at terminal
- Variable Refrigerant Flow (VRF)

Panel Specifications

Operating	
Temperature:	From 32°F to 122°F (0°C to 50°C)
Humidity:	Between 5% and 95% non-condensing
Power requirements:	120 Vac, 5A maximum, 1 phase, 60 Hz
Transformer (de-rated at elevated ambient temperatures):	85VA; Up to 95°F (35°C) 75VA; Up to 113°F (45°C) 50VA; Up 122°F to (50°C)
Weight and Dimensions	
Dimensions:	16.5 in. x 14.75 in. x 5.5 in. (418 mm x 373 mm x 140 mm)
Weight:	Mounting surface must be able to support 60 lb (28 kg)
Installation:	U.L. 840: Category 3, Pollution U.L. 840: Degree 2

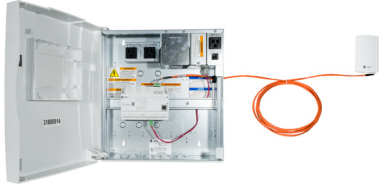
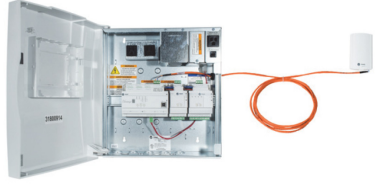
Display Specifications

Wi-Fi	802.11 b/g/n
Wired Ethernet	Wired 10/100 Ethernet 7-ft Ethernet Cable included
Screen size	10.1 inch
Resolution	1280 x 800 pixels
Brightness	400 cd/m ²
Contrast ratio	600 min, 800 typ
Aspect ratio	16:10
Active area size (HxV)	217 x 136 mm
Viewing angle	85°/85°/85°/85°
Touch technology	Capacitive 10 point
Mounting	75 mm x 75 mm VESA (mounting bracket included)

Agency Listings and Compliance for Concierge Panel

United States Compliance:	Enclosure and modules are UL Listed separately UL Listed - UL 916 Energy Management Accessory
Canada Compliance:	(Enclosure and modules are CUL Listed separately) CUL Listed - CSA C22.2 No. 205

Contents and Hardware

Item	Contents		
Display:	<ul style="list-style-type: none"> Wired Ethernet, includes 7-ft Ethernet Cable Wall mountable (VESA, 75 mm x 75 mm pattern), includes VESA display mount 10-inch color touchscreen;120 Vac 		
Packaged Panel:	Part Number	Package Contents	
	BMTC015ABC012000	System Controller with 15 device license, Air-Fi® Wireless Communication Interface (WCI), mounting kit (4 anchors/4 screws)	
	BMTC030ABC012000	System Controller with 30 device license, Air-Fi® Wireless Communication Interface (WCI), mounting kit (4 anchors/4 screws)	
	BMTC015CBC012000	System Controller with 15 device license, XM32 Module, Air-Fi® Wireless Communication Interface (WCI), mounting kit (4 anchors/4 screws) XM30 Module, XM32 Module	
	BMTC030CBC012000	System Controller with 30 device license, XM30 Module, XM32 Module, Air-Fi® Wireless Communication Interface (WCI), mounting kit (4 anchors/4 screws)	
	BMTC045CBC012000	System Controller with 45 device license, XM32 Module, Air-Fi® Wireless Communication Interface (WCI), mounting kit (4 anchors/4 screws) XM30 Module, XM32 Module	
	BMTC060CBC012000	System Controller with 60 device license, XM32 Module, Air-Fi® Wireless Communication Interface (WCI), mounting kit (4 anchors/4 screws) XM30 Module, XM32 Module	
Other Required Hardware			
Trane Rooftops ^(a) :	<ul style="list-style-type: none"> One (1) BCI-R for BACnet® communication to Tracer System Controller (BAYBCIR001A) One (1) Air-Fi® WCI for wireless communication X13790901020 (Indoor Mounting) One (1) wireless zone sensor (no display): <ul style="list-style-type: none"> X13790955010 WCS-SD (display sensor) recommended for zones that require local control X13790956010 WCS-SB (base sensor) recommended for zones that will appear on display 		
Non-Trane Rooftops ^(a) :	<ul style="list-style-type: none"> One (1) UC400 for BACnet® communication to Tracer System Controller (BMUC400ABA0100011) One (1) Air-Fi® WCI for wireless communication X13790901020 (Indoor Mounting) One (1) wireless zone sensor (no display): <ul style="list-style-type: none"> X13790955010 WCS-SD (display sensor) recommended for zones that require local control X13790956010 WCS-SB (base sensor) recommended for zones that will appear on display 		
Bypass Control:	<ul style="list-style-type: none"> UC210 Programmable bypass controller with Trane actuator (BMUC210ACAOT0011) 		
Optional Hardware			
Optional hardware:	<ul style="list-style-type: none"> Preprogrammed UC210 for Bypass Control (BMUC210ACA0T00011) Preconfigured router for display X13651632010 		

(a) Listed parts are for one (1) RTU and multiplied by the number of RTUs on the job.

Dimensions and Clearances

Figure 1 shows the internal enclosure dimensions and minimum clearances. Select a mounting location that provides adequate space for the minimum clearance dimensions. Refer to Figure 2 for external enclosure dimensions.

Figure 1. Internal view

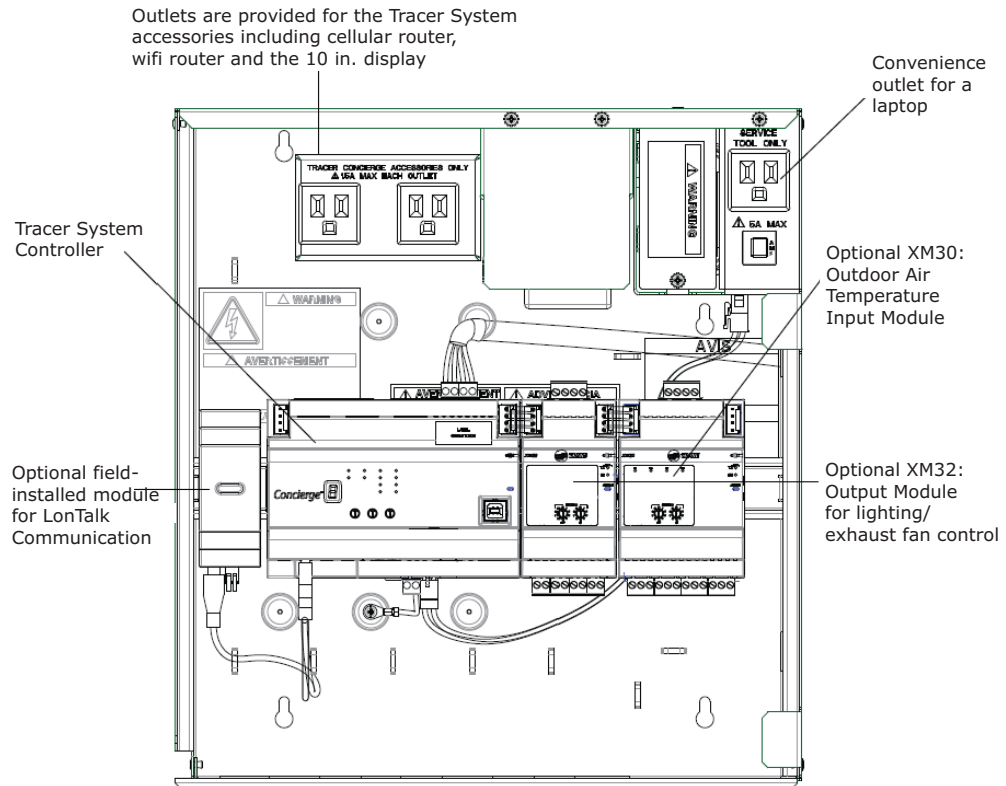


Figure 2. External view

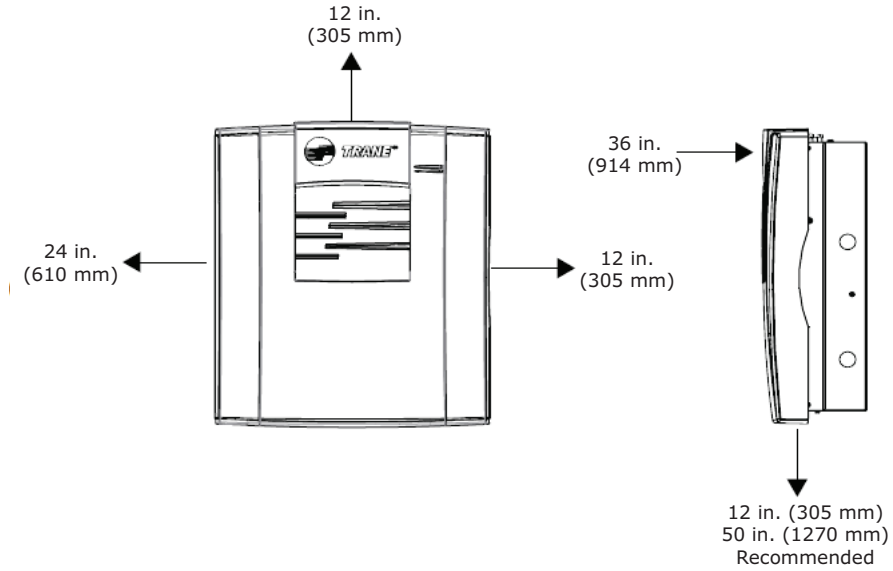
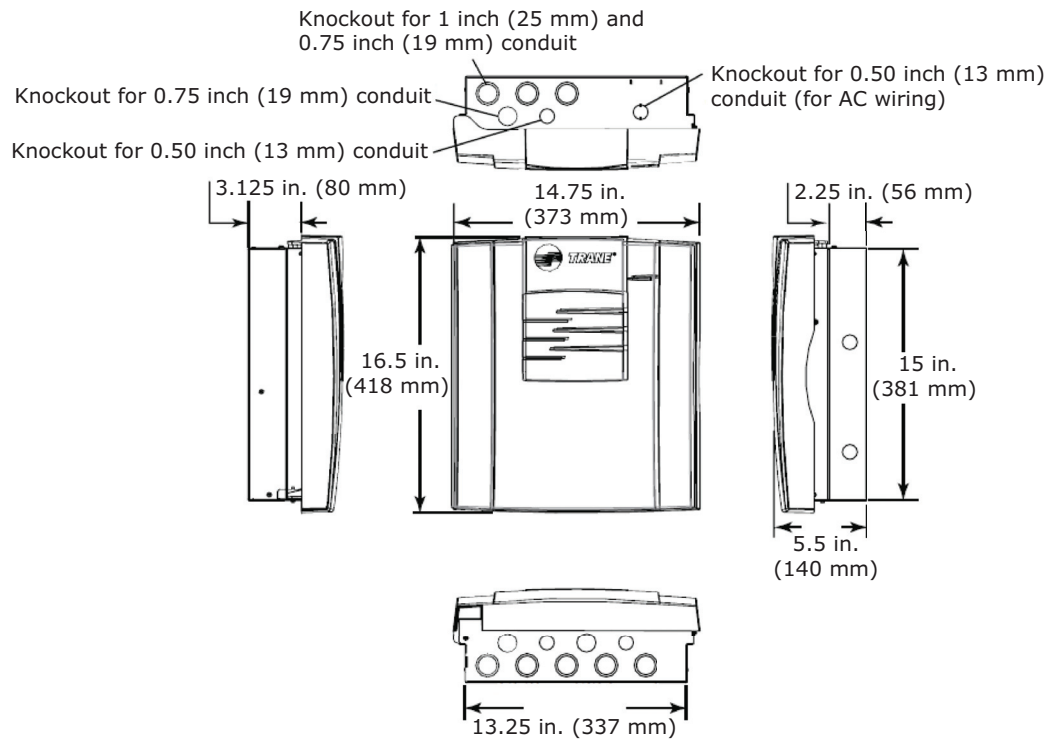


Figure 3. External dimensions



Trane - by Trane Technologies (NYSE: TT), a global climate innovator - creates comfortable, energy efficient indoor environments for commercial and residential applications. For more information, please visit trane.com or tranetechnologies.com.

Trane has a policy of continuous product and product data improvement and reserves the right to change design and specifications without notice. We are committed to using environmentally conscious print practices.