



Product Catalog

Water Source Heat Pump Axiom™ Horizontal/Vertical — EXH/EXV, DXH/DXV

0.75 to 6 Tons – 60 Hz, High Efficiency and Two-Stage High Efficiency

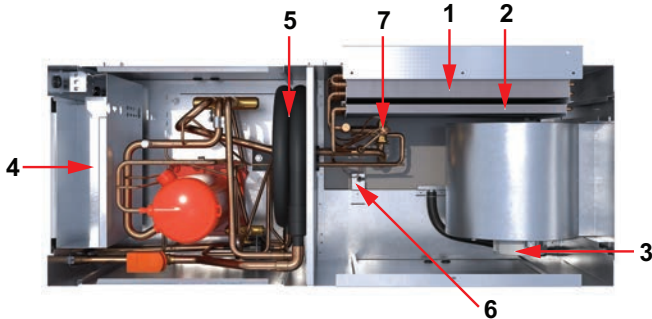




Introduction

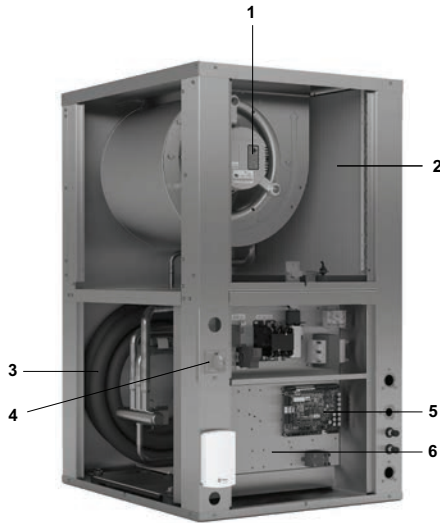
Imagine a full range of comfort utilizing efficiency, sound attenuation, integrated controls, and superior maintenance accessibility. The EXH/EXV and DXH/DXV models are Trane® water source comfort solutions. The horizontal unit is a ceiling hung product that provides serviceability to maintenance components; indoor air quality standards; sound attenuation; and best of all, higher efficiencies rated in accordance to ANSI/AHRI/ASHRAE/ISO13256-1 performance and ASHRAE 90.1 standards. Highlights of these units are included, but not limited to the below items.

Figure 1. EXH/DXH unit



1. Air-to-refrigerant coil (horizontal design)
2. Hot gas reheat coil (optional)
3. ECM variable speed motor with orifice ring motor mounting device (standard for ease of service)
4. Integrated controls with drop down control box for access to internal unit components
5. Coaxial refrigerant-to-water heat exchanger
6. Dual-sloped, non corrosive drain pan with condensate overflow switch
7. TXV

Figure 2. EXV/DXV unit



1. ECM variable speed motor with orifice ring motor mounting device (standard for ease of motor service))
2. Air-to-refrigerant coil (vertical design)
3. Coaxial refrigerant-to-water heat exchanger
4. Unit mounted disconnect switch
5. Trane Symbio™ 400-B/UC400-B controls
6. Drop down control box removable for access to internal unit components

Copyright

This document and the information in it are the property of Trane, and may not be used or reproduced in whole or in part without written permission. Trane reserves the right to revise this publication at any time, and to make changes to its content without obligation to notify any person of such revision or change.

Trademarks

All trademarks referenced in this document are the trademarks of their respective owners.

Revision History

Added Symbio™ 400-B throughout the document.



Table of Contents

Features and Benefits	6
Airflow Combinations	6
Air-Side Filter	7
Air to Refrigerant Coil (0.75 to 6 Tons)	7
Blower Housing	7
Blower Motor	7
Boilerless Control, Electric Heat (Option)	7
Boilerless Control, Electric Heat System	8
Field Mounted and Wired Boilerless Control, Electric Heat	9
Cabinet Description	9
Co-axial Water-to-Refrigerant Coil	10
Compressors	10
Compressor and Co-axial Coil Isolation (0.75 to 6 Tons)	11
Drain Pan	11
Ducted Filter Rack	11
Ducted Panel - Return Air	11
Expansion Valve	12
Hanging Device	12
Hot Gas Reheat	12
Motorized Water Valve	13
Pump Module	13
Refrigerant Piping	14
Reversing Valve	14
Schradler Connections	14
Sound Attenuation Package	14
Water Connections	15
Waterside Economizer (Option)	15
Application Considerations	17
Systems	17
Duct Design for Noise Control	22
Improper Supply Air-Ducting	22
Water Flow Control	24
Model Number Description	25
EXVH/DXVH Models	25
General Data	26



Table of Contents

Performance Data	29
Cooling and Heating Capacities 0.75 tons	29
Cooling and Heating Capacities 1 ton	33
Cooling and Heating Capacities 1.25 tons	36
Cooling and Heating Capacities 1.5 tons	40
Cooling and Heating Capacities 2 tons	43
Cooling and Heating Capacities 2.5 tons	50
Cooling and Heating Capacities 3 tons	53
Cooling and Heating Capacities 3.5 tons	60
Cooling and Heating Capacities 4 tons	63
Cooling and Heating Capacities 5 tons	70
Cooling and Heating Capacities 6 tons	76
Unit Fan Performance	84
ECM Control Board	84
Examples	112
Controls	115
Deluxe 24V Electronic Controls	115
Symbio™/Tracer® Controls	117
Trane® Air-Fi® Wireless Systems	120
Thermostats and Zone Sensors	122
Dimensional Data	125
Service Clearances	125
Unit Dimensions	127
Electrical Data	140

Mechanical Specifications	145
General	145
Air-to-Refrigerant Coil	145
DDC Controller (Option)	145
Deluxe Controls	145
Cabinet	145
Compressor	146
Unit Drain Pan	146
Economizing Coil	146
Electrical	147
Electric Heat (Option)	147
Boilerless Electric Heat Ready (Option)	147
Filters	147
Hot Gas Reheat (Option for EX Units Only)	147
Motorized Water Valve (Accessory)	147
Indoor Fan	148
Single Point Power Connection	148
Electric Heat Power Connection (Separate from Unit)	148
Unit Mounted Disconnect (Option)	148
Orifice Ring	148
Pump Module (Field Installed Accessory)	148
Refrigerant Circuits	148
Refrigerant Tubing	148
Reversing Valve	148
Sound Attenuation	149
Water-to-Refrigerant Heat Exchanger	149
Water-to-Refrigerant Heat Exchanger and Suction Lines - Insulated Option	149
Factory Mounted Isolation Valve (Option)	149
Supply and Return Hoses	149
Ball Valves	149
Return Air Duct Panel (Accessory)	149
Two-inch or Four-inch Ducted Filter Rack (Accessory)	149

Features and Benefits

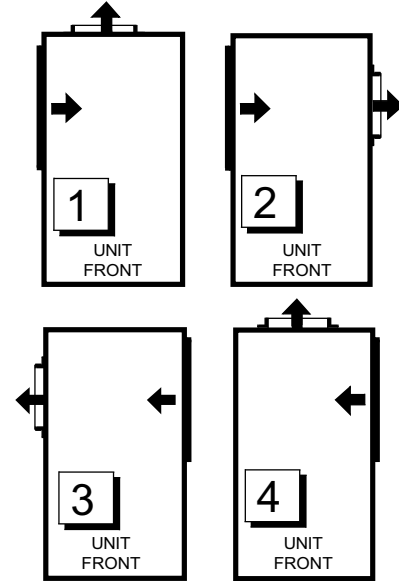
Airflow Combinations

EXH/DXH (0.75 to 6 Tons)

Note: The DXH/DXV models are only available in 2 to 6 tons.

The EX/DXH model configuration is built to order to meet unique installation requirements. Units must be ordered with the correct return and supply orientation as this cannot be modified in the field.

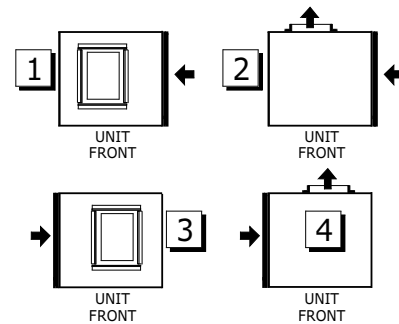
1. Left return-air with back supply-air combination
2. Left return-air with right supply-air combination
3. Right return-air with left supply-air combination
4. Right return-air with back supply-air combination



EXV/DXV (0.75 to 6 Tons)

The EX/DXV model is not capable of on-site modifications. Units must be ordered with the correct return and supply orientation as this cannot be modified in the field.

1. Right return-air with top supply-air combination
2. Right return-air with back supply-air combination
3. Left return-air with top supply-air combination
4. Left return-air with back supply-air combination



Air-Side Filter

The air-side filter incorporates a 1-inch thick (nominal) or 2-inch thick (nominal), MERV 8 or MERV 13 disposable filter option. Accessory filters are also available (0.5 to 6 tons) in 4-inch (nominal) thickness for MERV 8 and MERV 13. These filters include an average synthetic dust weight tolerance of approximately 75%. This dust holding capability includes a colorless, odorless adhesive to retain dirt particles within the filter media after fiber contact.

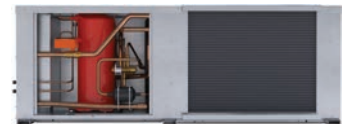


Air to Refrigerant Coil (0.75 to 6 Tons)

The air-to-refrigerant heat exchanger is constructed of staggered copper tubes with die-formed corrugated lanced aluminum fins. The fins are then mechanically bonded to the tubes through expansion.

The maximum working pressure for the coils is 650 psig. It is designed for maximum capacity with an additional benefit of physical unit size reduction.

Coil specifications may be found in the General Data section of this catalog.



Blower Housing

The blower housing is constructed of non-corrosive galvanized steel. A factory-mounted orifice ring is provided for ease of motor serviceability.

Blower Motor

The motor is an ECM variable speed motor with electronic protection. The EC motor is programmed to provide soft starting and a constant torque over a range of static pressure. A means to adjust the airflow is provided with a control board. The motor contains a quick disconnect plug and permanently lubricated bearing. The fans are placed in a draw-through configuration. They are constructed of corrosion resistant galvanized material. Removal of the motor and fan wheel can be made with the assistance of a factory provided orifice ring device. This device attaches the wheel and motor to the fan housing in a single assembly eliminating the need for access to the set screw on the backside of the fan hub.



Boilerless Control, Electric Heat (Option)

In cooling dominant regions where heat may be used 15 to 30 days out of the winter season, eliminating the boiler may be an economical advantage to the building owner. Eliminating a boiler from the system reduces costs associated with the mechanical system installation, as well as the maintenance and service of the boiler.

How can heat be provided for the few days of the year when heat is necessary? Through the water-source heat pump of course. The advantage of the water-source heat pump is its ability to provide heat recovery within the closed water-loop. While some WSHPs may be extracting heat from the closed



Features and Benefits

water loop, other WSHPs may be adding heat to the closed water loop. This creates a perfect system balance for heat sharing or movement from one space to another.

But when water temperatures fall in a boilerless system, and no further heat recovery may be made using the closed loop, heat may be added to the space through a boilerless control electric heat option.

Hot gas reheat is not available for both EX/DX units with the boilerless electric heat option. For both EX and DX units, supplemental or emergency heat applications are not available with the boilerless electric heat option.

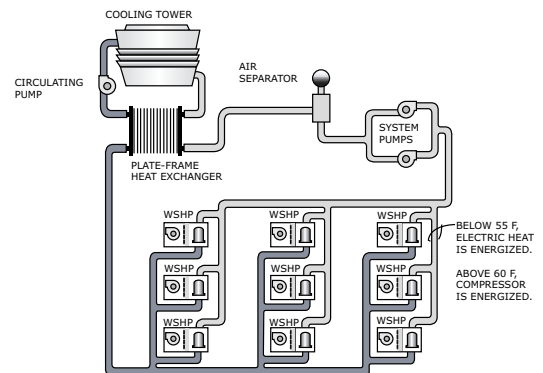
How it Works

In heating mode, when the water temperature falls below 55°F (factory setting), the electric heater is energized, locking out the compressor. The system's electric heat source will continue to be utilized for primary heating until the loop temperature rises above 60°F. Once the entering water temperature rises above 60°F, the boilerless controller returns the unit to normal compressor heating operation and locks out the electric heater. This maximizes efficiency from the unit during the few days requiring heat from the mechanical system.

Note: For geothermal applications, the boilerless controller has an adjustable setting of 25, 35, 45, 55 and 60°F.

Boilerless Control, Electric Heat System

For units with external Electric Duct Heater (EDH) option, the heater contains a nichrome open wire heating element with corrosion-resistant terminals. Elements are supported every four inches by steatite insulators. Depending on the heating capabilities selected (Low, Medium, High), the heater could contain up to two stages of electric heat designed to operate an electric heater in place of the compressor in the event entering water temperature falls below 55°F or a field adjusted temperature setting between 25°F to 60°F. The EDH can be installed horizontally or vertically in duct spaces, as long as they have a minimum distance of (4) feet downstream from the blower, and minimum of (2) feet either side of an elbow or turn in the duct.



Field Mounted and Wired Boilerless Control, Electric Heat

In this application, the heater shall be placed external to the equipment. All power connections for the electric heater will be completely separate from the unit. The unit contains boilerless controls to interface with the field provided electric heat.



Cabinet Description

The cabinet design contains a platform utilizing similar parts and assemblies throughout the product line. It is constructed of heavy gauge (non-painted), galvanized metal for maximum durability and corrosive resistive exterior.

The cabinet front allows service access for the controls and refrigeration circuitry. In addition, water-in/out connection and high/low voltage hook-up is accomplished at the corners on the front-side of the equipment.

EXH/DXH Cabinet

There are four product variations of return-air and supply-air combinations which are order-specific.

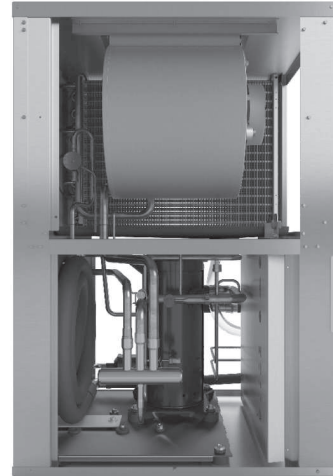




Features and Benefits

EXV/DXV Cabinet

The vertical design offers four product variations of return-air and supply-air combinations. These are factory options for made to order unit construction.



Cabinet Insulation

The cabinet insulation design meets UL 181 requirements. The air-stream surface of the insulation is fabricated of a non-biodegradable source.

Co-axial Water-to-Refrigerant Coil

The unit's internal heat exchanging water coil is engineered for maximum heat transfer. The copper or cupro-nickel seamless tubing is a tube within a tube design. The inner-water tube contains a deep fluted curve to enhance heat transfer and minimize fouling and scaling. It is available in either copper or cupro-nickel (selectable option) coil. The outer refrigerant gas tube is made from steel material. The coil is leak tested to assure there is no cross leakage between the water tube and the refrigerant gas (steel tube) coil. Co-axial heat exchangers are more tolerant to freeze rupture.



Compressors

The unit's design includes a wide variety of compressor motors to accommodate dedicated voltages and tonnage sizes. The 0.75 to 1.5 tons products have a rotary compressor design. The scroll compressor design is used in 2 to 6 tons units. These different styles allow Trane to provide the voltage variations along with noise reduction required in today's applications.



Compressor and Co-axial Coil Isolation (0.75 to 6 Tons)

Vibration isolation of the compressor and co-axial water coil is accomplished by increasing the rigidity and stiffness at the base. The platform provides double isolation to the compressor and the co-axial water coil for additional attenuation during compressor start and stop.

Drain Pan

The unit drain pan is composed of polymer material. The pan is positively sloped to comply with ASHRAE 62 for (IAQ) indoor air quality conformity. Optional stainless steel drain pans are also available. Access to the drain pan is provided through two access panels for cleaning purposes.



Ducted Filter Rack

When it is necessary to have filter access at the unit in a ducted return, a ducted filter rack is available. This option allows access to the filter at the unit. Vertical unit filter racks are available in right or left access configurations. Horizontal units are available in top, bottom or side access configurations.

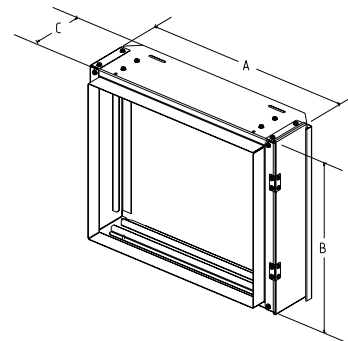


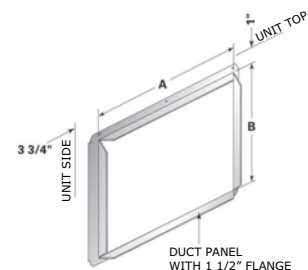
Table 1. Ducted filter opening size - 0.75 to 6 tons

Unit Size	A (in.)	B (in.)	C (in.)
EXHG 009-012	19.00	16.25	6.6
EXHG 015	20.50	17.25	6.6
EXHG 018-024, DXHG 024	23.50	18.25	6.6
EXHG 030-036, DXHG 036	30.00	20.25	6.6
EXHG 042-048, DXHG 048	40.50	21.00	6.6
EXHG 060-070, DXHG 060-070	50.50	21.00	6.6
EXVG 009-012	19.00	16.25	6.6
EXVG 015	20.50	17.25	6.6
EXVG 018-024, DXVG 024	23.50	18.25	6.6
EXVG 030-036, DXVG 036	30.00	20.25	6.6
EXVG 042-048, DXVG 048	30.00	27.00	6.6
EXVG 060-070, DXVG 060-070	30.00	32.75	6.6

Note: All dimensions in inches. All dimensions are for accessory 2 or 4-inch filter rack.

Ducted Panel - Return Air

The return-air arrangement may be easily converted from a free return-air system, to a ducted return-air system with the addition of a return-air side panel. By replacing the filter racks with the return-air panel, a complete seal from the duct to the unit is possible. The 1.5 in. duct flange facilitates ease of field connection to the duct system. This accessory is typically used when the return-air filter is placed in a built-in ceiling grille, or placed within a field provided filter rack assembly.





Features and Benefits

Table 2. Ducted panel - return air

Unit Size	A (in.)	B (in.)	Duct Collar Part Number
EXVG009-012	18.50	16.50	WSHPPND00002
EXVG015	20.00	17.50	WSHPPND00003
EXVG018-024, DXVG024	23.00	18.50	WSHPPND00004
EXVG030-036, DXVG036	29.50	20.50	WSHPPND00005
EXVG042-048, DXVG048	29.50	27.25	WSHPPND00006
EXVG060-070, DXVG060-070	29.50	33.25	WSHPPND00007
EXHG009-012	18.50	16.50	WSHPPND00011
EXHG015	20.00	17.50	WSHPPND00012
EXHG018-024, DXHG024	23.00	18.50	WSHPPND00013
EXHG030-036, DXHG036	29.50	20.50	WSHPPND00014
EXHG042-048, DXHG048	38.88	19.75	WSHPPND00015
EXHG060-070, DXHG060-070	47.88	19.75	WSHPPND00016

Expansion Valve

The refrigerant flow metering is made through the thermal expansion valve (TXV). It allows the unit to operate with an entering fluid temperature from 25°F to 86°F in the heating mode and 45°F to 120°F in the cooling mode and entering air temperatures from 55°F to 85°F. The valve is designed to meter refrigerant flow through the circuitry to achieve desired heating or cooling. Unlike cap-tube assemblies, the expansion valve device allows the exact amount of refrigerant required to meet the coil load demands. This precise metering by the TXV increases the efficiency of the unit and eliminates the need for a water regulating valve.



Hanging Device

The hanging bracket resides on each side of the three hanging rails of the horizontal 0.75 to 6 ton equipment. The brackets are factory mounted to shorten job installation requirements. The structural integrity of the design helps assure no bracket deflection or unit bowing from the unit's weight. Isolation for the hanging bracket is provided with a neoprene rubber grommet design. This isolation device helps prevent sound vibration from reaching the structural support members of the building during compressor start and stop.

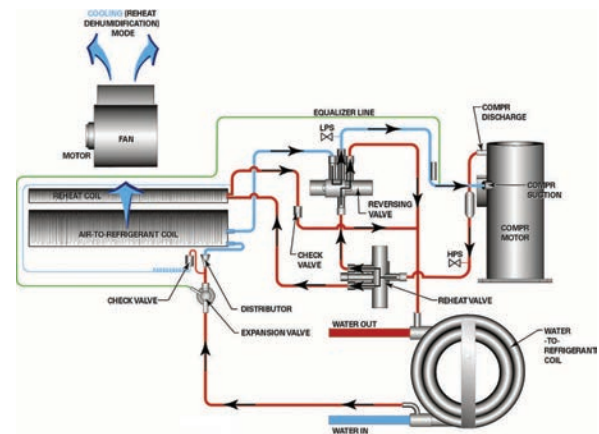


Hot Gas Reheat

For space conditioning and climate control, Trane provides an accurate and cost effective dehumidification control through a hot gas reheat option.

With this reheat option, the return air from the space is conditioned by the air-to-refrigerant coil, then reheated by the reheat coil to control not only the space temperature, but to also reduce the relative humidity of the space. The moisture removal capability of a specific heat pump is determined by the units latent capacity rating.

When operating in the reheat mode (meaning the sensible temperature has been met in the space), the humidistat signals the reheat relay coil to energize, allowing the high pressure refrigerant gas to flow from the compressor, through the reheat valve, into the reversing valve, and through the reheat coil for dehumidification. Trane places an air separation space between the air-to-refrigerant coil, and the reheat coil to allow for maximum moisture removal.



Hot Gas Reheat - Applications

The hot gas reheat option is designed to support building applications requiring fresh-air ventilation units delivering unconditioned-air directly to the space. It also provides dehumidification to large latent load spaces such as auditoriums, theaters and classrooms, or anywhere humidity control is a problem.

Hot Gas Reheat - Design

Water-source heat pumps with hot gas reheat should not be used as a make-up air unit.

Water regulating valves should not be used with the hot gas reheat option. Trane places a thermal expansion valve on all water-source heat pumps, as well as ground-source heat pumps, to regulate refrigerant flow vs. water flow, making the heat pump more efficient to run.

Motorized Water Valve

The motorized water valve is installed on the return line of the water loop system between the loop and the loop's pump module.

When the compressor begins running, the two-position valve will open, allowing water to flow through the unit. As the compressor shuts down, the valve slowly closes off. The main purpose of the motorized valve is to shut-off the flow of water through the unit when the unit is off, thus reducing pump energy consumption. The two-position motorized valve is fast opening to prevent compressor trip-out, and slow closing to prevent water hammer.

Pump Module

The pump module and hose kit make a complete self-contained pumping package for distributed pumping systems. These kits contain all the necessary components for the installation, operation and maintenance of the water circuit of a closed loop geothermal application. Standard pump module features include insulated Grundfos pumps, insulated cabinet or cast iron pump, and 3-way brass valves. Literature number WSHP-SVN001-EN will provide electrical and dimensional requirements for the PMCA products.





Features and Benefits

Pump Module Hose Kit

The pump module hose kit consists of two brass, 3/4 in. or 1 in., external pipe thread (MPT)-by-barb fittings; two brass 90° 1-inch, MPT-by-barb elbows with pressure/temperature ports; and 10 ft of rubber hose with 4 hose clamps. The pump module hose kit is available separately from the pump module.



Refrigerant Piping

The unit's copper tubing is created from a 99% pure copper formation that conforms to the American Society of Testing (ASTM) B743 for seamless, light-annealed processing.

The unit's copper refrigeration system is designed to be free from contaminants and conditions such as drilling fragments, dirt, or oil. This excludes the possibility of these contaminants from damaging the compressor motor.

Reversing Valve

A system reversing valve (4-way valve) is included with all heating/ cooling units. This valve is piped to be energized in the cooling mode to allow the system to provide heat if valve failure were to occur. Once the valve is energized for cooling, it will remain energized until the control system is turned to the “OFF” position, or a heating cycle is initiated.



Schrader Connections

The Schrader/CoreMax® connections for the low and high side of the refrigeration system are located directly beside the control box at the front, service access panel. EXVG/DXVG Schrader/Coremax connections shown. EXHG/DXHG connections will be located on the suction and discharge lines with access from unit front.



Sound Attenuation Package

Testing of conventional units has identified that the sound radiated by the casing of the unit is an important component of the sound that reaches occupants, especially when the unit is located directly over the occupied space.

This sound reduction package reduces radiated noise from the cabinet. Trane® double-isolates the compressor and single-isolates the co-axial coil in the unit. This design absorbs the vibration that contributes to radiated sound. For sound critical spaces, an enhanced sound package as described in the following table provides additional attenuation.

Table 3. Sound package

Standard Sound Attenuation Package	Deluxe Sound Attenuation Package (Option) ^(a)
Lined compressor enclosure with 1/2-inch cabinet insulation	Panel Mass Loading
14-gauge compressor/water-to-refrigerant heat exchanger pan with second stage of vibration isolation	Larger Blowers
Compressor double vibration isolation	Cabinet insulation thickness of 2-inch in certain areas
Water-to-refrigerant heat exchanger vibration isolation	Compressor blanket
Unit base stiffeners	

^(a) Different combinations of these attenuation treatments may be applied for the deluxe sound option depending on unit size and cabinet configuration.

Water Connections

The water-in/water-out connections to the co-axial water coil are located on the right-hand corner of the unit. The water connection devices are constructed of copper material and include an internal pipe thread (NFPT) junction. The connections are attached to the unit's corner to alleviate the need for a back-up wrench during installation.



Waterside Economizer (Option)

The beauty of the waterside economizer is its ability to take advantage of any loop condition that results in cool water temperatures. A prime example would be during fall, winter and spring when cooling towers have more capacity than required and could be controlled to lower temperatures for economizer support.

Another more common inexpensive means of free comfort cooling includes buildings systems where perimeter heating and core cooling are needed. In this system, the perimeter units extract heat from the building loop while in the heating mode, forcing the building loop temperature to drop. Where as, the core are of a building may require cooling in summer or in winter based upon lighting, people and equipment.



Features and Benefits

Waterside Economizer Package

The waterside economizer is available on all 0.75 to 6 ton models.

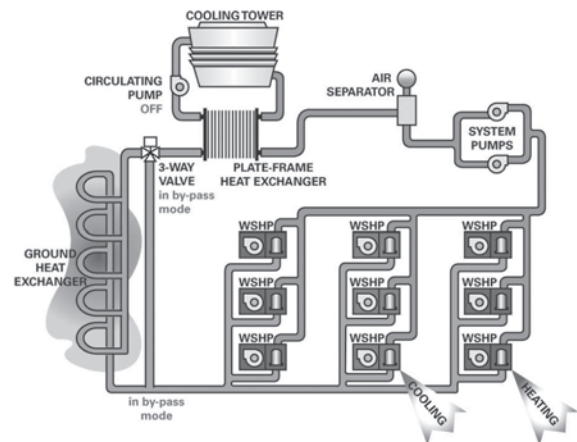
Note: *Condensate overflow protection for the waterside economizer coil is field provided.*



Waterside Economizer System

If the water-source system design contains an economizing coil option, the moderate temperature loop water circulated through a core water-source system can provide an inexpensive means to satisfy room comfort without operating the water-source heat pump's compressor.

During economizer mode, fluid enters the unit, and passes by a water temperature sensing bulb. This temperature sensing bulb determines whether the two position, three-way valve will direct the water through the waterside economizing coil, and to the heat pump condenser, or through the condenser only. If the water temperature is 55°F or less, fluid will flow into the economizing coil, while simultaneously halting mechanical operation of the compressor. Mechanical cooling will continue on a call for second stage from the thermostat.



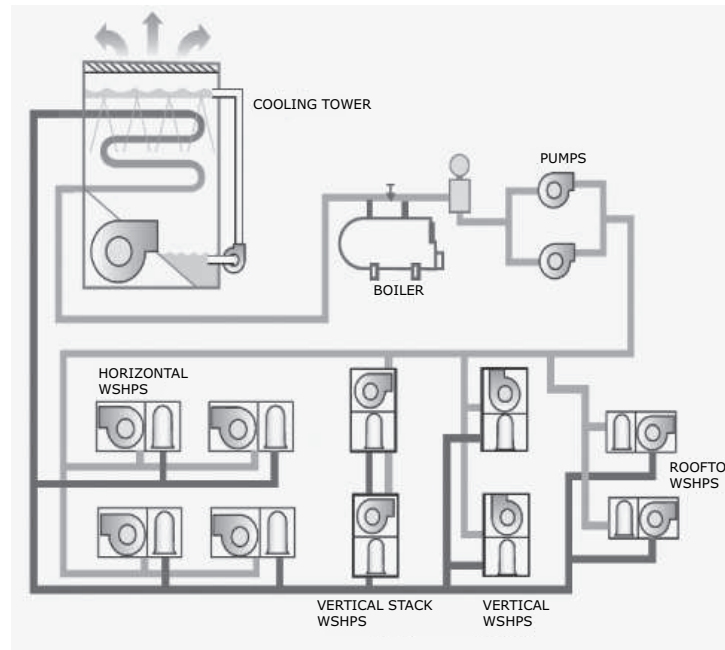
Application Considerations

Systems

Water-source heat pump systems are used to provide comfort in a wide range of building types and climates. The system utilizes energy-conserving, heat-recovery capabilities to transfer heat from one area to another to meet individual zone requirements. When used with system design and control strategies, these high-performance systems reduce operating costs for the building owner and improving occupant comfort.

Heat pump units are available in many different configurations and the design simplicity can be adapted to suit almost any building plan. The vertical and horizontal water-source heat pump system is versatile for installation in a boiler/cooling tower applications, as well as ground source (geothermal) applications.

Figure 3. Conventional water-source heat pump system



Boiler/Cooling Tower

In this type of system, units are distributed throughout the building to provide cooling and heating to the space. Units are connected to a water distribution loop which circulated water throughout the building to transfer heat from one area to another. This common water loop yields what is essentially a heat-recovery system. Units providing heating extract heat from loop water while units providing cooling reject heat to the loop. In effect the system recovers and redistributes heat where needed.

Also connected to this water loop are a heat rejecter such as a cooling tower, a heat adder such as a boiler, circulation pumps, and related accessories. Typically, outdoor air is conditioned and delivered by a separate, dedicated ventilation system.

During warm weather when all or most of the units are cooling, the cooling tower is used to dissipate heat from the condensing process. The condensing water is cooled for recirculation back to the water-to-refrigerant heat exchanger by using a combination of heat and mass transfer by evaporation.

A boiler is also used to add heat to the water loop during winter months when most units are heating. The boiler is typically enabled when the water loop temperature falls to a minimum value.

During moderate weather, such as spring or fall, the heat pumps serving the sunny side and interior of the building often operate in cooling mode and reject heat into the water loop. The heat pumps serving the shady side of the building often operate in heating mode and absorb heat from the water loop.

Heat rejected by the units operating in cooling mode is used to offset the heat absorbed by the units in heating mode. In this manner, a WSHP system provides a form of heat recovery and an opportunity to

Application Considerations

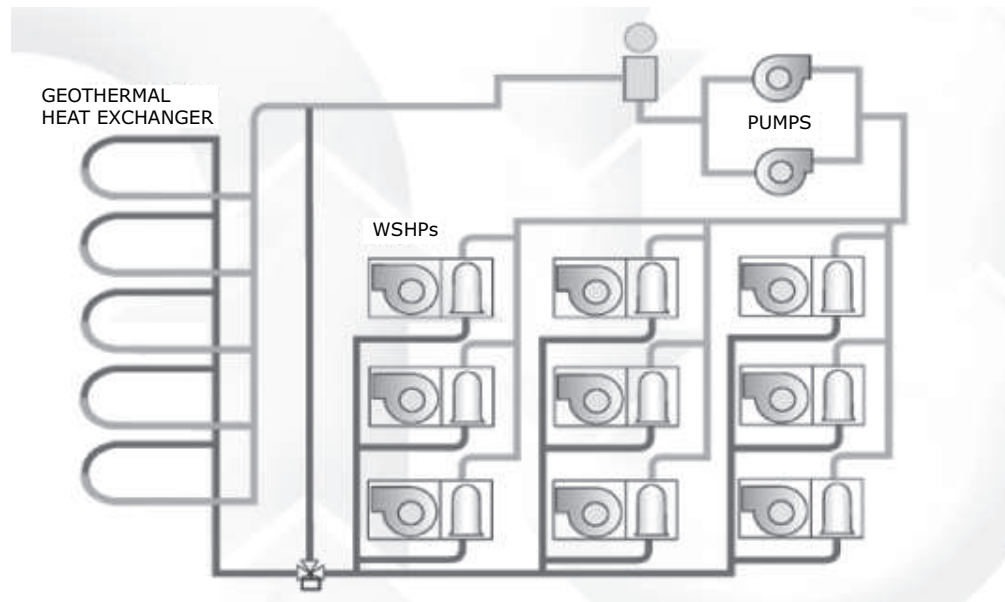
save energy by reducing the need to operate the boiler or cooling tower. For example, if the water temperature stays in the desired range-between 60°F (16°C) and 90°F (32°C)-neither the boiler nor the cooling tower need to operate.

In applications such as office buildings, heat generated by lights, people, and office equipment often results in the need to provide year-round cooling in the interior zones of the building. In these applications, the benefit of this heat recovery further reduces boiler energy use during the winter months.

Ground Source

The advantages of a geothermal heat pump system can potentially minimize heating and cooling cost by 30 to 40 percent. In this application the cooling tower and boiler are replaced with a ground heat exchanger. The ground heat exchanger is a series of pipes buried in the earth. The earth is used as an energy storage tank. Ground-source heat pump systems offer the potential for saving energy because they can reduce (or eliminate) the energy needed to operate a cooling tower and/or boiler. Eliminating the cooling tower has architectural and maintenance advantages, and eliminating the boiler frees up floor space in the building.

Figure 4. Ground source heat pump system



The fluctuating temperatures of fluid from the earth are more stable than air, allowing the equipment to operate at a lower discharge pressure and use fewer kilowatts. The constant earth temperature will heat or cool the fluid running through buried high density polyethylene pipe to provide heating and cooling to a building.

A geothermal loop can be installed either horizontally or vertically. Vertical loops require less overall land area to reject (i.e., sink) the excess heat from the building. Horizontal loops require trenches in the ground spanning a larger overall land area.

Although external piping is the responsibility of the installer and/or piping manufacturer, many electric utilities and rural electric cooperatives are offering monetary incentives to install geothermal systems. Utility companies offer the incentives because of reduced peak loads that flatten out their demand curve over time, and save them money. These savings are ultimately transferred to the consumer.

Hybrid Systems

Hybrid systems involve adding a small cooling tower or dry cooler to a ground source system that is installed in a cooling-dominated climate or adding a small boiler to a system in a heating-dominated climate. In either case, the geothermal heat exchanger is sized based on the smaller of the two loads: for the total heat absorbed in a cooling-dominated climate or the total heat rejected in a heating-dominated climate. Then, a small cooling tower (or boiler) is added to reject (or add) the remaining heat.

A hybrid system may also be used in existing buildings with existing ground loops as additional rooms or buildings are added to the system. A cooling tower may be the solution to off-load the peak demand of the new building addition as an example. Other additions may include a requirement for fresh-air ventilation. A fresh-air, air handler, along with a water to water unit may be introduced to the closed loop system to allow tempered fresh-air into the building.

The buildings heating and cooling needs are not based off of one type of component, but perform harmonious of each other. Heat recovery from the loop itself can be shared with the other major components.

Hybrid systems can often make the system more economical, opening up the possibility to reap the potential energy savings.

Figure 5. Hybrid system

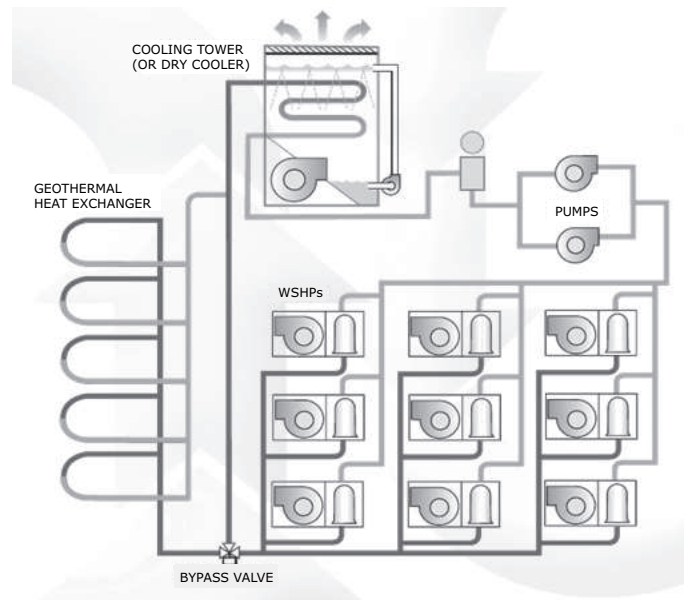
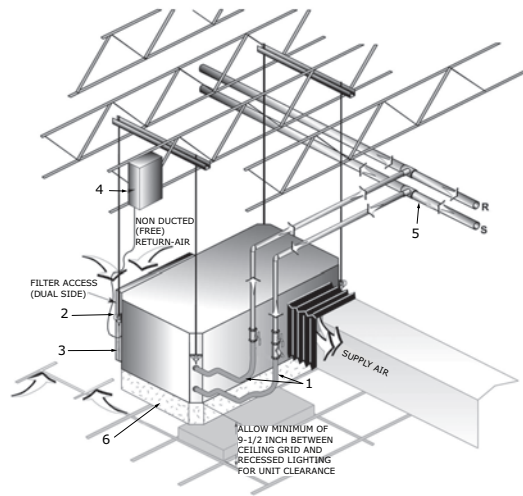


Figure 6. Central pumping system


Units that employ a central pumping system contain single or dual pumps to fulfill pumping requirements for the entire building system.

The central system's supply and return lines should be sized to handle the required flow with a minimum pressure drop.

The water-source heat pump (EX/DXH) may include add-on accessories to help aid in system balancing, acoustics and safety requirements.

Some of these items may be ordered from the factory, then field installed. Many are provided by the contractor.

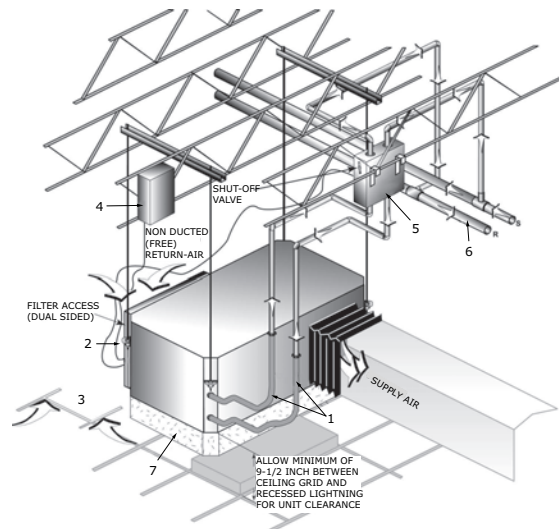
- Hose kits (item 1) are used to connect the water supply and return line to the water inlets and outlets. Trane offers various hose kit combinations to better facilitate system flow balancing. These flexible hoses also aid in the reduction of vibration between the unit and the rigid central piping system.
- A two position isolation valve is often applied to systems which incorporate variable frequency pumping. This valve is capable of stopping/starting water flow to the unit, which in-turn reduces the pumping requirements for the entire system.
- The unit's (item 2) 3/4-inch high voltage and (item 3) 0.5-inch low voltage connections are located on the left corner of the unit. They are designed to accept conduit.
- A field supplied line voltage disconnect (item 4) should be installed for branch circuit protection. Check local codes for requirements.
- The central system supply and return lines (item 5) should be sized to handle the required flow with a minimum pressure drop.

Note: Pipe will sweat if low temperature water is below the dew point of the surrounding space.

Trane recommends that these lines be insulated to prevent damage from condensation when condenser loop is designed to be below 60°F. Equipment installed in attic/crawl space temperatures below 40°F may require antifreeze in the water loop.

- For acoustically sensitive areas, a six-inch deep fiberglass insulation (item 6) is recommended to be field installed below the horizontal unit. This field supplied insulation should be approximately twice the footprint size of the unit. It provides sound damping of the unit while in operation.

Figure 7. Distributed pumping system



A distributed pumping system contains either a single or dual pump module, specifically sized for each water-source heat pump, then connected directly to the units supply and return lines. The distributed system's supply and return lines should be sized to handle the required flow with a minimum pressure drop.

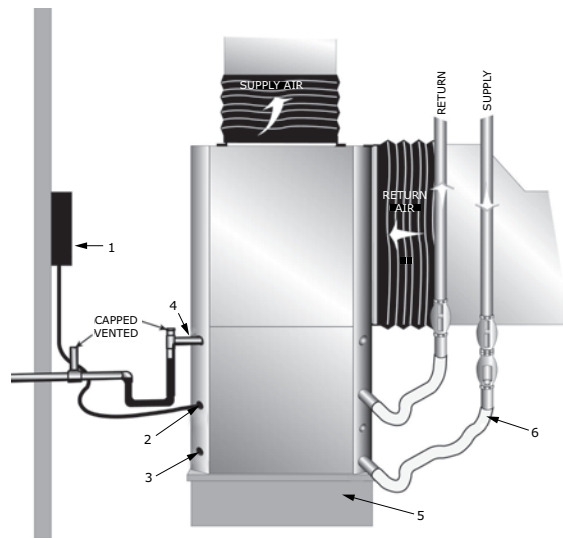
- Hose kits (item 1) are used to connect the water supply and return line to the water inlets and outlets. Trane offers various hose kit combinations to better facilitate system flow balancing. These flexible hoses also aid in the reduction of vibration between the unit and the rigid central piping system.
- The unit's (item 2) 3/4-inch high voltage and (item 3) .5-inch low voltage connections are located on the left corner of the unit. They are designed to accept conduit.
- A field supplied line voltage disconnect (item 4) should be installed for branch circuit protection. Check local codes for requirements.
- Trane's self-contained pump module (item 5) and hose kit make a complete pumping package for distributed pumping systems. The module is designed for circulating commercial loops that require a maximum flow rate of 20 gpm. Each pump module is fully assembled for connection to water and electrical points. The kit contains all of the necessary components for the installation, operation and maintenance of a closed loop application. See WSHPC-IN-5 (72-9006-03) for electrical and dimensional requirements
- The distributed pumping system supply and return lines (item 6) should be sized to handle the required flow with a minimum pressure drop.

Note: Pipe will sweat if low temperature water is below the dew point of the surrounding space.

Trane recommends that these lines be insulated to prevent damage from condensation when condenser loop is designed to be below 60°F. Equipment installed in attic/crawl space temperatures below 40°F may require antifreeze in the water loop.

- For acoustically sensitive areas, a six-inch deep fiberglass insulation (item 7) is recommended to be field installed below the horizontal unit. This field supplied insulation should be approximately twice the footprint size of the unit. It provides sound damping of the unit while in operation.

Figure 8. Installation of the 0.75 to 6 tons vertical



Whether securing the 0.75 to 6 tons to a central pumping system, or a distributed pumping system, Trane recommends a few accessory considerations to the system installation.

- The field supplied line voltage disconnect (1) should be installed for branch circuit protection.
- The units (2) 3/4-inch high voltage and (3) 0.5-inch low voltage connections are located on the left corner of the unit. They are designed to accept conduit.
- Trane recommends that the condensate system (4) be set-up per negative pressure trapping in consideration of the unit's draw-through design. With this properly trapped system, when condensate forms during normal operation, the water level in the trap rises until there is a constant outflow. Refer to the Axiom™ Installation and Operations manual for negative pressure trapping guidelines.

Note: Condensate connection for EXV/DXV models is on the right-hand side of the unit.

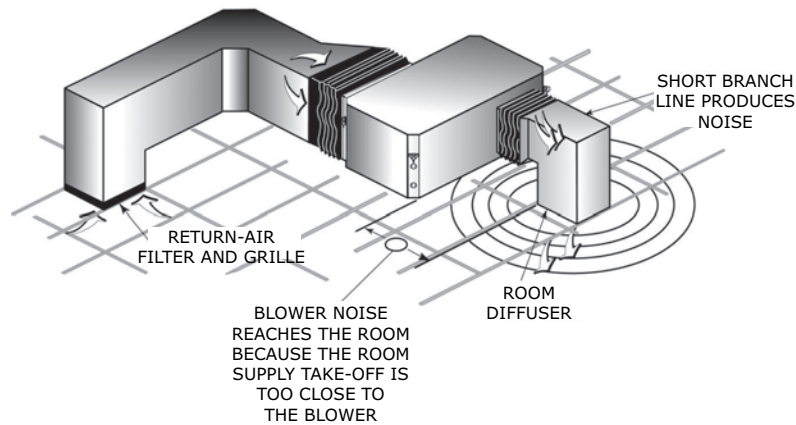
- For acoustically sensitive areas, a 0.5-inch thick field provided vibration pad (5) should be installed below the vertical unit. This field provided piece should be equal to the overall foot-print size of the unit to provide sound damping of the unit while in operation.
- Hose kits (6) are used to connect the water supply and return lines to the water inlet and outlets. Trane includes various hose kit combinations to better facilitate system flow balancing. These flexible hoses, reduce vibration between the unit and the rigid piping system.

Duct Design for Noise Control

Proper acoustics are often a design requirement. Most of the problems that are associated with HVAC generated sound can be avoided by properly selecting and locating the components of the system. Acoustical modeling should be used to find the lowest cost design to meet a specific sound requirement, however, there are some general do's and don'ts that should be observed.

Improper Supply Air-Ducting

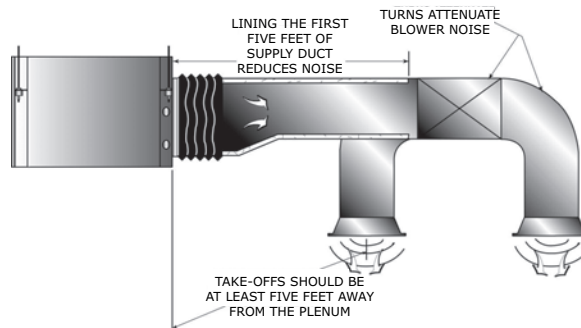
The figure below shows a supply air duct that is placed too close to the blower to provide substantial noise attenuation. It also, represents the effects on sound that a short supply branch connected to the discharge may produce. Avoid these forms of connections when designing ductwork where noise attenuation is critical.



The following suggestions will reduce the amount of sound that reaches the occupied space:

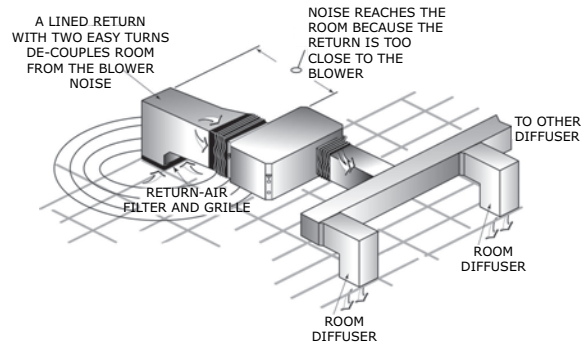
- Design the duct run with two 90° turns
- Line the first 5 feet of the supply trunk
- Line elbows and transition pieces, as well as a short distance upstream and downstream of the fittings
- Use flexible connections to isolate vibrations
- Provide multiple discharges
- Keep duct velocity low

Figure 9. Desired supply air ducting



See [Figure 9, p. 23](#) for a positive representation of supply duct work design for noise attenuation on units over 1.5 tons.

Figure 10. Improper return-air ducting



Sound control applies to the return side of the duct design as well as the supply side. [Figure 10, p. 23](#) demonstrates a poor installation. Note that the return air opening is close to the cabinet of the unit.

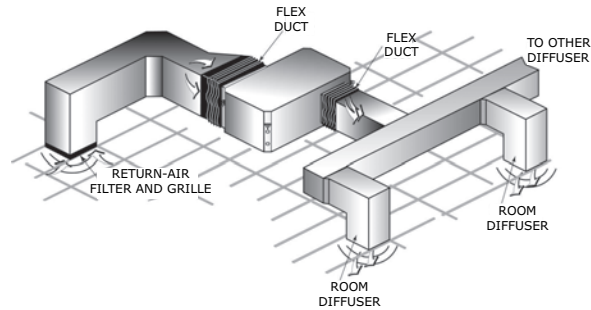
Figure 11. Proper return-air ducting


Figure 11, p. 24 graphic represents proper installation of return-air duct. This includes:

- Two 90° bends prior to the intake
- Lining the first 10 feet of the return air duct
- Locating the return-air intake away from the unit blower

A duct system design that takes noise control into account:

- Keeps air flow velocities low
- Uses aerodynamic fittings
- Uses a duct liner if metal duct is applied
- Avoids line-of-sight connections between a noise source and an outlet
- Avoids line-of-sight connection between a noise source and an inlet
- Properly locates balancing dampers
- Seals cracks, seams, and joints in the duct run and equipment panels
- Blocks transmission through walls, ceiling and floors
- Mounts and supports the ductwork with isolation devices that absorb vibration
- Uses flexible duct connections
- Uses flexible braided hoses on the water connections

Water Flow Control

Trane's Axiom product line features thermal expansion valves on every unit. The operating range for the TXV is between 45°F and 120°F for cooling and between 25°F and 86°F for heating. On systems that expect low water temperatures, a waterside economizer can be employed to eliminate the need to operate the compressors and take full advantage of "free cooling." Water regulating valves are not recommended.

A two-position isolation valve is recommended for use with the Axiom WSHP unit on systems utilizing variable water flow. The two-position isolation valve allows full water flow through the unit when the compressor is in operation. When the compressor is off, the valve closes and shuts off water flow to the unit allowing the system pumps to unload and operate more efficiently. Isolation valves are typically provided as part of the hose kit and connect to the unit terminal strip. A variety of manual and automatic flow control kits including hoses are available as accessories for balancing a water source heat pump system. For a complete product listing, refer to the Hose Kit Accessories product catalog, WSHP-PRC025*-EN.



Model Number Description

EXVH/DXVH Models

Digits 1–3 — Unit Configuration

EXV = High Efficiency Vertical
DXV = Two-stage High Efficiency Vertical
EXH = High Efficiency Horizontal
DXH = Two-stage High Efficiency Horizontal

Digit 4 — Development Sequence

G

Digits 5–7 — Nominal Size (MBH)

009 = 9.0 MBH (EX only)
012 = 12.0 MBH (EX only)
015 = 15.0 MBH (EX only)
018 = 18.0 MBH (EX only)
024 = 24.0 MBH
030 = 30.0 MBH (EX only)
036 = 36.0 MBH
042 = 42.0 MBH (EX only)
048 = 48.0 MBH
060 = 60.0 MBH
070 = 70.0 MBH

Digit 8 — Voltage (Volts/Hz/Phase)

4 = 460/60/3
7 = 265/60/1
A = 208-230/60/1
B = 208-230/60/3

Digit 9 — Heat Exchanger

1 = Copper-Water Coil
2 = Cupro-Nickel Water Coil
7 = Insulated Copper-Water Coil/Suction Line
8 = Insulated Cupro-Nickel Water Coil/Suction Line

Digit 10 — Design Sequence

A = First Design Sequence

Digit 11 — Refrigeration Circuit

0 = Heating and Cooling Circuit
2 = Heating and Cooling Circuit with Hot Gas Reheat
3 = Heating and Cooling Circuit with Waterside Economizer
4 = Heating and Cooling Circuit with Waterside Economizer, Hot Gas Reheat

Digit 12 — Blower Configuration

K = Variable ECM Motor, Constant Torque

Digit 13 — Freeze Protection²

A = 20°F Freezestat (For Glycol Loop)
B = 35°F Freezestat (For Water Loop)

Digit 14 — Open Digit = 0

Digit 15 — Supply-Air Arrangement

T = Top Supply-Air Arrangement
B = Back Supply-Air Arrangement
L = Left Supply-Air Arrangement
R = Right Supply-Air Arrangement

Digit 16 — Return-Air Arrangement

L = Left Return-Air Arrangement
R = Right Return-Air Arrangement

Digit 17 — Control Types

D = Deluxe 24V Controls
H = Symbio™ 400-B/UC400-B
J = Symbio 400-B/UC400-B w/Air-Fi® Wireless Communications

Digit 18 — Tstat/Sensor Location

0 = Wall Mounted Location

Digit 19 — Fault Sensors

1 = Condensate Overflow Sensor
3 = Condensate Overflow and Filter Maintenance Timer
6 = Condensate Overflow and Fan Status
J = Fan Status, Filter Maintenance Timer and Condensate Overflow Sensor

Digit 20 — Temperature Sensor

0 = No Additional Temperature Sensor
1 = Entering Water Sensor

Digit 21 — Insulation

1 = Matte Faced Insulation
2 = Foil Faced Insulation

Digit 22 — Electric Heat

0 = No Electric Heat
6 = Field Mounted External Boilerless LOW Electric Heat
7 = Field Mounted External Boilerless MED Electric Heat
8 = Field Mounted External Boilerless HIGH Electric Heat
9 = Boilerless Electric Heat Ready

Digit 23 — Unit Mounted Disconnect

0 = No Unit Mounted Disconnect
2 = Unit Mounted Disconnect

Digit 24 — Filter Type

1 = 1-inch Throwaway Filter
2 = 2-inch Throwaway Filter
4 = 2-inch MERV 8
5 = 2-inch MERV 13

Digit 25 — Acoustic Arrangement

1 = Standard Sound Attenuation
2 = Deluxe Sound Attenuation

Digits 26–36 — Does Not Apply

0000000000 = Digits 26-36 are not applicable to the EXV or DXV products

Digit 37 — Ducted Filter Rack

0 = Non-ducted filter rack
A = Ducted Filter Rack Side Access/LH-RH
C = Ducted Filter Rack (Bottom Access)

Digit 38 — Isolation Valve

0 = No Isolation Valve
1 = Factory Mounted Isolation Valve

Digit 39 — Power Connection

1 = Single Point
2 = Electric Heat Power Separate from Unit

Digit 40 — Drain Pan

A = Polymer Drain Pan
B = Stainless Steel Drain Pan

Model Number Note:

Notes:

1. Deluxe Sound option to be made available in later product release.
2. 20°F Freezestat is typically used in a geothermal application. 35°F Freezestat is typically used in a boiler/tower application



General Data

Table 4. Models EXHG009–024

Model EXHG	009	012	015	018	024
Unit Size depth x length x height (in.)	25.5 x 46 x 17.75	25.5 x 46 x 17.75	25.5 x 49 x 18.75	25.5 x 55 x 19.75	25.5 x 55 x 19.75
Compressor type	Rotary	Rotary	Rotary	Rotary	Scroll
Net weight (lbs.)	173	173	173	269	269
Ship weight (lbs.)	297	297	297	393	393
Filter size actual (in.)	16 x 19	17 x 19	17 x 20	18 x 23	19 x 23
Water in/out size (FPT)	1/2	1/2	1/2	3/4	3/4
Condensate size (NPTI)	3/4	3/4	3/4	3/4	3/4
Blower wheel Size (in.)	9 x 8	9 x 8	10 x 8	10 x 9	10 x 9

Table 5. Models EXHG030–070

Model EXHG	030	036	042	048	060	070
Unit Size depth x length x height (in.)	28 x 68 x 21.75	28 x 68 x 21.75	29.38 x 77.75 x 22.13	29.38 x 77.75 x 22.13	29.38 x 86.75 x 22.13	29.38 x 86.75 x 22.13
Compressor type	Scroll	Scroll	Scroll	Scroll	Scroll	Scroll
Net weight (lbs.)	313	313	381	381	434	434
Ship weight (lbs.)	458	458	560	560	613	613
Filter size actual (in.)	20 x 30	20 x 30	20 x 20 (qty-2)	20 x 20 (qty-2)	30 x 20 20 x 20	30 x 20 20 x 20
Water in/out size (FPT)	3/4	3/4	1	1	1	1
Condensate size (NPTI)	3/4	3/4	3/4	3/4	3/4	3/4
Blower wheel Size (in.)	11 x 11	11 x 11	11 x 11	11 x 11	11 x 11	11 x 11

Table 6. Models DXHG024–070

Model DXHG	024	036	048	060	070
Unit Size depth x length x height (in.)	25.5 x 55 x 19.75	28 x 68 x 21.75	29.38 x 77.75 x 22.13	29.38 x 86.75 x 22.13	29.38 x 86.75 x 22.13
Compressor type	Two-Stage Scroll	Two-Stage Scroll	Two-Stage Scroll	Two-Stage Scroll	Two-Stage Scroll
Net weight (lbs.)	269	313	381	434	434
Ship weight (lbs.)	393	458	560	613	613
Filter size actual (in.)	18 x 23	20 x 30	20 x 20 (qty-2)	30 x 20 20 x 20	30 x 20 20 x 20
Water in/out size (FPT)	3/4	3/4	1	1	1
Condensate size (NPTI)	3/4	3/4	3/4	3/4	3/4
Blower wheel Size (in.)	10 x 9	11 x 11	11 x 11	11 x 11	11 x 11

Table 7. Models EXVG009–030

Model EXVG	009	012	015	018	024	030
Unit Size width x depth x height (in.)	21.5 x 21.5 x 34	21.5 x 21.5 x 34	21.5 x 23 x 36	21.5 x 26 x 38	21.5 x 26 x 38	24 x 32.5 x 42
Compressor type	Rotary	Rotary	Rotary	Rotary	Scroll	Scroll
Net weight (lbs.)	152	152	188	222	236	280
Ship weight (lbs.)	207	207	246	282	296	343
Filter size nominal (in.)	16 X 19	16 X 19	17 X 20	18 X 23	18 X 23	20 X 30

Table 7. Models EXVG009–030 (continued)

Model EXVG	009	012	015	018	024	030
Water in/out size (FPT)	0.5	0.5	0.75	0.75	0.75	1
Condensate size (NPTI)	0.75	0.75	0.75	0.75	0.75	0.75
Blower wheel Size (in.)	9 x 8	9 x 8	10 x 8	10 x 9	10 x 9	11 x 11

Table 8. Models EXVG036–070

Model EXVG	036	042	048	060	070
Unit Size width x depth x height (in.)	24 x 32.5 x 42	25.4 x 32.5 x 49	25.4 x 32.5 x 49	25.4 x 32.5 x 55	25.4 x 32.5 x 55
Compressor type	Scroll	Scroll	Scroll	Scroll	Scroll
Net weight (lbs.)	281	329	345	367	432
Ship weight (lbs.)	344	394	410	436	501
Filter size nominal (in.)	20 X 30	27 X 30	27 X 30	30 X 33	30 X 33
Water in/out size (FPT)	1	1	1	1	1
Condensate size (NPTI)	0.75	0.75	0.75	0.75	0.75
Blower wheel Size (in.)	11 x 11	11 x 11	11 x 11	11 x 11	11 x 11

Table 9. Models DXVG024–070

Model DXVG	024	036	048	060	070
Unit Size width x depth x height (in.)	21.5 x 26 x 38	24 x 32.5 x 42	25.4 x 32.5 x 49	25.4 x 32.5 x 55	25.4 x 32.5 x 55
Compressor type	Two-Stage Scroll	Two-Stage Scroll	Two-Stage Scroll	Two-Stage Scroll	Two-Stage Scroll
Net weight (lbs.)	236	279	354	371	437
Ship weight (lbs.)	296	342	419	440	506
Filter size nominal (in.)	18 x 23	23 x 30	27 x 30	30 x 33	30 x 33
Water in/out size (FPT)	0.75	1	1	1	1
Condensate size (NPTI)	0.75	0.75	0.75	0.75	0.75
Blower wheel Size (in.)	10 x 9	11 x 11	11 x 11	11 x 11	11 x 11

Table 10. Models EXHG009–070 air-to-refrigerant coil

Model EXHG	009-012	015	018-024	030-036	042-060	070
Working pressure (psig)	650	650	650	650	650	650
Tubes high	16	17	18	20	20	20
Tubes deep	3	3	3	3	3	3
No. of circuits	1	2	3	5	5	6
Finned vol. (h,w,d)	16 x 17.25 x 2.6	17 x 18.75 x 2.6	18 x 21.75 x 2.6	20 x 28.25 x 2.6	20 x 38 x 2.6	20 x 47 x 2.6
Coil surface area (Sq. Ft.)	1.92	2.21	2.72	3.92	5.28	6.53
Fins per inch	14	14	14	14	14	14
Tube Material	Copper	Copper	Copper	Copper	Copper	Copper
Tube OD (in.)	3/8	3/8	0.375	3/8	3/8	3/8
Wall thickness	0.014	0.014	0.014	0.014	0.014	0.014
Return bends	Copper	Copper	Copper	Copper	Copper	Copper



General Data

Table 11. Models DXHG024–070 air-to-refrigerant coil

Model DXHG	024	036	048	060-070
Working pressure (psig)	650	650	650	650
Tubes high	18	20	20	20
Tubes deep	3	3	3	3
No. of circuits	3	5	5	6
Finned vol. (h,w,d)	18 x 21.75 x 2.6	20 x 28.25 x 2.6	20 x 38 x 2.6	20 x 47 x 2.6
Coil surface area (Sq. Ft.)	2.72	2.72	5.28	6.53
Fins per inch	14	14	14	14
Tube Material	Copper	Copper	Copper	Copper
Tube OD (in.)	3/8	0.375	0.375	0.375
Wall thickness	0.014	0.014	0.014	0.014
Return bends	Copper	Copper	Copper	Copper

Table 12. Models EXVG009–070 air-to-refrigerant coil

Model EXVG	009-012	015	018-024	030-036	042-048	060-070
Working Pressure (psig)	650	650	650	650	650	650
Tubes High	16	17	20	20	27	33
Tubes Deep	3	3	3	3	3	3
No. of Circuits	1	2	3	5	5	6
Finned vol. (h,w,d)	16 x 17.25 x 2.6	17 x 18.75 x 2.6	18 x 21.75 x 2.6	20 x 28.25 x 2.6	27 x 28.25 x 2.6	33 x 28.25 x 2.6
Coil Surface Area (Sq. Ft.)	1.92	2.21	3.02	3.92	5.3	6.47
Fins per Inch	14	14	14	14	14	14
Tube Material	Copper	Copper	Copper	Copper	Copper	Copper
Tube OD (in.)	0.375	0.375	0.375	0.375	0.375	0.375
Wall Thickness	0.014	0.014	0.014	0.014	0.014	0.014
Return Bends	Copper	Copper	Copper	Copper	Copper	Copper

Table 13. Models DXVG024–070 air-to-refrigerant coil

Model DXVG	024	036	048	060	070
Working Pressure (psig)	650	650	650	650	650
Tubes High	20	20	27	33	33
Tubes Deep	3	3	3	3	3
No. of Circuits	3	5	5	6	6
Finned vol. (h,w,d)	18 x 21.75 x 2.6	20 x 28.25 x 2.6	27 x 28.25 x 2.6	33 x 28.25 x 2.6	33 x 28.25 x 2.6
Coil Surface Area (Sq. Ft.)	3.02	3.92	5.3	6.47	6.47
Fins per Inch	14	14	14	14	14
Tube Material	Copper	Copper	Copper	Copper	Copper
Tube OD (in.)	0.375	0.375	0.375	0.375	0.375
Wall Thickness	0.014	0.014	0.014	0.014	0.014
Return Bends	Copper	Copper	Copper	Copper	Copper



Performance Data

Table 14. ANSI/AHRI/ASHRAE/ISO13256-1 WLHP, GWHP and GLHP performance - 0.75 to 6 tons

Model	Rated GPM	Rated CFM	Water Loop Heat Pump				Ground Water Heat Pump				Ground Loop Heat Pump			
			Cooling 86°F		Heating 68°F		Cooling 59°F		Heating 50°F		Full Cool 77°F		Full Heat 32°F	
			Capacity Btuh	EER	Capacity Btuh	COP	Capacity Btuh	EER	Capacity Btuh	COP	Capacity Btuh	EER	Capacity Btuh	COP
EXV/H009	2.25	285	7900	16.10	9900	5.6	8800	25.0	8200	4.8	8300	18.8	6100	3.7
EXV/H012	3.00	380	11600	16.40	15200	5.8	13700	27.9	12300	5.0	12300	19.5	9300	4.0
EXV/H015	3.75	475	15100	16.10	18700	5.3	17000	25.8	15300	4.6	15800	19.0	12100	3.8
EXV/H018	4.50	570	18800	17.60	23600	5.7	21100	28.7	18800	4.9	19600	20.6	14600	4.1
EXV/H024	6.00	760	24600	17.40	32100	5.7	27400	27.2	25900	5.0	25600	20.3	19500	3.9
EXV/H030	7.50	950	31400	17.80	38400	5.8	35000	27.2	31000	5.0	32800	20.7	23600	4.1
EXV/H036	9.00	1140	35500	17.60	43100	5.8	39400	26.5	35000	5.0	37100	20.4	27200	4.1
EXV/H042	10.50	1330	38400	18.00	48000	6.4	43300	27.5	38500	5.5	40500	21.1	29400	4.3
EXV/H048	12.00	1520	45400	17.70	55600	6.1	50400	26.4	44800	5.3	47100	20.3	34600	4.3
EXV/H060	15.00	1900	55700	17.50	69000	5.9	60800	25.7	55900	5.1	57700	20.1	42900	4.1
EXV/H070	17.50	2215	63800	17.30	82100	5.40	68900	24.90	66900	4.80	66100	19.80	52000	4.1

Note: Rated in accordance ANSI/AHRI/ASHRAE/ISO13256-1. Certified conditions are 80.6°F DB/66.2°F WB EAT in cooling and 68°F DB/59°F WB EAT in heating. Entering liquid temperature in cooling is 86°F for Water Loop, 77°F for Ground Loop (full load), 68°F for Ground Loop (part load), and 59°F for Ground Water. Entering liquid temperature in heating is 68°F for Water Loop, 32°F for Ground Loop (full load), 41°F for Ground Loop (part load), and 50°F for Ground Water.

Table 15. ANSI/AHRI/ASHRAE/ISO13256-1 WLHP, GWHP and GLHP performance - 2 to 6 tons

Model	Load	Rated GPM	Rated CFM	Water Loop Heat Pump				Ground Water Heat Pump				Ground Loop Heat Pump			
				Cooling 86°F		Heating 68°F		Cooling 59°F		Heating 50°F		Full Cool 77°F		Full Heat 32°F	
				Capacity Btuh	EER	Capacity Btuh	COP	Capacity Btuh	EER	Capacity Btuh	COP	Capacity Btuh	EER	Capacity Btuh	COP
DXV/H024	Full	6.0	760	24700	16.8	32100	5.5	27500	24.4	25700	4.9	25900	19.2	19400	3.9
DXV/H024	Part	6.0	608	18500	17.7	24100	5.9	20500	28.3	18900	4.9	20000	24.5	16300	4.3
DXV/H036	Full	9.0	1140	33000	17.3	40900	5.9	37100	25.1	32900	5.1	34500	19.7	25500	4.1
DXV/H036	Part	9.0	912	24500	18.3	30500	6.3	27600	29.3	24300	5.2	26600	25.2	21100	4.5
DXV/H048	Full	12.0	1520	45200	17.9	55200	6.1	50400	26.4	44400	5.3	46600	20.6	34500	4.3
DXV/H048	Part	12.0	1216	32800	18.7	40000	6.6	36900	31.2	31900	5.3	35700	26.7	28000	4.7
DXV/H060	Full	15.0	1900	52100	17.6	63900	6.0	56600	24.8	51700	5.2	53900	19.9	39800	4.2
DXV/H060	Part	15.0	1520	38300	18.7	47300	6.6	42000	29.9	37800	5.4	41000	25.8	32400	4.6
DXV/H070	Full	17.5	2215	64400	17.3	82700	5.4	69100	23.8	67400	4.8	66800	19.6	52900	4.0
DXV/H070	Part	17.5	1772	47100	18.9	59700	6.0	51100	29.7	48000	5.0	50000	25.6	42000	4.4

Note: Rated in accordance with ANSI/AHRI/ASHRAE/ISO13256-1. Certified conditions are 80.6°F DB/66.2°F WB EAT in cooling and 68°F DB/59°F WB EAT in heating. Entering liquid temperature in cooling is 86°F for Water Loop, 77°F for Ground Loop (full load), 68°F for Ground Loop (part load), and 59°F for Ground Water. Entering liquid temperature in heating is 68°F for Water Loop, 32°F for Ground Loop (full load), 41°F for Ground Loop (part load), and 50°F for Ground Water.

Cooling and Heating Capacities 0.75 tons

Table 16. Cooling capacities 0.75 tons (gross) - EXV/H009

EWT	GPM	Total Mbtuh	Sen Mbtuh	SHR	Comp Pwr kW	Reject Mbtuh	LWT	Feet Head
45	1.5	9.8	7.9	0.81	0.28	10.8	59.4	2.1
45	1.8	9.8	7.9	0.81	0.27	10.7	56.9	2.9
45	2.0	9.8	7.9	0.81	0.27	10.7	55.7	3.6



Performance Data

Table 16. Cooling capacities 0.75 tons (gross) - EXV/H009 (continued)

EWT	GPM	Total Mbtuh	Sen Mbtuh	SHR	Comp Pwr kW	Reject Mbtuh	LWT	Feet Head
45	2.3	9.8	7.9	0.81	0.26	10.7	54.5	4.4
45	2.4	9.8	7.9	0.81	0.26	10.7	53.9	5.0
45	2.5	9.8	7.9	0.81	0.25	10.7	53.6	5.3
45	2.7	9.9	8.0	0.81	0.25	10.8	53.0	6.1
55	1.5	9.5	7.8	0.82	0.35	10.7	69.3	1.9
55	1.8	9.5	7.8	0.82	0.33	10.6	66.8	2.7
55	2.0	9.5	7.8	0.82	0.33	10.6	65.6	3.3
55	2.3	9.6	7.9	0.82	0.32	10.7	64.5	4.1
55	2.4	9.6	7.9	0.82	0.32	10.7	63.9	4.6
55	2.5	9.6	7.9	0.82	0.32	10.7	63.6	4.9
55	2.7	9.6	7.9	0.82	0.31	10.7	62.9	5.6
68	1.5	9.1	7.6	0.84	0.42	10.5	82.0	1.7
68	1.8	9.1	7.6	0.84	0.40	10.5	79.7	2.4
68	2.0	9.1	7.6	0.84	0.40	10.5	78.5	3.0
68	2.3	9.2	7.7	0.84	0.39	10.5	77.3	3.7
68	2.4	9.2	7.7	0.84	0.39	10.5	76.8	4.2
68	2.5	9.2	7.7	0.84	0.39	10.5	76.4	4.5
68	2.7	9.2	7.7	0.84	0.38	10.5	75.8	5.1
75	1.5	8.8	7.5	0.85	0.45	10.3	88.7	1.7
75	1.8	8.9	7.6	0.85	0.44	10.4	86.6	2.4
75	2.0	8.9	7.6	0.85	0.43	10.4	85.4	2.9
75	2.3	8.9	7.6	0.85	0.42	10.3	84.2	3.6
75	2.4	8.9	7.6	0.85	0.42	10.3	83.6	4.0
75	2.5	8.9	7.6	0.85	0.42	10.3	83.2	4.3
75	2.7	8.9	7.6	0.85	0.42	10.3	82.6	4.9
86	1.5	8.4	7.3	0.87	0.51	10.1	99.5	1.6
86	1.8	8.4	7.3	0.87	0.50	10.1	97.2	2.2
86	2.0	8.4	7.3	0.87	0.49	10.1	96.1	2.7
86	2.3	8.4	7.3	0.87	0.49	10.1	95.0	3.4
86	2.4	8.4	7.3	0.87	0.48	10.0	94.3	3.8
86	2.5	8.4	7.3	0.87	0.48	10.0	94.0	4.1
86	2.7	8.5	7.4	0.87	0.48	10.1	93.5	4.7
95	1.5	7.9	7.1	0.90	0.57	9.9	108.2	1.5
95	1.8	7.9	7.1	0.90	0.56	9.8	105.9	2.2
95	2.0	8.0	7.1	0.89	0.56	9.9	104.9	2.6
95	2.3	8.0	7.1	0.89	0.55	9.9	103.8	3.3
95	2.4	8.0	7.1	0.89	0.55	9.9	103.3	3.7
95	2.5	8.0	7.1	0.89	0.54	9.9	102.9	4.0
95	2.7	8.0	7.1	0.89	0.54	9.8	102.3	4.5
105	1.5	7.4	6.8	0.92	0.66	9.6	117.8	1.5
105	1.8	7.4	6.8	0.92	0.64	9.6	115.7	2.1

Table 16. Cooling capacities 0.75 tons (gross) - EXV/H009 (continued)

EWT	GPM	Total Mbtuh	Sen Mbtuh	SHR	Comp Pwr kW	Reject Mbtuh	LWT	Feet Head
105	2.0	7.4	6.8	0.92	0.64	9.6	114.6	2.6
105	2.3	7.4	6.8	0.92	0.63	9.6	113.5	3.2
105	2.4	7.4	6.8	0.92	0.63	9.5	112.9	3.6
105	2.5	7.4	6.8	0.92	0.63	9.5	112.6	3.9
105	2.7	7.5	6.9	0.92	0.62	9.6	112.1	4.4
115	1.5	6.8	6.6	0.97	0.75	9.4	127.5	1.5
115	1.8	6.8	6.6	0.97	0.74	9.3	125.3	2.1
115	2.0	6.8	6.6	0.97	0.73	9.3	124.3	2.5
115	2.3	6.8	6.6	0.97	0.72	9.3	123.3	3.1
115	2.4	6.8	6.6	0.97	0.72	9.3	122.8	3.5
115	2.5	6.8	6.6	0.97	0.72	9.2	122.4	3.8
115	2.7	6.9	6.7	0.97	0.71	9.3	121.9	4.3

Note: Cooling performance data is tabulated at 80.6°F DB/66.2°F WB entering air at ANSI/AHRI/ASHRAE/ISO13256-1 rated cfm. For conditions other than what is tabulated, multipliers must be used to correct performance. See performance correction tables for fan correction factors for CFM other than rated and the cooling correction factors for variations in entering air temperature. Rated GPM 2.25; Minimum CFM 228; Rated CFM 285; Maximum CFM 342.

Table 17. Heating capacities 0.75 tons (gross) - EXV/H009

EWT	GPM	Htg Cap Mbtuh	Absorb Mbtuh	Comp Pwr kW	LWT	Feet Head
25	1.5	4.7	3.2	0.45	20.7	2.6
25	1.8	4.9	3.4	0.45	21.2	3.7
25	2.0	4.9	3.4	0.45	21.6	4.5
25	2.3	5.0	3.5	0.45	21.9	5.7
25	2.4	5.1	3.6	0.45	22.0	6.4
25	2.5	5.1	3.6	0.45	22.1	6.8
25	2.7	5.1	3.6	0.45	22.3	7.8
32	1.5	5.1	3.5	0.46	27.3	2.4
32	1.8	5.3	3.7	0.46	27.9	3.4
32	2.0	5.3	3.7	0.46	28.3	4.1
32	2.3	5.4	3.8	0.46	28.6	5.1
32	2.4	5.5	3.9	0.46	28.8	5.8
32	2.5	5.5	3.9	0.46	28.9	6.2
32	2.7	5.5	3.9	0.46	29.1	7.1
45	1.5	7.0	5.4	0.48	37.8	2.1
45	1.8	7.2	5.6	0.48	38.8	2.9
45	2.0	7.2	5.6	0.48	39.4	3.6
45	2.3	7.3	5.7	0.48	39.9	4.4
45	2.4	7.4	5.8	0.48	40.2	5.0
45	2.5	7.4	5.8	0.48	40.4	5.3
45	2.7	7.4	5.8	0.48	40.7	6.1
55	1.5	8.0	6.3	0.49	46.6	1.9
55	1.8	8.2	6.5	0.49	47.8	2.7
55	2.0	8.3	6.6	0.49	48.4	3.3



Performance Data

Table 17. Heating capacities 0.75 tons (gross) - EXV/H009 (continued)

EWT	GPM	Htg Cap Mbtuh	Absorb Mbtuh	Comp Pwr kW	LWT	Feet Head
55	2.3	8.4	6.7	0.49	49.0	4.1
55	2.4	8.4	6.7	0.49	49.4	4.6
55	2.5	8.4	6.7	0.49	49.6	4.9
55	2.7	8.5	6.8	0.49	50.0	5.6
68	1.5	9.1	7.4	0.50	58.1	1.7
68	1.8	9.3	7.6	0.50	59.6	2.4
68	2.0	9.4	7.7	0.50	60.3	3.0
68	2.3	9.5	7.8	0.50	61.1	3.7
68	2.4	9.5	7.8	0.50	61.5	4.2
68	2.5	9.5	7.8	0.50	61.8	4.5
68	2.7	9.6	7.9	0.50	62.1	5.1
75	1.5	9.9	8.2	0.50	64.1	1.7
75	1.8	10.1	8.4	0.50	65.7	2.4
75	2.0	10.2	8.5	0.50	66.5	2.9
75	2.3	10.3	8.6	0.51	67.4	3.6
75	2.4	10.3	8.6	0.51	67.8	4.0
75	2.5	10.3	8.6	0.51	68.1	4.3
75	2.7	10.4	8.7	0.51	68.6	4.9
86	1.5	11.0	9.3	0.51	73.6	1.6
86	1.8	11.2	9.5	0.51	75.4	2.2
86	2.0	11.2	9.5	0.51	76.5	2.7
86	2.3	11.3	9.6	0.51	77.5	3.4
86	2.4	11.4	9.7	0.51	77.9	3.8
86	2.5	11.4	9.7	0.51	78.2	4.1
86	2.7	11.4	9.7	0.51	78.8	4.7
86	2.1	12.92	10.84	0.609	75.7	3.9
86	2.2	12.97	10.89	0.610	76.1	4.2
86	2.3	13.05	10.96	0.613	76.5	4.6
86	2.5	13.09	11.00	0.612	77.2	5.3

Note: correct performance. See performance correction tables for fan correction factors for CFM other than rated and the heating correction factors for variation in entering air temperatures. Rated GPM 2.25; Minimum CFM 228; Rated CFM 285; Maximum CFM 342.

Table 18. Fan correction factors 0.75 tons - EXV/H009

Entering cfm	Cooling Capacity	Sensible Capacity	Cooling Input Watts	Heating Capacity	Heating Input Watts
228	0.962	0.871	1.012	0.977	1.097
242	0.973	0.903	1.009	0.983	1.070
257	0.983	0.937	1.005	0.990	1.043
271	0.992	0.969	1.003	0.995	1.021
285	1.000	1.000	1.000	1.000	1.000
314	1.014	1.064	0.995	1.009	0.963
328	1.021	1.095	0.993	1.012	0.947
342	1.026	1.125	0.991	1.016	0.933

Table 19. Correction factors for variation in entering air temperature 0.75 ton EXV/H009

Cooling Entering Air WB °F	Cooling Capacity	Cooling Input Watts	Sensible vs. Entering Dry Bulb Multipliers					Heating Entering Air DB °F	Heating Capacity	Heating Input Watts
			65.6	70.6	75.6	80.6	85.6			
49.4	0.921	1.017	0.923	0.999	1.064	*	*	53.0	1.049	0.811
56.3	0.921	1.019	0.801	0.945	1.054	*	*	58.0	1.034	0.874
60.3	0.933	1.016	0.649	0.848	0.997	1.114	*	63.0	1.017	0.936
63.2	0.963	1.010	0.499	0.743	0.927	1.069	*	68.0	1.000	1.000
66.2	1.000	1.000	–	0.603	0.827	1.000	1.139	73.0	0.982	1.065
72.1	1.118	0.965	–	–	0.547	0.790	0.985	78.0	0.963	1.131
77.1	1.214	0.920	–	–	–	–	0.785	83.0	0.944	1.198

Note: * = Sensible equals total capacity

Cooling and Heating Capacities 1 ton

Table 20. Cooling capacities 1 tons (gross) - EXV/H012

EWT	GPM	Gross Mbtuh	Gross Sen Mbtuh	SHR	Comp Pwr kW	Reject Mbtuh	LWT	Feet Head
45	2.0	14.4	11.2	0.78	0.41	15.8	60.8	3.6
45	2.4	14.5	11.3	0.78	0.39	15.8	58.2	5.0
45	2.7	14.5	11.3	0.78	0.38	15.8	56.7	6.2
45	3.0	14.5	11.3	0.78	0.37	15.8	55.5	7.5
45	3.2	14.5	11.3	0.78	0.36	15.7	54.8	8.5
45	3.3	14.6	11.4	0.78	0.36	15.8	54.6	8.9
45	3.6	14.6	11.4	0.78	0.36	15.8	53.8	10.4
55	2.0	14.0	11.0	0.79	0.49	15.7	70.7	3.3
55	2.4	14.0	11.0	0.79	0.47	15.6	68.0	4.6
55	2.7	14.1	11.1	0.79	0.46	15.7	66.6	5.7
55	3.0	14.1	11.1	0.79	0.45	15.6	65.4	6.9
55	3.2	14.1	11.1	0.79	0.45	15.6	64.8	7.8
55	3.3	14.1	11.1	0.79	0.44	15.6	64.5	8.2
55	3.6	14.2	11.2	0.79	0.44	15.7	63.7	9.6
68	2.0	13.2	10.6	0.80	0.59	15.2	83.2	3.0
68	2.4	13.3	10.7	0.80	0.57	15.2	80.7	4.2
68	2.7	13.3	10.7	0.80	0.56	15.2	79.3	5.3
68	3.0	13.3	10.7	0.80	0.55	15.2	78.1	6.4
68	3.2	13.3	10.7	0.80	0.55	15.2	77.5	7.2
68	3.3	13.4	10.8	0.81	0.55	15.3	77.3	7.6
68	3.6	13.4	10.8	0.81	0.54	15.2	76.4	8.8
75	2.0	12.7	10.4	0.82	0.64	14.9	89.9	2.9
75	2.4	12.7	10.4	0.82	0.62	14.8	87.3	4.1
75	2.7	12.8	10.5	0.82	0.61	14.9	86.0	5.1
75	3.0	12.8	10.5	0.82	0.60	14.9	84.9	6.2
75	3.2	12.8	10.5	0.82	0.60	14.8	84.3	7.0
75	3.3	12.8	10.5	0.82	0.60	14.8	84.0	7.4
75	3.6	12.9	10.6	0.82	0.59	14.9	83.3	8.5



Performance Data

Table 20. Cooling capacities 1 tons (gross) - EXV/H012 (continued)

EWT	GPM	Gross Mbtuh	Gross Sen Mbtuh	SHR	Comp Pwr kW	Reject Mbtuh	LWT	Feet Head
86	2.0	11.9	10.0	0.84	0.74	14.4	100.4	2.8
86	2.4	12.0	10.1	0.84	0.72	14.4	98.0	3.9
86	2.7	12.0	10.1	0.84	0.71	14.4	96.7	4.9
86	3.0	12.0	10.1	0.84	0.70	14.4	95.6	5.9
86	3.2	12.0	10.1	0.84	0.69	14.4	95.0	6.7
86	3.3	12.1	10.2	0.84	0.69	14.5	94.8	7.0
86	3.6	12.1	10.2	0.84	0.69	14.4	94.0	8.2
95	2.0	11.3	9.8	0.87	0.82	14.1	109.1	2.7
95	2.4	11.4	9.9	0.87	0.80	14.1	106.8	3.8
95	2.7	11.4	9.9	0.87	0.79	14.1	105.4	4.7
95	3.0	11.4	9.9	0.87	0.79	14.1	104.4	5.8
95	3.2	11.4	9.9	0.87	0.78	14.1	103.8	6.5
95	3.3	11.5	9.9	0.86	0.78	14.2	103.6	6.8
95	3.6	11.5	9.9	0.86	0.77	14.1	102.8	7.9
105	2.0	10.6	9.5	0.90	0.93	13.8	118.8	2.6
105	2.4	10.7	9.5	0.89	0.91	13.8	116.5	3.7
105	2.7	10.7	9.5	0.89	0.90	13.8	115.2	4.6
105	3.0	10.8	9.6	0.89	0.90	13.9	114.3	5.6
105	3.2	10.8	9.6	0.89	0.89	13.8	113.6	6.3
105	3.3	10.8	9.6	0.89	0.89	13.8	113.4	6.7
105	3.6	10.8	9.6	0.89	0.88	13.8	112.7	7.7
115	2.0	9.9	9.2	0.93	1.05	13.5	128.5	2.6
115	2.4	9.9	9.2	0.93	1.03	13.4	126.2	3.6
115	2.7	10.0	9.3	0.93	1.02	13.5	125.0	4.5
115	3.0	10.0	9.3	0.93	1.01	13.5	124.0	5.5
115	3.2	10.0	9.3	0.93	1.01	13.4	123.4	6.2
115	3.3	10.0	9.3	0.93	1.01	13.4	123.1	6.5
115	3.6	10.1	9.4	0.93	1.00	13.5	122.5	7.6

Note: Cooling performance data is tabulated at 80.6°F DB/66.2°F WB entering air at ANSI/AHRI/ASHRAE/ISO13256-1 rated cfm. For conditions other than what is tabulated, multipliers must be used to correct performance. See performance correction tables for fan correction factors for CFM other than rated and the cooling correction factors for variations in entering air temperature. Rated GPM 3; Minimum CFM 304; Rated CFM 380; Maximum CFM 456.

Table 21. Heating capacities 1 tons (gross) - EXV/H012

EWT	GPM	Htg Cap Mbtuh	Absorb Mbtuh	Comp Pwr kW	LWT	Feet Head
25	2.0	7.6	5.5	0.63	19.5	4.4
25	2.4	7.7	5.5	0.63	20.4	6.3
25	2.7	7.8	5.6	0.64	20.9	7.8
25	3.0	7.9	5.7	0.64	21.2	9.6
25	3.2	7.9	5.7	0.64	21.4	10.7
25	3.3	8.0	5.8	0.64	21.5	11.3
25	3.6	8.0	5.8	0.64	21.8	13.2
32	2.0	8.5	6.3	0.65	25.7	4.1

Table 21. Heating capacities 1 tons (gross) - EXV/H012 (continued)

EWT	GPM	Htg Cap Mbtuh	Absorb Mbtuh	Comp Pwr kW	LWT	Feet Head
32	2.4	8.7	6.5	0.65	26.6	5.7
32	2.7	8.8	6.6	0.65	27.1	7.1
32	3.0	8.9	6.7	0.65	27.5	8.6
32	3.2	8.9	6.7	0.66	27.8	9.7
32	3.3	8.9	6.7	0.66	27.9	10.3
32	3.6	9.0	6.8	0.66	28.2	11.9
45	2.0	10.7	8.3	0.69	36.7	3.6
45	2.4	10.9	8.5	0.69	37.9	5.0
45	2.7	11.0	8.6	0.70	38.6	6.2
45	3.0	11.1	8.7	0.70	39.2	7.5
45	3.2	11.2	8.8	0.70	39.5	8.5
45	3.3	11.2	8.8	0.70	39.7	8.9
45	3.6	11.3	8.9	0.70	40.1	10.4
55	2.0	12.4	10.0	0.72	45.0	3.3
55	2.4	12.6	10.1	0.72	46.6	4.6
55	2.7	12.8	10.3	0.72	47.4	5.7
55	3.0	12.9	10.4	0.72	48.1	6.9
55	3.2	13.0	10.5	0.72	48.4	7.8
55	3.3	13.0	10.5	0.72	48.6	8.2
55	3.6	13.1	10.6	0.73	49.1	9.6
68	2.0	14.5	12.0	0.74	56.0	3.0
68	2.4	14.8	12.3	0.75	57.8	4.2
68	2.7	15.0	12.4	0.75	58.8	5.3
68	3.0	15.2	12.6	0.75	59.6	6.4
68	3.2	15.3	12.7	0.75	60.1	7.2
68	3.3	15.3	12.7	0.75	60.3	7.6
68	3.6	15.4	12.8	0.75	60.9	8.8
75	2.0	15.6	13.0	0.76	62.0	2.9
75	2.4	16.0	13.4	0.76	63.8	4.1
75	2.7	16.2	13.6	0.76	64.9	5.1
75	3.0	16.4	13.8	0.76	65.8	6.2
75	3.2	16.5	13.9	0.76	66.3	7.0
75	3.3	16.5	13.9	0.76	66.6	7.4
75	3.6	16.6	14.0	0.77	67.2	8.5
86	2.0	17.2	14.6	0.77	71.4	2.8
86	2.4	17.6	15.0	0.77	73.5	3.9
86	2.7	17.9	15.3	0.78	74.7	4.9
86	3.0	18.1	15.4	0.78	75.7	5.9
86	3.2	18.2	15.5	0.78	76.3	6.7
86	3.3	18.3	15.6	0.78	76.5	7.0



Performance Data

Table 21. Heating capacities 1 tons (gross) - EXV/H012 (continued)

EWT	GPM	Htg Cap Mbtuh	Absorb Mbtuh	Comp Pwr kW	LWT	Feet Head
86	3.6	18.4	15.7	0.78	77.3	8.2

Note: Heating performance data is tabulated at 68.0°F DB at the ANSI/AHRI/ASHRAE/ISO13256-1 rated cfm. For conditions other than what is tabulated, multipliers must be used to correct performance. See performance correction tables for fan correction factors for CFM other than rated and the heating correction factors for variation in entering air temperatures. Rated GPM 3; Minimum CFM 304; Rated CFM 380; Maximum CFM 456.

Table 22. Fan correction factors 1 tons - EXV/H012

Entering cfm	Cooling Capacity	Sensible Capacity	Cooling Input Watts	Heating Capacity	Heating Input Watts
304	0.963	0.874	1.010	0.973	1.100
323	0.973	0.906	1.007	0.981	1.071
342	0.983	0.937	1.005	0.988	1.045
361	0.992	0.969	1.002	0.994	1.021
380	1.000	1.000	1.000	1.000	1.000
418	1.014	1.062	0.996	1.010	0.963
437	1.020	1.093	0.994	1.014	0.946
456	1.026	1.123	0.993	1.018	0.931

Table 23. Correction factors for variation in entering air temperature 1 ton, EXV/H012

Cooling Entering Air WB°F	Cooling capacity	Cooling Input Watts	Sensible vs. Entering Dry Bulb Multiplier					Heating Entering Air DB°F	Heating capacity	Heating Input Watts
			65.6	70.6	75.6	80.6	85.6			
49.4	0.900	1.016	0.940	1.015	1.079	*	*	53.0	1.050	0.831
56.3	0.908	1.019	0.814	0.957	1.064	*	*	58.0	1.034	0.887
60.3	0.923	1.016	0.660	0.856	1.003	1.118	*	63.0	1.017	0.943
63.2	0.959	1.010	0.510	0.750	0.931	1.071	*	68.0	1.000	1.000
66.2	1.000	1.000	–	0.610	0.830	1.000	1.136	73.0	0.982	1.058
72.1	1.112	0.970	–	–	0.551	0.790	0.981	78.0	0.964	1.118
77.1	1.198	0.935	–	–	–	–	0.782	83.0	0.945	1.178

Note: * = Sensible equals total capacity

Cooling and Heating Capacities 1.25 tons

Table 24. Cooling capacities 1.25 tons (gross) - EXV/H015

EWT	GPM	Total Mbtuh	Sen Mbtuh	SHR	Comp Pwr kW	Reject Mbtuh	LWT	Feet Head
45	2.4	19.0	13.5	0.71	0.56	20.9	62.4	4.8
45	3.0	19.1	13.6	0.71	0.53	20.9	58.9	7.0
45	3.4	19.1	13.6	0.71	0.51	20.8	57.2	8.6
45	3.8	19.1	13.6	0.71	0.50	20.8	56.1	10.2
45	3.9	19.1	13.6	0.71	0.50	20.8	55.7	10.9
45	4.1	19.1	13.6	0.71	0.49	20.8	55.1	11.9
45	4.5	19.1	13.6	0.71	0.48	20.8	54.2	14.0
55	2.4	18.4	13.4	0.73	0.67	20.7	72.3	4.5
55	3.0	18.4	13.4	0.73	0.63	20.6	68.7	6.5
55	3.4	18.5	13.4	0.72	0.62	20.6	67.1	8.1
55	3.8	18.5	13.4	0.72	0.61	20.6	66.0	9.5

Table 24. Cooling capacities 1.25 tons (gross) - EXV/H015 (continued)

EWT	GPM	Total Mbtuh	Sen Mbtuh	SHR	Comp Pwr kW	Reject Mbtuh	LWT	Feet Head
55	3.9	18.5	13.4	0.72	0.61	20.6	65.6	10.2
55	4.1	18.5	13.4	0.72	0.60	20.6	65.0	11.1
55	4.5	18.5	13.4	0.72	0.59	20.5	64.1	13.1
68	2.4	17.6	13.1	0.74	0.80	20.3	84.9	4.2
68	3.0	17.6	13.1	0.74	0.77	20.2	81.5	6.1
68	3.4	17.6	13.1	0.74	0.75	20.2	79.9	7.5
68	3.8	17.7	13.2	0.75	0.74	20.2	78.8	8.8
68	3.9	17.7	13.2	0.75	0.74	20.2	78.4	9.5
68	4.1	17.7	13.2	0.75	0.74	20.2	77.9	10.3
68	4.5	17.7	13.2	0.75	0.73	20.2	77.0	12.2
75	2.4	17.1	13.0	0.76	0.87	20.1	91.8	4.0
75	3.0	17.1	13.0	0.76	0.84	20.0	88.3	5.9
75	3.4	17.2	13.1	0.76	0.82	20.0	86.8	7.3
75	3.8	17.2	13.1	0.76	0.81	20.0	85.7	8.6
75	3.9	17.2	13.1	0.76	0.81	20.0	85.3	9.2
75	4.1	17.2	13.1	0.76	0.80	19.9	84.7	10.0
75	4.5	17.2	13.1	0.76	0.80	19.9	83.8	11.8
86	2.4	16.3	12.7	0.78	0.99	19.7	102.4	3.9
86	3.0	16.4	12.8	0.78	0.96	19.7	99.1	5.6
86	3.4	16.4	12.8	0.78	0.95	19.6	97.5	6.9
86	3.8	16.4	12.8	0.78	0.94	19.6	96.5	8.2
86	3.9	16.4	12.8	0.78	0.93	19.6	96.1	8.8
86	4.1	16.4	12.8	0.78	0.93	19.6	95.6	9.6
86	4.5	16.4	12.8	0.78	0.92	19.5	94.7	11.3
95	2.4	15.7	12.5	0.80	1.11	19.5	111.3	3.7
95	3.0	15.7	12.5	0.80	1.08	19.4	107.9	5.5
95	3.4	15.7	12.5	0.80	1.07	19.3	106.4	6.7
95	3.8	15.7	12.5	0.80	1.06	19.3	105.3	8.0
95	3.9	15.7	12.5	0.80	1.06	19.3	104.9	8.5
95	4.1	15.7	12.5	0.80	1.05	19.3	104.4	9.3
95	4.5	15.8	12.5	0.79	1.04	19.4	103.6	11.0
105	2.4	14.9	12.1	0.81	1.27	19.2	121.0	3.6
105	3.0	14.9	12.1	0.81	1.23	19.1	117.7	5.3
105	3.4	14.9	12.1	0.81	1.22	19.1	116.2	6.6
105	3.8	15.0	12.1	0.81	1.21	19.1	115.2	7.7
105	3.9	15.0	12.1	0.81	1.21	19.1	114.8	8.3
105	4.1	15.0	12.1	0.81	1.20	19.1	114.3	9.0
105	4.5	15.0	12.1	0.81	1.19	19.1	113.5	10.7
115	2.4	14.1	11.7	0.83	1.43	19.0	130.8	3.6
115	3.0	14.1	11.7	0.83	1.40	18.9	127.6	5.2
115	3.4	14.1	11.7	0.83	1.38	18.8	126.1	6.4



Performance Data

Table 24. Cooling capacities 1.25 tons (gross) - EXV/H015 (continued)

EWT	GPM	Total Mbtuh	Sen Mbtuh	SHR	Comp Pwr kW	Reject Mbtuh	LWT	Feet Head
115	3.8	14.1	11.7	0.83	1.37	18.8	125.0	7.6
115	3.9	14.1	11.7	0.83	1.37	18.8	124.6	8.1
115	4.1	14.1	11.7	0.83	1.36	18.8	124.2	8.8
115	4.5	14.1	11.7	0.83	1.36	18.7	123.3	10.4

Note: Cooling performance data is tabulated at 80.6°F DB/66.2°F WB entering air at ANSI/AHR1/ASHRAE/ISO13256-1 rated cfm. For conditions other than what is tabulated, multipliers must be used to correct performance. See performance correction tables for fan correction factors for CFM other than rated and the cooling correction factors for variations in entering air temperature. Rated GPM 3.75; Minimum CFM 380; Rated CFM 475; Maximum CFM 570.

Table 25. Heating capacities 1.25 tons (gross) - EXV/H015

EWT	GPM	Htg Cap Mbtuh	Absorb Mbtuh	Comp Pwr kW	LWT	Feet Head
25	2.4	9.9	7.0	0.85	19.2	5.8
25	3.0	10.1	7.2	0.85	20.2	8.5
25	3.4	10.2	7.3	0.85	20.7	10.5
25	3.8	10.3	7.4	0.85	21.1	12.4
25	3.9	10.3	7.4	0.86	21.2	13.3
25	4.1	10.3	7.4	0.86	21.4	14.5
25	4.5	10.4	7.5	0.86	21.7	17.1
32	2.4	11.1	8.1	0.87	25.3	5.4
32	3.0	11.3	8.3	0.87	26.5	7.9
32	3.4	11.4	8.4	0.88	27.1	9.7
32	3.8	11.5	8.5	0.88	27.5	11.5
32	3.9	11.6	8.6	0.88	27.6	12.3
32	4.1	11.6	8.6	0.88	27.8	13.4
32	4.5	11.7	8.7	0.88	28.1	15.7
45	2.4	13.5	10.4	0.92	36.3	4.8
45	3.0	13.8	10.6	0.93	37.9	7.0
45	3.4	13.9	10.7	0.93	38.7	8.6
45	3.8	14.0	10.8	0.93	39.2	10.2
45	3.9	14.1	10.9	0.93	39.4	10.9
45	4.1	14.1	10.9	0.93	39.7	11.9
45	4.5	14.2	11.0	0.93	40.1	14.0
55	2.4	15.4	12.1	0.95	44.9	4.5
55	3.0	15.8	12.5	0.96	46.7	6.5
55	3.4	16.0	12.7	0.96	47.5	8.1
55	3.8	16.1	12.8	0.96	48.2	9.5
55	3.9	16.1	12.8	0.96	48.4	10.2
55	4.1	16.2	12.9	0.96	48.7	11.1
55	4.5	16.3	13.0	0.97	49.2	13.1
68	2.4	18.0	14.6	0.99	55.8	4.2
68	3.0	18.4	15.0	0.99	58.0	6.1
68	3.4	18.7	15.3	0.99	59.0	7.5
68	3.8	18.9	15.5	1.00	59.7	8.8

Table 25. Heating capacities 1.25 tons (gross) - EXV/H015 (continued)

EWT	GPM	Htg Cap Mbtuh	Absorb Mbtuh	Comp Pwr kW	LWT	Feet Head
68	3.9	18.9	15.5	1.00	60.1	9.5
68	4.1	19.0	15.6	1.00	60.4	10.3
68	4.5	19.1	15.7	1.00	61.0	12.2
75	2.4	19.4	16.0	1.00	61.7	4.0
75	3.0	19.9	16.5	1.01	64.0	5.9
75	3.4	20.2	16.8	1.01	65.1	7.3
75	3.8	20.4	17.0	1.01	65.9	8.6
75	3.9	20.4	16.9	1.01	66.3	9.2
75	4.1	20.5	17.0	1.01	66.7	10.0
75	4.5	20.7	17.2	1.01	67.4	11.8
86	2.4	21.6	18.1	1.03	70.9	3.9
86	3.0	22.2	18.7	1.03	73.5	5.6
86	3.4	22.5	19.0	1.04	74.8	6.9
86	3.8	22.8	19.3	1.04	75.7	8.2
86	3.9	22.8	19.3	1.04	76.1	8.8
86	4.1	23.0	19.5	1.04	76.5	9.6
86	4.5	23.1	19.6	1.04	77.3	11.3

Note: Heating performance data is tabulated at 68.0°F DB at the ANSI/AHRI/ASHRAE/ISO13256-1 rated cfm. For conditions other than what is tabulated, multipliers must be used to correct performance. See performance correction tables for fan correction factors for CFM other than rated and the heating correction factors for variation in entering air temperatures. Rated GPM 3.75; Minimum CFM 380; Rated CFM 475; Maximum CFM 570.

Table 26. Fan correction factors 1.25 tons - EXV/H015

Entering CFM	Cooling capacity	Sensible capacity	Cooling comp watts	Heating capacity	Heating comp watts
380	0.957	0.886	1.010	0.982	1.103
404	0.969	0.915	1.007	0.988	1.073
428	0.980	0.944	1.005	0.992	1.046
451	0.990	0.972	1.002	0.996	1.022
475	1.000	1.000	1.000	1.000	1.000
523	1.017	1.054	0.996	1.006	0.962
546	1.024	1.079	0.994	1.009	0.946
570	1.031	1.106	0.992	1.011	0.929

Table 27. Correction factors for variation in entering air temperature 1.25 tons, EXV/H015

Cooling Entering Air WB°F	Cooling capacity	Cooling Input Watts	Sensible vs. Entering Dry Bulb Multiplier					Heating Entering Air DB°F	Heating capacity	Heating Input Watts
			65.6	70.6	75.6	80.6	85.6			
49.4	0.870	1.021	0.959	1.048	1.119	*	*	53.0	1.034	0.819
56.3	0.876	1.022	0.816	0.965	1.083	*	*	58.0	1.023	0.879
60.3	0.901	1.017	0.673	0.861	1.012	1.137	*	63.0	1.012	0.939
63.2	0.949	1.010	0.541	0.758	0.934	1.080	1.208	68.0	1.000	1.000
66.2	1.000	1.000	–	0.629	0.831	1.000	1.146	73.0	0.987	1.062
72.1	1.122	0.971	–	–	0.574	0.788	0.973	78.0	0.974	1.124
77.1	1.222	0.940	–	–	–	–	0.780	83.0	0.961	1.187

Note: * = Sensible equals total capacity



Performance Data

Cooling and Heating Capacities 1.5 tons

Table 28. Cooling capacities 1.5 tons (gross) - EXV/H018

EWT	GPM	Total Mbtuh	Sen Mbtuh	SHR	Comp Pwr kW	Reject Mbtuh	LWT	Feet Head
45	2.9	22.8	17.3	0.76	0.59	24.8	62.1	1.0
45	3.6	22.8	17.3	0.76	0.55	24.7	58.7	1.6
45	4.1	22.9	17.4	0.76	0.53	24.7	57.0	2.0
45	4.5	22.9	17.4	0.76	0.52	24.7	56.0	2.3
45	4.7	23.0	17.5	0.76	0.51	24.8	55.6	2.5
45	5.0	23.0	17.5	0.76	0.51	24.7	54.9	2.8
45	5.4	23.0	17.5	0.76	0.50	24.7	54.1	3.2
55	2.9	22.1	17.0	0.77	0.74	24.6	72.0	1.0
55	3.6	22.2	17.1	0.77	0.70	24.6	68.7	1.4
55	4.1	22.2	17.1	0.77	0.68	24.5	67.0	1.8
55	4.5	22.3	17.2	0.77	0.67	24.6	65.9	2.1
55	4.7	22.3	17.2	0.77	0.67	24.6	65.5	2.3
55	5.0	22.3	17.2	0.77	0.66	24.5	64.8	2.6
55	5.4	22.3	17.2	0.77	0.65	24.5	64.1	3.0
68	2.9	21.0	16.5	0.79	0.91	24.1	84.6	0.9
68	3.6	21.1	16.6	0.79	0.87	24.1	81.4	1.3
68	4.1	21.1	16.6	0.79	0.85	24.0	79.7	1.7
68	4.5	21.2	16.7	0.79	0.84	24.1	78.7	2.0
68	4.7	21.2	16.7	0.79	0.83	24.0	78.2	2.2
68	5.0	21.2	16.7	0.79	0.83	24.0	77.6	2.4
68	5.4	21.3	16.7	0.78	0.82	24.1	76.9	2.8
75	2.9	20.4	16.2	0.79	0.99	23.8	91.4	0.9
75	3.6	20.5	16.3	0.80	0.95	23.8	88.2	1.3
75	4.1	20.6	16.3	0.79	0.93	23.8	86.6	1.6
75	4.5	20.6	16.3	0.79	0.92	23.7	85.5	1.9
75	4.7	20.7	16.4	0.79	0.92	23.8	85.1	2.1
75	5.0	20.7	16.4	0.79	0.91	23.8	84.5	2.3
75	5.4	20.7	16.4	0.79	0.90	23.8	83.8	2.7
86	2.9	19.7	15.8	0.80	1.13	23.6	102.3	0.9
86	3.6	19.8	15.9	0.80	1.10	23.5	99.1	1.3
86	4.1	19.8	15.9	0.80	1.08	23.5	97.5	1.6
86	4.5	19.8	15.9	0.80	1.07	23.4	96.4	1.9
86	4.7	19.9	16.0	0.80	1.06	23.5	96.0	2.0
86	5.0	19.9	16.0	0.80	1.05	23.5	95.4	2.2
86	5.4	19.9	16.0	0.80	1.05	23.5	94.7	2.6
95	2.9	19.0	15.4	0.81	1.27	23.3	111.1	0.9
95	3.6	19.1	15.5	0.81	1.23	23.3	107.9	1.3
95	4.1	19.1	15.5	0.81	1.21	23.2	106.3	1.6
95	4.5	19.2	15.6	0.81	1.20	23.3	105.4	1.8
95	4.7	19.2	15.6	0.81	1.19	23.3	104.9	2.0

Table 28. Cooling capacities 1.5 tons (gross) - EXV/H018 (continued)

EWT	GPM	Total Mbtuh	Sen Mbtuh	SHR	Comp Pwr kW	Reject Mbtuh	LWT	Feet Head
95	5.0	19.2	15.6	0.81	1.19	23.2	104.3	2.2
95	5.4	19.2	15.6	0.81	1.18	23.2	103.6	2.5
105	2.9	18.1	15.0	0.83	1.43	23.0	120.9	0.9
105	3.6	18.2	15.1	0.83	1.39	22.9	117.7	1.2
105	4.1	18.2	15.1	0.83	1.37	22.9	116.2	1.5
105	4.5	18.2	15.1	0.83	1.36	22.8	115.1	1.8
105	4.7	18.3	15.2	0.83	1.36	22.9	114.7	1.9
105	5.0	18.3	15.2	0.83	1.35	22.9	114.2	2.2
105	5.4	18.3	15.2	0.83	1.34	22.9	113.5	2.5
115	2.9	17.0	14.5	0.85	1.60	22.5	130.5	0.8
115	3.6	17.1	14.6	0.85	1.56	22.4	127.4	1.2
115	4.1	17.2	14.7	0.85	1.54	22.5	126.0	1.5
115	4.5	17.2	14.7	0.85	1.53	22.4	125.0	1.8
115	4.7	17.3	14.8	0.86	1.53	22.5	124.6	1.9
115	5.0	17.3	14.8	0.86	1.52	22.5	124.0	2.1
115	5.4	17.3	14.8	0.86	1.51	22.5	123.3	2.4

Note: Cooling performance data is tabulated at 80.6°F DB/66.2°F WB entering air at ANSI/AHRI/ASHRAE/ISO13256-1 rated cfm. For conditions other than what is tabulated, multipliers must be used to correct performance. See performance correction tables for fan correction factors for CFM other than rated and the cooling correction factors for variations in entering air temperature. Rated GPM 4.5; Minimum CFM 456; Rated CFM 570; Maximum CFM 684.

Table 29. Heating capacities 1.5 tons (gross) - EXV/H018

EWT	GPM	Htg Cap Mbtuh	Absorb Mbtuh	Comp Pwr kW	LWT	Feet Head
25	2.9	11.7	8.3	1.00	19.3	1.4
25	3.6	12.0	8.6	1.00	20.2	2.0
25	4.1	12.1	8.7	1.00	20.8	2.5
25	4.5	12.2	8.8	1.01	21.1	2.9
25	4.7	12.2	8.8	1.01	21.3	3.1
25	5.0	12.3	8.9	1.01	21.4	3.5
25	5.4	12.4	9.0	1.01	21.7	4.0
32	2.9	13.0	9.5	1.02	25.4	1.2
32	3.6	13.3	9.8	1.02	26.6	1.8
32	4.1	13.5	10.0	1.03	27.1	2.3
32	4.5	13.5	10.0	1.03	27.6	2.7
32	4.7	13.6	10.1	1.03	27.7	2.9
32	5.0	13.6	10.1	1.03	28.0	3.2
32	5.4	13.7	10.2	1.03	28.2	3.7
45	2.9	16.1	12.4	1.07	36.4	1.0
45	3.6	16.5	12.8	1.08	37.9	1.6
45	4.1	16.6	12.9	1.08	38.7	2.0
45	4.5	16.8	13.1	1.08	39.2	2.3
45	4.7	16.8	13.1	1.08	39.4	2.5
45	5.0	16.9	13.2	1.08	39.7	2.8



Performance Data

Table 29. Heating capacities 1.5 tons (gross) - EXV/H018 (continued)

EWT	GPM	Htg Cap Mbtuh	Absorb Mbtuh	Comp Pwr kW	LWT	Feet Head
45	5.4	17.0	13.3	1.09	40.1	3.2
55	2.9	18.6	14.8	1.12	44.8	1.0
55	3.6	19.0	15.2	1.13	46.6	1.4
55	4.1	19.3	15.4	1.13	47.5	1.8
55	4.5	19.4	15.5	1.13	48.1	2.1
55	4.7	19.5	15.6	1.13	48.4	2.3
55	5.0	19.6	15.7	1.13	48.7	2.6
55	5.4	19.7	15.8	1.13	49.1	3.0
68	2.9	21.8	17.8	1.18	55.7	0.9
68	3.6	22.3	18.3	1.19	57.8	1.3
68	4.1	22.6	18.5	1.19	59.0	1.7
68	4.5	22.8	18.7	1.19	59.7	2.0
68	4.7	22.9	18.8	1.19	60.0	2.2
68	5.0	23.1	19.0	1.19	60.4	2.4
68	5.4	23.2	19.1	1.20	60.9	2.8
75	2.9	23.4	19.3	1.21	61.7	0.9
75	3.6	24.1	20.0	1.21	63.9	1.3
75	4.1	24.4	20.2	1.22	65.1	1.6
75	4.5	24.6	20.4	1.22	65.9	1.9
75	4.7	24.7	20.5	1.22	66.3	2.1
75	5.0	24.9	20.7	1.22	66.7	2.3
75	5.4	25.0	20.8	1.23	67.3	2.7
86	2.9	26.0	21.8	1.24	71.0	0.9
86	3.6	26.7	22.5	1.24	73.5	1.3
86	4.1	27.1	22.8	1.25	74.9	1.6
86	4.5	27.4	23.1	1.25	75.7	1.9
86	4.7	27.5	23.2	1.25	76.1	2.0
86	5.0	27.7	23.4	1.26	76.6	2.2
86	5.4	27.8	23.5	1.26	77.3	2.6

Note: Heating performance data is tabulated at 68.0°F DB at the ANSI/AHRI/ASHRAE/ISO13256-1 rated cfm. For conditions other than what is tabulated, multipliers must be used to correct performance. See performance correction tables for fan correction factors for CFM other than rated and the heating correction factors for variation in entering air temperatures. Rated GPM 4.5; Minimum CFM 456; Rated CFM 570; Maximum CFM 684.

Table 30. Fan correction factors 1.5 tons - EXV/H018

Entering cfm	Cooling Capacity	Sensible Capacity	Cooling Input Watts	Heating Capacity	Heating Input Watts
456	0.958	0.875	1.009	0.980	1.108
485	0.970	0.907	1.006	0.986	1.076
513	0.981	0.938	1.004	0.991	1.048
542	0.991	0.970	1.002	0.996	1.022
570	1.000	1.000	1.000	1.000	1.000
627	1.017	1.061	0.996	1.007	0.960
656	1.025	1.091	0.994	1.010	0.942
684	1.032	1.120	0.993	1.012	0.927

Table 31. Correction factors for variation in entering air temperature 1.5 tons, EXV/H018

Cooling Entering Air WB°F	Cooling capacity	Cooling Input Watts	Sensible vs. Entering Dry Bulb Multiplier					Heating Entering Air DB°F	Heating capacity	Heating Input Watts
			65.6	70.6	75.6	80.6	85.6			
49.4	0.872	1.015	0.949	1.032	1.090	*	*	53.0	1.038	0.819
56.3	0.878	1.018	0.805	0.955	1.073	*	*	58.0	1.026	0.879
60.3	0.900	1.015	0.658	0.851	1.006	1.133	*	63.0	1.013	0.939
63.2	0.948	1.009	0.523	0.746	0.928	1.079	*	68.0	1.000	1.000
66.2	1.000	1.000	–	0.614	0.825	1.000	1.147	73.0	0.986	1.062
72.1	1.115	0.975	–	–	0.562	0.784	0.973	78.0	0.972	1.125
77.1	1.221	0.946	–	–	–	–	0.775	83.0	0.958	1.188

Note: * = Sensible equals total capacity

Cooling and Heating Capacities 2 tons

Table 32. Cooling capacities 2 tons (gross) - EXV/H024

EWT	GPM	Total Mbtuh	Sen Mbtuh	SHR	Comp Pwr kW	Reject Mbtuh	LWT	Feet Head
45	3.9	28.8	21.1	0.73	0.91	31.9	61.4	1.7
45	4.8	28.8	21.1	0.73	0.89	31.8	58.3	2.5
45	5.4	28.8	21.1	0.73	0.89	31.8	56.8	3.1
45	6.0	28.8	21.1	0.73	0.88	31.8	55.6	3.7
45	6.3	28.8	21.1	0.73	0.88	31.8	55.1	4.1
45	6.6	28.8	21.1	0.73	0.88	31.8	54.6	4.4
45	7.2	28.8	21.1	0.73	0.88	31.8	53.8	5.2
55	3.9	28.2	20.7	0.73	0.99	31.6	71.2	1.6
55	4.8	28.2	20.7	0.73	0.96	31.5	68.1	2.3
55	5.4	28.2	20.7	0.73	0.95	31.4	66.6	2.9
55	6.0	28.2	20.7	0.73	0.94	31.4	65.5	3.5
55	6.3	28.3	20.7	0.73	0.94	31.5	65.0	3.8
55	6.6	28.3	20.7	0.73	0.94	31.5	64.5	4.1
55	7.2	28.3	20.7	0.73	0.93	31.5	63.8	4.8
68	3.9	27.2	20.4	0.75	1.15	31.1	83.9	1.5
68	4.8	27.2	20.4	0.75	1.12	31.0	80.9	2.2
68	5.4	27.3	20.4	0.75	1.10	31.1	79.5	2.7
68	6.0	27.3	20.4	0.75	1.09	31.0	78.3	3.2
68	6.3	27.3	20.4	0.75	1.08	31.0	77.8	3.5
68	6.6	27.3	20.4	0.75	1.08	31.0	77.4	3.8
68	7.2	27.3	20.4	0.75	1.07	30.9	76.6	4.5
75	3.9	26.5	20.2	0.76	1.26	30.8	90.8	1.5
75	4.8	26.6	20.2	0.76	1.22	30.8	87.8	2.1
75	5.4	26.6	20.2	0.76	1.21	30.7	86.4	2.6
75	6.0	26.7	20.3	0.76	1.19	30.8	85.3	3.1
75	6.3	26.7	20.3	0.76	1.19	30.7	84.7	3.4
75	6.6	26.7	20.3	0.76	1.18	30.7	84.3	3.7
75	7.2	26.7	20.3	0.76	1.17	30.7	83.5	4.3



Performance Data

Table 32. Cooling capacities 2 tons (gross) - EXV/H024 (continued)

EWT	GPM	Total Mbtuh	Sen Mbtuh	SHR	Comp Pwr kW	Reject Mbtuh	LWT	Feet Head
86	3.9	25.4	19.8	0.78	1.46	30.4	101.6	1.5
86	4.8	25.5	19.9	0.78	1.42	30.3	98.6	2.1
86	5.4	25.5	19.9	0.78	1.40	30.3	97.2	2.5
86	6.0	25.5	19.9	0.78	1.38	30.2	96.1	3.0
86	6.3	25.6	20.0	0.78	1.38	30.3	95.6	3.3
86	6.6	25.6	20.0	0.78	1.37	30.3	95.2	3.6
86	7.2	25.6	20.0	0.78	1.36	30.2	94.4	4.2
95	3.9	24.3	19.4	0.80	1.64	29.9	110.3	1.5
95	4.8	24.4	19.5	0.80	1.60	29.8	107.4	2.0
95	5.4	24.5	19.5	0.80	1.58	29.9	106.1	2.5
95	6.0	24.5	19.5	0.80	1.56	29.8	104.9	3.0
95	6.3	24.5	19.5	0.80	1.55	29.8	104.5	3.2
95	6.6	24.6	19.6	0.80	1.55	29.9	104.1	3.5
95	7.2	24.6	19.6	0.80	1.53	29.8	103.3	4.1
105	3.9	23.0	18.8	0.82	1.85	29.3	120.0	1.4
105	4.8	23.1	18.9	0.82	1.81	29.3	117.2	2.0
105	5.4	23.2	19.0	0.82	1.79	29.3	115.9	2.4
105	6.0	23.3	19.0	0.82	1.77	29.3	114.8	2.9
105	6.3	23.3	19.0	0.82	1.77	29.3	114.3	3.2
105	6.6	23.3	19.0	0.82	1.76	29.3	113.9	3.4
105	7.2	23.3	19.0	0.82	1.75	29.3	113.1	4.0
115	3.9	21.6	18.1	0.84	2.07	28.7	129.7	1.3
115	4.8	21.8	18.3	0.84	2.03	28.7	127.0	1.9
115	5.4	21.8	18.3	0.84	2.01	28.7	125.6	2.3
115	6.0	21.9	18.4	0.84	1.99	28.7	124.6	2.8
115	6.3	21.9	18.4	0.84	1.99	28.7	124.1	3.0
115	6.6	21.9	18.4	0.84	1.98	28.7	123.7	3.3
115	7.2	21.9	18.4	0.84	1.97	28.6	122.9	3.8

Note: Cooling performance data is tabulated at 80.6°F DB/66.2°F WB entering air at ANSI/AHR1/ASHRAE/ISO13256-1 rated cfm. For conditions other than what is tabulated, multipliers must be used to correct performance. See performance correction tables for fan correction factors for CFM other than rated and the cooling correction factors for variations in entering air temperature. Rated GPM 6; Minimum CFM 608; Rated CFM 760; Maximum CFM 912.

Table 33. Heating capacities 2 tons (gross) - EXV/H024

EWT	GPM	Htg Cap Mbtuh	Absorb Mbtuh	Comp Pwr kW	LWT	Feet Head
25	3.9	15.3	10.7	1.35	19.5	2.2
25	4.8	16.0	11.4	1.36	20.3	3.1
25	5.4	16.3	11.7	1.36	20.7	3.8
25	6.0	16.6	11.9	1.36	21.0	4.6
25	6.3	16.7	12.0	1.36	21.2	5.0
25	6.6	16.8	12.1	1.36	21.3	5.4
25	7.2	17.0	12.3	1.36	21.6	6.2
32	3.9	17.0	12.3	1.38	25.7	2.0

Table 33. Heating capacities 2 tons (gross) - EXV/H024 (continued)

EWT	GPM	Htg Cap Mbtuh	Absorb Mbtuh	Comp Pwr kW	LWT	Feet Head
32	4.8	17.6	12.9	1.39	26.6	2.9
32	5.4	17.9	13.2	1.39	27.1	3.5
32	6.0	18.2	13.5	1.39	27.5	4.2
32	6.3	18.3	13.5	1.39	27.7	4.6
32	6.6	18.4	13.6	1.39	27.9	5.0
32	7.2	18.6	13.8	1.39	28.2	5.8
45	3.9	22.3	17.4	1.43	36.1	1.7
45	4.8	22.9	18.0	1.44	37.5	2.5
45	5.4	23.3	18.4	1.45	38.2	3.1
45	6.0	23.5	18.5	1.45	38.8	3.7
45	6.3	23.6	18.6	1.46	39.1	4.1
45	6.6	23.7	18.7	1.46	39.3	4.4
45	7.2	23.9	18.9	1.46	39.8	5.2
55	3.9	25.8	20.7	1.49	44.4	1.6
55	4.8	26.4	21.3	1.50	46.1	2.3
55	5.4	26.7	21.6	1.51	47.0	2.9
55	6.0	27.0	21.8	1.51	47.7	3.5
55	6.3	27.1	21.9	1.52	48.0	3.8
55	6.6	27.2	22.0	1.52	48.3	4.1
55	7.2	27.4	22.2	1.52	48.8	4.8
68	3.9	29.9	24.6	1.57	55.4	1.5
68	4.8	30.5	25.1	1.58	57.5	2.2
68	5.4	30.9	25.5	1.59	58.6	2.7
68	6.0	31.1	25.6	1.60	59.5	3.2
68	6.3	31.2	25.7	1.60	59.8	3.5
68	6.6	31.4	25.9	1.61	60.2	3.8
68	7.2	31.5	26.0	1.61	60.8	4.5
75	3.9	32.4	26.9	1.62	61.2	1.5
75	4.8	33.1	27.5	1.64	63.5	2.1
75	5.4	33.4	27.8	1.65	64.7	2.6
75	6.0	33.6	28.0	1.65	65.7	3.1
75	6.3	33.8	28.1	1.66	66.1	3.4
75	6.6	33.9	28.2	1.66	66.5	3.7
75	7.2	34.0	28.3	1.67	67.1	4.3
86	3.9	35.7	29.9	1.70	70.7	1.5
86	4.8	36.4	30.5	1.72	73.3	2.1
86	5.4	36.7	30.8	1.74	74.6	2.5
86	6.0	37.0	31.0	1.75	75.7	3.0
86	6.3	37.1	31.1	1.75	76.1	3.3
86	6.6	37.2	31.2	1.76	76.5	3.6



Performance Data

Table 33. Heating capacities 2 tons (gross) - EXV/H024 (continued)

EWT	GPM	Htg Cap Mbtuh	Absorb Mbtuh	Comp Pwr kW	LWT	Feet Head
86	7.2	37.4	31.4	1.76	77.3	4.2

Note: Heating performance data is tabulated at 68.0°F DB at the ANSI/AHRI/ASHRAE/ISO13256-1 rated cfm. For conditions other than what is tabulated, multipliers must be used to correct performance. See performance correction tables for fan correction factors for CFM other than rated and the heating correction factors for variation in entering air temperatures. Rated GPM 6; Minimum CFM 608; Rated CFM 760; Maximum CFM 912.

Table 34. Fan Correction 2 tons EXV/H024

Entering cfm	Cooling Capacity	Sensible Capacity	Cooling Input Watts	Heating Capacity	Heating Input Watts
608	0.960	0.889	0.998	0.979	1.099
646	0.971	0.918	0.999	0.986	1.071
684	0.982	0.946	0.999	0.991	1.045
722	0.991	0.973	1.000	0.996	1.021
760	1.000	1.000	1.000	1.000	1.000
836	1.015	1.052	1.001	1.007	0.964
874	1.022	1.078	1.001	1.010	0.948
912	1.028	1.103	1.002	1.012	0.933

Table 35. Correction factors for variation in entering air temperature 2 ton, EXV/H024

Cooling Entering Air WB°F	Cooling capacity	Cooling Input Watts	Sensible vs. Entering Dry Bulb Multiplier					Heating Entering Air DB°F	Heating capacity	Heating Input Watts
			65.6	70.6	75.6	80.6	85.6			
49.4	0.870	0.996	0.961	1.050	1.121	*	*	53.0	1.037	0.837
56.3	0.882	0.996	0.816	0.965	1.085	*	*	58.0	1.026	0.891
60.3	0.903	0.997	0.668	0.857	1.012	1.140	*	63.0	1.014	0.944
63.2	0.950	0.998	0.533	0.752	0.932	1.082	1.209	68.0	1.000	1.000
66.2	1.000	1.000	–	0.621	0.827	1.000	1.147	73.0	0.985	1.057
72.1	1.109	1.008	–	–	0.568	0.784	0.969	78.0	0.969	1.115
77.1	1.208	1.018	–	–	–	–	0.773	83.0	0.953	1.174

Note: * = Sensible equals total capacity

Table 36. Cooling capacities 2 tons (gross) - DXV/H024

EWT	GPM	Total Mbtuh	Sen Mbtuh	SHR	Comp Pwr kW	Reject Mbtuh	LWT	Feet Head
45	3.9	27.9	22.1	0.79	0.93	31.1	60.9	1.7
45	4.8	28.0	22.2	0.79	0.89	31.0	57.9	2.5
45	5.4	28.0	22.2	0.79	0.87	31.0	56.5	3.1
45	6.0	28.1	22.2	0.79	0.85	31.0	55.3	3.7
45	6.3	28.1	22.2	0.79	0.85	31.0	54.8	4.0
45	6.6	28.1	22.2	0.79	0.84	31.0	54.4	4.3
45	7.2	28.1	22.2	0.79	0.83	30.9	53.6	5.0
55	3.9	27.2	21.7	0.80	1.07	30.9	70.8	1.7
55	4.8	27.3	21.8	0.80	1.04	30.8	67.8	2.4
55	5.4	27.3	21.8	0.80	1.02	30.8	66.4	2.9
55	6.0	27.3	21.8	0.80	1.01	30.7	65.2	3.5
55	6.3	27.4	21.9	0.80	1.00	30.8	64.8	3.8
55	6.6	27.4	21.9	0.80	0.99	30.8	64.3	4.1

Table 36. Cooling capacities 2 tons (gross) - DXV/H024 (continued)

EWT	GPM	Total Mbtuh	Sen Mbtuh	SHR	Comp Pwr kW	Reject Mbtuh	LWT	Feet Head
55	7.2	27.4	21.9	0.80	0.98	30.8	63.6	4.8
68	3.9	26.3	21.2	0.81	1.25	30.6	83.7	1.6
68	4.8	26.4	21.3	0.81	1.22	30.6	80.8	2.2
68	5.4	26.5	21.4	0.81	1.20	30.6	79.3	2.7
68	6.0	26.5	21.4	0.81	1.19	30.6	78.2	3.3
68	6.3	26.5	21.4	0.81	1.18	30.5	77.7	3.6
68	6.6	26.5	21.4	0.81	1.18	30.5	77.2	3.9
68	7.2	26.5	21.4	0.81	1.17	30.5	76.5	4.5
75	3.9	25.9	21.0	0.81	1.35	30.5	90.6	1.5
75	4.8	26.0	21.1	0.81	1.32	30.5	87.7	2.2
75	5.4	26.0	21.1	0.81	1.30	30.4	86.3	2.7
75	6.0	26.1	21.2	0.81	1.29	30.5	85.2	3.2
75	6.3	26.1	21.2	0.81	1.28	30.5	84.7	3.5
75	6.6	26.1	21.2	0.81	1.28	30.5	84.2	3.8
75	7.2	26.1	21.2	0.81	1.27	30.4	83.4	4.4
86	3.9	25.0	20.7	0.83	1.51	30.2	101.5	1.4
86	4.8	25.1	20.7	0.82	1.48	30.1	98.5	2.0
86	5.4	25.2	20.8	0.83	1.46	30.2	97.2	2.5
86	6.0	25.2	20.8	0.83	1.45	30.1	96.0	3.0
86	6.3	25.2	20.8	0.83	1.44	30.1	95.6	3.3
86	6.6	25.2	20.8	0.83	1.44	30.1	95.1	3.6
86	7.2	25.3	20.9	0.83	1.43	30.2	94.4	4.2
95	3.9	24.1	20.3	0.84	1.66	29.8	110.3	1.3
95	4.8	24.2	20.4	0.84	1.63	29.7	107.4	1.9
95	5.4	24.3	20.4	0.84	1.61	29.8	106.0	2.4
95	6.0	24.3	20.4	0.84	1.59	29.7	104.9	2.9
95	6.3	24.3	20.4	0.84	1.59	29.7	104.4	3.2
95	6.6	24.3	20.4	0.84	1.58	29.7	104.0	3.4
95	7.2	24.3	20.4	0.84	1.57	29.7	103.3	4.0
105	3.9	22.9	19.7	0.86	1.85	29.2	120.0	1.3
105	4.8	23.0	19.8	0.86	1.81	29.2	117.2	1.9
105	5.4	23.1	19.9	0.86	1.79	29.2	115.8	2.3
105	6.0	23.1	19.9	0.86	1.78	29.2	114.7	2.8
105	6.3	23.1	19.9	0.86	1.77	29.1	114.2	3.0
105	6.6	23.1	19.9	0.86	1.77	29.1	113.8	3.3
105	7.2	23.1	19.9	0.86	1.76	29.1	113.1	3.8
115	3.9	21.6	19.1	0.88	2.08	28.7	129.7	1.3
115	4.8	21.7	19.2	0.88	2.03	28.6	126.9	1.8
115	5.4	21.7	19.2	0.88	2.01	28.6	125.6	2.2
115	6.0	21.8	19.3	0.89	2.00	28.6	124.5	2.7
115	6.3	21.8	19.3	0.89	1.99	28.6	124.1	2.9



Performance Data

Table 36. Cooling capacities 2 tons (gross) - DXV/H024 (continued)

EWT	GPM	Total Mbtuh	Sen Mbtuh	SHR	Comp Pwr kW	Reject Mbtuh	LWT	Feet Head
115	6.6	21.8	19.3	0.89	1.98	28.6	123.7	3.2
115	7.2	21.8	19.3	0.89	1.97	28.5	122.9	3.7

Note: Cooling performance data is tabulated at 80.6°F DB/66.2°F WB entering air at ANSI/AHRI/ASHRAE/ISO13256-1 rated cfm. For conditions other than what is tabulated, multipliers must be used to correct performance. See performance correction tables for fan correction factors for CFM other than rated and the cooling correction factors for variations in entering air temperature. Rated GPM 6; Minimum CFM 608; Rated CFM 760; Maximum CFM 912.

Table 37. Heating capacities 2 tons (gross) - DXV/H024

EWT	GPM	Htg Cap Mbtuh	Absorb Mbtuh	Comp Pwr kW	LWT	Feet Head
25	3.9	16.5	11.9	1.34	18.9	1.8
25	4.8	16.8	12.2	1.35	19.9	2.7
25	5.4	17.0	12.4	1.36	20.4	3.3
25	6.0	17.1	12.5	1.36	20.8	3.9
25	6.3	17.2	12.5	1.36	21.0	4.3
25	6.6	17.3	12.6	1.37	21.2	4.6
25	7.2	17.4	12.7	1.37	21.5	5.4
32	3.9	18.5	13.8	1.39	24.9	1.8
32	4.8	18.9	14.1	1.40	26.1	2.6
32	5.4	19.1	14.3	1.41	26.7	3.2
32	6.0	19.3	14.5	1.41	27.2	3.8
32	6.3	19.4	14.6	1.41	27.4	4.2
32	6.6	19.4	14.6	1.42	27.6	4.5
32	7.2	19.6	14.8	1.42	27.9	5.3
45	3.9	22.5	17.5	1.45	36.0	1.7
45	4.8	23.0	18.0	1.46	37.5	2.5
45	5.4	23.3	18.3	1.47	38.2	3.1
45	6.0	23.5	18.5	1.48	38.8	3.7
45	6.3	23.6	18.6	1.48	39.1	4.0
45	6.6	23.7	18.7	1.48	39.3	4.3
45	7.2	23.9	18.8	1.48	39.8	5.0
55	3.9	25.6	20.4	1.52	44.5	1.7
55	4.8	26.2	21.0	1.53	46.3	2.4
55	5.4	26.6	21.4	1.54	47.1	2.9
55	6.0	26.8	21.5	1.54	47.8	3.5
55	6.3	26.9	21.6	1.55	48.1	3.8
55	6.6	27.0	21.7	1.55	48.4	4.1
55	7.2	27.2	21.9	1.55	48.9	4.8
68	3.9	29.7	24.2	1.62	55.6	1.6
68	4.8	30.4	24.8	1.63	57.7	2.2
68	5.4	30.8	25.2	1.64	58.7	2.7
68	6.0	31.1	25.5	1.64	59.5	3.3
68	6.3	31.2	25.6	1.64	59.9	3.6
68	6.6	31.3	25.7	1.64	60.2	3.9
68	7.2	31.6	26.0	1.65	60.8	4.5

Table 37. Heating capacities 2 tons (gross) - DXV/H024 (continued)

EWT	GPM	Htg Cap Mbtuh	Absorb Mbtuh	Comp Pwr kW	LWT	Feet Head
75	3.9	31.8	26.1	1.66	61.6	1.5
75	4.8	32.6	26.9	1.67	63.8	2.2
75	5.4	33.0	27.3	1.68	64.9	2.7
75	6.0	33.3	27.6	1.69	65.8	3.2
75	6.3	33.5	27.7	1.69	66.2	3.5
75	6.6	33.6	27.8	1.69	66.6	3.8
75	7.2	33.8	28.0	1.69	67.2	4.4
86	3.9	35.0	29.1	1.73	71.1	1.4
86	4.8	35.9	30.0	1.74	73.5	2.0
86	5.4	36.3	30.3	1.75	74.8	2.5
86	6.0	36.7	30.7	1.75	75.8	3.0
86	6.3	36.8	30.8	1.75	76.2	3.3
86	6.6	37.0	31.0	1.76	76.6	3.6
86	7.2	37.2	31.2	1.76	77.3	4.2

Note: Heating performance data is tabulated at 68.0°F DB at the ANSI/AHRI/ASHRAE/ISO13256-1 rated cfm. For conditions other than what is tabulated, multipliers must be used to correct performance. See performance correction tables for fan correction factors for CFM other than rated and the heating correction factors for variation in entering air temperatures. Rated GPM 6; Minimum CFM 608; Rated CFM 760; Maximum CFM 912.

Table 38. Fan Correction 2 tons DXV/H024

Entering cfm	Cooling Capacity	Sensible Capacity	Cooling Input Watts	Heating Capacity	Heating Input Watts
608	0.960	0.877	0.998	0.980	1.089
646	0.971	0.909	0.998	0.986	1.062
684	0.981	0.940	0.999	0.991	1.039
722	0.991	0.970	0.999	0.996	1.018
760	1.000	1.000	1.000	1.000	1.000
836	1.015	1.061	1.001	1.007	0.969
874	1.023	1.091	1.001	1.010	0.956
912	1.029	1.121	1.002	1.013	0.944

Table 39. Correction factors for variation in entering air temperature 2 tons, DXV/H024

Cooling Entering Air WB°F	Cooling capacity	Cooling Input Watts	Sensible vs. Entering Dry Bulb Multiplier					Heating Entering Air DB°F	Heating capacity	Heating Input Watts
			65.0	70.0	75.0	80.0	85.0			
49.4	0.892	0.996	0.942	1.019	1.076	*	*	53.0	1.042	0.864
56.3	0.904	0.994	0.811	0.956	1.066	*	*	58.0	1.028	0.907
60.3	0.913	0.996	0.660	0.855	1.006	1.125	*	63.0	1.014	0.952
63.2	0.956	0.998	0.515	0.748	0.931	1.076	*	68.0	1.000	1.000
66.2	1.000	1.000	—	0.610	0.826	1.000	1.142	73.0	0.985	1.051
72.1	1.112	1.006	—	—	0.553	0.783	0.972	78.0	0.970	1.105
77.1	1.206	1.012	—	—	—	—	0.772	83.0	0.956	1.163

Note: * = Sensible equals total capacity



Performance Data

Cooling and Heating Capacities 2.5 tons

Table 40. Cooling capacities 2.5 tons (gross) - EXV/H030

EWT	GPM	Total Mbtuh	Sen Mbtuh	SHR	Comp Pwr kW	Reject Mbtuh	LWT	Feet Head
45	4.9	36.2	28.1	0.78	1.17	40.2	61.4	2.5
45	6.0	36.2	28.1	0.78	1.16	40.2	58.4	3.6
45	6.8	36.3	28.2	0.78	1.16	40.2	56.8	4.5
45	7.5	36.3	28.2	0.78	1.15	40.2	55.7	5.3
45	7.9	36.3	28.2	0.78	1.15	40.2	55.2	5.8
45	8.3	36.4	28.3	0.78	1.15	40.3	54.7	6.3
45	9.0	36.4	28.3	0.78	1.15	40.3	54.0	7.3
55	4.9	35.9	27.8	0.77	1.26	40.2	71.4	2.3
55	6.0	36.0	27.9	0.77	1.23	40.2	68.4	3.3
55	6.8	36.0	27.9	0.77	1.22	40.2	66.8	4.1
55	7.5	36.1	28.0	0.78	1.21	40.2	65.7	4.9
55	7.9	36.1	28.0	0.78	1.21	40.2	65.2	5.3
55	8.3	36.1	28.0	0.78	1.20	40.2	64.7	5.8
55	9.0	36.1	28.0	0.78	1.20	40.2	63.9	6.7
68	4.9	34.9	27.4	0.79	1.44	39.8	84.2	2.1
68	6.0	34.9	27.4	0.79	1.40	39.7	81.2	3.0
68	6.8	35.0	27.5	0.79	1.38	39.7	79.7	3.8
68	7.5	35.0	27.5	0.79	1.37	39.7	78.6	4.5
68	7.9	35.0	27.5	0.79	1.36	39.7	78.1	4.9
68	8.3	35.0	27.5	0.79	1.36	39.6	77.5	5.4
68	9.0	35.1	27.5	0.78	1.35	39.7	76.8	6.2
75	4.9	34.0	27.1	0.80	1.57	39.4	91.1	2.0
75	6.0	34.0	27.1	0.80	1.53	39.2	88.1	2.9
75	6.8	34.1	27.1	0.79	1.51	39.2	86.5	3.6
75	7.5	34.1	27.1	0.79	1.49	39.2	85.5	4.3
75	7.9	34.1	27.1	0.79	1.48	39.2	84.9	4.7
75	8.3	34.1	27.1	0.79	1.48	39.1	84.4	5.2
75	9.0	34.2	27.2	0.80	1.47	39.2	83.7	6.0
86	4.9	32.4	26.4	0.81	1.81	38.6	101.8	2.0
86	6.0	32.5	26.5	0.82	1.76	38.5	98.8	2.8
86	6.8	32.5	26.5	0.82	1.74	38.4	97.3	3.5
86	7.5	32.5	26.5	0.82	1.72	38.4	96.2	4.1
86	7.9	32.6	26.6	0.82	1.71	38.4	95.7	4.5
86	8.3	32.6	26.6	0.82	1.70	38.4	95.3	4.9
86	9.0	32.6	26.6	0.82	1.69	38.4	94.5	5.7
95	4.9	31.1	25.9	0.83	2.04	38.0	110.5	1.9
95	6.0	31.2	26.0	0.83	1.98	38.0	107.7	2.7
95	6.8	31.2	26.0	0.83	1.95	37.9	106.1	3.3
95	7.5	31.3	26.1	0.83	1.93	37.9	105.1	4.0
95	7.9	31.3	26.1	0.83	1.92	37.9	104.6	4.4

Table 40. Cooling capacities 2.5 tons (gross) - EXV/H030 (continued)

EWT	GPM	Total Mbtuh	Sen Mbtuh	SHR	Comp Pwr kW	Reject Mbtuh	LWT	Feet Head
95	8.3	31.3	26.1	0.83	1.92	37.8	104.1	4.7
95	9.0	31.3	26.1	0.83	1.90	37.8	103.4	5.5
105	4.9	29.6	25.2	0.85	2.30	37.4	120.3	1.8
105	6.0	29.7	25.3	0.85	2.24	37.4	117.5	2.6
105	6.8	29.7	25.3	0.85	2.22	37.3	116.0	3.2
105	7.5	29.7	25.3	0.85	2.20	37.2	114.9	3.8
105	7.9	29.8	25.4	0.85	2.19	37.3	114.4	4.2
105	8.3	29.8	25.4	0.85	2.18	37.2	114.0	4.6
105	9.0	29.8	25.4	0.85	2.16	37.2	113.3	5.3
115	4.9	27.8	24.4	0.88	2.57	36.6	129.9	1.8
115	6.0	27.9	24.5	0.88	2.52	36.5	127.2	2.5
115	6.8	27.9	24.5	0.88	2.49	36.4	125.7	3.2
115	7.5	28.0	24.6	0.88	2.47	36.4	124.7	3.7
115	7.9	28.0	24.6	0.88	2.46	36.4	124.2	4.1
115	8.3	28.0	24.6	0.88	2.45	36.4	123.8	4.5
115	9.0	28.0	24.6	0.88	2.44	36.3	123.1	5.1

Note: Cooling performance data is tabulated at 80.6°F DB/66.2°F WB entering air at ANSI/AHRI/ASHRAE/ISO13256-1 rated cfm. For conditions other than what is tabulated, multipliers must be used to correct performance. See performance correction tables for fan correction factors for CFM other than rated and the cooling correction factors for variations in entering air temperature. Rated GPM 7.5; Minimum CFM 760; Rated CFM 950; Maximum CFM 1140.

Table 41. Heating capacities 2.5 tons (gross) - EXV/H030

EWT	GPM	Htg Cap Mbtuh	Absorb Mbtuh	Comp Pwr kW	LWT	Feet Head
25	4.9	20.0	14.8	1.53	19.0	3.1
25	6.0	20.3	15.0	1.55	20.0	4.4
25	6.8	20.5	15.2	1.56	20.5	5.4
25	7.5	20.7	15.4	1.56	20.9	6.5
25	7.9	20.8	15.5	1.57	21.1	7.1
25	8.3	20.8	15.4	1.57	21.3	7.7
25	9.0	20.9	15.5	1.57	21.6	8.9
32	4.9	22.4	17.1	1.56	25.0	2.9
32	6.0	22.8	17.4	1.58	26.2	4.1
32	6.8	23.1	17.7	1.59	26.8	5.1
32	7.5	23.3	17.9	1.60	27.2	6.0
32	7.9	23.4	17.9	1.60	27.5	6.6
32	8.3	23.5	18.0	1.60	27.7	7.2
32	9.0	23.6	18.1	1.61	28.0	8.3
45	4.9	27.2	21.4	1.69	36.3	2.5
45	6.0	27.8	22.0	1.70	37.7	3.6
45	6.8	28.2	22.4	1.71	38.4	4.5
45	7.5	28.4	22.5	1.72	39.0	5.3
45	7.9	28.6	22.7	1.72	39.3	5.8
45	8.3	28.7	22.8	1.72	39.5	6.3



Performance Data

Table 41. Heating capacities 2.5 tons (gross) - EXV/H030 (continued)

EWT	GPM	Htg Cap Mbtuh	Absorb Mbtuh	Comp Pwr kW	LWT	Feet Head
45	9.0	28.8	22.9	1.73	39.9	7.3
55	4.9	31.1	25.0	1.78	44.8	2.3
55	6.0	31.9	25.8	1.79	46.4	3.3
55	6.8	32.3	26.2	1.80	47.3	4.1
55	7.5	32.6	26.4	1.81	48.0	4.9
55	7.9	32.7	26.5	1.81	48.3	5.3
55	8.3	32.9	26.7	1.81	48.6	5.8
55	9.0	33.1	26.9	1.82	49.0	6.7
68	4.9	36.3	29.9	1.87	55.8	2.1
68	6.0	37.2	30.8	1.88	57.7	3.0
68	6.8	37.7	31.2	1.89	58.8	3.8
68	7.5	38.0	31.5	1.90	59.6	4.5
68	7.9	38.2	31.7	1.90	60.0	4.9
68	8.3	38.4	31.9	1.90	60.3	5.4
68	9.0	38.6	32.1	1.91	60.9	6.2
75	4.9	39.0	32.5	1.92	61.7	2.0
75	6.0	40.0	33.4	1.93	63.9	2.9
75	6.8	40.5	33.9	1.94	65.0	3.6
75	7.5	40.9	34.3	1.95	65.9	4.3
75	7.9	41.1	34.4	1.95	66.3	4.7
75	8.3	41.3	34.6	1.95	66.7	5.2
75	9.0	41.5	34.8	1.96	67.3	6.0
86	4.9	43.1	36.1	2.06	71.3	2.0
86	6.0	44.2	37.1	2.07	73.6	2.8
86	6.8	44.8	37.7	2.08	74.9	3.5
86	7.5	45.2	38.1	2.09	75.8	4.1
86	7.9	45.4	38.3	2.09	76.3	4.5
86	8.3	45.6	38.5	2.09	76.7	4.9
86	9.0	45.9	38.7	2.10	77.4	5.7

Note: Heating performance data is tabulated at 68.0°F DB at the ANSI/AHRI/ASHRAE/ISO13256-1 rated cfm. For conditions other than what is tabulated, multipliers must be used to correct performance. See performance correction tables for fan correction factors for CFM other than rated and the heating correction factors for variation in entering air temperatures. Rated GPM 7.5; Minimum CFM 760; Rated CFM 950; Maximum CFM 1140.

Table 42. Fan Correction 2.5 EXV/H030

Entering cfm	Cooling Capacity	Sensible Capacity	Cooling Input Watts	Heating Capacity	Heating Input Watts
760	0.960	0.879	0.997	0.978	1.094
808	0.971	0.910	0.998	0.985	1.066
855	0.982	0.940	0.999	0.990	1.042
903	0.992	0.970	0.999	0.996	1.020
950	1.000	1.000	1.000	1.000	1.000
1045	1.015	1.059	1.001	1.007	0.966

Table 42. Fan Correction 2.5 EXV/H030 (continued)

1093	1.022	1.089	1.002	1.010	0.951
1140	1.028	1.119	1.002	1.013	0.938

Table 43. Correction factors for variation in entering air temperature 2.5 tons, EXV/H030

Cooling Entering Air WB°F	Cooling capacity	Cooling Input Watts	Sensible vs. Entering Dry Bulb Multiplier					Heating Entering Air DB°F	Heating capacity	Heating Input Watts
			65.6	70.6	75.6	80.6	85.6			
49.4	0.893	0.994	0.951	1.030	1.088	*	*	53.0	1.035	0.846
56.3	0.906	0.994	0.813	0.958	1.071	*	*	58.0	1.025	0.895
60.3	0.917	0.995	0.667	0.856	1.004	1.123	*	63.0	1.013	0.946
63.2	0.949	0.997	0.531	0.753	0.930	1.073	*	68.0	1.000	1.000
66.2	1.000	1.000	–	0.624	0.831	1.000	1.139	73.0	0.985	1.056
72.1	1.109	1.011	–	–	0.570	0.794	0.980	78.0	0.969	1.115
77.1	1.207	1.025	–	–	–	–	0.787	83.0	0.952	1.174

Note: * = Sensible equals total capacity

Cooling and Heating Capacities 3 tons

Table 44. Cooling capacities 3 tons (gross) - EXV/H036

EWT	GPM	Total Mbtuh	Sen Mbtuh	SHR	Comp Pwr kW	Reject Mbtuh	LWT	Feet Head
45	5.9	41.4	32.9	0.79	1.32	45.9	60.6	3.3
45	7.2	41.4	32.9	0.79	1.31	45.9	57.8	4.7
45	8.1	41.5	33.0	0.80	1.30	45.9	56.3	5.8
45	9.0	41.5	33.0	0.80	1.30	45.9	55.2	7.0
45	9.5	41.5	33.0	0.80	1.30	45.9	54.7	7.7
45	9.9	41.5	33.0	0.80	1.30	45.9	54.3	8.3
45	10.8	41.6	33.1	0.80	1.30	46.0	53.5	9.7
55	5.9	40.7	32.4	0.80	1.42	45.5	70.4	3.0
55	7.2	40.8	32.5	0.80	1.39	45.5	67.6	4.3
55	8.1	40.8	32.5	0.80	1.37	45.5	66.2	5.4
55	9.0	40.9	32.6	0.80	1.36	45.6	65.1	6.5
55	9.5	40.9	32.6	0.80	1.36	45.5	64.6	7.2
55	9.9	40.9	32.6	0.80	1.36	45.5	64.2	7.7
55	10.8	40.9	32.6	0.80	1.35	45.5	63.4	9.0
68	5.9	39.3	31.8	0.81	1.62	44.8	83.2	2.9
68	7.2	39.4	31.8	0.81	1.58	44.8	80.4	4.1
68	8.1	39.4	31.8	0.81	1.56	44.7	79.0	5.0
68	9.0	39.5	31.9	0.81	1.55	44.8	78.0	6.1
68	9.5	39.5	31.9	0.81	1.54	44.8	77.4	6.7
68	9.9	39.5	31.9	0.81	1.53	44.7	77.0	7.2
68	10.8	39.5	31.9	0.81	1.52	44.7	76.3	8.4
75	5.9	38.3	31.4	0.82	1.77	44.3	90.0	2.9
75	7.2	38.4	31.4	0.82	1.72	44.3	87.3	4.0
75	8.1	38.4	31.4	0.82	1.70	44.2	85.9	4.9



Performance Data

Table 44. Cooling capacities 3 tons (gross) - EXV/H036 (continued)

EWT	GPM	Total Mbtuh	Sen Mbtuh	SHR	Comp Pwr kW	Reject Mbtuh	LWT	Feet Head
75	9.0	38.5	31.5	0.82	1.68	44.2	84.8	5.9
75	9.5	38.5	31.5	0.82	1.67	44.2	84.3	6.5
75	9.9	38.5	31.5	0.82	1.67	44.2	83.9	7.0
75	10.8	38.5	31.5	0.82	1.66	44.2	83.2	8.2
86	5.9	36.6	30.7	0.84	2.03	43.5	100.7	2.9
86	7.2	36.7	30.8	0.84	1.98	43.5	98.1	4.0
86	8.1	36.7	30.8	0.84	1.95	43.4	96.7	4.8
86	9.0	36.8	30.8	0.84	1.93	43.4	95.6	5.8
86	9.5	36.8	30.8	0.84	1.93	43.4	95.1	6.3
86	9.9	36.8	30.8	0.84	1.92	43.3	94.7	6.8
86	10.8	36.8	30.8	0.84	1.91	43.3	94.0	7.9
95	5.9	35.2	30.1	0.86	2.27	42.9	109.5	2.9
95	7.2	35.3	30.1	0.85	2.22	42.9	106.9	3.9
95	8.1	35.3	30.1	0.85	2.19	42.8	105.6	4.8
95	9.0	35.3	30.1	0.85	2.17	42.7	104.5	5.7
95	9.5	35.4	30.2	0.85	2.16	42.8	104.0	6.3
95	9.9	35.4	30.2	0.85	2.15	42.7	103.6	6.7
95	10.8	35.4	30.2	0.85	2.14	42.7	102.9	7.8
105	5.9	33.4	29.3	0.88	2.55	42.1	119.3	2.8
105	7.2	33.5	29.3	0.87	2.50	42.0	116.7	3.9
105	8.1	33.6	29.4	0.87	2.47	42.0	115.4	4.7
105	9.0	33.6	29.4	0.87	2.45	42.0	114.3	5.6
105	9.5	33.6	29.4	0.87	2.44	41.9	113.8	6.2
105	9.9	33.6	29.4	0.87	2.43	41.9	113.5	6.6
105	10.8	33.7	29.5	0.88	2.42	42.0	112.8	7.7
115	5.9	31.5	28.5	0.90	2.86	41.2	129.0	2.7
115	7.2	31.5	28.5	0.90	2.80	41.1	126.4	3.8
115	8.1	31.6	28.6	0.91	2.77	41.1	125.1	4.6
115	9.0	31.6	28.6	0.91	2.75	41.0	124.1	5.5
115	9.5	31.6	28.6	0.91	2.74	41.0	123.6	6.0
115	9.9	31.6	28.6	0.91	2.73	40.9	123.3	6.5
115	10.8	31.7	28.6	0.90	2.72	41.0	122.6	7.5

Note: Cooling performance data is tabulated at 80.6°F DB/66.2°F WB entering air at ANSI/AHRI/ASHRAE/ISO13256-1 rated cfm. For conditions other than what is tabulated, multipliers must be used to correct performance. See performance correction tables for fan correction factors for CFM other than rated and the cooling correction factors for variations in entering air temperature. Rated GPM 9; Minimum CFM 912; Rated CFM 1140; Maximum CFM 1368.

Table 45. Heating capacities 3 tons (gross) - EXV/H036

EWT	GPM	Htg Cap Mbtuh	Absorb Mbtuh	Comp Pwr kW	LWT	Feet Head
25	5.9	23.1	17.0	1.78	19.2	4.2
25	7.2	23.5	17.4	1.79	20.2	5.9
25	8.1	23.7	17.6	1.79	20.7	7.3
25	9.0	23.9	17.8	1.79	21.0	8.7

Table 45. Heating capacities 3 tons (gross) - EXV/H036 (continued)

EWT	GPM	Htg Cap Mbtuh	Absorb Mbtuh	Comp Pwr kW	LWT	Feet Head
25	9.5	24.0	17.9	1.79	21.2	9.5
25	9.9	24.0	17.9	1.79	21.4	10.2
25	10.8	24.2	18.1	1.79	21.6	11.9
32	5.9	25.8	19.6	1.82	25.4	3.8
32	7.2	26.3	20.1	1.83	26.4	5.4
32	8.1	26.5	20.2	1.83	27.0	6.6
32	9.0	26.7	20.4	1.84	27.5	8.0
32	9.5	26.8	20.5	1.84	27.7	8.8
32	9.9	26.9	20.6	1.84	27.8	9.4
32	10.8	27.1	20.8	1.84	28.1	11.0
45	5.9	31.2	24.7	1.90	36.6	3.3
45	7.2	31.9	25.4	1.91	37.9	4.7
45	8.1	32.2	25.7	1.92	38.7	5.8
45	9.0	32.5	25.9	1.92	39.2	7.0
45	9.5	32.7	26.1	1.93	39.5	7.7
45	9.9	32.8	26.2	1.93	39.7	8.3
45	10.8	33.0	26.4	1.93	40.1	9.7
55	5.9	35.6	28.9	1.97	45.2	3.0
55	7.2	36.4	29.6	1.98	46.8	4.3
55	8.1	36.8	30.0	1.99	47.6	5.4
55	9.0	37.2	30.4	2.00	48.2	6.5
55	9.5	37.3	30.5	2.00	48.6	7.2
55	9.9	37.5	30.7	2.00	48.8	7.7
55	10.8	37.7	30.9	2.01	49.3	9.0
68	5.9	41.3	34.3	2.07	56.4	2.9
68	7.2	42.3	35.2	2.09	58.2	4.1
68	8.1	42.9	35.7	2.10	59.2	5.0
68	9.0	43.3	36.1	2.11	60.0	6.1
68	9.5	43.5	36.3	2.11	60.4	6.7
68	9.9	43.7	36.5	2.11	60.6	7.2
68	10.8	44.0	36.8	2.12	61.2	8.4
75	5.9	44.4	37.1	2.13	62.4	2.9
75	7.2	45.5	38.2	2.15	64.4	4.0
75	8.1	46.1	38.7	2.16	65.4	4.9
75	9.0	46.6	39.2	2.17	66.3	5.9
75	9.5	46.8	39.4	2.18	66.7	6.5
75	9.9	47.0	39.6	2.18	67.0	7.0
75	10.8	47.3	39.8	2.19	67.6	8.2
86	5.9	49.3	41.7	2.24	71.9	2.9
86	7.2	50.5	42.8	2.27	74.1	4.0
86	8.1	51.2	43.4	2.29	75.3	4.8



Performance Data

Table 45. Heating capacities 3 tons (gross) - EXV/H036 (continued)

EWT	GPM	Htg Cap Mbtuh	Absorb Mbtuh	Comp Pwr kW	LWT	Feet Head
86	9.0	51.7	43.9	2.30	76.2	5.8
86	9.5	52.0	44.1	2.30	76.7	6.3
86	9.9	52.2	44.3	2.31	77.1	6.8
86	10.8	52.6	44.7	2.32	77.7	7.9

Note: Heating performance data is tabulated at 68.0°F DB at the ANSI/AHRI/ASHRAE/ISO13256-1 rated cfm. For conditions other than what is tabulated, multipliers must be used to correct performance. See performance correction tables for fan correction factors for CFM other than rated and the heating correction factors for variation in entering air temperatures. Rated GPM 9; Minimum CFM 912; Rated CFM 1140; Maximum CFM 1368.

Table 46. Fan correction 3 tons EXV/H036

Entering cfm	Cooling Capacity	Sensible Capacity	Cooling Input Watts	Heating Capacity	Heating Input Watts
912	0.961	0.875	0.998	0.980	1.088
969	0.973	0.907	0.999	0.986	1.062
1026	0.983	0.938	0.999	0.992	1.039
1083	0.992	0.969	1.000	0.996	1.018
1140	1.000	1.000	1.000	1.000	1.000
1254	1.015	1.062	1.001	1.006	0.968
1311	1.022	1.093	1.001	1.009	0.955
1368	1.029	1.123	1.002	1.012	0.942

Table 47. Correction factors for variation in entering air temperature 3 tons, EXV/H036

Cooling Entering Air WB°F	Cooling capacity	Cooling Input Watts	Sensible vs. Entering Dry Bulb Multiplier					Heating Entering Air DB°F	Heating capacity	Heating Input Watts
			65.6	70.6	75.6	80.6	85.6			
49.4	0.893	0.996	0.937	1.011	1.073	*	*	53.0	1.037	0.848
56.3	0.894	0.996	0.811	0.952	1.057	*	*	58.0	1.026	0.897
60.3	0.910	0.996	0.662	0.855	0.999	1.112	*	63.0	1.014	0.947
63.2	0.953	0.998	0.516	0.752	0.930	1.068	*	68.0	1.000	1.000
66.2	1.000	1.000	–	0.615	0.832	1.000	1.135	73.0	0.985	1.056
72.1	1.111	1.008	–	–	0.559	0.795	0.985	78.0	0.969	1.113
77.1	1.210	1.020	–	–	–	–	0.789	83.0	0.953	1.173

Note: * = Sensible equals total capacity

Table 48. Cooling capacities 3 tons (gross) - DXV/H036

EWT	GPM	Total Mbtuh	Sen Mbtuh	SHR	Comp Pwr kW	Reject Mbtuh	LWT	Feet Head
45	5.9	40.0	32.2	0.81	1.36	44.6	60.1	3.3
45	7.2	40.2	32.4	0.81	1.35	44.8	57.4	4.8
45	8.1	40.3	32.5	0.81	1.35	44.9	56.1	5.9
45	9.0	40.3	32.5	0.81	1.35	44.9	55.0	7.2
45	9.5	40.3	32.5	0.81	1.35	44.9	54.5	7.9
45	9.9	40.4	32.5	0.80	1.35	45.0	54.1	8.5
45	10.8	40.4	32.5	0.80	1.35	45.0	53.3	9.9
55	5.9	38.8	31.7	0.82	1.42	43.7	69.8	3.1
55	7.2	39.0	31.8	0.82	1.41	43.8	67.2	4.5
55	8.1	39.1	31.9	0.82	1.40	43.9	65.8	5.5

Table 48. Cooling capacities 3 tons (gross) - DXV/H036 (continued)

EWT	GPM	Total Mbtuh	Sen Mbtuh	SHR	Comp Pwr kW	Reject Mbtuh	LWT	Feet Head
55	9.0	39.1	31.9	0.82	1.39	43.8	64.7	6.7
55	9.5	39.1	31.9	0.82	1.39	43.8	64.2	7.4
55	9.9	39.2	32.0	0.82	1.39	43.9	63.9	8.0
55	10.8	39.2	32.0	0.82	1.38	43.9	63.1	9.3
68	5.9	37.1	30.9	0.83	1.58	42.5	82.4	3.0
68	7.2	37.3	31.1	0.83	1.55	42.6	79.8	4.2
68	8.1	37.4	31.2	0.83	1.53	42.6	78.5	5.2
68	9.0	37.4	31.2	0.83	1.52	42.6	77.5	6.3
68	9.5	37.5	31.3	0.83	1.52	42.7	77.0	6.9
68	9.9	37.5	31.3	0.83	1.51	42.7	76.6	7.5
68	10.8	37.5	31.3	0.83	1.50	42.6	75.9	8.7
75	5.9	36.2	30.5	0.84	1.69	42.0	89.2	3.0
75	7.2	36.4	30.7	0.84	1.65	42.0	86.7	4.2
75	8.1	36.4	30.7	0.84	1.64	42.0	85.4	5.1
75	9.0	36.5	30.8	0.84	1.62	42.0	84.3	6.2
75	9.5	36.5	30.8	0.84	1.62	42.0	83.8	6.8
75	9.9	36.6	30.9	0.84	1.61	42.1	83.5	7.3
75	10.8	36.6	30.9	0.84	1.60	42.1	82.8	8.5
86	5.9	34.6	29.8	0.86	1.91	41.1	99.9	3.0
86	7.2	34.8	30.0	0.86	1.86	41.2	97.4	4.1
86	8.1	34.9	30.1	0.86	1.84	41.2	96.2	5.0
86	9.0	34.9	30.1	0.86	1.83	41.1	95.1	6.0
86	9.5	35.0	30.2	0.86	1.82	41.2	94.7	6.6
86	9.9	35.0	30.2	0.86	1.81	41.2	94.3	7.1
86	10.8	35.0	30.2	0.86	1.80	41.1	93.6	8.3
95	5.9	33.2	29.2	0.88	2.11	40.4	108.7	2.9
95	7.2	33.4	29.4	0.88	2.07	40.5	106.3	4.1
95	8.1	33.5	29.5	0.88	2.05	40.5	105.0	5.0
95	9.0	33.5	29.5	0.88	2.03	40.4	104.0	5.9
95	9.5	33.6	29.6	0.88	2.02	40.5	103.5	6.5
95	9.9	33.6	29.6	0.88	2.01	40.5	103.2	7.0
95	10.8	33.6	29.6	0.88	2.00	40.4	102.5	8.1
105	5.9	31.6	28.6	0.91	2.37	39.7	118.5	2.9
105	7.2	31.7	28.6	0.90	2.33	39.6	116.0	4.0
105	8.1	31.8	28.7	0.90	2.30	39.7	114.8	4.9
105	9.0	31.9	28.8	0.90	2.29	39.7	113.8	5.8
105	9.5	31.9	28.8	0.90	2.28	39.7	113.4	6.4
105	9.9	31.9	28.8	0.90	2.27	39.6	113.0	6.9
105	10.8	32.0	28.9	0.90	2.26	39.7	112.4	8.0
115	5.9	29.8	27.8	0.93	2.66	38.9	128.2	2.7
115	7.2	30.0	27.9	0.93	2.62	38.9	125.8	3.9



Performance Data

Table 48. Cooling capacities 3 tons (gross) - DXV/H036 (continued)

EWT	GPM	Total Mbtuh	Sen Mbtuh	SHR	Comp Pwr kW	Reject Mbtuh	LWT	Feet Head
115	8.1	30.1	28.0	0.93	2.59	38.9	124.6	4.7
115	9.0	30.1	28.0	0.93	2.57	38.9	123.6	5.7
115	9.5	30.1	28.0	0.93	2.57	38.9	123.2	6.2
115	9.9	30.2	28.1	0.93	2.56	38.9	122.9	6.7
115	10.8	30.2	28.1	0.93	2.55	38.9	122.2	7.8

Note: Cooling performance data is tabulated at 80.6°F DB/66.2°F WB entering air at ANSI/AHRI/ASHRAE/ISO13256-1 rated cfm. For conditions other than what is tabulated, multipliers must be used to correct performance. See performance correction tables for fan correction factors for CFM other than rated and the cooling correction factors for variations in entering air temperature. Rated GPM 9; Minimum CFM 912; Rated CFM 1140; Maximum CFM 1368.

Table 49. Heating capacities 3 tons (gross) - DXV/H036

EWT	GPM	Htg Cap Mbtuh	Absorb Mbtuh	Comp Pwr kW	LWT	Feet Head
25	5.9	21.6	16.2	1.58	19.5	4.2
25	7.2	21.9	16.5	1.59	20.4	5.9
25	8.1	22.1	16.7	1.59	20.9	7.3
25	9.0	22.3	16.9	1.59	21.2	8.7
25	9.5	22.3	16.9	1.60	21.4	9.5
25	9.9	22.4	17.0	1.60	21.6	10.2
25	10.8	22.5	17.1	1.60	21.8	11.8
32	5.9	24.0	18.5	1.62	25.7	3.8
32	7.2	24.5	19.0	1.62	26.7	5.4
32	8.1	24.7	19.2	1.63	27.3	6.7
32	9.0	24.9	19.3	1.63	27.7	8.1
32	9.5	25.0	19.4	1.63	27.9	8.9
32	9.9	25.0	19.4	1.63	28.1	9.5
32	10.8	25.2	19.6	1.63	28.4	11.1
45	5.9	28.8	23.0	1.69	37.2	3.3
45	7.2	29.4	23.6	1.70	38.4	4.8
45	8.1	29.7	23.9	1.70	39.1	5.9
45	9.0	29.9	24.1	1.70	39.6	7.2
45	9.5	30.0	24.2	1.71	39.9	7.9
45	9.9	30.1	24.3	1.71	40.1	8.5
45	10.8	30.3	24.5	1.71	40.5	9.9
55	5.9	32.6	26.6	1.76	46.0	3.1
55	7.2	33.3	27.3	1.77	47.4	4.5
55	8.1	33.7	27.6	1.78	48.2	5.5
55	9.0	34.0	27.9	1.78	48.8	6.7
55	9.5	34.2	28.1	1.78	49.1	7.4
55	9.9	34.3	28.2	1.79	49.3	8.0
55	10.8	34.5	28.4	1.79	49.7	9.3
68	5.9	38.0	31.6	1.87	57.3	3.0
68	7.2	38.9	32.4	1.89	59.0	4.2
68	8.1	39.3	32.8	1.90	59.9	5.2
68	9.0	39.7	33.2	1.91	60.6	6.3

Table 49. Heating capacities 3 tons (gross) - DXV/H036 (continued)

EWT	GPM	Htg Cap Mbtuh	Absorb Mbtuh	Comp Pwr kW	LWT	Feet Head
68	9.5	39.9	33.4	1.92	61.0	6.9
68	9.9	40.0	33.4	1.92	61.3	7.5
68	10.8	40.3	33.7	1.93	61.8	8.7
75	5.9	41.0	34.4	1.95	63.3	3.0
75	7.2	42.0	35.3	1.98	65.2	4.2
75	8.1	42.5	35.7	1.99	66.2	5.1
75	9.0	43.0	36.2	2.00	67.0	6.2
75	9.5	43.2	36.3	2.01	67.4	6.8
75	9.9	43.3	36.4	2.01	67.6	7.3
75	10.8	43.7	36.8	2.02	68.2	8.5
86	5.9	46.1	38.9	2.10	72.8	3.0
86	7.2	47.3	40.0	2.14	74.9	4.1
86	8.1	47.9	40.5	2.16	76.0	5.0
86	9.0	48.4	41.0	2.17	76.9	6.0
86	9.5	48.7	41.3	2.18	77.3	6.6
86	9.9	48.8	41.3	2.19	77.7	7.1
86	10.8	49.2	41.7	2.20	78.3	8.3

Note: Heating performance data is tabulated at 68.0°F DB at the ANSI/AHRI/ASHRAE/ISO13256-1 rated cfm. For conditions other than what is tabulated, multipliers must be used to correct performance. See performance correction tables for fan correction factors for CFM other than rated and the heating correction factors for variation in entering air temperatures. Rated GPM 9; Minimum CFM 912; Rated CFM 1140; Maximum CFM 1368.

Table 50. Fan correction factors 3 tons - DXV/H036

Entering cfm	Cooling Capacity	Sensible Capacity	Cooling Input Watts	Heating Capacity	Heating Input Watts
912	0.963	0.872	0.995	0.978	1.078
969	0.972	0.906	0.996	0.985	1.054
1026	0.982	0.937	0.998	0.990	1.034
1083	0.992	0.968	0.999	0.995	1.016
1140	1.000	1.000	1.000	1.000	1.000
1254	1.014	1.064	1.002	1.008	0.973
1311	1.021	1.095	1.003	1.011	0.961
1368	1.028	1.127	1.004	1.014	0.951

Table 51. Correction factors for variation in entering air temperature 3 tons, DXV/H036

Cooling Entering Air WB°F	Cooling capacity	Cooling Input Watts	Sensible vs. Entering Dry Bulb Multiplier					Heating Entering Air DB°F	Heating capacity	Heating Input Watts
			65.0	70.0	75.0	80.0	85.0			
49.4	0.899	0.992	0.925	0.993	1.049	*	*	53.0	1.048	0.863
56.3	0.904	0.992	0.812	0.947	1.048	*	*	58.0	1.032	0.905
60.3	0.923	0.992	0.663	0.854	0.996	*	*	63.0	1.016	0.951
63.2	0.960	0.995	0.515	0.752	0.929	1.065	*	68.0	1.000	1.000
66.2	1.000	1.000	—	0.617	0.833	1.000	1.133	73.0	0.983	1.053
72.1	1.115	1.019	—	—	0.563	0.800	0.988	78.0	0.967	1.110
77.1	1.212	1.046	—	—	—	—	0.796	83.0	0.950	1.170

Note: * = Sensible equals total capacity



Performance Data

Cooling and Heating Capacities 3.5 tons

Table 52. Cooling capacities 3.5 tons (gross) - EXV/H042

EWT	GPM	Total Mbtuh	Sen Mbtuh	SHR	Comp Pwr kW	Reject Mbtuh	LWT	Feet Head
45	6.8	45.3	37.1	0.82	1.44	50.2	59.8	2.6
45	8.4	45.5	37.3	0.82	1.43	50.4	57.0	3.9
45	9.5	45.5	37.3	0.82	1.43	50.4	55.6	4.8
45	10.5	45.6	37.4	0.82	1.43	50.5	54.6	5.8
45	11.0	45.6	37.4	0.82	1.43	50.5	54.2	6.3
45	11.6	45.6	37.4	0.82	1.43	50.5	53.7	6.9
45	12.6	45.6	37.4	0.82	1.43	50.5	53.0	8.0
55	6.8	44.6	36.6	0.82	1.52	49.8	69.6	2.5
55	8.4	44.7	36.7	0.82	1.49	49.8	66.9	3.6
55	9.5	44.8	36.7	0.82	1.48	49.8	65.5	4.5
55	10.5	44.8	36.7	0.82	1.47	49.8	64.5	5.4
55	11.0	44.9	36.8	0.82	1.47	49.9	64.1	5.9
55	11.6	44.9	36.8	0.82	1.47	49.9	63.6	6.5
55	12.6	44.9	36.8	0.82	1.46	49.9	62.9	7.5
68	6.8	43.1	35.8	0.83	1.73	49.0	82.4	2.4
68	8.4	43.2	35.8	0.83	1.69	49.0	79.7	3.4
68	9.5	43.3	35.9	0.83	1.67	49.0	78.3	4.3
68	10.5	43.3	35.9	0.83	1.66	49.0	77.3	5.1
68	11.0	43.3	35.9	0.83	1.65	48.9	76.9	5.5
68	11.6	43.3	35.9	0.83	1.64	48.9	76.4	6.1
68	12.6	43.4	36.0	0.83	1.64	49.0	75.8	7.0
75	6.8	41.9	35.2	0.84	1.88	48.3	89.2	2.4
75	8.4	42.1	35.4	0.84	1.84	48.4	86.5	3.4
75	9.5	42.1	35.4	0.84	1.82	48.3	85.2	4.2
75	10.5	42.2	35.4	0.84	1.80	48.3	84.2	5.0
75	11.0	42.2	35.4	0.84	1.79	48.3	83.8	5.4
75	11.6	42.2	35.4	0.84	1.79	48.3	83.3	5.9
75	12.6	42.2	35.4	0.84	1.78	48.3	82.7	6.8
86	6.8	39.9	34.3	0.86	2.17	47.3	99.9	2.4
86	8.4	40.0	34.4	0.86	2.12	47.2	97.2	3.3
86	9.5	40.1	34.5	0.86	2.09	47.2	95.9	4.1
86	10.5	40.2	34.6	0.86	2.07	47.3	95.0	4.9
86	11.0	40.2	34.6	0.86	2.07	47.2	94.6	5.3
86	11.6	40.2	34.6	0.86	2.06	47.2	94.1	5.8
86	12.6	40.2	34.6	0.86	2.05	47.2	93.5	6.7
95	6.8	38.2	33.5	0.88	2.44	46.5	108.7	2.4
95	8.4	38.3	33.6	0.88	2.38	46.4	106.0	3.3
95	9.5	38.4	33.7	0.88	2.35	46.4	104.8	4.1
95	10.5	38.4	33.7	0.88	2.33	46.4	103.8	4.8
95	11.0	38.4	33.7	0.88	2.32	46.3	103.4	5.2

Table 52. Cooling capacities 3.5 tons (gross) - EXV/H042 (continued)

EWT	GPM	Total Mbtuh	Sen Mbtuh	SHR	Comp Pwr kW	Reject Mbtuh	LWT	Feet Head
95	11.6	38.5	33.8	0.88	2.32	46.4	103.0	5.7
95	12.6	38.5	33.8	0.88	2.30	46.4	102.4	6.6
105	6.8	36.2	32.6	0.90	2.76	45.6	118.4	2.3
105	8.4	36.3	32.7	0.90	2.70	45.5	115.8	3.3
105	9.5	36.3	32.7	0.90	2.67	45.4	114.6	4.0
105	10.5	36.4	32.8	0.90	2.65	45.4	113.6	4.7
105	11.0	36.4	32.8	0.90	2.64	45.4	113.3	5.1
105	11.6	36.4	32.8	0.90	2.63	45.4	112.8	5.6
105	12.6	36.5	32.8	0.90	2.62	45.4	112.2	6.5
115	6.8	33.9	31.5	0.93	3.10	44.5	128.1	2.2
115	8.4	34.0	31.6	0.93	3.04	44.4	125.6	3.2
115	9.5	34.1	31.7	0.93	3.01	44.4	124.3	3.9
115	10.5	34.1	31.7	0.93	2.99	44.3	123.4	4.6
115	11.0	34.1	31.7	0.93	2.98	44.3	123.1	5.0
115	11.6	34.1	31.7	0.93	2.97	44.2	122.6	5.5
115	12.6	34.2	31.8	0.93	2.95	44.3	122.0	6.4

Note: Cooling performance data is tabulated at 80.6°F DB/66.2°F WB entering air at ANSI/AHRI/ASHRAE/ISO13256-1 rated cfm. For conditions other than what is tabulated, multipliers must be used to correct performance. See performance correction tables for fan correction factors for CFM other than rated and the cooling correction factors for variations in entering air temperature. Rated GPM 10.5; Minimum CFM 1064; Rated CFM 1330; Maximum CFM 1596.

Table 53. Heating capacities 3.5 tons (gross) - EXV/H042

EWT	GPM	Htg Cap Mbtuh	Absorb Mbtuh	Comp Pwr kW	LWT	Feet Head
25	6.8	24.7	18.3	1.86	19.6	3.4
25	8.4	25.1	18.7	1.87	20.5	4.9
25	9.5	25.3	18.9	1.87	21.0	6.1
25	10.5	25.5	19.1	1.87	21.4	7.2
25	11.0	25.6	19.2	1.87	21.5	7.8
25	11.6	25.6	19.2	1.87	21.7	8.5
25	12.6	25.8	19.4	1.88	21.9	9.8
32	6.8	27.5	21.0	1.90	25.8	3.1
32	8.4	28.0	21.5	1.91	26.9	4.5
32	9.5	28.3	21.8	1.91	27.4	5.5
32	10.5	28.5	22.0	1.92	27.8	6.6
32	11.0	28.6	22.1	1.92	28.0	7.1
32	11.6	28.7	22.2	1.92	28.2	7.8
32	12.6	28.8	22.3	1.92	28.5	9.0
45	6.8	33.8	27.1	1.97	37.0	2.6
45	8.4	34.6	27.8	1.98	38.4	3.9
45	9.5	35.0	28.2	1.99	39.1	4.8
45	10.5	35.2	28.4	1.99	39.6	5.8
45	11.0	35.4	28.6	1.99	39.8	6.3
45	11.6	35.5	28.7	1.99	40.1	6.9



Performance Data

Table 53. Heating capacities 3.5 tons (gross) - EXV/H042 (continued)

EWT	GPM	Htg Cap Mbtuh	Absorb Mbtuh	Comp Pwr kW	LWT	Feet Head
45	12.6	35.7	28.9	2.00	40.4	8.0
55	6.8	39.0	32.1	2.03	45.6	2.5
55	8.4	40.0	33.0	2.04	47.1	3.6
55	9.5	40.5	33.5	2.05	47.9	4.5
55	10.5	40.8	33.8	2.06	48.6	5.4
55	11.0	41.0	34.0	2.06	48.8	5.9
55	11.6	41.1	34.1	2.06	49.1	6.5
55	12.6	41.4	34.3	2.07	49.6	7.5
68	6.8	45.9	38.7	2.12	56.6	2.4
68	8.4	47.1	39.8	2.15	58.5	3.4
68	9.5	47.7	40.3	2.16	59.5	4.3
68	10.5	48.1	40.7	2.17	60.2	5.1
68	11.0	48.3	40.9	2.18	60.6	5.5
68	11.6	48.5	41.1	2.18	60.9	6.1
68	12.6	48.9	41.4	2.19	61.4	7.0
75	6.8	49.6	42.1	2.20	62.6	2.4
75	8.4	50.9	43.3	2.23	64.7	3.4
75	9.5	51.5	43.9	2.24	65.8	4.2
75	10.5	52.0	44.3	2.25	66.6	5.0
75	11.0	52.2	44.5	2.26	66.9	5.4
75	11.6	52.5	44.8	2.26	67.3	5.9
75	12.6	52.8	45.0	2.27	67.9	6.8
86	6.8	55.2	47.2	2.34	72.1	2.4
86	8.4	56.7	48.6	2.38	74.4	3.3
86	9.5	57.5	49.3	2.41	75.6	4.1
86	10.5	58.1	49.8	2.42	76.5	4.9
86	11.0	58.3	50.0	2.43	76.9	5.3
86	11.6	58.6	50.3	2.44	77.3	5.8
86	12.6	59.0	50.6	2.45	78.0	6.7

Note: Heating performance data is tabulated at 68.0°F DB at the ANSI/AHRI/ASHRAE/ISO13256-1 rated cfm. For conditions other than what is tabulated, multipliers must be used to correct performance. See performance correction tables for fan correction factors for CFM other than rated and the heating correction factors for variation in entering air temperatures. Rated GPM 10.5; Minimum CFM 1064; Rated CFM 1330; Maximum CFM 1596.

Table 54. Fan correction factors 3.5 tons — EXV/H042

Entering cfm	Cooling Capacity	Sensible Capacity	Cooling Input Watts	Heating Capacity	Heating Input Watts
1064	0.964	0.870	0.996	0.982	1.086
1131	0.974	0.904	0.997	0.988	1.060
1197	0.983	0.937	0.998	0.992	1.038
1264	0.992	0.969	0.999	0.997	1.018
1330	1.000	1.000	1.000	1.000	1.000
1463	1.015	1.061	1.001	1.006	0.970

Table 54. Fan correction factors 3.5 tons — EXV/H042 (continued)

Entering cfm	Cooling Capacity	Sensible Capacity	Cooling Input Watts	Heating Capacity	Heating Input Watts
1530	1.020	1.093	1.002	1.008	0.957
1596	1.026	1.124	1.003	1.010	0.945

Table 55. Correction factors for variation in entering air temperature 3.5 tons, EXV/H042

Cooling Entering Air WB°F	Cooling capacity	Cooling Input Watts	Sensible vs. Entering Dry Bulb Multiplier					Heating Entering Air DB°F	Heating capacity	Heating Input Watts
			65.6	70.6	75.6	80.6	85.6			
49.4	0.896	0.993	0.926	0.992	1.047	*	*	53.0	1.035	0.851
56.3	0.896	0.993	0.811	0.948	1.047	*	*	58.0	1.025	0.897
60.3	0.913	0.994	0.657	0.855	0.997	1.103	*	63.0	1.013	0.947
63.2	0.954	0.996	0.503	0.750	0.930	1.064	*	68.0	1.000	1.000
66.2	1.000	1.000	–	0.608	0.832	1.000	1.130	73.0	0.986	1.057
72.1	1.115	1.013	–	–	0.548	0.795	0.986	78.0	0.971	1.117
77.1	1.203	1.030	–	–	–	–	0.789	83.0	0.955	1.180

Note: * = Sensible equals total capacity

Cooling and Heating Capacities 4 tons

Table 56. Cooling capacities 4 tons (gross) - EXV/H048

EWT	GPM	Total Mbtuh	Sen Mbtuh	SHR	Comp Pwr kW	Reject Mbtuh	LWT	Feet Head
45	7.8	52.9	42.9	0.81	1.70	58.7	60.1	3.3
45	9.6	52.9	42.9	0.81	1.67	58.6	57.2	4.9
45	10.8	52.9	42.9	0.81	1.66	58.6	55.9	6.0
45	12.0	52.9	42.9	0.81	1.65	58.5	54.8	7.3
45	12.6	52.9	42.9	0.81	1.65	58.5	54.3	8.0
45	13.2	52.9	42.9	0.81	1.65	58.5	53.9	8.7
45	14.4	52.9	42.9	0.81	1.65	58.5	53.1	10.2
55	7.8	51.7	42.1	0.81	1.84	58.0	69.9	3.1
55	9.6	51.8	42.2	0.81	1.80	57.9	67.1	4.5
55	10.8	51.8	42.2	0.81	1.78	57.9	65.7	5.6
55	12.0	51.9	42.3	0.82	1.77	57.9	64.7	6.7
55	12.6	51.9	42.3	0.82	1.76	57.9	64.2	7.3
55	13.2	51.9	42.3	0.82	1.76	57.9	63.8	8.0
55	14.4	51.9	42.3	0.82	1.75	57.9	63.0	9.4
68	7.8	49.8	41.1	0.83	2.12	57.0	82.6	2.9
68	9.6	49.9	41.2	0.83	2.07	56.9	79.9	4.2
68	10.8	50.0	41.2	0.82	2.04	57.0	78.6	5.2
68	12.0	50.0	41.2	0.82	2.02	56.9	77.5	6.2
68	12.6	50.0	41.2	0.82	2.01	56.8	77.0	6.8
68	13.2	50.1	41.3	0.82	2.00	56.9	76.6	7.4
68	14.4	50.1	41.3	0.82	1.99	56.9	75.9	8.6
75	7.8	48.5	40.4	0.83	2.31	56.4	89.5	2.9
75	9.6	48.7	40.6	0.83	2.25	56.4	86.8	4.1



Performance Data

Table 56. Cooling capacities 4 tons (gross) - EXV/H048 (continued)

EWT	GPM	Total Mbtuh	Sen Mbtuh	SHR	Comp Pwr kW	Reject Mbtuh	LWT	Feet Head
75	10.8	48.8	40.7	0.83	2.22	56.4	85.4	5.0
75	12.0	48.8	40.7	0.83	2.19	56.3	84.4	6.0
75	12.6	48.9	40.8	0.83	2.18	56.3	83.9	6.6
75	13.2	48.9	40.8	0.83	2.17	56.3	83.5	7.2
75	14.4	48.9	40.8	0.83	2.16	56.3	82.8	8.4
86	7.8	46.3	39.4	0.85	2.66	55.4	100.2	2.8
86	9.6	46.5	39.6	0.85	2.59	55.3	97.5	4.0
86	10.8	46.6	39.7	0.85	2.55	55.3	96.2	4.9
86	12.0	46.7	39.8	0.85	2.53	55.3	95.2	5.9
86	12.6	46.7	39.8	0.85	2.51	55.3	94.8	6.4
86	13.2	46.7	39.8	0.85	2.50	55.2	94.4	6.9
86	14.4	46.8	39.9	0.85	2.49	55.3	93.7	8.0
95	7.8	44.3	38.5	0.87	2.98	54.5	109.0	2.8
95	9.6	44.5	38.7	0.87	2.90	54.4	106.3	4.0
95	10.8	44.6	38.7	0.87	2.87	54.4	105.1	4.8
95	12.0	44.7	38.8	0.87	2.84	54.4	104.1	5.7
95	12.6	44.7	38.8	0.87	2.83	54.3	103.6	6.2
95	13.2	44.7	38.8	0.87	2.82	54.3	103.2	6.8
95	14.4	44.8	38.9	0.87	2.80	54.3	102.5	7.9
105	7.8	41.8	37.3	0.89	3.36	53.3	118.7	2.7
105	9.6	42.0	37.5	0.89	3.29	53.2	116.1	3.9
105	10.8	42.1	37.5	0.89	3.25	53.2	114.9	4.7
105	12.0	42.2	37.6	0.89	3.23	53.2	113.9	5.6
105	12.6	42.2	37.6	0.89	3.21	53.2	113.4	6.1
105	13.2	42.3	37.7	0.89	3.20	53.2	113.1	6.6
105	14.4	42.3	37.7	0.89	3.18	53.2	112.4	7.7
115	7.8	39.0	35.9	0.92	3.77	51.9	128.3	2.6
115	9.6	39.3	36.2	0.92	3.70	51.9	125.8	3.7
115	10.8	39.4	36.3	0.92	3.67	51.9	124.6	4.6
115	12.0	39.5	36.4	0.92	3.64	51.9	123.7	5.5
115	12.6	39.5	36.4	0.92	3.63	51.9	123.2	6.0
115	13.2	39.6	36.5	0.92	3.62	52.0	122.9	6.5
115	14.4	39.6	36.5	0.92	3.60	51.9	122.2	7.5

Note: Cooling performance data is tabulated at 80.6°F DB/66.2°F WB entering air at ANSI/AHRI/ASHRAE/ISO13256-1 rated cfm. For conditions other than what is tabulated, multipliers must be used to correct performance. See performance correction tables for fan correction factors for CFM other than rated and the cooling correction factors for variations in entering air temperature. Rated GPM 12; Minimum CFM 1216; Rated CFM 1520; Maximum CFM 1824.

Table 57. Heating capacities 4 tons (gross) -EXV/H048

EWT	GPM	Htg Cap Mbtuh	Absorb Mbtuh	Comp Pwr kW	LWT	Feet Head
25	7.8	29.2	21.7	2.19	19.4	4.3
25	9.6	29.8	22.3	2.20	20.4	6.2
25	10.8	30.0	22.5	2.21	20.8	7.6

Table 57. Heating capacities 4 tons (gross) -EXV/H048 (continued)

EWT	GPM	Htg Cap Mbtuh	Absorb Mbtuh	Comp Pwr kW	LWT	Feet Head
25	12.0	30.2	22.7	2.21	21.2	9.1
25	12.6	30.3	22.8	2.21	21.4	9.9
25	13.2	30.4	22.9	2.21	21.5	10.7
25	14.4	30.6	23.1	2.21	21.8	12.5
32	7.8	32.6	24.9	2.26	25.6	3.9
32	9.6	33.3	25.6	2.27	26.7	5.6
32	10.8	33.6	25.9	2.27	27.2	6.9
32	12.0	33.9	26.1	2.28	27.7	8.4
32	12.6	34.0	26.2	2.28	27.8	9.1
32	13.2	34.1	26.3	2.28	28.0	9.9
32	14.4	34.3	26.5	2.28	28.3	11.5
45	7.8	39.5	31.5	2.34	36.9	3.3
45	9.6	40.4	32.4	2.35	38.3	4.9
45	10.8	40.8	32.7	2.36	38.9	6.0
45	12.0	41.2	33.1	2.37	39.5	7.3
45	12.6	41.3	33.2	2.37	39.7	8.0
45	13.2	41.5	33.4	2.37	39.9	8.7
45	14.4	41.7	33.6	2.38	40.3	10.2
55	7.8	45.1	36.9	2.40	45.5	3.1
55	9.6	46.2	37.9	2.42	47.1	4.5
55	10.8	46.7	38.4	2.43	47.9	5.6
55	12.0	47.2	38.9	2.44	48.5	6.7
55	12.6	47.4	39.0	2.45	48.8	7.3
55	13.2	47.5	39.1	2.45	49.1	8.0
55	14.4	47.9	39.5	2.46	49.5	9.4
68	7.8	52.8	44.2	2.52	56.7	2.9
68	9.6	54.2	45.5	2.56	58.5	4.2
68	10.8	54.8	46.0	2.58	59.5	5.2
68	12.0	55.4	46.5	2.60	60.3	6.2
68	12.6	55.6	46.7	2.61	60.6	6.8
68	13.2	55.9	47.0	2.62	60.9	7.4
68	14.4	56.3	47.3	2.63	61.4	8.6
75	7.8	57.1	48.1	2.63	62.7	2.9
75	9.6	58.6	49.4	2.68	64.7	4.1
75	10.8	59.4	50.2	2.71	65.7	5.0
75	12.0	60.0	50.7	2.73	66.6	6.0
75	12.6	60.2	50.8	2.74	66.9	6.6
75	13.2	60.5	51.1	2.75	67.3	7.2
75	14.4	60.9	51.5	2.77	67.8	8.4
86	7.8	63.9	54.0	2.89	72.2	2.8
86	9.6	65.7	55.6	2.96	74.4	4.0



Performance Data

Table 57. Heating capacities 4 tons (gross) -EXV/H048 (continued)

EWT	GPM	Htg Cap Mbtuh	Absorb Mbtuh	Comp Pwr kW	LWT	Feet Head
86	10.8	66.6	56.4	3.00	75.6	4.9
86	12.0	67.3	57.0	3.03	76.5	5.9
86	12.6	67.6	57.2	3.05	76.9	6.4
86	13.2	67.9	57.5	3.06	77.3	6.9
86	14.4	68.4	57.9	3.08	78.0	8.0

Note: Heating performance data is tabulated at 68.0°F DB at the ANSI/AHRI/ASHRAE/ISO13256-1 rated cfm. For conditions other than what is tabulated, multipliers must be used to correct performance. See performance correction tables for fan correction factors for CFM other than rated and the heating correction factors for variation in entering air temperatures. Rated GPM 12; Minimum CFM 1216; Rated CFM 1520; Maximum CFM 1824.

Table 58. Fan correction factors 4 tons - EXV/H048

Entering cfm	Cooling Capacity	Sensible Capacity	Cooling Input Watts	Heating Capacity	Heating Input Watts
1216	0.964	0.872	0.992	0.983	1.092
1292	0.974	0.905	0.995	0.988	1.065
1368	0.983	0.937	0.996	0.993	1.041
1444	0.992	0.969	0.998	0.997	1.019
1520	1.000	1.000	1.000	1.000	1.000
1672	1.015	1.062	1.003	1.005	0.967
1748	1.021	1.094	1.005	1.008	0.953
1824	1.028	1.125	1.006	1.010	0.940

Table 59. Correction factors for variation in entering air temperature 4 tons, EXV/H048

Cooling Entering Air WB°F	Cooling capacity	Cooling Input Watts	Sensible vs. Entering Dry Bulb Multiplier					Heating Entering Air DB°F	Heating capacity	Heating Input Watts
			65.6	70.6	75.6	80.6	85.6			
49.4	0.903	0.986	0.938	1.009	1.068	*	*	53.0	1.033	0.833
56.3	0.903	0.986	0.813	0.954	1.058	*	*	58.0	1.023	0.886
60.3	0.919	0.988	0.656	0.855	1.001	1.112	*	63.0	1.012	0.942
63.2	0.958	0.993	0.502	0.748	0.930	1.069	*	68.0	1.000	1.000
66.2	1.000	1.000	–	0.605	0.829	1.000	1.134	73.0	0.987	1.061
72.1	1.104	1.025	–	–	0.545	0.789	0.982	78.0	0.972	1.125
77.1	1.197	1.058	–	–	–	–	0.782	83.0	0.957	1.190

Note: * = Sensible equals total capacity

Table 60. Cooling capacities 4 tons (gross) -DXV/H048

EWT	GPM	Total Mbtuh	Sen Mbtuh	SHR	Comp Pwr kW	Reject Mbtuh	LWT	Feet Head
45	7.8	53.2	43.0	0.81	1.68	58.9	60.1	3.4
45	9.6	53.4	43.2	0.81	1.62	58.9	57.3	5.0
45	10.8	53.5	43.3	0.81	1.59	58.9	55.9	6.2
45	12.0	53.6	43.4	0.81	1.57	59.0	54.8	7.5
45	12.6	53.6	43.4	0.81	1.56	58.9	54.3	8.2
45	13.2	53.7	43.5	0.81	1.55	59.0	53.9	8.9
45	14.4	53.7	43.5	0.81	1.54	58.9	53.2	10.4
55	7.8	51.5	42.0	0.82	1.88	57.9	69.8	3.2
55	9.6	51.7	42.2	0.82	1.82	57.9	67.1	4.7

Table 60. Cooling capacities 4 tons (gross) -DXV/H048 (continued)

EWT	GPM	Total Mbtuh	Sen Mbtuh	SHR	Comp Pwr kW	Reject Mbtuh	LWT	Feet Head
55	10.8	51.8	42.3	0.82	1.79	57.9	65.7	5.8
55	12.0	51.9	42.3	0.82	1.77	57.9	64.7	7.0
55	12.6	51.9	42.3	0.82	1.76	57.9	64.2	7.7
55	13.2	52.0	42.4	0.82	1.75	58.0	63.8	8.3
55	14.4	52.0	42.4	0.82	1.74	57.9	63.0	9.7
68	7.8	49.0	40.7	0.83	2.14	56.3	82.4	3.1
68	9.6	49.2	40.9	0.83	2.08	56.3	79.7	4.5
68	10.8	49.3	41.0	0.83	2.06	56.3	78.4	5.5
68	12.0	49.4	41.0	0.83	2.03	56.3	77.4	6.6
68	12.6	49.4	41.0	0.83	2.02	56.3	76.9	7.2
68	13.2	49.5	41.1	0.83	2.02	56.4	76.5	7.9
68	14.4	49.5	41.1	0.83	2.00	56.3	75.8	9.2
75	7.8	47.8	40.2	0.84	2.29	55.6	89.3	3.1
75	9.6	48.1	40.4	0.84	2.23	55.7	86.6	4.4
75	10.8	48.2	40.5	0.84	2.20	55.7	85.3	5.4
75	12.0	48.3	40.6	0.84	2.18	55.7	84.3	6.5
75	12.6	48.3	40.6	0.84	2.17	55.7	83.8	7.1
75	13.2	48.3	40.6	0.84	2.16	55.7	83.4	7.7
75	14.4	48.4	40.7	0.84	2.15	55.7	82.7	9.0
86	7.8	46.0	39.4	0.86	2.57	54.8	100.1	3.1
86	9.6	46.2	39.6	0.86	2.51	54.8	97.4	4.4
86	10.8	46.3	39.7	0.86	2.49	54.8	96.1	5.3
86	12.0	46.4	39.8	0.86	2.46	54.8	95.1	6.4
86	12.6	46.4	39.8	0.86	2.45	54.8	94.7	6.9
86	13.2	46.5	39.9	0.86	2.45	54.8	94.3	7.5
86	14.4	46.5	39.9	0.86	2.43	54.8	93.6	8.8
95	7.8	44.2	38.6	0.87	2.85	53.9	108.8	3.1
95	9.6	44.5	38.9	0.87	2.79	54.0	106.3	4.3
95	10.8	44.6	38.9	0.87	2.76	54.0	105.0	5.3
95	12.0	44.6	38.9	0.87	2.74	54.0	104.0	6.3
95	12.6	44.7	39.0	0.87	2.73	54.0	103.6	6.9
95	13.2	44.7	39.0	0.87	2.72	54.0	103.2	7.4
95	14.4	44.8	39.1	0.87	2.71	54.0	102.5	8.6
105	7.8	42.0	37.6	0.90	3.20	52.9	118.6	3.0
105	9.6	42.2	37.7	0.89	3.14	52.9	116.0	4.3
105	10.8	42.3	37.8	0.89	3.11	52.9	114.8	5.2
105	12.0	42.4	37.9	0.89	3.09	52.9	113.8	6.2
105	12.6	42.5	38.0	0.89	3.08	53.0	113.4	6.8
105	13.2	42.5	38.0	0.89	3.07	53.0	113.0	7.3
105	14.4	42.5	38.0	0.89	3.06	52.9	112.3	8.5
115	7.8	39.6	36.5	0.92	3.56	51.8	128.3	2.9



Performance Data

Table 60. Cooling capacities 4 tons (gross) -DXV/H048 (continued)

EWT	GPM	Total Mbtuh	Sen Mbtuh	SHR	Comp Pwr kW	Reject Mbtuh	LWT	Feet Head
115	9.6	39.8	36.6	0.92	3.50	51.8	125.8	4.1
115	10.8	39.9	36.7	0.92	3.48	51.8	124.6	5.1
115	12.0	40.0	36.8	0.92	3.45	51.8	123.6	6.1
115	12.6	40.0	36.8	0.92	3.45	51.8	123.2	6.6
115	13.2	40.1	36.9	0.92	3.44	51.8	122.8	7.2
115	14.4	40.1	36.9	0.92	3.42	51.8	122.2	8.4

Note: Cooling performance data is tabulated at 80.6°F DB/66.2°F WB entering air at ANSI/AHR/ASHRAE/ISO13256-1 rated cfm. For conditions other than what is tabulated, multipliers must be used to correct performance. See performance correction tables for fan correction factors for CFM other than rated and the cooling correction factors for variations in entering air temperature. Rated GPM 12; Minimum CFM 1216; Rated CFM 1520; Maximum CFM 1824.

Table 61. Heating capacities 4 tons (gross) -DXV/H048

EWT	GPM	Htg Cap Mbtuh	Absorb Mbtuh	Comp Pwr kW	LWT	Feet Head
25	7.8	29.2	21.7	2.19	19.4	4.3
25	9.6	29.8	22.3	2.20	20.4	6.2
25	10.8	30.0	22.5	2.21	20.8	7.6
25	12.0	30.2	22.7	2.21	21.2	9.1
25	12.6	30.3	22.8	2.21	21.4	9.9
25	13.2	30.4	22.9	2.21	21.5	10.7
25	14.4	30.6	23.1	2.21	21.8	12.5
32	7.8	32.6	24.9	2.26	25.6	3.9
32	9.6	33.3	25.6	2.27	26.7	5.6
32	10.8	33.6	25.9	2.27	27.2	6.9
32	12.0	33.9	26.1	2.28	27.7	8.4
32	12.6	34.0	26.2	2.28	27.8	9.1
32	13.2	34.1	26.3	2.28	28.0	9.9
32	14.4	34.3	26.5	2.28	28.3	11.5
45	7.8	39.5	31.5	2.34	36.9	3.3
45	9.6	40.4	32.4	2.35	38.3	4.9
45	10.8	40.8	32.7	2.36	38.9	6.0
45	12.0	41.2	33.1	2.37	39.5	7.3
45	12.6	41.3	33.2	2.37	39.7	8.0
45	13.2	41.5	33.4	2.37	39.9	8.7
45	14.4	41.7	33.6	2.38	40.3	10.2
55	7.8	45.1	36.9	2.40	45.5	3.1
55	9.6	46.2	37.9	2.42	47.1	4.5
55	10.8	46.7	38.4	2.43	47.9	5.6
55	12.0	47.2	38.9	2.44	48.5	6.7
55	12.6	47.4	39.0	2.45	48.8	7.3
55	13.2	47.5	39.1	2.45	49.1	8.0
55	14.4	47.9	39.5	2.46	49.5	9.4
68	7.8	52.8	44.2	2.52	56.7	2.9
68	9.6	54.2	45.5	2.56	58.5	4.2
68	10.8	54.8	46.0	2.58	59.5	5.2

Table 61. Heating capacities 4 tons (gross) -DXV/H048 (continued)

EWT	GPM	Htg Cap Mbtuh	Absorb Mbtuh	Comp Pwr kW	LWT	Feet Head
68	12.0	55.4	46.5	2.60	60.3	6.2
68	12.6	55.6	46.7	2.61	60.6	6.8
68	13.2	55.9	47.0	2.62	60.9	7.4
68	14.4	56.3	47.3	2.63	61.4	8.6
75	7.8	57.1	48.1	2.63	62.7	2.9
75	9.6	58.6	49.4	2.68	64.7	4.1
75	10.8	59.4	50.2	2.71	65.7	5.0
75	12.0	60.0	50.7	2.73	66.6	6.0
75	12.6	60.2	50.8	2.74	66.9	6.6
75	13.2	60.5	51.1	2.75	67.3	7.2
75	14.4	60.9	51.5	2.77	67.8	8.4
86	7.8	63.9	54.0	2.89	72.2	2.8
86	9.6	65.7	55.6	2.96	74.4	4.0
86	10.8	66.6	56.4	3.00	75.6	4.9
86	12.0	67.3	57.0	3.03	76.5	5.9
86	12.6	67.6	57.2	3.05	76.9	6.4
86	13.2	67.9	57.5	3.06	77.3	6.9
86	14.4	68.4	57.9	3.08	78.0	8.0

Note: Heating performance data is tabulated at 68.0°F DB at the ANSI/AHRI/ASHRAE/ISO13256-1 rated cfm. For conditions other than what is tabulated, multipliers must be used to correct performance. See performance correction tables for fan correction factors for CFM other than rated and the heating correction factors for variation in entering air temperatures. Rated GPM 12; Minimum CFM 1216; Rated CFM 1520; Maximum CFM 1824.

Table 62. Fan correction factors 4 tons - DXV/H048

Entering cfm	Cooling Capacity	Sensible Capacity	Cooling Input Watts	Heating Capacity	Heating Input Watts
1216	0.962	0.872	0.996	0.996	1.078
1292	0.972	0.905	0.997	0.997	1.055
1368	0.982	0.937	0.998	0.998	1.034
1444	0.991	0.969	0.999	0.999	1.016
1520	1.000	1.000	1.000	1.000	1.000
1672	1.015	1.062	1.002	1.002	0.972
1748	1.022	1.094	1.002	1.002	0.961
1824	1.029	1.125	1.003	1.003	0.950

Table 63. Correction factors for variation in entering air temperature 4 tons, DXV/H048

Cooling Entering Air WB°F	Cooling capacity	Cooling Input Watts	Sensible vs. Entering Dry Bulb Multiplier					Heating Entering Air DB°F	Heating capacity	Heating Input Watts
			65.0	70.0	75.0	80.0	85.0			
49.4	0.900	0.999	0.930	0.998	1.048	*	*	53.0	1.046	0.860
56.3	0.900	0.998	0.807	0.951	1.052	*	*	58.0	1.031	0.905
60.3	0.916	0.999	0.653	0.854	0.999	1.107	*	63.0	1.016	0.951
63.2	0.956	0.999	0.502	0.748	0.930	1.067	*	68.0	1.000	1.000
66.2	1.000	1.000	—	0.606	0.831	1.000	1.132	73.0	0.984	1.052
72.1	1.112	1.003	—	—	0.549	0.793	0.984	78.0	0.968	1.106
77.1	1.213	1.007	—	—	—	—	0.787	83.0	0.951	1.163

Note: * = Sensible equals total capacity



Performance Data

Cooling and Heating Capacities 5 tons

Table 64. Cooling capacities 5 tons (gross) -EXV/H060

EWT	GPM	Total Mbtuh	Sen Mbtuh	SHR	Comp Pwr kW	Reject Mbtuh	LWT	Feet Head
45	9.8	63.6	52.8	0.83	2.05	70.6	59.4	6.3
45	12.0	63.5	52.7	0.83	2.04	70.5	56.8	9.1
45	13.5	63.5	52.7	0.83	2.04	70.4	55.4	11.3
45	15.0	63.4	52.6	0.83	2.03	70.3	54.4	13.6
45	15.8	63.4	52.6	0.83	2.03	70.3	53.9	15.0
45	16.5	63.4	52.6	0.83	2.03	70.3	53.5	16.2
45	18.0	63.4	52.6	0.83	2.03	70.3	52.8	18.9
55	9.8	62.3	52.0	0.83	2.18	69.7	69.2	5.7
55	12.0	62.3	52.0	0.83	2.14	69.6	66.6	8.3
55	13.5	62.3	52.0	0.83	2.13	69.6	65.3	10.3
55	15.0	62.3	52.0	0.83	2.12	69.5	64.3	12.4
55	15.8	62.3	52.0	0.83	2.12	69.5	63.8	13.6
55	16.5	62.3	52.0	0.83	2.11	69.5	63.4	14.7
55	18.0	62.4	52.1	0.83	2.11	69.6	62.7	17.2
68	9.8	60.4	50.8	0.84	2.48	68.9	82.1	5.4
68	12.0	60.5	50.8	0.84	2.43	68.8	79.5	7.7
68	13.5	60.5	50.8	0.84	2.41	68.7	78.2	9.4
68	15.0	60.6	50.9	0.84	2.39	68.7	77.2	11.4
68	15.8	60.6	50.9	0.84	2.38	68.7	76.7	12.5
68	16.5	60.6	50.9	0.84	2.37	68.7	76.3	13.5
68	18.0	60.6	50.9	0.84	2.36	68.6	75.6	15.7
75	9.8	59.2	50.2	0.85	2.70	68.4	89.0	5.3
75	12.0	59.3	50.3	0.85	2.64	68.3	86.4	7.5
75	13.5	59.4	50.4	0.85	2.62	68.3	85.1	9.1
75	15.0	59.4	50.4	0.85	2.59	68.2	84.1	11.0
75	15.8	59.4	50.4	0.85	2.58	68.2	83.6	12.0
75	16.5	59.4	50.4	0.85	2.57	68.2	83.3	13.0
75	18.0	59.5	50.5	0.85	2.56	68.2	82.6	15.2
86	9.8	56.9	49.1	0.86	3.12	67.5	99.8	5.2
86	12.0	57.1	49.3	0.86	3.05	67.5	97.3	7.2
86	13.5	57.2	49.4	0.86	3.01	67.5	96.0	8.8
86	15.0	57.3	49.5	0.86	2.98	67.5	95.0	10.6
86	15.8	57.3	49.5	0.86	2.97	67.4	94.5	11.6
86	16.5	57.3	49.5	0.86	2.96	67.4	94.2	12.5
86	18.0	57.4	49.6	0.86	2.94	67.4	93.5	14.5
95	9.8	54.8	48.1	0.88	3.50	66.7	108.6	5.1
95	12.0	55.0	48.3	0.88	3.42	66.7	106.1	7.1
95	13.5	55.1	48.4	0.88	3.39	66.7	104.9	8.7
95	15.0	55.2	48.5	0.88	3.36	66.7	103.9	10.3
95	15.8	55.2	48.5	0.88	3.34	66.6	103.4	11.3
95	16.5	55.2	48.5	0.88	3.33	66.6	103.1	12.2
95	18.0	55.3	48.6	0.88	3.31	66.6	102.4	14.1

Table 64. Cooling capacities 5 tons (gross) -EXV/H060 (continued)

EWT	GPM	Total Mbtuh	Sen Mbtuh	SHR	Comp Pwr kW	Reject Mbtuh	LWT	Feet Head
105	9.8	52.0	46.7	0.90	3.96	65.5	118.4	5.0
105	12.0	52.3	47.0	0.90	3.88	65.5	115.9	7.0
105	13.5	52.4	47.1	0.90	3.84	65.5	114.7	8.5
105	15.0	52.5	47.2	0.90	3.81	65.5	113.7	10.1
105	15.8	52.5	47.2	0.90	3.79	65.4	113.3	11.0
105	16.5	52.6	47.2	0.90	3.78	65.5	112.9	11.9
105	18.0	52.6	47.2	0.90	3.76	65.4	112.3	13.8
115	9.8	48.8	45.2	0.93	4.43	63.9	128.0	4.7
115	12.0	49.1	45.5	0.93	4.35	64.0	125.7	6.7
115	13.5	49.2	45.6	0.93	4.31	63.9	124.5	8.2
115	15.0	49.3	45.7	0.93	4.28	63.9	123.5	9.8
115	15.8	49.4	45.8	0.93	4.27	64.0	123.1	10.8
115	16.5	49.4	45.8	0.93	4.26	63.9	122.7	11.6
115	18.0	49.5	45.9	0.93	4.24	64.0	122.1	13.5

Note: Cooling performance data is tabulated at 80.6°F DB/66.2°F WB entering air at ANSI/AHRI/ASHRAE/ISO13256-1 rated cfm. For conditions other than what is tabulated, multipliers must be used to correct performance. See performance correction tables for fan correction factors for CFM other than rated and the cooling correction factors for variations in entering air temperature. Rated GPM 15; Minimum CFM 1520; Rated CFM 1900; Maximum CFM 2280.

Table 65. Heating capacities 5 tons (gross) -EXV/H060

EWT	GPM	Htg Cap Mbtuh	Absorb Mbtuh	Comp Pwr kW	LWT	Feet Head
25	9.8	36.0	27.0	2.65	19.5	8.4
25	12.0	36.6	27.5	2.66	20.4	11.9
25	13.5	36.9	27.8	2.66	20.9	14.6
25	15.0	37.2	28.1	2.67	21.3	17.4
25	15.8	37.3	28.2	2.67	21.4	19.0
25	16.5	37.4	28.3	2.67	21.6	20.5
25	18.0	37.6	28.5	2.67	21.8	23.7
32	9.8	40.2	30.9	2.71	25.7	7.4
32	12.0	41.0	31.7	2.72	26.7	10.7
32	13.5	41.4	32.1	2.73	27.2	13.2
32	15.0	41.7	32.4	2.73	27.7	15.9
32	15.8	41.9	32.6	2.74	27.9	17.4
32	16.5	42.0	32.7	2.74	28.0	18.7
32	18.0	42.2	32.9	2.74	28.3	21.8
45	9.8	48.9	39.2	2.83	37.0	6.3
45	12.0	50.0	40.3	2.85	38.3	9.1
45	13.5	50.5	40.8	2.86	39.0	11.3
45	15.0	51.0	41.2	2.86	39.5	13.6
45	15.8	51.2	41.4	2.86	39.8	15.0
45	16.5	51.3	41.5	2.87	40.0	16.2
45	18.0	51.6	41.8	2.87	40.4	18.9
55	9.8	56.0	46.0	2.93	45.6	5.7
55	12.0	57.3	47.2	2.95	47.1	8.3



Performance Data

Table 65. Heating capacities 5 tons (gross) -EXV/H060 (continued)

EWT	GPM	Htg Cap Mbtuh	Absorb Mbtuh	Comp Pwr kW	LWT	Feet Head
55	13.5	57.9	47.8	2.96	47.9	10.3
55	15.0	58.5	48.4	2.97	48.5	12.4
55	15.8	58.7	48.6	2.97	48.8	13.6
55	16.5	58.9	48.7	2.98	49.1	14.7
55	18.0	59.3	49.1	2.98	49.5	17.2
68	9.8	65.4	54.9	3.08	56.8	5.4
68	12.0	67.0	56.4	3.10	58.6	7.7
68	13.5	67.8	57.2	3.12	59.5	9.4
68	15.0	68.4	57.7	3.13	60.3	11.4
68	15.8	68.8	58.1	3.13	60.6	12.5
68	16.5	69.0	58.3	3.14	60.9	13.5
68	18.0	69.5	58.8	3.15	61.5	15.7
75	9.8	70.5	59.7	3.16	62.8	5.3
75	12.0	72.2	61.3	3.19	64.8	7.5
75	13.5	73.1	62.1	3.21	65.8	9.1
75	15.0	73.8	62.8	3.22	66.6	11.0
75	15.8	74.2	63.2	3.23	67.0	12.0
75	16.5	74.4	63.4	3.24	67.3	13.0
75	18.0	75.0	63.9	3.24	67.9	15.2
86	9.8	78.4	67.1	3.32	72.3	5.2
86	12.0	80.4	68.9	3.36	74.5	7.2
86	13.5	81.4	69.9	3.38	75.6	8.8
86	15.0	82.2	70.6	3.39	76.6	10.6
86	15.8	82.6	71.0	3.40	77.0	11.6
86	16.5	82.9	71.3	3.41	77.4	12.5
86	18.0	83.5	71.8	3.42	78.0	14.5

Note: Heating performance data is tabulated at 68.0°F DB at the ANSI/AHRI/ASHRAE/ISO13256-1 rated cfm. For conditions other than what is tabulated, multipliers must be used to correct performance. See performance correction tables for fan correction factors for CFM other than rated and the heating correction factors for variation in entering air temperatures. Rated GPM 15; Minimum CFM 1520; Rated CFM 1900; Maximum CFM 2280.

Table 66. Fan correction factors 5 tons - EXV/H060

Entering cfm	Cooling Capacity	Sensible Capacity	Cooling Input Watts	Heating Capacity	Heating Input Watts
1520	0.963	0.871	1.000	0.984	1.084
1615	0.974	0.903	1.000	0.989	1.059
1710	0.983	0.936	1.000	0.993	1.037
1805	0.992	0.969	1.000	0.997	1.017
1900	1.000	1.000	1.000	1.000	1.000
2090	1.015	1.062	1.000	1.005	0.971
2185	1.021	1.093	1.000	1.007	0.958
2280	1.027	1.125	1.000	1.009	0.947

Table 67. Correction factors for variation in entering air temperature 5 tons, EXV/H060

Cooling Entering Air WB°F	Cooling capacity	Cooling Input Watts	Sensible vs. Entering Dry Bulb Multiplier					Heating Entering Air DB°F	Heating capacity	Heating Input Watts
			65.6	70.6	75.6	80.6	85.6			
49.4	0.900	0.999	0.923	0.993	1.055	*	*	53.0	1.034	0.853
56.3	0.900	0.999	0.811	0.947	1.048	*	*	58.0	1.024	0.898
60.3	0.915	0.999	0.657	0.853	0.996	1.105	*	63.0	1.012	0.947
63.2	0.955	0.999	0.502	0.749	0.929	1.065	*	68.0	1.000	1.000
66.2	1.000	1.000	–	0.608	0.831	1.000	1.133	73.0	0.986	1.057
72.1	1.109	1.003	–	–	0.550	0.795	0.988	78.0	0.972	1.117
77.1	1.206	1.007	–	–	–	–	0.791	83.0	0.957	1.180

Note: * = Sensible equals total capacity

Table 68. Cooling capacities 5 tons (gross) -DXV/H060

EWT	GPM	Total Mbtuh	Sen Mbtuh	SHR	Comp Pwr kW	Reject Mbtuh	LWT	Feet Head
45	9.8	58.8	50.7	0.86	1.84	65.1	58.3	6.6
45	12.0	58.9	50.8	0.86	1.77	64.9	55.8	9.5
45	13.5	58.9	50.8	0.86	1.74	64.8	54.6	11.8
45	15.0	59.0	50.9	0.86	1.71	64.8	53.6	14.2
45	15.8	59.0	50.9	0.86	1.70	64.8	53.2	15.6
45	16.5	59.0	50.9	0.86	1.69	64.8	52.9	16.9
45	18.0	59.0	50.9	0.86	1.68	64.7	52.2	19.7
55	9.8	57.7	50.0	0.87	2.09	64.8	68.2	6.0
55	12.0	57.8	50.1	0.87	2.02	64.7	65.8	8.7
55	13.5	57.8	50.1	0.87	1.99	64.6	64.6	10.8
55	15.0	57.8	50.1	0.87	1.97	64.5	63.6	13.1
55	15.8	57.8	50.1	0.87	1.96	64.5	63.2	14.3
55	16.5	57.9	50.2	0.87	1.95	64.5	62.8	15.5
55	18.0	57.9	50.2	0.87	1.93	64.5	62.2	18.1
68	9.8	56.2	49.1	0.87	2.43	64.5	81.2	5.7
68	12.0	56.3	49.2	0.87	2.36	64.4	78.7	8.1
68	13.5	56.3	49.2	0.87	2.33	64.3	77.5	10.0
68	15.0	56.3	49.2	0.87	2.31	64.2	76.6	12.0
68	15.8	56.4	49.3	0.87	2.30	64.2	76.1	13.2
68	16.5	56.4	49.3	0.87	2.29	64.2	75.8	14.3
68	18.0	56.4	49.3	0.87	2.27	64.1	75.1	16.6
75	9.8	55.2	48.7	0.88	2.62	64.1	88.1	5.6
75	12.0	55.3	48.7	0.88	2.55	64.0	85.7	7.9
75	13.5	55.3	48.7	0.88	2.52	63.9	84.5	9.7
75	15.0	55.4	48.8	0.88	2.50	63.9	83.5	11.6
75	15.8	55.4	48.8	0.88	2.48	63.9	83.1	12.8
75	16.5	55.4	48.8	0.88	2.48	63.8	82.7	13.8
75	18.0	55.4	48.8	0.88	2.46	63.8	82.1	16.1
86	9.8	53.2	47.8	0.90	2.96	63.3	98.9	5.5
86	12.0	53.3	47.9	0.90	2.89	63.2	96.5	7.7



Performance Data

Table 68. Cooling capacities 5 tons (gross) -DXV/H060 (continued)

EWT	GPM	Total Mbtuh	Sen Mbtuh	SHR	Comp Pwr kW	Reject Mbtuh	LWT	Feet Head
86	13.5	53.3	47.9	0.90	2.86	63.1	95.3	9.4
86	15.0	53.3	47.9	0.90	2.83	63.0	94.4	11.2
86	15.8	53.4	48.0	0.90	2.82	63.0	94.0	12.3
86	16.5	53.4	48.0	0.90	2.81	63.0	93.6	13.2
86	18.0	53.4	48.0	0.90	2.80	62.9	93.0	15.4
95	9.8	51.1	46.9	0.92	3.29	62.3	107.7	5.4
95	12.0	51.2	47.0	0.92	3.22	62.2	105.4	7.5
95	13.5	51.2	47.0	0.92	3.19	62.1	104.2	9.2
95	15.0	51.3	47.0	0.92	3.16	62.1	103.3	11.0
95	15.8	51.3	47.0	0.92	3.15	62.1	102.9	12.0
95	16.5	51.3	47.0	0.92	3.14	62.0	102.5	12.9
95	18.0	51.3	47.0	0.92	3.13	62.0	101.9	15.0
105	9.8	48.4	45.6	0.94	3.71	61.1	117.5	5.3
105	12.0	48.5	45.7	0.94	3.64	60.9	115.2	7.3
105	13.5	48.5	45.7	0.94	3.61	60.8	114.0	9.0
105	15.0	48.6	45.8	0.94	3.59	60.8	113.1	10.7
105	15.8	48.6	45.8	0.94	3.58	60.8	112.7	11.7
105	16.5	48.6	45.8	0.94	3.57	60.8	112.4	12.6
105	18.0	48.6	45.8	0.94	3.55	60.7	111.7	14.6
115	9.8	45.6	44.3	0.97	4.18	59.9	127.2	5.0
115	12.0	45.7	44.4	0.97	4.12	59.7	125.0	7.1
115	13.5	45.8	44.5	0.97	4.09	59.7	123.8	8.7
115	15.0	45.8	44.5	0.97	4.06	59.7	123.0	10.4
115	15.8	45.8	44.5	0.97	4.05	59.6	122.5	11.4
115	16.5	45.9	44.6	0.97	4.04	59.7	122.2	12.3
115	18.0	45.9	44.6	0.97	4.02	59.6	121.6	14.3

Note: Cooling performance data is tabulated at 80.6°F DB/66.2°F WB entering air at ANSI/AHRI/ASHRAE/ISO13256-1 rated cfm. For conditions other than what is tabulated, multipliers must be used to correct performance. See performance correction tables for fan correction factors for CFM other than rated and the cooling correction factors for variations in entering air temperature. Rated GPM 15; Minimum CFM 1520; Rated CFM 1900; Maximum CFM 2280.

Table 69. Heating capacities 5 tons (gross) -DXV/H060

EWT	GPM	Htg Cap Mbtuh	Absorb Mbtuh	Comp Pwr kW	LWT	Feet Head
25	9.8	34.8	26.1	2.55	19.7	8.5
25	12.0	35.5	26.7	2.57	20.6	12.1
25	13.5	35.9	27.1	2.58	21.0	14.9
25	15.0	36.2	27.4	2.59	21.3	17.8
25	15.8	36.3	27.5	2.59	21.5	19.5
25	16.5	36.4	27.5	2.60	21.7	20.9
25	18.0	36.6	27.7	2.61	21.9	24.3
32	9.8	39.3	30.3	2.64	25.8	7.7
32	12.0	40.1	31.0	2.66	26.8	11.0
32	13.5	40.6	31.5	2.67	27.3	13.6
32	15.0	40.9	31.8	2.68	27.8	16.3

Table 69. Heating capacities 5 tons (gross) -DXV/H060 (continued)

EWT	GPM	Htg Cap Mbtuh	Absorb Mbtuh	Comp Pwr kW	LWT	Feet Head
32	15.8	41.1	32.0	2.68	27.9	17.9
32	16.5	41.3	32.1	2.68	28.1	19.3
32	18.0	41.5	32.3	2.69	28.4	22.4
45	9.8	47.8	38.4	2.76	37.2	6.6
45	12.0	48.9	39.4	2.78	38.4	9.5
45	13.5	49.5	40.0	2.79	39.1	11.8
45	15.0	50.0	40.4	2.80	39.6	14.2
45	15.8	50.2	40.6	2.80	39.9	15.6
45	16.5	50.4	40.8	2.81	40.1	16.9
45	18.0	50.7	41.1	2.82	40.4	19.7
55	9.8	54.6	44.9	2.86	45.8	6.0
55	12.0	55.9	46.1	2.88	47.3	8.7
55	13.5	56.6	46.8	2.89	48.1	10.8
55	15.0	57.1	47.2	2.90	48.7	13.1
55	15.8	57.4	47.5	2.90	49.0	14.3
55	16.5	57.6	47.7	2.90	49.2	15.5
55	18.0	58.0	48.1	2.91	49.7	18.1
68	9.8	63.7	53.4	3.01	57.1	5.7
68	12.0	65.3	55.0	3.03	58.8	8.1
68	13.5	66.1	55.7	3.04	59.7	10.0
68	15.0	66.8	56.4	3.05	60.5	12.0
68	15.8	67.1	56.7	3.05	60.8	13.2
68	16.5	67.4	57.0	3.05	61.1	14.3
68	18.0	67.8	57.4	3.06	61.6	16.6
75	9.8	68.9	58.3	3.09	63.1	5.6
75	12.0	70.6	60.0	3.11	65.0	7.9
75	13.5	71.5	60.8	3.12	66.0	9.7
75	15.0	72.2	61.5	3.13	66.8	11.6
75	15.8	72.6	61.9	3.14	67.2	12.8
75	16.5	72.8	62.1	3.14	67.5	13.8
75	18.0	73.4	62.7	3.15	68.0	16.1
86	9.8	77.4	66.4	3.21	72.4	5.5
86	12.0	79.3	68.3	3.23	74.6	7.7
86	13.5	80.3	69.2	3.24	75.7	9.4
86	15.0	81.1	70.0	3.25	76.7	11.2
86	15.8	81.5	70.4	3.26	77.1	12.3
86	16.5	81.8	70.7	3.26	77.4	13.2
86	18.0	82.3	71.1	3.27	78.1	15.4

Note: Heating performance data is tabulated at 68.0°F DB at the ANSI/AHRI/ASHRAE/ISO13256-1 rated cfm. For conditions other than what is tabulated, multipliers must be used to correct performance. See performance correction tables for fan correction factors for CFM other than rated and the heating correction factors for variation in entering air temperatures. Rated GPM 15; Minimum CFM 1520; Rated CFM 1900; Maximum CFM 2280.



Performance Data

Table 70. Fan correction factors 5 tons - DXV/H060

Entering cfm	Cooling Capacity	Sensible Capacity	Cooling Input Watts	Heating Capacity	Heating Input Watts
1520	0.965	0.869	0.994	0.994	1.090
1615	0.976	0.901	0.996	0.996	1.063
1710	0.985	0.934	0.998	0.997	1.039
1805	0.993	0.967	0.999	0.999	1.019
1900	1.000	1.000	1.000	1.000	1.000
2090	1.013	1.065	1.002	1.002	0.969
2185	1.020	1.098	1.004	1.003	0.955
2280	1.026	1.131	1.005	1.004	0.943

Table 71. Correction factors for variation in entering air temperature 5 tons, DXV/H060

Cooling Entering Air WB°F	Cooling capacity	Cooling Input Watts	Sensible vs. Entering Dry Bulb Multiplier					Heating Entering Air DB°F	Heating capacity	Heating Input Watts
			65.0	70.0	75.0	80.0	85.0			
49.4	0.900	0.999	0.923	0.993	1.055	*	*	53.0	1.034	0.853
56.3	0.900	0.999	0.811	0.947	1.048	*	*	58.0	1.024	0.898
60.3	0.915	0.999	0.657	0.853	0.996	1.105	*	63.0	1.012	0.947
63.2	0.955	0.999	0.502	0.749	0.929	1.065	*	68.0	1.000	1.000
66.2	1.000	1.000	–	0.608	0.831	1.000	1.133	73.0	0.986	1.057
72.1	1.109	1.003	–	–	0.550	0.795	0.988	78.0	0.972	1.117
77.1	1.206	1.007	–	–	–	–	0.791	83.0	0.957	1.180

Note: * = Sensible equals total capacity

Cooling and Heating Capacities 6 tons

Table 72. Cooling capacities 6 tons (gross) - EXV/H070

EWT	GPM	Total Mbtuh	Sen Mbtuh	SHR	Comp Pwr kW	Reject Mbtuh	LWT	Feet Head
45	11.4	72.2	60.5	0.84	2.30	80.0	59.0	5.3
45	14.0	72.1	60.4	0.84	2.29	79.9	56.4	7.7
45	15.8	72.0	60.3	0.84	2.29	79.8	55.1	9.6
45	17.5	72.0	60.3	0.84	2.29	79.8	54.1	11.6
45	18.4	72.0	60.3	0.84	2.29	79.8	53.7	12.7
45	19.3	72.0	60.3	0.84	2.29	79.8	53.3	13.9
45	21.0	72.0	60.3	0.84	2.29	79.8	52.6	16.2
55	11.4	70.9	59.9	0.84	2.43	79.2	68.9	4.9
55	14.0	70.8	59.8	0.84	2.39	79.0	66.3	7.1
55	15.8	70.7	59.7	0.84	2.38	78.8	65.0	8.9
55	17.5	70.7	59.7	0.84	2.36	78.8	64.0	10.7
55	18.4	70.7	59.7	0.84	2.36	78.7	63.6	11.7
55	19.3	70.7	59.7	0.84	2.35	78.7	63.2	12.8
55	21.0	70.7	59.7	0.84	2.35	78.7	62.5	14.9
68	11.4	69.0	58.8	0.85	2.77	78.5	81.8	4.6
68	14.0	69.0	58.8	0.85	2.71	78.3	79.2	6.6
68	15.8	69.0	58.8	0.85	2.69	78.2	77.9	8.2

Table 72. Cooling capacities 6 tons (gross) - EXV/H070 (continued)

EWT	GPM	Total Mbtuh	Sen Mbtuh	SHR	Comp Pwr kW	Reject Mbtuh	LWT	Feet Head
68	17.5	69.0	58.8	0.85	2.67	78.1	76.9	9.9
68	18.4	69.0	58.8	0.85	2.66	78.1	76.5	10.8
68	19.3	69.0	58.8	0.85	2.65	78.0	76.1	11.8
68	21.0	69.1	58.9	0.85	2.64	78.1	75.4	13.8
75	11.4	67.8	58.4	0.86	3.02	78.1	88.7	4.6
75	14.0	67.8	58.4	0.86	2.95	77.9	86.1	6.5
75	15.8	67.8	58.4	0.86	2.92	77.8	84.8	8.0
75	17.5	67.8	58.4	0.86	2.90	77.7	83.9	9.6
75	18.4	67.8	58.4	0.86	2.89	77.7	83.4	10.5
75	19.3	67.8	58.4	0.86	2.88	77.6	83.0	11.4
75	21.0	67.8	58.4	0.86	2.86	77.6	82.4	13.3
86	11.4	65.2	57.3	0.88	3.47	77.0	99.5	4.5
86	14.0	65.2	57.3	0.88	3.40	76.8	97.0	6.3
86	15.8	65.3	57.4	0.88	3.36	76.8	95.7	7.8
86	17.5	65.3	57.4	0.88	3.33	76.7	94.8	9.3
86	18.4	65.3	57.4	0.88	3.32	76.6	94.3	10.1
86	19.3	65.4	57.5	0.88	3.31	76.7	93.9	11.0
86	21.0	65.4	57.5	0.88	3.29	76.6	93.3	12.8
95	11.4	62.6	56.0	0.89	3.89	75.9	108.3	4.5
95	14.0	62.7	56.1	0.89	3.81	75.7	105.8	6.2
95	15.8	62.7	56.1	0.89	3.77	75.5	104.6	7.6
95	17.5	62.8	56.2	0.89	3.74	75.6	103.6	9.1
95	18.4	62.8	56.2	0.89	3.72	75.5	103.2	9.9
95	19.3	62.9	56.3	0.90	3.71	75.6	102.8	10.8
95	21.0	62.9	56.3	0.90	3.69	75.5	102.2	12.5
105	11.4	59.2	54.3	0.92	4.38	74.2	118.0	4.3
105	14.0	59.4	54.5	0.92	4.30	74.1	115.6	6.1
105	15.8	59.5	54.6	0.92	4.26	74.0	114.4	7.5
105	17.5	59.5	54.6	0.92	4.23	73.9	113.4	8.9
105	18.4	59.6	54.7	0.92	4.21	74.0	113.0	9.7
105	19.3	59.6	54.7	0.92	4.20	73.9	112.7	10.6
105	21.0	59.7	54.8	0.92	4.18	74.0	112.0	12.2
115	11.4	55.4	52.5	0.95	4.91	72.1	127.6	4.1
115	14.0	55.6	52.7	0.95	4.82	72.1	125.3	5.9
115	15.8	55.7	52.8	0.95	4.78	72.0	124.1	7.3
115	17.5	55.8	52.9	0.95	4.75	72.0	123.2	8.7
115	18.4	55.9	53.0	0.95	4.73	72.1	122.8	9.5
115	19.3	55.9	53.0	0.95	4.72	72.0	122.5	10.3
115	21.0	56.0	53.1	0.95	4.70	72.0	121.9	12.0

Note: Cooling performance data is tabulated at 80.6°F DB/66.2°F WB entering air at ANSI/AHRI/ASHRAE/ISO13256-1 rated cfm. For conditions other than what is tabulated, multipliers must be used to correct performance. See performance correction tables for fan correction factors for CFM other than rated and the cooling correction factors for variations in entering air temperature. Rated GPM 17.5; Minimum CFM 1772; Rated CFM 2215; Maximum CFM 2658.



Performance Data

Table 73. Heating capacities 6 tons (gross) - EXV/H070

EWT	GPM	Htg Cap Mbtuh	Absorb Mbtuh	Comp Pwr kW	LWT	Feet Head
25	11.4	42.9	32.2	3.15	19.4	6.9
25	14.0	43.5	32.7	3.16	20.3	9.8
25	15.8	43.8	33.0	3.16	20.8	12.1
25	17.5	44.1	33.3	3.16	21.2	14.5
25	18.4	44.2	33.4	3.17	21.4	15.8
25	19.3	44.2	33.4	3.17	21.5	17.1
25	21.0	44.3	33.5	3.17	21.8	19.8
32	11.4	47.7	36.7	3.23	25.6	6.2
32	14.0	48.5	37.4	3.24	26.7	9.0
32	15.8	49.0	37.9	3.25	27.2	11.1
32	17.5	49.3	38.2	3.26	27.6	13.3
32	18.4	49.5	38.4	3.26	27.8	14.5
32	19.3	49.6	38.5	3.26	28.0	15.8
32	21.0	49.7	38.6	3.26	28.3	18.3
45	11.4	57.1	45.5	3.40	37.0	5.3
45	14.0	58.3	46.6	3.42	38.3	7.7
45	15.8	59.0	47.3	3.43	39.0	9.6
45	17.5	59.5	47.8	3.44	39.5	11.6
45	18.4	59.7	47.9	3.45	39.8	12.7
45	19.3	59.9	48.1	3.45	40.0	13.9
45	21.0	60.1	48.3	3.45	40.4	16.2
55	11.4	64.7	52.6	3.55	45.8	4.9
55	14.0	66.2	54.0	3.57	47.3	7.1
55	15.8	67.0	54.8	3.59	48.1	8.9
55	17.5	67.6	55.3	3.60	48.7	10.7
55	18.4	67.9	55.6	3.61	49.0	11.7
55	19.3	68.1	55.8	3.61	49.2	12.8
55	21.0	68.5	56.2	3.62	49.6	14.9
68	11.4	75.2	62.4	3.76	57.1	4.6
68	14.0	76.9	64.0	3.79	58.9	6.6
68	15.8	77.9	64.9	3.81	59.8	8.2
68	17.5	78.6	65.5	3.83	60.5	9.9
68	18.4	79.0	65.9	3.84	60.8	10.8
68	19.3	79.2	66.1	3.84	61.2	11.8
68	21.0	79.7	66.6	3.85	61.7	13.8
75	11.4	81.0	67.7	3.89	63.1	4.6
75	14.0	82.9	69.5	3.93	65.1	6.5
75	15.8	84.0	70.5	3.95	66.1	8.0
75	17.5	84.8	71.3	3.97	66.9	9.6
75	18.4	85.1	71.5	3.97	67.2	10.5
75	19.3	85.4	71.8	3.98	67.6	11.4

Table 73. Heating capacities 6 tons (gross) - EXV/H070 (continued)

EWT	GPM	Htg Cap Mbtuh	Absorb Mbtuh	Comp Pwr kW	LWT	Feet Head
75	21.0	85.9	72.3	3.99	68.1	13.3
86	11.4	90.5	76.5	4.11	72.6	4.5
86	14.0	92.6	78.4	4.16	74.8	6.3
86	15.8	93.7	79.4	4.18	75.9	7.8
86	17.5	94.6	80.3	4.20	76.8	9.3
86	18.4	95.0	80.6	4.21	77.2	10.1
86	19.3	95.3	80.9	4.22	77.6	11.0
86	21.0	95.8	81.4	4.23	78.2	12.8

Note: Heating performance data is tabulated at 68.0°F DB at the ANSI/AHRI/ASHRAE/ISO13256-1 rated cfm. For conditions other than what is tabulated, multipliers must be used to correct performance. See performance correction tables for fan correction factors for CFM other than rated and the heating correction factors for variation in entering air temperatures. Rated GPM 17.5; Minimum CFM 1772; Rated CFM 2215; Maximum CFM 2658.

Table 74. Fan correction factors 6 tons - EXV/H070

Entering cfm	Cooling Capacity	Sensible Capacity	Cooling Input Watts	Heating Capacity	Heating Input Watts
1772	0.965	0.867	0.995	0.989	1.088
1883	0.975	0.900	0.997	0.993	1.062
1994	0.984	0.934	0.998	0.996	1.039
2104	0.992	0.967	0.999	0.998	1.018
2215	1.000	1.000	1.000	1.000	1.000
2437	1.017	1.063	1.002	1.003	0.968
2547	1.025	1.094	1.003	1.004	0.955
2658	1.031	1.128	1.004	1.005	0.943

Table 75. Correction factors for variation in entering air temperature 6 tons, EXV/H070

Cooling Entering Air WB°F	Cooling capacity	Cooling Input Watts	Sensible vs. Entering Dry Bulb Multiplier					Heating Entering Air DB°F	Heating capacity	Heating Input Watts
			65.6	70.6	75.6	80.6	85.6			
49.4	0.910	0.993	0.926	0.994	1.051	*	*	53.0	1.028	0.844
56.3	0.913	0.992	0.808	0.948	1.049	*	*	58.0	1.020	0.893
60.3	0.929	0.993	0.654	0.853	0.997	*	*	63.0	1.011	0.945
63.2	0.962	0.996	0.500	0.748	0.929	1.065	*	68.0	1.000	1.000
66.2	1.000	1.000	–	0.605	0.830	1.000	1.132	73.0	0.988	1.058
72.1	1.109	1.015	–	–	0.546	0.793	0.987	78.0	0.975	1.117
77.1	1.207	1.034	–	–	–	–	0.789	83.0	0.961	1.179

Note: * = Sensible equals total capacity

Table 76. Cooling capacities 6 tons (gross) - DXV/H070

EWT	GPM	Total Mbtuh	Sen Mbtuh	SHR	Comp Pwr kW	Reject Mbtuh	LWT	Feet Head
45	11.4	73.8	60.9	0.83	3.11	84.4	59.8	5.4
45	14.0	74.0	61.1	0.83	3.05	84.4	57.1	7.8
45	15.8	74.0	61.1	0.83	3.02	84.3	55.7	9.8
45	17.5	74.1	61.2	0.83	3.01	84.4	54.6	11.8
45	18.4	74.1	61.2	0.83	3.00	84.3	54.2	12.9
45	19.3	74.1	61.2	0.83	2.99	84.3	53.7	14.0



Performance Data

Table 76. Cooling capacities 6 tons (gross) - DXV/H070 (continued)

EWT	GPM	Total Mbtuh	Sen Mbtuh	SHR	Comp Pwr kW	Reject Mbtuh	LWT	Feet Head
45	21.0	74.2	61.2	0.82	2.98	84.4	53.0	16.3
55	11.4	71.5	59.7	0.83	3.42	83.2	69.6	4.9
55	14.0	71.7	59.9	0.84	3.36	83.1	66.9	7.2
55	15.8	71.7	59.9	0.84	3.32	83.0	65.5	9.0
55	17.5	71.8	60.0	0.84	3.30	83.1	64.5	10.8
55	18.4	71.8	60.0	0.84	3.29	83.0	64.0	11.8
55	19.3	71.8	60.0	0.84	3.28	83.0	63.6	12.9
55	21.0	71.9	60.1	0.84	3.26	83.0	62.9	15.0
68	11.4	69.4	59.0	0.85	3.90	82.7	82.5	4.7
68	14.0	69.6	59.1	0.85	3.82	82.6	79.8	6.7
68	15.8	69.7	59.2	0.85	3.78	82.6	78.5	8.3
68	17.5	69.7	59.2	0.85	3.75	82.5	77.4	10.0
68	18.4	69.7	59.2	0.85	3.74	82.5	77.0	10.9
68	19.3	69.8	59.3	0.85	3.73	82.5	76.5	11.9
68	21.0	69.8	59.3	0.85	3.71	82.5	75.9	13.8
75	11.4	68.2	58.5	0.86	4.20	82.5	89.5	4.6
75	14.0	68.4	58.7	0.86	4.11	82.4	86.8	6.6
75	15.8	68.4	58.7	0.86	4.07	82.3	85.4	8.1
75	17.5	68.5	58.8	0.86	4.04	82.3	84.4	9.7
75	18.4	68.5	58.8	0.86	4.02	82.2	83.9	10.6
75	19.3	68.5	58.8	0.86	4.01	82.2	83.5	11.5
75	21.0	68.6	58.8	0.86	3.99	82.2	82.8	13.4
86	11.4	65.6	57.3	0.87	4.72	81.7	100.3	4.6
86	14.0	65.8	57.5	0.87	4.63	81.6	97.7	6.4
86	15.8	65.9	57.6	0.87	4.58	81.5	96.3	7.9
86	17.5	65.9	57.6	0.87	4.54	81.4	95.3	9.4
86	18.4	65.9	57.6	0.87	4.53	81.4	94.8	10.2
86	19.3	66.0	57.7	0.87	4.52	81.4	94.4	11.1
86	21.0	66.0	57.7	0.87	4.49	81.3	93.7	12.9
95	11.4	63.0	56.1	0.89	5.21	80.8	109.2	4.6
95	14.0	63.2	56.2	0.89	5.11	80.6	106.5	6.4
95	15.8	63.2	56.2	0.89	5.06	80.5	105.2	7.8
95	17.5	63.3	56.3	0.89	5.02	80.4	104.2	9.2
95	18.4	63.3	56.3	0.89	5.00	80.4	103.7	10.0
95	19.3	63.3	56.3	0.89	4.99	80.3	103.3	10.9
95	21.0	63.4	56.4	0.89	4.96	80.3	102.6	12.6
105	11.4	59.7	54.5	0.91	5.82	79.6	119.0	4.4
105	14.0	59.8	54.6	0.91	5.71	79.3	116.3	6.2
105	15.8	59.9	54.7	0.91	5.66	79.2	115.0	7.6
105	17.5	59.9	54.7	0.91	5.62	79.1	114.0	9.1
105	18.4	60.0	54.8	0.91	5.60	79.1	113.6	9.9

Table 76. Cooling capacities 6 tons (gross) - DXV/H070 (continued)

EWT	GPM	Total Mbtuh	Sen Mbtuh	SHR	Comp Pwr kW	Reject Mbtuh	LWT	Feet Head
105	19.3	60.0	54.8	0.91	5.59	79.1	113.2	10.7
105	21.0	60.0	54.8	0.91	5.56	79.0	112.5	12.4
115	11.4	56.1	52.9	0.94	6.51	78.3	128.7	4.2
115	14.0	56.3	53.1	0.94	6.39	78.1	126.2	6.0
115	15.8	56.3	53.1	0.94	6.34	77.9	124.9	7.4
115	17.5	56.3	53.1	0.94	6.30	77.8	123.9	8.8
115	18.4	56.4	53.2	0.94	6.28	77.8	123.5	9.6
115	19.3	56.4	53.2	0.94	6.27	77.8	123.1	10.5
115	21.0	56.4	53.2	0.94	6.24	77.7	122.4	12.1

Note: Cooling performance data is tabulated at 80.6°F DB/66.2°F WB entering air at ANSI/AHRI/ASHRAE/ISO13256-1 rated cfm. For conditions other than what is tabulated, multipliers must be used to correct performance. See performance correction tables for fan correction factors for CFM other than rated and the cooling correction factors for variations in entering air temperature. Rated GPM 17.5; Minimum CFM 1772; Rated CFM 2215; Maximum CFM 2658.

Table 77. Heating capacities 6 tons (gross) - DXV/H070

EWT	GPM	Htg Cap Mbtuh	Absorb Mbtuh	Comp Pwr kW	LWT	Feet Head
25	11.40	43.40	29.30	4.130	19.90	7.10
25	14.00	44.20	30.10	4.150	20.70	10.10
25	15.80	44.60	30.40	4.160	21.20	12.50
25	17.50	44.80	30.60	4.160	21.50	14.80
25	18.40	44.90	30.70	4.170	21.70	16.20
25	19.30	45.10	30.90	4.170	21.80	17.50
25	21.00	45.30	31.10	4.170	22.00	20.20
32	11.40	48.40	33.90	4.250	26.10	6.30
32	14.00	49.40	34.80	4.270	27.00	9.10
32	15.80	49.80	35.20	4.280	27.50	11.30
32	17.50	50.20	35.60	4.290	27.90	13.60
32	18.40	50.30	35.60	4.290	28.10	14.80
32	19.30	50.50	35.80	4.30	28.30	16.10
32	21.00	50.70	36.00	4.30	28.60	18.60
45	11.40	58.20	42.80	4.50	37.50	5.40
45	14.00	59.50	44.00	4.53	38.70	7.80
45	15.80	60.10	44.60	4.55	39.40	9.80
45	17.50	60.60	45.10	4.56	39.80	11.80
45	18.4	60.8	45.2	4.56	40.1	12.9
45	19.3	61.0	45.4	4.56	40.3	14.0
45	21.0	61.3	45.7	4.57	40.6	16.3
55	11.4	66.1	50.0	4.71	46.2	4.9
55	14.0	67.6	51.4	4.75	47.7	7.2
55	15.8	68.3	52.0	4.76	48.4	9.0
55	17.5	68.9	52.6	4.78	49.0	10.8
55	18.4	69.2	52.9	4.78	49.3	11.8
55	19.3	69.4	53.1	4.79	49.5	12.9
55	21.0	69.8	53.4	4.80	49.9	15.0



Performance Data

Table 77. Heating capacities 6 tons (gross) - DXV/H070 (continued)

EWT	GPM	Htg Cap Mbtuh	Absorb Mbtuh	Comp Pwr kW	LWT	Feet Head
68	11.4	76.7	59.7	5.00	57.5	4.7
68	14.0	78.5	61.3	5.04	59.2	6.7
68	15.8	79.4	62.1	5.06	60.1	8.3
68	17.5	80.1	62.8	5.08	60.8	10.0
68	18.4	80.4	63.0	5.09	61.2	10.9
68	19.3	80.7	63.3	5.09	61.4	11.9
68	21.0	81.1	63.7	5.10	61.9	13.8
75	11.4	82.5	64.9	5.15	63.6	4.6
75	14.0	84.4	66.7	5.20	65.5	6.6
75	15.8	85.5	67.7	5.23	66.4	8.1
75	17.5	86.2	68.3	5.24	67.2	9.7
75	18.4	86.6	68.7	5.25	67.5	10.6
75	19.3	86.9	69.0	5.26	67.8	11.5
75	21.0	87.4	69.4	5.27	68.4	13.4
86	11.4	91.7	73.3	5.39	73.1	4.6
86	14.0	93.9	75.3	5.45	75.2	6.4
86	15.8	95.1	76.4	5.48	76.3	7.9
86	17.5	95.9	77.1	5.51	77.2	9.4
86	18.4	96.3	77.5	5.52	77.6	10.2
86	19.3	96.7	77.8	5.53	77.9	11.1
86	21.0	97.2	78.3	5.54	78.5	12.9

Note: Heating performance data is tabulated at 68.0°F DB at the ANSI/AHRI/ASHRAE/ISO13256-1 rated cfm. For conditions other than what is tabulated, multipliers must be used to correct performance. See performance correction tables for fan correction factors for CFM other than rated and the heating correction factors for variation in entering air temperatures. Rated GPM 17.5; Minimum CFM 1772; Rated CFM 2215; Maximum CFM 2658.

Table 78. Fan correction factors 6 tons - DXV/H070

Entering cfm	Cooling Capacity	Sensible Capacity	Cooling Input Watts	Heating Capacity	Heating Input Watts
1772	0.963	0.869	0.996	0.989	1.081
1883	0.974	0.901	0.997	0.993	1.057
1994	0.983	0.936	0.998	0.997	1.036
2104	0.991	0.968	0.999	1.000	1.017
2215	1.000	1.000	1.000	1.002	1.000
2437	1.018	1.062	1.002	1.007	0.971
2547	1.025	1.094	1.002	1.009	0.959
2658	1.032	1.127	1.003	1.011	0.948

Table 79. Correction factors for variation in entering air temperature 6 tons, DXV/H070

Cooling Entering Air WB°F	Cooling capacity	Cooling Input Watts	Sensible vs. Entering Dry Bulb Multiplier					Heating Entering Air DB°F	Heating capacity	Heating Input Watts
			65.0	70.0	75.0	80.0	85.0			
49.4	0.900	0.995	0.913	0.980	1.029	*	*	53.0	1.038	0.858
56.3	0.910	0.993	0.804	0.948	1.048	*	*	58.0	1.025	0.904
60.3	0.925	0.995	0.652	0.855	1.002	*	*	63.0	1.013	0.950
63.2	0.960	0.997	0.499	0.747	0.932	1.070	*	68.0	1.000	1.000

Table 79. Correction factors for variation in entering air temperature 6 tons, DXV/H070 (continued)

Cooling Entering Air WB°F	Cooling capacity	Cooling Input Watts	Sensible vs. Entering Dry Bulb Multiplier					Heating Entering Air DB°F	Heating capacity	Heating Input Watts
			65.0	70.0	75.0	80.0	85.0			
66.2	1.000	1.000	–	0.601	0.828	1.000	1.134	73.0	0.987	1.053
72.1	1.114	1.011	–	–	0.539	0.782	0.974	78.0	0.973	1.108
77.1	1.218	1.024	–	–	–	–	0.774	83.0	0.957	1.170

Note: * = Sensible equals total capacity

Unit Fan Performance

ECM Control Board

Units with Deluxe 24V controls

The ECM is programmed for constant torque and delivers airflow similar to a PSC motor while operating at a higher efficiency.

Figure 12. ECM control board



1. Potentiometer will be used to adjust the PWM output
2. Seven segment display

Using a screwdriver, the potentiometer will be used to adjust the PWM output from 20% to 100% PWM. Increasing the PWM will increase the motor speed. When setting the airflow for air balancing, the high-speed terminal (GH) must have 24Vac signal. This will ensure that the PWM output will be adjusted for the full load airflow.

The display will show the commanded motor speed percentage. If running on low speed (GL), the low-speed value will be displayed. If running in GH the high-speed value will be displayed. If both GH and GL input signals are present, the PWM output value will be the GH value.

Note: ECM control board is only on units with Deluxe 24V controls. Tracer® TU is used to adjust fan speed on units with Symbio™ 400-B/UC400-B controls.

Table 80. Unit fan performance EXV/H009

		External Static Pressure																		
		0.00		0.05		0.10		0.15		0.20		0.25		0.30		0.35		0.40		
CFM	kW	RPM	kW	RPM	kW	RPM	kW	RPM	kW	RPM	kW	RPM	kW	RPM	kW	RPM	kW	RPM	kW	RPM
191	0.014	340	0.015	408	0.017	473	0.020	534	0.022	592	0.026	647	0.029	698	0.033	747	0.038	793		
200	0.014	345	0.015	412	0.017	477	0.020	538	0.023	595	0.026	650	0.030	701	0.034	750	0.038	796		
214	0.014	351	0.016	419	0.018	483	0.020	543	0.023	600	0.027	654	0.031	706	0.035	754	0.040	800		
228	0.014	358	0.016	425	0.018	489	0.021	549	0.024	606	0.028	659	0.032	710	0.036	759	0.041	804		
242	0.014	366	0.016	432	0.018	495	0.021	555	0.025	611	0.029	665	0.033	715	0.038	763	0.043	809		
257	0.015	374	0.017	440	0.019	502	0.022	561	0.026	617	0.030	670	0.034	721	0.039	768	0.044	814		
271	0.015	382	0.017	447	0.020	509	0.023	568	0.027	623	0.031	676	0.036	726	0.041	773	0.046	818		
285	0.016	389	0.018	454	0.021	516	0.024	574	0.028	629	0.032	682	0.037	732	0.043	779	0.048	823		
299	0.016	398	0.019	462	0.022	523	0.025	581	0.029	636	0.034	688	0.039	737	0.044	784	0.050	828		

Table 80. Unit fan performance EXV/H009 (continued)

External Static Pressure																		
314	0.017	407	0.020	470	0.023	531	0.026	588	0.031	643	0.035	694	0.041	743	0.046	790	0.052	834
342	0.019	424	0.022	486	0.025	546	0.029	602	0.034	656	0.039	707	0.044	756	0.050	802	0.057	845
	0.45		0.50		0.55		0.60		0.65		0.70		0.75		0.80		0.85	
CFM	kW	RPM	kW	RPM	kW	RPM	kW	RPM	kW	RPM	kW	RPM	kW	RPM	kW	RPM	kW	RPM
191	0.042	837	0.047	878	0.051	917	0.056	954	0.061	988	0.065	1021	0.069	1052	0.073	1082	0.077	1110
200	0.043	839	0.048	881	0.052	919	0.057	956	0.062	991	0.067	1023	0.071	1055	0.075	1084	0.079	1112
214	0.045	843	0.049	884	0.054	923	0.060	960	0.065	994	0.069	1027	0.074	1058	0.079	1088	0.083	1116
228	0.046	847	0.051	888	0.057	927	0.062	963	0.067	998	0.072	1031	0.077	1062	0.082	1092	0.087	1120
242	0.048	852	0.053	892	0.059	931	0.064	967	0.070	1002	0.075	1035	0.080	1066	0.085	1096	0.090	1125
257	0.050	856	0.056	897	0.061	935	0.067	972	0.073	1006	0.078	1039	0.084	1071	0.089	1101	0.094	1129
271	0.052	861	0.058	901	0.064	940	0.070	976	0.076	1011	0.081	1044	0.087	1075	0.093	1105	0.098	1134
285	0.054	866	0.060	906	0.066	944	0.072	980	0.078	1015	0.085	1048	0.091	1079	0.096	1110	0.102	1138
299	0.056	871	0.062	911	0.069	949	0.075	985	0.081	1020	0.088	1052	0.094	1084	0.100	1114	0.106	1143
314	0.058	876	0.065	916	0.071	954	0.078	990	0.085	1025	0.091	1057	0.098	1089	0.104	1119	0.110	1149
342	0.063	887	0.070	926	0.077	964	0.084	1000	0.091	1034	0.098	1067	0.105	1099	0.112	1129	0.119	1159
	0.90		0.95		1.00		1.05		1.10		1.15		1.20		1.25		1.30	
CFM	kW	RPM	kW	RPM	kW	RPM	kW	RPM	kW	RPM	kW	RPM	kW	RPM	kW	RPM	kW	RPM
191	0.081	1136	0.084	1162	0.086	1186	0.088	1210	0.090	1233	0.090	1255	0.090	1277	0.089	1298	0.088	1319
200	0.083	1139	0.086	1165	0.089	1189	0.091	1213	0.093	1236	0.094	1258	0.094	1280	0.093	1302	0.092	1324
214	0.087	1143	0.090	1169	0.093	1194	0.096	1218	0.098	1241	0.099	1264	0.099	1287	0.099	1309	0.098	1331
228	0.091	1147	0.095	1174	0.098	1199	0.101	1223	0.103	1247	0.104	1270	0.105	1293	0.105	1315	0.104	1338
242	0.095	1152	0.099	1178	0.102	1204	0.105	1228	0.108	1252	0.110	1276	0.111	1299	0.111	1322	0.111	1345
257	0.099	1157	0.103	1183	0.107	1209	0.111	1234	0.114	1259	0.116	1283	0.117	1306	0.118	1330	0.118	1353
271	0.103	1162	0.108	1188	0.112	1214	0.116	1240	0.119	1264	0.121	1289	0.123	1313	0.124	1337	0.125	1361
285	0.107	1166	0.112	1193	0.117	1220	0.121	1245	0.124	1270	0.127	1295	0.129	1320	0.131	1344	0.131	1368
299	0.112	1171	0.117	1199	0.122	1225	0.126	1251	0.130	1276	0.133	1301	0.135	1326	0.137	1351	0.138	1376
314	0.116	1177	0.122	1204	0.127	1231	0.132	1257	0.136	1283	-	-	-	-	-	-	-	-
342	0.125	1187	0.131	1215	-	-	-	-	-	-	-	-	-	-	-	-	-	-
	1.35		1.40		1.45		1.50		1.55		1.60		1.65		1.70		1.75	
CFM	kW	RPM	kW	RPM	kW	RPM	kW	RPM	kW	RPM	kW	RPM	kW	RPM	kW	RPM	kW	RPM
191	0.103	1361	0.100	1383	-	-	-	-	-	-	-	-	-	-	-	-	-	-
200	0.110	1368	0.107	1392	-	-	-	-	-	-	-	-	-	-	-	-	-	-
214	0.117	1377	-	-	-	-	-	-	-	-	-	-	-	-	-	-	-	-
228	0.124	1385	-	-	-	-	-	-	-	-	-	-	-	-	-	-	-	-
242	0.131	1393	-	-	-	-	-	-	-	-	-	-	-	-	-	-	-	-

Table 81. Unit fan performance EXV/H012

External Static Pressure																		
	0.00		0.05		0.10		0.15		0.20		0.25		0.30		0.35		0.40	
CFM	kW	RPM	kW	RPM	kW	RPM	kW	RPM	kW	RPM	kW	RPM	kW	RPM	kW	RPM	kW	RPM
255	0.015	373	0.017	439	0.019	501	0.022	560	0.026	616	0.030	670	0.034	720	0.039	768	0.044	813
266	0.015	379	0.017	444	0.019	506	0.023	565	0.026	621	0.031	674	0.035	724	0.040	772	0.046	817



Unit Fan Performance

Table 81. Unit fan performance EXV/H012 (continued)

External Static Pressure																		
	0.45		0.50		0.55		0.60		0.65		0.70		0.75		0.80		0.85	
CFM	kW	RPM	kW	RPM	kW	RPM	kW	RPM	kW	RPM	kW	RPM	kW	RPM	kW	RPM	kW	RPM
285	0.016	389	0.018	454	0.021	516	0.024	574	0.028	629	0.032	682	0.037	732	0.043	779	0.048	823
304	0.017	401	0.019	465	0.022	525	0.025	583	0.030	638	0.034	690	0.039	739	0.045	786	0.051	830
323	0.018	412	0.020	475	0.023	536	0.027	593	0.032	647	0.036	698	0.042	747	0.048	794	0.054	838
342	0.019	424	0.022	486	0.025	546	0.029	602	0.034	656	0.039	707	0.044	756	0.050	802	0.057	845
361	0.021	436	0.024	498	0.027	557	0.031	613	0.036	666	0.041	716	0.047	764	0.053	810	0.060	853
380	0.023	448	0.026	509	0.029	568	0.034	623	0.039	675	0.044	725	0.050	773	0.057	818	0.063	861
399	0.025	461	0.028	521	0.032	579	0.036	634	0.041	686	0.047	735	0.053	782	0.060	827	0.067	869
418	0.027	474	0.030	534	0.034	591	0.039	645	0.044	696	0.050	745	0.057	791	0.064	836	0.071	878
456	0.032	501	0.036	559	0.040	615	0.045	667	0.051	717	0.057	765	0.064	811	0.072	854	0.079	896
	0.90		0.95		1.00		1.05		1.10		1.15		1.20		1.25		1.30	
CFM	kW	RPM	kW	RPM	kW	RPM	kW	RPM	kW	RPM	kW	RPM	kW	RPM	kW	RPM	kW	RPM
255	0.050	856	0.055	896	0.061	935	0.067	971	0.072	1006	0.078	1039	0.083	1070	0.089	1100	0.094	1129
266	0.051	859	0.057	900	0.063	938	0.069	974	0.075	1009	0.080	1042	0.086	1073	0.092	1103	0.097	1132
285	0.054	866	0.060	906	0.066	944	0.072	980	0.078	1015	0.085	1048	0.091	1079	0.096	1110	0.102	1138
304	0.057	872	0.063	912	0.070	950	0.076	987	0.083	1021	0.089	1054	0.095	1086	0.102	1116	0.108	1145
323	0.060	879	0.067	919	0.073	957	0.080	993	0.087	1028	0.094	1061	0.100	1092	0.107	1123	0.113	1152
342	0.063	887	0.070	926	0.077	964	0.084	1000	0.091	1034	0.098	1067	0.105	1099	0.112	1129	0.119	1159
361	0.067	894	0.074	934	0.081	971	0.089	1007	0.096	1041	0.103	1074	0.111	1106	0.118	1136	0.125	1166
380	0.071	902	0.078	941	0.085	978	0.093	1014	0.101	1048	0.109	1081	0.116	1113	0.124	1144	0.131	1173
399	0.074	910	0.082	949	0.090	986	0.098	1022	0.106	1056	0.114	1089	0.122	1120	0.130	1151	0.137	1181
418	0.079	918	0.086	957	0.094	994	0.103	1029	0.111	1063	0.119	1096	0.128	1128	0.136	1158	0.144	1188
456	0.087	935	0.096	973	0.104	1010	0.113	1045	0.122	1079	0.131	1111	0.140	1143	0.149	1174	0.157	1204
255	0.098	1156	0.103	1183	0.107	1208	0.110	1233	0.113	1258	0.115	1282	0.116	1305	0.117	1329	0.117	1352
266	0.102	1160	0.106	1187	0.110	1212	0.114	1238	0.117	1262	0.119	1286	0.121	1310	0.122	1334	0.122	1358
285	0.107	1166	0.112	1193	0.117	1220	0.121	1245	0.124	1270	0.127	1295	0.129	1320	0.131	1344	0.131	1368
304	0.113	1173	0.119	1200	0.123	1227	0.128	1253	0.132	1278	0.135	1304	0.137	1329	0.139	1354	0.140	1379
323	0.119	1180	0.125	1208	0.130	1234	0.135	1261	0.139	1287	0.143	1313	0.146	1338	0.148	1364	0.150	1390
342	0.125	1187	0.131	1215	0.137	1242	0.142	1269	0.147	1295	0.151	1322	0.154	1348	0.157	1374	0.159	1400
361	0.132	1195	0.138	1223	0.144	1250	0.150	1277	0.155	1304	0.159	1331	0.163	1357	0.166	1384	-	-
380	0.138	1202	0.145	1230	0.151	1258	0.157	1286	0.163	1313	0.167	1340	0.172	1367	0.175	1395	-	-
399	0.145	1210	0.152	1238	0.159	1266	0.165	1294	0.171	1322	0.176	1349	0.181	1377	-	-	-	-
418	0.152	1218	0.159	1246	0.166	1275	0.173	1303	0.179	1331	0.185	1359	-	-	-	-	-	-
456	0.166	1234	0.174	1263	-	-	-	-	-	-	-	-	-	-	-	-	-	-

Table 82. Unit fan performance EXV/H015

External Static Pressure																		
	0.00		0.05		0.10		0.15		0.20		0.25		0.30		0.35		0.40	
CFM	kW	RPM	kW	RPM	kW	RPM	kW	RPM	kW	RPM	kW	RPM	kW	RPM	kW	RPM	kW	RPM
255	0.015	373	0.017	439	0.019	501	0.022	560	0.026	616	0.030	670	0.034	720	0.039	768	0.044	813
266	0.015	379	0.017	444	0.019	506	0.023	565	0.026	621	0.031	674	0.035	724	0.040	772	0.046	817
285	0.016	389	0.018	454	0.021	516	0.024	574	0.028	629	0.032	682	0.037	732	0.043	779	0.048	823

Table 82. Unit fan performance EXV/H015 (continued)

External Static Pressure																		
	0.45		0.50		0.55		0.60		0.65		0.70		0.75		0.80		0.85	
CFM	kW	RPM	kW	RPM	kW	RPM	kW	RPM	kW	RPM	kW	RPM	kW	RPM	kW	RPM	kW	RPM
304	0.017	401	0.019	465	0.022	525	0.025	583	0.030	638	0.034	690	0.039	739	0.045	786	0.051	830
323	0.018	412	0.020	475	0.023	536	0.027	593	0.032	647	0.036	698	0.042	747	0.048	794	0.054	838
342	0.019	424	0.022	486	0.025	546	0.029	602	0.034	656	0.039	707	0.044	756	0.050	802	0.057	845
361	0.021	436	0.024	498	0.027	557	0.031	613	0.036	666	0.041	716	0.047	764	0.053	810	0.060	853
380	0.023	448	0.026	509	0.029	568	0.034	623	0.039	675	0.044	725	0.050	773	0.057	818	0.063	861
399	0.025	461	0.028	521	0.032	579	0.036	634	0.041	686	0.047	735	0.053	782	0.060	827	0.067	869
418	0.027	474	0.030	534	0.034	591	0.039	645	0.044	696	0.050	745	0.057	791	0.064	836	0.071	878
456	0.032	501	0.036	559	0.040	615	0.045	667	0.051	717	0.057	765	0.064	811	0.072	854	0.079	896
	0.90		0.95		1.00		1.05		1.10		1.15		1.20		1.25		1.30	
CFM	kW	RPM	kW	RPM	kW	RPM	kW	RPM	kW	RPM	kW	RPM	kW	RPM	kW	RPM	kW	RPM
255	0.050	856	0.055	896	0.061	935	0.067	971	0.072	1006	0.078	1039	0.083	1070	0.089	1100	0.094	1129
266	0.051	859	0.057	900	0.063	938	0.069	974	0.075	1009	0.080	1042	0.086	1073	0.092	1103	0.097	1132
285	0.054	866	0.060	906	0.066	944	0.072	980	0.078	1015	0.085	1048	0.091	1079	0.096	1110	0.102	1138
304	0.057	872	0.063	912	0.070	950	0.076	987	0.083	1021	0.089	1054	0.095	1086	0.102	1116	0.108	1145
323	0.060	879	0.067	919	0.073	957	0.080	993	0.087	1028	0.094	1061	0.100	1092	0.107	1123	0.113	1152
342	0.063	887	0.070	926	0.077	964	0.084	1000	0.091	1034	0.098	1067	0.105	1099	0.112	1129	0.119	1159
361	0.067	894	0.074	934	0.081	971	0.089	1007	0.096	1041	0.103	1074	0.111	1106	0.118	1136	0.125	1166
380	0.071	902	0.078	941	0.085	978	0.093	1014	0.101	1048	0.109	1081	0.116	1113	0.124	1144	0.131	1173
399	0.074	910	0.082	949	0.090	986	0.098	1022	0.106	1056	0.114	1089	0.122	1120	0.130	1151	0.137	1181
418	0.079	918	0.086	957	0.094	994	0.103	1029	0.111	1063	0.119	1096	0.128	1128	0.136	1158	0.144	1188
456	0.087	935	0.096	973	0.104	1010	0.113	1045	0.122	1079	0.131	1111	0.140	1143	0.149	1174	0.157	1204
255	0.098	1156	0.103	1183	0.107	1208	0.110	1233	0.113	1258	0.115	1282	0.116	1305	0.117	1329	0.117	1352
266	0.102	1160	0.106	1187	0.110	1212	0.114	1238	0.117	1262	0.119	1286	0.121	1310	0.122	1334	0.122	1358
285	0.107	1166	0.112	1193	0.117	1220	0.121	1245	0.124	1270	0.127	1295	0.129	1320	0.131	1344	0.131	1368
304	0.113	1173	0.119	1200	0.123	1227	0.128	1253	0.132	1278	0.135	1304	0.137	1329	0.139	1354	0.140	1379
323	0.119	1180	0.125	1208	0.130	1234	0.135	1261	0.139	1287	0.143	1313	0.146	1338	0.148	1364	0.150	1390
342	0.125	1187	0.131	1215	0.137	1242	0.142	1269	0.147	1295	0.151	1322	0.154	1348	0.157	1374	0.159	1400
361	0.132	1195	0.138	1223	0.144	1250	0.150	1277	0.155	1304	0.159	1331	0.163	1357	0.166	1384	-	-
380	0.138	1202	0.145	1230	0.151	1258	0.157	1286	0.163	1313	0.167	1340	0.172	1367	0.175	1395	-	-
399	0.145	1210	0.152	1238	0.159	1266	0.165	1294	0.171	1322	0.176	1349	0.181	1377	-	-	-	-
418	0.152	1218	0.159	1246	0.166	1275	0.173	1303	0.179	1331	0.185	1359	-	-	-	-	-	-
456	0.166	1234	0.174	1263	-	-	-	-	-	-	-	-	-	-	-	-	-	-

Table 83. Unit fan performance EXV/H018

External Static Pressure																		
	0.00		0.05		0.10		0.15		0.20		0.25		0.30		0.35		0.40	
CFM	kW	RPM	kW	RPM	kW	RPM	kW	RPM	kW	RPM	kW	RPM	kW	RPM	kW	RPM	kW	RPM
382	0.012	353	0.018	407	0.023	459	0.029	509	0.035	557	0.041	602	0.047	646	0.053	688	0.060	728
399	0.014	359	0.019	413	0.024	465	0.030	515	0.036	562	0.042	608	0.049	651	0.056	693	0.062	732
428	0.016	370	0.021	424	0.027	475	0.033	525	0.039	572	0.046	617	0.052	660	0.059	701	0.066	740
456	0.018	381	0.024	434	0.030	485	0.036	534	0.042	581	0.049	625	0.056	668	0.063	709	0.071	748



Unit Fan Performance

Table 83. Unit fan performance EXV/H018 (continued)

External Static Pressure																		
485	0.020	393	0.026	445	0.032	496	0.039	544	0.046	590	0.053	634	0.060	677	0.067	717	0.075	756
513	0.023	404	0.029	456	0.036	506	0.042	554	0.049	599	0.057	643	0.064	685	0.072	725	0.080	764
542	0.026	415	0.032	467	0.039	516	0.046	564	0.053	609	0.061	652	0.069	694	0.077	734	0.085	772
570	0.029	427	0.036	478	0.043	527	0.050	574	0.057	618	0.065	661	0.073	703	0.081	742	0.090	780
599	0.033	438	0.039	489	0.046	537	0.054	584	0.062	628	0.070	671	0.078	712	0.087	751	0.095	788
627	0.036	450	0.043	500	0.051	548	0.058	594	0.066	638	0.075	680	0.083	720	0.092	759	0.101	796
684	0.045	473	0.052	522	0.060	569	0.068	614	0.076	657	0.085	699	0.094	738	0.104	776	0.114	813
	0.45		0.50		0.55		0.60		0.65		0.70		0.75		0.80		0.85	
CFM	kW	RPM	kW	RPM	kW	RPM	kW	RPM	kW	RPM	kW	RPM	kW	RPM	kW	RPM	kW	RPM
382	0.067	766	0.074	802	0.081	837	0.088	870	0.095	902	0.102	932	0.110	962	0.117	989	0.124	1016
399	0.069	770	0.076	806	0.083	841	0.091	874	0.098	906	0.106	936	0.113	965	0.121	993	0.128	1020
428	0.074	778	0.081	814	0.089	848	0.096	881	0.104	913	0.112	943	0.120	972	0.128	1000	0.136	1027
456	0.078	785	0.086	821	0.094	855	0.102	888	0.110	920	0.118	950	0.126	979	0.135	1006	0.143	1033
485	0.083	793	0.091	829	0.099	863	0.107	895	0.116	927	0.125	957	0.133	985	0.142	1013	0.151	1040
513	0.088	801	0.096	836	0.105	870	0.113	902	0.122	933	0.131	963	0.140	992	0.149	1019	0.159	1046
542	0.093	809	0.102	844	0.111	877	0.120	909	0.129	940	0.138	970	0.148	999	0.157	1026	0.167	1053
570	0.099	816	0.108	851	0.117	884	0.126	916	0.136	947	0.145	977	0.155	1005	0.165	1032	0.175	1059
599	0.105	824	0.114	859	0.123	892	0.133	924	0.143	954	0.153	983	0.163	1012	0.173	1039	0.184	1066
627	0.111	832	0.120	866	0.130	899	0.140	931	0.150	961	0.161	990	0.171	1018	0.182	1046	0.193	1072
684	0.124	848	0.134	881	0.144	914	0.155	945	0.166	975	0.177	1004	0.188	1032	0.200	1059	0.211	1085
	0.90		0.95		1.00		1.05		1.10		1.15		1.20		1.25		1.30	
CFM	kW	RPM	kW	RPM	kW	RPM	kW	RPM	kW	RPM	kW	RPM	kW	RPM	kW	RPM	kW	RPM
382	0.132	1042	0.139	1067	0.147	1091	0.154	1114	0.161	1136	0.169	1158	0.176	1179	0.183	1199	0.190	1219
399	0.136	1046	0.144	1071	0.152	1095	0.159	1118	0.167	1140	0.175	1162	0.182	1183	0.190	1204	0.197	1224
428	0.144	1052	0.152	1077	0.160	1101	0.168	1124	0.176	1147	0.185	1169	0.193	1190	0.201	1211	0.208	1232
456	0.152	1059	0.160	1084	0.169	1108	0.177	1131	0.186	1153	0.194	1175	0.203	1197	0.211	1218	0.220	1239
485	0.160	1065	0.169	1090	0.178	1114	0.187	1138	0.196	1160	0.205	1182	0.214	1204	0.223	1225	0.232	1246
513	0.168	1072	0.177	1097	0.187	1121	0.196	1144	0.206	1167	0.215	1189	0.225	1211	0.234	1232	0.243	1253
542	0.177	1078	0.186	1103	0.196	1127	0.206	1151	0.216	1174	0.226	1196	0.236	1218	0.246	1240	0.256	1261
570	0.185	1085	0.195	1109	0.206	1134	0.216	1157	0.226	1180	0.237	1203	0.247	1225	0.258	1246	0.268	1268
599	0.194	1091	0.205	1116	0.216	1140	0.227	1164	0.237	1187	0.248	1209	0.259	1232	0.270	1254	0.281	1275
627	0.204	1097	0.215	1122	0.226	1146	0.237	1170	0.248	1193	0.260	1216	0.271	1238	0.282	1260	0.294	1282
684	0.223	1110	0.235	1135	0.247	1159	0.259	1183	0.271	1206	0.284	1229	-	-	-	-	-	-
	1.35		1.40		1.45		1.50		1.55		1.60		1.65		1.70		1.75	
CFM	kW	RPM	kW	RPM	kW	RPM	kW	RPM	kW	RPM	kW	RPM	kW	RPM	kW	RPM	kW	RPM
382	0.197	1239	0.204	1259	0.211	1278	0.218	1297	0.224	1317	0.231	1336	0.237	1355	0.243	1375	0.248	1395
399	0.204	1244	0.212	1264	0.219	1283	0.226	1303	0.233	1322	0.239	1342	0.246	1361	0.252	1381	-	-
428	0.216	1252	0.224	1272	0.232	1292	0.239	1311	0.247	1331	0.254	1351	0.261	1371	0.268	1392	-	-
456	0.228	1259	0.236	1280	0.245	1300	0.253	1320	0.261	1340	0.268	1360	0.276	1381	-	-	-	-
485	0.241	1267	0.249	1288	0.258	1308	0.267	1328	0.275	1349	0.284	1370	0.292	1391	-	-	-	-
513	0.253	1274	0.262	1295	0.271	1316	0.281	1337	0.290	1358	0.298	1379	0.307	1400	-	-	-	-
542	0.266	1282	0.276	1303	0.285	1324	0.295	1345	0.305	1367	-	-	-	-	-	-	-	-
570	0.279	1289	0.289	1311	0.299	1332	-	-	-	-	-	-	-	-	-	-	-	-

Table 83. Unit fan performance EXV/H018 (continued)

External Static Pressure																		
599	0.292	1297	0.303	1318	-	-	-	-	-	-	-	-	-	-	-	-	-	-
627	-	-	-	-	-	-	-	-	-	-	-	-	-	-	-	-	-	-
684	-	-	-	-	-	-	-	-	-	-	-	-	-	-	-	-	-	-

Table 84. Unit fan performance EXV/H024

External Static Pressure																		
	0.00		0.05		0.10		0.15		0.20		0.25		0.30		0.35		0.40	
CFM	kW	RPM	kW	RPM	kW	RPM	kW	RPM	kW	RPM	kW	RPM	kW	RPM	kW	RPM	kW	RPM
509	0.023	402	0.029	454	0.035	504	0.042	552	0.049	598	0.056	642	0.063	684	0.071	724	0.079	763
532	0.025	411	0.031	463	0.038	513	0.045	560	0.052	606	0.059	649	0.067	691	0.075	731	0.083	769
570	0.029	427	0.036	478	0.043	527	0.050	574	0.057	618	0.065	661	0.073	703	0.081	742	0.090	780
608	0.034	442	0.041	492	0.048	541	0.055	587	0.063	631	0.071	674	0.080	714	0.088	753	0.097	791
646	0.039	458	0.046	507	0.054	555	0.061	601	0.070	644	0.078	686	0.087	726	0.096	765	0.105	802
684	0.045	473	0.052	522	0.060	569	0.068	614	0.076	657	0.085	699	0.094	738	0.104	776	0.114	813
722	0.051	489	0.059	538	0.067	584	0.075	628	0.084	671	0.093	711	0.103	750	0.112	788	0.123	824
760	0.058	505	0.066	553	0.074	598	0.083	642	0.092	684	0.102	724	0.111	763	0.122	800	0.132	835
798	0.065	522	0.073	568	0.082	613	0.091	656	0.101	697	0.111	737	0.121	775	0.131	811	0.142	846
836	0.073	538	0.082	584	0.091	628	0.100	670	0.110	711	0.120	750	0.131	787	0.142	823	0.153	858
912	0.091	572	0.100	616	0.110	659	0.120	699	0.131	739	0.142	776	0.153	813	0.165	848	0.177	881
	0.45		0.50		0.55		0.60		0.65		0.70		0.75		0.80		0.85	
CFM	kW	RPM	kW	RPM	kW	RPM	kW	RPM	kW	RPM	kW	RPM	kW	RPM	kW	RPM	kW	RPM
509	0.087	800	0.095	835	0.104	869	0.113	901	0.121	932	0.130	962	0.139	991	0.148	1018	0.157	1045
532	0.091	806	0.100	841	0.109	875	0.118	907	0.127	938	0.136	968	0.145	996	0.154	1024	0.164	1050
570	0.099	816	0.108	851	0.117	884	0.126	916	0.136	947	0.145	977	0.155	1005	0.165	1032	0.175	1059
608	0.106	827	0.116	861	0.125	894	0.135	926	0.145	956	0.155	986	0.166	1014	0.176	1041	0.187	1068
646	0.115	837	0.125	871	0.135	904	0.145	935	0.155	966	0.166	995	0.177	1023	0.188	1050	0.199	1076
684	0.124	848	0.134	881	0.144	914	0.155	945	0.166	975	0.177	1004	0.188	1032	0.200	1059	0.211	1085
722	0.133	859	0.144	892	0.155	924	0.166	955	0.177	984	0.189	1013	0.200	1041	0.212	1068	0.225	1094
760	0.143	869	0.154	902	0.165	934	0.177	964	0.189	994	0.201	1022	0.213	1050	0.226	1076	0.238	1102
798	0.154	880	0.165	913	0.177	944	0.189	974	0.201	1003	0.214	1031	0.227	1059	0.240	1085	0.253	1111
836	0.165	891	0.177	923	0.189	954	0.202	984	0.214	1013	0.227	1041	0.241	1068	0.254	1094	0.268	1120
912	0.189	913	0.202	945	0.215	975	0.229	1004	0.243	1032	0.257	1059	0.271	1086	0.286	1112	0.300	1137
	0.90		0.95		1.00		1.05		1.10		1.15							
CFM	kW	RPM	kW	RPM	kW	RPM	kW	RPM	kW	RPM	kW	RPM						
509	0.167	1071	0.176	1096	0.185	1120	0.195	1143	0.204	1166	0.214	1188						
532	0.173	1076	0.183	1101	0.193	1125	0.203	1148	0.212	1171	0.222	1194						
570	0.185	1085	0.195	1109	0.206	1134	0.216	1157	0.226	1180	-	-						
608	0.197	1093	0.208	1118	0.219	1142	0.230	1166	0.241	1189	-	-						
646	0.210	1102	0.221	1127	0.233	1151	0.244	1174	0.256	1198	-	-						
684	0.223	1110	0.235	1135	0.247	1159	0.259	1183	-	-	-	-						
722	0.237	1119	0.249	1144	0.262	1168	0.275	1192	-	-	-	-						
760	0.251	1128	0.264	1152	0.278	1176	0.291	1200	-	-	-	-						



Unit Fan Performance

Table 84. Unit fan performance EXV/H024 (continued)

External Static Pressure												
798	0.266	1136	0.280	1161	0.294	1185	-	-	-	-	-	-
836	0.282	1145	0.296	1169	0.311	1194	-	-	-	-	-	-

Table 85. Unit fan performance EXV/H030

External Static Pressure																		
	0.00		0.05		0.10		0.15		0.20		0.25		0.30		0.35		0.40	
CFM	kW	RPM	kW	RPM	kW	RPM	kW	RPM	kW	RPM	kW	RPM	kW	RPM	kW	RPM	kW	RPM
637	0.037	344	0.043	383	0.049	421	0.056	458	0.063	494	0.071	528	0.079	562	0.087	594	0.096	625
665	0.039	349	0.045	388	0.051	426	0.058	463	0.066	498	0.074	533	0.082	566	0.091	598	0.100	630
713	0.041	359	0.048	397	0.055	435	0.063	472	0.071	507	0.079	541	0.088	574	0.098	606	0.108	637
760	0.044	368	0.052	407	0.059	444	0.068	480	0.076	516	0.086	550	0.095	582	0.105	614	0.116	645
808	0.048	378	0.056	417	0.064	454	0.073	490	0.083	525	0.092	559	0.103	591	0.113	623	0.125	654
855	0.053	389	0.061	427	0.070	464	0.079	500	0.089	534	0.100	568	0.111	600	0.122	632	0.134	662
903	0.058	400	0.067	438	0.076	474	0.086	510	0.097	544	0.108	577	0.120	610	0.131	641	0.144	671
950	0.064	411	0.073	448	0.083	485	0.094	520	0.105	554	0.117	587	0.129	619	0.141	650	0.154	680
998	0.070	422	0.080	459	0.091	496	0.102	531	0.114	564	0.126	597	0.139	629	0.152	660	0.166	690
1045	0.077	434	0.088	471	0.099	507	0.111	541	0.124	575	0.137	607	0.150	639	0.164	669	0.178	699
1140	0.094	458	0.106	494	0.118	529	0.131	563	0.145	596	0.159	628	0.174	659	0.189	690	0.204	719
	0.45		0.50		0.55		0.60		0.65		0.70		0.75		0.80		0.85	
CFM	kW	RPM	kW	RPM	kW	RPM	kW	RPM	kW	RPM	kW	RPM	kW	RPM	kW	RPM	kW	RPM
637	0.106	656	0.115	685	0.126	714	0.136	741	0.147	768	0.158	794	0.169	819	0.180	843	0.192	867
665	0.110	660	0.120	689	0.131	718	0.141	745	0.152	772	0.164	798	0.175	823	0.187	847	0.199	870
713	0.118	667	0.129	697	0.140	725	0.151	752	0.163	779	0.175	804	0.187	829	0.199	853	0.212	876
760	0.127	675	0.138	704	0.150	732	0.161	759	0.174	786	0.186	811	0.199	836	0.212	860	0.225	883
808	0.136	683	0.148	712	0.160	740	0.173	767	0.185	793	0.199	818	0.212	843	0.225	867	0.239	890
855	0.146	692	0.158	720	0.171	748	0.184	775	0.198	801	0.211	826	0.225	850	0.239	874	0.254	897
903	0.156	700	0.170	729	0.183	756	0.197	783	0.211	809	0.225	834	0.239	858	0.254	881	0.269	904
950	0.168	709	0.181	737	0.195	765	0.210	791	0.224	817	0.239	842	0.254	866	0.269	889	0.285	912
998	0.180	718	0.194	746	0.209	773	0.223	800	0.239	825	0.254	850	0.270	874	0.286	897	0.302	919
1045	0.192	728	0.207	755	0.222	782	0.238	808	0.254	834	0.270	858	0.286	882	0.302	905	0.319	927
1140	0.220	747	0.236	774	0.252	801	0.269	826	0.286	851	0.303	875	0.321	898	0.338	921	0.356	943
	0.90		0.95		1.00		1.05		1.10		1.15		1.20		1.25		1.30	
CFM	kW	RPM	kW	RPM	kW	RPM	kW	RPM	kW	RPM	kW	RPM	kW	RPM	kW	RPM	kW	RPM
637	0.204	889	0.216	912	0.228	933	0.240	954	0.252	974	0.265	994	0.277	1013	0.289	1031	0.302	1049
665	0.211	893	0.223	915	0.236	936	0.248	957	0.261	977	0.274	997	0.286	1016	0.299	1034	0.312	1052
713	0.225	899	0.237	921	0.250	942	0.264	963	0.277	983	0.290	1003	0.303	1022	0.317	1040	0.330	1058
760	0.238	905	0.252	927	0.265	948	0.279	969	0.293	989	0.307	1008	0.321	1027	0.335	1046	0.348	1064
808	0.253	912	0.267	934	0.281	955	0.296	975	0.310	995	0.324	1015	0.339	1034	0.353	1052	0.368	1070
855	0.268	919	0.283	941	0.298	962	0.312	982	0.327	1002	0.342	1021	0.357	1040	0.372	1058	0.388	1076
903	0.284	926	0.299	948	0.315	969	0.330	989	0.346	1008	0.361	1028	0.377	1046	0.393	1064	0.408	1082
950	0.301	934	0.316	955	0.332	976	0.348	996	0.365	1015	0.381	1034	0.397	1053	0.413	1071	0.429	1089



Unit Fan Performance

Table 85. Unit fan performance EXV/H030 (continued)

	1.35		1.40		1.45		1.50		1.55		1.60		1.65		1.70		1.75	
CFM	kW	RPM	kW	RPM	kW	RPM	kW	RPM	kW	RPM	kW	RPM	kW	RPM	kW	RPM	kW	RPM
998	0.318	941	0.335	962	0.351	983	0.368	1003	0.384	1022	0.401	1041	0.418	1060	0.435	1078	0.452	1095
1045	0.336	949	0.353	970	0.370	990	0.387	1010	0.405	1029	0.422	1048	0.439	1066	0.457	1084	-	-
1140	0.374	964	0.392	985	0.411	1005	0.429	1025	-	-	-	-	-	-	-	-	-	-
637	0.314	1067	0.326	1084	0.339	1101	0.351	1118	0.363	1134	0.374	1150	0.386	1165	0.398	1180	0.409	1196
665	0.325	1070	0.337	1087	0.350	1104	0.362	1121	0.375	1137	0.387	1153	0.399	1168	0.411	1184	0.422	1199
713	0.343	1076	0.357	1093	0.370	1110	0.383	1126	0.396	1142	0.408	1158	0.421	1174	0.433	1189	-	-
760	0.362	1081	0.376	1098	0.390	1115	0.403	1132	0.417	1148	0.430	1164	0.443	1179	0.456	1194	-	-
808	0.382	1087	0.397	1104	0.411	1121	0.425	1137	0.439	1153	0.453	1169	0.467	1185	0.480	1200	-	-
855	0.403	1093	0.417	1110	0.432	1127	0.447	1143	0.462	1159	0.476	1175	0.490	1191	-	-	-	-
903	0.424	1100	0.439	1117	0.455	1133	0.470	1149	0.485	1165	-	-	-	-	-	-	-	-
950	0.446	1106	0.462	1123	0.478	1139	-	-	-	-	-	-	-	-	-	-	-	-
998	-	-	-	-	-	-	-	-	-	-	-	-	-	-	-	-	-	-
1045	-	-	-	-	-	-	-	-	-	-	-	-	-	-	-	-	-	-
1140	-	-	-	-	-	-	-	-	-	-	-	-	-	-	-	-	-	-

Table 86. Unit fan performance EXV/H036

External Static Pressure																		
	0.00		0.05		0.10		0.15		0.20		0.25		0.30		0.35		0.40	
CFM	kW	RPM	kW	RPM	kW	RPM	kW	RPM	kW	RPM	kW	RPM	kW	RPM	kW	RPM	kW	RPM
764	0.045	369	0.052	408	0.060	445	0.068	481	0.077	516	0.086	550	0.096	583	0.106	615	0.117	646
798	0.047	376	0.055	415	0.063	452	0.072	488	0.081	523	0.091	557	0.101	589	0.112	621	0.123	652
855	0.053	389	0.061	427	0.070	464	0.079	500	0.089	534	0.100	568	0.111	600	0.122	632	0.134	662
912	0.059	402	0.068	440	0.078	476	0.088	512	0.099	546	0.110	579	0.121	611	0.133	643	0.146	673
969	0.066	415	0.076	453	0.086	489	0.097	524	0.109	558	0.121	591	0.133	623	0.146	654	0.159	684
1026	0.074	429	0.085	466	0.096	502	0.108	537	0.120	571	0.132	603	0.145	635	0.159	665	0.173	695
1083	0.084	443	0.095	480	0.107	516	0.119	550	0.132	583	0.145	616	0.159	647	0.173	677	0.188	707
1140	0.094	458	0.106	494	0.118	529	0.131	563	0.145	596	0.159	628	0.174	659	0.189	690	0.204	719
1197	0.105	472	0.118	508	0.131	543	0.145	577	0.159	610	0.174	641	0.189	672	0.205	702	0.221	731
1254	0.117	487	0.131	523	0.145	557	0.160	591	0.175	623	0.190	655	0.206	685	0.223	714	0.239	743
1368	0.146	518	0.161	553	0.176	586	0.192	619	0.209	651	0.226	681	0.243	711	0.261	740	0.279	767
	0.45		0.50		0.55		0.60		0.65		0.70		0.75		0.80		0.85	
CFM	kW	RPM	kW	RPM	kW	RPM	kW	RPM	kW	RPM	kW	RPM	kW	RPM	kW	RPM	kW	RPM
764	0.127	676	0.139	705	0.150	733	0.162	760	0.175	786	0.187	812	0.200	836	0.213	860	0.226	884
798	0.134	682	0.146	710	0.158	738	0.170	765	0.183	792	0.196	817	0.209	841	0.223	865	0.236	888
855	0.146	692	0.158	720	0.171	748	0.184	775	0.198	801	0.211	826	0.225	850	0.239	874	0.254	897
912	0.159	702	0.172	730	0.185	758	0.199	784	0.213	810	0.228	835	0.242	859	0.257	883	0.272	906
969	0.172	713	0.186	741	0.200	768	0.215	795	0.230	820	0.245	845	0.260	869	0.276	892	0.292	915
1026	0.187	724	0.202	752	0.217	779	0.232	805	0.247	830	0.263	855	0.279	878	0.296	902	0.312	924
1083	0.203	735	0.218	763	0.234	790	0.250	815	0.266	840	0.283	865	0.299	888	0.316	911	0.334	933
1140	0.220	747	0.236	774	0.252	801	0.269	826	0.286	851	0.303	875	0.321	898	0.338	921	0.356	943



Unit Fan Performance

Table 86. Unit fan performance EXV/H036 (continued)

External Static Pressure																		
1197	0.238	759	0.254	786	0.272	812	0.289	837	0.307	862	0.325	885	0.343	909	0.361	931	0.380	953
1254	0.257	770	0.274	797	0.292	823	0.310	848	0.329	872	0.347	896	0.366	919	0.385	941	0.405	962
1368	0.298	794	0.317	820	0.336	846	0.356	870	0.376	894	0.396	917	0.417	939	0.437	961	0.458	982
	0.90		0.95		1.00		1.05		1.10		1.15		1.20		1.25		1.30	
CFM	kW	RPM	kW	RPM	kW	RPM	kW	RPM	kW	RPM	kW	RPM	kW	RPM	kW	RPM	kW	RPM
764	0.240	906	0.253	928	0.267	949	0.280	970	0.294	990	0.308	1009	0.322	1028	0.336	1046	0.350	1064
798	0.250	911	0.264	933	0.278	954	0.292	974	0.306	994	0.321	1013	0.335	1032	0.349	1051	0.364	1068
855	0.268	919	0.283	941	0.298	962	0.312	982	0.327	1002	0.342	1021	0.357	1040	0.372	1058	0.388	1076
912	0.287	928	0.303	949	0.318	970	0.334	990	0.349	1010	0.365	1029	0.381	1048	0.397	1066	0.412	1083
969	0.307	937	0.324	958	0.340	978	0.356	999	0.372	1018	0.389	1037	0.405	1056	0.422	1074	0.438	1091
1026	0.329	946	0.345	967	0.362	987	0.379	1007	0.396	1026	0.414	1045	0.431	1064	0.448	1082	0.465	1099
1083	0.351	955	0.368	976	0.386	996	0.404	1016	0.422	1035	0.439	1054	0.457	1072	0.475	1090	0.493	1107
1140	0.374	964	0.392	985	0.411	1005	0.429	1025	0.448	1044	0.466	1062	0.485	1080	0.503	1098	0.522	1115
1197	0.399	974	0.418	994	0.437	1014	0.456	1034	0.475	1053	0.494	1071	0.514	1089	0.533	1106	0.552	1124
1254	0.424	983	0.444	1004	0.464	1023	0.484	1043	0.503	1061	0.523	1079	0.543	1097	0.563	1115	0.583	1132
1368	0.479	1002	0.500	1022	0.521	1042	0.542	1060	0.564	1079	0.585	1097	0.607	1114	0.628	1131	-	-
	1.35		1.40		1.45		1.50		1.55		1.60		1.65		1.70			
CFM	kW	RPM	kW	RPM	kW	RPM	kW	RPM	kW	RPM	kW	RPM	kW	RPM	kW	RPM		
764	0.364	1082	0.378	1099	0.391	1116	0.405	1132	0.419	1148	0.432	1164	0.445	1180	0.458	1195		
798	0.378	1086	0.392	1103	0.406	1120	0.420	1136	0.434	1152	0.448	1168	0.462	1184	0.475	1199		
855	0.403	1093	0.417	1110	0.432	1127	0.447	1143	0.462	1159	0.476	1175	0.490	1191	-	-		
912	0.428	1101	0.444	1118	0.459	1134	0.475	1151	0.490	1167	0.505	1182	0.520	1198	-	-		
969	0.455	1108	0.471	1125	0.487	1142	0.503	1158	0.519	1174	0.535	1190	-	-	-	-		
1026	0.482	1116	0.499	1133	0.516	1150	0.533	1166	0.550	1182	0.566	1197	-	-	-	-		
1083	0.511	1124	0.528	1141	0.546	1157	0.564	1173	0.581	1189	-	-	-	-	-	-		
1140	0.540	1132	0.559	1149	0.577	1165	0.595	1181	-	-	-	-	-	-	-	-		
1197	0.571	1140	0.590	1157	0.609	1173	0.628	1189	-	-	-	-	-	-	-	-		
1254	0.603	1148	0.623	1165	0.643	1181	0.663	1196	-	-	-	-	-	-	-	-		
1368	-	-	-	-	-	-	-	-	-	-	-	-	-	-	-	-		

Table 87. Unit fan performance EXV/H042

External Static Pressure																		
	0.00		0.05		0.10		0.15		0.20		0.25		0.30		0.35		0.40	
CFM	kW	RPM	kW	RPM	kW	RPM	kW	RPM	kW	RPM	kW	RPM	kW	RPM	kW	RPM	kW	RPM
891	0.116	444	0.121	461	0.126	480	0.132	502	0.138	525	0.145	549	0.152	575	0.159	601	0.167	628
931	0.116	447	0.121	464	0.127	484	0.134	505	0.141	528	0.148	553	0.156	578	0.164	605	0.172	632
998	0.116	454	0.123	471	0.130	490	0.138	512	0.145	535	0.154	559	0.163	585	0.172	611	0.181	638
1064	0.118	461	0.126	478	0.134	497	0.143	519	0.152	542	0.161	566	0.171	592	0.181	618	0.192	646
1131	0.122	469	0.130	486	0.140	505	0.149	527	0.159	550	0.170	574	0.180	600	0.192	627	0.203	654
1197	0.126	478	0.136	495	0.146	514	0.157	535	0.168	558	0.179	583	0.191	609	0.203	635	0.216	662
1264	0.132	487	0.143	504	0.154	523	0.166	544	0.178	568	0.190	592	0.203	618	0.217	644	0.230	671

Table 87. Unit fan performance EXV/H042 (continued)

External Static Pressure																		
1330	0.139	496	0.151	513	0.163	532	0.176	554	0.189	577	0.203	601	0.216	627	0.231	653	0.246	680
1397	0.148	505	0.161	522	0.174	541	0.188	563	0.202	586	0.216	610	0.231	636	0.247	663	0.263	690
1463	0.157	514	0.171	531	0.185	550	0.200	572	0.215	595	0.231	619	0.247	645	0.263	671	0.280	698
1596	0.180	530	0.196	547	0.213	566	0.229	588	0.247	611	0.264	635	0.282	661	0.301	688	0.320	715
	0.45		0.50		0.55		0.60		0.65		0.70		0.75		0.80		0.85	
CFM	kW	RPM	kW	RPM	kW	RPM	kW	RPM	kW	RPM	kW	RPM	kW	RPM	kW	RPM	kW	RPM
891	0.176	656	0.185	684	0.194	711	0.204	739	0.214	766	0.224	793	0.236	819	0.247	845	0.259	869
931	0.181	659	0.191	687	0.201	715	0.211	742	0.222	770	0.233	796	0.245	823	0.257	848	0.269	873
998	0.192	666	0.202	694	0.213	721	0.224	749	0.236	776	0.248	803	0.261	829	0.274	855	0.288	879
1064	0.203	673	0.214	701	0.226	728	0.239	756	0.252	783	0.265	810	0.279	836	0.293	862	0.307	887
1131	0.216	681	0.228	709	0.241	737	0.255	764	0.269	791	0.283	818	0.298	844	0.313	870	0.328	895
1197	0.229	690	0.243	717	0.257	745	0.272	773	0.286	800	0.302	827	0.318	853	0.334	878	0.351	903
1264	0.245	699	0.259	726	0.274	754	0.290	782	0.306	809	0.322	836	0.339	862	0.356	887	0.374	912
1330	0.261	708	0.277	736	0.293	763	0.309	791	0.326	818	0.344	845	0.362	871	0.380	897	0.399	921
1397	0.279	717	0.296	745	0.313	773	0.330	800	0.348	827	0.367	854	0.386	880	0.405	906	0.425	931
1463	0.298	726	0.315	754	0.334	781	0.352	809	0.371	836	0.391	863	0.411	889	0.431	915	0.452	939
1596	0.339	742	0.359	770	0.380	798	0.400	825	0.421	852	0.443	879	0.465	905	0.487	931	0.510	956
	0.90		0.95		1.00		1.05		1.10		1.15		1.20		1.25		1.30	
CFM	kW	RPM	kW	RPM	kW	RPM	kW	RPM	kW	RPM	kW	RPM	kW	RPM	kW	RPM	kW	RPM
891	0.271	893	0.284	916	0.297	939	0.311	960	0.325	980	0.339	1000	0.354	1018	0.370	1036	0.386	1053
931	0.282	897	0.296	920	0.310	942	0.324	963	0.338	984	0.354	1003	0.369	1022	0.385	1040	0.402	1057
998	0.302	903	0.316	926	0.331	949	0.347	970	0.362	990	0.378	1010	0.395	1028	0.412	1046	0.430	1063
1064	0.322	910	0.338	934	0.354	956	0.370	977	0.387	997	0.404	1017	0.422	1036	0.440	1053	0.458	1071
1131	0.345	919	0.361	942	0.378	964	0.395	985	0.413	1005	0.431	1025	0.450	1044	0.469	1061	0.489	1079
1197	0.368	927	0.385	950	0.403	972	0.422	994	0.440	1014	0.460	1033	0.479	1052	0.500	1070	0.520	1087
1264	0.392	936	0.411	959	0.430	981	0.449	1003	0.469	1023	0.490	1043	0.510	1061	0.532	1079	0.553	1096
1330	0.418	945	0.438	968	0.458	991	0.478	1012	0.499	1032	0.520	1052	0.542	1070	0.564	1088	0.587	1105
1397	0.445	955	0.466	978	0.487	1000	0.508	1021	0.530	1041	0.553	1061	0.576	1080	0.599	1097	0.623	1115
1463	0.473	963	0.495	987	0.517	1009	0.540	1030	0.563	1050	0.586	1070	0.610	1088	0.634	1106	0.659	1123
1596	0.534	980	0.557	1003	0.582	1025	0.606	1046	0.631	1066	0.657	1086	-	-	-	-	-	-
	1.35		1.40		1.45		1.50		1.55		1.60		1.65		1.70		1.75	
CFM	kW	RPM	kW	RPM	kW	RPM	kW	RPM	kW	RPM	kW	RPM	kW	RPM	kW	RPM	kW	RPM
891	0.402	1070	0.419	1086	0.436	1102	0.453	1117	0.471	1132	0.490	1148	0.508	1164	0.528	1180	0.548	1197
931	0.419	1073	0.436	1089	0.454	1105	0.472	1120	0.490	1136	0.509	1151	0.529	1167	0.549	1183	0.569	1200
998	0.448	1080	0.466	1096	0.485	1111	0.504	1127	0.524	1142	0.544	1158	0.564	1173	0.585	1190	-	-
1064	0.477	1087	0.497	1103	0.517	1119	0.537	1134	0.557	1149	0.579	1165	0.600	1181	0.622	1197	-	-
1131	0.509	1095	0.529	1111	0.550	1127	0.571	1142	0.593	1157	0.615	1173	0.638	1189	-	-	-	-
1197	0.541	1104	0.563	1120	0.585	1135	0.607	1151	0.630	1166	0.653	1181	0.676	1197	-	-	-	-
1264	0.575	1113	0.598	1129	0.621	1144	0.644	1160	0.668	1175	0.692	1191	-	-	-	-	-	-
1330	0.610	1122	0.634	1138	0.658	1154	0.682	1169	0.707	1184	0.732	1200	-	-	-	-	-	-
1397	0.647	1131	0.671	1147	0.696	1163	0.722	1178	-	-	-	-	-	-	-	-	-	-



Unit Fan Performance

Table 87. Unit fan performance EXV/H042 (continued)

External Static Pressure																		
1463	0.684	1140	-	-	-	-	-	-	-	-	-	-	-	-	-	-	-	-
1596	-	-	-	-	-	-	-	-	-	-	-	-	-	-	-	-	-	-

Table 88. Unit fan performance EXV/H048

External Static Pressure																		
	0.00		0.05		0.10		0.15		0.20		0.25		0.30		0.35		0.40	
CFM	kW	RPM	kW	RPM	kW	RPM	kW	RPM	kW	RPM	kW	RPM	kW	RPM	kW	RPM	kW	RPM
1018	0.117	456	0.124	473	0.131	492	0.139	514	0.147	537	0.156	561	0.165	587	0.174	613	0.184	640
1064	0.118	461	0.126	478	0.134	497	0.143	519	0.152	542	0.161	566	0.171	592	0.181	618	0.192	646
1140	0.122	470	0.131	487	0.140	507	0.150	528	0.160	551	0.171	576	0.182	601	0.193	628	0.205	655
1216	0.128	480	0.138	497	0.148	517	0.159	538	0.170	561	0.182	585	0.194	611	0.207	638	0.220	665
1292	0.135	491	0.146	508	0.158	527	0.170	548	0.182	571	0.195	596	0.209	622	0.223	648	0.237	675
1368	0.144	501	0.156	518	0.169	537	0.182	559	0.196	582	0.210	606	0.225	632	0.240	659	0.255	686
1444	0.154	511	0.168	528	0.182	548	0.196	569	0.211	592	0.227	617	0.242	642	0.258	669	0.275	696
1520	0.167	521	0.181	538	0.197	558	0.212	579	0.228	602	0.245	627	0.262	652	0.279	679	0.297	706
1596	0.180	530	0.196	547	0.213	566	0.229	588	0.247	611	0.264	635	0.282	661	0.301	688	0.320	715
1672	0.196	538	0.213	555	0.231	574	0.249	595	0.267	619	0.286	643	0.305	669	0.325	695	0.345	722
1824	0.232	548	0.251	565	0.271	585	0.292	606	0.312	629	0.334	654	0.355	679	0.377	706	0.400	733
	0.45		0.50		0.55		0.60		0.65		0.70		0.75		0.80		0.85	
CFM	kW	RPM	kW	RPM	kW	RPM	kW	RPM	kW	RPM	kW	RPM	kW	RPM	kW	RPM	kW	RPM
1018	0.195	668	0.206	696	0.217	723	0.229	751	0.241	778	0.253	805	0.266	831	0.280	857	0.294	881
1064	0.203	673	0.214	701	0.226	728	0.239	756	0.252	783	0.265	810	0.279	836	0.293	862	0.307	887
1140	0.217	682	0.230	710	0.243	738	0.257	765	0.271	792	0.285	819	0.300	845	0.316	871	0.331	896
1216	0.234	692	0.247	720	0.262	748	0.277	775	0.292	802	0.308	829	0.324	855	0.340	881	0.357	906
1292	0.251	703	0.267	730	0.282	758	0.298	786	0.314	813	0.331	840	0.349	866	0.366	891	0.384	916
1368	0.271	713	0.287	741	0.304	769	0.321	796	0.339	823	0.357	850	0.375	876	0.394	902	0.413	927
1444	0.292	723	0.310	751	0.327	779	0.346	806	0.365	834	0.384	860	0.403	887	0.424	912	0.444	937
1520	0.315	733	0.334	761	0.353	789	0.372	816	0.392	843	0.413	870	0.433	896	0.455	922	0.476	947
1596	0.339	742	0.359	770	0.380	798	0.400	825	0.421	852	0.443	879	0.465	905	0.487	931	0.510	956
1672	0.366	750	0.387	777	0.408	805	0.430	833	0.452	860	0.475	887	0.498	913	0.522	938	0.546	963
1824	0.423	760	0.446	788	0.470	816	0.494	843	0.519	871	0.544	897	0.570	924	0.596	949	0.622	974
	0.90		0.95		1.00		1.05		1.10		1.15		1.20		1.25		1.30	
CFM	kW	RPM	kW	RPM	kW	RPM	kW	RPM	kW	RPM	kW	RPM	kW	RPM	kW	RPM	kW	RPM
1018	0.308	905	0.323	928	0.338	951	0.354	972	0.370	992	0.386	1012	0.403	1030	0.420	1048	0.438	1065
1064	0.322	910	0.338	934	0.354	956	0.370	977	0.387	997	0.404	1017	0.422	1036	0.440	1053	0.458	1071
1140	0.348	920	0.364	943	0.381	965	0.399	986	0.417	1007	0.435	1026	0.454	1045	0.473	1063	0.493	1080
1216	0.375	930	0.392	953	0.411	975	0.429	996	0.448	1017	0.468	1036	0.488	1055	0.509	1073	0.529	1090
1292	0.403	940	0.422	963	0.442	985	0.461	1007	0.482	1027	0.503	1046	0.524	1065	0.545	1083	0.567	1100
1368	0.433	951	0.453	974	0.474	996	0.495	1017	0.517	1037	0.539	1057	0.561	1076	0.584	1093	0.607	1111
1444	0.465	961	0.486	984	0.508	1006	0.531	1027	0.553	1048	0.576	1067	0.600	1086	0.624	1104	0.648	1121
1520	0.499	971	0.521	994	0.544	1016	0.568	1037	0.591	1058	0.616	1077	0.641	1096	0.666	1114	0.691	1131

Table 88. Unit fan performance EXV/H048 (continued)

1596	0.534	980	0.557	1003	0.582	1025	0.606	1046	0.631	1066	0.657	1086	0.683	1105	0.709	1122	0.736	1140
1672	0.571	987	0.595	1010	0.621	1032	0.647	1054	0.673	1074	0.700	1094	0.727	1112	0.754	1130	0.782	1147
1824	0.649	998	0.676	1021	0.704	1043	0.732	1064	0.761	1085	0.790	1104	-	-	-	-	-	-
	1.35		1.40		1.45		1.50		1.55		1.60		1.65		1.70			
CFM	kW	RPM	kW	RPM	kW	RPM	kW	RPM	kW	RPM	kW	RPM	kW	RPM	kW	RPM		
1018	0.456	1082	0.475	1098	0.494	1114	0.514	1129	0.534	1144	0.554	1160	0.575	1176	0.596	1192		
1064	0.477	1087	0.497	1103	0.517	1119	0.537	1134	0.557	1149	0.579	1165	0.600	1181	0.622	1197		
1140	0.513	1096	0.534	1112	0.555	1128	0.576	1143	0.598	1159	0.620	1174	0.643	1190	-	-		
1216	0.551	1106	0.572	1122	0.595	1138	0.617	1153	0.640	1169	0.664	1184	0.688	1200	-	-		
1292	0.590	1117	0.613	1133	0.636	1148	0.660	1164	0.684	1179	0.709	1194	-	-	-	-		
1368	0.631	1127	0.655	1143	0.679	1159	0.704	1174	0.730	1190	-	-	-	-	-	-		
1444	0.673	1137	0.699	1153	0.724	1169	0.751	1185	0.777	1200	-	-	-	-	-	-		
1520	0.717	1147	0.744	1163	0.771	1179	0.798	1194	-	-	-	-	-	-	-	-		
1596	0.763	1156	0.791	1172	0.819	1188	-	-	-	-	-	-	-	-	-	-		
1672	0.811	1164	0.840	1180	0.869	1195	-	-	-	-	-	-	-	-	-	-		
1824	-	-	-	-	-	-	-	-	-	-	-	-	-	-	-	-		

Table 89. Unit fan performance EXV/H060

External Static Pressure																		
	0.00		0.05		0.10		0.15		0.20		0.25		0.30		0.35		0.40	
CFM	kW	RPM	kW	RPM	kW	RPM	kW	RPM	kW	RPM	kW	RPM	kW	RPM	kW	RPM	kW	RPM
1273	0.077	436	0.092	472	0.108	506	0.124	539	0.140	571	0.155	602	0.171	632	0.187	661	0.203	689
1330	0.089	451	0.105	485	0.121	519	0.137	551	0.153	582	0.170	613	0.186	642	0.202	671	0.218	698
1425	0.113	475	0.129	508	0.146	540	0.163	572	0.179	602	0.196	631	0.212	660	0.229	687	0.246	714
1520	0.140	499	0.157	531	0.174	562	0.191	592	0.208	621	0.225	650	0.243	677	0.260	704	0.278	729
1615	0.171	524	0.188	554	0.205	584	0.223	613	0.241	641	0.259	668	0.276	695	0.294	720	0.313	745
1710	0.205	548	0.223	578	0.241	606	0.259	634	0.277	661	0.295	687	0.314	713	0.333	738	0.352	762
1805	0.243	573	0.262	601	0.280	629	0.299	656	0.318	682	0.336	707	0.356	731	0.375	755	0.394	778
1900	0.286	598	0.305	625	0.324	652	0.343	678	0.362	703	0.382	727	0.401	750	0.421	773	0.441	796
1995	0.334	624	0.353	650	0.372	676	0.392	700	0.411	724	0.431	747	0.452	770	0.472	792	0.493	814
2090	0.386	651	0.405	676	0.425	700	0.445	723	0.465	746	0.486	769	0.507	791	0.528	812	0.549	833
2280	0.505	706	0.525	729	0.546	751	0.567	773	0.588	794	0.610	814	0.632	834	0.654	854	0.677	873
	0.45		0.50		0.55		0.60		0.65		0.70		0.75		0.80		0.85	
CFM	kW	RPM	kW	RPM	kW	RPM	kW	RPM	kW	RPM	kW	RPM	kW	RPM	kW	RPM	kW	RPM
1273	0.218	716	0.234	743	0.250	769	0.267	794	0.283	818	0.299	841	0.316	864	0.333	886	0.350	908
1330	0.234	725	0.251	751	0.267	776	0.284	801	0.301	825	0.318	848	0.335	870	0.352	892	0.370	913
1425	0.263	740	0.280	765	0.298	789	0.315	813	0.333	836	0.350	859	0.368	881	0.387	902	0.405	923
1520	0.295	755	0.313	779	0.331	803	0.349	826	0.368	848	0.386	870	0.405	891	0.425	912	0.444	932
1615	0.331	770	0.350	793	0.368	816	0.387	838	0.407	860	0.426	881	0.446	902	0.466	922	0.486	942
1710	0.371	785	0.390	808	0.409	830	0.429	851	0.449	873	0.470	893	0.490	913	0.511	933	0.532	952
1805	0.414	801	0.434	823	0.454	844	0.475	865	0.496	886	0.517	906	0.538	925	0.560	945	0.582	964
1900	0.462	817	0.483	839	0.504	859	0.525	880	0.547	900	0.568	919	0.591	938	0.614	957	0.637	975



Unit Fan Performance

Table 89. Unit fan performance EXV/H060 (continued)

External Static Pressure																		
1995	0.514	835	0.536	855	0.557	875	0.579	895	0.602	914	0.624	933	0.648	952	0.671	970	0.695	988
2090	0.571	853	0.593	873	0.616	892	0.638	911	0.662	930	0.685	948	0.709	966	0.734	984	0.759	1002
2280	0.700	892	0.723	910	0.747	929	0.771	946	0.796	964	0.821	981	0.847	999	0.873	1016	0.900	1033
	0.90		0.95		1.00		1.05		1.10		1.15		1.20		1.25		1.30	
CFM	kW	RPM	kW	RPM	kW	RPM	kW	RPM	kW	RPM	kW	RPM	kW	RPM	kW	RPM	kW	RPM
1273	0.367	929	0.384	950	0.402	970	0.420	989	0.438	1008	0.457	1027	0.476	1046	0.495	1064	0.514	1082
1330	0.387	934	0.405	955	0.424	974	0.442	994	0.461	1013	0.480	1031	0.500	1050	0.520	1068	0.540	1085
1425	0.424	943	0.443	963	0.462	982	0.482	1001	0.502	1020	0.522	1038	0.543	1056	0.564	1074	0.585	1092
1520	0.464	952	0.484	971	0.504	990	0.525	1009	0.546	1028	0.567	1046	0.589	1064	0.611	1081	0.634	1099
1615	0.507	961	0.528	980	0.549	999	0.571	1018	0.593	1036	0.616	1054	0.639	1071	0.662	1089	0.686	1107
1710	0.554	971	0.576	990	0.598	1009	0.621	1027	0.644	1045	0.668	1062	0.692	1080	0.716	1097	0.741	1115
1805	0.605	982	0.628	1000	0.651	1019	0.675	1036	0.699	1054	0.724	1072	0.749	1089	0.775	1107	0.801	1124
1900	0.660	994	0.684	1012	0.708	1029	0.733	1047	0.759	1065	0.784	1082	0.811	1099	0.837	1117	0.865	1134
1995	0.720	1006	0.745	1024	0.770	1041	0.796	1059	0.822	1076	0.849	1093	0.876	1111	0.904	1128	0.933	1145
2090	0.784	1019	0.810	1037	0.836	1054	0.863	1071	0.890	1088	0.918	1106	0.947	1123	0.976	1140	1.006	1158
2280	0.927	1050	0.955	1066	0.983	1083	1.012	1100	1.042	1117	-	-	-	-	-	-	-	-
	1.35		1.40		1.45		1.50		1.55		1.60							
CFM	kW	RPM	kW	RPM	kW	RPM	kW	RPM	kW	RPM	kW	RPM						
1273	0.534	1099	0.554	1116	0.575	1134	0.596	1151	0.617	1167	0.639	1184						
1330	0.561	1103	0.582	1120	0.603	1137	0.625	1154	0.647	1171	0.670	1188						
1425	0.607	1109	0.629	1127	0.652	1144	0.675	1161	0.699	1178	0.723	1195						
1520	0.657	1116	0.680	1134	0.704	1151	0.729	1168	0.754	1185	-	-						
1615	0.710	1124	0.735	1141	0.760	1159	0.786	1176	0.812	1193	-	-						
1710	0.767	1132	0.793	1150	0.819	1167	0.847	1184	-	-	-	-						
1805	0.828	1141	0.855	1159	0.883	1176	0.911	1194	-	-	-	-						
1900	0.893	1152	0.921	1169	0.950	1187	-	-	-	-	-	-						
1995	0.962	1163	0.992	1180	1.022	1198	-	-	-	-	-	-						
2090	1.036	1175	1.067	1193	-	-	-	-	-	-	-	-						
2280	-	-	-	-	-	-	-	-	-	-	-	-						

Table 90. Unit fan performance EXV/H070

External Static Pressure																		
	0.00		0.05		0.10		0.15		0.20		0.25		0.30		0.35		0.40	
CFM	kW	RPM	kW	RPM	kW	RPM	kW	RPM	kW	RPM	kW	RPM	kW	RPM	kW	RPM	kW	RPM
1484	0.129	490	0.146	523	0.163	554	0.180	584	0.197	614	0.214	643	0.231	670	0.248	697	0.265	724
1551	0.149	507	0.167	539	0.184	569	0.201	599	0.218	628	0.236	656	0.253	683	0.271	709	0.289	735
1661	0.187	535	0.204	566	0.222	595	0.240	623	0.258	651	0.276	678	0.294	703	0.312	729	0.331	753
1772	0.230	564	0.248	593	0.266	621	0.285	648	0.303	674	0.322	700	0.341	725	0.360	749	0.379	772
1883	0.278	594	0.297	621	0.316	648	0.335	674	0.354	699	0.373	723	0.393	747	0.413	770	0.433	792
1994	0.333	624	0.352	650	0.372	675	0.391	700	0.411	724	0.431	747	0.451	770	0.472	792	0.492	813
2104	0.394	655	0.413	679	0.433	704	0.453	727	0.474	750	0.494	772	0.515	794	0.536	815	0.558	835
2215	0.462	687	0.482	710	0.502	733	0.523	755	0.544	777	0.565	798	0.587	819	0.609	839	0.631	859

Table 90. Unit fan performance EXV/H070 (continued)

External Static Pressure																		
2326	0.537	720	0.557	742	0.578	764	0.600	785	0.621	806	0.643	826	0.665	846	0.688	865	0.711	884
2437	0.620	755	0.641	776	0.662	797	0.684	817	0.706	836	0.728	855	0.751	874	0.775	892	0.798	910
2658	0.808	829	-	-	-	-	-	-	-	-	-	-	-	-	-	-	-	-
	0.45		0.50		0.55		0.60		0.65		0.70		0.75		0.80		0.85	
CFM	kW	RPM	kW	RPM	kW	RPM	kW	RPM	kW	RPM	kW	RPM	kW	RPM	kW	RPM	kW	RPM
1484	0.283	749	0.300	774	0.318	797	0.336	821	0.354	843	0.372	865	0.391	887	0.410	908	0.429	928
1551	0.307	759	0.325	783	0.343	807	0.361	830	0.380	852	0.399	873	0.418	895	0.438	915	0.457	935
1661	0.350	777	0.369	800	0.388	823	0.407	845	0.427	866	0.447	887	0.467	907	0.487	927	0.508	947
1772	0.399	795	0.418	818	0.438	839	0.459	860	0.479	881	0.500	901	0.521	921	0.543	941	0.565	960
1883	0.453	814	0.474	836	0.494	857	0.516	877	0.537	897	0.559	917	0.581	936	0.604	955	0.627	973
1994	0.514	834	0.535	855	0.557	875	0.579	895	0.601	914	0.624	933	0.647	952	0.671	970	0.695	988
2104	0.580	856	0.602	875	0.625	895	0.647	913	0.671	932	0.695	950	0.719	968	0.743	986	0.768	1004
2215	0.653	878	0.676	897	0.700	916	0.724	934	0.748	952	0.772	969	0.798	987	0.823	1004	0.849	1022
2326	0.734	902	0.758	920	0.782	938	0.807	956	0.832	973	0.858	990	0.884	1007	0.910	1024	0.937	1041
2437	0.822	928	0.847	945	0.872	962	0.898	979	0.923	996	0.950	1013	-	-	-	-	-	-
2658	-	-	-	-	-	-	-	-	-	-	-	-	-	-	-	-	-	-
	0.90		0.95		1.00		1.05		1.10		1.15		1.20		1.25		1.30	
CFM	kW	RPM	kW	RPM	kW	RPM	kW	RPM	kW	RPM	kW	RPM	kW	RPM	kW	RPM	kW	RPM
1484	0.448	948	0.468	968	0.488	987	0.508	1006	0.529	1025	0.550	1043	0.571	1061	0.593	1079	0.615	1096
1551	0.477	955	0.498	974	0.518	993	0.539	1012	0.561	1030	0.583	1048	0.605	1066	0.627	1084	0.650	1101
1661	0.529	966	0.551	985	0.573	1004	0.595	1022	0.617	1040	0.640	1058	0.664	1076	0.688	1093	0.712	1111
1772	0.587	978	0.609	997	0.632	1015	0.656	1033	0.680	1051	0.704	1068	0.729	1086	0.754	1103	0.780	1121
1883	0.650	991	0.674	1010	0.698	1027	0.723	1045	0.748	1063	0.773	1080	0.799	1098	0.826	1115	0.853	1132
1994	0.719	1006	0.744	1024	0.769	1041	0.795	1058	0.821	1076	0.848	1093	0.876	1110	0.904	1128	0.932	1145
2104	0.794	1021	0.820	1039	0.846	1056	0.873	1073	0.901	1090	0.929	1108	0.958	1125	0.987	1142	1.017	1159
2215	0.876	1039	0.903	1056	0.931	1073	0.959	1090	0.988	1107	1.017	1124	1.047	1141	1.077	1158	-	-
2326	0.965	1058	0.993	1074	1.022	1091	-	-	-	-	-	-	-	-	-	-	-	-
2437	-	-	-	-	-	-	-	-	-	-	-	-	-	-	-	-	-	-
2658	-	-	-	-	-	-	-	-	-	-	-	-	-	-	-	-	-	-
	1.35		1.40		1.45		1.50		1.55		1.60							
CFM	kW	RPM	kW	RPM	kW	RPM	kW	RPM	kW	RPM	kW	RPM						
1484	0.638	1114	0.661	1131	0.684	1148	0.708	1165	0.732	1182	0.757	1200						
1551	0.674	1119	0.698	1136	0.722	1153	0.747	1171	0.772	1188	-	-						
1661	0.737	1128	0.762	1145	0.788	1163	0.815	1180	0.842	1197	-	-						
1772	0.806	1138	0.833	1156	0.860	1173	0.888	1191	-	-	-	-						
1883	0.881	1150	0.909	1167	0.938	1185	-	-	-	-	-	-						
1994	0.961	1163	0.991	1180	1.021	1198	-	-	-	-	-	-						
2104	1.047	1177	1.078	1195	-	-	-	-	-	-	-	-						
2215	-	-	-	-	-	-	-	-	-	-	-	-						
2326	-	-	-	-	-	-	-	-	-	-	-	-						



Unit Fan Performance

Table 90. Unit fan performance EXV/H070 (continued)

External Static Pressure												
2437	-	-	-	-	-	-	-	-	-	-	-	-
2658	-	-	-	-	-	-	-	-	-	-	-	-

Table 91. Unit fan performance DXV/H024

External Static Pressure																		
	0.00		0.05		0.10		0.15		0.20		0.25		0.30		0.35		0.40	
CFM	kW	RPM	kW	RPM	kW	RPM	kW	RPM	kW	RPM	kW	RPM	kW	RPM	kW	RPM	kW	RPM
509	0.023	402	0.029	454	0.035	504	0.042	552	0.049	598	0.056	642	0.063	684	0.071	724	0.079	763
532	0.025	411	0.031	463	0.038	513	0.045	560	0.052	606	0.059	649	0.067	691	0.075	731	0.083	769
570	0.029	427	0.036	478	0.043	527	0.050	574	0.057	618	0.065	661	0.073	703	0.081	742	0.090	780
608	0.034	442	0.041	492	0.048	541	0.055	587	0.063	631	0.071	674	0.080	714	0.088	753	0.097	791
646	0.039	458	0.046	507	0.054	555	0.061	601	0.070	644	0.078	686	0.087	726	0.096	765	0.105	802
684	0.045	473	0.052	522	0.060	569	0.068	614	0.076	657	0.085	699	0.094	738	0.104	776	0.114	813
722	0.051	489	0.059	538	0.067	584	0.075	628	0.084	671	0.093	711	0.103	750	0.112	788	0.123	824
760	0.058	505	0.066	553	0.074	598	0.083	642	0.092	684	0.102	724	0.111	763	0.122	800	0.132	835
798	0.065	522	0.073	568	0.082	613	0.091	656	0.101	697	0.111	737	0.121	775	0.131	811	0.142	846
836	0.073	538	0.082	584	0.091	628	0.100	670	0.110	711	0.120	750	0.131	787	0.142	823	0.153	858
912	0.091	572	0.100	616	0.110	659	0.120	699	0.131	739	0.142	776	0.153	813	0.165	848	0.177	881
	0.45		0.50		0.55		0.60		0.65		0.70		0.75		0.80		0.85	
CFM	kW	RPM	kW	RPM	kW	RPM	kW	RPM	kW	RPM	kW	RPM	kW	RPM	kW	RPM	kW	RPM
509	0.087	800	0.095	835	0.104	869	0.113	901	0.121	932	0.130	962	0.139	991	0.148	1018	0.157	1045
532	0.091	806	0.100	841	0.109	875	0.118	907	0.127	938	0.136	968	0.145	996	0.154	1024	0.164	1050
570	0.099	816	0.108	851	0.117	884	0.126	916	0.136	947	0.145	977	0.155	1005	0.165	1032	0.175	1059
608	0.106	827	0.116	861	0.125	894	0.135	926	0.145	956	0.155	986	0.166	1014	0.176	1041	0.187	1068
646	0.115	837	0.125	871	0.135	904	0.145	935	0.155	966	0.166	995	0.177	1023	0.188	1050	0.199	1076
684	0.124	848	0.134	881	0.144	914	0.155	945	0.166	975	0.177	1004	0.188	1032	0.200	1059	0.211	1085
722	0.133	859	0.144	892	0.155	924	0.166	955	0.177	984	0.189	1013	0.200	1041	0.212	1068	0.225	1094
760	0.143	869	0.154	902	0.165	934	0.177	964	0.189	994	0.201	1022	0.213	1050	0.226	1076	0.238	1102
798	0.154	880	0.165	913	0.177	944	0.189	974	0.201	1003	0.214	1031	0.227	1059	0.240	1085	0.253	1111
836	0.165	891	0.177	923	0.189	954	0.202	984	0.214	1013	0.227	1041	0.241	1068	0.254	1094	0.268	1120
912	0.189	913	0.202	945	0.215	975	0.229	1004	0.243	1032	0.257	1059	0.271	1086	0.286	1112	0.300	1137
	0.90		0.95		1.00		1.05		1.10		1.15							
CFM	kW	RPM	kW	RPM	kW	RPM	kW	RPM	kW	RPM	kW	RPM						
509	0.167	1071	0.176	1096	0.185	1120	0.195	1143	0.204	1166	0.214	1188						
532	0.173	1076	0.183	1101	0.193	1125	0.203	1148	0.212	1171	0.222	1194						
570	0.185	1085	0.195	1109	0.206	1134	0.216	1157	0.226	1180	-	-						
608	0.197	1093	0.208	1118	0.219	1142	0.230	1166	0.241	1189	-	-						
646	0.210	1102	0.221	1127	0.233	1151	0.244	1174	0.256	1198	-	-						
684	0.223	1110	0.235	1135	0.247	1159	0.259	1183	-	-	-	-						
722	0.237	1119	0.249	1144	0.262	1168	0.275	1192	-	-	-	-						
760	0.251	1128	0.264	1152	0.278	1176	0.291	1200	-	-	-	-						

Table 91. Unit fan performance DXV/H024 (continued)

External Static Pressure												
798	0.266	1136	0.280	1161	0.294	1185	-	-	-	-	-	-
836	0.282	1145	0.296	1169	0.311	1194	-	-	-	-	-	-
912	0.316	1162	0.331	1187	-	-	-	-	-	-	-	-

Table 92. Unit fan performance DXV/H036

External Static Pressure																		
	0.00		0.05		0.10		0.15		0.20		0.25		0.30		0.35		0.40	
CFM	kW	RPM	kW	RPM	kW	RPM	kW	RPM	kW	RPM	kW	RPM	kW	RPM	kW	RPM	kW	RPM
764	0.045	369	0.052	408	0.060	445	0.068	481	0.077	516	0.086	550	0.096	583	0.106	615	0.117	646
798	0.047	376	0.055	415	0.063	452	0.072	488	0.081	523	0.091	557	0.101	589	0.112	621	0.123	652
855	0.053	389	0.061	427	0.070	464	0.079	500	0.089	534	0.100	568	0.111	600	0.122	632	0.134	662
912	0.059	402	0.068	440	0.078	476	0.088	512	0.099	546	0.110	579	0.121	611	0.133	643	0.146	673
969	0.066	415	0.076	453	0.086	489	0.097	524	0.109	558	0.121	591	0.133	623	0.146	654	0.159	684
1026	0.074	429	0.085	466	0.096	502	0.108	537	0.120	571	0.132	603	0.145	635	0.159	665	0.173	695
1083	0.084	443	0.095	480	0.107	516	0.119	550	0.132	583	0.145	616	0.159	647	0.173	677	0.188	707
1140	0.094	458	0.106	494	0.118	529	0.131	563	0.145	596	0.159	628	0.174	659	0.189	690	0.204	719
1197	0.105	472	0.118	508	0.131	543	0.145	577	0.159	610	0.174	641	0.189	672	0.205	702	0.221	731
1254	0.117	487	0.131	523	0.145	557	0.160	591	0.175	623	0.190	655	0.206	685	0.223	714	0.239	743
1368	0.146	518	0.161	553	0.176	586	0.192	619	0.209	651	0.226	681	0.243	711	0.261	740	0.279	767
	0.45		0.50		0.55		0.60		0.65		0.70		0.75		0.80		0.85	
CFM	kW	RPM	kW	RPM	kW	RPM	kW	RPM	kW	RPM	kW	RPM	kW	RPM	kW	RPM	kW	RPM
764	0.127	676	0.139	705	0.150	733	0.162	760	0.175	786	0.187	812	0.200	836	0.213	860	0.226	884
798	0.134	682	0.146	710	0.158	738	0.170	765	0.183	792	0.196	817	0.209	841	0.223	865	0.236	888
855	0.146	692	0.158	720	0.171	748	0.184	775	0.198	801	0.211	826	0.225	850	0.239	874	0.254	897
912	0.159	702	0.172	730	0.185	758	0.199	784	0.213	810	0.228	835	0.242	859	0.257	883	0.272	906
969	0.172	713	0.186	741	0.200	768	0.215	795	0.230	820	0.245	845	0.260	869	0.276	892	0.292	915
1026	0.187	724	0.202	752	0.217	779	0.232	805	0.247	830	0.263	855	0.279	878	0.296	902	0.312	924
1083	0.203	735	0.218	763	0.234	790	0.250	815	0.266	840	0.283	865	0.299	888	0.316	911	0.334	933
1140	0.220	747	0.236	774	0.252	801	0.269	826	0.286	851	0.303	875	0.321	898	0.338	921	0.356	943
1197	0.238	759	0.254	786	0.272	812	0.289	837	0.307	862	0.325	885	0.343	909	0.361	931	0.380	953
1254	0.257	770	0.274	797	0.292	823	0.310	848	0.329	872	0.347	896	0.366	919	0.385	941	0.405	962
1368	0.298	794	0.317	820	0.336	846	0.356	870	0.376	894	0.396	917	0.417	939	0.437	961	0.458	982
	0.90		0.95		1.00		1.05		1.10		1.15		1.20		1.25		1.30	
CFM	kW	RPM	kW	RPM	kW	RPM	kW	RPM	kW	RPM	kW	RPM	kW	RPM	kW	RPM	kW	RPM
764	0.240	906	0.253	928	0.267	949	0.280	970	0.294	990	0.308	1009	0.322	1028	0.336	1046	0.350	1064
798	0.250	911	0.264	933	0.278	954	0.292	974	0.306	994	0.321	1013	0.335	1032	0.349	1051	0.364	1068
855	0.268	919	0.283	941	0.298	962	0.312	982	0.327	1002	0.342	1021	0.357	1040	0.372	1058	0.388	1076
912	0.287	928	0.303	949	0.318	970	0.334	990	0.349	1010	0.365	1029	0.381	1048	0.397	1066	0.412	1083
969	0.307	937	0.324	958	0.340	978	0.356	999	0.372	1018	0.389	1037	0.405	1056	0.422	1074	0.438	1091
1026	0.329	946	0.345	967	0.362	987	0.379	1007	0.396	1026	0.414	1045	0.431	1064	0.448	1082	0.465	1099
1083	0.351	955	0.368	976	0.386	996	0.404	1016	0.422	1035	0.439	1054	0.457	1072	0.475	1090	0.493	1107



Unit Fan Performance

Table 92. Unit fan performance DXV/H036 (continued)

External Static Pressure																		
1140	0.374	964	0.392	985	0.411	1005	0.429	1025	0.448	1044	0.466	1062	0.485	1080	0.503	1098	0.522	1115
1197	0.399	974	0.418	994	0.437	1014	0.456	1034	0.475	1053	0.494	1071	0.514	1089	0.533	1106	0.552	1124
1254	0.424	983	0.444	1004	0.464	1023	0.484	1043	0.503	1061	0.523	1079	0.543	1097	0.563	1115	0.583	1132
1368	0.479	1002	0.500	1022	0.521	1042	0.542	1060	0.564	1079	0.585	1097	0.607	1114	0.628	1131	-	-
	1.35		1.40		1.45		1.50		1.55		1.60		1.65		1.70			
CFM	kW	RPM	kW	RPM	kW	RPM	kW	RPM	kW	RPM	kW	RPM	kW	RPM	kW	RPM		
764	0.364	1082	0.378	1099	0.391	1116	0.405	1132	0.419	1148	0.432	1164	0.445	1180	0.458	1195		
798	0.378	1086	0.392	1103	0.406	1120	0.420	1136	0.434	1152	0.448	1168	0.462	1184	0.475	1199		
855	0.403	1093	0.417	1110	0.432	1127	0.447	1143	0.462	1159	0.476	1175	0.49	1191	-	-		
912	0.428	1101	0.444	1118	0.459	1134	0.475	1151	0.490	1167	0.505	1182	0.52	1198	-	-		
969	0.455	1108	0.471	1125	0.487	1142	0.503	1158	0.519	1174	0.535	1190	-	-	-	-		
1026	0.482	1116	0.499	1133	0.516	1150	0.533	1166	0.550	1182	0.566	1197	-	-	-	-		
1083	0.511	1124	0.528	1141	0.546	1157	0.564	1173	0.581	1189	-	-	-	-	-	-		
1140	0.540	1132	0.559	1149	0.577	1165	0.595	1181	-	-	-	-	-	-	-	-		
1197	0.571	1140	0.590	1157	0.609	1173	0.628	1189	-	-	-	-	-	-	-	-		
1254	0.603	1148	0.623	1165	0.643	1181	0.663	1196	-	-	-	-	-	-	-	-		
1368	-	-	-	-	-	-	-	-	-	-	-	-	-	-	-	-		

Table 93. Unit fan performance DXV/H048

External Static Pressure																		
	0.00		0.05		0.10		0.15		0.20		0.25		0.30		0.35		0.40	
CFM	kW	RPM	kW	RPM	kW	RPM	kW	RPM	kW	RPM	kW	RPM	kW	RPM	kW	RPM	kW	RPM
1018	0.117	456	0.124	473	0.131	492	0.139	514	0.147	537	0.156	561	0.165	587	0.174	613	0.184	640
1064	0.118	461	0.126	478	0.134	497	0.143	519	0.152	542	0.161	566	0.171	592	0.181	618	0.192	646
1140	0.122	470	0.131	487	0.140	507	0.150	528	0.160	551	0.171	576	0.182	601	0.193	628	0.205	655
1216	0.128	480	0.138	497	0.148	517	0.159	538	0.170	561	0.182	585	0.194	611	0.207	638	0.220	665
1292	0.135	491	0.146	508	0.158	527	0.170	548	0.182	571	0.195	596	0.209	622	0.223	648	0.237	675
1368	0.144	501	0.156	518	0.169	537	0.182	559	0.196	582	0.210	606	0.225	632	0.240	659	0.255	686
1444	0.154	511	0.168	528	0.182	548	0.196	569	0.211	592	0.227	617	0.242	642	0.258	669	0.275	696
1520	0.167	521	0.181	538	0.197	558	0.212	579	0.228	602	0.245	627	0.262	652	0.279	679	0.297	706
1596	0.180	530	0.196	547	0.213	566	0.229	588	0.247	611	0.264	635	0.282	661	0.301	688	0.320	715
1672	0.196	538	0.213	555	0.231	574	0.249	595	0.267	619	0.286	643	0.305	669	0.325	695	0.345	722
1824	0.232	548	0.251	565	0.271	585	0.292	606	0.312	629	0.334	654	0.355	679	0.377	706	0.400	733
	0.45		0.50		0.55		0.60		0.65		0.70		0.75		0.80		0.85	
CFM	kW	RPM	kW	RPM	kW	RPM	kW	RPM	kW	RPM	kW	RPM	kW	RPM	kW	RPM	kW	RPM
1018	0.195	668	0.206	696	0.217	723	0.229	751	0.241	778	0.253	805	0.266	831	0.280	857	0.294	881
1064	0.203	673	0.214	701	0.226	728	0.239	756	0.252	783	0.265	810	0.279	836	0.293	862	0.307	887
1140	0.217	682	0.230	710	0.243	738	0.257	765	0.271	792	0.285	819	0.300	845	0.316	871	0.331	896
1216	0.234	692	0.247	720	0.262	748	0.277	775	0.292	802	0.308	829	0.324	855	0.340	881	0.357	906
1292	0.251	703	0.267	730	0.282	758	0.298	786	0.314	813	0.331	840	0.349	866	0.366	891	0.384	916
1368	0.271	713	0.287	741	0.304	769	0.321	796	0.339	823	0.357	850	0.375	876	0.394	902	0.413	927

Table 93. Unit fan performance DXV/H048 (continued)

External Static Pressure																		
	0.90		0.95		1.00		1.05		1.10		1.15		1.20		1.25		1.30	
CFM	kW	RPM	kW	RPM	kW	RPM	kW	RPM	kW	RPM	kW	RPM	kW	RPM	kW	RPM	kW	RPM
1444	0.292	723	0.310	751	0.327	779	0.346	806	0.365	834	0.384	860	0.403	887	0.424	912	0.444	937
1520	0.315	733	0.334	761	0.353	789	0.372	816	0.392	843	0.413	870	0.433	896	0.455	922	0.476	947
1596	0.339	742	0.359	770	0.380	798	0.400	825	0.421	852	0.443	879	0.465	905	0.487	931	0.510	956
1672	0.366	750	0.387	777	0.408	805	0.430	833	0.452	860	0.475	887	0.498	913	0.522	938	0.546	963
1824	0.423	760	0.446	788	0.470	816	0.494	843	0.519	871	0.544	897	0.570	924	0.596	949	0.622	974
1018	0.308	905	0.323	928	0.338	951	0.354	972	0.370	992	0.386	1012	0.403	1030	0.420	1048	0.438	1065
1064	0.322	910	0.338	934	0.354	956	0.370	977	0.387	997	0.404	1017	0.422	1036	0.440	1053	0.458	1071
1140	0.348	920	0.364	943	0.381	965	0.399	986	0.417	1007	0.435	1026	0.454	1045	0.473	1063	0.493	1080
1216	0.375	930	0.392	953	0.411	975	0.429	996	0.448	1017	0.468	1036	0.488	1055	0.509	1073	0.529	1090
1292	0.403	940	0.422	963	0.442	985	0.461	1007	0.482	1027	0.503	1046	0.524	1065	0.545	1083	0.567	1100
1368	0.433	951	0.453	974	0.474	996	0.495	1017	0.517	1037	0.539	1057	0.561	1076	0.584	1093	0.607	1111
1444	0.465	961	0.486	984	0.508	1006	0.531	1027	0.553	1048	0.576	1067	0.600	1086	0.624	1104	0.648	1121
1520	0.499	971	0.521	994	0.544	1016	0.568	1037	0.591	1058	0.616	1077	0.641	1096	0.666	1114	0.691	1131
1596	0.534	980	0.557	1003	0.582	1025	0.606	1046	0.631	1066	0.657	1086	0.683	1105	0.709	1122	0.736	1140
1672	0.571	987	0.595	1010	0.621	1032	0.647	1054	0.673	1074	0.700	1094	0.727	1112	0.754	1130	0.782	1147
1824	0.649	998	0.676	1021	0.704	1043	0.732	1064	0.761	1085	0.790	1104	-	-	-	-	-	-
	1.35		1.40		1.45		1.50		1.55		1.60		1.65		1.70			
CFM	kW	RPM	kW	RPM	kW	RPM	kW	RPM	kW	RPM	kW	RPM	kW	RPM	kW	RPM		
1018	0.456	1082	0.475	1098	0.494	1114	0.514	1129	0.534	1144	0.554	1160	0.575	1176	0.596	1192		
1064	0.477	1087	0.497	1103	0.517	1119	0.537	1134	0.557	1149	0.579	1165	0.6	1181	0.622	1197		
1140	0.513	1096	0.534	1112	0.555	1128	0.576	1143	0.598	1159	0.620	1174	0.643	1190	-	-		
1216	0.551	1106	0.572	1122	0.595	1138	0.617	1153	0.640	1169	0.664	1184	0.688	1200	-	-		
1292	0.590	1117	0.613	1133	0.636	1148	0.660	1164	0.684	1179	0.709	1194	-	-	-	-		
1368	0.631	1127	0.655	1143	0.679	1159	0.704	1174	0.730	1190	-	-	-	-	-	-		
1444	0.673	1137	0.699	1153	0.724	1169	0.751	1185	0.777	1200	-	-	-	-	-	-		
1520	0.717	1147	0.744	1163	0.771	1179	0.798	1194	-	-	-	-	-	-	-	-		
1596	0.763	1156	0.791	1172	0.819	1188	-	-	-	-	-	-	-	-	-	-		
1672	0.811	1164	0.840	1180	0.869	1195	-	-	-	-	-	-	-	-	-	-		
1824	-	-	-	-	-	-	-	-	-	-	-	-	-	-	-	-		

Table 94. Unit fan performance DXV/H060

External Static Pressure																		
	0.00		0.05		0.10		0.15		0.20		0.25		0.30		0.35		0.40	
CFM	kW	RPM	kW	RPM	kW	RPM	kW	RPM	kW	RPM	kW	RPM	kW	RPM	kW	RPM	kW	RPM
1273	0.077	436	0.092	472	0.108	506	0.124	539	0.140	571	0.155	602	0.171	632	0.187	661	0.203	689
1330	0.089	451	0.105	485	0.121	519	0.137	551	0.153	582	0.170	613	0.186	642	0.202	671	0.218	698
1425	0.113	475	0.129	508	0.146	540	0.163	572	0.179	602	0.196	631	0.212	660	0.229	687	0.246	714
1520	0.140	499	0.157	531	0.174	562	0.191	592	0.208	621	0.225	650	0.243	677	0.260	704	0.278	729
1615	0.171	524	0.188	554	0.205	584	0.223	613	0.241	641	0.259	668	0.276	695	0.294	720	0.313	745



Unit Fan Performance

Table 94. Unit fan performance DXV/H060 (continued)

External Static Pressure																		
1710	0.205	548	0.223	578	0.241	606	0.259	634	0.277	661	0.295	687	0.314	713	0.333	738	0.352	762
1805	0.243	573	0.262	601	0.280	629	0.299	656	0.318	682	0.336	707	0.356	731	0.375	755	0.394	778
1900	0.286	598	0.305	625	0.324	652	0.343	678	0.362	703	0.382	727	0.401	750	0.421	773	0.441	796
1995	0.334	624	0.353	650	0.372	676	0.392	700	0.411	724	0.431	747	0.452	770	0.472	792	0.493	814
2090	0.386	651	0.405	676	0.425	700	0.445	723	0.465	746	0.486	769	0.507	791	0.528	812	0.549	833
2280	0.505	706	0.525	729	0.546	751	0.567	773	0.588	794	0.610	814	0.632	834	0.654	854	0.677	873
	0.45		0.50		0.55		0.60		0.65		0.70		0.75		0.80		0.85	
CFM	kW	RPM	kW	RPM	kW	RPM	kW	RPM	kW	RPM	kW	RPM	kW	RPM	kW	RPM	kW	RPM
1273	0.218	716	0.234	743	0.250	769	0.267	794	0.283	818	0.299	841	0.316	864	0.333	886	0.350	908
1330	0.234	725	0.251	751	0.267	776	0.284	801	0.301	825	0.318	848	0.335	870	0.352	892	0.370	913
1425	0.263	740	0.280	765	0.298	789	0.315	813	0.333	836	0.350	859	0.368	881	0.387	902	0.405	923
1520	0.295	755	0.313	779	0.331	803	0.349	826	0.368	848	0.386	870	0.405	891	0.425	912	0.444	932
1615	0.331	770	0.350	793	0.368	816	0.387	838	0.407	860	0.426	881	0.446	902	0.466	922	0.486	942
1710	0.371	785	0.390	808	0.409	830	0.429	851	0.449	873	0.470	893	0.490	913	0.511	933	0.532	952
1805	0.414	801	0.434	823	0.454	844	0.475	865	0.496	886	0.517	906	0.538	925	0.560	945	0.582	964
1900	0.462	817	0.483	839	0.504	859	0.525	880	0.547	900	0.568	919	0.591	938	0.614	957	0.637	975
1995	0.514	835	0.536	855	0.557	875	0.579	895	0.602	914	0.624	933	0.648	952	0.671	970	0.695	988
2090	0.571	853	0.593	873	0.616	892	0.638	911	0.662	930	0.685	948	0.709	966	0.734	984	0.759	1002
2280	0.700	892	0.723	910	0.747	929	0.771	946	0.796	964	0.821	981	0.847	999	0.873	1016	0.900	1033
	0.90		0.95		1.00		1.05		1.10		1.15		1.20		1.25		1.30	
CFM	kW	RPM	kW	RPM	kW	RPM	kW	RPM	kW	RPM	kW	RPM	kW	RPM	kW	RPM	kW	RPM
1273	0.367	929	0.384	950	0.402	970	0.420	989	0.438	1008	0.457	1027	0.476	1046	0.495	1064	0.514	1082
1330	0.387	934	0.405	955	0.424	974	0.442	994	0.461	1013	0.480	1031	0.500	1050	0.520	1068	0.540	1085
1425	0.424	943	0.443	963	0.462	982	0.482	1001	0.502	1020	0.522	1038	0.543	1056	0.564	1074	0.585	1092
1520	0.464	952	0.484	971	0.504	990	0.525	1009	0.546	1028	0.567	1046	0.589	1064	0.611	1081	0.634	1099
1615	0.507	961	0.528	980	0.549	999	0.571	1018	0.593	1036	0.616	1054	0.639	1071	0.662	1089	0.686	1107
1710	0.554	971	0.576	990	0.598	1009	0.621	1027	0.644	1045	0.668	1062	0.692	1080	0.716	1097	0.741	1115
1805	0.605	982	0.628	1000	0.651	1019	0.675	1036	0.699	1054	0.724	1072	0.749	1089	0.775	1107	0.801	1124
1900	0.660	994	0.684	1012	0.708	1029	0.733	1047	0.759	1065	0.784	1082	0.811	1099	0.837	1117	0.865	1134
1995	0.720	1006	0.745	1024	0.770	1041	0.796	1059	0.822	1076	0.849	1093	0.876	1111	0.904	1128	0.933	1145
2090	0.784	1019	0.810	1037	0.836	1054	0.863	1071	0.890	1088	0.918	1106	0.947	1123	0.976	1140	1.006	1158
2280	0.927	1050	0.955	1066	0.983	1083	1.012	1100	1.042	1117	-	-	-	-	-	-	-	-
	1.35		1.40		1.45		1.50		1.55		1.60							
CFM	kW	RPM	kW	RPM	kW	RPM	kW	RPM	kW	RPM	kW	RPM						
1273	0.534	1099	0.554	1116	0.575	1134	0.596	1151	0.617	1167	0.639	1184						
1330	0.561	1103	0.582	1120	0.603	1137	0.625	1154	0.647	1171	0.670	1188						
1425	0.607	1109	0.629	1127	0.652	1144	0.675	1161	0.699	1178	0.723	1195						
1520	0.657	1116	0.680	1134	0.704	1151	0.729	1168	0.754	1185	-	-						
1615	0.710	1124	0.735	1141	0.760	1159	0.786	1176	0.812	1193	-	-						
1710	0.767	1132	0.793	1150	0.819	1167	0.847	1184	-	-	-	-						
1805	0.828	1141	0.855	1159	0.883	1176	0.911	1194	-	-	-	-						

Table 94. Unit fan performance DXV/H060 (continued)

External Static Pressure												
1900	0.893	1152	0.921	1169	0.950	1187	-	-	-	-	-	-
1995	0.962	1163	0.992	1180	1.022	1198	-	-	-	-	-	-
2090	1.036	1175	1.067	1193	-	-	-	-	-	-	-	-
2280	-	-	-	-	-	-	-	-	-	-	-	-

Table 95. Unit fan performance DXV/H070

External Static Pressure																		
	0.00		0.05		0.10		0.15		0.20		0.25		0.30		0.35		0.40	
CFM	kW	RPM	kW	RPM	kW	RPM	kW	RPM	kW	RPM	kW	RPM	kW	RPM	kW	RPM	kW	RPM
1484	0.129	490	0.146	523	0.163	554	0.180	584	0.197	614	0.214	643	0.231	670	0.248	697	0.265	724
1551	0.149	507	0.167	539	0.184	569	0.201	599	0.218	628	0.236	656	0.253	683	0.271	709	0.289	735
1661	0.187	535	0.204	566	0.222	595	0.240	623	0.258	651	0.276	678	0.294	703	0.312	729	0.331	753
1772	0.230	564	0.248	593	0.266	621	0.285	648	0.303	674	0.322	700	0.341	725	0.360	749	0.379	772
1883	0.278	594	0.297	621	0.316	648	0.335	674	0.354	699	0.373	723	0.393	747	0.413	770	0.433	792
1994	0.333	624	0.352	650	0.372	675	0.391	700	0.411	724	0.431	747	0.451	770	0.472	792	0.492	813
2104	0.394	655	0.413	679	0.433	704	0.453	727	0.474	750	0.494	772	0.515	794	0.536	815	0.558	835
2215	0.462	687	0.482	710	0.502	733	0.523	755	0.544	777	0.565	798	0.587	819	0.609	839	0.631	859
2326	0.537	720	0.557	742	0.578	764	0.600	785	0.621	806	0.643	826	0.665	846	0.688	865	0.711	884
2437	0.620	755	0.641	776	0.662	797	0.684	817	0.706	836	0.728	855	0.751	874	0.775	892	0.798	910
2658	0.808	829	-	-	-	-	-	-	-	-	-	-	-	-	-	-	-	-
	0.45		0.50		0.55		0.60		0.65		0.70		0.75		0.80		0.85	
CFM	kW	RPM	kW	RPM	kW	RPM	kW	RPM	kW	RPM	kW	RPM	kW	RPM	kW	RPM	kW	RPM
1484	0.283	749	0.300	774	0.318	797	0.336	821	0.354	843	0.372	865	0.391	887	0.410	908	0.429	928
1551	0.307	759	0.325	783	0.343	807	0.361	830	0.380	852	0.399	873	0.418	895	0.438	915	0.457	935
1661	0.350	777	0.369	800	0.388	823	0.407	845	0.427	866	0.447	887	0.467	907	0.487	927	0.508	947
1772	0.399	795	0.418	818	0.438	839	0.459	860	0.479	881	0.500	901	0.521	921	0.543	941	0.565	960
1883	0.453	814	0.474	836	0.494	857	0.516	877	0.537	897	0.559	917	0.581	936	0.604	955	0.627	973
1994	0.514	834	0.535	855	0.557	875	0.579	895	0.601	914	0.624	933	0.647	952	0.671	970	0.695	988
2104	0.580	856	0.602	875	0.625	895	0.647	913	0.671	932	0.695	950	0.719	968	0.743	986	0.768	1004
2215	0.653	878	0.676	897	0.700	916	0.724	934	0.748	952	0.772	969	0.798	987	0.823	1004	0.849	1022
2326	0.734	902	0.758	920	0.782	938	0.807	956	0.832	973	0.858	990	0.884	1007	0.910	1024	0.937	1041
2437	0.822	928	0.847	945	0.872	962	0.898	979	0.923	996	0.950	1013	-	-	-	-	-	-
2658	-	-	-	-	-	-	-	-	-	-	-	-	-	-	-	-	-	-
	0.90		0.95		1.00		1.05		1.10		1.15		1.20		1.25		1.30	
CFM	kW	RPM	kW	RPM	kW	RPM	kW	RPM	kW	RPM	kW	RPM	kW	RPM	kW	RPM	kW	RPM
1484	0.448	948	0.468	968	0.488	987	0.508	1006	0.529	1025	0.550	1043	0.571	1061	0.593	1079	0.615	1096
1551	0.477	955	0.498	974	0.518	993	0.539	1012	0.561	1030	0.583	1048	0.605	1066	0.627	1084	0.650	1101
1661	0.529	966	0.551	985	0.573	1004	0.595	1022	0.617	1040	0.640	1058	0.664	1076	0.688	1093	0.712	1111
1772	0.587	978	0.609	997	0.632	1015	0.656	1033	0.680	1051	0.704	1068	0.729	1086	0.754	1103	0.780	1121
1883	0.650	991	0.674	1010	0.698	1027	0.723	1045	0.748	1063	0.773	1080	0.799	1098	0.826	1115	0.853	1132
1994	0.719	1006	0.744	1024	0.769	1041	0.795	1058	0.821	1076	0.848	1093	0.876	1110	0.904	1128	0.932	1145



Unit Fan Performance

Table 95. Unit fan performance DXV/H070 (continued)

External Static Pressure																		
2104	0.794	1021	0.820	1039	0.846	1056	0.873	1073	0.901	1090	0.929	1108	0.958	1125	0.987	1142	1.017	1159
2215	0.876	1039	0.903	1056	0.931	1073	0.959	1090	0.988	1107	1.017	1124	1.047	1141	1.077	1158	-	-
2326	0.965	1058	0.993	1074	1.022	1091	-	-	-	-	-	-	-	-	-	-	-	-
2437	-	-	-	-	-	-	-	-	-	-	-	-	-	-	-	-	-	-
2658	-	-	-	-	-	-	-	-	-	-	-	-	-	-	-	-	-	-
	1.35			1.40		1.45		1.50		1.55		1.60						
CFM	kW	RPM	kW	RPM	kW	RPM	kW	RPM	kW	RPM	kW	RPM						
1484	0.638	1114	0.661	1131	0.684	1148	0.708	1165	0.732	1182	0.757	1200						
1551	0.674	1119	0.698	1136	0.722	1153	0.747	1171	0.772	1188	-	-						
1661	0.737	1128	0.762	1145	0.788	1163	0.815	1180	0.842	1197	-	-						
1772	0.806	1138	0.833	1156	0.860	1173	0.888	1191	-	-	-	-						
1883	0.881	1150	0.909	1167	0.938	1185	-	-	-	-	-	-						
1994	0.961	1163	0.991	1180	1.021	1198	-	-	-	-	-	-						
2104	1.047	1177	1.078	1195	-	-	-	-	-	-	-	-						
2215	-	-	-	-	-	-	-	-	-	-	-	-						
2326	-	-	-	-	-	-	-	-	-	-	-	-						
2437	-	-	-	-	-	-	-	-	-	-	-	-						
2658	-	-	-	-	-	-	-	-	-	-	-	-						

Table 96. Added pressure drop through optional filters (inches water column), 0.75 to 6 tons, EXV/H009-070

Model No.	CFM	2" MERV 8	2" MERV13	4" MERV 8	4" MERV13
EXV/H009	228	0.04	0.06	0.02	0.05
EXV/H009	242	0.04	0.07	0.02	0.05
EXV/H009	257	0.04	0.07	0.02	0.05
EXV/H009	271	0.05	0.08	0.02	0.06
EXV/H009	285	0.05	0.08	0.03	0.06
EXV/H009	299	0.05	0.09	0.03	0.06
EXV/H009	314	0.06	0.09	0.03	0.06
EXV/H009	328	0.06	0.10	0.03	0.07
EXV/H009	342	0.06	0.10	0.03	0.07
EXV/H012	304	0.05	0.09	0.03	0.06
EXV/H012	323	0.06	0.09	0.03	0.07
EXV/H012	342	0.06	0.10	0.03	0.07
EXV/H012	361	0.07	0.11	0.04	0.07
EXV/H012	380	0.07	0.11	0.04	0.08
EXV/H012	399	0.08	0.12	0.04	0.08
EXV/H012	418	0.08	0.13	0.05	0.09
EXV/H012	437	0.09	0.13	0.05	0.09
EXV/H012	456	0.09	0.14	0.05	0.10
EXV/H015	380	0.06	0.10	0.03	0.07
EXV/H015	404	0.07	0.10	0.03	0.07

Table 96. Added pressure drop through optional filters (inches water column), 0.75 to 6 tons, EXV/H009-070 (continued)

Model No.	CFM	2" MERV 8	2" MERV13	4" MERV 8	4" MERV13
EXV/H015	428	0.07	0.11	0.04	0.08
EXV/H015	451	0.07	0.12	0.04	0.08
EXV/H015	475	0.08	0.12	0.04	0.09
EXV/H015	499	0.08	0.13	0.05	0.09
EXV/H015	523	0.09	0.14	0.05	0.10
EXV/H015	546	0.09	0.15	0.06	0.10
EXV/H015	570	0.10	0.15	0.06	0.11
EXV/H018	456	0.05	0.08	0.03	0.06
EXV/H018	485	0.06	0.09	0.03	0.06
EXV/H018	513	0.06	0.10	0.03	0.07
EXV/H018	542	0.06	0.10	0.03	0.07
EXV/H018	570	0.07	0.11	0.04	0.07
EXV/H018	599	0.07	0.11	0.04	0.08
EXV/H018	627	0.08	0.12	0.04	0.08
EXV/H018	656	0.08	0.13	0.05	0.09
EXV/H018	684	0.08	0.13	0.05	0.09
EXV/H024	608	0.07	0.12	0.04	0.08
EXV/H024	646	0.08	0.12	0.04	0.09
EXV/H024	684	0.08	0.13	0.05	0.09
EXV/H024	722	0.09	0.14	0.05	0.10
EXV/H024	760	0.10	0.15	0.06	0.11
EXV/H024	798	0.10	0.16	0.06	0.11
EXV/H024	836	0.11	0.17	0.07	0.12
EXV/H024	874	0.11	0.18	0.07	0.13
EXV/H024	912	0.12	0.19	0.08	0.14
EXV/H030	760	0.07	0.11	0.04	0.08
EXV/H030	808	0.08	0.12	0.04	0.08
EXV/H030	855	0.08	0.13	0.05	0.09
EXV/H030	903	0.09	0.14	0.05	0.09
EXV/H030	950	0.09	0.14	0.05	0.10
EXV/H030	998	0.10	0.15	0.06	0.11
EXV/H030	1045	0.10	0.16	0.06	0.11
EXV/H030	1093	0.11	0.17	0.07	0.12
EXV/H030	1140	0.11	0.18	0.07	0.13
EXV/H036	912	0.09	0.14	0.05	0.10
EXV/H036	969	0.09	0.15	0.06	0.10
EXV/H036	1026	0.10	0.16	0.06	0.11
EXV/H036	1083	0.11	0.17	0.07	0.12
EXV/H036	1140	0.11	0.18	0.07	0.13
EXV/H036	1197	0.12	0.19	0.08	0.14



Unit Fan Performance

Table 96. Added pressure drop through optional filters (inches water column), 0.75 to 6 tons, EXV/H009-070 (continued)

Model No.	CFM	2" MERV 8	2" MERV13	4" MERV 8	4" MERV13
EXV/H036	1254	0.13	0.20	0.09	0.15
EXV/H036	1311	0.13	0.21	0.09	0.16
EXV/H036	1368	0.14	0.23	0.10	0.17
EXV/H042	1064	0.07	0.12	0.04	0.08
EXV/H042	1131	0.08	0.12	0.04	0.09
EXV/H042	1197	0.08	0.13	0.05	0.09
EXV/H042	1264	0.09	0.14	0.05	0.10
EXV/H042	1330	0.10	0.15	0.06	0.11
EXV/H042	1397	0.10	0.16	0.06	0.11
EXV/H042	1463	0.11	0.17	0.07	0.12
EXV/H042	1530	0.11	0.18	0.07	0.13
EXV/H042	1596	0.12	0.19	0.08	0.14
EXV/H048	1216	0.09	0.13	0.05	0.09
EXV/H048	1292	0.09	0.15	0.05	0.10
EXV/H048	1368	0.10	0.16	0.06	0.11
EXV/H048	1444	0.10	0.17	0.07	0.12
EXV/H048	1520	0.11	0.18	0.07	0.13
EXV/H048	1596	0.12	0.19	0.08	0.14
EXV/H048	1672	0.12	0.20	0.08	0.15
EXV/H048	1748	0.13	0.21	0.09	0.16
EXV/H048	1824	0.14	0.22	0.10	0.17
EXV/H060	1520	0.09	0.14	0.05	0.10
EXV/H060	1615	0.09	0.15	0.06	0.11
EXV/H060	1710	0.10	0.16	0.06	0.11
EXV/H060	1805	0.11	0.17	0.07	0.12
EXV/H060	1900	0.11	0.18	0.07	0.13
EXV/H060	1995	0.12	0.19	0.08	0.14
EXV/H060	2090	0.13	0.21	0.09	0.15
EXV/H060	2185	0.13	0.22	0.09	0.16
EXV/H060	2280	0.14	0.23	0.10	0.17
EXV/H070	1772	0.11	0.17	0.07	0.12
EXV/H070	1883	0.11	0.18	0.07	0.13
EXV/H070	1994	0.12	0.19	0.08	0.14
EXV/H070	2104	0.13	0.21	0.09	0.15
EXV/H070	2215	0.14	0.22	0.10	0.16
EXV/H070	2326	0.14	0.24	0.10	0.18
EXV/H070	2437	0.15	0.25	0.11	0.19
EXV/H070	2547	0.16	0.26	0.12	0.20
EXV/H070	2658	0.17	0.28	0.13	0.22

Table 97. Added pressure drop through optional filters (inches water column), 2 to 6 tons, DXV/H024-070

Model No.	CFM	2" MERV 8	2" MERV13	4" MERV 8	4" MERV13
DXV/H024	608	0.07	0.12	0.04	0.08
DXV/H024	646	0.08	0.12	0.04	0.09
DXV/H024	684	0.08	0.13	0.05	0.09
DXV/H024	722	0.09	0.14	0.05	0.10
DXV/H024	760	0.10	0.15	0.06	0.11
DXV/H024	798	0.10	0.16	0.06	0.11
DXV/H024	836	0.11	0.17	0.07	0.12
DXV/H024	874	0.11	0.18	0.07	0.13
DXV/H024	912	0.12	0.19	0.08	0.14
DXV/H036	912	0.09	0.14	0.05	0.10
DXV/H036	969	0.09	0.15	0.06	0.10
DXV/H036	1026	0.10	0.16	0.06	0.11
DXV/H036	1083	0.11	0.17	0.07	0.12
DXV/H036	1140	0.11	0.18	0.07	0.13
DXV/H036	1197	0.12	0.19	0.08	0.14
DXV/H036	1254	0.13	0.20	0.09	0.15
DXV/H036	1311	0.13	0.21	0.09	0.16
DXV/H036	1368	0.14	0.23	0.10	0.17
DXV/H048	1216	0.09	0.13	0.05	0.09
DXV/H048	1292	0.09	0.15	0.05	0.10
DXV/H048	1368	0.10	0.16	0.06	0.11
DXV/H048	1444	0.10	0.17	0.07	0.12
DXV/H048	1520	0.11	0.18	0.07	0.13
DXV/H048	1596	0.12	0.19	0.08	0.14
DXV/H048	1672	0.12	0.20	0.08	0.15
DXV/H048	1748	0.13	0.21	0.09	0.16
DXV/H048	1824	0.14	0.22	0.10	0.17
DXV/H060	1520	0.09	0.14	0.05	0.10
DXV/H060	1615	0.09	0.15	0.06	0.11
DXV/H060	1710	0.10	0.16	0.06	0.11
DXV/H060	1805	0.11	0.17	0.07	0.12
DXV/H060	1900	0.11	0.18	0.07	0.13
DXV/H060	1995	0.12	0.19	0.08	0.14
DXV/H060	2090	0.13	0.21	0.09	0.15
DXV/H060	2185	0.13	0.22	0.09	0.16
DXV/H060	2280	0.14	0.23	0.10	0.17
DXV/H070	1772	0.11	0.17	0.07	0.12
DXV/H070	1883	0.11	0.18	0.07	0.13
DXV/H070	1994	0.12	0.19	0.08	0.14
DXV/H070	2104	0.13	0.21	0.09	0.15
DXV/H070	2215	0.14	0.22	0.10	0.16



Unit Fan Performance

Table 97. Added pressure drop through optional filters (inches water column), 2 to 6 tons, DXV/H024-070 (continued)

Model No.	CFM	2" MERV 8	2" MERV13	4" MERV 8	4" MERV13
DXV/H070	2326	0.14	0.24	0.10	0.18
DXV/H070	2437	0.15	0.25	0.11	0.19
DXV/H070	2547	0.16	0.26	0.12	0.20
DXV/H070	2658	0.17	0.28	0.13	0.22

Table 98. Waterside economizer performance 0.75 to 6 tons, EXV/H 009-070

MODEL	Airside		Waterside			Cooling Capacity	
	CFM	APD (in. w.g.)	GPM	EWT	WPD (ft. hd.)	Total Mbtuh	Sensible Mbtuh
EXV/H009	285	0.05	2.3	45	1.02	9.8	7.3
				50	1.01	7.5	6.5
				55	1.01	5.8	5.5
				60	1.00	4.5	4.4
				65	0.98	3.4	3.4
				70	0.97	2.2	2.2
EXV/H012	380	0.07	3.0	45	1.67	12.2	9.3
				50	1.65	9.3	8.3
				55	1.62	7.4	7.1
				60	1.59	5.8	5.7
				65	1.57	4.3	4.3
				70	1.55	2.9	2.9
EXV/H015	475	0.08	3.8	45	2.45	15.4	11.7
				50	2.41	11.8	10.4
				55	2.39	9.3	8.8
				60	2.36	7.3	7.2
				65	2.34	5.4	5.3
				70	2.33	3.6	3.6
EXV/H018	570	0.07	4.5	45	2.31	19.4	14.6
				50	2.26	14.9	13.0
				55	2.23	11.7	11.1
				60	2.20	9.1	8.9
				65	2.18	6.7	6.6
				70	2.17	4.5	4.5
EXV/H024	760	0.11	6.0	45	3.87	24.9	18.9
				50	3.86	19.0	16.7
				55	3.85	14.9	14.2
				60	3.84	11.7	11.5
				65	3.83	8.7	8.6
				70	3.82	5.8	5.8

Table 98. Waterside economizer performance 0.75 to 6 tons, EXV/H 009-070 (continued)

MODEL	Airside		Waterside			Cooling Capacity	
	CFM	APD (in. w.g.)	GPM	EWT	WPD (ft. hd.)	Total Mbtuh	Sensible Mbtuh
EXV/H030	950	0.10	7.5	45	2.31	29.8	22.9
				50	2.28	22.9	20.6
				55	2.26	18.2	17.5
				60	2.25	14.3	14.0
				65	2.24	10.7	10.6
				70	2.23	7.1	7.1
EXV/H036	1140	0.13	9.0	45	3.24	35.0	27.3
				50	3.23	26.7	24.3
				55	3.22	21.2	20.6
				60	3.21	16.7	16.4
				65	3.21	12.5	12.4
				70	3.20	8.4	8.4
EXVG042	1330	0.11	10.5	45	2.52	41.3	32.2
				50	2.50	31.6	28.4
				55	2.49	25.1	24.3
				60	2.47	19.7	19.3
				65	2.46	14.7	14.6
				70	2.46	9.9	9.9
EXHG042	1330	0.11	10.5	45	2.5	44.3	32.7
				50	2.5	35.7	28.7
				55	2.49	26.5	24.7
				60	2.49	22.8	19.4
				65	2.48	15.3	15.2
				70	2.48	9.9	10.2
EXVG048	1520	0.13	12.0	45	3.24	46.4	36.2
				50	3.23	35.4	32.2
				55	3.22	28.1	27.3
				60	3.21	22.1	21.7
				65	3.21	16.6	16.4
				70	3.20	11.1	11.1
EXHG048	1520	0.13	12	45	3.26	49.7	36.9
				50	3.25	40	32.3
				55	3.25	29.6	27.8
				60	3.24	25.5	21.9
				65	3.24	17.1	17.1
				70	3.23	11.1	11.4



Unit Fan Performance

Table 98. Waterside economizer performance 0.75 to 6 tons, EXV/H 009-070 (continued)

MODEL	Airside		Waterside			Cooling Capacity	
	CFM	APD (in. w.g.)	GPM	EWT	WPD (ft. hd.)	Total Mbtuh	Sensible Mbtuh
EXVG060	1900	0.14	15.0	45	3.58	58.3	45.5
				50	3.57	44.4	40.0
				55	3.56	35.2	34.1
				60	3.56	27.7	27.1
				65	3.55	20.7	20.5
				70	3.55	13.9	13.9
EXHG060	1900	0.14	15	45	6.23	65.1	47.5
				50	6.22	52.1	41.4
				55	6.21	38.2	35.4
				60	6.21	33.1	28
				65	6.2	21.8	21.8
				70	6.19	14.1	14.5
EXVG070	2215	0.17	17.5	45	4.86	66.5	51.9
				50	4.84	50.4	45.9
				55	4.84	39.9	38.7
				60	4.83	31.4	30.8
				65	4.82	23.6	23.4
				70	4.82	15.8	15.8
EXHG070	2215	0.17	17.5	45	8.46	73.8	54.2
				50	8.45	59.0	47.2
				55	8.44	43.1	40.3
				60	8.44	37.5	31.8
				65	8.42	24.8	24.7
				70	8.42	16.0	16.5

Notes:

1. The waterside pressure drops shown only account for the waterside economizer coil.
2. The airside pressure drop shown only accounts for the waterside economizer coil with a wet coil.
3. Capacity is at rated airflow at 80°F/67°F entering air temperature.

Table 99. Waterside economizer performance 2 to 6 tons, DXV/H024-070

MODEL	Airside		Waterside			Cooling Capacity	
	CFM	APD (in. w.g.)	GPM	EWT	WPD (ft. hd.)	Total Mbtuh	Sensible Mbtuh
DXV/H024	760	0.11	6.0	45	3.87	24.9	18.9
				50	3.86	19.0	16.7
				55	3.85	14.9	14.2
				60	3.84	11.7	11.5
				65	3.83	8.7	8.6
				70	3.82	5.8	5.8
DXV/H036	1140	0.13	9.0	45	3.24	35.0	27.3
				50	3.23	26.7	24.3
				55	3.22	21.2	20.6
				60	3.21	16.7	16.4
				65	3.21	12.5	12.4
				70	3.20	8.4	8.4
DXVG048	1520	0.13	12.0	45	3.24	46.4	36.2
				50	3.23	35.4	32.2
				55	3.22	28.1	27.3
				60	3.21	22.1	21.7
				65	3.21	16.6	16.4
				70	3.20	11.1	11.1
DXHG048	1520	0.13	12	45	3.26	49.7	36.9
				50	3.25	40	32.3
				55	3.25	29.6	27.8
				60	3.24	25.5	21.9
				65	3.24	17.1	17.1
				70	3.23	11.1	11.4
DXVG060	1900	0.14	15.0	45	3.58	58.3	45.5
				50	3.57	44.4	40.0
				55	3.56	35.2	34.1
				60	3.56	27.7	27.1
				65	3.55	20.7	20.5
				70	3.55	13.9	13.9
DXHG060	1900	0.14	15	45	6.23	65.1	47.5
				50	6.22	52.1	41.4
				55	6.21	38.2	35.4
				60	6.21	33.1	28
				65	6.2	21.8	21.8
				70	6.19	14.1	14.5



Unit Fan Performance

Table 99. Waterside economizer performance 2 to 6 tons, DXV/H024-070 (continued)

MODEL	Airside		Waterside			Cooling Capacity	
	CFM	APD (in. w.g.)	GPM	EWT	WPD (ft. hd.)	Total Mbtuh	Sensible Mbtuh
DXVG070	2215	0.17	17.5	45	4.86	66.5	51.9
				50	4.84	50.4	45.9
				55	4.84	39.9	38.7
				60	4.83	31.4	30.8
				65	4.82	23.6	23.4
				70	4.82	15.8	15.8
DXHG070	2215	0.17	17.5	45	8.46	73.8	54.2
				50	8.45	59	47.2
				55	8.44	43.1	40.3
				60	8.44	37.5	31.8
				65	8.42	24.8	24.7
				70	8.42	16	16.5

Notes:

1. The waterside pressure drops shown only account for the waterside economizer coil.
2. The airside pressure drop shown only accounts for the waterside economizer coil with a wet coil.
3. Capacity is at rated airflow at 80°F/67°F entering air temperature.

Table 100. Antifreeze correction factors

Methanol (concentration by volume)						
Item	0%	10%	20%	30%	40%	50%
Cooling Capacity	1	0.998	0.997	0.995	0.993	0.992
Heating Capacity	1	0.995	0.99	0.985	0.979	0.974
Pressure Drop	1	1.023	1.057	1.091	1.122	1.16
Ethylene Glycol (concentration by volume)						
Item	0%	10%	20%	30%	40%	50%
Cooling Capacity	1	0.996	0.991	0.987	0.983	0.979
Heating Capacity	1	0.993	0.985	0.977	0.969	0.961
Pressure Drop	1	1.024	1.068	1.124	1.188	1.263
Propylene Glycol (concentration by volume)						
Item	0%	10%	20%	30%	40%	50%
Cooling Capacity	1	0.993	0.987	0.98	0.974	0.968
Heating Capacity	1	0.986	0.973	0.96	0.948	0.935
Pressure Drop	1	1.04	1.098	1.174	1.273	1.405
Brine (NaCl) (concentration by volume)						
Item	0%	10%	20%	30%	40%	50%
Cooling Capacity	1	0.994	0.987	0.979	0.971	0.963
Heating Capacity	1	0.993	0.987	0.982	0.978	0.976
Pressure Drop	1	1.154	1.325	1.497	1.669	1.841

Examples

Example 1 (Ethylene Glycol):

The antifreeze solution is 20% by volume of Ethylene Glycol. Determine the corrected cooling capacity and waterside pressure drop for a GEHG018 when the EWT is 86°F and the GPM is 4.5.

From the catalog data, the cooling capacity at these conditions with 100% water is 18.9 Mbtuh, and the waterside pressure drop is 11.8 feet of head. At 20% Ethylene Glycol, the correction factor for cool capacity is 0.991 and the pressure drop is 1.068.

The corrected cooling capacity (Mbtuh) = $18.9 * 0.991 = 18.7$. The corrected water side pressure drop (Ft. head) = $11.8 * 1.068 = 12.6$.

Example 2 (Propylene Glycol):

The antifreeze solution is 30% by volume of Propylene Glycol. Determine the corrected heating capacity and waterside pressure drop for a GEHE042 when the EWT is 45°F and the GPM is 9.5.

From the catalog data, the heating capacity at these conditions with 100% water is 40.4 Mbtuh, and the waterside pressure drop is 8.6 feet of head. At 30% Propylene Glycol, the correction factor for heat capacity is 0.960 and the pressure drop is 1.174.

The corrected heating capacity (Mbtuh) = $40.4 * 0.960 = 38.8$. The corrected water side pressure drop (Ft. head) = $8.6 * 1.174 = 10.1$.

Figure 13. Cooling capacity correction factor

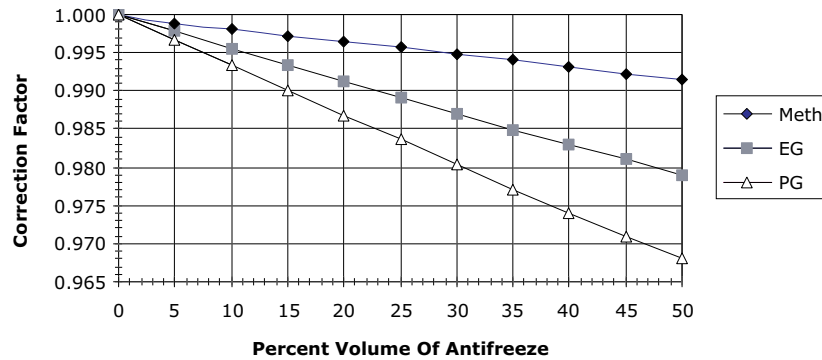


Figure 14. Heating capacity correction factor

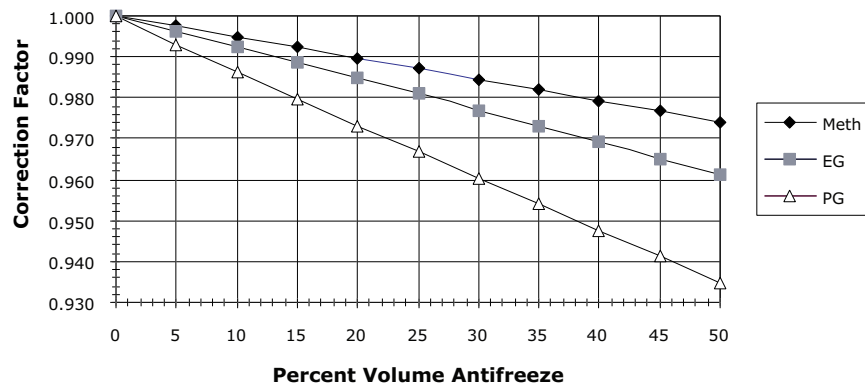
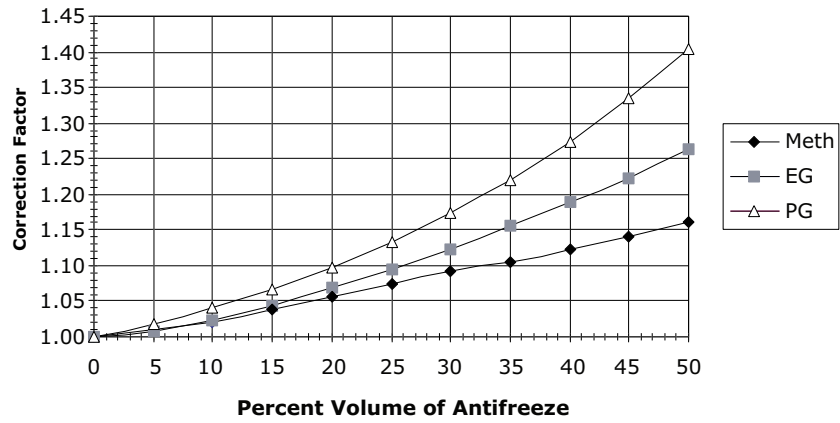


Figure 15. Water pressure drop correction factor



Controls

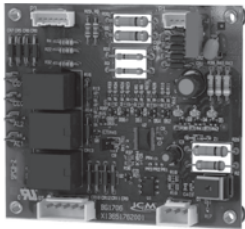
From our industry-leading building automation systems to equipment controls and sensors, Trane offers a complete portfolio of controls products. Trane unit mounted controls are mounted, wired, configured and tested to deliver a high quality product with time savings at the job site. Our building controls are web-based, flexible and scalable, mobile, easy to use and install, and support open standard protocols such as BACnet®.

Deluxe 24V Electronic Controls

The 24 V deluxe design is a microprocessor-based control board conveniently located in the control box. The board is unique to Trane water-source products and is designed to control the unit as well as provide outputs for unit status and fault detection.

The board is factory wired to a terminal point to provide all necessary terminals for field connections.

Figure 16. Deluxe 24V control board



The 24V deluxe design may be applied as a stand-alone control system. The stand-alone design provides accurate temperature control directly through a wall-mounted electronic thermostat.

This system set-up may be utilized in a replacement design where a single unit retrofit is needed. It may be easily interfaced with a field provided control system by way of the factory installed termination point. This stand-alone control is frequently utilized on small jobs where a building controller may not be necessary, or where field installed direct digital controls are specified.

The stand-alone system design provides a low cost option of installation while still allowing room control for each unit. The electric controls includes the following:

- Connection points for low voltage field wiring
- 75 VA Transformer
- Anti-short cycle compressor protection
- Brown out protection
- Compressor contactor
- Compressor delay on start
- Compressor lock-out
- Condensate overflow
- Electric heat and compressor enable
- Freeze protection
- High pressure switch
- Hot gas reheat — EX models only
- Low pressure switch
- Low pressure time delay
- Random start delay
- Reversing valve coil
- Soft lockout mode



Deluxe 24V Features

Anti-short Cycle Timer

The anti-short cycle timer provides a three minute time delay between compressor stop and compressor restart.

Brown-out Protection

The brown-out protection function measures the input voltage to the controller and halts the compressor operation. Once a brown-out situation has occurred, the anti-short cycle timer will become energized. The general fault contact will not be affected by this condition. The voltage will continue to be monitored until the voltage increases. The compressors will be enabled at this time if all start-up time delays have expired, and all safeties have been satisfied.

Compressor Disable

The compressor disable relay provides a temporary disable in compressor operation. The signal would be provided from a water loop controller in the system. It would disable the compressor because of low water flow, peak limiting or if the unit goes into an unoccupied state. Once the compressor has been disabled, the anti-short cycle time period will begin. Once the compressor disable signal is no longer present, and all safeties are satisfied, the control will allow the compressor to restart.

Diagnostics

Three LEDs (light emitting diodes) are provided for indicating the operating mode of the controller. See the unit IOM for diagnostics or troubleshooting through the use of the LEDs.

Generic Relay

A generic relay is on the board and may be available for field use. Many factory options utilize this relay, and it will be unavailable for field use in those applications.

A 24 Vac signal will energize the relay coil on terminals R1 and R2. Terminals C (common), NO (normally open), and NC (normally closed) will be provided for the relay contacts.

Random Start

The random start relay provides a time delay start-up of the compressor when cycling in the occupied mode. A new start delay time between 3 and 10 seconds is applied each time power is enabled to the unit.

Safety Control

The deluxe controller receives separate input signals from the refrigerant high pressure switch, low suction pressure switch, freezestat and condensate overflow.

In a high pressure situation, the compressor contactor is de-energized, which suspends compressor operation. The control will go into soft lockout mode initializing a three minute time delay and a random start of 3 to 10 second time delays. Once these delays have expired, the unit will be allowed to run. If a high pressure situation occurs within one hour of the first situation, the control will be placed into a manual lockout mode, halting compressor operation, and initiating the general alarm.

In a low temperature situation, the low pressure switch will transition open after the compressor starts. If the switch is open for 45 seconds during compressor start, the unit will go into soft lockout mode initializing a three minute time delay and a random start of 3 to 10 second time delays. Once these delays have expired, the unit will be allowed to run. If the low pressure situation occurs again within 30 minutes, and the device is open for more than 45 seconds, the control will be placed into a manual lockout mode, halting compressor operation, and initiating the general alarm.

In a condensate overflow situation, the control will go into manual lockout mode, halting compressor operation, and initiating the general alarm.

The general alarm is initiated when the control goes into a manual lockout mode for either high pressure, low pressure, freezestat or condensate overflow conditions.

High and Low Pressure Switches

System safety devices are provided through the use of low/high pressure switches in the refrigeration circuit to help prevent compressor damage. The low pressure switch is set to activate at refrigerant

pressures of 40 psig to fit most applications. In cases where a low charge, or excessive loss of charge occurs, each compressor comes equipped with an external overload device to halt the compressor operation.

The high pressure switch prevents compressor operation during high or excessive discharge pressures that exceed 650 psig.

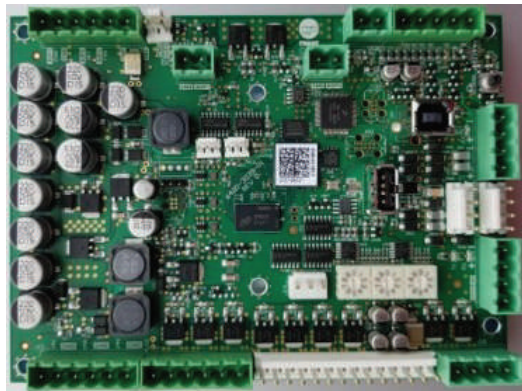
Figure 17. High and low pressure switches



Symbio™/Tracer® Controls

The Symbio 400-B/UC400-B controller offers the combined advantages of simple and dependable operation with the latest Trane-designed controller. Standard control features include options normally available on more elaborate control systems. All control options are available factory-configured or can be field-configured using Tracer® TU for the Symbio 400-B/UC400-B controllers. For more detailed information, refer to BAS-SVX065*-EN (for UC400-B) or BAS-SVX092*-EN (for Symbio 400-B). Symbio 400-B/UC400-B is DDC that when applied to water-source equipment provide control of the entire unit, as well as outputs for unit status and fault detection. Each device is factory installed, commissioned, and tested to ensure the highest level of quality in unit design.

Figure 18. Symbio 400-B



Each controller feature and option was selected to coordinate with the unit hardware to provide greater energy efficiency and equipment safety to prolong the equipment life.

Trane WSHP with DDC controllers features include 75VA transformer, compressor contactor, compressor lockout function, random start delay, heating/cooling status, occupied/unoccupied mode, low pressure switch, high pressure switch, fan and filter status optional, reversing valve, fan motor, termination points (for low voltage field wiring), condensate overflow and freeze protection. Additional features include two-position water isolation valve support (for variable speed pumping). Optional features include boilerless control for electric heat, waterside economizer, hot gas reheat (for dehumidification) .

Symbio 400-B/UC400-B

The Symbio 400-B/UC400-B is a BTL Listed BACnet® controller that can operate stand-alone or within a Building Automation system such as Tracer SC.

Symbio 400-B/UC400-B Functions Include:

Boilerless Control Electric Heat

The controller supports a single stage of boilerless electric heat operation.

Electric heat is used when boilerless heat is enabled/configured and the EWT is too low for compressor operation. When this condition is met, the two-position isolation valve will be closed shutting down the water flow to the unit.

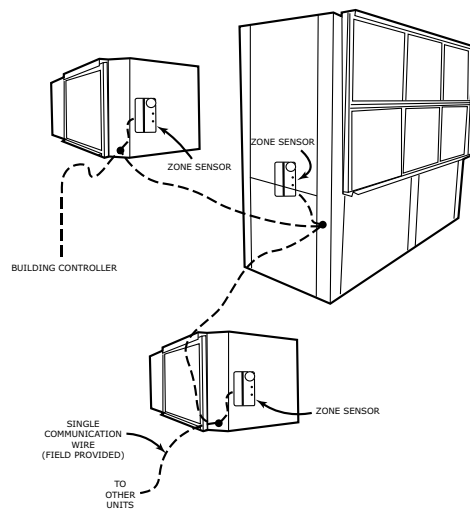
Compressor Operation

The compressor is cycled on and off to meet heating or cooling zone demands. Units use the unit capacity and pulse width modulation (PWM) logic along with minimum on/off timers to determine the compressor's operation. The compressor is controlled ON for longer periods as capacity increases and shorter periods as capacity decreases.

Condensate Overflow

When condensate reaches the trip point, a condensate overflow signal generates a diagnostic which disables the fan, unit water valves (if present), and compressor. The unit will remain in a halted state until the condensation returns to a normal level. At this time, the switch in the drain pan will automatically reset. However, the controller's condensate overflow diagnostic must be manually reset to clear the diagnostic and restart the unit.

Figure 19. Building control advantages



The Symbio 400-B/UC400-B controllers have the ability to share information with one or several units on the same communication link.

An advantage of installing a Symbio 400-B/UC400-B is its capability to work with other BACnet® controllers. This provides greater flexibility to the building owner, as well as greater flexibility in design.

Integrating the Symbio 400-B/UC400-B on water-source equipment, and tying it to a Tracer SC or other BAS system provides a complete building management system. With a Building Automation system like a Tracer SC, the system can initiate an alarm on a loss of performance on equipment malfunctions; allowing problems to be handled in a timely manner before compromising comfort.

This type of application would most commonly be used for a large space(s) that may require more than one unit. In addition to this application design, Symbio 400-B/UC400-B controller provides a way for units located within the same space to share the same zone sensor to prevent units from simultaneously heating and cooling in the same space.

Note: *The sharing of information is made possible with a twisted pair of wire and a building automation system or through Trane's service tools*

Data Sharing

The Symbio 400-B/UC400-B controller are capable of sending or receiving data (setpoints, fan request, or space temperature) to and from other controllers on the communication link. This allows multiple units to share a common space temperature sensor in both stand-alone and building automation applications.

Dehumidification (applicable to EX units only)

Dehumidification for the water-source heat pump is applicable with the Symbio 400-B/UC400-B. The controller is capable of directing one stage of DX cooling in conjunction with one stage of reheat (hot gas reheat).

Dehumidification can only occur when the controller is in the cooling mode. A humidity sensor is used to measure the zone's relative humidity (RH), then compares the zone relative humidity to the relative humidity enable/disable setpoint parameters. The dehumidification enable and disable points are configurable.

Fan Operation

The supply air fan operates at the predetermined speed in the occupied or occupied standby mode. When switch is set to AUTO, the fan is configured for cycling ON with heating or cooling. In heat mode, the fan will run for 30 seconds beyond compressor shutdown in both occupied and unoccupied mode.

Filter Maintenance Timer

The controller filter status is based on the unit fan's cumulative run hours. The controller compares the fan run time against an adjustable fan run hours limit and recommends unit maintenance as required.

High and Low Pressure Switches

The Symbio 400-B/UC400-B detects the state of the high pressure or low pressure switches. When a fault is sensed by one of these switches, the corresponding message is sent to the controller to be logged into the fault log. When the circuit returns to normal, the high pressure control and low pressure control automatically reset. If a second fault is detected within a thirty-minute time span, the unit must be manually reset.

Occupancy Modes

The four operations of the Symbio 400-B/UC400-B controller include occupied, occupied standby, occupied bypass and unoccupied.

In an occupied situation, the controller uses occupied heating and cooling setpoints to provide heating and cooling to the building. This occupied operation is normally used during the daytime hours when the building is at the highest occupancy level.

In an occupied standby situation, the controllers heating and cooling setpoints are usually wider than the occupied setpoints. This occupied standby operation is used during daytime hours when people are not present in the space (such as lunchtime or recess). To determine the space occupancy, an occupancy sensor is applied.

In an unoccupied situation, the controller assumes the building is vacant, which normally falls in evening hours when a space may be empty. In the unoccupied mode, the controller uses the default unoccupied heating and cooling setpoints stored in the controller. When the building is in unoccupied mode, individual units may be manually placed into timed override of the unoccupied mode at the units wall sensor. During timed override, the controller interprets the request and initiates the occupied setpoint operation, then reports the effective occupancy mode as occupied bypass.

In the occupied bypass mode, the controller applies the occupied heating and cooling setpoint for a 120-minute time limit.

Random Start

To prevent all of the units in a building from energizing major loads at the same time, the controller observes a random start from 0 to 25 seconds. This timer halts the controller until the random start time expires.

Reversing Valve Operation

For cooling, the reversing valve output is energized simultaneously with the compressor. It will remain energized until the controller turns on the compressor for heating. At this time, the reversing valve moves to a de-energized state. In the event of a power failure or controller OFF situation, the reversing valve output will default to the heating (de-energized) state.

¹ For 6 to 25 ton units, applicable to single and dual circuited

Entering Water Temperature Sampling

The controller will sample the entering water temperature to determine proper control action for units equipped with boilerless electric heat or waterside economizer.

Waterside Economizer

Entering water temperature (EWT) sampling will automatically occur at power up when the unit is equipped with a waterside economizer (WSE). The EWT is used to determine if economizing is feasible. When the conditions are met, the two-position isolation valve(s) are driven open for three minutes and the EWT reading is taken. The determination as to whether or not the economizer can be enabled will be made and the controller will take appropriate action. The isolation valve will remain open regardless if the WSE or the DX cooling is enabled.

The unit's waterside economizer will contain a 2-position water valve wired to the controller. The economizing water coil will be optimized to provide 100% of the unit capacity at 80.6°F/66.2°F return air temperature with 45°F entering water. The flow rate is established at 86 F entering water temperature and 96°F leaving water temperature.

Low leaving air protection will be furnished to protect the unit against delivering air that is cold enough to sweat discharge air grilles. Coil icing protection will also be provided.

Waterside economizer cooling will be active during occupied, unoccupied and standby cooling modes.

Water Isolation Valve

Variable speed pumping systems are supported by the controller when two-position water isolation valves (12 VA max) are present. The valves are normally closed unless DX heating, DX cooling, waterside economizer or dehumidification is requested. When the two-position isolation valves are driven open for operation, the outputs will be driven for 20 seconds to ensure adequate water flow before the compressor outputs are energized.

Isolation Valve “ON” Control

The two-position isolation valve output will be energized (controlled open) during compressor heating, compressor cooling, waterside economizing or dehumidification.

When the isolation valve is driven open for compressor operation, the output will be energized 20 seconds (configurable) prior to the compressor and indoor fan (if not already energized) outputs to ensure adequate water flow to the heat exchanger.

Isolation Valve “OFF” Control

The two-position isolation valve output will be de-energized (controlled closed) when there is no longer a call for compressor or WSE operation. The valve will remain open for 1 minute after call to disable compressor or WSE.

Trane® Air-Fi® Wireless Systems



Trane Air-Fi wireless systems provides significant advantages to better meet customer by providing a lower initial cost; ease of installation for reduced risk; increased reliability and flexibility for easier problem solving; and fewer maintenance issues for worry-free operation and cost savings over the life of the system. Trane Air-Fi wireless systems helps save time and money, with industry-leading technology and performance.

Air-Fi® Wireless Communications Interface (WCI)

The Air-Fi Wireless Communications Interface (WCI) enables wireless communications between system controls, unit controls, and wireless sensors for Trane control products that use the BACnet® protocol. The WCI replaces the need for communications wire in all system applications.

The WCI is available in three configurations:

- The universal model is the most common. It installs the same as a wired zone sensor in indoor applications.
- The outdoor model is housed in an enclosure suitable for outdoor environments. It is usually used on equipment above the roof deck.
- The flush mount model is used on fan coils, blower coils, and unit ventilators.

Air-Fi® Wireless Communications Sensor (WCS)

The Air-Fi Wireless Communications Sensor (WCS) is compatible with any Trane controller that uses a WCI, except the Tracer SC. The WCS provides the same functions as many currently available Trane wired sensors. No further software or hardware is necessary for site evaluation, installation, or maintenance. Space temperature is standard on all models. (A service tool cannot be connected to a Trane wireless sensor.)

Several WCS models are available:

- CO₂ with occupancy WCS-SCO₂
- Digital display (WCS-SD) model
- Occupancy WCS-SO
- Base (WCS-SB) model has no exposed display or user interface
- 2% relative humidity sensor module (WCS-SH), which can be field installed inside either the WCS

In most applications, one WCS sensor is used per WCI acting as a router. However, up to six (6) WCS sensors can be associated to a single equipment controller or BCI.

Compatibility with Previous Generation Wireless Zone Products

Our previous line of wireless zone sensors (WZS, WTS, and WDS) are not compatible with the Air-Fi® Wireless Communications Interface (WCI).

The new Air-Fi Wireless Communications Sensor (WCS) are compatible with old WCIs that have updated firmware.

Wired Zone Sensors

Wired zone sensors can be used with Air-Fi® wireless systems.

Thermostats and Zone Sensors

Table 101. Thermostat selection for use with the Deluxe controller













Thermostat	Part Number	Description
	X13511535010	1 Heat/1 Cool, non-programmable commercial thermostat for conventional air conditioners and heat pumps that are configured without auxiliary heat <ul style="list-style-type: none"> • 1 H/1 C
	X13511536010	3 Heat/2 Cool, non-programmable commercial thermostat for conventional air conditioners and heat pumps that are configured with or without auxiliary heat. <ul style="list-style-type: none"> • 3 H/2 C
	X13511537010	3 Heat/2 Cool, programmable commercial thermostat for conventional (rooftop) air conditioners and heat pumps that are configured with or without auxiliary heat. <ul style="list-style-type: none"> • 3 H/2 C
	X13511538010	3Heat/2 Cool, programmable touch screen thermostat for conventional air conditioners and heat pump systems. The thermostat will provide the human interface, zone temperature sensing both local and optional remote temperature sensing, and set point scheduling on a daily/weekly basis. This thermostat can also display humidity with a control signal for dehumidification with a local humidity sensor or optional remote humidity sensor. <ul style="list-style-type: none"> • 3 H/2 C
	Pivot — BAYSTAT814A-W.	Pivot Smart Thermostat is a Wi-Fi/ethernet thermostat for commercial applications. It has a very simple interface for occupants to adjust the thermostat. Cooling and heating control of multiple systems is made even easier and faster when connected to the Pivot App. Supports 2 stage heat pump with auxiliary heat.
	XL824 - TCONT824AS52DB.	The XL824 Smart thermostat is a Wi-Fi/ethernet thermostat for Residential applications such as single family homes, condominiums and apartments. Supports 2 stage heat pump with auxiliary heat. The XL824 can be connected to the Nexia Home App and other home automation systems.

Table 102. Zone sensor selection for use with Symbio™ 400-B/Tracer® UC400-B controller

Sensor	Part Number	Description
	X13790886010	Wired temperature sensor with an LCD display <ul style="list-style-type: none"> • Allows an occupant to control the temperature setpoint, request timed override of system operation, and provides a COMM module to service technicians. Symbio 400-B/UC400-B Compatible
	X13651467020	Communication Module <ul style="list-style-type: none"> • Sold in packs of 12 • Provides local RJ22 connection to Trane® service tools for easy, low cost maintenance.
	X13511529010	Zone Sensor <ul style="list-style-type: none"> • Symbio 400-B/UC400-B compatible • External setpoint adjustment wheel
	X13511527010	Zone Sensor <ul style="list-style-type: none"> • Symbio 400-B/UC400-B compatible • External setpoint adjustment wheel • ON and CANCEL buttons
	X1379084501	Zone Sensor <ul style="list-style-type: none"> • Symbio 400-B/UC400-B compatible • External setpoint adjustment wheel • ON and CANCEL buttons • Fan switch AUTO-OFF
	X1379044401	Temperature and relative humidity sensor <ul style="list-style-type: none"> • Symbio 400-B/UC400-B compatible



Thermostats and Zone Sensors

Table 102. Zone sensor selection for use with Symbio™ 400-B/Tracer® UC400-B controller (continued)






Sensor	Part Number	Description
	X13790993001	<p>Commercial Touch Screen Programmable Zone Sensor</p> <ul style="list-style-type: none"> • Supports Standby, Occupied, and Unoccupied • 7 day, 5+2 day, and 5+1+1 day • Cannot be used with BAS as sensor ties up BACnet link. For use with factory-programmed Symbio 400-B/UC400-B. <p>Notes:</p> <ul style="list-style-type: none"> • <i>Adjusting the rotary switch on Symbio 400-B/UC400-B may be required to correspond address configuration in the sensor. See the installation manual for more information.</i> • <i>Additional configuration is needed in the field to use the Programmable zone sensors (to put BAS points in service on Symbio 400-B/UC400-B).</i>
	X13790992001	<p>Residential Touch Screen Programmable Zone Sensor</p> <ul style="list-style-type: none"> • Supports Awake, Away, Home, and Sleep • 7 day, 5+2 day, and 5+1+1 day • Cannot be used with BAS as sensor ties up BACnet link. For use with factory-programmed Symbio 400-B/UC400-B. <p>Notes:</p> <ul style="list-style-type: none"> • <i>Adjusting the rotary switch on Symbio 400-B/UC400-B may be required to correspond address configuration in the sensor. See the installation manual for more information.</i> • <i>Additional configuration is needed in the field to use the Programmable zone sensors (to put BAS points in service on Symbio 400-B/UC400-B).</i>

Table 103. Wireless zone sensor selection for use with Symbio 400-B/UC400-B controller

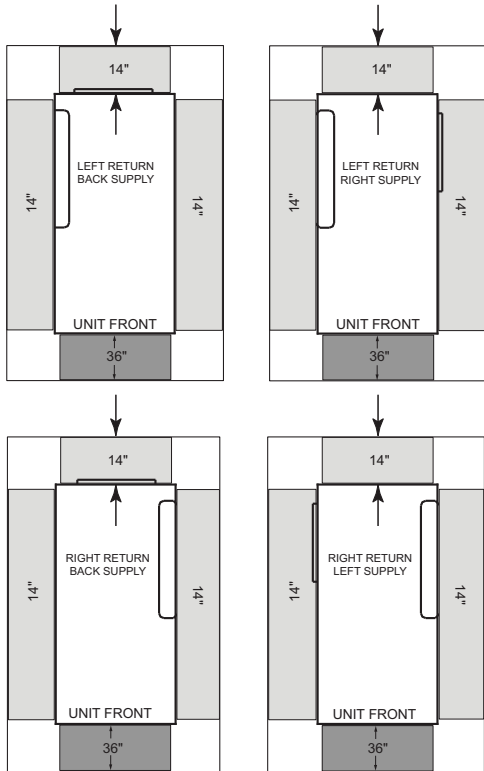
Sensor	Part Number	Description
	X13790955010	<p>Trane Air-Fi@ WCS-SD (display)</p> <ul style="list-style-type: none"> • Symbio 400-B/UC400-B Compatible • Easy-to-use interface for clear and simple monitoring and control
	X13790956010	<p>Trane Air-Fi WCS-SB (base)</p> <ul style="list-style-type: none"> • Symbio 400-B/UC400-B Compatible • Simplicity • Eliminates local temperature control when higher control level is required.
	X13790973030	<p>Wireless communications sensor accessory—2% relative humidity (RH) sensor module (WCS-SH) The optional RH sensor module plugs in to any WCS model, further simplifying installation by eliminating the needed for additional wiring.</p>

Dimensional Data

Service Clearances

Per NEC requirements, 36 inches of access and working space shall be provided and maintained around all control boxes and electrical equipment to permit ready and safe operation and maintenance of such equipment. Local codes may require more clearance to electrical equipment. Check all code requirements prior to unit installation.

Figure 20. Clearances - EXH/DXH 0.75 to 6 tons



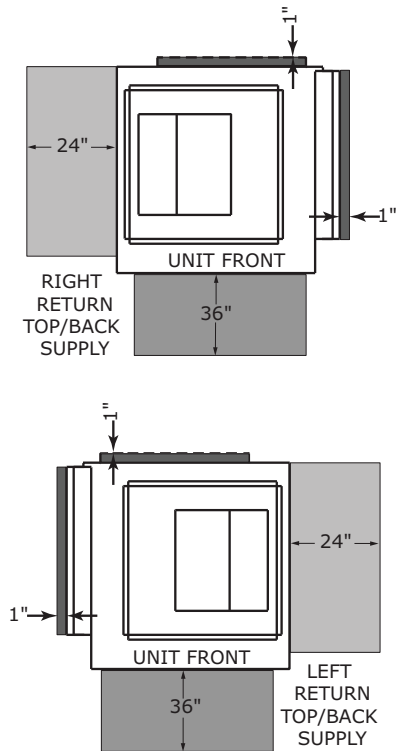
A minimum 14-inch clearance for servicing the unit is required for all EXH 0.75 to 6 tons configurations from other mechanical and electrical equipment (where shown) to enable panel removal from the unit for service/maintenance ability. The optimum clearance required is 20 inches.

Notes:

- *Return air direction (left-hand or right hand) is NOT field convertible. Units must be ordered with correct return air side.*
- *For horizontal models, be sure to allow enough clearance between the condensate drain and the ceiling to allow for pitching of the condensate line. See for pitching requirements.*

Dimensional Data

Figure 21. Clearance – EXVG/DXVG 0.75 to 6 tons



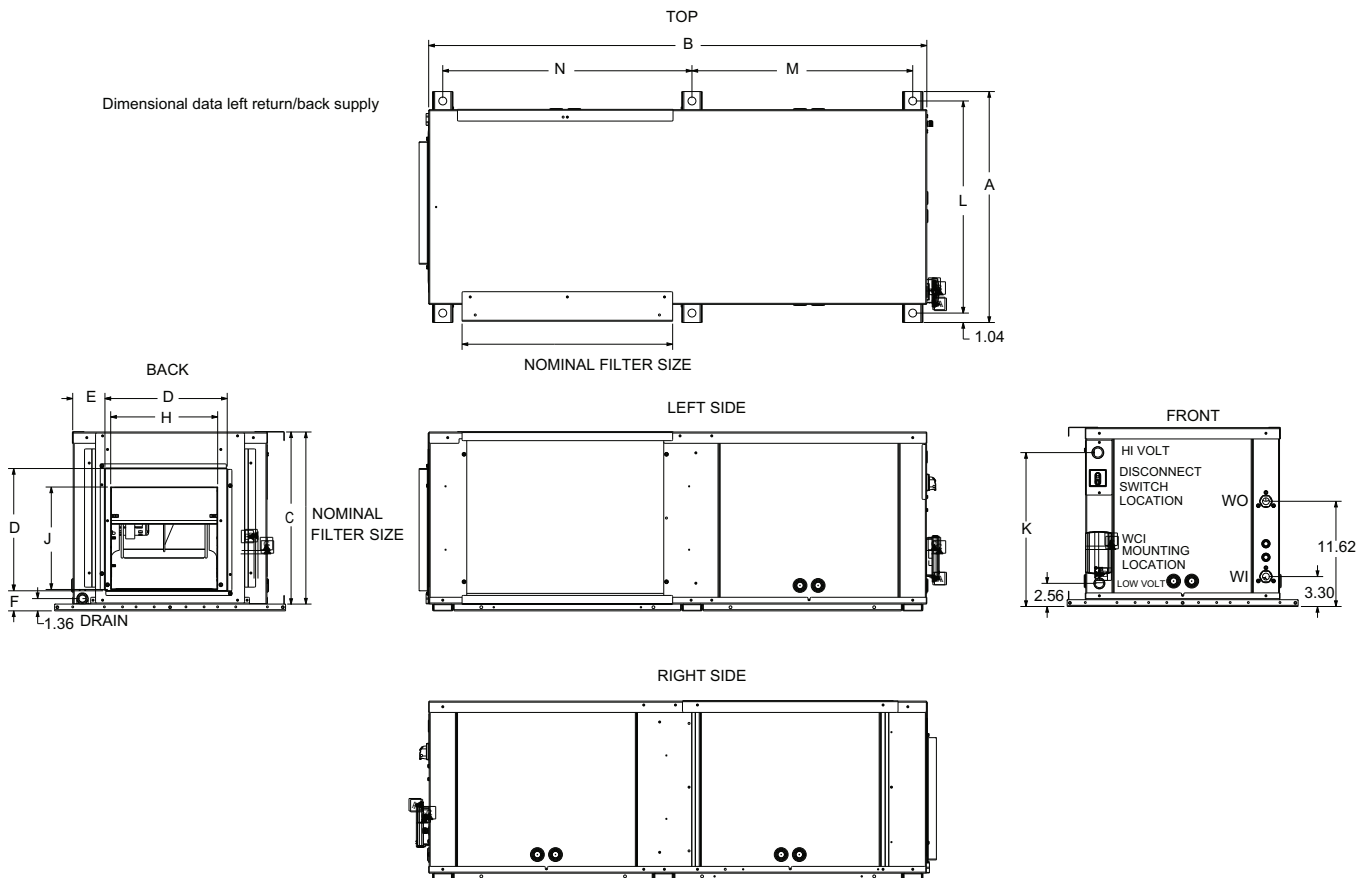
A 24-inch clearance from other mechanical and electrical equipment (where shown) is recommended for most unit configurations. This will enable panel removal from the unit for service/maintenance.

The 24-inch side clearance on EXVG/DXVG 0.75 to 6T models is for optimal access only. Side clearance is not a requirement as most components can be accessed from the front of the unit.

A 1-inch minimum clearance between the filter rack and any obstacle is required for units in a free return application to provide proper air flow to the air-to-refrigerant coil. A 12-inch minimum clearance between the filter rack and any obstacle should be provided to properly attached ductwork.

The 1-inch dimension shown in the back of the unit represents the supply duct collar for the back supply option. This clearance is needed to clear these flanges.

Unit Dimensions

Figure 22. Left return/back supply (EXHG/DXHG)

Table 104. Horizontal cabinet dimensions left return/back supply (EXHG/DXHG)

EXHG	DXHG	Width	Depth	Height
009, 012	—	21.50	46.00	17.00
015	—	21.50	49.00	18.00
018, 024	024	21.50	55.00	19.00
030, 036	036	24.00	68.00	21.00
042, 048	048	25.38	77.75	21.38
060, 070	060, 070	25.38	86.75	21.38

Note: Cabinet dimensions only. Not including hanging brackets and base rails.

Table 105. Dimensional data left return/back supply (EXHG/DXHG)

Unit	Width	Depth	Height	Duct Collar		Blower Opening		Hi Volt	Unit hanging location			Nominal Filter Size	W.I. NPTI	W.O. NPTI	DRAIN NPTI	
	A	B	C	D	E	F	H	J	K	L	M					N
EXHG009, EXHG012	25.50	46.00	17.75	13.50	3.50	2.00	10.13	9.38	15.00	23.50	19.88	23.00	17 x 20	0.50	0.50	0.75
EXHG015	25.50	49.00	18.75	13.50	3.88	2.25	10.50	11.25	16.00	23.50	21.38	24.50	17 x 20	0.75	0.75	0.75
EXHG018, EXHG/DXHG024	25.50	55.00	19.75	13.50	3.50	2.25	11.75	11.25	17.00	23.50	24.38	27.50	18 x 23	0.75	0.75	0.75
EXHG030, EXHG/DXHG036	28.00	68.00	21.75	16.50	3.63	2.13	13.88	13.50	19.00	26.00	30.88	34.00	20 x 30	1.00	1.00	0.75



Dimensional Data

Table 105. Dimensional data left return/back supply (EXHG/DXHG) (continued)

Unit	Width			Depth			Height			Duct Collar			Duct Collar Location		Blower Opening		Hi Volt	Unit hanging location			Nominal Filter Size	W.I. NPTI	W.O. NPTI	DRAIN NPTI
	A	B	C	D	E	F	H	J	K	L	M	N												
EXHG042, EXHG/DXHG048	29.38	77.75	22.13	16.50	3.50	2.50	13.88	13.50	19.25	27.25	30.88	43.75	20 x 20 (x2)	1.00	1.00	0.75								
EXHG/DXHG060, 070	29.38	86.75	22.13	16.50	3.50	2.50	13.88	13.50	19.25	27.25	30.88	52.75	20 x 20, 20 x 30	1.00	1.00	0.75								

Note: Dimensions represent unit hanging dimensions including base rails for hanging.

Figure 23. Left return/right supply (EXHG/DXHG)

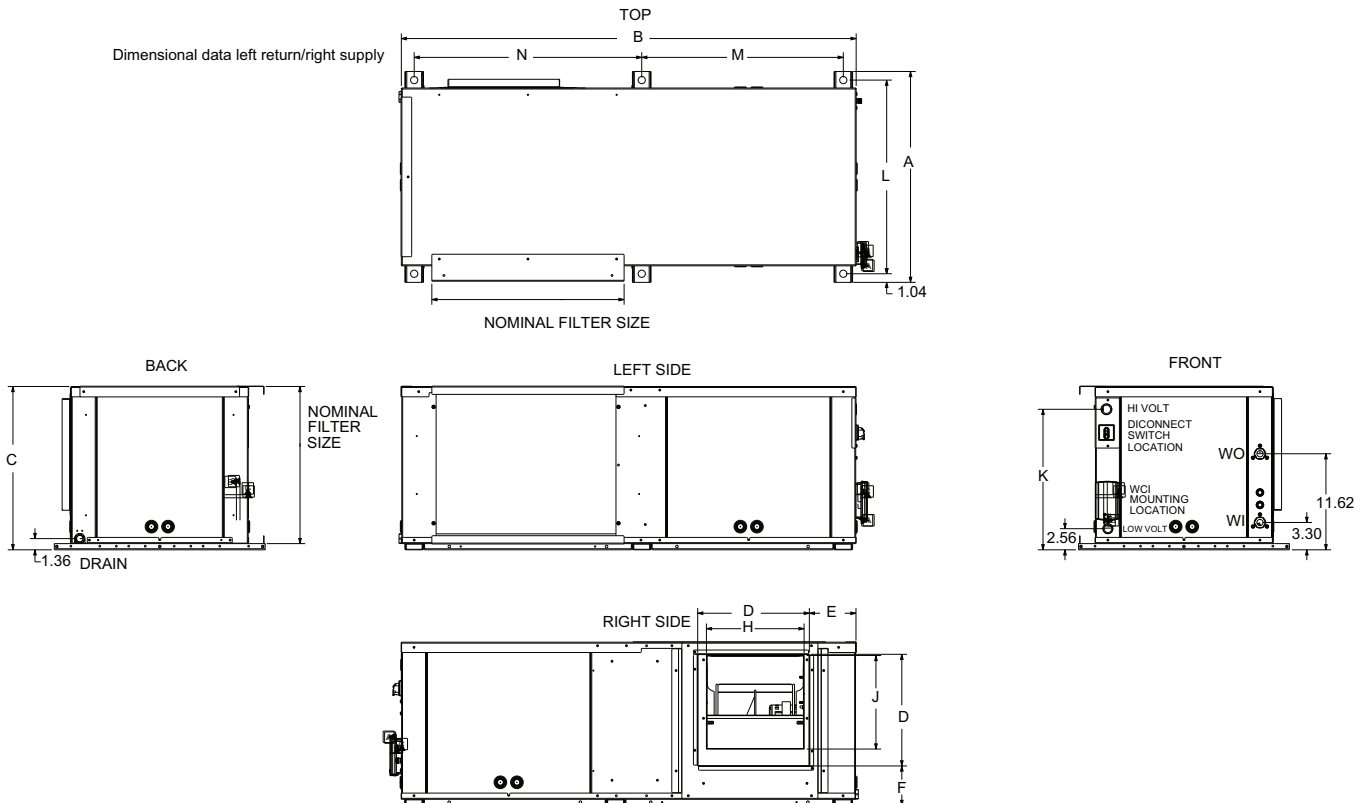


Table 106. Horizontal cabinet dimensions left return/right supply (EXHG/DXHG)

EXHG	DXHG	Width	Depth	Height
009, 012	—	21.50	46.00	17.00
015	—	21.50	49.00	18.00
018, 024	024	21.50	55.00	19.00
030, 036	036	24.00	68.00	21.00
042, 048	048	25.38	77.75	21.38
060, 070	060, 070	25.38	86.75	21.38

Note: Cabinet dimensions only. Not including hanging brackets and base rails.

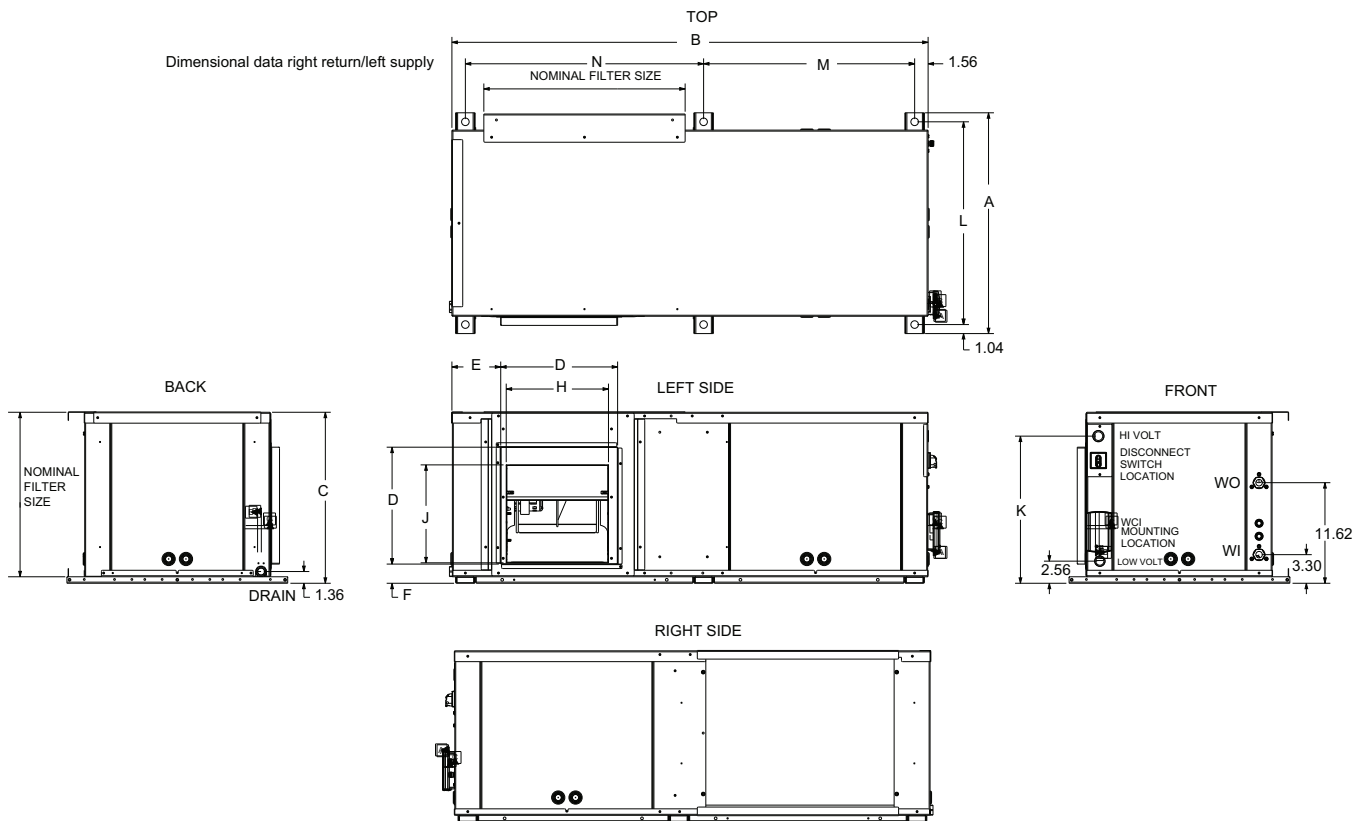
Table 107. Dimensional data left return/right supply (EXHG/DXHG)

Units	Width			Depth			Height			Duct Collar			Duct Collar Location		Blower Opening		Hi Volt	Unit hanging location			Nominal Filter Size	W.I. NPTI	W.O. NPTI	DRAIN NPTI
	A	B	C	D	E	F	H	J	K	L	M	N												
EXHG009, EXHG012	25.50	46.00	17.75	13.50	3.38	3.00	10.13	9.38	15.00	23.50	19.88	23.00	17 x 20	0.50	0.50	0.75								
EXHG015	25.50	49.00	18.75	13.50	5.88	4.00	10.50	11.25	16.00	23.50	21.38	24.50	17 x 20	0.75	0.75	0.75								

Table 107. Dimensional data left return/right supply (EXHG/DXHG) (continued)

Units	Width	Depth	Height	Duct Collar	Duct Collar Location		Blower Opening		Hi Volt	Unit hanging location			Nominal Filter Size	W.I. NPTI	W.O. NPTI	DRAIN NPTI
	A	B	C	D	E	F	H	J	K	L	M	N				
EXHG018, EXHG/DXHG024	25.50	55.00	19.75	13.50	5.63	4.75	11.75	11.25	17.00	23.50	24.38	27.50	18 x 23	0.75	0.75	0.75
EXHG030, EXHG/DXHG036	28.00	68.00	21.75	16.50	5.63	3.88	13.88	13.50	19.00	26.00	30.88	34.00	20 x 30	1.00	1.00	0.75
EXHG042, EXHG/DXHG048	29.38	77.75	22.13	16.50	5.63	3.75	13.88	13.50	19.25	27.25	30.88	43.75	20 x 20 (x2)	1.00	1.00	0.75
EXHG/DXHG060, 070	29.38	86.75	22.13	16.50	5.63	3.75	13.88	13.50	19.25	27.25	30.88	52.75	20 x 20, 20 x 30	1.00	1.00	0.75

Note: Dimensions represent unit hanging dimensions including base rails for hanging.

Figure 24. Right return/left supply (EXHG/DXHG)

Table 108. Horizontal cabinet dimensions right return/left supply (EXHG/DXHG)

EXHG	DXHG	Width	Depth	Height
009, 012	—	21.50	46.00	17.00
015	—	21.50	49.00	18.00
018, 024	024	21.50	55.00	19.00
030, 036	036	24.00	68.00	21.00
042, 048	048	25.38	77.75	21.38
060, 070	060, 070	25.38	86.75	21.38

Note: Cabinet dimensions only. Not including hanging brackets and base rails.

Dimensional Data

Table 109. Dimensional data right return/left supply (EXHG/DXHG)

Unit	Width			Depth			Height			Duct Collar			Duct Collar Location		Blower Opening		Hi Volt	Unit hanging location			Nominal Filter Size	W.I. NPTI	W.O. NPTI	DRAIN NPTI
	A	B	C	D	E	F	H	J	K	L	M	N	H	J	K	L	M	N						
EXHG009, EXHG012	25.50	46.00	17.75	13.50	5.50	2.00	10.13	9.38	15.00	23.50	19.88	23.00	10.13	9.38	15.00	23.50	19.88	23.00	17 x 20	0.50	0.50	0.75		
EXHG015	25.50	49.00	18.75	13.50	5.88	2.25	10.50	11.25	16.00	23.50	21.38	24.50	10.50	11.25	16.00	23.50	21.38	24.50	17 x 20	0.75	0.75	0.75		
EXHG018, EXHG/DXHG024	25.50	55.00	19.75	13.50	5.63	2.25	11.75	11.25	17.00	23.50	24.38	27.50	11.75	11.25	17.00	23.50	24.38	27.50	18 x 23	0.75	0.75	0.75		
EXHG030, EXHG/DXHG036	28.00	68.00	21.75	16.50	5.63	2.13	13.88	13.50	19.00	26.00	30.88	34.00	13.88	13.50	19.00	26.00	30.88	34.00	20 x 30	1.00	1.00	0.75		
EXHG042, EXHG/DXHG048	29.38	77.75	22.13	16.50	5.63	2.50	13.88	13.50	19.25	27.25	30.88	43.75	13.88	13.50	19.25	27.25	30.88	43.75	20 x 20 (x2)	1.00	1.00	0.75		
EXHG/DXHG060, 070	29.38	86.75	22.13	16.50	5.63	2.50	13.88	13.50	19.25	27.25	30.88	52.75	13.88	13.50	19.25	27.25	30.88	52.75	20 x 20, 20 x 30	1.00	1.00	0.75		

Note: Dimensions represent unit hanging dimensions including base rails for hanging.

Figure 25. Right return/back supply (EXHG/DXHG)

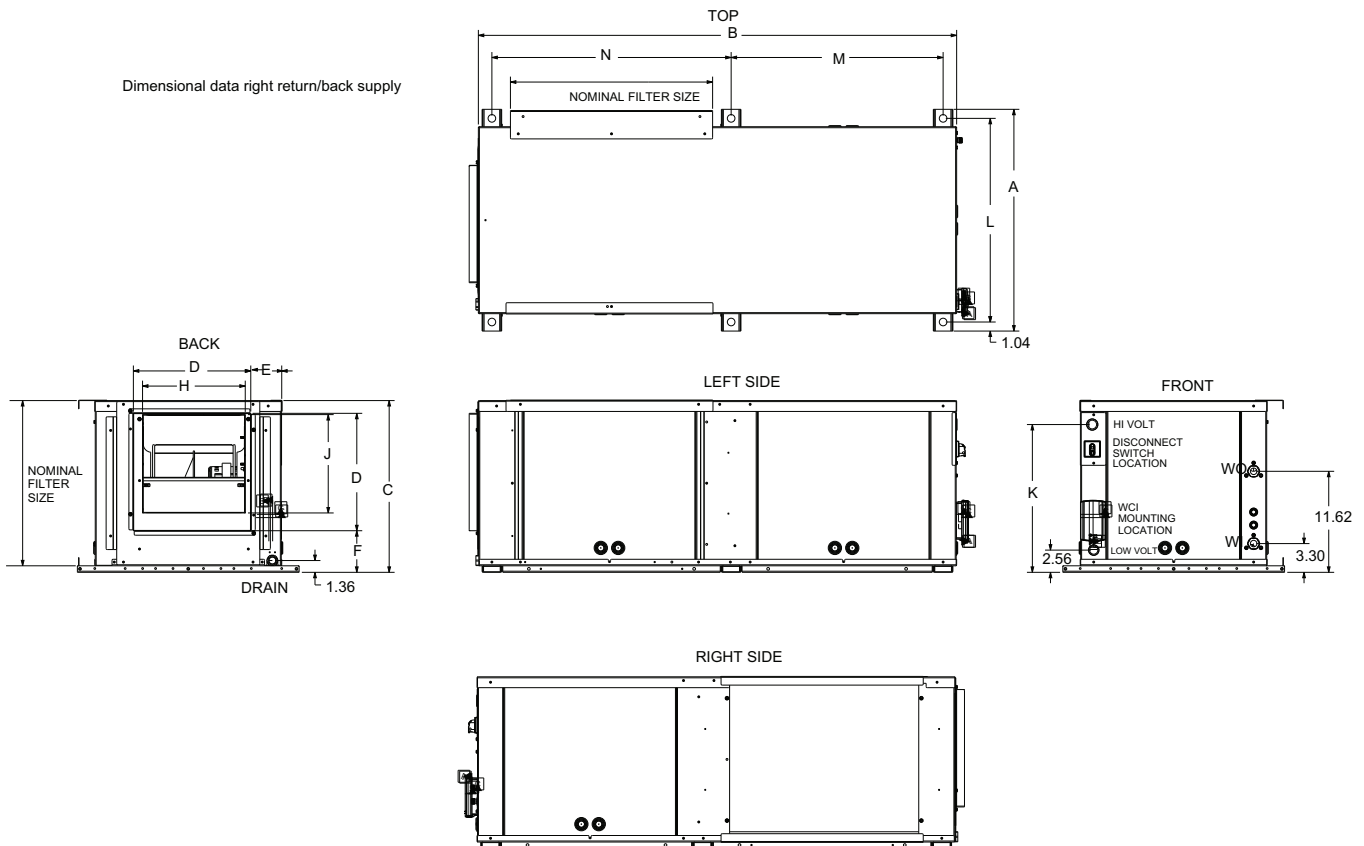


Table 110. Dimensional data right return/back supply (EXHG/DXHG)

Unit	Width			Depth			Height			Duct Collar			Duct Collar Location		Blower Opening		Hi Volt	Unit hanging location			Nominal Filter Size	W.I. NPTI	W.O. NPTI	DRAIN NPTI
	A	B	C	D	E	F	H	J	K	L	M	N	H	J	K	L	M	N						
EXHG009, EXHG012	25.50	46.00	17.75	13.50	3.25	3.00	10.13	9.38	15.00	23.50	19.88	23.00	10.13	9.38	15.00	23.50	19.88	23.00	17 x 20	0.50	0.50	0.75		
EXHG015	25.50	49.00	18.75	13.50	3.88	4.00	10.50	11.25	16.00	23.50	21.38	24.50	10.50	11.25	16.00	23.50	21.38	24.50	17 x 20	0.75	0.75	0.75		

Table 110. Dimensional data right return/back supply (EXHG/DXHG) (continued)

Unit	Width	Depth	Height	Duct Collar	Duct Collar Location		Blower Opening		Hi Volt	Unit hanging location			Nominal Filter Size	W.I. NPTI	W.O. NPTI	DRAIN NPTI
	A	B	C	D	E	F	H	J	K	L	M	N				
EXHG018, EXHG/DXHG024	25.50	55.00	19.75	13.50	3.50	4.75	11.75	11.25	17.00	23.50	24.38	27.50	18 x 23	0.75	0.75	0.75
EXHG030, EXHG/DXHG036	28.00	68.00	21.75	16.50	3.63	3.88	13.88	13.50	19.00	26.00	30.88	34.00	20 x 30	1.00	1.00	0.75
EXHG042, EXHG/DXHG048	29.38	77.75	22.13	16.50	3.50	2.50	13.88	13.50	19.25	27.25	30.88	43.75	20 x 20 (x2)	1.00	1.00	0.75
EXHG/DXHG060, 070	29.38	86.75	22.13	16.50	3.50	3.75	13.88	13.50	19.25	27.25	30.88	52.75	20 x 20, 20 x 30	1.00	1.00	0.75

Note: Dimensions represent unit hanging dimensions including base rails for hanging.

Table 111. Horizontal cabinet dimensions right return/back supply (EXHG/DXHG)

EXHG	DXHG	Width	Depth	Height
009, 012	–	21.50	46.00	17.00
015	–	21.50	49.00	18.00
018, 024	024	21.50	55.00	19.00
030, 036	036	24.00	68.00	21.00
042, 048	048	25.38	77.75	21.38
060, 070	060, 070	25.38	86.75	21.38

Note: Cabinet dimensions only. Not including hanging brackets and base rails.



Dimensional Data

Figure 26. Left return/top supply (EXVG/DXVG)

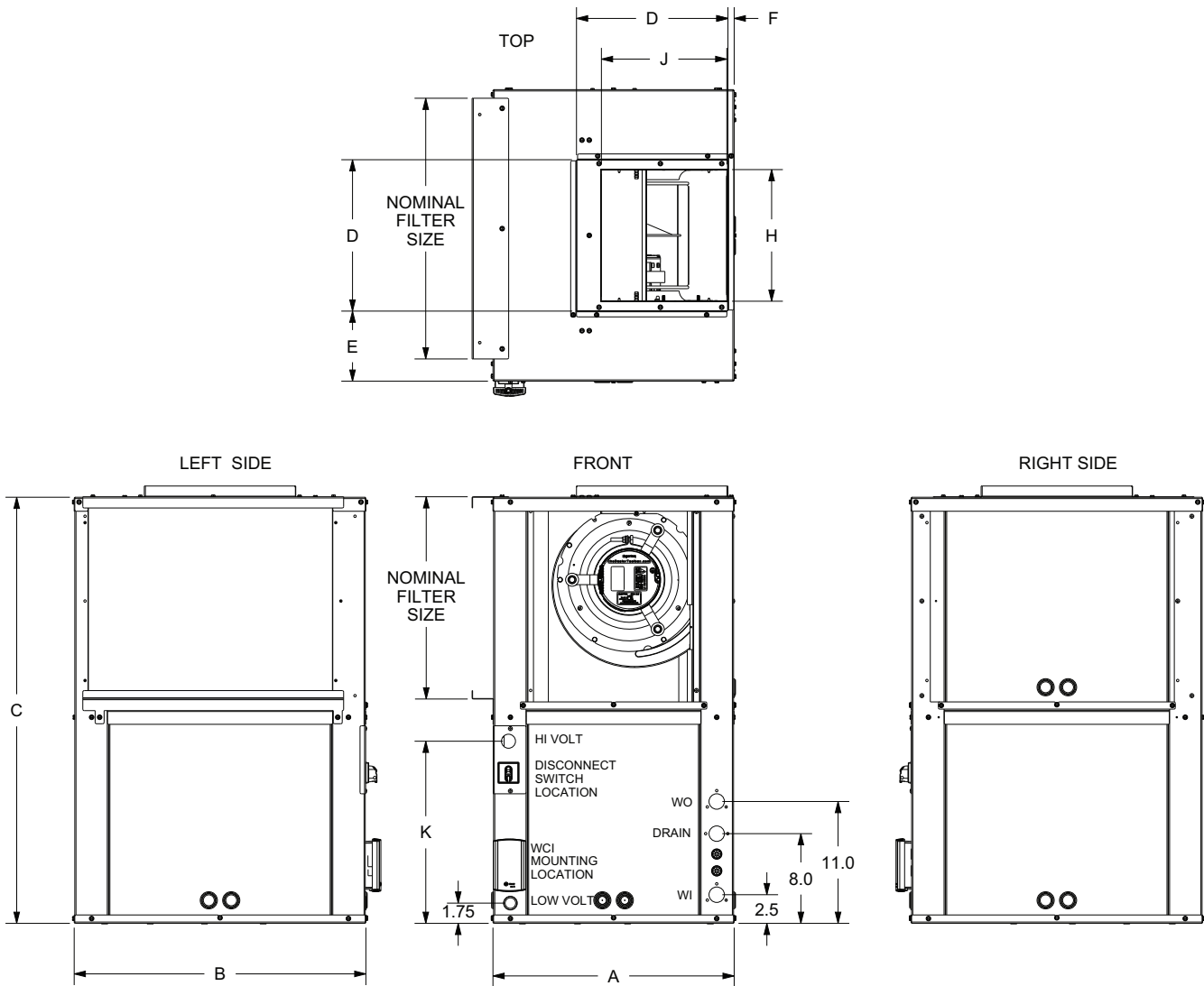
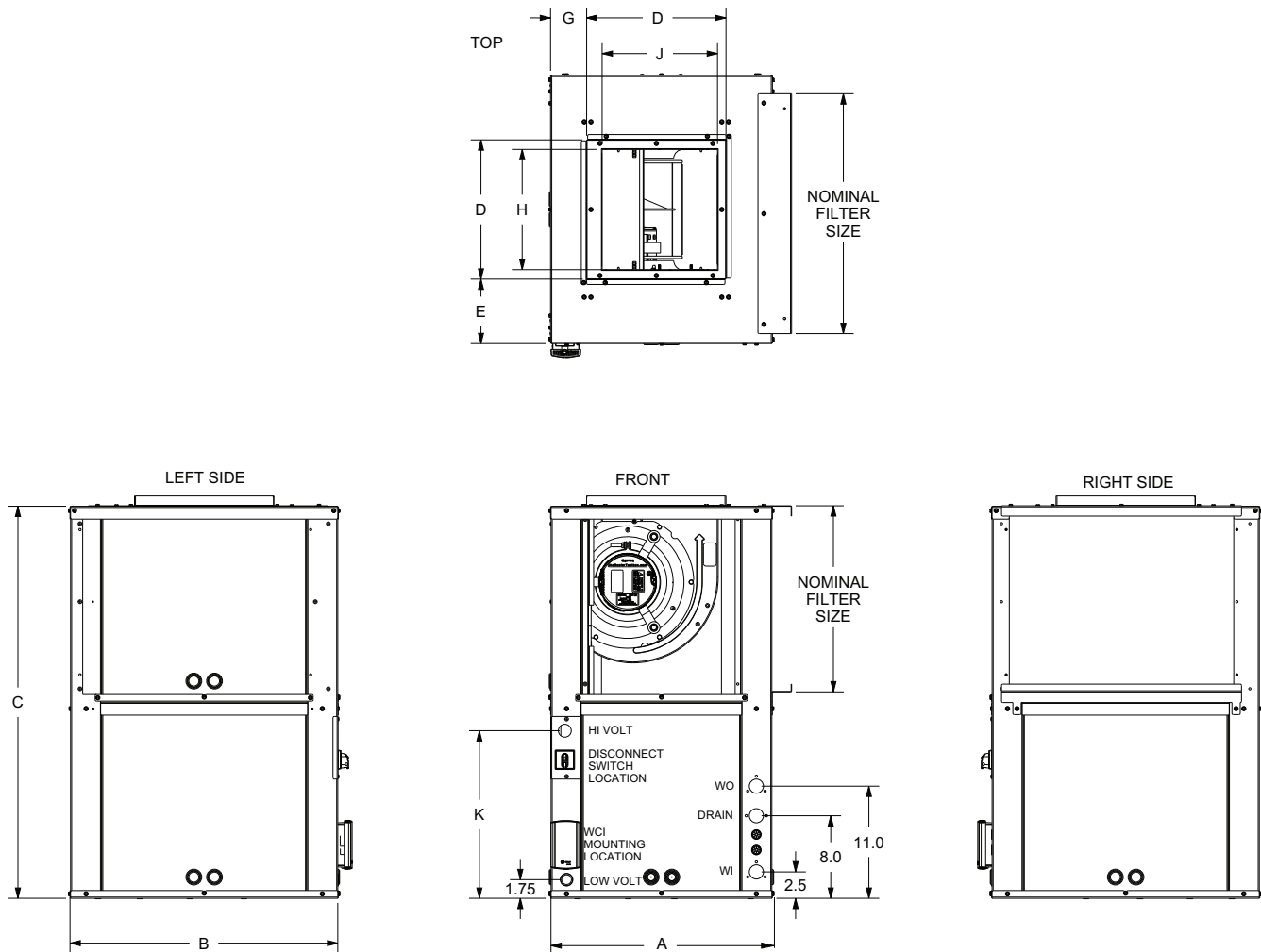


Table 112. Dimensional data left return/top supply (EXVG/DXVG)

Unit	Cabinet			Duct Collar D	Duct Collar Location			Blower Opening		Hi Volt K	Nominal Filter Size	W.I. NPTI	W.O. NPTI	Drain NPTI
	Width A	Depth B	Height C		E	F	G	H	J					
EXVG009-012	21.50	21.50	34.00	13.25	4.00	1.00	3.50	10.50	9.60	14.25	16 x 19	1/2	1/2	3/4
EXVG015	21.50	23.00	36.00	13.25	4.75	0.63	3.50	10.50	11.30	15.25	17 x 20	3/4	3/4	3/4
EXVG018, EXVG/ DXVG024	21.50	26.00	38.00	13.25	6.25	0.63	3.50	11.80	11.30	16.25	18 x 23	3/4	3/4	3/4
EXVG030, EXVG/ DXVG036	24.00	32.50	42.00	16.50	7.25	0.75	3.50	13.70	13.50	18.25	20 x 30	1	1	3/4
EXVG042, EXVG/ DXVG048	25.40	32.50	49.00	16.50	7.25	0.75	3.50	13.70	13.50	18.25	27 x 30	1	1	3/4
EXVG/ DXVG060-070	25.40	32.50	55.00	16.50	7.25	0.75	3.50	13.70	13.50	18.25	30 x 33	1	1	3/4

Note: Units in a free return application will require more than a 1 in. clearance to provide proper air flow to the unit's air-to-refrigerant coil.

Figure 27. Right return/top supply (EXVG/DXVG)

Table 113. Dimensional data right return/top supply (EXVG/DXVG)

Unit	Cabinet			Duct Collar	Duct Collar Location			Blower Opening		Hi Volt	Nominal Filter Size	W.I. NPTI	W.O. NPTI	Drain NPTI
	Width A	Depth B	Height C		E	F	G	H	J					
EXVG009-012	21.50	21.50	34.00	13.25	4.00	1.00	3.50	10.50	9.60	14.25	16 x 19	1/2	1/2	3/4
EXVG015	21.50	23.00	36.00	13.25	4.75	0.63	3.50	10.50	11.30	15.25	17 x 20	3/4	3/4	3/4
EXVG018, EXVG/ DXVG024	21.50	26.00	38.00	13.25	6.25	0.63	3.50	11.80	11.30	16.25	18 x 23	3/4	3/4	3/4
EXVG030, EXVG/ DXVG036	24.00	32.50	42.00	16.50	7.25	0.75	3.50	13.70	13.50	18.25	20 x 30	1	1	3/4
EXVG042, EXVG/ DXVG048	25.40	32.50	49.00	16.50	7.25	0.75	3.50	13.70	13.50	18.25	27 x 30	1	1	3/4
EXVG/ DXVG060-070	25.40	32.50	55.00	16.50	7.25	0.75	3.50	13.70	13.50	18.25	30 x 33	1	1	3/4

Note: Units in a free return application will require more than a 1 in. clearance to provide proper air flow to the unit's air-to-refrigerant coil.



Dimensional Data

Figure 28. Left return/back supply (EXVG/DXVG)

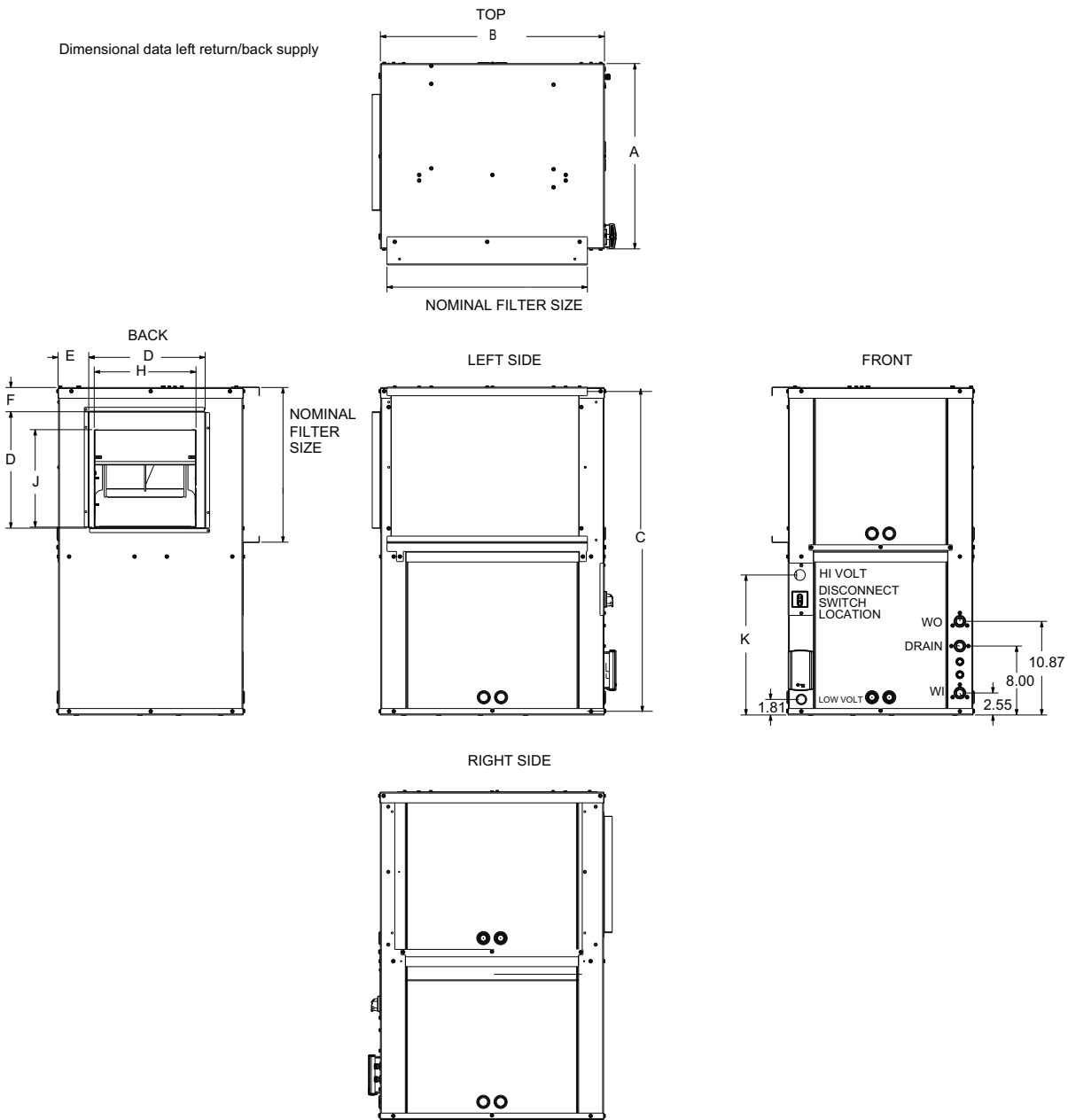
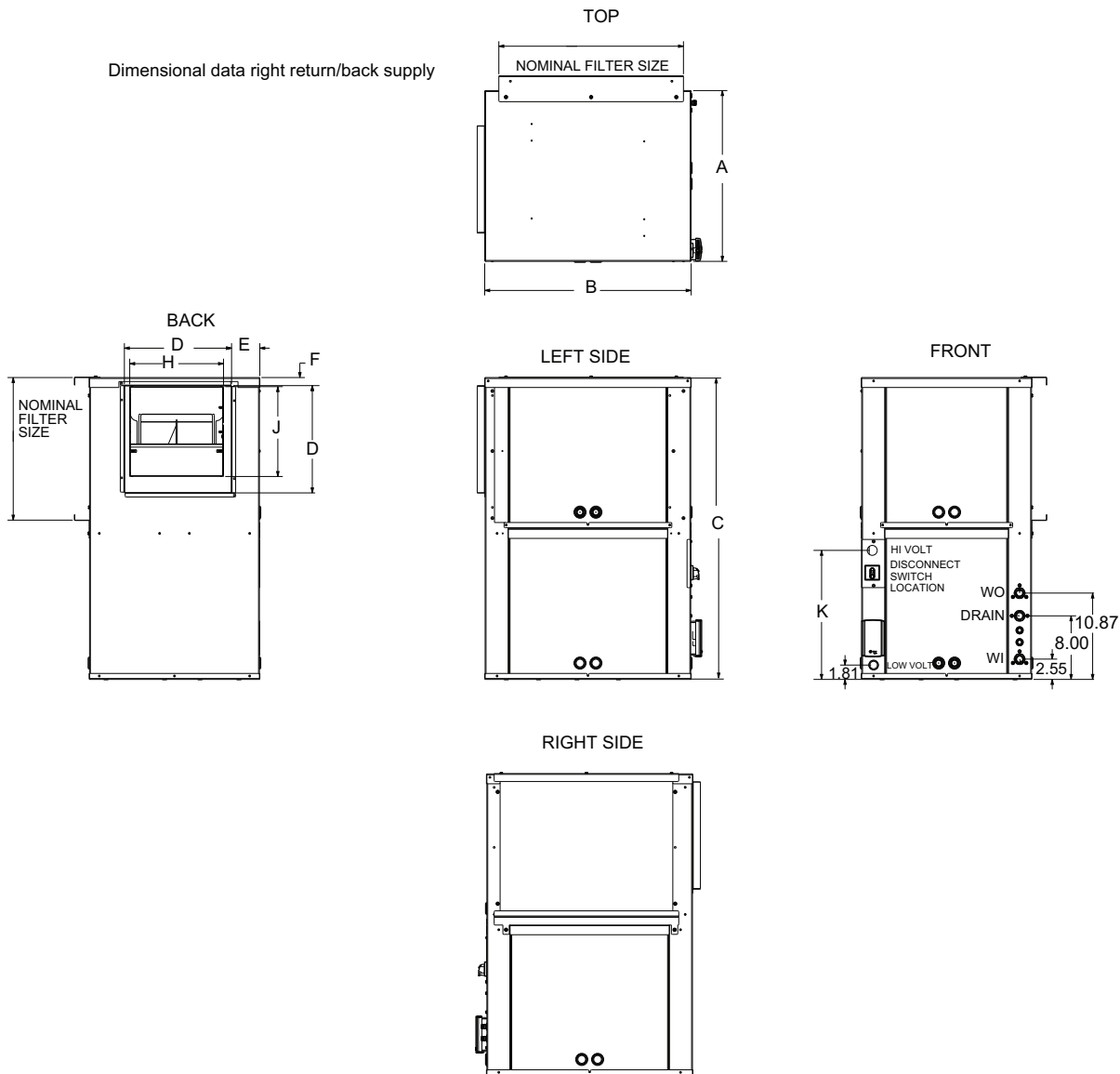


Table 114. Dimensional data left return/back supply (EXVG/DXVG)

Cab	Unit		Width A	Depth B	Height C	Duct Collar Location			Blower Opening		Hi Volt K	Nominal Filter Size	W.I. NPTI	W.O. NPTI	Drain NPTI
	EXVG	DXVG				D	E	F	H	J					
B	009, 012	–	21.50	21.50	34.00	13.50	3.50	2.00	10.13	9.38	14.25	16 x 19	1/2	1/2	3/4
C	015	–	21.50	23.00	36.00	13.50	3.88	2.25	10.50	11.25	15.25	17 x 20	3/4	3/4	3/4
D	018, 024	024	21.50	26.00	38.00	13.50	3.50	2.75	11.75	11.25	16.25	18 x 23	3/4	3/4	3/4
E	030, 036	036	24.00	32.50	42.00	16.50	3.63	2.13	13.88	13.50	18.25	20 x 30	1	1	3/4
F	042, 048	048	25.40	32.50	49.00	16.50	3.50	2.50	13.88	13.50	18.25	27 x 30	1	1	3/4
G	060, 070	060, 070	25.40	32.50	55.00	16.50	3.50	2.50	13.88	13.50	18.25	30 x 33	1	1	3/4

Note: Units in a free return application will require more than a 1 in. clearance to provide proper air flow to the unit's air-to-refrigerant coil.

Figure 29. Right return/back supply (EXVG/DXVG)

Table 115. Dimensional data right return/back supply (EXVG/DXVG)

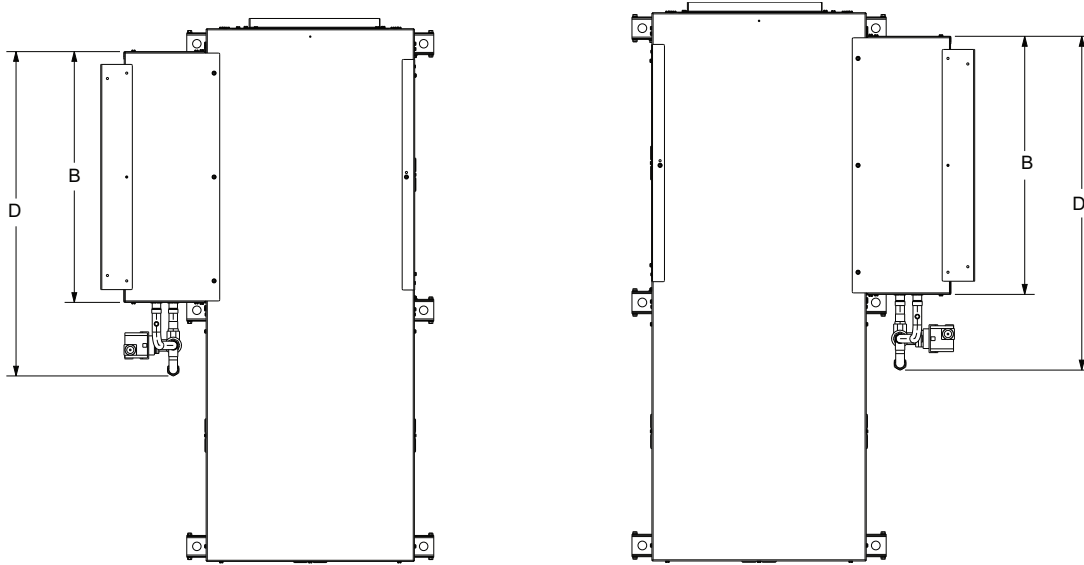
Cab	Unit		Width A	Depth B	Height C	Duct Collar Location			Blower Opening		Hi Volt K	Nominal Filter Size	W.I. NPTI	W.O. NPTI	Drain NPTI
	EXVG	DXVG				D	E	F	H	J					
B	009, 012	–	21.50	21.50	34.00	13.50	3.25	1.00	10.13	9.38	14.25	16 x 19	1/2	1/2	3/4
C	015	–	21.50	23.00	36.00	13.50	3.88	1.00	10.50	11.25	15.25	17 x 20	3/4	3/4	3/4
D	018, 024	024	21.50	26.00	38.00	13.50	3.50	1.00	11.75	11.25	16.25	18 x 23	3/4	3/4	3/4
E	030, 036	036	24.00	32.50	42.00	16.50	3.63	1.00	13.88	13.50	18.25	20 x 30	1	1	3/4
F	042, 048	048	25.40	32.50	49.00	16.50	3.50	1.00	13.88	13.50	18.25	27 x 30	1	1	3/4
G	060, 070	060, 070	25.40	32.50	55.00	16.50	3.50	1.00	13.88	13.50	18.25	30 x 33	1	1	3/4

Note: Units in a free return application will require more than a 1 in. clearance to provide proper air flow to the unit's air-to-refrigerant coil.

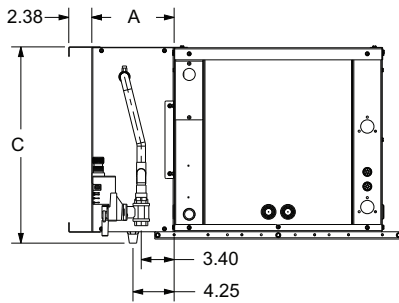


Dimensional Data

Figure 30. Waterside economizer²: (EXHG/DXHG)



2" AIR FILTER (1.38 FOR 1")



2" AIR FILTER (1.38 FOR 1")

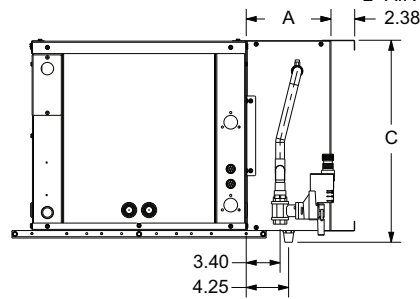
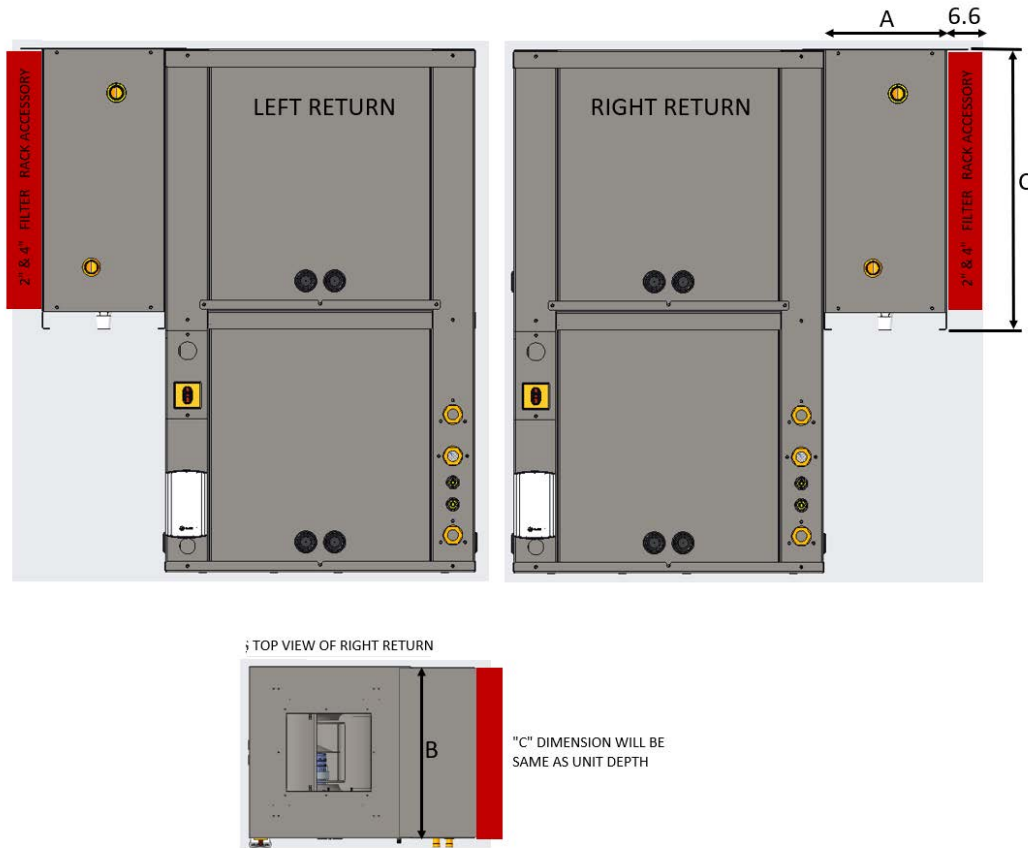


Table 116. Dimensional data waterside economizer (EXHG/DXHG)

Cab	Unit				WSE Dimensions				Pipe Size	
					Width	Depth	Height	Depth W/Piping	A	B
	EXHG	DXHG			A	B	C	D	NPTI	NPTI
B	009	012	–	–	8.5	21.5	18.25	29.00	0.75	0.75
C	015	–	–	–		23.0	19.25	30.50	0.75	0.75
D	018	024	024	–		26.0	22.25	33.50	0.75	0.75
E	030	036	036	–		32.5		38.25	1	1
F	042	048	048	–			29.25	50.50	1	1
G	060	070	060	070			35.25	59.50	1	1

² Waterside economizer installation requires field piping.

Figure 31. Waterside economizer (EXVG/DXVG)

Table 117. Dimensional data waterside economizer (EXVG/DXVG)

Unit	Cabinet	WSE Dimensions		
		A (Width)	B (Depth)	C (Height)
EXVG009-012	B	8.5	21.5	18.25
EXVG015	C	8.5	23.0	19.25
EXVG018-024, DXVG024	D	8.5	26.0	22.25
EXVG030-036, DXVG036	E	8.5	32.5	22.25
EXVG042-048, DXVG048	F	8.5	32.5	29.25
EXVG/DXVG060-070	G	8.5	32.5	35.25

Dimensional Data

Figure 32. Waterside economizer (EXVG/DXVG)

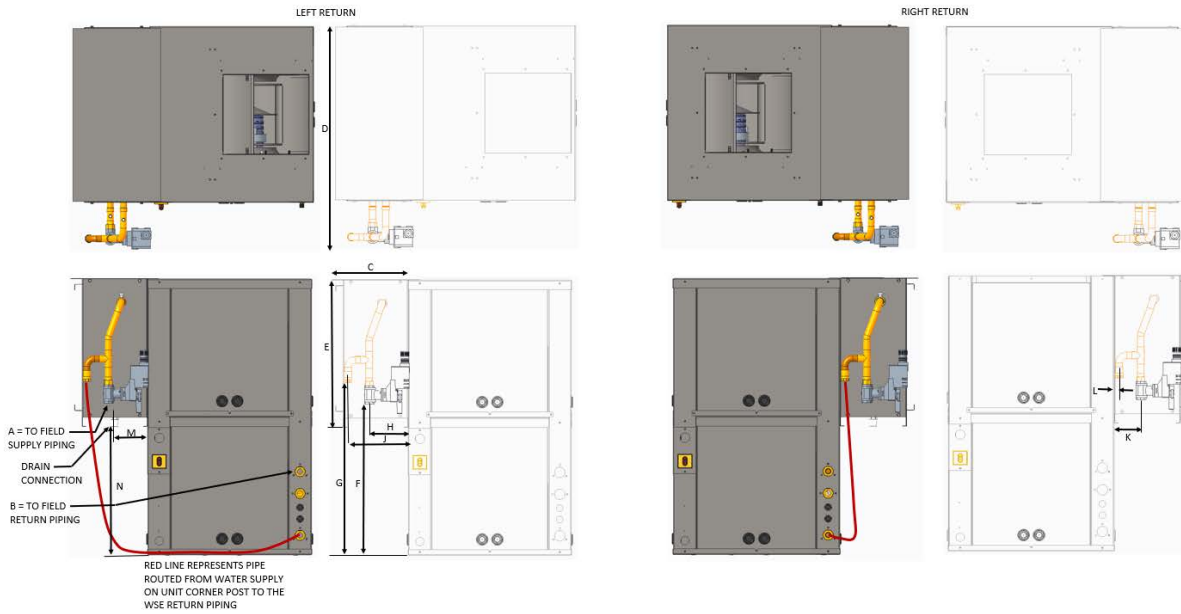
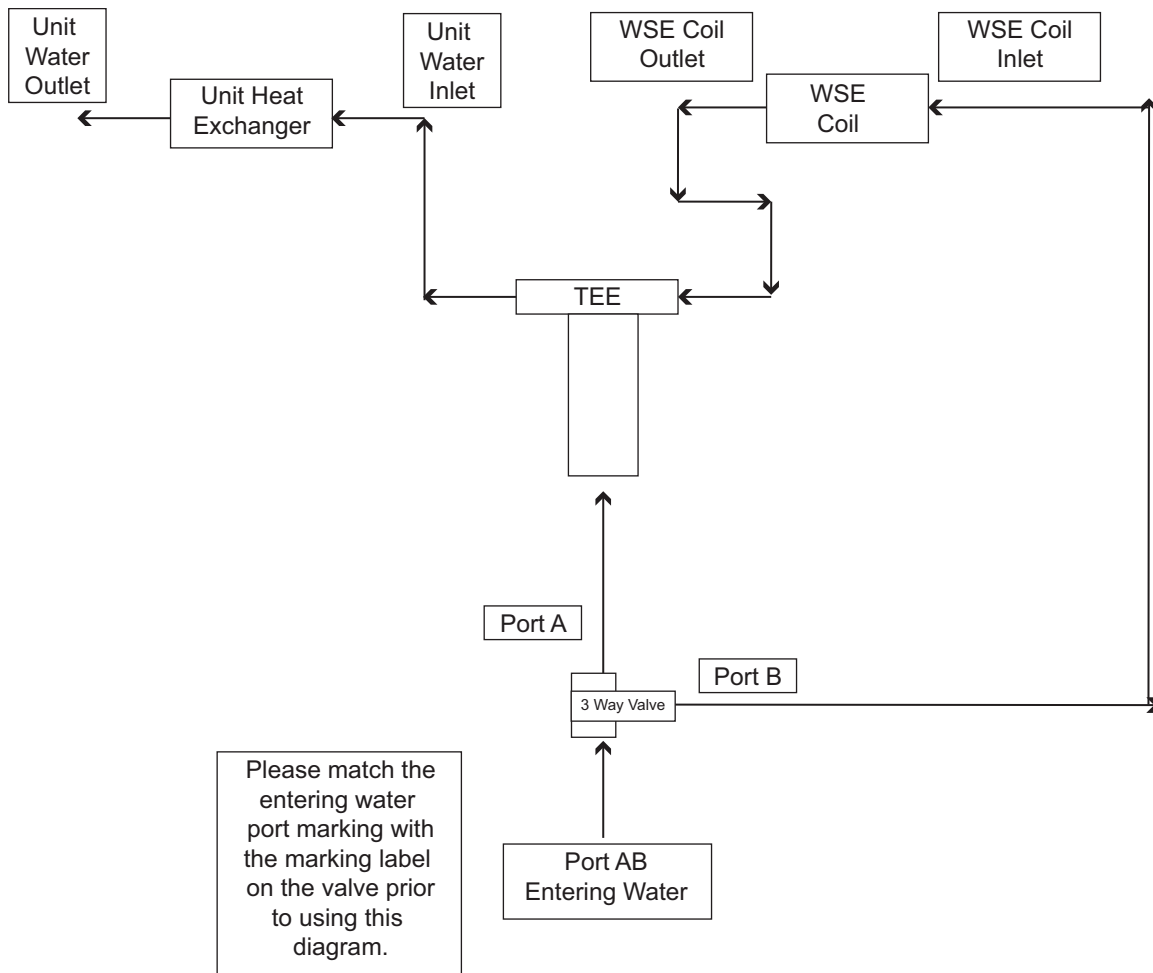


Table 118. Dimensional data waterside economizer (EXVG/DXVG)

Unit	Cabinet	Pipe Size		WSE Size			Piping Location						Drain	
		A NPTI	B NPTI	C Width	D Depth	E Height	F Height	G Height	H Width	J Width	K Width	L Width	M Width	N Height
EXVG009-012	B	1/2	1/2	8.5	27.5	18.25	17.75	20.75	5.0	7.88	3.5	0.63	4.25	15.75
EXVG015	C	3/4	3/4	8.5	29.0	19.25	19.75	22.75	5.0	7.88	3.5	0.63	4.25	16.75
EXVG018-024, DXVG024	D	3/4	3/4	8.5	32.0	21.75	21.75	24.75	5.0	7.88	3.5	0.63	4.25	15.75
EXVG030-036, DXVG036	E	1	1	8.5	38.5	22.75	22.75	25.75	5.0	8	3.5	0.5	4.25	19.75
EXVG042-048, DXVG048	F	1	1	8.5	38.5	22.75	22.75	25.75	5.0	8	3.5	0.5	4.25	19.75
EXVG/ DXVG060-070	G	1	1	8.5	38.5	22.75	22.75	25.75	5.0	8	3.5	0.5	4.25	19.75

Figure 33. Waterside economizer coil piping diagram





Electrical Data

Table 119. Electrical data - 0.75 to 6 tons, EX*009-070

Model No.	Unit Volts	Total Unit FLA	Comp RLA	Comp LRA	Blower Motor FLA	Blower Motor HP	Minimum Circuit Ampacity	Maximum Overcurrent Protective Device
EXV/H009	208-230/60/1	4.2	3.6	27.0	0.6	1/3	6/6	15/15
EXV/H009	265/60/1	3.5	3.0	22.0	0.5	1/3	5	15
EXV/H012	208-230/60/1	6.6	5.7	27.0	0.9	1/3	8/8	15/15
EXV/H012	265/60/1	5.3	4.5	32.0	0.8	1/3	7	15
EXV/H015	208-230/60/1	8.1	7.3	36.0	0.8	1/3	10/10	15/15
EXV/H015	265/60/1	5.5	4.8	30.0	0.7	1/3	7	15
EXV/H018	208-230/60/1	9.8	8.5	38.0	1.3	1/2	12/12	20/20
EXV/H018	265/60/1	7.9	6.8	35.0	1.1	1/2	10	15
EXV/H024	208-230/60/1	15.2	13.5	58.3	1.7	1/2	19/19	30/30
EXV/H024	265/60/1	10.5	9.0	54.0	1.5	1/2	13	20
EXV/H024	208-230/60/3	8.8	7.1	55.4	1.7	1/2	11/11	15/15
EXV/H024	460/60/3	4.4	3.5	28.0	0.9	1/2	6	15
EXV/H030	208-230/60/1	15.6	14.1	73.0	1.5	3/4	20/20	30/30
EXV/H030	265/60/1	12.5	11.2	60.0	1.3	3/4	16	25
EXV/H030	208-230/60/3	10.4	8.9	58.0	1.5	3/4	13/13	20/20
EXV/H030	460/60/3	5.0	4.2	28.0	0.8	3/4	7	15
EXV/H036	208-230/60/1	18.0	16.0	77.0	2.0	3/4	23/23	35/35
EXV/H036	265/60/1	13.9	12.2	72.0	1.7	3/4	17	25
EXV/H036	208-230/60/3	12.0	10.0	71.0	2.0	3/4	15/15	20/20
EXV/H036	460/60/3	5.7	4.7	38.0	1.0	1	7	15
EXV/H042	208-230/60/1	19.9	16.7	79.0	3.2	3/4	25/25	40/40
EXV/H042	208-230/60/3	13.6	10.4	73.0	3.2	3/4	17/17	25/25
EXV/H042	460/60/3	7.4	5.8	38.0	1.6	1	9	15
EXV/H048	208-230/60/1	20.5	17.9	112.0	2.6	1	25/25	40/40
EXV/H048	208-230/60/3	16.1	13.5	88.0	2.6	1	20/20	30/30
EXV/H048	460/60/3	7.3	6.0	44.0	1.3	1	9	15
EXV/H060	208-230/60/1	25.2	21.4	135.0	3.8	1	31/31	50/50
EXV/H060	208-230/60/3	18.3	14.5	98.0	3.8	1	22/22	35/35
EXV/H060	460/60/3	8.2	6.3	55.0	1.9	1	10	15
EXV/H070	208-230/60/1	31.4	26.4	134.0	5.0	1	39/39	60/60
EXV/H070	208-230/60/3	21.0	16.0	110.0	5.0	1	26/26	40/40
EXV/H070	460/60/3	10.3	7.8	52.0	2.5	1	13	20

Table 120. Electrical data - 2 to 6 tons, DX*024-070

Model No.	Unit Volts	Total Unit FLA	Comp RLA	Comp LRA	Blower Motor FLA	Blower Motor HP	Minimum Circuit Ampacity	Maximum Overcurrent Protective Device
DXV/H024	208-230/60/1	13.3	11.7	58.3	1.6	1/2	17/17	25/25
DXV/H024	265/60/1	10.5	9.1	54.0	1.4	1/2	13	20

Table 120. Electrical data - 2 to 6 tons, DX*024-070 (continued)

Model No.	Unit Volts	Total Unit FLA	Comp RLA	Comp LRA	Blower Motor FLA	Blower Motor HP	Minimum Circuit Ampacity	Maximum Overcurrent Protective Device
DXV/H024	208-230/60/3	8.1	6.5	55.4	1.6	1/2	10/10	15/15
DXV/H024	460/60/3	4.3	3.5	28.0	0.8	1/2	6	15
DXV/H036	208-230/60/1	15.1	13.1	73.0	2.0	3/4	19/19	30/30
DXV/H036	265/60/1	11.9	10.2	60.0	1.7	3/4	15	20
DXV/H036	208-230/60/3	10.7	8.7	58.0	2.0	3/4	13/13	20/20
DXV/H036	460/60/3	5.3	4.3	28.0	1.0	1	7	15
DXV/H048	208-230/60/1	20.4	17.9	96.0	2.5	1	25/25	40/40
DXV/H048	208-230/60/3	16.7	14.2	88.0	2.5	1	21/21	30/30
DXV/H048	460/60/3	7.5	6.2	44.0	1.3	1	10	15
DXV/H060	208-230/60/1	25.0	21.2	104.0	3.8	1	31/31	50/50
DXV/H060	208-230/60/3	17.8	14.0	83.1	3.8	1	22/22	35/35
DXV/H060	460/60/3	8.3	6.4	41.0	1.9	1	10	15
DXV/H070	208-230/60/1	31.9	26.9	139.9	5.0	1	39/39	60/60
DXV/H070	208-230/60/3	21.5	16.5	110.0	5.0	1	26/26	40/40
DXV/H070	460/60/3	9.7	7.2	52.0	2.5	1	12	15

Table 121. EXV/H and DXV/H electric duct heater data (0.75 to 6 tons)

MODEL	EH Size	Volts	kW	Amps
EXV/H009	Medium	208-230/60/1	2.0/2.5	9.8/10.9
EXV/H009	Medium	265/60/1	2.3	8.6
EXV/H012	Medium	208-230/60/1	2.0/2.5	9.8/10.9
EXV/H012	Medium	265/60/1	2.3	8.6
EXV/H015	Medium	208-230/60/1	2.0/2.5	9.8/10.9
EXV/H015	Medium	265/60/1	2.3	8.6
EXV/H018	Medium	208-230/60/1	3.3/4.0	15.7/17.4
EXV/H018	Medium	265/60/1	3.7	13.8
EXV/H024	Medium	208-230/60/1	3.3/4.0	15.7/17.4
EXV/H024	Medium	265/60/1	3.7	13.8
EXV/H024	Medium	208-230/60/3	3.3/4.0	9.1/10.1
EXV/H024	Medium	460/60/3	3.7	4.6
EXV/H030	Medium	208-230/60/1	4.1/5.0	19.7/21.7
EXV/H030	Medium	265/60/1	4.6	17.3
EXV/H030	Medium	208-230/60/3	4.1/5.0	11.4/12.6
EXV/H030	Medium	460/60/3	4.6	5.8
EXV/H036	Low	208-230/60/1	4.9/6.0	23.6/26.1
EXV/H036	Medium	208-230/60/1	8.2/10.0	39.3/43.5
EXV/H036	High	208-230/60/1	12.3/15.0	59.0/65.2
EXV/H036	Low	265/60/1	5.5	20.7
EXV/H036	Medium	265/60/1	9.2	34.5
EXV/H036	High	265/60/1	13.7	51.8



Electrical Data

Table 121. EXV/H and DXV/H electric duct heater data (0.75 to 6 tons) (continued)

MODEL	EH Size	Volts	kW	Amps
EXV/H036	Low	208-230/60/3	4.9/6.0	13.6/15.1
EXV/H036	Medium	208-230/60/3	8.2/10.0	22.7/25.1
EXV/H036	High	208-230/60/3	12.3/15.0	34.1/37.7
EXV/H036	Low	460/60/3	5.5	6.9
EXV/H036	Medium	460/60/3	9.2	11.5
EXV/H036	High	460/60/3	13.8	17.3
EXV/H042	Low	208-230/60/1	4.9/6.0	23.6/26.1
EXV/H042	Medium	208-230/60/1	8.2/10.0	39.3/43.5
EXV/H042	High	208-230/60/1	12.3/15.0	59.0/65.2
EXV/H042	Low	208-230/60/3	4.9/6.0	13.6/15.1
EXV/H042	Medium	208-230/60/3	8.2/10.0	22.7/25.1
EXV/H042	High	208-230/60/3	12.3/15.0	34.1/37.7
EXV/H042	Low	460/60/3	5.5	6.9
EXV/H042	Medium	460/60/3	9.2	11.5
EXV/H042	High	460/60/3	13.8	17.3
EXV/H048	Low	208-230/60/1	4.9/6.0	23.6/26.1
EXV/H048	Medium	208-230/60/1	8.2/10.0	39.3/43.5
EXV/H048	High	208-230/60/1	12.3/15.0	59.0/65.2
EXV/H048	Low	208-230/60/3	4.9/6.0	13.6/15.1
EXV/H048	Medium	208-230/60/3	8.2/10.0	22.7/25.1
EXV/H048	High	208-230/60/3	12.3/15.0	34.1/37.7
EXV/H048	Low	460/60/3	5.5	6.9
EXV/H048	Medium	460/60/3	9.2	11.5
EXV/H048	High	460/60/3	13.8	17.3
EXV/H060	Low	208-230/60/1	4.9/6.0	23.6/26.1
EXV/H060	Medium	208-230/60/1	8.2/10.0	39.3/43.5
EXV/H060	High	208-230/60/1	12.3/15.0	59.0/65.2
EXV/H060	Low	208-230/60/3	4.9/6.0	13.6/15.1
EXV/H060	Medium	208-230/60/3	8.2/10.0	22.7/25.1
EXV/H060	High	208-230/60/3	12.3/15.0	34.1/37.7
EXV/H060	Low	460/60/3	5.5	6.9
EXV/H060	Medium	460/60/3	9.2	11.5
EXV/H060	High	460/60/3	13.8	17.3
EXV/H070	Low	208-230/60/1	4.9/6.0	23.6/26.1
EXV/H070	Medium	208-230/60/1	8.2/10.0	39.3/43.5
EXV/H070	High	208-230/60/1	12.3/15.0	59.0/65.2
EXV/H070	Low	208-230/60/3	4.9/6.0	13.6/15.1
EXV/H070	Medium	208-230/60/3	8.2/10.0	22.7/25.1
EXV/H070	High	208-230/60/3	12.3/15.0	34.1/37.7
EXV/H070	Low	460/60/3	5.5	6.9
EXV/H070	Medium	460/60/3	9.2	11.5

Table 121. EXV/H and DXV/H electric duct heater data (0.75 to 6 tons) (continued)

MODEL	EH Size	Volts	kW	Amps
EXV/H070	High	460/60/3	13.8	17.3
DXV/H024	Medium	208-230/60/1	3.3/4.0	15.7/17.4
DXV/H024	Medium	265/60/1	3.7	13.8
DXV/H024	Medium	208-230/60/3	3.3/4.0	9.1/10.1
DXV/H024	Medium	460/60/3	3.7	4.6
DXV/H036	Low	208-230/60/1	4.9/6.0	23.6/26.1
DXV/H036	Medium	208-230/60/1	8.2/10.0	39.3/43.5
DXV/H036	High	208-230/60/1	12.3/15.0	59.0/65.2
DXV/H036	Low	265/60/1	5.5	20.7
DXV/H036	Medium	265/60/1	9.2	34.5
DXV/H036	High	265/60/1	13.7	51.8
DXV/H036	Low	208-230/60/3	4.9/6.0	13.6/15.1
DXV/H036	Medium	208-230/60/3	8.2/10.0	22.7/25.1
DXV/H036	High	208-230/60/3	12.3/15.0	34.1/37.7
DXV/H036	Low	460/60/3	5.5	6.9
DXV/H036	Medium	460/60/3	9.2	11.5
DXV/H036	High	460/60/3	13.8	17.3
DXV/H048	Low	208-230/60/1	4.9/6.0	23.6/26.1
DXV/H048	Medium	208-230/60/1	8.2/10.0	39.3/43.5
DXV/H048	High	208-230/60/1	12.3/15.0	59.0/65.2
DXV/H048	Low	208-230/60/3	4.9/6.0	13.6/15.1
DXV/H048	Medium	208-230/60/3	8.2/10.0	22.7/25.1
DXV/H048	High	208-230/60/3	12.3/15.0	34.1/37.7
DXV/H048	Low	460/60/3	5.5	6.9
DXV/H048	Medium	460/60/3	9.2	11.5
DXV/H048	High	460/60/3	13.8	17.3
DXV/H060	Low	208-230/60/1	4.9/6.0	23.6/26.1
DXV/H060	Medium	208-230/60/1	8.2/10.0	39.3/43.5
DXV/H060	High	208-230/60/1	12.3/15.0	59.0/65.2
DXV/H060	Low	208-230/60/3	4.9/6.0	13.6/15.1
DXV/H060	Medium	208-230/60/3	8.2/10.0	22.7/25.1
DXV/H060	High	208-230/60/3	12.3/15.0	34.1/37.7
DXV/H060	Low	460/60/3	5.5	6.9
DXV/H060	Medium	460/60/3	9.2	11.5
DXV/H060	High	460/60/3	13.8	17.3
DXV/H070	Low	208-230/60/1	4.9/6.0	23.6/26.1
DXV/H070	Medium	208-230/60/1	8.2/10.0	39.3/43.5
DXV/H070	High	208-230/60/1	12.3/15.0	59.0/65.2
DXV/H070	Low	208-230/60/3	4.9/6.0	13.6/15.1
DXV/H070	Medium	208-230/60/3	8.2/10.0	22.7/25.1
DXV/H070	High	208-230/60/3	12.3/15.0	34.1/37.7



Electrical Data

Table 121. EXV/H and DXV/H electric duct heater data (0.75 to 6 tons) (continued)

MODEL	EH Size	Volts	kW	Amps
DXV/H070	Low	460/60/3	5.5	6.9
DXV/H070	Medium	460/60/3	9.2	11.5
DXV/H070	High	460/60/3	13.8	17.3

Note: Electric heat performance table with heat rise data can be found in Installation Instructions (WSHP-SVN011-EN).*

Table 122. Electrical data - minimum and maximum

Digit 8	Rated Voltage	Hz	Ph	Minimum Utilization Voltage	Maximum Utilization Voltage
4	460	60	3	414	506
7	265	60	1	239	292
A	208-230	60	1	197	253
B	208-230	60	3	187	253



Mechanical Specifications

General

Equipment shall be completely assembled, piped, internally wired, fully charged with R-410A and test operated at the factory. Filters, thermostat field interface Terminal Plug (TP1), and all safety controls are furnished and factory installed. The system water inlet and outlet connections shall be an inside-thread NPT composed of either copper or a bronze option. The equipment shall contain ETL-US-C, and AHRI-ISO 13256-1 listings and labels prior to leaving the factory.

Units meet the efficiency standards of the ASHRAE 90.1- standard.

Service and caution area labels shall also be placed on the unit in their appropriate locations.

All units come standard with a 5-year compressor warranty.

Air-to-Refrigerant Coil

Internally finned, 3/8-inch copper tubes mechanically bonded to a configured aluminum plate fin as standard. Coils are leak tested at the factory to ensure the pressure integrity. The coil shall be leak tested to 450 psig and as working pressure up to 650 psig. The tubes are to be completely evacuated of air and correctly charged with proper volume of refrigerant prior to shipment.

The refrigerant coil distributor assembly shall be of orifice style with round copper distributor tubes. The tubes are sized consistently with the capacity of the coil. Suction header is fabricated from rounded copper pipe.

A thermostatic expansion valve is factory selected and installed for a wide range of control.

DDC Controller (Option)

The Symbio™ 400-B/UC400-B controller shall utilize factory furnished and mounted DDC controls. The DDC control package shall include a 75 VA transformer, high and low pressure switches, condensate overflow and freeze protection. The controller shall provide random start delay, heating/cooling status, occupied/unoccupied mode, fan status and filter maintenance options.

On the EXHV/DXHV product line, the discharge air sensor and leaving water sensor are standard for Symbio 400-B/UC400-B controls.

The controller shall be capable of a standalone application, or as applied to a full building automation installation.

With this controller, the unit shall be capable of a hot gas reheat (for dehumidification), boilerless control for electric heat, waterside economizing, and support of variable speed pump control applications.

Deluxe Controls

The deluxe control package has a 50 VA transformer (fused) or 75 VA transformer with circuit breaker, low and high pressure switches, condensate overflow and freeze protection. The controller shall include a lockout function, anti-short cycle compressor protection, random start delay, brown-out protection, low pressure time delay, compressor delay on start and an open relay. Hot gas reheat (option for EX models only) or electric heat shall also be provided (option). Three LEDs (light emitting diodes) are included for diagnostics of the equipment.

Cabinet

Unit casing shall be constructed of zinc coated, heavy gauge, galvanized steel.

Service to the refrigerant and controls shall be provided through a single access panel at the front of the equipment. Access to the refrigerant and controls for the larger units shall be provided through the front and side access panels.

Panels shall be insulated with either 1/2-inch thick dual density bonded glass fiber or 1/2-inch thick foil-faced glass fiber. Foil faced insulation edges are encapsulated to prevent glass fibers from entering the airstream. The glass fiber insulations have a flame spread of 25 or less and a smoke developed



Mechanical Specifications

classification of 50 or less per ASTM E-84 and UL 723. The dual density insulation has a minimum rated service air velocity of 3600 feet per minute (FPM) and meets the erosion requirements of UL 181.

Access for inspection and cleaning of the unit drain pan, coils and fan section shall be provided. The unit shall be installed for proper access.

Six rubber grommets are enclosed with every horizontal unit. These grommets are to be used in conjunction with unit hanging rods to isolate vibration.

Procedures for proper access inspection and cleaning of the unit shall be included in the maintenance manual.

Compressor

The unit will contain a high efficiency rotary (EX models only) or scroll compressor. External vibration isolation shall be provided by rubber mounting devices located underneath the mounting base of the compressor. A second isolation of the refrigeration assembly shall be supported under the compressor mounting base.

Internal thermal overload protection shall be provided. Protection against excessive discharge pressure is provided by means of a high pressure switch. Protection against a loss of charge is provided by a low pressure safety.

Unit Drain Pan

Polymer Drain Pan

The condensate pan shall be constructed of corrosion resistant material and insulated to prevent sweating. The bottom of the drain pan shall be sloped on two planes which pitches the condensate to the drain connection. The drain pan shall be flame rated per UL94-5V-B. A UL508 float switch shall be installed on all units to protect against the overflow of condensate from the drain pan.

Stainless Steel Drain Pan

The stainless steel drain pan and the drain stubout shall be constructed of heavy gauge type 304 stainless steel. The bottom of the drain pan shall be sloped on two planes which pitches the condensate to the drain connection. The stainless steel material shall meet the requirements of ASTM A480/A480M and comply with the chemical composition requirements of ASTM A240. The drain pan shall be insulated to prevent moisture accumulation on the drain pan material. The drain pan insulation material shall be suitable to be used in the airflow and consists of closed cell elastomeric insulation, complying with flammability requirements of UL94-5V.

Economizing Coil

The waterside economizing package shall be an external unit accessory pre-piped and pre-wired ready for turn-key installation to the unit. The economizing coil shall be designed to perform with the WSHP at unit measured flow rate of 80°F DB/67°F WB with 45°F EWT. The working water pressure of the waterside economizer coil is 400 psi.

All hydronic coils are of 3/8 in. copper and aluminum plate fin combination. All coils shall be proof and leak tested. The proof test shall be performed at 1.5 times the maximum operating pressure and the leak test at the maximum operating pressure.

A dual sloped noncorrosive drain pan is easily accessible and cleanable for the hydronic economizing coil.

An electronic two-position, 3-way valve shall provide water flow to the economizing coil during the economizing mode. It is factory set to energize the economizing mode at 55°F, while simultaneously halting mechanical operation of the compressor.

Hanging brackets with rubber isolation shall be provided for the horizontal version of the economizing coil option. The bracket design shall be the same throughout the equipment.

Electrical

The unit control box shall contain all necessary devices to allow heating and cooling operation to occur from a remote wall thermostat. These devices are as follows:

- 24 Vac energy limiting class II [50 VA (minimum) transformer].
- 24 Vac compressor contactor for compressor control
- Field thermostat connections shall be provided for ease of hook-up to terminal locations located in the unit's control box.
- Lockout function controls excessive cycling of the compressor shall be provided to protect the compressor during adverse operating conditions. The device may be reset by interrupting power to the 24 Vac control circuit. Reset may be done either at a remote thermostat or through a momentary main power interruption for units with thermostat controls. For units with DDC controls, the reset can be reset at the zone sensor (with an off switch) or a service tool.
- A high pressure switch shall protect the compressor against operation at refrigerant system pressures exceeding 650 psig.
- Factory installed wire harness shall be available for the Deluxe and Symbio™ 400-B/UC400-B control packages.

Nameplate information shall provide MOP ratings for branch circuit protection from the primary source of power. All units have a SCCR of 5KA at 600V as labeled on the unit nameplate.

Electric Heat (Option)

For all units, external boilerless electric heat is composed of a control interface for a field or factory provided electric heat. The heater is placed external to the unit by the installer. Power connection to the electric heat is separate from the unit. It shall be composed of a nichrome open wire coil. The design consists of a single stage of electric heat used as a primary heating source when compressor lockout has occurred due to the entering water temperature falling below 55°F with an adjustable range between 25°F to 60°F. The electric heat option is not intended for secondary heat. All power connections to the electric heat shall be made in the control box of the electric heater.

Boilerless Electric Heat Ready (Option)

External boilerless electric heat ready control option is composed of a control interface for a field provided electric heater. The heater is placed external to the unit by the installer. Power connection to the electric heat is separate from the unit.

Filters

One-inch or two-inch, throwaway filters are standard and factory installed. Two and four inch MERV 8 or 13 filters are also available as an option. The filters have an average arrestance of 75% and dust holding capacity of 26-grams per square foot.

Hot Gas Reheat (Option for EX Units Only)

Dehumidification is provided through a hot gas reheat option. Hot gas reheat is enabled when the space humidity level is above a user-selectable setpoint. When hot gas reheat is enabled, the fan speed is reduced to enhance the dehumidification effect. The coil consists of 3/8" copper tubes mechanically expanded into evenly spaced aluminum fins. All coils are leak tested to 450 PSIG and pressure tested to 650 PSIG at the factory..

Motorized Water Valve (Accessory)

A two-position motorized water valve may be applied to each water source heat pump as part of the hose kit accessory. The motorized valve shall stop flow to the unit, causing pressures to rise. This rise in pressure can be utilized to reduce pump usage and provide greater energy savings of the entire system.



Indoor Fan

0.75 to 6 Tons

The blower is a forward-curved style wheel with multiple speed combinations available. All direct drive motors have sealed bearings that do not require field lubrication. An internally protected electronically commutated motor is provided. The motor contains a quick disconnect plug. They are constructed of corrosion resistant galvanized material. Removal of the motor and fan wheel can be made with the assistance of a factory provided orifice ring device. This device attaches the wheel and motor to the fan housing in a single assembly eliminating the need for access to the set screw on the backside of the fan hub.

Single Point Power Connection

Single point power connection allows a convenient location to bring in the power supply to the unit. The one single power source powers the entire unit including the controls, compressor, blower motor, and all installed options.

Electric Heat Power Connection (Separate from Unit)

A separate power source is required to power all the electric heater options in the 0.75 to 6 ton units while the heat pump has its own separate power connection.

Unit Mounted Disconnect (Option)

Disconnect Switch is unit-mounted and easily accessed from the front of the unit. The disconnect switch can be locked in the off position with one padlock. The disconnect switch is UL508 listed.

Orifice Ring

Removal of the motor and fan wheel shall be made with the assistance of a factory provided orifice ring device. This device shall attach the wheel and motor to the fan housing in one assembly providing single side service access.

Pump Module (Field Installed Accessory)

The pump module shall consist of either a single or dual 1/6 HP cast iron pump and a brass 3-way shut-off valve. The pump module kits shall contain the necessary components for the installation, operation and maintenance of the water circuit of a closed-loop distributed pumping application.

Refrigerant Circuits

The refrigerant circuit shall contain a thermal expansion device. Service pressure ports shall be factory supplied on the high and low pressure sides for easy refrigerant pressure or temperature testing. Filter driers are standard.

Refrigerant Tubing

The refrigerant tubing shall be of 99% pure copper. This system shall be free from contaminants and conditions such as drilling fragments, dirt and oil. All water lines that are located in the indoor air stream shall be insulated with 3/8 inch thick elastomeric insulation. The refrigerant lines that are located in the indoor air stream that are not directly over the drain pan area shall be insulated with 3/8 inch thick elastomeric insulation.

Reversing Valve

The reversing valve is a pilot operating sliding piston type with replaceable encapsulated magnetic coil. This valve is energized in cooling.

Sound Attenuation

Sound attenuation shall be applied as a standard feature in the product design. For 0.75 to 6 ton units, the sound reduction package shall include vibration isolation to the compressor and water-to-refrigerant coil, unit base stiffeners, and a second stage of vibration isolation to the compressor and water-to-refrigerant base pan. The unit is tested and rated in accordance with AHRI 260.

Water-to-Refrigerant Heat Exchanger

The water-to-refrigerant heat exchanger shall be of a high quality co-axial coil for maximum heat transfer. The copper or optional cupro-nickel coil shall be deeply fluted to enhance heat transfer and minimize fouling and scaling. The coil has a working pressure of 400 psig on the water side and 650 psig on the refrigerant side. The factory shall provide rubber isolation to the heat exchanging device to enhance sound attenuation.

Water-to-Refrigerant Heat Exchanger and Suction Lines - Insulated Option

The water-to-refrigerant heat exchanger(s), water lines, and refrigerant suction lines shall be insulated to prevent condensation at low temperatures below 60° F. This can be added to the existing water-to-refrigerant heat exchanger spec when the insulated option is selected. This would be both for the copper or optional cupro-nickel coil.

Factory Mounted Isolation Valve (Option)

The two-position valve is factory installed and wired and will open on a call for heating or cooling and close when there is no call for heating or cooling. The isolation valve has a working pressure of 360 PSIG for the 1/2-inch and 3/4-inch valves. The 1-inch valve has a working pressure of 600 PSIG.

Supply and Return Hoses

One-half inch to 1 1/4 inch hose assemblies are fire retardant coated stainless steel outer braid and a thermoplastic rubber tube with a UL94-VO rating. 1 1/2 inch - 2 1/2 inch hose assemblies are a thermoplastic rubber tube. Each assembly has a rigid outside-thread NPT on one end and a JIC swivel coupling with a JIC to outside-thread NPT adapter on the other end. Working pressure is 300 PSI for 1/2 inch - 1 1/4 inch, 200 PSI for 1 1/2 inch, and 150 PSI for 2 inch - 2 1/2 inch with a minimum burst pressure four times the working pressure. Temperature range for the hose is -40° F[C] to +190° F. All outside-thread pipe threads are shipped with thread sealant already applied, capped, and ready for installation.

Ball Valves

Each ball valve kit consists of two equally sized ball valves. During system balancing, ball valves may be opened or closed to allow more or less water to enter the heat pump. Valves can be used as shut-off for servicing.

Return Air Duct Panel (Accessory)

Return Air Duct Panel is a top and bottom flange to allow connection of return air duct and is field installed. The return air flange does not allow for a fully sealed application. It is adjustable for one-inch or two-inch filters.

Two-inch or Four-inch Ducted Filter Rack (Accessory)

The ducted filter rack is field mounted for the use of 2- or 4-inch filters and provides easy access to the filters from the side of the filter rack through a door that does not require a tool. Duct collars are built into the filter rack to provide an easy means to connect the duct work to the unit.



Notes



The AHRI Certified mark indicates Trane U.S. Inc. participation in the AHRI Certification program. For verification of individual certified products, go to ahridirectory.org.

Trane - by Trane Technologies (NYSE: TT), a global innovator - creates comfortable, energy efficient indoor environments for commercial and residential applications. For more information, please visit trane.com or tranetechnologies.com.

Trane has a policy of continuous product and product data improvements and reserves the right to change design and specifications without notice. We are committed to using environmentally conscious print practices.