

Quick Reference Guide
Foundation™
 3 to 5 Tons Packaged
 Rooftop Units
 Cooling and Gas/Electric



Model Number: EDK, GDK
Used With: Packaged Cooling, Electric Heat (Optional), Packaged Cooling, Gas Heat

August 2024 **RT-PRC114B-EN**
 ©2024

1 Copyright

This document and the information in it are the property of Trane, and may not be used or reproduced in whole or in part without written permission. Trane reserves the right to revise this publication at any time, and to make changes to its content without obligation to notify any person of such revision or change.

Trademarks
 All trademarks referenced in this document are the trademarks of their respective owners.

List of Options
Note: Most factory installed options are available for downflow air discharge units only. Verify with ordering system for availability.

Table 1. List of options

Factory Installed Options	Field Installed Options
Barometric Relief ^(a) (Downflow Low Leak Economizer Only)	Barometric Relief (Standard and Low Leak Economizer, Downflow and Horizontal Configuration)
Complete Coat™ Microchannel Condenser Coil	Crankcase Heater
Condensate Overflow Switch	Demand Control Ventilation with CO ₂ Sensor
Economizer (Downflow) ^(a)	Economizer (Horizontal)
Electric Heaters	Frostat™
Low Leak Economizer - Downflow	Low Ambient Kit
Manual Outside Air Dampers	Low Leak Economizer - Horizontal
Motorized Outside Air Dampers	LP Conversion Kit
MERV-13 Filters	Powered Exhaust
Oversized Motor	Remote Potentiometer
Reference or Comparative Enthalpy Economizer	Roof Curb
Stainless Steel Heat Exchanger with 10 Year Warranty	Thermostat

2 Table 1. List of options (continued)

Factory Installed Options	Field Installed Options
Through-the-Base Electrical Access	Tool-less Hail Guard
Through-the-Base Gas Piping	
Unit Mounted Non-Fused Disconnect Switch ^(b)	

(a) Some field set up required.
 (b) Must be ordered with Through-the-Base Electrical option.

Table 2. 3 to 5 tons packaged rooftop performance data (gas or electric heat)

Nominal Size (Ton)	3	4	5
Cooling Performance^(a)			
Gross Cooling Capacity	38,000	51,300	59,500
AHRI Net Cooling Capacity	36,600	49,500	57,500
Nominal Airflow CFM/AHRI Rated CFM	1200/1050	1600/1400	2000/1600
EER ^(b) /EER2 ^(c)	12.0/10.6	12.0/10.6	12.0/10.6
SEER ^(b) /SEER2 ^(c)	14.0/13.4	14.0/13.4	14.0/13.4
Gas Heating Performance			
Low Heat (Input/Output) - (Btu/h)	72,000/57,600	72,000/57,600	72,000/57,600
Medium Heat (Input/Output) - (Btu/h)	100,000/80,000	115,000/ 92,000	115,000/ 92,000
Other Information			
Net Weight (lbs) - Gas Heat	524	566	586
Net Weight (lbs) - Electric Heat	473	516	536
Filters - Type Furnished	Throwaway	Throwaway	Throwaway
Number and Size Recommended	(4) 16×16×2	(4) 16×16×2	(4) 16×16×2

(a) Cooling Performance is rated at 95°F ambient, 80°F entering dry bulb, 67°F entering wet bulb.
 (b) EER and SEER are rated at AHRI conditions and calculated in accordance with AHRI Standard 210/240-2017. Airflow and net cooling capacity not shown.
 (c) EER2 and SEER2 are rated at AHRI conditions and certified in accordance with AHRI Standard 210/240-2023.

3 Table 3. Unit MCA and MOP electrical data (standard indoor fan motor - cooling or gas heat)

Tons	Unit Operating Voltage Range	Standard Indoor Fan Motor	
		Minimum Circuit Ampacity ^(a)	Maximum Fuse Size or Maximum Circuit Breaker
3	208-230	23	30
	460	11	15
	575	9	15
4	208-230	23	35
	460	11	15
	575	10	15
5	208-230	28	40
	460	13	15
	575	11	15

(a) Values do not include Power Exhaust accessory.

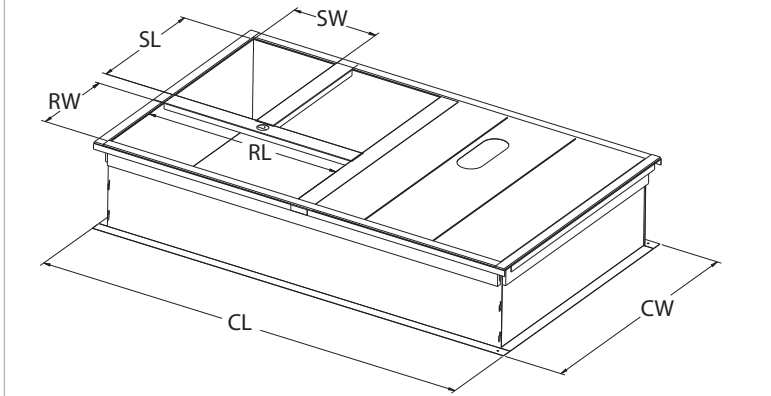
Table 4. Unit indoor fan data

E/GDK	Volts	Standard (HP - RPM)	Oversized (HP - RPM)
036	208-230	1 - 1725	2 - 1725
	460		
	575		
048	208-230	1 - 1725	2 - 1725
	460		
	575		
060	208-230	1 - 1725	2 - 1725
	460		
	575		

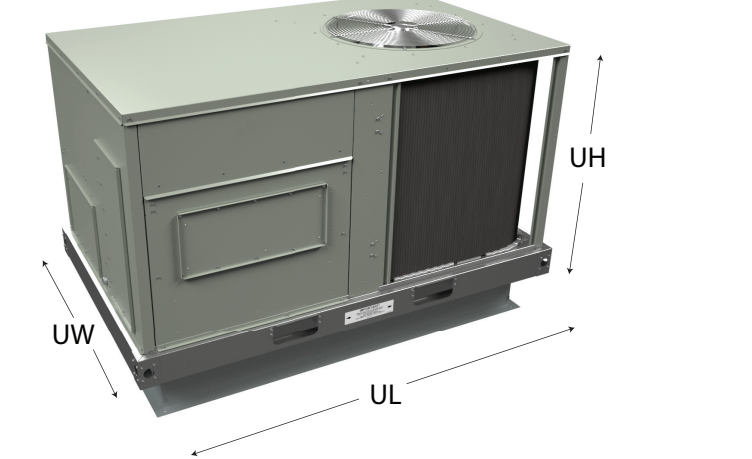
4 Table 5. Unit dimensional data

	3 to 5 Tons
Unit Length UL	76.814 in.
Unit Width UW	47.934 in.
Unit Height UH	42.004 in.
Curb Length CL	70.871 in.
Curb Width CW	41.983 in.
Supply Length SL ^(a)	21.060 in.
Supply Width SW ^(a)	14.000 in.
Return Length RL ^(a)	32.188 in.
Return Width RW ^(a)	14.430 in.

(a) Dimensions are for curb openings and not duct inserts. Reference the product catalog for duct insert dimensions.



5



Trane and American Standard create comfortable, energy efficient indoor environments for commercial and residential applications. For more information, please visit trane.com or americanstandardair.com.

Trane and American Standard have a policy of continuous product and product data improvement and reserve the right to change design and specifications without notice. We are committed to using environmentally conscious print practices.

RT-PRC114B-EN 23 Aug 2024
 Supersedes RT-PRC114A-EN (Jul 2024)