



Product Catalog

R-410A Scroll Compressor

Model CSHD

6.2 to 15.3 Tons



Introduction

In Trane CSHD 3D™ scroll, compression is performed by the scroll set in the upper part of the compressor. Suction gas enters the compressor at the suction inlet and the gas flow is directed into the motor cap and down around the motor stator and rotor cooling the motor. The gas exits the motor is drawn up between the shell and the motor. Due to the large area the oil drops out of the gas and returns to the oil sump. The suction gas enters the scroll set where it is compressed. Ultimately, the discharge gas leaves the compressor at the discharge connection.

The figure below illustrates the entire compression process.

Figure 1. CSHD

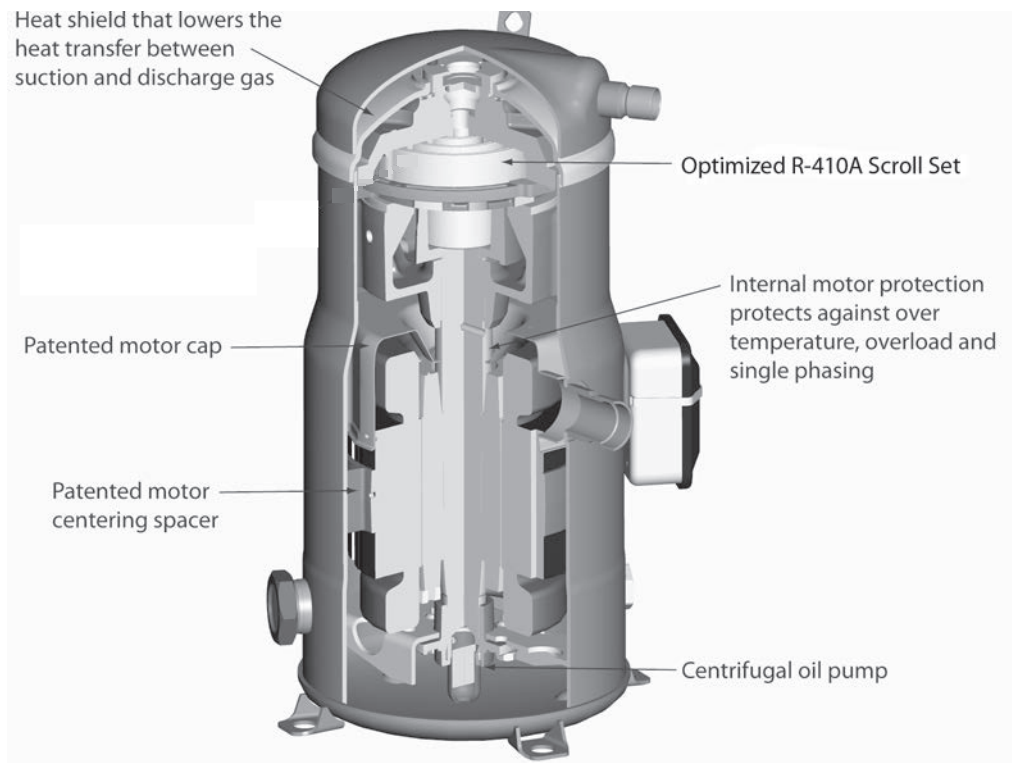


Figure 2. How the Scroll Compressor Works

General

A 3-D compressor has two scrolls. The top scroll is fixed and the bottom scroll orbits. Each scroll has walls in a spiral shape that intermesh.

Inlet – First Orbit

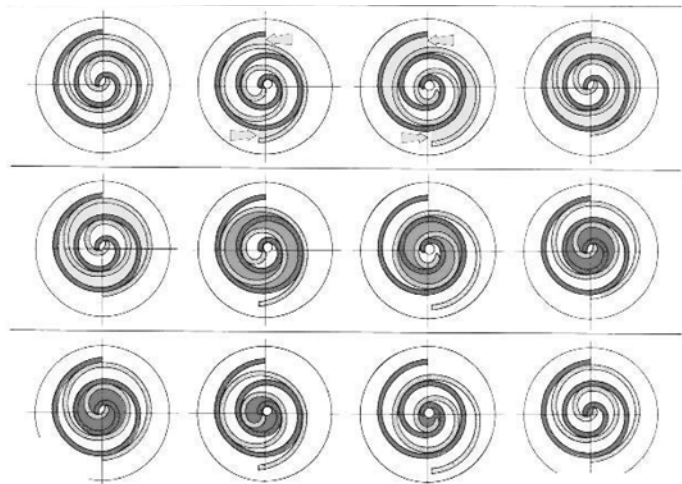
As the bottom scroll orbits, two refrigerant gas pockets are formed and enclosed.

Compression – Second Orbit

The refrigerant gas is compressed as the volume is reduced closer to the center of the scroll.

Discharge – Third Orbit

The gas is compressed further and discharged through a small port in the center of the fixed scroll.



Copyright

This document and the information in it are the property of Trane, and may not be used or reproduced in whole or in part without written permission. Trane reserves the right to revise this publication at any time, and to make changes to its content without obligation to notify any person of such revision or change.

Trademarks

All trademarks referenced in this document are the trademarks of their respective owners.

Revision History

COM-PRC001B-EN (06 Jan 2016)

Reformatted content and added the following compressor sizes:

- CSHD075
- CSHD103
- CSHD120
- CSHD136
- CSHD155
- CSHD175
- CSHD183



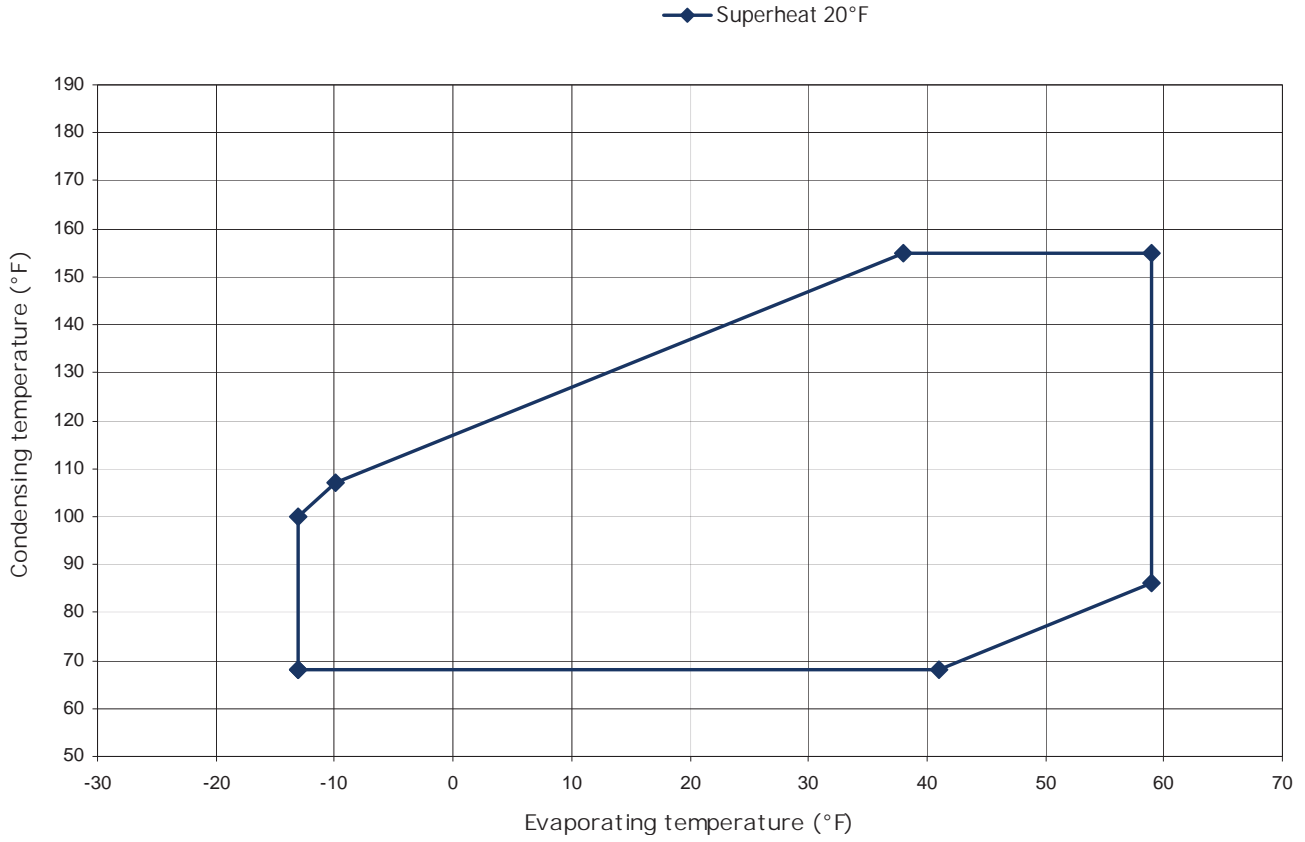
Table of Contents

Application Consideration	5
Model Number Description	6
General Data	7
Performance Data	9
Rated Performance at AHRI Standard	9
Electrical	90
General Electrical	90
Electrical Data	90
Dimensions	92
Weights	95



Application Consideration

Figure 3. CSHD Scroll - R-410A operating envelope





Model Number Description

C	S	H	D	1	2	5	K	0	A	0	M
1	2	3	4	5	6	7	8	9	10	11	12

Digits 1-4 – Model

CSHD

Digits 5-7 – Capacity @ 60 Hz

AHRI Btu/Hr

(Standard Volume Ratio)

075 =	73,265
089 =	88,284
092 =	93,362
103 =	104,796
105 =	104,733
110 =	111,282
120 =	121,419
125 =	125,211
136 =	136,671
142 =	142,365
155 =	157,261
161 =	164,022
175 =	176,104
183 =	183,441

Digit 8 – Voltage

J =	200/230-60-3
K =	460-60-3 or 380/415-50-3
D =	575-60-3 or 500-50-3
X =	380-60-3

Digit 9 – Unloading

0 = No unloading

Digit 10 – Design Sequence

A =	Original design
B =	Polymer journal bearings (CSHD155/161 Oldham coupling)
C =	CSHD 161 Polymer journal bearings

Digit 11 – Protection Module

0 = Internal line break (CSHD)

Digit 12 – Basic Compressor

Variation

M =	Standard volume ratio, suction and discharge brazed tube
R =	Low Vi models, suction and discharge brazed tube



General Data

Notes:

- See [Figure 3, p. 5](#) and ["Performance Data," p. 9](#) for operating range.
- See ["Model Number Description," p. 6](#) for complete model number description.
- See ["Dimensions," p. 92](#) for compressor measurements.
- See ["Weights," p. 95](#) for compressor weights.

Table 1. General data – CSHD075 to CSHD120

		CSHD075	CSHD089	CSHD092	CSHD103	CSHD105	CSHD110	CSHD120
		6.2 ton	7.3 ton	8 ton	8.6 ton	8.7 ton	9.3 ton	10.0 tons
Compressor Data								
Nominal Speed - 60 Hz	rpm	3500	3500	3500	3500	3500	3500	3500
Nominal Speed - 50 Hz	rpm	2900	2900	2900	2900	2900	2900	2900
Displacement at nominal speed - 60 Hz	ft ³ /hr	524	619	652	710	723	766	836
Displacement at nominal speed - 50 Hz	ft ³ /hr	434	513	540	588	599	634	692
Swept Volume	in ³ /rev	4.31	5.09	5.37	5.84	5.95	6.30	6.88
Internal Pressure Relief Valve	psig	None	None	None	None	None	None	None
Starts/Hour - maximum		12	12	12	12	12	12	12
Maximum High Pressure Switch Cutout Setting	psig	650	650	650	650	650	650	650
Minimum Low Pressure Switch Setting	psig	22	22	22	22	22	22	22
Minimum Pumpdown Low Pressure Switch Setting	psig	33	33	33	33	33	33	33
Recommended Pumpdown Low Pressure Setting (value below normal operating suction pressure)	psig	23	23	23	23	23	23	23
Maximum System Test Pressure - (high/low)	psig	660/483	660/483	660/483	660/483	660/483	660/483	660/483
Maximum Test Pressure Differential	psig	535	535	535	535	535	535	535
Mechanical Data								
Refrigerant Type		R-410A	R-410A	R-410A	R-410A	R-410A	R-410A	R-410A
Refrigerant Charge (limit)	lbs	13	13	13	17	17	17	17
Oil Type		Trane OIL00079 (qt)/OIL00080 (gal)						
Oil Charge	oz	101	101	101	88	112	112	112
Suction Fitting Connection		Brazed	Brazed	Brazed	Brazed	Brazed	Brazed	Brazed
Suction Fitting (ODF)	in	1.125	1.125	1.125	1.375	1.375	1.375	1.375
Discharge Fitting Connection		Brazed	Brazed	Brazed	Brazed	Brazed	Brazed	Brazed
Discharge Fitting (ODF)	in	.875	.875	.875	.875	.875	.875	.875
Oil Equalizer Connection		Rotalock	Rotalock	Rotalock	Rotalock	Rotalock	Rotalock	Rotalock
Oil Equalizer Fitting	in	1.75	1.75	1.75	1.75	1.75	1.75	1.75
Oil Sight Glass		Threaded	Threaded	Threaded	Threaded	Threaded	Threaded	Threaded
Oil Charging Valve		Yes	Yes	Yes	Yes	Yes	Yes	Yes
Oil Drain Valve		None	None	None	None	None	None	None
Low Pressure Gauge Port - Schrader	in	0.25	0.25	0.25	0.25	0.25	0.25	0.25
Maximum Compressor Tilt		10°	10°	10°	10°	10°	10°	10°

Notes:

1. Suction and brazing connections are copper plated steel.
2. Recommended brazing material BcuP-3 or BA9-28.



General Data

Table 2. General data – CSHD125 to CSHD183

		CSHD125	CSHD136	CSHD142	CSHD155	CSHD161	CSHD175	CSHD183
		10.5 ton	11.4 ton	12 ton	12.9 ton	13.4 ton	14.7 tons	15.3 tons
Compressor Data								
Nominal Speed - 60 Hz	rpm	3500	3500	3500	3500	3500	3500	3500
Nominal Speed - 50 Hz	rpm	2900	2900	2900	2900	2900	2900	2900
Displacement at nominal speed - 60 Hz	ft ³ /hr	863	942	981	1072	1120	1215	1265
Displacement at nominal speed - 50 Hz	ft ³ /hr	715	781	813	888	928	1007	1048
Swept Volume	in ³ /rev	7.10	7.75	8.08	8.82	9.22	10.00	10.41
Internal Pressure Relief Valve	psig	None	None	None	None	None	None	None
Starts/Hour - maximum		12	12	12	12	12	12	12
Maximum High Pressure Switch Cutout Setting	psig	650	650	650	650	650	650	650
Minimum Low Pressure Switch Setting	psig	22	22	22	22	22	22	22
Minimum Pumpdown Low Pressure Switch Setting	psig	33	33	33	33	33	33	33
Recommended Pumpdown Low Pressure Setting (value below normal operating suction pressure)	psig	23	23	23	23	23	23	23
Maximum System Test Pressure - (high/low)	psig	660/483	660/483	660/483	660/483	660/483	660/483	660/483
Maximum Test Pressure Differential	psig	535	535	535	535	535	535	535
Mechanical Data								
Refrigerant Type		R-410A	R-410A	R-410A	R-410A	R-410A	R-410A	R-410A
Refrigerant Charge (limit)	lbs	17	17	17	17	17	17	17
Oil Type		Trane OIL00079 (qt)/OIL00080 (gal)						
Oil Charge	oz	112	112	112	112	112	122	122
Suction Fitting Connection		Brazed	Brazed	Brazed	Brazed	Brazed	Brazed	Brazed
Suction Fitting Size (ODF)	in	1.375	1.375	1.375	1.375	1.375	1.375	1.375
Discharge Fitting Connection		Brazed	Brazed	Brazed	Brazed	Brazed	Brazed	Brazed
Discharge Fitting Size (ODF)	in	.875	.875	.875	.875	.875	.875	.875
Oil Equalizer Connection		Rotalock	Rotalock	Rotalock	Rotalock	Rotalock	Rotalock	Rotalock
Oil Equalizer Fitting Size	in	1.75	1.75	1.75	1.75	1.75	1.75	1.75
Oil Sight Glass		Threaded	Threaded	Threaded	Threaded	Threaded	Threaded	Threaded
Oil Charging Valve		Yes	Yes	Yes	Yes	Yes	Yes	Yes
Oil Drain Valve		None	None	None	None	None	None	None
Low Pressure Gauge Port - Schrader	in	0.25	0.25	0.25	0.25	0.25	0.25	0.25
Maximum Compressor Tilt		10°	10°	10°	10°	10°	10°	10°

Notes:

1. Suction and brazing connections are copper plated steel.
2. Recommended brazing material BcuP-3 or BA9-28.



Performance Data

Rated Performance at AHRI Standard

- AHRI Standard: 45°F SST/130°F SCT, 20°F Superheat/15°F Subcooling.
- Data only valid for standard volume ratio designs (model number digit 12 = M).

Table 3. Rated performance at AHRI standard

Compr Size CSDHxxx	Voltage	Capacity (Btu/hr)	Power (watts)	Current (amps)	Flow (lbs/hr)	EER (Btu/watt-hr)
075	200-60-3	73,265	7,243	26.6	1,081	10.12
	230-60-3	73,265	7,243	23.1	1,081	10.12
	400-50-3	61,077	6,025	11.6	901	10.14
	460-60-3	73,265	7,243	11.6	1,081	10.12
	575-60-3	-	-	-	-	-
089	200-60-3	86,734	8,348	29.4	1,280	10.39
	230-60-3	87,769	8,423	25.8	1,295	10.42
	400-50-3	71,780	6,996	12.5	1,059	10.26
	460-60-3	88,284	8,392	12.9	1,303	10.52
	575-60-3	88,284	8,392	10.4	1,303	10.52
092	200-60-3	91,775	8,707	30.7	1,355	10.54
	230-60-3	92,818	8,781	26.9	1,370	10.57
	400-50-3	75,909	7,292	13.1	1,120	10.41
	460-60-3	93,362	8,742	13.5	1,378	10.68
	575-60-3	93,362	8,742	10.8	1,378	10.68
103	200-60-3	-	-	-	-	-
	230-60-3	104,796	9,431	29.7	1,539	11.11
	400-50-3	85,114	7,889	15.0	1,253	10.79
	460-60-3	-	-	-	-	-
	575-60-3	-	-	-	-	-
105	200-60-3	102,953	9,768	35.3	1,519	10.54
	230-60-3	104,122	9,851	30.9	1,537	10.57
	400-50-3	85,436	8,191	15.2	1,261	10.43
	460-60-3	104,733	9,806	15.1	1,546	10.68
	575-60-3	104,733	9,806	12.0	1,546	10.68
110	200-60-3	109,390	10,129	36.6	1,614	10.80
	230-60-3	110,633	10,206	32.1	1,633	10.84
	400-50-3	90,918	8,492	15.8	1,341	10.71
	460-60-3	111,282	10,163	15.6	1,642	10.95
	575-60-3	111,282	10,163	12.5	1,642	10.95
120	200-60-3	119,354	11,146	35.2	1,762	10.71
	230-60-3	120,711	11,238	33.5	1,782	10.74
	400-50-3	99,596	9,248	16.5	1,470	10.77
	460-60-3	121,419	11,190	16.8	1,792	10.85
	575-60-3	-	-	-	-	-



Performance Data

Table 3. Rated performance at AHRI standard (continued)

Compr Size CSDHxxx	Voltage	Capacity (Btu/hr)	Power (watts)	Current (amps)	Flow (lbs/hr)	EER (Btu/watt-hr)
125	200-60-3	123,083	11,439	39.3	1,817	10.76
	230-60-3	124,481	11,526	34.4	1,837	10.80
	400-50-3	102,703	9,492	17.0	1,516	10.82
	460-60-3	125,211	11,477	17.2	1,848	10.91
	575-60-3	125,211	11,477	13.8	1,848	10.91
136	200-60-3	134,347	12,527	39.7	1,983	10.72
	230-60-3	135,874	12,631	37.8	2,005	10.76
	400-50-3	110,999	10,479	18.5	1,638	10.59
	460-60-3	136,671	12,578	18.7	2,017	10.87
	575-60-3	-	-	-	-	-
142	200-60-3	139,945	12,982	44.7	2,065	10.78
	230-60-3	141,535	13,093	39.2	2,089	10.81
	400-50-3	115,623	10,857	19.2	1,706	10.65
	460-60-3	142,365	13,037	19.4	2,101	10.92
	575-60-3	142,365	13,037	15.5	2,101	10.92
155	200-60-3	154,588	14,209	45.1	2,282	10.88
	230-60-3	156,345	14,327	43.0	2,308	10.91
	400-50-3	127,703	11,790	20.1	1,885	10.83
	460-60-3	157,262	14,266	20.5	2,321	11.02
	575-60-3	-	-	-	-	-
161	200-60-3	161,233	14,765	50.9	2,380	10.92
	230-60-3	163,065	14,878	44.6	2,407	10.96
	400-50-3	133,187	12,241	20.8	1,966	10.88
	460-60-3	164,022	14,817	21.3	2,421	11.07
	575-60-3	164,022	14,817	17.0	2,421	11.07
175	200-60-3	173,934	15,825	50.5	2,567	10.99
	230-60-3	175,911	15,957	48.5	2,596	11.02
	400-50-3	144,118	13,381	23.9	2,127	10.77
	460-60-3	176,104	15,981	24.3	2,599	11.02
	575-60-3	-	-	-	-	-
183	200-60-3	181,182	16,399	52.3	2,674	11.05
	230-60-3	183,240	16,535	50.2	2,704	11.08
	400-50-3	150,123	13,866	24.7	2,216	10.83
	460-60-3	183,441	16,560	25.2	2,707	11.08
	575-60-3	-	-	-	-	-

Nominal Performance Data

Performance data valid only for standard volume ratio designs (model number digit 12 = M).

Capacity

Table 4. Capacity (btu/hr) — voltage 200-60-3

Compr Size CSDHxxx	Cond Temp °F	Evaporator Temp °F								
		-10	0	10	20	30	40	45	50	60
075	80	30,490	38,494	48,544	60,682	74,943	91,343	100,346	109,883	130,541
	90	28,340	36,137	45,849	57,518	71,177	86,841	95,425	104,509	124,161
	100	26,399	33,838	43,089	54,195	67,186	82,077	90,236	98,869	117,542
	110	24,632	31,582	40,263	50,718	62,978	77,060	84,786	92,966	110,677
	120	-	29,365	37,383	47,113	58,589	71,829	79,113	86,838	103,599
	130	-	-	34,466	43,412	54,059	66,430	73,265	80,532	96,351
	140	-	-	-	39,609	49,385	60,855	67,229	74,028	88,896
	150	-	-	-	-	44,418	54,917	60,795	67,092	80,938
089	80	34,001	43,614	55,597	70,001	86,865	106,215	116,825	128,057	152,382
	90	31,785	41,145	52,774	66,724	83,034	101,728	111,971	122,813	146,278
	100	29,450	38,473	49,661	63,065	78,723	96,660	106,485	116,882	139,379
	110	-	35,614	46,277	59,046	73,959	91,041	100,398	110,299	131,721
	120	-	-	42,663	54,718	68,802	84,941	93,784	103,142	123,393
	130	-	-	38,870	50,142	63,325	78,445	86,734	95,509	114,506
	140	-	-	-	45,339	57,549	71,574	79,270	87,421	105,079
	150	-	-	-	-	51,336	64,150	71,191	78,655	94,840
092	80	35,979	46,153	58,834	74,077	91,921	112,394	123,619	135,503	161,235
	90	33,633	43,537	55,845	70,608	87,868	107,650	118,490	129,961	154,790
	100	31,162	40,708	52,547	66,732	83,303	102,286	112,685	123,687	147,495
	110	-	37,683	48,965	62,476	78,259	96,337	106,240	116,718	139,390
	120	-	34,499	45,143	57,896	72,799	89,879	99,238	109,142	130,575
	130	-	-	41,135	53,057	67,004	83,003	91,775	101,062	121,168
	140	-	-	-	47,983	60,898	75,735	83,877	92,503	111,190
	150	-	-	-	-	54,332	67,886	75,334	83,231	100,357
105	80	42,205	53,078	66,608	82,856	101,867	123,671	135,625	148,279	175,681
	90	39,839	50,432	63,586	79,359	97,798	118,932	130,514	142,772	169,308
	100	37,288	47,511	60,190	75,384	93,141	113,489	124,639	136,439	161,981
	110	34,562	44,328	56,440	70,956	87,923	107,371	118,030	129,311	153,733
	120	-	40,923	52,383	66,130	82,211	100,655	110,769	121,475	144,660
	130	-	-	48,076	60,974	76,083	93,433	102,953	113,036	134,882
	140	-	-	-	55,508	69,560	85,723	94,601	104,010	124,412
	150	-	-	-	-	62,462	77,300	85,462	94,119	112,912



Performance Data

Table 4. Capacity (btu/hr) — voltage 200-60-3 (continued)

Compr Size CSDHxxx	Cond Temp °F	Evaporator Temp °F								
		-10	0	10	20	30	40	45	50	60
110	80	44,844	56,397	70,773	88,037	108,236	131,403	144,104	157,550	186,665
	90	42,330	53,586	67,561	84,321	103,912	126,368	138,674	151,699	179,894
	100	39,619	50,481	63,953	80,098	98,964	120,584	132,432	144,970	172,108
	110	36,723	47,100	59,969	75,393	93,421	114,085	125,410	137,396	163,344
	120	-	43,482	55,658	70,265	87,351	106,949	117,694	129,071	153,705
	130	-	-	51,082	64,786	80,840	99,275	109,390	120,104	143,316
	140	-	-	-	58,979	73,909	91,083	100,516	110,513	132,191
	150	-	-	-	-	66,367	82,133	90,805	100,004	119,971
120	80	48,098	61,107	77,370	96,957	119,918	146,279	160,736	176,041	209,169
	90	45,519	58,148	73,852	92,699	114,737	139,993	153,828	168,465	200,119
	100	42,456	54,657	69,754	87,813	108,881	132,984	146,173	160,119	190,252
	110	38,975	50,695	65,132	82,350	102,396	125,292	137,810	151,037	179,597
	120	-	46,349	60,074	76,400	95,372	117,012	128,833	141,317	168,256
	130	-	-	54,677	70,063	87,914	108,252	119,354	131,075	156,349
	140	-	-	-	63,383	80,056	99,035	109,390	120,317	143,870
	150	-	-	-	-	71,601	89,098	98,641	108,710	130,407
125	80	49,594	63,016	79,794	99,997	123,673	150,851	165,756	181,537	215,708
	90	46,938	59,964	76,163	95,601	118,326	144,365	158,630	173,724	206,378
	100	43,782	56,364	71,935	90,560	112,285	137,136	150,736	165,117	196,205
	110	40,192	52,278	67,168	84,926	105,596	129,204	142,112	155,753	185,218
	120	-	47,794	61,952	78,790	98,354	120,667	132,856	145,731	173,522
	130	-	-	56,385	72,256	90,665	111,636	123,083	135,169	161,241
	140	-	-	-	65,368	82,563	102,132	112,808	124,076	148,370
	150	-	-	-	-	73,844	91,885	101,723	112,105	134,480
136	80	56,529	70,562	88,136	109,328	134,191	162,756	178,429	195,023	230,956
	90	53,325	67,022	84,101	104,635	128,681	156,266	171,388	187,391	222,019
	100	49,972	63,171	79,597	99,325	122,408	148,876	163,380	178,728	211,930
	110	46,478	59,032	74,660	93,437	115,419	140,635	154,458	169,087	200,738
	120	-	54,652	69,354	87,055	107,811	131,654	144,735	158,586	188,574
	130	-	-	63,755	80,272	99,695	122,060	134,347	147,369	175,594
	140	-	-	-	73,116	91,103	111,881	123,322	135,460	161,813
	150	-	-	-	-	81,799	100,827	111,332	122,496	146,785
142	80	58,822	73,542	91,905	113,993	139,866	169,566	185,857	203,108	240,475
	90	55,558	69,832	87,615	108,986	134,008	162,721	178,467	195,140	231,250
	100	52,106	65,815	82,886	103,402	127,425	154,995	170,116	186,127	220,807
	110	48,467	61,498	77,736	97,265	120,146	146,422	160,839	176,108	209,188
	120	-	56,921	72,217	90,640	112,253	137,098	150,739	165,192	196,520
	130	-	-	66,395	83,611	103,845	127,142	139,945	153,518	182,960
	140	-	-	-	76,193	94,941	116,571	128,474	141,101	168,520
	150	-	-	-	68,183	85,286	105,072	115,978	127,560	152,742

Table 4. Capacity (btu/hr) – voltage 200-60-3 (continued)

Compr Size CSDHxxx	Cond Temp °F	Evaporator Temp °F								
		-10	0	10	20	30	40	45	50	60
155	80	65,783	82,315	102,959	127,803	156,910	190,314	208,628	228,013	269,964
	90	61,791	77,889	97,904	121,921	150,002	182,181	199,809	218,456	258,783
	100	57,569	73,065	92,286	115,317	142,219	173,027	189,896	207,737	246,308
	110	53,144	67,881	86,154	108,048	133,624	162,916	178,957	195,923	232,604
	120	-	62,408	79,597	100,218	124,336	151,983	167,132	183,162	217,832
	130	-	-	72,713	91,949	114,494	140,385	154,588	169,625	202,178
	140	-	-	-	83,282	104,143	128,163	141,362	155,351	185,670
	150	-	-	-	-	93,030	114,997	127,095	139,934	167,811
161	80	68,555	85,891	107,473	133,395	163,727	198,514	217,585	237,773	281,483
	90	64,461	81,258	102,126	127,156	156,419	189,959	208,339	227,791	269,897
	100	60,091	76,220	96,233	120,223	148,259	180,387	197,992	216,622	256,944
	110	55,469	70,804	89,829	112,636	139,296	169,853	186,598	204,322	242,684
	120	-	65,076	82,994	104,491	129,638	158,479	174,292	191,032	227,276
	130	-	-	75,820	95,898	119,415	146,418	161,233	176,923	210,912
	140	-	-	-	86,891	108,663	133,702	147,454	162,026	193,618
	150	-	-	-	-	97,107	119,987	132,571	145,916	174,880
175	80	73,671	92,129	115,084	142,630	174,834	211,734	231,945	253,324	299,557
	90	69,534	87,463	109,684	136,290	167,349	202,896	222,353	242,927	287,393
	100	65,114	82,353	103,684	129,202	158,973	193,032	211,671	231,378	273,961
	110	60,436	76,834	97,129	121,414	149,757	182,194	199,950	218,725	259,301
	120	-	70,979	90,105	113,027	139,815	170,507	187,319	205,103	243,558
	130	-	-	82,712	104,160	129,283	158,120	173,934	190,675	226,906
	140	-	-	-	94,844	118,187	145,052	159,810	175,448	209,335
	150	-	-	-	-	106,211	130,904	144,500	158,924	190,236
183	80	76,741	95,968	119,879	148,572	182,119	220,556	241,609	263,880	312,039
	90	72,431	91,107	114,254	141,969	174,322	211,350	231,618	253,049	299,368
	100	67,827	85,784	108,004	134,585	165,597	201,075	220,491	241,018	285,376
	110	62,955	80,036	101,176	126,472	155,997	189,786	208,281	227,838	270,105
	120	-	73,936	93,859	117,737	145,641	177,612	195,124	213,649	253,707
	130	-	-	86,159	108,500	134,670	164,708	181,182	198,620	236,361
	140	-	-	-	98,796	123,111	151,096	166,469	182,758	218,057
	150	-	-	-	-	110,636	136,359	150,520	165,546	198,163



Performance Data

Table 5. Capacity (btu/hr) – voltage 230-60-3

Compr Size CSDHxxx	Cond Temp °F	Evaporator Temp °F								
		-10	0	10	20	30	40	45	50	60
075	80	30,490	38,494	48,544	60,682	74,943	91,343	100,346	109,883	130,541
	90	28,340	36,137	45,849	57,518	71,177	86,841	95,425	104,509	124,161
	100	26,399	33,838	43,089	54,195	67,186	82,077	90,236	98,869	117,542
	110	24,632	31,582	40,263	50,718	62,978	77,060	84,786	92,966	110,677
	120	-	29,365	37,383	47,113	58,589	71,829	79,113	86,838	103,599
	130	-	-	34,466	43,412	54,059	66,430	73,265	80,532	96,351
	140	-	-	-	39,609	49,385	60,855	67,229	74,028	88,896
	150	-	-	-	-	44,418	54,917	60,795	67,092	80,938
089	80	34,407	44,134	56,260	70,836	87,902	107,482	118,219	129,586	154,201
	90	32,165	41,636	53,404	67,521	84,025	102,941	113,308	124,278	148,023
	100	29,802	38,932	50,254	63,818	79,663	97,813	107,756	118,277	141,042
	110	-	36,039	46,829	59,750	74,842	92,127	101,596	111,615	133,292
	120	-	32,989	43,172	55,371	69,623	85,955	94,903	104,373	124,866
	130	-	-	39,334	50,740	64,081	79,381	87,769	96,649	115,872
	140	-	-	-	45,880	58,236	72,428	80,216	88,464	106,333
	150	-	-	-	-	51,948	64,916	72,041	79,593	95,972
092	80	36,388	46,677	59,503	74,919	92,966	113,671	125,024	137,043	163,068
	90	34,015	44,032	56,479	71,411	88,867	108,873	119,836	131,438	156,549
	100	31,516	41,171	53,144	67,491	84,250	103,448	113,965	125,093	149,171
	110	-	38,112	49,521	63,186	79,148	97,432	107,447	118,045	140,975
	120	-	34,892	45,656	58,554	73,627	90,900	100,365	110,382	132,059
	130	-	-	41,603	53,660	67,766	83,946	92,818	102,210	122,545
	140	-	-	-	48,528	61,590	76,595	84,831	93,554	112,454
	150	-	-	-	-	54,950	68,657	76,190	84,176	101,497
103	80	44,121	55,876	70,108	87,018	106,807	129,677	142,330	155,829	185,463
	90	41,333	52,644	66,281	82,444	101,335	123,154	135,225	148,104	176,385
	100	38,560	49,410	62,433	77,831	95,806	116,557	128,037	140,287	167,196
	110	35,684	46,055	58,447	73,063	90,102	109,768	120,648	132,260	157,780
	120	-	42,462	54,205	68,020	84,107	102,669	112,940	123,905	148,017
	130	-	-	49,590	62,586	77,703	95,142	104,796	115,105	137,792
	140	-	-	-	56,643	70,772	87,071	96,098	105,742	126,986
	150	-	-	-	-	63,197	78,338	86,729	95,700	115,483
105	80	42,685	53,681	67,365	83,797	103,024	125,075	137,165	149,963	177,676
	90	40,292	51,005	64,308	80,260	98,908	120,282	131,996	144,393	171,230
	100	37,711	48,050	60,873	76,240	94,199	114,777	126,054	137,988	163,820
	110	34,954	44,832	57,081	71,762	88,922	108,591	119,370	130,780	155,478
	120	-	41,388	52,978	66,881	83,144	101,798	112,026	122,855	146,303
	130	-	-	48,622	61,666	76,947	94,494	104,122	114,320	136,414
	140	-	-	-	56,138	70,350	86,696	95,675	105,191	125,825
	150	-	-	-	-	63,171	78,177	86,432	95,188	114,194

Table 5. Capacity (btu/hr) — voltage 230-60-3 (continued)

Compr Size CSDHxxx	Cond Temp °F	Evaporator Temp °F								
		-10	0	10	20	30	40	45	50	60
110	80	45,354	57,037	71,577	89,037	109,466	132,897	145,742	159,340	188,786
	90	42,811	54,195	68,329	85,279	105,093	127,804	140,250	153,422	181,938
	100	40,069	51,055	64,680	81,008	100,089	121,955	133,936	146,617	174,064
	110	37,140	47,635	60,650	76,249	94,482	115,381	126,835	138,958	165,201
	120	-	43,976	56,291	71,063	88,343	108,164	119,032	130,537	155,452
	130	-	-	51,662	65,523	81,758	100,403	110,633	121,468	144,944
	140	-	-	-	59,649	74,749	92,118	101,658	111,769	133,693
	150	-	-	-	-	67,121	83,066	91,837	101,140	121,335
120	80	48,645	61,802	78,250	98,059	121,280	147,941	162,563	178,041	211,546
	90	46,036	58,809	74,691	93,753	116,041	141,584	155,576	170,380	202,393
	100	42,939	55,278	70,547	88,811	110,118	134,495	147,834	161,938	192,414
	110	39,418	51,272	65,872	83,286	103,559	126,716	139,376	152,753	181,638
	120	-	46,875	60,757	77,268	96,455	118,341	130,297	142,923	170,168
	130	-	-	55,298	70,859	88,913	109,483	120,711	132,565	158,126
	140	-	-	-	64,104	80,966	100,161	110,633	121,685	145,506
	150	-	-	-	-	72,415	90,111	99,762	109,946	131,889
125	80	50,157	63,732	80,701	101,133	125,078	152,564	167,639	183,599	218,158
	90	47,471	60,645	77,028	96,687	119,670	146,005	160,432	175,697	208,722
	100	44,279	57,004	72,752	91,589	113,560	138,693	152,448	166,992	198,433
	110	40,648	52,871	67,931	85,891	106,796	130,672	143,726	157,522	187,322
	120	-	48,337	62,655	79,685	99,471	122,037	134,365	147,386	175,493
	130	-	-	57,026	73,077	91,695	112,904	124,481	136,705	163,073
	140	-	-	-	66,110	83,500	103,292	114,089	125,485	150,055
	150	-	-	-	-	74,683	92,928	102,879	113,378	136,008
136	80	57,172	71,364	89,138	110,570	135,716	164,606	180,456	197,239	233,580
	90	53,931	67,784	85,056	105,824	130,143	158,042	173,335	189,521	224,542
	100	50,540	63,889	80,502	100,453	123,799	150,568	165,237	180,759	214,338
	110	47,006	59,703	75,508	94,499	116,731	142,233	156,213	171,008	203,019
	120	-	55,273	70,142	88,044	109,036	133,150	146,380	160,388	190,717
	130	-	-	64,480	81,184	100,828	123,447	135,874	149,044	177,590
	140	-	-	-	73,947	92,138	113,153	124,723	137,000	163,651
	150	-	-	-	-	82,729	101,972	112,597	123,888	148,453
142	80	59,490	74,377	92,949	115,288	141,455	171,493	187,969	205,415	243,207
	90	56,189	70,626	88,610	110,224	135,530	164,570	180,495	197,357	233,877
	100	52,698	66,562	83,828	104,577	128,873	156,756	172,049	188,242	223,316
	110	49,018	62,197	78,619	98,370	121,511	148,086	162,666	178,108	211,565
	120	-	57,568	73,038	91,670	113,528	138,656	152,452	167,069	198,753
	130	-	-	67,150	84,561	105,025	128,586	141,535	155,262	185,038
	140	-	-	-	77,059	96,020	117,895	129,933	142,704	170,435
	150	-	-	-	68,958	86,255	106,265	117,296	129,010	154,477



Performance Data

Table 5. Capacity (btu/hr) — voltage 230-60-3 (continued)

Compr Size CSHDxxx	Cond Temp °F	Evaporator Temp °F								
		-10	0	10	20	30	40	45	50	60
155	80	66,530	83,250	104,129	129,256	158,693	192,477	210,999	230,604	273,032
	90	62,493	78,774	99,016	123,306	151,707	184,252	202,079	220,939	261,724
	100	58,223	73,895	93,334	116,627	143,835	174,993	192,053	210,098	249,107
	110	53,747	68,653	87,133	109,275	135,142	164,767	180,990	198,149	235,248
	120	-	63,117	80,501	101,357	125,749	153,710	169,032	185,243	220,307
	130	-	-	73,540	92,994	115,795	141,981	156,345	171,553	204,476
	140	-	-	-	84,229	105,327	129,620	142,969	157,116	187,781
	150	-	-	-	-	94,087	116,304	128,540	141,525	169,720
161	80	69,334	86,867	108,694	134,910	165,587	200,770	220,057	240,475	284,682
	90	65,193	82,182	103,287	128,601	158,196	192,117	210,706	230,380	272,964
	100	60,774	77,086	97,326	121,589	149,944	182,437	200,242	219,084	259,864
	110	56,099	71,609	90,850	113,916	140,879	171,783	188,719	206,643	245,442
	120	-	65,816	83,937	105,678	131,111	160,280	176,273	193,202	229,858
	130	-	-	76,682	96,988	120,772	148,082	163,065	178,933	213,308
	140	-	-	-	87,879	109,898	135,221	149,129	163,867	195,818
	150	-	-	-	-	98,210	121,350	134,077	147,574	176,867
175	80	74,508	93,176	116,391	144,250	176,821	214,140	234,580	256,203	302,961
	90	70,324	88,457	110,930	137,839	169,251	205,202	224,879	245,687	290,659
	100	65,854	83,288	104,862	130,670	160,779	195,226	214,076	234,007	277,073
	110	61,123	77,707	98,232	122,793	151,458	184,264	202,221	221,210	262,247
	120	-	71,785	91,128	114,311	141,404	172,445	189,447	207,433	246,326
	130	-	-	83,652	105,344	130,752	159,917	175,911	192,842	229,485
	140	-	-	-	95,922	119,530	146,700	161,626	177,441	211,713
	150	-	-	-	-	107,417	132,392	146,141	160,730	192,398
183	80	77,612	97,058	121,241	150,261	184,189	223,062	244,354	266,878	315,584
	90	73,254	92,142	115,552	143,582	176,303	213,752	234,249	255,924	302,770
	100	68,598	86,759	109,231	136,114	167,478	203,360	222,996	243,757	288,618
	110	63,670	80,945	102,325	127,910	157,769	191,942	210,647	230,427	273,174
	120	-	74,777	94,925	119,074	147,296	179,630	197,341	216,076	256,589
	130	-	-	87,138	109,733	136,200	166,580	183,240	200,877	239,046
	140	-	-	-	99,919	124,510	152,813	168,360	184,835	220,535
	150	-	-	-	-	111,893	137,908	152,231	167,427	200,414



Performance Data

Table 6. Capacity (btu/hr) — voltage 400-50-3

Compr Size CSHDxxx	Cond Temp °F	Evaporator Temp °F								
		-10	0	10	20	30	40	45	50	60
075	80	12,756	23,688	35,537	48,298	61,963	76,510	84,107	91,914	108,132
	90	23,436	30,098	38,318	48,129	59,557	72,611	79,749	87,292	103,580
	100	28,617	32,714	38,701	46,636	56,564	68,518	75,260	82,513	98,545
	110	28,954	31,981	36,962	43,964	53,042	64,237	70,637	77,572	93,049
	120	-	28,394	33,414	40,290	49,072	59,799	65,900	72,493	87,153
	130	-	-	28,400	35,806	44,745	55,242	61,077	67,305	80,925
	140	-	-	-	30,685	40,119	50,555	56,146	61,982	74,373
	150	-	-	-	-	35,142	45,584	50,917	56,317	67,291
089	80	29,436	37,464	47,487	59,546	73,673	89,887	98,778	108,192	128,577
	90	27,451	35,177	44,803	56,369	69,907	85,435	93,947	102,958	122,465
	100	25,394	32,780	41,968	52,998	65,902	80,698	88,808	97,391	115,969
	110	-	30,282	38,993	49,445	61,671	75,687	83,369	91,500	109,097
	120	-	27,706	35,904	45,741	57,248	70,443	77,676	85,331	101,901
	130	-	-	32,735	41,924	52,678	65,015	71,780	78,941	94,445
	140	-	-	-	37,997	47,961	59,401	65,677	72,323	86,716
	150	-	-	-	-	42,957	53,425	59,172	65,261	78,456
092	80	31,131	39,622	50,221	62,972	77,910	95,055	104,458	114,414	135,976
	90	29,030	37,203	47,382	59,612	73,927	90,348	99,350	108,880	129,513
	100	26,852	34,666	44,384	56,048	69,693	85,339	93,915	102,993	122,642
	110	24,606	32,023	41,237	52,291	65,219	80,041	88,164	96,763	115,374
	120	-	29,298	37,970	48,374	60,542	74,495	82,144	90,239	107,764
	130	-	-	34,618	44,337	55,709	68,756	75,909	83,482	99,878
	140	-	-	-	40,184	50,721	62,818	69,455	76,483	91,704
	150	-	-	-	-	45,430	56,499	62,576	69,015	82,968
103	80	34,983	45,146	57,035	70,963	87,244	106,190	116,760	128,114	153,329
	90	32,584	42,470	53,919	67,246	82,762	100,781	110,827	121,616	145,578
	100	30,054	39,671	50,690	63,423	78,182	95,282	104,807	115,035	137,753
	110	27,284	36,640	47,235	59,381	73,392	89,581	98,589	108,260	129,741
	120	-	33,264	43,443	55,011	68,281	83,566	92,062	101,179	121,432
	130	-	-	39,203	50,201	62,738	77,127	85,114	93,681	112,714
	140	-	-	-	44,838	56,650	70,151	77,633	85,655	103,475
	150	-	-	-	-	49,906	62,527	69,508	76,989	93,603
105	80	32,017	41,338	53,186	67,614	84,661	104,350	115,188	126,687	151,659
	90	30,601	39,657	51,076	64,909	81,193	99,948	110,256	121,182	144,877
	100	29,083	37,790	48,697	61,851	77,288	95,029	104,765	115,077	137,416
	110	-	35,743	46,058	58,457	72,971	89,620	98,747	108,408	129,317
	120	-	33,534	43,192	54,768	68,295	83,789	92,276	101,255	120,675
	130	-	-	40,135	50,835	63,322	77,613	85,436	93,710	111,596
	140	-	-	-	46,662	58,063	71,104	78,242	85,789	102,100
	150	-	-	-	-	52,357	64,072	70,485	77,265	91,920



Performance Data

Table 6. Capacity (btu/hr) — voltage 400-50-3 (continued)

Compr Size CSDHxxx	Cond Temp °F	Evaporator Temp °F								
		-10	0	10	20	30	40	45	50	60
110	80	33,788	43,720	56,423	71,896	90,138	111,151	122,696	134,934	161,488
	90	32,854	42,494	54,728	69,555	86,975	106,988	117,968	129,596	154,796
	100	31,282	40,557	52,249	66,356	82,881	101,821	112,198	123,179	146,954
	110	-	38,137	49,213	62,528	78,083	95,878	105,615	115,912	138,187
	120	-	-	45,848	58,297	72,809	89,384	98,446	108,023	128,724
	130	-	-	-	53,891	67,287	82,569	90,918	99,738	118,793
	140	-	-	-	-	61,743	75,659	83,258	91,285	108,620
	150	-	-	-	-	-	68,882	75,695	82,892	98,434
120	80	40,778	51,876	65,748	82,454	102,036	124,518	136,847	149,899	178,150
	90	38,032	48,768	62,134	78,189	96,975	118,514	130,317	142,806	169,822
	100	35,188	45,482	58,265	73,594	91,511	112,037	123,280	135,173	160,890
	110	32,261	42,039	54,165	68,695	85,671	105,115	115,764	127,027	151,379
	120	-	38,478	49,880	63,547	79,518	97,817	107,840	118,443	141,371
	130	-	-	45,464	58,212	73,124	90,224	99,596	109,513	130,967
	140	-	-	-	52,703	66,500	82,344	91,036	100,239	120,161
	150	-	-	-	-	59,465	73,948	81,905	90,336	108,606
125	80	42,027	53,509	67,836	85,068	105,250	128,411	141,111	154,558	183,676
	90	39,223	50,297	64,079	80,628	99,989	122,190	134,359	147,238	175,119
	100	36,304	46,906	60,076	75,872	94,338	115,502	127,099	139,372	165,932
	110	33,283	43,352	55,844	70,818	88,317	108,369	119,355	130,980	156,136
	120	-	39,672	51,427	65,517	81,983	100,854	111,194	122,137	145,816
	130	-	-	46,875	60,028	75,406	93,039	102,703	112,932	135,072
	140	-	-	-	54,360	68,593	84,925	93,882	103,365	123,898
	150	-	-	-	-	61,352	76,274	84,464	93,140	111,937
136	80	47,233	59,039	73,759	91,455	112,172	135,933	148,956	162,737	192,552
	90	44,330	55,825	70,103	87,223	107,231	130,148	142,699	155,975	184,678
	100	41,225	52,305	66,038	82,485	101,691	123,677	135,714	148,443	175,958
	110	37,944	48,510	61,602	77,282	95,593	116,559	128,038	140,179	166,425
	120	-	44,495	56,860	71,686	89,018	108,882	119,764	131,278	156,176
	130	-	-	51,884	65,781	82,061	100,749	110,999	121,848	145,332
	140	-	-	-	59,598	74,748	92,182	101,758	111,905	133,891
	150	-	-	-	-	66,890	82,937	91,769	101,139	121,476
142	80	49,160	61,527	76,899	95,339	116,899	141,611	155,153	169,485	200,509
	90	46,187	58,167	73,034	90,852	111,674	135,530	148,600	162,431	192,364
	100	42,978	54,495	68,774	85,883	105,871	128,771	141,317	154,594	183,326
	110	39,556	50,535	64,147	80,459	99,521	121,365	133,334	146,002	173,420
	120	-	46,339	59,210	74,645	92,694	113,390	124,735	136,744	162,744
	130	-	-	54,031	68,519	85,479	104,946	115,623	126,930	151,418
	140	-	-	-	62,103	77,895	96,044	106,009	116,565	139,444
	150	-	-	-	-	69,736	86,427	95,602	105,328	126,427

Table 6. Capacity (btu/hr) — voltage 400-50-3 (continued)

Compr Size CSDHxxx	Cond Temp °F	Evaporator Temp °F								
		-10	0	10	20	30	40	45	50	60
155	80	53,481	67,389	84,755	105,655	130,141	158,241	173,648	189,955	225,246
	90	50,065	63,654	80,535	100,781	124,443	151,549	166,394	182,097	216,050
	100	46,425	59,532	75,767	95,202	117,888	143,852	158,065	173,093	205,575
	110	42,594	55,068	70,507	88,983	110,549	135,230	148,740	163,027	193,904
	120	-	50,331	64,843	82,230	102,546	125,819	138,565	152,048	181,201
	130	-	-	58,875	75,062	94,019	115,774	127,703	140,330	167,655
	140	-	-	-	67,538	85,029	105,160	116,217	127,934	153,324
	150	-	-	-	-	75,402	93,747	103,848	114,567	137,839
161	80	55,726	70,300	88,453	110,261	135,782	165,051	181,096	198,080	234,851
	90	52,232	66,404	84,002	105,101	129,760	158,013	173,492	189,871	225,315
	100	48,468	62,104	79,006	99,250	122,892	149,968	164,798	180,488	214,434
	110	44,464	57,439	73,513	92,760	115,239	140,984	155,086	170,006	202,286
	120	-	52,477	67,605	85,732	106,916	131,193	144,495	158,572	189,036
	130	-	-	61,378	78,279	98,055	120,745	133,187	146,359	174,880
	140	-	-	-	70,453	88,714	109,701	121,222	133,427	159,875
	150	-	-	-	-	78,699	97,813	108,322	119,465	143,641
175	80	61,007	76,629	96,128	119,586	147,063	178,590	195,873	214,166	253,749
	90	57,392	72,492	91,271	113,812	140,172	170,383	186,933	204,443	242,311
	100	53,590	68,053	86,002	107,518	132,658	161,453	177,222	193,902	229,965
	110	49,618	63,338	80,351	100,738	124,556	151,837	166,777	182,580	216,746
	120	-	58,400	74,384	93,550	115,956	141,634	155,701	170,584	202,771
	130	-	-	68,175	86,042	106,959	130,960	144,118	158,045	188,181
	140	-	-	-	78,232	97,581	119,823	132,032	144,962	172,967
	150	-	-	-	-	87,552	107,887	119,068	130,921	156,624
183	80	63,548	79,822	100,133	124,569	153,191	186,031	204,035	223,089	264,322
	90	59,783	75,512	95,074	118,554	146,012	177,482	194,722	212,961	252,407
	100	55,823	70,888	89,585	111,997	138,185	168,180	184,606	201,981	239,547
	110	51,686	65,977	83,699	104,935	129,746	158,163	173,726	190,187	225,777
	120	-	60,833	77,483	97,447	120,787	147,535	162,189	177,692	211,220
	130	-	-	71,015	89,627	111,416	136,416	150,123	164,631	196,022
	140	-	-	-	81,492	101,647	124,816	137,533	151,003	180,174
	150	-	-	-	-	91,200	112,383	124,029	136,376	163,150



Performance Data

Table 7. Capacity (btu/hr) – voltage 460-60-3

Compr Size CSDHxxx	Cond Temp °F	Evaporator Temp °F								
		-10	0	10	20	30	40	45	50	60
075	80	30,490	38,494	48,544	60,682	74,943	91,343	100,346	109,883	130,541
	90	28,340	36,137	45,849	57,518	71,177	86,841	95,425	104,509	124,161
	100	26,399	33,838	43,089	54,195	67,186	82,077	90,236	98,869	117,542
	110	24,632	31,582	40,263	50,718	62,978	77,060	84,786	92,966	110,677
	120	-	29,365	37,383	47,113	58,589	71,829	79,113	86,838	103,599
	130	-	-	34,466	43,412	54,059	66,430	73,265	80,532	96,351
	140	-	-	-	39,609	49,385	60,855	67,229	74,028	88,896
	150	-	-	-	-	44,418	54,917	60,795	67,092	80,938
089	80	34,611	44,397	56,596	71,259	88,425	108,119	118,917	130,348	155,102
	90	32,353	41,881	53,720	67,922	84,526	103,555	113,983	125,018	148,902
	100	29,977	39,160	50,548	64,194	80,135	98,395	108,398	118,982	141,884
	110	-	36,250	47,102	60,100	75,282	92,672	102,199	112,278	134,088
	120	-	33,187	43,425	55,694	70,030	86,460	95,463	104,990	125,608
	130	-	-	39,571	51,039	64,455	79,846	88,284	97,217	116,559
	140	-	-	-	46,158	58,581	72,854	80,687	88,984	106,961
	150	-	-	-	-	52,266	65,303	72,469	80,065	96,539
092	80	36,601	46,951	59,851	75,358	93,511	114,338	125,757	137,846	164,023
	90	34,214	44,290	56,810	71,829	89,388	109,512	120,539	132,209	157,466
	100	31,701	41,412	53,456	67,886	84,744	104,055	114,633	125,826	150,045
	110	-	38,335	49,811	63,557	79,612	98,003	108,077	118,737	141,801
	120	-	35,097	45,923	58,897	74,058	91,433	100,954	111,029	132,833
	130	-	-	41,847	53,974	68,163	84,438	93,362	102,809	123,263
	140	-	-	-	48,813	61,950	77,044	85,328	94,102	113,113
	150	-	-	-	-	55,271	69,059	76,637	84,670	102,092
105	80	42,935	53,996	67,760	84,289	103,628	125,809	137,970	150,843	178,718
	90	40,528	51,304	64,685	80,731	99,489	120,988	132,770	145,241	172,235
	100	37,933	48,332	61,230	76,688	94,751	115,451	126,794	138,798	164,781
	110	35,160	45,095	57,416	72,183	89,443	109,228	120,071	131,547	156,390
	120	-	41,631	53,289	67,273	83,632	102,396	112,684	123,576	147,161
	130	-	-	48,907	62,028	77,398	95,048	104,733	114,991	137,215
	140	-	-	-	56,468	70,762	87,205	96,237	105,808	126,563
	150	-	-	-	-	63,542	78,636	86,939	95,747	114,864
110	80	45,620	57,372	71,997	89,559	110,108	133,676	146,597	160,275	189,894
	90	43,062	54,512	68,730	85,779	105,710	128,553	141,072	154,322	183,005
	100	40,304	51,354	65,059	81,483	100,676	122,670	134,722	147,477	175,085
	110	37,358	47,915	61,006	76,696	95,036	116,058	127,579	139,773	166,170
	120	-	44,234	56,621	71,480	88,861	108,798	119,730	131,303	156,364
	130	-	-	51,965	65,907	82,238	100,992	111,282	122,181	145,795
	140	-	-	-	59,999	75,187	92,658	102,254	112,425	134,477
	150	-	-	-	53,604	67,515	83,553	92,376	101,734	122,046

Table 7. Capacity (btu/hr) — voltage 460-60-3 (continued)

Compr Size CSDHxxx	Cond Temp °F	Evaporator Temp °F								
		-10	0	10	20	30	40	45	50	60
120	80	48,930	62,164	78,708	98,634	121,992	148,809	163,516	179,085	212,786
	90	46,306	59,154	75,129	94,302	116,722	142,414	156,489	171,379	203,580
	100	43,191	55,603	70,960	89,332	110,764	135,283	148,701	162,888	193,542
	110	39,649	51,572	66,259	83,775	104,167	127,459	140,193	153,649	182,704
	120	-	47,150	61,113	77,721	97,021	119,035	131,061	143,762	171,166
	130	-	-	55,623	71,275	89,435	110,125	121,419	133,342	159,053
	140	-	-	-	64,480	81,441	100,748	111,282	122,399	146,359
	150	-	-	-	-	72,839	90,639	100,347	110,591	132,663
125	80	50,451	64,105	81,174	101,726	125,811	153,459	168,622	184,675	219,437
	90	47,750	61,001	77,480	97,254	120,372	146,861	161,373	176,727	209,946
	100	44,539	57,338	73,179	92,126	114,226	139,507	153,342	167,972	199,597
	110	40,887	53,181	68,330	86,394	107,422	131,438	144,569	158,446	188,420
	120	-	48,620	63,023	80,152	100,054	122,753	135,153	148,251	176,522
	130	-	-	57,360	73,505	92,232	113,566	125,211	137,506	164,029
	140	-	-	-	66,498	83,990	103,898	114,758	126,221	150,935
	150	-	-	-	-	75,121	93,473	103,482	114,043	136,805
136	80	57,507	71,783	89,661	111,218	136,512	165,571	181,514	198,396	234,950
	90	54,248	68,181	85,555	106,445	130,906	158,969	174,352	190,632	225,859
	100	50,836	64,264	80,974	101,043	124,525	151,451	166,206	181,819	215,595
	110	47,282	60,053	75,951	95,053	117,415	143,068	157,129	172,011	204,210
	120	-	55,597	70,553	88,560	109,676	133,931	147,238	161,329	191,836
	130	-	-	64,858	81,660	101,420	124,171	136,671	149,918	178,631
	140	-	-	-	74,381	92,678	113,816	125,454	137,803	164,611
	150	-	-	-	-	83,214	102,570	113,257	124,615	149,324
142	80	59,839	74,813	93,494	115,964	142,285	172,499	189,071	206,620	244,633
	90	56,518	71,040	89,130	110,870	136,325	165,535	181,553	198,514	235,248
	100	53,007	66,953	84,319	105,190	129,628	157,675	173,058	189,346	224,625
	110	49,305	62,561	79,080	98,947	122,224	148,954	163,620	179,153	212,805
	120	-	57,905	73,466	92,207	114,194	139,469	153,346	168,049	199,918
	130	-	-	67,544	85,057	105,641	129,341	142,365	156,172	186,123
	140	-	-	61,326	77,511	96,583	118,587	130,695	143,541	171,434
	150	-	-	-	69,362	86,761	106,888	117,984	129,766	155,383
155	80	66,920	83,738	104,740	130,014	159,624	193,606	212,237	231,957	274,633
	90	62,860	79,236	99,597	124,029	152,597	185,332	203,264	222,234	263,259
	100	58,565	74,329	93,882	117,311	144,679	176,019	193,180	211,330	250,568
	110	54,063	69,055	87,644	109,916	135,935	165,733	182,052	199,312	236,627
	120	-	63,487	80,973	101,952	126,486	154,612	170,023	186,330	221,599
	130	-	-	73,971	93,539	116,474	142,813	157,262	172,559	205,676
	140	-	-	-	84,723	105,944	130,381	143,808	158,038	188,882
	150	-	-	-	-	94,639	116,986	129,294	142,355	170,715



Performance Data

Table 7. Capacity (btu/hr) — voltage 460-60-3 (continued)

Compr Size CSDHxxx	Cond Temp °F	Evaporator Temp °F								
		-10	0	10	20	30	40	45	50	60
161	80	69,737	87,375	109,334	135,708	166,567	201,956	221,354	241,888	286,344
	90	65,571	82,659	103,889	129,354	159,125	193,246	211,944	231,732	274,559
	100	61,130	77,534	97,892	122,298	150,822	183,507	201,417	220,369	261,386
	110	56,436	72,029	91,380	114,581	141,703	172,790	189,826	207,857	246,883
	120	-	66,208	84,430	106,296	131,878	161,220	177,307	194,338	231,211
	130	-	-	77,136	97,556	121,479	148,950	164,022	179,985	214,565
	140	-	-	-	88,395	110,540	136,012	150,002	164,828	196,971
	150	-	-	-	-	98,782	122,057	134,858	148,436	177,904
175	80	74,590	93,278	116,519	144,408	177,015	214,374	234,837	256,484	303,293
	90	70,401	88,554	111,052	137,990	169,437	205,427	225,126	245,957	290,978
	100	65,926	83,380	104,977	130,813	160,956	195,440	214,311	234,263	277,377
	110	61,190	77,793	98,340	122,928	151,624	184,466	202,443	221,452	262,535
	120	-	71,864	91,228	114,437	141,559	172,634	189,655	207,661	246,596
	130	-	-	83,744	105,459	130,895	160,092	176,104	193,053	229,736
	140	-	-	-	96,027	119,661	146,861	161,803	177,636	211,945
	150	-	-	-	-	107,535	132,537	146,302	160,906	192,609
183	80	77,698	97,165	121,374	150,425	184,391	223,307	244,622	267,171	315,931
	90	73,335	92,243	115,679	143,740	176,496	213,986	234,506	256,205	303,102
	100	68,673	86,854	109,351	136,264	167,662	203,583	223,241	244,024	288,935
	110	63,740	81,034	102,437	128,050	157,942	192,153	210,878	230,680	273,474
	120	-	74,859	95,030	119,205	147,457	179,827	197,557	216,313	256,871
	130	-	-	87,233	109,854	136,349	166,763	183,441	201,097	239,309
	140	-	-	-	100,028	124,647	152,981	168,545	185,037	220,776
	150	-	-	-	-	112,016	138,059	152,398	167,611	200,634

Performance Data

Table 8. Capacity (btu/hr) – voltage 575-60-3

Compr Size CSDHxxx	Cond Temp °F	Evaporator Temp °F								
		-10	0	10	20	30	40	45	50	60
089	80	34,611	44,397	56,596	71,259	88,425	108,119	118,917	130,348	155,102
	90	32,353	41,881	53,720	67,922	84,526	103,555	113,983	125,018	148,902
	100	29,977	39,160	50,548	64,194	80,135	98,395	108,398	118,982	141,884
	110	-	36,250	47,102	60,100	75,282	92,672	102,199	112,278	134,088
	120	-	33,187	43,425	55,694	70,030	86,460	95,463	104,990	125,608
	130	-	-	39,571	51,039	64,455	79,846	88,284	97,217	116,559
	140	-	-	-	46,158	58,581	72,854	80,687	88,984	106,961
	150	-	-	-	-	52,266	65,303	72,469	80,065	96,539
092	80	36,601	46,951	59,851	75,358	93,511	114,338	125,757	137,846	164,023
	90	34,214	44,290	56,810	71,829	89,388	109,512	120,539	132,209	157,466
	100	31,701	41,412	53,456	67,886	84,744	104,055	114,633	125,826	150,045
	110	-	38,335	49,811	63,557	79,612	98,003	108,077	118,737	141,801
	120	-	35,097	45,923	58,897	74,058	91,433	100,954	111,029	132,833
	130	-	-	41,847	53,974	68,163	84,438	93,362	102,809	123,263
	140	-	-	-	48,813	61,950	77,044	85,328	94,102	113,113
	150	-	-	-	-	55,271	69,059	76,637	84,670	102,092
105	80	42,935	53,996	67,760	84,289	103,628	125,809	137,970	150,843	178,718
	90	40,528	51,304	64,685	80,731	99,489	120,988	132,770	145,241	172,235
	100	37,933	48,332	61,230	76,688	94,751	115,451	126,794	138,798	164,781
	110	35,160	45,095	57,416	72,183	89,443	109,228	120,071	131,547	156,390
	120	-	41,631	53,289	67,273	83,632	102,396	112,684	123,576	147,161
	130	-	-	48,907	62,028	77,398	95,048	104,733	114,991	137,215
	140	-	-	-	56,468	70,762	87,205	96,237	105,808	126,563
	150	-	-	-	-	63,542	78,636	86,939	95,747	114,864
110	80	45,620	57,372	71,997	89,559	110,108	133,676	146,597	160,275	189,894
	90	43,062	54,512	68,730	85,779	105,710	128,553	141,072	154,322	183,005
	100	40,304	51,354	65,059	81,483	100,676	122,670	134,722	147,477	175,085
	110	37,358	47,915	61,006	76,696	95,036	116,058	127,579	139,773	166,170
	120	-	44,234	56,621	71,480	88,861	108,798	119,730	131,303	156,364
	130	-	-	51,965	65,907	82,238	100,992	111,282	122,181	145,795
	140	-	-	-	59,999	75,187	92,658	102,254	112,425	134,477
	150	-	-	-	53,604	67,515	83,553	92,376	101,734	122,046
125	80	50,451	64,105	81,174	101,726	125,811	153,459	168,622	184,675	219,437
	90	47,750	61,001	77,480	97,254	120,372	146,861	161,373	176,727	209,946
	100	44,539	57,338	73,179	92,126	114,226	139,507	153,342	167,972	199,597
	110	40,887	53,181	68,330	86,394	107,422	131,438	144,569	158,446	188,420
	120	-	48,620	63,023	80,152	100,054	122,753	135,153	148,251	176,522
	130	-	-	57,360	73,505	92,232	113,566	125,211	137,506	164,029
	140	-	-	-	66,498	83,990	103,898	114,758	126,221	150,935
	150	-	-	-	-	75,121	93,473	103,482	114,043	136,805



Performance Data

Table 8. Capacity (btu/hr) — voltage 575-60-3 (continued)

Compr Size CSDHxxx	Cond Temp °F	Evaporator Temp °F								
		-10	0	10	20	30	40	45	50	60
142	80	59,839	74,813	93,494	115,964	142,285	172,499	189,071	206,620	244,633
	90	56,518	71,040	89,130	110,870	136,325	165,535	181,553	198,514	235,248
	100	53,007	66,953	84,319	105,190	129,628	157,675	173,058	189,346	224,625
	110	49,305	62,561	79,080	98,947	122,224	148,954	163,620	179,153	212,805
	120	-	57,905	73,466	92,207	114,194	139,469	153,346	168,049	199,918
	130	-	-	67,544	85,057	105,641	129,341	142,365	156,172	186,123
	140	-	-	61,326	77,511	96,583	118,587	130,695	143,541	171,434
	150	-	-	-	69,362	86,761	106,888	117,984	129,766	155,383
161	80	69,737	87,375	109,334	135,708	166,567	201,956	221,354	241,888	286,344
	90	65,571	82,659	103,889	129,354	159,125	193,246	211,944	231,732	274,559
	100	61,130	77,534	97,892	122,298	150,822	183,507	201,417	220,369	261,386
	110	56,436	72,029	91,380	114,581	141,703	172,790	189,826	207,857	246,883
	120	-	66,208	84,430	106,296	131,878	161,220	177,307	194,338	231,211
	130	-	-	77,136	97,556	121,479	148,950	164,022	179,985	214,565
	140	-	-	-	88,395	110,540	136,012	150,002	164,828	196,971
	150	-	-	-	-	98,782	122,057	134,858	148,436	177,904

Power
Table 9. Power (watts) – voltage 200-60-3

Compr Size CSDHxxx	Cond Temp °F	Evaporator Temp °F								
		-10	0	10	20	30	40	45	50	60
075	80	4,025	4,115	4,200	4,279	4,353	4,421	4,452	4,483	4,539
	90	4,405	4,496	4,580	4,656	4,724	4,785	4,813	4,838	4,884
	100	4,892	4,978	5,057	5,128	5,191	5,247	5,272	5,295	5,336
	110	5,483	5,560	5,631	5,695	5,754	5,806	5,830	5,852	5,893
	120	-	6,243	6,302	6,359	6,412	6,463	6,487	6,511	6,555
	130	-	-	7,071	7,118	7,167	7,217	7,243	7,270	7,324
	140	-	-	-	7,973	8,017	8,069	8,098	8,129	8,198
	150	-	-	-	-	8,963	9,018	9,052	9,090	9,178
089	80	4,513	4,555	4,606	4,665	4,733	4,809	4,851	4,894	4,988
	90	4,995	5,034	5,083	5,141	5,208	5,284	5,325	5,369	5,463
	100	5,609	5,642	5,685	5,737	5,800	5,872	5,912	5,954	6,046
	110	-	6,377	6,411	6,455	6,510	6,575	6,612	6,651	6,737
	120	-	-	7,262	7,294	7,338	7,392	7,423	7,458	7,534
	130	-	-	8,237	8,254	8,283	8,323	8,348	8,375	8,439
	140	-	-	-	9,335	9,346	9,369	9,385	9,404	9,451
	150	-	-	-	-	10,526	10,528	10,534	10,543	10,571
092	80	4,707	4,751	4,804	4,866	4,937	5,016	5,060	5,105	5,203
	90	5,210	5,251	5,302	5,362	5,432	5,511	5,554	5,600	5,699
	100	5,850	5,885	5,930	5,985	6,050	6,125	6,167	6,211	6,307
	110	-	6,652	6,687	6,733	6,790	6,858	6,896	6,937	7,027
	120	-	7,552	7,575	7,608	7,654	7,710	7,743	7,779	7,859
	130	-	-	8,592	8,610	8,640	8,682	8,707	8,736	8,802
	140	-	-	-	9,737	9,748	9,772	9,789	9,809	9,858
	150	-	-	-	-	10,980	10,982	10,988	10,997	11,026
105	80	5,448	5,558	5,649	5,721	5,775	5,809	5,820	5,826	5,823
	90	5,960	6,054	6,143	6,226	6,304	6,376	6,409	6,442	6,502
	100	6,631	6,699	6,775	6,858	6,949	7,047	7,099	7,153	7,266
	110	7,461	7,492	7,544	7,617	7,710	7,824	7,889	7,958	8,113
	120	-	8,434	8,451	8,503	8,588	8,706	8,778	8,859	9,045
	130	-	-	9,495	9,515	9,581	9,694	9,768	9,854	10,060
	140	-	-	-	10,654	10,690	10,787	10,858	10,943	11,159
	150	-	-	-	-	11,916	11,985	12,047	12,128	12,343
110	80	5,649	5,763	5,857	5,932	5,988	6,024	6,035	6,041	6,038
	90	6,180	6,278	6,370	6,456	6,537	6,611	6,646	6,680	6,743
	100	6,876	6,947	7,025	7,112	7,206	7,307	7,361	7,417	7,534
	110	7,737	7,769	7,823	7,898	7,995	8,113	8,180	8,252	8,413
	120	-	8,745	8,763	8,817	8,905	9,028	9,102	9,186	9,379
	130	-	-	9,846	9,866	9,935	10,052	10,129	10,218	10,432
	140	-	-	-	11,047	11,085	11,185	11,259	11,347	11,572
	150	-	-	-	-	12,356	12,428	12,492	12,576	12,799



Performance Data

Table 9. Power (watts) — voltage 200-60-3 (continued)

Compr Size CSDHxxx	Cond Temp °F	Evaporator Temp °F								
		-10	0	10	20	30	40	45	50	60
120	80	5,940	6,052	6,187	6,345	6,527	6,733	6,844	6,962	7,214
	90	6,537	6,647	6,780	6,936	7,115	7,318	7,428	7,544	7,793
	100	7,312	7,413	7,536	7,683	7,852	8,045	8,150	8,261	8,500
	110	8,266	8,350	8,457	8,586	8,739	8,914	9,010	9,112	9,333
	120	-	9,458	9,541	9,646	9,774	9,925	10,009	10,098	10,294
	130	-	-	10,789	10,863	10,959	11,078	11,146	11,219	11,383
	140	-	-	-	12,236	12,293	12,373	12,421	12,475	12,599
	150	-	-	-	-	13,777	13,810	13,834	13,865	13,942
125	80	6,096	6,211	6,350	6,512	6,699	6,910	7,025	7,145	7,404
	90	6,709	6,821	6,958	7,118	7,302	7,511	7,624	7,742	7,998
	100	7,505	7,608	7,734	7,885	8,059	8,257	8,364	8,478	8,723
	110	8,484	8,570	8,679	8,812	8,969	9,149	9,247	9,352	9,579
	120	-	9,707	9,792	9,900	10,032	10,186	10,272	10,364	10,565
	130	-	-	11,073	11,149	11,248	11,369	11,439	11,514	11,682
	140	-	-	-	12,558	12,617	12,698	12,748	12,803	12,930
	150	-	-	-	-	14,139	14,173	14,198	14,229	14,308
136	80	6,820	6,960	7,095	7,224	7,349	7,469	7,527	7,583	7,693
	90	7,472	7,607	7,745	7,885	8,028	8,172	8,246	8,319	8,469
	100	8,316	8,437	8,569	8,710	8,861	9,021	9,105	9,192	9,372
	110	9,352	9,450	9,566	9,698	9,848	10,015	10,105	10,199	10,401
	120	-	10,645	10,736	10,851	10,991	11,155	11,246	11,343	11,557
	130	-	-	12,080	12,168	12,288	12,439	12,527	12,623	12,839
	140	-	-	-	13,648	13,739	13,869	13,949	14,039	14,248
	150	-	-	-	-	15,345	15,445	15,512	15,591	15,784
142	80	7,067	7,212	7,352	7,487	7,616	7,740	7,800	7,859	7,972
	90	7,743	7,883	8,026	8,171	8,319	8,469	8,545	8,621	8,776
	100	8,617	8,743	8,880	9,026	9,182	9,349	9,436	9,525	9,712
	110	9,691	9,793	9,913	10,050	10,206	10,379	10,472	10,570	10,778
	120	-	11,032	11,126	11,245	11,389	11,559	11,654	11,755	11,976
	130	-	-	12,518	12,609	12,733	12,891	12,982	13,081	13,305
	140	-	-	-	14,143	14,238	14,373	14,455	14,548	14,765
	150	-	-	-	15,848	15,902	16,005	16,075	16,156	16,356
155	80	7,631	7,766	7,914	8,074	8,248	8,434	8,532	8,633	8,845
	90	8,410	8,539	8,680	8,835	9,002	9,182	9,277	9,375	9,580
	100	9,416	9,533	9,662	9,804	9,960	10,128	10,217	10,309	10,503
	110	10,648	10,747	10,859	10,983	11,121	11,272	11,352	11,435	11,612
	120	-	12,181	12,270	12,372	12,487	12,614	12,683	12,755	12,908
	130	-	-	13,897	13,970	14,056	14,155	14,209	14,267	14,391
	140	-	-	-	15,777	15,829	15,893	15,931	15,971	16,062
	150	-	-	-	-	17,805	17,830	17,848	17,868	17,919

Table 9. Power (watts) — voltage 200-60-3 (continued)

Compr Size CSDHxxx	Cond Temp °F	Evaporator Temp °F								
		-10	0	10	20	30	40	45	50	60
161	80	7,929	8,070	8,223	8,390	8,571	8,764	8,866	8,971	9,191
	90	8,739	8,873	9,020	9,180	9,354	9,541	9,640	9,742	9,955
	100	9,784	9,906	10,040	10,188	10,349	10,524	10,616	10,712	10,913
	110	11,064	11,167	11,284	11,413	11,556	11,713	11,796	11,883	12,066
	120	-	12,658	12,750	12,856	12,975	13,108	13,179	13,254	13,413
	130	-	-	14,440	14,516	14,606	14,708	14,765	14,825	14,955
	140	-	-	-	16,394	16,448	16,515	16,554	16,596	16,690
	150	-	-	-	-	18,502	18,528	18,546	18,567	18,620
175	80	8,526	8,774	8,991	9,178	9,334	9,458	9,509	9,552	9,615
	90	9,339	9,587	9,817	10,028	10,219	10,392	10,471	10,546	10,680
	100	10,377	10,612	10,840	11,061	11,276	11,483	11,584	11,683	11,876
	110	11,639	11,848	12,061	12,280	12,503	12,731	12,847	12,964	13,202
	120	-	13,295	13,480	13,682	13,901	14,137	14,261	14,389	14,658
	130	-	-	15,097	15,269	15,470	15,700	15,825	15,958	16,245
	140	-	-	-	17,040	17,210	17,420	17,541	17,671	17,963
	150	-	-	-	-	19,121	19,298	19,407	19,528	19,811
183	80	8,835	9,092	9,318	9,511	9,672	9,802	9,854	9,899	9,964
	90	9,677	9,935	10,173	10,391	10,590	10,769	10,851	10,928	11,068
	100	10,753	10,997	11,233	11,463	11,685	11,899	12,004	12,106	12,306
	110	12,061	12,278	12,499	12,725	12,956	13,193	13,313	13,434	13,681
	120	-	13,777	13,969	14,178	14,405	14,649	14,778	14,911	15,190
	130	-	-	15,644	15,823	16,031	16,269	16,399	16,537	16,834
	140	-	-	-	17,658	17,834	18,052	18,177	18,312	18,614
	150	-	-	-	-	19,814	19,998	20,111	20,237	20,529



Performance Data

Table 10. Power (watts) – voltage 230-60-3

Compr Size CSDHxxx	Cond Temp °F	Evaporator Temp °F								
		-10	0	10	20	30	40	45	50	60
075	80	4,025	4,115	4,200	4,279	4,353	4,421	4,452	4,483	4,539
	90	4,405	4,496	4,580	4,656	4,724	4,785	4,813	4,838	4,884
	100	4,892	4,978	5,057	5,128	5,191	5,247	5,272	5,295	5,336
	110	5,483	5,560	5,631	5,695	5,754	5,806	5,830	5,852	5,893
	120	-	6,243	6,302	6,359	6,412	6,463	6,487	6,511	6,555
	130	-	-	7,071	7,118	7,167	7,217	7,243	7,270	7,324
	140	-	-	-	7,973	8,017	8,069	8,098	8,129	8,198
	150	-	-	-	-	8,963	9,018	9,052	9,090	9,178
089	80	4,553	4,596	4,647	4,707	4,775	4,853	4,894	4,938	5,033
	90	5,040	5,080	5,129	5,187	5,255	5,331	5,373	5,417	5,513
	100	5,659	5,693	5,736	5,789	5,852	5,925	5,965	6,008	6,101
	110	-	6,435	6,469	6,514	6,569	6,634	6,671	6,711	6,797
	120	-	7,306	7,327	7,360	7,404	7,459	7,490	7,525	7,602
	130	-	-	8,312	8,329	8,358	8,398	8,423	8,451	8,515
	140	-	-	-	9,420	9,430	9,453	9,469	9,489	9,536
	150	-	-	-	-	10,621	10,623	10,629	10,638	10,666
092	80	4,747	4,791	4,845	4,907	4,978	5,059	5,103	5,148	5,247
	90	5,254	5,296	5,347	5,408	5,478	5,558	5,602	5,648	5,747
	100	5,900	5,935	5,980	6,035	6,101	6,177	6,219	6,264	6,360
	110	-	6,708	6,744	6,791	6,848	6,917	6,955	6,996	7,086
	120	-	7,617	7,639	7,673	7,719	7,776	7,809	7,845	7,925
	130	-	-	8,665	8,683	8,713	8,755	8,781	8,810	8,877
	140	-	-	-	9,820	9,831	9,855	9,872	9,892	9,942
	150	-	-	-	-	11,073	11,075	11,081	11,090	11,119
103	80	5,234	5,279	5,285	5,283	5,302	5,375	5,440	5,530	5,800
	90	5,875	5,936	5,942	5,922	5,907	5,929	5,962	6,017	6,201
	100	6,569	6,662	6,683	6,661	6,628	6,614	6,624	6,650	6,766
	110	7,314	7,455	7,507	7,499	7,463	7,430	7,424	7,429	7,492
	120	-	8,314	8,412	8,435	8,412	8,374	8,360	8,353	8,378
	130	-	-	9,398	9,466	9,472	9,446	9,431	9,420	9,423
	140	-	-	-	10,592	10,642	10,644	10,636	10,628	10,625
	150	-	-	-	-	11,921	11,966	11,974	11,977	11,984
105	80	5,494	5,605	5,697	5,770	5,824	5,859	5,869	5,875	5,872
	90	6,011	6,106	6,195	6,279	6,357	6,430	6,464	6,496	6,558
	100	6,687	6,756	6,833	6,916	7,008	7,107	7,159	7,213	7,327
	110	7,524	7,556	7,608	7,682	7,776	7,890	7,955	8,026	8,182
	120	-	8,505	8,523	8,575	8,660	8,780	8,853	8,934	9,121
	130	-	-	9,576	9,595	9,662	9,776	9,851	9,937	10,145
	140	-	-	-	10,744	10,781	10,878	10,950	11,036	11,254
	150	-	-	-	-	12,017	12,087	12,149	12,230	12,448

Performance Data

Table 10. Power (watts) – voltage 230-60-3 (continued)

Compr Size CSDHxxx	Cond Temp °F	Evaporator Temp °F								
		-10	0	10	20	30	40	45	50	60
110	80	5,692	5,807	5,902	5,978	6,034	6,070	6,081	6,087	6,084
	90	6,227	6,326	6,419	6,506	6,586	6,662	6,697	6,731	6,794
	100	6,929	7,000	7,079	7,166	7,261	7,363	7,417	7,474	7,592
	110	7,796	7,828	7,883	7,959	8,056	8,175	8,242	8,315	8,477
	120	-	8,812	8,830	8,884	8,973	9,097	9,172	9,256	9,450
	130	-	-	9,921	9,942	10,011	10,129	10,206	10,296	10,511
	140	-	-	-	11,132	11,170	11,271	11,345	11,434	11,660
	150	-	-	-	-	12,450	12,523	12,588	12,672	12,897
120	80	5,989	6,102	6,238	6,398	6,582	6,789	6,901	7,020	7,274
	90	6,591	6,702	6,836	6,993	7,174	7,379	7,490	7,607	7,858
	100	7,373	7,474	7,599	7,746	7,917	8,112	8,218	8,329	8,570
	110	8,335	8,419	8,527	8,657	8,811	8,988	9,085	9,188	9,411
	120	-	9,537	9,620	9,726	9,855	10,007	10,092	10,182	10,380
	130	-	-	10,879	10,953	11,050	11,170	11,238	11,312	11,477
	140	-	-	-	12,338	12,395	12,475	12,524	12,578	12,703
	150	-	-	-	-	13,891	13,924	13,949	13,980	14,057
125	80	6,142	6,258	6,398	6,562	6,750	6,963	7,078	7,199	7,460
	90	6,760	6,873	7,011	7,172	7,358	7,568	7,682	7,801	8,059
	100	7,562	7,666	7,793	7,945	8,120	8,320	8,428	8,543	8,790
	110	8,548	8,635	8,745	8,879	9,037	9,218	9,318	9,423	9,652
	120	-	9,781	9,867	9,976	10,108	10,264	10,350	10,443	10,646
	130	-	-	11,158	11,234	11,333	11,456	11,526	11,602	11,771
	140	-	-	-	12,654	12,713	12,795	12,845	12,900	13,028
	150	-	-	-	-	14,247	14,281	14,306	14,338	14,417
136	80	6,876	7,017	7,153	7,284	7,410	7,531	7,589	7,646	7,757
	90	7,534	7,670	7,809	7,950	8,094	8,240	8,314	8,388	8,539
	100	8,385	8,507	8,640	8,782	8,934	9,096	9,181	9,268	9,449
	110	9,429	9,528	9,645	9,779	9,930	10,098	10,189	10,284	10,487
	120	-	10,734	10,825	10,941	11,082	11,247	11,339	11,437	11,652
	130	-	-	12,180	12,269	12,389	12,543	12,631	12,728	12,945
	140	-	-	-	13,761	13,853	13,984	14,065	14,155	14,366
	150	-	-	-	-	15,473	15,573	15,640	15,720	15,914
142	80	7,128	7,274	7,415	7,551	7,681	7,806	7,867	7,926	8,040
	90	7,809	7,951	8,095	8,241	8,390	8,541	8,618	8,695	8,851
	100	8,691	8,818	8,955	9,103	9,261	9,428	9,516	9,607	9,795
	110	9,774	9,877	9,998	10,136	10,293	10,468	10,562	10,660	10,870
	120	-	11,126	11,221	11,341	11,487	11,658	11,754	11,856	12,078
	130	-	-	12,625	12,717	12,842	13,001	13,093	13,193	13,419
	140	-	-	-	14,264	14,359	14,496	14,579	14,673	14,891
	150	-	-	-	15,983	16,038	16,142	16,212	16,295	16,496



Performance Data

Table 10. Power (watts) — voltage 230-60-3 (continued)

Compr Size CSDHxxx	Cond Temp °F	Evaporator Temp °F								
		-10	0	10	20	30	40	45	50	60
155	80	7,694	7,830	7,979	8,141	8,316	8,504	8,603	8,705	8,919
	90	8,480	8,610	8,752	8,908	9,077	9,258	9,354	9,452	9,660
	100	9,494	9,612	9,742	9,886	10,042	10,212	10,301	10,394	10,590
	110	10,736	10,836	10,949	11,075	11,213	11,365	11,446	11,530	11,708
	120	-	12,282	12,372	12,474	12,590	12,719	12,788	12,860	13,015
	130	-	-	14,012	14,085	14,172	14,272	14,327	14,385	14,511
	140	-	-	-	15,908	15,960	16,025	16,063	16,103	16,195
	150	-	-	-	-	17,953	17,978	17,996	18,016	18,068
161	80	7,990	8,132	8,286	8,455	8,636	8,831	8,934	9,040	9,262
	90	8,806	8,941	9,089	9,251	9,426	9,614	9,714	9,816	10,032
	100	9,859	9,982	10,117	10,266	10,429	10,605	10,698	10,794	10,997
	110	11,149	11,253	11,370	11,501	11,645	11,803	11,887	11,974	12,159
	120	-	12,755	12,848	12,955	13,075	13,208	13,280	13,355	13,516
	130	-	-	14,551	14,628	14,718	14,821	14,878	14,938	15,069
	140	-	-	-	16,520	16,574	16,642	16,681	16,723	16,818
	150	-	-	-	-	18,644	18,670	18,688	18,710	18,763
175	80	8,596	8,847	9,066	9,254	9,411	9,537	9,588	9,631	9,695
	90	9,416	9,667	9,898	10,111	10,304	10,478	10,558	10,633	10,769
	100	10,463	10,700	10,930	11,153	11,369	11,578	11,680	11,780	11,974
	110	11,736	11,946	12,161	12,381	12,607	12,837	12,953	13,071	13,311
	120	-	13,405	13,592	13,796	14,016	14,254	14,379	14,508	14,780
	130	-	-	15,222	15,396	15,598	15,830	15,957	16,090	16,380
	140	-	-	-	17,182	17,353	17,565	17,686	17,818	18,112
	150	-	-	-	-	19,279	19,458	19,568	19,690	19,975
183	80	8,908	9,168	9,395	9,590	9,752	9,883	9,936	9,981	10,047
	90	9,758	10,017	10,257	10,477	10,678	10,858	10,941	11,019	11,159
	100	10,842	11,088	11,327	11,558	11,781	11,998	12,103	12,207	12,408
	110	12,161	12,379	12,602	12,831	13,064	13,302	13,423	13,545	13,794
	120	-	13,891	14,085	14,296	14,525	14,771	14,901	15,035	15,316
	130	-	-	15,774	15,954	16,164	16,404	16,535	16,674	16,974
	140	-	-	-	17,805	17,982	18,202	18,328	18,464	18,769
	150	-	-	-	-	19,979	20,164	20,277	20,404	20,700

Table 11. Power (watts) – voltage 400-50-3

Compr Size CSDHxxx	Cond Temp °F	Evaporator Temp °F								
		-10	0	10	20	30	40	45	50	60
075	80	4,223	3,973	3,784	3,655	3,587	3,579	3,598	3,632	3,745
	90	3,698	3,739	3,779	3,818	3,857	3,895	3,914	3,933	3,969
	100	3,593	3,812	3,993	4,134	4,235	4,298	4,315	4,322	4,306
	110	3,907	4,194	4,425	4,601	4,722	4,788	4,800	4,798	4,754
	120	-	4,883	5,076	5,221	5,317	5,364	5,370	5,363	5,314
	130	-	-	5,946	5,993	6,020	6,028	6,025	6,016	5,986
	140	-	-	-	6,917	6,831	6,778	6,764	6,758	6,769
	150	-	-	-	-	7,751	7,616	7,588	7,587	7,664
089	80	3,660	3,759	3,843	3,912	3,966	4,005	4,019	4,029	4,037
	90	4,054	4,149	4,233	4,307	4,371	4,425	4,448	4,468	4,501
	100	4,562	4,647	4,726	4,800	4,868	4,931	4,960	4,988	5,040
	110	-	5,253	5,321	5,389	5,456	5,523	5,556	5,588	5,654
	120	-	5,967	6,019	6,075	6,136	6,200	6,234	6,269	6,342
	130	-	-	6,819	6,859	6,907	6,964	6,996	7,030	7,106
	140	-	-	-	7,739	7,770	7,814	7,841	7,872	7,944
	150	-	-	-	-	8,724	8,750	8,770	8,794	8,857
092	80	3,815	3,918	4,006	4,078	4,134	4,175	4,189	4,199	4,208
	90	4,225	4,324	4,412	4,490	4,556	4,612	4,636	4,657	4,692
	100	4,755	4,843	4,926	5,002	5,074	5,139	5,170	5,199	5,253
	110	5,403	5,475	5,546	5,617	5,687	5,756	5,790	5,825	5,893
	120	-	6,219	6,273	6,332	6,395	6,462	6,498	6,534	6,610
	130	-	-	7,108	7,149	7,199	7,259	7,292	7,328	7,406
	140	-	-	-	8,066	8,098	8,144	8,173	8,205	8,280
	150	-	-	-	-	9,093	9,120	9,140	9,166	9,232
103	80	4,390	4,393	4,382	4,364	4,342	4,321	4,313	4,307	4,303
	90	4,962	4,963	4,950	4,929	4,902	4,876	4,864	4,855	4,843
	100	5,596	5,598	5,584	5,560	5,531	5,500	5,486	5,474	5,456
	110	6,305	6,308	6,295	6,271	6,239	6,206	6,190	6,176	6,153
	120	-	7,105	7,094	7,070	7,039	7,004	6,987	6,972	6,946
	130	-	-	7,992	7,971	7,941	7,906	7,889	7,873	7,844
	140	-	-	-	8,983	8,956	8,923	8,906	8,890	8,861
	150	-	-	-	-	10,095	10,065	10,050	10,034	10,006
105	80	4,430	4,488	4,558	4,639	4,731	4,834	4,890	4,948	5,073
	90	4,886	4,940	5,008	5,089	5,184	5,293	5,353	5,416	5,553
	100	5,465	5,510	5,571	5,649	5,743	5,853	5,915	5,980	6,124
	110	-	6,198	6,248	6,318	6,407	6,514	6,575	6,641	6,786
	120	-	7,004	7,039	7,097	7,175	7,276	7,334	7,398	7,541
	130	-	-	7,944	7,985	8,049	8,138	8,191	8,251	8,388
	140	-	-	-	8,982	9,028	9,101	9,147	9,200	9,327
	150	-	-	-	-	10,112	10,164	10,202	10,246	10,357



Performance Data

Table 11. Power (watts) – voltage 400-50-3 (continued)

Compr Size CSDHxxx	Cond Temp °F	Evaporator Temp °F								
		-10	0	10	20	30	40	45	50	60
110	80	4,593	4,653	4,725	4,809	4,905	5,011	5,069	5,130	5,260
	90	5,065	5,121	5,192	5,276	5,375	5,488	5,550	5,615	5,757
	100	5,665	5,712	5,776	5,856	5,954	6,068	6,132	6,200	6,348
	110	-	6,425	6,478	6,550	6,642	6,754	6,817	6,885	7,036
	120	-	-	7,298	7,357	7,439	7,543	7,603	7,669	7,818
	130	-	-	-	8,278	8,345	8,437	8,492	8,554	8,696
	140	-	-	-	-	9,360	9,435	9,483	9,538	9,669
	150	-	-	-	-	-	10,538	10,576	10,623	10,738
120	80	4,851	4,966	5,069	5,161	5,241	5,310	5,341	5,368	5,414
	90	5,373	5,488	5,594	5,691	5,780	5,859	5,896	5,930	5,992
	100	6,032	6,143	6,248	6,346	6,438	6,524	6,564	6,603	6,676
	110	6,829	6,932	7,030	7,125	7,216	7,303	7,346	7,387	7,466
	120	-	7,853	7,942	8,029	8,114	8,199	8,240	8,281	8,363
	130	-	-	8,982	9,057	9,132	9,209	9,248	9,287	9,366
	140	-	-	-	10,209	10,270	10,335	10,368	10,403	10,475
	150	-	-	-	-	11,528	11,576	11,602	11,630	11,691
125	80	4,980	5,097	5,203	5,297	5,380	5,451	5,482	5,510	5,557
	90	5,515	5,633	5,742	5,842	5,933	6,014	6,052	6,087	6,150
	100	6,191	6,305	6,413	6,514	6,608	6,696	6,737	6,777	6,852
	110	7,009	7,115	7,216	7,314	7,407	7,496	7,540	7,582	7,663
	120	-	8,061	8,152	8,241	8,329	8,415	8,458	8,500	8,583
	130	-	-	9,219	9,296	9,373	9,452	9,492	9,532	9,613
	140	-	-	-	10,478	10,541	10,608	10,642	10,678	10,752
	150	-	-	-	-	11,832	11,882	11,909	11,937	12,000
136	80	5,670	5,780	5,869	5,936	5,981	6,005	6,009	6,007	5,987
	90	6,234	6,348	6,445	6,524	6,587	6,632	6,649	6,661	6,672
	100	6,957	7,068	7,167	7,254	7,328	7,389	7,416	7,439	7,475
	110	7,837	7,941	8,037	8,124	8,204	8,277	8,310	8,341	8,397
	120	-	8,966	9,053	9,136	9,217	9,293	9,331	9,367	9,437
	130	-	-	10,216	10,289	10,364	10,440	10,479	10,518	10,597
	140	-	-	-	11,584	11,647	11,717	11,754	11,793	11,874
	150	-	-	-	-	13,066	13,124	13,156	13,192	13,270
142	80	5,874	5,988	6,080	6,150	6,197	6,221	6,225	6,223	6,203
	90	6,459	6,577	6,677	6,759	6,824	6,871	6,888	6,901	6,912
	100	7,207	7,323	7,426	7,515	7,592	7,656	7,683	7,707	7,745
	110	8,120	8,227	8,326	8,417	8,500	8,575	8,609	8,641	8,700
	120	-	9,289	9,379	9,466	9,549	9,628	9,667	9,705	9,778
	130	-	-	10,584	10,660	10,738	10,817	10,857	10,897	10,979
	140	-	-	-	12,001	12,067	12,139	12,178	12,218	12,302
	150	-	-	-	-	13,537	13,597	13,631	13,667	13,749

Performance Data

Table 11. Power (watts) – voltage 400-50-3 (continued)

Compr Size CSDHxxx	Cond Temp °F	Evaporator Temp °F								
		-10	0	10	20	30	40	45	50	60
155	80	6,354	6,418	6,483	6,548	6,614	6,680	6,714	6,747	6,815
	90	7,078	7,103	7,142	7,194	7,260	7,339	7,384	7,433	7,539
	100	8,036	8,011	8,012	8,040	8,095	8,176	8,227	8,285	8,420
	110	9,228	9,141	9,094	9,086	9,119	9,191	9,242	9,303	9,456
	120	-	10,494	10,387	10,333	10,332	10,384	10,430	10,489	10,647
	130	-	-	11,891	11,780	11,734	11,755	11,790	11,841	11,994
	140	-	-	-	13,427	13,325	13,303	13,322	13,361	13,497
	150	-	-	-	-	15,106	15,030	15,027	15,047	15,156
161	80	6,597	6,664	6,731	6,799	6,867	6,936	6,971	7,006	7,076
	90	7,349	7,375	7,415	7,470	7,538	7,621	7,667	7,717	7,828
	100	8,344	8,317	8,319	8,348	8,405	8,489	8,542	8,602	8,742
	110	9,581	9,491	9,442	9,434	9,468	9,543	9,596	9,660	9,818
	120	-	10,896	10,785	10,729	10,728	10,782	10,829	10,891	11,055
	130	-	-	12,347	12,231	12,184	12,205	12,241	12,295	12,454
	140	-	-	-	13,941	13,836	13,813	13,832	13,873	14,014
	150	-	-	-	-	15,685	15,606	15,603	15,623	15,736
175	80	7,059	7,264	7,447	7,605	7,741	7,853	7,900	7,941	8,006
	90	7,796	7,975	8,148	8,314	8,475	8,629	8,703	8,777	8,918
	100	8,762	8,899	9,047	9,207	9,377	9,558	9,653	9,751	9,954
	110	9,956	10,037	10,146	10,283	10,448	10,642	10,749	10,864	11,114
	120	-	11,388	11,442	11,543	11,688	11,879	11,992	12,116	12,398
	130	-	-	12,938	12,986	13,097	13,271	13,381	13,507	13,806
	140	-	-	-	14,613	14,674	14,816	14,916	15,037	15,338
	150	-	-	-	-	16,421	16,515	16,598	16,706	16,994
183	80	7,315	7,528	7,717	7,881	8,022	8,138	8,186	8,229	8,297
	90	8,079	8,264	8,443	8,616	8,782	8,942	9,019	9,095	9,242
	100	9,080	9,222	9,376	9,541	9,717	9,905	10,003	10,104	10,315
	110	10,317	10,401	10,514	10,656	10,827	11,028	11,139	11,258	11,517
	120	-	11,801	11,857	11,961	12,112	12,310	12,427	12,555	12,848
	130	-	-	13,407	13,457	13,572	13,752	13,866	13,997	14,307
	140	-	-	-	15,143	15,207	15,353	15,457	15,582	15,894
	150	-	-	-	-	17,016	17,114	17,200	17,312	17,610



Performance Data

Table 12. Power (watts) – voltage 460-60-3

Compr Size CSDHxxx	Cond Temp °F	Evaporator Temp °F								
		-10	0	10	20	30	40	45	50	60
075	80	4,025	4,115	4,200	4,279	4,353	4,421	4,452	4,483	4,539
	90	4,405	4,496	4,580	4,656	4,724	4,785	4,813	4,838	4,884
	100	4,892	4,978	5,057	5,128	5,191	5,247	5,272	5,295	5,336
	110	5,483	5,560	5,631	5,695	5,754	5,806	5,830	5,852	5,893
	120	-	6,243	6,302	6,359	6,412	6,463	6,487	6,511	6,555
	130	-	-	7,071	7,118	7,167	7,217	7,243	7,270	7,324
	140	-	-	-	7,973	8,017	8,069	8,098	8,129	8,198
	150	-	-	-	-	8,963	9,018	9,052	9,090	9,178
089	80	4,536	4,579	4,630	4,690	4,758	4,835	4,876	4,920	5,014
	90	5,021	5,061	5,110	5,168	5,235	5,312	5,353	5,397	5,492
	100	5,638	5,672	5,715	5,768	5,831	5,903	5,943	5,986	6,078
	110	-	6,411	6,445	6,490	6,544	6,610	6,647	6,686	6,772
	120	-	7,279	7,300	7,333	7,377	7,431	7,463	7,497	7,574
	130	-	-	8,281	8,298	8,327	8,367	8,392	8,420	8,484
	140	-	-	-	9,385	9,395	9,418	9,434	9,454	9,501
	150	-	-	-	-	10,582	10,584	10,590	10,599	10,626
092	80	4,726	4,770	4,823	4,885	4,956	5,036	5,080	5,125	5,223
	90	5,231	5,272	5,323	5,383	5,453	5,533	5,576	5,622	5,721
	100	5,873	5,908	5,953	6,008	6,074	6,149	6,191	6,235	6,332
	110	-	6,678	6,714	6,760	6,817	6,885	6,924	6,964	7,054
	120	-	7,582	7,605	7,639	7,684	7,741	7,774	7,810	7,890
	130	-	-	8,626	8,644	8,674	8,716	8,742	8,771	8,837
	140	-	-	-	9,776	9,787	9,811	9,828	9,847	9,897
	150	-	-	-	-	11,023	11,025	11,031	11,040	11,069
105	80	5,469	5,580	5,671	5,744	5,797	5,832	5,843	5,849	5,846
	90	5,984	6,078	6,167	6,251	6,329	6,401	6,435	6,467	6,528
	100	6,657	6,726	6,802	6,885	6,976	7,075	7,127	7,181	7,295
	110	7,490	7,522	7,574	7,647	7,741	7,855	7,920	7,990	8,145
	120	-	8,467	8,485	8,536	8,621	8,741	8,813	8,894	9,080
	130	-	-	9,533	9,552	9,619	9,732	9,806	9,893	10,100
	140	-	-	-	10,696	10,733	10,829	10,900	10,986	11,204
	150	-	-	-	-	11,963	12,033	12,095	12,176	12,392
110	80	5,668	5,782	5,877	5,952	6,008	6,044	6,055	6,061	6,058
	90	6,201	6,299	6,392	6,478	6,559	6,633	6,669	6,702	6,765
	100	6,899	6,970	7,049	7,136	7,230	7,332	7,386	7,442	7,560
	110	7,763	7,795	7,849	7,925	8,022	8,140	8,207	8,280	8,441
	120	-	8,775	8,793	8,846	8,935	9,058	9,133	9,217	9,410
	130	-	-	9,879	9,899	9,968	10,086	10,163	10,252	10,467
	140	-	-	-	11,084	11,123	11,223	11,296	11,386	11,611
	150	-	-	-	12,401	12,398	12,470	12,534	12,618	12,842

Performance Data

Table 12. Power (watts) – voltage 460-60-3 (continued)

Compr Size CSDHxxx	Cond Temp °F	Evaporator Temp °F								
		-10	0	10	20	30	40	45	50	60
120	80	5,964	6,076	6,212	6,371	6,554	6,760	6,872	6,990	7,243
	90	6,563	6,673	6,807	6,964	7,144	7,347	7,458	7,574	7,825
	100	7,342	7,442	7,566	7,714	7,884	8,077	8,183	8,294	8,534
	110	8,299	8,383	8,491	8,621	8,774	8,950	9,046	9,149	9,371
	120	-	9,496	9,579	9,685	9,814	9,965	10,049	10,139	10,336
	130	-	-	10,833	10,907	11,003	11,122	11,190	11,264	11,428
	140	-	-	-	12,285	12,343	12,423	12,471	12,525	12,649
	150	-	-	-	-	13,832	13,865	13,890	13,920	13,998
125	80	6,116	6,231	6,370	6,534	6,721	6,933	7,048	7,169	7,428
	90	6,731	6,844	6,981	7,142	7,327	7,535	7,649	7,768	8,025
	100	7,529	7,633	7,760	7,911	8,086	8,284	8,392	8,506	8,752
	110	8,512	8,598	8,708	8,841	8,998	9,179	9,278	9,383	9,610
	120	-	9,739	9,824	9,933	10,065	10,220	10,306	10,398	10,600
	130	-	-	11,110	11,186	11,285	11,407	11,477	11,552	11,721
	140	-	-	-	12,600	12,659	12,740	12,790	12,845	12,973
	150	-	-	-	-	14,186	14,220	14,245	14,276	14,356
136	80	6,847	6,988	7,123	7,253	7,379	7,499	7,557	7,614	7,724
	90	7,502	7,638	7,776	7,917	8,060	8,205	8,279	8,353	8,503
	100	8,349	8,471	8,603	8,745	8,896	9,057	9,142	9,228	9,409
	110	9,389	9,488	9,604	9,737	9,888	10,056	10,146	10,240	10,443
	120	-	10,688	10,779	10,895	11,035	11,200	11,291	11,389	11,603
	130	-	-	12,128	12,216	12,337	12,489	12,578	12,674	12,891
	140	-	-	-	13,703	13,794	13,925	14,005	14,095	14,305
	150	-	-	-	-	15,407	15,507	15,574	15,653	15,847
142	80	7,097	7,243	7,383	7,518	7,648	7,773	7,833	7,892	8,006
	90	7,776	7,917	8,060	8,206	8,354	8,505	8,581	8,658	8,814
	100	8,654	8,781	8,917	9,064	9,221	9,388	9,476	9,566	9,753
	110	9,732	9,835	9,955	10,093	10,249	10,423	10,516	10,615	10,824
	120	-	11,079	11,173	11,293	11,438	11,609	11,704	11,805	12,027
	130	-	-	12,571	12,663	12,788	12,946	13,037	13,137	13,361
	140	-	-	14,150	14,204	14,298	14,434	14,517	14,610	14,828
	150	-	-	-	15,915	15,970	16,073	16,143	16,225	16,426
155	80	7,661	7,797	7,946	8,107	8,281	8,468	8,566	8,668	8,881
	90	8,444	8,573	8,715	8,870	9,038	9,219	9,314	9,412	9,619
	100	9,454	9,571	9,701	9,844	10,000	10,168	10,258	10,350	10,545
	110	10,690	10,790	10,902	11,028	11,166	11,317	11,398	11,481	11,658
	120	-	12,230	12,319	12,422	12,537	12,665	12,734	12,806	12,960
	130	-	-	13,952	14,026	14,112	14,211	14,266	14,324	14,449
	140	-	-	-	15,840	15,892	15,957	15,995	16,035	16,126
	150	-	-	-	-	17,877	17,902	17,919	17,940	17,991



Performance Data

Table 12. Power (watts) — voltage 460-60-3 (continued)

Compr Size CSDHxxx	Cond Temp °F	Evaporator Temp °F								
		-10	0	10	20	30	40	45	50	60
161	80	7,957	8,098	8,252	8,420	8,601	8,795	8,897	9,003	9,224
	90	8,770	8,904	9,052	9,213	9,387	9,575	9,674	9,776	9,990
	100	9,819	9,940	10,075	10,224	10,386	10,561	10,654	10,750	10,952
	110	11,103	11,206	11,323	11,453	11,597	11,754	11,838	11,925	12,109
	120	-	12,702	12,795	12,901	13,021	13,154	13,225	13,300	13,460
	130	-	-	14,491	14,567	14,657	14,760	14,817	14,877	15,007
	140	-	-	-	16,452	16,506	16,573	16,612	16,654	16,749
	150	-	-	-	-	18,567	18,593	18,611	18,633	18,686
175	80	8,609	8,860	9,080	9,268	9,425	9,551	9,603	9,646	9,710
	90	9,430	9,681	9,913	10,126	10,319	10,494	10,574	10,649	10,785
	100	10,478	10,716	10,947	11,170	11,386	11,595	11,697	11,797	11,992
	110	11,753	11,964	12,180	12,400	12,626	12,856	12,973	13,091	13,331
	120	-	13,425	13,612	13,816	14,037	14,275	14,401	14,530	14,802
	130	-	-	15,245	15,419	15,622	15,854	15,981	16,115	16,405
	140	-	-	-	17,208	17,379	17,591	17,713	17,845	18,139
	150	-	-	-	-	19,308	19,488	19,597	19,720	20,005
183	80	8,921	9,181	9,409	9,604	9,767	9,898	9,951	9,996	10,062
	90	9,772	10,032	10,273	10,493	10,694	10,874	10,957	11,035	11,176
	100	10,858	11,105	11,344	11,575	11,799	12,016	12,121	12,225	12,427
	110	12,180	12,398	12,621	12,850	13,083	13,322	13,443	13,566	13,815
	120	-	13,912	14,106	14,318	14,547	14,793	14,923	15,057	15,339
	130	-	-	15,798	15,978	16,188	16,429	16,560	16,699	17,000
	140	-	-	-	17,832	18,009	18,229	18,355	18,492	18,797
	150	-	-	-	-	20,009	20,194	20,308	20,435	20,731

Table 13. Power (watts) – voltage 575-60-3

Compr Size CSDHxxx	Cond Temp °F	Evaporator Temp °F								
		-10	0	10	20	30	40	45	50	60
089	80	4,536	4,579	4,630	4,690	4,758	4,835	4,876	4,920	5,014
	90	5,021	5,061	5,110	5,168	5,235	5,312	5,353	5,397	5,492
	100	5,638	5,672	5,715	5,768	5,831	5,903	5,943	5,986	6,078
	110	-	6,411	6,445	6,490	6,544	6,610	6,647	6,686	6,772
	120	-	7,279	7,300	7,333	7,377	7,431	7,463	7,497	7,574
	130	-	-	8,281	8,298	8,327	8,367	8,392	8,420	8,484
	140	-	-	-	9,385	9,395	9,418	9,434	9,454	9,501
	150	-	-	-	-	10,582	10,584	10,590	10,599	10,626
092	80	4,726	4,770	4,823	4,885	4,956	5,036	5,080	5,125	5,223
	90	5,231	5,272	5,323	5,383	5,453	5,533	5,576	5,622	5,721
	100	5,873	5,908	5,953	6,008	6,074	6,149	6,191	6,235	6,332
	110	-	6,678	6,714	6,760	6,817	6,885	6,924	6,964	7,054
	120	-	7,582	7,605	7,639	7,684	7,741	7,774	7,810	7,890
	130	-	-	8,626	8,644	8,674	8,716	8,742	8,771	8,837
	140	-	-	-	9,776	9,787	9,811	9,828	9,847	9,897
	150	-	-	-	-	11,023	11,025	11,031	11,040	11,069
105	80	5,469	5,580	5,671	5,744	5,797	5,832	5,843	5,849	5,846
	90	5,984	6,078	6,167	6,251	6,329	6,401	6,435	6,467	6,528
	100	6,657	6,726	6,802	6,885	6,976	7,075	7,127	7,181	7,295
	110	7,490	7,522	7,574	7,647	7,741	7,855	7,920	7,990	8,145
	120	-	8,467	8,485	8,536	8,621	8,741	8,813	8,894	9,080
	130	-	-	9,533	9,552	9,619	9,732	9,806	9,893	10,100
	140	-	-	-	10,696	10,733	10,829	10,900	10,986	11,204
	150	-	-	-	-	11,963	12,033	12,095	12,176	12,392
110	80	5,668	5,782	5,877	5,952	6,008	6,044	6,055	6,061	6,058
	90	6,201	6,299	6,392	6,478	6,559	6,633	6,669	6,702	6,765
	100	6,899	6,970	7,049	7,136	7,230	7,332	7,386	7,442	7,560
	110	7,763	7,795	7,849	7,925	8,022	8,140	8,207	8,280	8,441
	120	-	8,775	8,793	8,846	8,935	9,058	9,133	9,217	9,410
	130	-	-	9,879	9,899	9,968	10,086	10,163	10,252	10,467
	140	-	-	-	11,084	11,123	11,223	11,296	11,386	11,611
	150	-	-	-	12,401	12,398	12,470	12,534	12,618	12,842
125	80	6,116	6,231	6,370	6,534	6,721	6,933	7,048	7,169	7,428
	90	6,731	6,844	6,981	7,142	7,327	7,535	7,649	7,768	8,025
	100	7,529	7,633	7,760	7,911	8,086	8,284	8,392	8,506	8,752
	110	8,512	8,598	8,708	8,841	8,998	9,179	9,278	9,383	9,610
	120	-	9,739	9,824	9,933	10,065	10,220	10,306	10,398	10,600
	130	-	-	11,110	11,186	11,285	11,407	11,477	11,552	11,721
	140	-	-	-	12,600	12,659	12,740	12,790	12,845	12,973
	150	-	-	-	-	14,186	14,220	14,245	14,276	14,356



Performance Data

Table 13. Power (watts) — voltage 575-60-3 (continued)

Compr Size CSDHxxx	Cond Temp °F	Evaporator Temp °F								
		-10	0	10	20	30	40	45	50	60
142	80	7,097	7,243	7,383	7,518	7,648	7,773	7,833	7,892	8,006
	90	7,776	7,917	8,060	8,206	8,354	8,505	8,581	8,658	8,814
	100	8,654	8,781	8,917	9,064	9,221	9,388	9,476	9,566	9,753
	110	9,732	9,835	9,955	10,093	10,249	10,423	10,516	10,615	10,824
	120	-	11,079	11,173	11,293	11,438	11,609	11,704	11,805	12,027
	130	-	-	12,571	12,663	12,788	12,946	13,037	13,137	13,361
	140	-	-	14,150	14,204	14,298	14,434	14,517	14,610	14,828
	150	-	-	-	15,915	15,970	16,073	16,143	16,225	16,426
161	80	7,957	8,098	8,252	8,420	8,601	8,795	8,897	9,003	9,224
	90	8,770	8,904	9,052	9,213	9,387	9,575	9,674	9,776	9,990
	100	9,819	9,940	10,075	10,224	10,386	10,561	10,654	10,750	10,952
	110	11,103	11,206	11,323	11,453	11,597	11,754	11,838	11,925	12,109
	120	-	12,702	12,795	12,901	13,021	13,154	13,225	13,300	13,460
	130	-	-	14,491	14,567	14,657	14,760	14,817	14,877	15,007
	140	-	-	-	16,452	16,506	16,573	16,612	16,654	16,749
	150	-	-	-	-	18,567	18,593	18,611	18,633	18,686

Current
Table 14. Current (amps) — voltage 200-60-3

Compr Size CSDHxxx	Cond Temp °F	Evaporator Temp °F								
		-10	0	10	20	30	40	45	50	60
075	80	19.1	19.3	19.5	19.7	19.8	20.0	20.1	20.1	20.3
	90	19.8	20.0	20.2	20.4	20.5	20.7	20.7	20.8	20.9
	100	20.9	21.1	21.3	21.4	21.6	21.7	21.7	21.8	21.9
	110	22.2	22.4	22.6	22.7	22.9	23.0	23.0	23.1	23.2
	120	-	24.0	24.2	24.3	24.5	24.6	24.7	24.7	24.8
	130	-	-	26.1	26.3	26.4	26.5	26.6	26.7	26.8
	140	-	-	-	28.5	28.6	28.8	28.9	28.9	29.1
	150	-	-	-	-	31.2	31.3	31.4	31.5	31.8
089	80	20.3	20.5	20.6	20.7	20.8	20.8	20.8	20.8	20.8
	90	21.2	21.3	21.5	21.6	21.7	21.8	21.9	21.9	22.0
	100	22.5	22.6	22.8	22.9	23.0	23.2	23.2	23.3	23.4
	110	-	24.4	24.5	24.6	24.7	24.9	25.0	25.0	25.2
	120	-	-	26.6	26.7	26.8	26.9	27.0	27.1	27.3
	130	-	-	29.2	29.2	29.3	29.4	29.4	29.5	29.6
	140	-	-	-	32.1	32.1	32.1	32.1	32.2	32.3
	150	-	-	-	-	35.3	35.2	35.2	35.2	35.3
092	80	21.2	21.4	21.5	21.6	21.7	21.7	21.7	21.7	21.7
	90	22.1	22.2	22.4	22.5	22.6	22.8	22.8	22.8	22.9
	100	23.4	23.6	23.7	23.9	24.0	24.2	24.2	24.3	24.4
	110	-	25.4	25.5	25.7	25.8	25.9	26.0	26.1	26.3
	120	-	27.7	27.8	27.9	28.0	28.1	28.2	28.3	28.4
	130	-	-	30.5	30.5	30.5	30.6	30.7	30.7	30.9
	140	-	-	-	33.5	33.5	33.5	33.5	33.5	33.7
	150	-	-	-	-	36.8	36.7	36.7	36.7	36.8
105	80	24.3	24.7	25.0	25.3	25.7	26.0	26.1	26.3	26.6
	90	25.4	25.7	26.1	26.4	26.7	27.0	27.2	27.3	27.6
	100	26.8	27.2	27.5	27.8	28.1	28.5	28.6	28.8	29.0
	110	28.7	29.0	29.4	29.7	30.0	30.3	30.4	30.6	30.9
	120	-	31.2	31.6	31.9	32.2	32.5	32.7	32.8	33.1
	130	-	-	34.2	34.5	34.9	35.2	35.3	35.4	35.7
	140	-	-	-	37.6	37.9	38.2	38.3	38.4	38.7
	150	-	-	-	-	41.3	41.6	41.7	41.9	42.1
110	80	25.2	25.6	25.9	26.2	26.6	26.9	27.1	27.3	27.6
	90	26.3	26.7	27.0	27.3	27.7	28.0	28.2	28.3	28.6
	100	27.8	28.2	28.5	28.9	29.2	29.5	29.6	29.8	30.1
	110	29.7	30.1	30.4	30.8	31.1	31.4	31.5	31.7	32.0
	120	-	32.4	32.7	33.1	33.4	33.7	33.9	34.0	34.3
	130	-	-	35.5	35.8	36.1	36.4	36.6	36.7	37.0
	140	-	-	-	38.9	39.3	39.6	39.7	39.9	40.1
	150	-	-	-	-	42.8	43.1	43.3	43.4	43.7



Performance Data

Table 14. Current (amps) — voltage 200-60-3 (continued)

Compr Size CSDHxxx	Cond Temp °F	Evaporator Temp °F								
		-10	0	10	20	30	40	45	50	60
120	80	23.4	23.7	24.0	24.2	24.5	24.7	24.8	24.9	25.1
	90	24.4	24.8	25.1	25.4	25.7	26.0	26.2	26.3	26.6
	100	26.0	26.3	26.7	27.0	27.4	27.7	27.9	28.1	28.5
	110	28.1	28.4	28.7	29.1	29.4	29.8	30.0	30.2	30.6
	120	-	31.0	31.3	31.6	31.9	32.2	32.4	32.6	33.0
	130	-	-	34.3	34.5	34.8	35.1	35.2	35.4	35.8
	140	-	-	-	37.9	38.0	38.2	38.3	38.5	38.8
	150	-	-	-	-	41.7	41.8	41.8	41.9	42.1
125	80	26.1	26.4	26.7	27.0	27.3	27.5	27.6	27.7	27.9
	90	27.2	27.6	28.0	28.3	28.7	29.0	29.2	29.3	29.7
	100	29.0	29.3	29.7	30.1	30.5	30.9	31.1	31.3	31.7
	110	31.3	31.7	32.0	32.4	32.8	33.2	33.4	33.6	34.1
	120	-	34.6	34.9	35.2	35.6	35.9	36.1	36.4	36.8
	130	-	-	38.2	38.5	38.7	39.1	39.3	39.4	39.9
	140	-	-	-	42.2	42.4	42.6	42.7	42.9	43.2
	150	-	-	-	-	46.5	46.6	46.6	46.7	46.9
136	80	26.3	26.4	26.6	26.8	27.1	27.4	27.6	27.8	28.2
	90	27.5	27.7	28.0	28.3	28.6	29.0	29.2	29.4	29.9
	100	29.3	29.6	29.9	30.2	30.6	31.0	31.2	31.4	31.9
	110	31.6	31.9	32.3	32.6	33.0	33.4	33.7	33.9	34.3
	120	-	34.7	35.1	35.5	35.9	36.3	36.5	36.7	37.1
	130	-	-	38.4	38.8	39.1	39.5	39.7	39.9	40.3
	140	-	-	-	42.5	42.9	43.2	43.4	43.5	43.9
	150	-	-	-	-	47.0	47.3	47.4	47.5	47.8
142	80	29.6	29.7	29.9	30.2	30.5	30.8	31.0	31.3	31.7
	90	31.0	31.2	31.5	31.8	32.2	32.6	32.9	33.1	33.6
	100	33.0	33.3	33.6	34.0	34.4	34.9	35.1	35.4	35.9
	110	35.6	35.9	36.3	36.7	37.2	37.6	37.9	38.1	38.7
	120	-	39.1	39.5	39.9	40.4	40.8	41.1	41.3	41.8
	130	-	-	43.2	43.6	44.1	44.5	44.7	44.9	45.4
	140	-	-	-	47.9	48.2	48.6	48.8	49.0	49.4
	150	-	-	-	52.6	52.9	53.2	53.3	53.5	53.8
155	80	28.5	28.8	29.1	29.5	29.9	30.4	30.7	30.9	31.6
	90	30.2	30.5	30.8	31.2	31.6	32.1	32.3	32.6	33.1
	100	32.5	32.8	33.2	33.5	33.9	34.4	34.6	34.8	35.3
	110	35.5	35.8	36.2	36.5	36.9	37.3	37.5	37.7	38.1
	120	-	39.4	39.8	40.1	40.5	40.8	41.0	41.2	41.5
	130	-	-	44.1	44.4	44.7	45.0	45.1	45.2	45.5
	140	-	-	-	49.2	49.5	49.7	49.8	49.9	50.1
	150	-	-	-	-	54.9	55.1	55.2	55.2	55.3

Table 14. Current (amps) — voltage 200-60-3 (continued)

Compr Size CSDHxxx	Cond Temp °F	Evaporator Temp °F								
		-10	0	10	20	30	40	45	50	60
161	80	32.2	32.5	32.8	33.2	33.7	34.3	34.6	34.9	35.6
	90	34.1	34.4	34.8	35.2	35.7	36.2	36.5	36.8	37.4
	100	36.7	37.0	37.4	37.8	38.3	38.8	39.0	39.3	39.8
	110	40.0	40.4	40.8	41.2	41.6	42.1	42.3	42.5	43.0
	120	-	44.5	44.9	45.3	45.7	46.1	46.2	46.4	46.8
	130	-	-	49.7	50.1	50.4	50.7	50.9	51.0	51.3
	140	-	-	-	55.5	55.8	56.1	56.2	56.3	56.5
	150	-	-	-	-	62.0	62.2	62.2	62.3	62.4
175	80	34.4	34.8	35.2	35.9	36.7	37.7	38.2	38.8	40.1
	90	36.0	36.4	36.8	37.4	38.2	39.0	39.5	40.0	41.1
	100	38.1	38.5	39.0	39.5	40.2	40.9	41.3	41.7	42.7
	110	40.6	41.1	41.6	42.1	42.8	43.4	43.8	44.1	44.9
	120	-	44.2	44.7	45.3	45.9	46.5	46.8	47.1	47.8
	130	-	-	48.4	49.0	49.6	50.2	50.5	50.8	51.3
	140	-	-	-	53.2	53.9	54.5	54.7	55.0	55.4
	150	-	-	-	-	58.7	59.3	59.6	59.8	60.2
183	80	35.7	36.0	36.5	37.2	38.0	39.0	39.6	40.2	41.5
	90	37.3	37.7	38.2	38.8	39.5	40.4	40.9	41.4	42.5
	100	39.5	39.9	40.4	41.0	41.6	42.4	42.8	43.3	44.2
	110	42.1	42.6	43.1	43.7	44.3	45.0	45.4	45.7	46.5
	120	-	45.8	46.3	46.9	47.6	48.2	48.5	48.9	49.5
	130	-	-	50.1	50.8	51.4	52.0	52.3	52.6	53.2
	140	-	-	-	55.2	55.8	56.4	56.7	57.0	57.5
	150	-	-	-	-	60.9	61.5	61.7	62.0	62.4



Performance Data

Table 15. Current (amps) — voltage 230-60-3

Compr Size CSDHxxx	Cond Temp °F	Evaporator Temp °F								
		-10	0	10	20	30	40	45	50	60
075	80	16.6	16.8	17.0	17.1	17.3	17.4	17.5	17.5	17.6
	90	17.3	17.4	17.6	17.7	17.9	18.0	18.0	18.1	18.2
	100	18.2	18.3	18.5	18.6	18.7	18.8	18.9	18.9	19.0
	110	19.3	19.5	19.6	19.8	19.9	20.0	20.0	20.1	20.1
	120	-	20.9	21.0	21.2	21.3	21.4	21.4	21.5	21.6
	130	-	-	22.7	22.8	23.0	23.1	23.1	23.2	23.3
	140	-	-	-	24.8	24.9	25.0	25.1	25.2	25.3
	150	-	-	-	-	27.1	27.2	27.3	27.4	27.6
089	80	17.8	18.0	18.1	18.2	18.2	18.3	18.3	18.3	18.2
	90	18.6	18.7	18.8	19.0	19.1	19.1	19.2	19.2	19.3
	100	19.7	19.8	20.0	20.1	20.2	20.3	20.4	20.4	20.6
	110	-	21.4	21.5	21.6	21.7	21.8	21.9	22.0	22.1
	120	-	23.3	23.4	23.4	23.5	23.6	23.7	23.8	23.9
	130	-	-	25.6	25.6	25.7	25.7	25.8	25.8	26.0
	140	-	-	-	28.2	28.1	28.2	28.2	28.2	28.3
	150	-	-	-	-	31.0	30.9	30.9	30.9	30.9
092	80	18.6	18.7	18.8	18.9	19.0	19.0	19.0	19.0	19.0
	90	19.3	19.5	19.6	19.8	19.9	19.9	20.0	20.0	20.1
	100	20.6	20.7	20.8	20.9	21.1	21.2	21.2	21.3	21.4
	110	-	22.3	22.4	22.5	22.6	22.7	22.8	22.9	23.0
	120	-	24.3	24.4	24.4	24.5	24.6	24.7	24.8	24.9
	130	-	-	26.7	26.7	26.8	26.8	26.9	26.9	27.1
	140	-	-	-	29.4	29.3	29.3	29.4	29.4	29.5
	150	-	-	-	-	32.3	32.2	32.2	32.2	32.2
103	80	20.9	20.9	20.9	20.9	21.0	21.2	21.3	21.5	22.1
	90	22.1	22.2	22.2	22.2	22.1	22.2	22.3	22.4	22.8
	100	23.5	23.6	23.7	23.6	23.6	23.6	23.6	23.7	23.9
	110	25.0	25.3	25.4	25.4	25.3	25.3	25.3	25.3	25.4
	120	-	27.1	27.3	27.4	27.3	27.3	27.3	27.3	27.4
	130	-	-	29.5	29.7	29.7	29.7	29.7	29.7	29.7
	140	-	-	-	32.3	32.4	32.5	32.5	32.5	32.5
	150	-	-	-	-	35.5	35.7	35.7	35.7	35.8
105	80	21.3	21.6	21.9	22.2	22.5	22.8	22.9	23.1	23.3
	90	22.3	22.6	22.8	23.1	23.4	23.7	23.8	24.0	24.2
	100	23.5	23.8	24.1	24.4	24.7	24.9	25.1	25.2	25.5
	110	25.1	25.4	25.7	26.0	26.3	26.6	26.7	26.8	27.0
	120	-	27.4	27.7	28.0	28.3	28.5	28.6	28.8	29.0
	130	-	-	30.0	30.3	30.6	30.8	30.9	31.1	31.3
	140	-	-	-	32.9	33.2	33.5	33.6	33.7	33.9
	150	-	-	-	-	36.2	36.5	36.6	36.7	36.9

Performance Data

Table 15. Current (amps) — voltage 230-60-3 (continued)

Compr Size CSDHxxx	Cond Temp °F	Evaporator Temp °F								
		-10	0	10	20	30	40	45	50	60
110	80	22.1	22.4	22.7	23.0	23.3	23.6	23.8	23.9	24.2
	90	23.1	23.4	23.7	24.0	24.3	24.6	24.7	24.8	25.1
	100	24.4	24.7	25.0	25.3	25.6	25.9	26.0	26.1	26.4
	110	26.1	26.4	26.7	27.0	27.3	27.5	27.7	27.8	28.0
	120	-	28.4	28.7	29.0	29.3	29.6	29.7	29.8	30.0
	130	-	-	31.1	31.4	31.7	31.9	32.1	32.2	32.4
	140	-	-	-	34.1	34.4	34.7	34.8	34.9	35.2
	150	-	-	-	-	37.5	37.8	37.9	38.1	38.3
120	80	22.3	22.6	22.8	23.1	23.3	23.5	23.6	23.7	23.9
	90	23.3	23.6	23.9	24.2	24.5	24.8	24.9	25.1	25.3
	100	24.8	25.1	25.4	25.7	26.1	26.4	26.6	26.8	27.1
	110	26.8	27.1	27.4	27.7	28.0	28.4	28.6	28.8	29.1
	120	-	29.5	29.8	30.1	30.4	30.7	30.9	31.1	31.5
	130	-	-	32.7	32.9	33.1	33.4	33.5	33.7	34.1
	140	-	-	-	36.1	36.2	36.4	36.5	36.6	36.9
	150	-	-	-	-	39.7	39.8	39.8	39.9	40.1
125	80	22.8	23.1	23.4	23.7	23.9	24.1	24.2	24.3	24.5
	90	23.9	24.2	24.5	24.8	25.1	25.4	25.6	25.7	26.0
	100	25.4	25.7	26.1	26.4	26.7	27.1	27.3	27.4	27.8
	110	27.5	27.8	28.1	28.4	28.8	29.1	29.3	29.5	29.9
	120	-	30.3	30.6	30.9	31.2	31.5	31.7	31.9	32.3
	130	-	-	33.5	33.7	34.0	34.3	34.4	34.6	34.9
	140	-	-	-	37.0	37.2	37.4	37.5	37.6	37.9
	150	-	-	-	-	40.7	40.8	40.9	40.9	41.1
136	80	25.0	25.1	25.3	25.5	25.8	26.1	26.3	26.4	26.8
	90	26.2	26.4	26.7	26.9	27.3	27.6	27.8	28.0	28.4
	100	27.9	28.2	28.5	28.8	29.1	29.5	29.7	29.9	30.4
	110	30.1	30.4	30.7	31.1	31.4	31.8	32.0	32.3	32.7
	120	-	33.1	33.4	33.8	34.2	34.5	34.7	35.0	35.4
	130	-	-	36.6	36.9	37.3	37.6	37.8	38.0	38.4
	140	-	-	-	40.5	40.8	41.1	41.3	41.4	41.8
	150	-	-	-	-	44.8	45.0	45.1	45.3	45.5
142	80	25.9	26.0	26.2	26.4	26.7	27.0	27.2	27.4	27.8
	90	27.2	27.4	27.6	27.9	28.2	28.6	28.8	29.0	29.5
	100	28.9	29.2	29.5	29.8	30.2	30.6	30.8	31.0	31.5
	110	31.2	31.5	31.8	32.2	32.6	33.0	33.2	33.4	33.9
	120	-	34.3	34.6	35.0	35.4	35.8	36.0	36.2	36.7
	130	-	-	37.9	38.3	38.6	39.0	39.2	39.4	39.8
	140	-	-	-	42.0	42.3	42.6	42.8	43.0	43.3
	150	-	-	-	46.1	46.4	46.6	46.8	46.9	47.1



Performance Data

Table 15. Current (amps) — voltage 230-60-3 (continued)

Compr Size CSDHxxx	Cond Temp °F	Evaporator Temp °F								
		-10	0	10	20	30	40	45	50	60
155	80	27.2	27.4	27.7	28.1	28.5	28.9	29.2	29.5	30.1
	90	28.8	29.0	29.3	29.7	30.1	30.5	30.8	31.0	31.6
	100	31.0	31.3	31.6	31.9	32.3	32.7	33.0	33.2	33.6
	110	33.8	34.1	34.4	34.8	35.1	35.5	35.7	35.9	36.3
	120	-	37.6	37.9	38.2	38.6	38.9	39.0	39.2	39.5
	130	-	-	42.0	42.3	42.6	42.8	43.0	43.1	43.3
	140	-	-	-	46.9	47.1	47.4	47.5	47.6	47.7
	150	-	-	-	-	52.3	52.5	52.5	52.6	52.7
161	80	28.2	28.5	28.8	29.1	29.6	30.1	30.3	30.6	31.2
	90	29.9	30.2	30.5	30.9	31.3	31.7	32.0	32.2	32.8
	100	32.2	32.5	32.8	33.2	33.6	34.0	34.2	34.5	34.9
	110	35.1	35.4	35.8	36.1	36.5	36.9	37.1	37.3	37.7
	120	-	39.0	39.4	39.7	40.0	40.4	40.6	40.7	41.1
	130	-	-	43.6	43.9	44.2	44.5	44.6	44.8	45.0
	140	-	-	-	48.7	49.0	49.2	49.3	49.4	49.6
	150	-	-	-	-	54.3	54.5	54.6	54.6	54.7
175	80	33.1	33.4	33.8	34.5	35.2	36.2	36.7	37.2	38.5
	90	34.6	34.9	35.4	35.9	36.6	37.4	37.9	38.4	39.4
	100	36.6	36.9	37.4	37.9	38.6	39.3	39.7	40.1	41.0
	110	39.0	39.4	39.9	40.5	41.1	41.7	42.0	42.4	43.1
	120	-	42.4	42.9	43.5	44.1	44.7	45.0	45.3	45.9
	130	-	-	46.5	47.1	47.6	48.2	48.5	48.7	49.3
	140	-	-	-	51.1	51.7	52.3	52.6	52.8	53.2
	150	-	-	-	-	56.4	57.0	57.2	57.5	57.8
183	80	34.3	34.6	35.1	35.7	36.5	37.5	38.0	38.6	39.9
	90	35.9	36.2	36.7	37.3	38.0	38.8	39.3	39.8	40.8
	100	37.9	38.3	38.8	39.3	40.0	40.7	41.1	41.5	42.4
	110	40.4	40.9	41.4	41.9	42.5	43.2	43.6	43.9	44.7
	120	-	43.9	44.5	45.1	45.7	46.3	46.6	46.9	47.5
	130	-	-	48.1	48.8	49.4	50.0	50.2	50.5	51.0
	140	-	-	-	53.0	53.6	54.2	54.5	54.7	55.2
	150	-	-	-	-	58.4	59.0	59.3	59.5	59.9

Performance Data

Table 16. Current (amps) — voltage 400-50-3

Compr Size CSDHxxx	Cond Temp °F	Evaporator Temp °F								
		-10	0	10	20	30	40	45	50	60
075	80	10.0	9.7	9.4	9.2	9.1	9.1	9.1	9.2	9.4
	90	9.1	9.1	9.2	9.2	9.3	9.3	9.4	9.4	9.4
	100	8.7	9.0	9.3	9.5	9.6	9.7	9.7	9.7	9.7
	110	8.9	9.4	9.7	10.0	10.1	10.2	10.2	10.2	10.1
	120	-	10.2	10.5	10.7	10.8	10.9	10.9	10.8	10.7
	130	-	-	11.5	11.6	11.7	11.7	11.6	11.6	11.5
	140	-	-	-	12.8	12.7	12.6	12.6	12.5	12.5
	150	-	-	-	-	13.8	13.6	13.6	13.6	13.7
089	80	8.9	8.9	9.0	9.0	9.1	9.1	9.1	9.1	9.2
	90	9.2	9.3	9.3	9.4	9.5	9.5	9.5	9.6	9.6
	100	9.7	9.8	9.9	9.9	10.0	10.1	10.1	10.1	10.2
	110	-	10.4	10.5	10.6	10.7	10.7	10.8	10.8	10.9
	120	-	11.2	11.3	11.4	11.5	11.5	11.6	11.6	11.7
	130	-	-	12.2	12.3	12.4	12.5	12.5	12.6	12.6
	140	-	-	-	13.4	13.5	13.6	13.6	13.6	13.7
	150	-	-	-	-	14.7	14.8	14.8	14.8	14.9
092	80	9.2	9.3	9.3	9.4	9.4	9.5	9.5	9.5	9.6
	90	9.6	9.7	9.7	9.8	9.9	9.9	9.9	10.0	10.0
	100	10.1	10.2	10.3	10.3	10.4	10.5	10.5	10.5	10.6
	110	10.8	10.9	11.0	11.0	11.1	11.2	11.2	11.3	11.3
	120	-	11.7	11.8	11.9	12.0	12.0	12.1	12.1	12.2
	130	-	-	12.8	12.9	12.9	13.0	13.1	13.1	13.2
	140	-	-	-	14.0	14.1	14.1	14.2	14.2	14.3
	150	-	-	-	-	15.3	15.4	15.4	15.5	15.5
103	80	11.2	11.2	11.2	11.2	11.2	11.2	11.2	11.1	11.1
	90	11.8	11.8	11.8	11.8	11.8	11.7	11.7	11.7	11.7
	100	12.5	12.5	12.5	12.4	12.4	12.4	12.3	12.3	12.3
	110	13.2	13.2	13.2	13.2	13.1	13.1	13.1	13.1	13.0
	120	-	14.1	14.1	14.1	14.0	14.0	14.0	13.9	13.9
	130	-	-	15.1	15.1	15.1	15.0	15.0	15.0	14.9
	140	-	-	-	16.3	16.3	16.3	16.3	16.2	16.2
	150	-	-	-	-	17.8	17.8	17.8	17.7	17.7
105	80	11.0	11.1	11.2	11.3	11.4	11.5	11.5	11.5	11.6
	90	11.4	11.5	11.6	11.7	11.8	11.9	12.0	12.0	12.1
	100	11.9	12.0	12.2	12.3	12.4	12.5	12.6	12.6	12.7
	110	-	12.8	12.9	13.0	13.1	13.2	13.3	13.4	13.5
	120	-	13.7	13.8	13.9	14.0	14.1	14.2	14.3	14.4
	130	-	-	14.9	15.0	15.1	15.2	15.2	15.3	15.4
	140	-	-	-	16.2	16.3	16.3	16.4	16.4	16.6
	150	-	-	-	-	17.6	17.7	17.7	17.7	17.8



Performance Data

Table 16. Current (amps) — voltage 400-50-3 (continued)

Compr Size CSDHxxx	Cond Temp °F	Evaporator Temp °F								
		-10	0	10	20	30	40	45	50	60
110	80	11.4	11.5	11.6	11.7	11.8	11.9	11.9	12.0	12.0
	90	11.8	11.9	12.0	12.1	12.2	12.3	12.4	12.4	12.5
	100	12.4	12.5	12.6	12.7	12.8	13.0	13.0	13.1	13.2
	110	-	13.2	13.4	13.5	13.6	13.7	13.8	13.8	14.0
	120	-	-	14.3	14.4	14.5	14.6	14.7	14.8	14.9
	130	-	-	-	15.5	15.6	15.7	15.8	15.8	16.0
	140	-	-	-	-	16.8	16.9	17.0	17.0	17.1
	150	-	-	-	-	-	18.3	18.3	18.4	18.5
120	80	11.7	11.8	11.8	11.9	12.0	12.0	12.1	12.1	12.1
	90	12.2	12.3	12.3	12.4	12.5	12.6	12.6	12.6	12.7
	100	12.9	12.9	13.0	13.1	13.2	13.3	13.3	13.4	13.4
	110	13.7	13.8	13.9	14.0	14.1	14.2	14.2	14.3	14.3
	120	-	14.8	14.9	15.1	15.1	15.2	15.3	15.3	15.4
	130	-	-	16.2	16.3	16.4	16.5	16.5	16.6	16.7
	140	-	-	-	17.7	17.8	17.9	18.0	18.0	18.1
	150	-	-	-	-	19.4	19.5	19.6	19.6	19.7
125	80	12.0	12.1	12.1	12.2	12.3	12.3	12.4	12.4	12.5
	90	12.5	12.6	12.7	12.7	12.8	12.9	12.9	13.0	13.0
	100	13.2	13.3	13.4	13.5	13.6	13.6	13.7	13.7	13.8
	110	14.1	14.2	14.3	14.4	14.5	14.6	14.6	14.6	14.7
	120	-	15.2	15.3	15.5	15.6	15.7	15.7	15.7	15.8
	130	-	-	16.6	16.7	16.8	16.9	17.0	17.0	17.1
	140	-	-	-	18.2	18.3	18.4	18.4	18.5	18.6
	150	-	-	-	-	19.9	20.0	20.1	20.1	20.2
136	80	12.9	12.9	13.0	13.0	13.1	13.2	13.3	13.3	13.4
	90	13.4	13.5	13.6	13.7	13.8	13.8	13.9	13.9	14.1
	100	14.2	14.3	14.4	14.5	14.6	14.7	14.8	14.8	14.9
	110	15.1	15.3	15.4	15.6	15.7	15.8	15.8	15.8	15.9
	120	-	16.5	16.7	16.8	16.9	17.0	17.1	17.1	17.2
	130	-	-	18.1	18.3	18.4	18.5	18.5	18.6	18.6
	140	-	-	-	19.9	20.1	20.2	20.2	20.2	20.3
	150	-	-	-	-	21.9	22.1	22.1	22.1	22.1
142	80	13.3	13.4	13.4	13.5	13.6	13.7	13.7	13.8	13.9
	90	13.9	14.0	14.1	14.2	14.3	14.4	14.4	14.5	14.6
	100	14.7	14.8	14.9	15.0	15.1	15.2	15.3	15.3	15.4
	110	15.7	15.8	16.0	16.1	16.2	16.3	16.4	16.4	16.5
	120	-	17.1	17.3	17.4	17.5	17.6	17.7	17.7	17.8
	130	-	-	18.7	18.9	19.1	19.2	19.2	19.2	19.3
	140	-	-	-	20.6	20.8	20.9	20.9	21.0	21.0
	150	-	-	-	-	22.7	22.9	22.9	22.9	22.9

Performance Data

Table 16. Current (amps) — voltage 400-50-3 (continued)

Compr Size CSHDxxx	Cond Temp °F	Evaporator Temp °F								
		-10	0	10	20	30	40	45	50	60
155	80	13.5	13.5	13.6	13.6	13.7	13.8	13.9	13.9	14.1
	90	14.2	14.3	14.3	14.3	14.4	14.5	14.5	14.6	14.7
	100	15.3	15.3	15.3	15.3	15.4	15.5	15.5	15.5	15.7
	110	16.6	16.6	16.6	16.6	16.6	16.7	16.7	16.8	16.9
	120	-	18.2	18.2	18.2	18.2	18.2	18.3	18.3	18.3
	130	-	-	20.1	20.1	20.1	20.0	20.1	20.1	20.1
	140	-	-	-	22.2	22.2	22.1	22.1	22.1	22.1
	150	-	-	-	-	24.6	24.5	24.5	24.5	24.4
161	80	14.1	14.1	14.1	14.2	14.2	14.3	14.4	14.5	14.6
	90	14.8	14.8	14.8	14.9	15.0	15.0	15.1	15.2	15.3
	100	15.9	15.9	15.9	15.9	16.0	16.0	16.1	16.1	16.3
	110	17.2	17.2	17.2	17.2	17.3	17.3	17.4	17.4	17.5
	120	-	18.9	18.9	18.9	18.9	18.9	19.0	19.0	19.0
	130	-	-	20.9	20.8	20.8	20.8	20.8	20.8	20.9
	140	-	-	-	23.1	23.0	23.0	23.0	23.0	22.9
	150	-	-	-	-	25.6	25.5	25.4	25.4	25.3
175	80	16.5	16.7	17.0	17.2	17.5	17.8	18.0	18.2	18.5
	90	17.2	17.4	17.7	17.9	18.2	18.5	18.6	18.7	19.0
	100	18.2	18.4	18.6	18.9	19.1	19.4	19.5	19.6	19.9
	110	19.4	19.6	19.9	20.1	20.3	20.5	20.7	20.8	21.0
	120	-	21.1	21.3	21.6	21.8	22.0	22.1	22.2	22.4
	130	-	-	23.1	23.3	23.6	23.8	23.9	24.0	24.2
	140	-	-	-	25.4	25.6	25.8	25.9	26.0	26.2
	150	-	-	-	-	27.9	28.1	28.2	28.3	28.5
183	80	17.1	17.3	17.6	17.9	18.2	18.5	18.6	18.8	19.2
	90	17.8	18.1	18.3	18.6	18.8	19.1	19.3	19.4	19.7
	100	18.8	19.1	19.3	19.5	19.8	20.1	20.2	20.3	20.6
	110	20.1	20.3	20.6	20.8	21.0	21.3	21.4	21.5	21.8
	120	-	21.9	22.1	22.4	22.6	22.8	22.9	23.0	23.2
	130	-	-	23.9	24.2	24.4	24.6	24.7	24.8	25.0
	140	-	-	-	26.3	26.5	26.8	26.9	26.9	27.1
	150	-	-	-	-	28.9	29.2	29.3	29.4	29.5



Performance Data

Table 17. Current (amps) — voltage 460-60-3

Compr Size CSHDxxx	Cond Temp °F	Evaporator Temp °F								
		-10	0	10	20	30	40	45	50	60
075	80	8.3	8.4	8.5	8.6	8.6	8.7	8.7	8.8	8.8
	90	8.6	8.7	8.8	8.9	8.9	9.0	9.0	9.0	9.1
	100	9.1	9.2	9.2	9.3	9.4	9.4	9.4	9.5	9.5
	110	9.7	9.7	9.8	9.9	9.9	10.0	10.0	10.0	10.1
	120	-	10.5	10.5	10.6	10.6	10.7	10.7	10.7	10.8
	130	-	-	11.4	11.4	11.5	11.5	11.6	11.6	11.6
	140	-	-	-	12.4	12.4	12.5	12.5	12.6	12.7
	150	-	-	-	-	13.5	13.6	13.7	13.7	13.8
089	80	8.9	9.0	9.1	9.1	9.1	9.2	9.2	9.2	9.1
	90	9.3	9.4	9.5	9.5	9.6	9.6	9.6	9.6	9.7
	100	9.9	10.0	10.0	10.1	10.1	10.2	10.2	10.3	10.3
	110	-	10.7	10.8	10.8	10.9	11.0	11.0	11.0	11.1
	120	-	11.7	11.7	11.8	11.8	11.9	11.9	11.9	12.0
	130	-	-	12.9	12.9	12.9	12.9	12.9	13.0	13.0
	140	-	-	-	14.1	14.1	14.1	14.1	14.2	14.2
	150	-	-	-	-	15.5	15.5	15.5	15.5	15.5
092	80	9.3	9.4	9.5	9.5	9.5	9.5	9.6	9.5	9.5
	90	9.7	9.8	9.9	9.9	10.0	10.0	10.0	10.0	10.1
	100	10.3	10.4	10.4	10.5	10.6	10.6	10.7	10.7	10.8
	110	-	11.2	11.2	11.3	11.3	11.4	11.5	11.5	11.6
	120	-	12.2	12.2	12.3	12.3	12.4	12.4	12.4	12.5
	130	-	-	13.4	13.4	13.4	13.5	13.5	13.5	13.6
	140	-	-	-	14.7	14.7	14.7	14.7	14.8	14.8
	150	-	-	-	-	16.2	16.2	16.1	16.1	16.2
105	80	10.4	10.5	10.7	10.8	10.9	11.1	11.2	11.2	11.4
	90	10.8	11.0	11.1	11.3	11.4	11.5	11.6	11.7	11.8
	100	11.5	11.6	11.7	11.9	12.0	12.1	12.2	12.3	12.4
	110	12.2	12.4	12.5	12.7	12.8	12.9	13.0	13.0	13.2
	120	-	13.3	13.5	13.6	13.8	13.9	13.9	14.0	14.1
	130	-	-	14.6	14.7	14.9	15.0	15.1	15.1	15.2
	140	-	-	-	16.0	16.2	16.3	16.4	16.4	16.5
	150	-	-	-	-	17.6	17.8	17.8	17.9	18.0
110	80	10.8	10.9	11.1	11.2	11.3	11.5	11.6	11.6	11.8
	90	11.2	11.4	11.5	11.7	11.8	12.0	12.0	12.1	12.2
	100	11.9	12.0	12.2	12.3	12.5	12.6	12.7	12.7	12.8
	110	12.7	12.8	13.0	13.1	13.3	13.4	13.5	13.5	13.6
	120	-	13.8	14.0	14.1	14.3	14.4	14.4	14.5	14.6
	130	-	-	15.1	15.3	15.4	15.5	15.6	15.7	15.8
	140	-	-	-	16.6	16.8	16.9	16.9	17.0	17.1
	150	-	-	-	18.1	18.3	18.4	18.5	18.5	18.6

Performance Data

Table 17. Current (amps) — voltage 460-60-3 (continued)

Compr Size CSDHxxx	Cond Temp °F	Evaporator Temp °F								
		-10	0	10	20	30	40	45	50	60
120	80	11.2	11.3	11.4	11.6	11.7	11.8	11.8	11.9	12.0
	90	11.6	11.8	12.0	12.1	12.3	12.4	12.5	12.6	12.7
	100	12.4	12.6	12.7	12.9	13.1	13.2	13.3	13.4	13.6
	110	13.4	13.6	13.7	13.9	14.0	14.2	14.3	14.4	14.6
	120	-	14.8	14.9	15.1	15.2	15.4	15.5	15.6	15.8
	130	-	-	16.4	16.5	16.6	16.7	16.8	16.9	17.1
	140	-	-	-	18.1	18.1	18.2	18.3	18.4	18.5
	150	-	-	-	-	19.9	19.9	20.0	20.0	20.1
125	80	11.4	11.6	11.7	11.9	12.0	12.1	12.1	12.2	12.3
	90	11.9	12.1	12.3	12.4	12.6	12.7	12.8	12.9	13.0
	100	12.7	12.9	13.1	13.2	13.4	13.6	13.7	13.7	13.9
	110	13.8	13.9	14.1	14.2	14.4	14.6	14.7	14.8	15.0
	120	-	15.2	15.3	15.4	15.6	15.8	15.9	16.0	16.2
	130	-	-	16.8	16.9	17.0	17.2	17.2	17.3	17.5
	140	-	-	-	18.5	18.6	18.7	18.8	18.8	19.0
	150	-	-	-	-	20.4	20.4	20.5	20.5	20.6
136	80	12.4	12.4	12.5	12.6	12.7	12.9	13.0	13.1	13.3
	90	12.9	13.0	13.2	13.3	13.5	13.6	13.7	13.8	14.1
	100	13.8	13.9	14.1	14.2	14.4	14.6	14.7	14.8	15.0
	110	14.9	15.0	15.2	15.3	15.5	15.7	15.8	15.9	16.2
	120	-	16.3	16.5	16.7	16.9	17.1	17.2	17.3	17.5
	130	-	-	18.1	18.2	18.4	18.6	18.7	18.8	19.0
	140	-	-	-	20.0	20.2	20.3	20.4	20.5	20.6
	150	-	-	-	-	22.1	22.2	22.3	22.4	22.5
142	80	12.8	12.9	13.0	13.1	13.2	13.4	13.4	13.5	13.7
	90	13.4	13.5	13.6	13.8	14.0	14.1	14.2	14.3	14.6
	100	14.3	14.4	14.6	14.7	14.9	15.1	15.2	15.3	15.6
	110	15.4	15.6	15.7	15.9	16.1	16.3	16.4	16.5	16.7
	120	-	16.9	17.1	17.3	17.5	17.7	17.8	17.9	18.1
	130	-	-	18.7	18.9	19.1	19.3	19.4	19.5	19.7
	140	-	-	20.6	20.7	20.9	21.1	21.1	21.2	21.4
	150	-	-	-	22.8	22.9	23.0	23.1	23.2	23.3
155	80	13.0	13.1	13.2	13.4	13.6	13.8	13.9	14.1	14.3
	90	13.7	13.9	14.0	14.2	14.4	14.6	14.7	14.8	15.1
	100	14.8	14.9	15.1	15.2	15.4	15.6	15.7	15.8	16.1
	110	16.1	16.3	16.4	16.6	16.8	16.9	17.0	17.1	17.3
	120	-	17.9	18.1	18.2	18.4	18.6	18.6	18.7	18.9
	130	-	-	20.0	20.2	20.3	20.4	20.5	20.6	20.7
	140	-	-	-	22.4	22.5	22.6	22.6	22.7	22.8
	150	-	-	-	-	25.0	25.0	25.1	25.1	25.1



Performance Data

Table 17. Current (amps) — voltage 460-60-3 (continued)

Compr Size CSDHxxx	Cond Temp °F	Evaporator Temp °F								
		-10	0	10	20	30	40	45	50	60
161	80	13.5	13.6	13.7	13.9	14.1	14.3	14.5	14.6	14.9
	90	14.2	14.4	14.5	14.7	14.9	15.1	15.3	15.4	15.6
	100	15.3	15.5	15.7	15.8	16.0	16.2	16.3	16.4	16.7
	110	16.7	16.9	17.1	17.2	17.4	17.6	17.7	17.8	18.0
	120	-	18.6	18.8	18.9	19.1	19.3	19.3	19.4	19.6
	130	-	-	20.8	20.9	21.1	21.2	21.3	21.4	21.5
	140	-	-	-	23.2	23.4	23.5	23.5	23.6	23.6
	150	-	-	-	-	25.9	26.0	26.0	26.1	26.1
175	80	16.6	16.7	16.9	17.3	17.6	18.1	18.4	18.7	19.3
	90	17.3	17.5	17.7	18.0	18.3	18.8	19.0	19.2	19.7
	100	18.3	18.5	18.7	19.0	19.3	19.7	19.9	20.1	20.5
	110	19.5	19.7	20.0	20.3	20.6	20.9	21.0	21.2	21.6
	120	-	21.2	21.5	21.8	22.1	22.4	22.5	22.7	23.0
	130	-	-	23.3	23.6	23.9	24.1	24.3	24.4	24.7
	140	-	-	-	25.6	25.9	26.2	26.3	26.4	26.7
	150	-	-	-	-	28.2	28.5	28.7	28.8	29.0
183	80	17.2	17.3	17.6	17.9	18.3	18.8	19.0	19.3	20.0
	90	18.0	18.1	18.4	18.7	19.0	19.4	19.7	19.9	20.5
	100	19.0	19.2	19.4	19.7	20.0	20.4	20.6	20.8	21.3
	110	20.2	20.5	20.7	21.0	21.3	21.6	21.8	22.0	22.4
	120	-	22.0	22.3	22.6	22.9	23.2	23.3	23.5	23.8
	130	-	-	24.1	24.4	24.7	25.0	25.2	25.3	25.6
	140	-	-	-	26.5	26.9	27.1	27.3	27.4	27.6
	150	-	-	-	-	29.3	29.6	29.7	29.8	30.0

Performance Data

Table 18. Current (amps) — voltage 575-60-3

Compr Size CSDHxxx	Cond Temp °F	Evaporator Temp °F								
		-10	0	10	20	30	40	45	50	60
089	80	7.2	7.2	7.3	7.3	7.3	7.3	7.3	7.3	7.3
	90	7.5	7.5	7.6	7.6	7.6	7.7	7.7	7.7	7.7
	100	7.9	8.0	8.0	8.1	8.1	8.2	8.2	8.2	8.3
	110	-	8.6	8.6	8.7	8.7	8.8	8.8	8.8	8.9
	120	-	9.4	9.4	9.4	9.4	9.5	9.5	9.5	9.6
	130	-	-	10.3	10.3	10.3	10.3	10.4	10.4	10.4
	140	-	-	-	11.3	11.3	11.3	11.3	11.3	11.4
	150	-	-	-	-	12.4	12.4	12.4	12.4	12.4
092	80	7.5	7.5	7.6	7.6	7.6	7.6	7.6	7.6	7.6
	90	7.8	7.8	7.9	7.9	8.0	8.0	8.0	8.0	8.1
	100	8.3	8.3	8.4	8.4	8.5	8.5	8.5	8.6	8.6
	110	-	8.9	9.0	9.0	9.1	9.1	9.2	9.2	9.3
	120	-	9.8	9.8	9.8	9.8	9.9	9.9	9.9	10.0
	130	-	-	10.7	10.7	10.7	10.8	10.8	10.8	10.9
	140	-	-	-	11.8	11.8	11.8	11.8	11.8	11.9
	150	-	-	-	-	13.0	12.9	12.9	12.9	12.9
105	80	8.3	8.4	8.5	8.6	8.8	8.9	8.9	9.0	9.1
	90	8.7	8.8	8.9	9.0	9.1	9.2	9.3	9.3	9.4
	100	9.2	9.3	9.4	9.5	9.6	9.7	9.8	9.8	9.9
	110	9.8	9.9	10.0	10.1	10.2	10.3	10.4	10.4	10.5
	120	-	10.7	10.8	10.9	11.0	11.1	11.2	11.2	11.3
	130	-	-	11.7	11.8	11.9	12.0	12.0	12.1	12.2
	140	-	-	-	12.8	12.9	13.0	13.1	13.1	13.2
	150	-	-	-	-	14.1	14.2	14.3	14.3	14.4
110	80	8.6	8.7	8.8	9.0	9.1	9.2	9.2	9.3	9.4
	90	9.0	9.1	9.2	9.3	9.4	9.6	9.6	9.7	9.8
	100	9.5	9.6	9.7	9.8	10.0	10.1	10.1	10.2	10.3
	110	10.1	10.3	10.4	10.5	10.6	10.7	10.8	10.8	10.9
	120	-	11.1	11.2	11.3	11.4	11.5	11.6	11.6	11.7
	130	-	-	12.1	12.2	12.3	12.4	12.5	12.5	12.6
	140	-	-	-	13.3	13.4	13.5	13.6	13.6	13.7
	150	-	-	-	14.5	14.6	14.7	14.8	14.8	14.9
125	80	9.2	9.3	9.4	9.5	9.6	9.7	9.7	9.7	9.8
	90	9.6	9.7	9.8	9.9	10.1	10.2	10.2	10.3	10.4
	100	10.2	10.3	10.4	10.6	10.7	10.9	10.9	11.0	11.1
	110	11.0	11.1	11.2	11.4	11.5	11.7	11.7	11.8	12.0
	120	-	12.1	12.2	12.4	12.5	12.6	12.7	12.8	12.9
	130	-	-	13.4	13.5	13.6	13.7	13.8	13.9	14.0
	140	-	-	-	14.8	14.9	15.0	15.0	15.1	15.2
	150	-	-	-	-	16.3	16.3	16.4	16.4	16.5



Performance Data

Table 18. Current (amps) — voltage 575-60-3 (continued)

Compr Size CSDHxxx	Cond Temp °F	Evaporator Temp °F								
		-10	0	10	20	30	40	45	50	60
142	80	10.2	10.3	10.4	10.4	10.6	10.7	10.8	10.8	11.0
	90	10.7	10.8	10.9	11.0	11.2	11.3	11.4	11.5	11.6
	100	11.4	11.5	11.7	11.8	11.9	12.1	12.2	12.3	12.4
	110	12.3	12.4	12.6	12.7	12.9	13.0	13.1	13.2	13.4
	120	-	13.5	13.7	13.8	14.0	14.1	14.2	14.3	14.5
	130	-	-	15.0	15.1	15.3	15.4	15.5	15.6	15.7
	140	-	-	16.5	16.6	16.7	16.8	16.9	17.0	17.1
	150	-	-	-	18.2	18.3	18.4	18.5	18.5	18.6
161	80	10.8	10.9	11.0	11.1	11.3	11.5	11.6	11.7	11.9
	90	11.4	11.5	11.6	11.8	11.9	12.1	12.2	12.3	12.5
	100	12.3	12.4	12.5	12.7	12.8	13.0	13.1	13.2	13.3
	110	13.4	13.5	13.7	13.8	13.9	14.1	14.2	14.2	14.4
	120	-	14.9	15.0	15.2	15.3	15.4	15.5	15.5	15.7
	130	-	-	16.6	16.8	16.9	17.0	17.0	17.1	17.2
	140	-	-	-	18.6	18.7	18.8	18.8	18.9	18.9
	150	-	-	-	-	20.7	20.8	20.8	20.9	20.9

Refrigerant Flow

Table 19. Refrigerant flow (lb/hr) — voltage 200-60-3

Compr Size CSDHxxx	Cond Temp °F	Evaporator Temp °F								
		-10	0	10	20	30	40	45	50	60
075	80	365	455	566	700	854	1,031	1,127	1,229	1,448
	90	356	448	561	694	849	1,025	1,121	1,222	1,440
	100	350	442	554	688	843	1,018	1,114	1,214	1,431
	110	346	436	548	681	835	1,009	1,105	1,205	1,421
	120	-	432	542	673	825	999	1,094	1,194	1,410
	130	-	-	535	663	814	987	1,081	1,182	1,399
	140	-	-	-	652	801	973	1,067	1,168	1,386
	150	-	-	-	-	786	957	1,051	1,152	1,373
089	80	407	515	649	807	990	1,199	1,312	1,432	1,690
	90	399	510	645	806	991	1,201	1,316	1,436	1,696
	100	390	502	639	801	988	1,199	1,314	1,436	1,697
	110	-	492	630	793	980	1,193	1,308	1,430	1,691
	120	-	-	618	781	969	1,181	1,297	1,418	1,680
	130	-	-	603	766	953	1,165	1,280	1,401	1,662
	140	-	-	-	747	933	1,144	1,258	1,379	1,639
	150	-	-	-	-	909	1,118	1,231	1,351	1,609
092	80	431	545	686	854	1,048	1,268	1,389	1,515	1,788
	90	423	539	683	853	1,049	1,271	1,392	1,520	1,795
	100	413	531	676	848	1,045	1,269	1,391	1,519	1,795
	110	-	521	667	839	1,037	1,262	1,384	1,513	1,790
	120	-	508	654	827	1,025	1,250	1,372	1,501	1,777
	130	-	-	638	810	1,009	1,233	1,355	1,483	1,759
	140	-	-	-	790	987	1,210	1,332	1,459	1,734
	150	-	-	-	-	962	1,183	1,303	1,430	1,702
105	80	505	627	777	955	1,161	1,396	1,523	1,658	1,949
	90	501	625	777	958	1,167	1,404	1,534	1,670	1,963
	100	494	620	775	957	1,169	1,408	1,538	1,676	1,972
	110	485	613	768	953	1,165	1,407	1,538	1,676	1,974
	120	-	602	759	944	1,158	1,400	1,531	1,670	1,969
	130	-	-	746	931	1,145	1,388	1,519	1,659	1,958
	140	-	-	-	914	1,128	1,370	1,502	1,641	1,940
	150	-	-	-	-	1,105	1,347	1,478	1,617	1,915
110	80	537	666	826	1,015	1,234	1,483	1,619	1,762	2,070
	90	532	664	826	1,018	1,240	1,492	1,629	1,774	2,086
	100	525	659	823	1,017	1,242	1,496	1,635	1,781	2,095
	110	516	651	816	1,012	1,238	1,494	1,634	1,781	2,097
	120	-	640	806	1,003	1,230	1,487	1,627	1,775	2,092
	130	-	-	793	989	1,217	1,474	1,614	1,762	2,080
	140	-	-	-	971	1,198	1,456	1,596	1,743	2,061
	150	-	-	-	-	1,175	1,431	1,571	1,718	2,035



Performance Data

Table 19. Refrigerant flow (lb/hr) — voltage 200-60-3 (continued)

Compr Size CSDHxxx	Cond Temp °F	Evaporator Temp °F								
		-10	0	10	20	30	40	45	50	60
120	80	576	722	903	1,118	1,367	1,651	1,806	1,969	2,320
	90	572	720	903	1,119	1,369	1,653	1,808	1,970	2,321
	100	562	713	898	1,115	1,366	1,650	1,804	1,967	2,316
	110	547	701	887	1,106	1,357	1,641	1,795	1,958	2,306
	120	-	682	870	1,091	1,343	1,627	1,781	1,943	2,290
	130	-	-	848	1,070	1,323	1,608	1,762	1,923	2,270
	140	-	-	-	1,044	1,298	1,583	1,737	1,898	2,243
	150	-	-	-	-	1,267	1,552	1,706	1,867	2,212
125	80	594	745	931	1,153	1,410	1,702	1,862	2,030	2,392
	90	590	743	931	1,154	1,412	1,705	1,864	2,032	2,393
	100	580	736	926	1,150	1,409	1,701	1,861	2,028	2,388
	110	564	722	914	1,140	1,400	1,693	1,851	2,019	2,378
	120	-	704	898	1,125	1,385	1,678	1,837	2,004	2,362
	130	-	-	875	1,104	1,365	1,658	1,817	1,983	2,341
	140	-	-	-	1,077	1,339	1,632	1,791	1,957	2,314
	150	-	-	-	-	1,307	1,601	1,759	1,926	2,281
136	80	677	834	1,028	1,260	1,530	1,837	2,004	2,181	2,562
	90	670	830	1,028	1,263	1,536	1,845	2,014	2,192	2,574
	100	662	824	1,024	1,261	1,536	1,847	2,017	2,195	2,580
	110	653	816	1,016	1,255	1,530	1,842	2,012	2,191	2,577
	120	-	804	1,005	1,243	1,518	1,831	2,001	2,180	2,567
	130	-	-	989	1,226	1,501	1,813	1,983	2,162	2,549
	140	-	-	-	1,204	1,477	1,788	1,958	2,137	2,523
	150	-	-	-	-	1,448	1,757	1,926	2,104	2,490
142	80	705	869	1,072	1,314	1,595	1,914	2,088	2,271	2,667
	90	698	865	1,071	1,316	1,599	1,922	2,097	2,282	2,681
	100	690	859	1,067	1,313	1,599	1,923	2,100	2,286	2,688
	110	680	850	1,058	1,306	1,593	1,918	2,095	2,282	2,686
	120	-	838	1,046	1,294	1,581	1,907	2,084	2,271	2,675
	130	-	-	1,030	1,277	1,563	1,888	2,065	2,252	2,656
	140	-	-	-	1,255	1,539	1,863	2,039	2,226	2,628
	150	-	-	-	1,228	1,509	1,831	2,006	2,191	2,591
155	80	788	973	1,201	1,473	1,789	2,148	2,343	2,550	2,994
	90	777	965	1,197	1,472	1,790	2,151	2,348	2,555	3,001
	100	763	954	1,188	1,465	1,784	2,147	2,344	2,551	2,998
	110	746	938	1,173	1,451	1,771	2,134	2,331	2,539	2,986
	120	-	919	1,153	1,431	1,751	2,114	2,311	2,518	2,965
	130	-	-	1,128	1,404	1,723	2,085	2,282	2,489	2,935
	140	-	-	-	1,372	1,688	2,048	2,244	2,451	2,895
	150	-	-	-	-	1,646	2,003	2,198	2,404	2,846

Table 19. Refrigerant flow (lb/hr) – voltage 200-60-3 (continued)

Compr Size CSDHxxx	Cond Temp °F	Evaporator Temp °F								
		-10	0	10	20	30	40	45	50	60
161	80	821	1,015	1,254	1,538	1,867	2,240	2,444	2,659	3,122
	90	810	1,007	1,249	1,535	1,867	2,243	2,448	2,664	3,130
	100	796	995	1,238	1,527	1,860	2,238	2,444	2,661	3,128
	110	779	978	1,223	1,512	1,846	2,225	2,431	2,648	3,116
	120	-	958	1,202	1,492	1,826	2,204	2,410	2,627	3,094
	130	-	-	1,176	1,465	1,797	2,174	2,380	2,596	3,062
	140	-	-	-	1,431	1,762	2,137	2,341	2,556	3,019
	150	-	-	-	-	1,719	2,090	2,293	2,506	2,966
175	80	882	1,089	1,343	1,644	1,993	2,390	2,605	2,833	3,322
	90	874	1,084	1,341	1,646	1,997	2,396	2,613	2,841	3,333
	100	863	1,075	1,334	1,641	1,995	2,395	2,613	2,842	3,335
	110	849	1,062	1,322	1,630	1,985	2,387	2,605	2,835	3,329
	120	-	1,045	1,305	1,614	1,969	2,371	2,590	2,820	3,315
	130	-	-	1,283	1,591	1,946	2,348	2,567	2,798	3,294
	140	-	-	-	1,562	1,916	2,318	2,537	2,768	3,264
	150	-	-	-	-	1,880	2,281	2,499	2,730	3,227
183	80	919	1,134	1,399	1,713	2,076	2,489	2,714	2,951	3,461
	90	910	1,129	1,397	1,714	2,081	2,496	2,722	2,960	3,471
	100	899	1,120	1,390	1,709	2,078	2,495	2,721	2,960	3,474
	110	884	1,106	1,378	1,698	2,068	2,486	2,714	2,953	3,468
	120	-	1,088	1,360	1,681	2,051	2,470	2,698	2,938	3,453
	130	-	-	1,337	1,657	2,027	2,446	2,674	2,914	3,431
	140	-	-	-	1,627	1,996	2,415	2,643	2,883	3,400
	150	-	-	-	-	1,958	2,376	2,603	2,844	3,361



Performance Data

Table 20. Refrigerant flow (lb/hr) — voltage 230-60-3

Compr Size CSDHxxx	Cond Temp °F	Evaporator Temp °F								
		-10	0	10	20	30	40	45	50	60
075	80	365	455	566	700	854	1,031	1,127	1,229	1,448
	90	356	448	561	694	849	1,025	1,121	1,222	1,440
	100	350	442	554	688	843	1,018	1,114	1,214	1,431
	110	346	436	548	681	835	1,009	1,105	1,205	1,421
	120	-	432	542	673	825	999	1,094	1,194	1,410
	130	-	-	535	663	814	987	1,081	1,182	1,399
	140	-	-	-	652	801	973	1,067	1,168	1,386
	150	-	-	-	-	786	957	1,051	1,152	1,373
089	80	412	521	656	817	1,002	1,213	1,328	1,449	1,710
	90	404	516	653	815	1,003	1,216	1,331	1,453	1,716
	100	395	508	647	811	999	1,214	1,330	1,453	1,717
	110	-	498	638	802	992	1,207	1,324	1,447	1,711
	120	-	486	625	790	980	1,195	1,312	1,435	1,700
	130	-	-	610	775	965	1,179	1,295	1,418	1,682
	140	-	-	-	756	944	1,157	1,273	1,395	1,658
	150	-	-	-	-	919	1,131	1,246	1,367	1,628
092	80	436	552	694	864	1,060	1,283	1,404	1,532	1,809
	90	427	546	691	862	1,061	1,286	1,408	1,537	1,815
	100	418	537	684	857	1,057	1,283	1,407	1,536	1,816
	110	-	527	674	848	1,049	1,276	1,400	1,530	1,810
	120	-	514	661	836	1,037	1,264	1,388	1,518	1,798
	130	-	-	646	820	1,020	1,247	1,370	1,500	1,779
	140	-	-	-	799	999	1,224	1,347	1,476	1,754
	150	-	-	-	-	973	1,196	1,318	1,446	1,722
103	80	520	657	817	1,002	1,216	1,462	1,597	1,742	2,060
	90	514	650	809	993	1,206	1,451	1,586	1,730	2,046
	100	506	642	801	985	1,197	1,441	1,576	1,719	2,035
	110	497	633	791	975	1,187	1,431	1,566	1,709	2,025
	120	-	620	779	963	1,175	1,419	1,554	1,697	2,013
	130	-	-	762	946	1,159	1,404	1,539	1,682	1,998
	140	-	-	-	924	1,138	1,383	1,518	1,663	1,979
	150	-	-	-	-	1,109	1,356	1,492	1,637	1,954
105	80	511	634	786	966	1,175	1,412	1,541	1,677	1,971
	90	506	632	786	969	1,180	1,420	1,551	1,689	1,986
	100	500	627	783	968	1,182	1,424	1,556	1,695	1,994
	110	491	620	777	964	1,179	1,423	1,555	1,695	1,996
	120	-	609	768	955	1,171	1,416	1,549	1,689	1,991
	130	-	-	754	942	1,158	1,403	1,537	1,677	1,980
	140	-	-	-	925	1,141	1,385	1,519	1,659	1,962
	150	-	-	-	-	1,118	1,362	1,495	1,635	1,937

Table 20. Refrigerant flow (lb/hr) — voltage 230-60-3 (continued)

Compr Size CSDHxxx	Cond Temp °F	Evaporator Temp °F								
		-10	0	10	20	30	40	45	50	60
110	80	543	674	835	1,026	1,248	1,500	1,637	1,782	2,094
	90	538	671	835	1,030	1,254	1,509	1,648	1,794	2,110
	100	531	666	832	1,029	1,256	1,513	1,653	1,801	2,119
	110	521	658	826	1,024	1,252	1,511	1,652	1,801	2,121
	120	-	647	816	1,014	1,244	1,504	1,646	1,795	2,116
	130	-	-	802	1,001	1,231	1,491	1,633	1,782	2,104
	140	-	-	-	982	1,212	1,472	1,614	1,763	2,085
	150	-	-	-	-	1,188	1,447	1,588	1,737	2,058
120	80	583	730	913	1,130	1,383	1,670	1,826	1,991	2,346
	90	579	729	913	1,132	1,385	1,672	1,828	1,993	2,347
	100	569	721	908	1,128	1,382	1,669	1,825	1,989	2,342
	110	553	709	897	1,118	1,373	1,660	1,816	1,980	2,332
	120	-	690	880	1,103	1,358	1,646	1,801	1,965	2,316
	130	-	-	858	1,082	1,338	1,626	1,782	1,945	2,295
	140	-	-	-	1,056	1,313	1,601	1,756	1,920	2,269
	150	-	-	-	-	1,282	1,570	1,725	1,888	2,237
125	80	601	753	941	1,166	1,426	1,722	1,883	2,053	2,420
	90	597	751	942	1,167	1,428	1,724	1,885	2,055	2,420
	100	587	744	936	1,163	1,425	1,721	1,882	2,051	2,415
	110	571	731	925	1,153	1,416	1,712	1,872	2,042	2,405
	120	-	712	908	1,138	1,401	1,697	1,858	2,027	2,389
	130	-	-	885	1,116	1,380	1,677	1,837	2,006	2,367
	140	-	-	-	1,089	1,354	1,651	1,811	1,979	2,340
	150	-	-	-	-	1,322	1,619	1,779	1,947	2,307
136	80	685	843	1,040	1,275	1,547	1,858	2,027	2,206	2,591
	90	678	840	1,040	1,278	1,553	1,866	2,037	2,217	2,604
	100	670	834	1,036	1,276	1,553	1,868	2,039	2,220	2,609
	110	660	825	1,028	1,269	1,547	1,863	2,035	2,216	2,606
	120	-	814	1,016	1,257	1,535	1,852	2,024	2,205	2,596
	130	-	-	1,001	1,240	1,518	1,833	2,005	2,187	2,578
	140	-	-	-	1,218	1,494	1,808	1,980	2,161	2,552
	150	-	-	-	-	1,464	1,777	1,947	2,128	2,518
142	80	713	879	1,084	1,329	1,613	1,935	2,111	2,297	2,697
	90	706	875	1,083	1,331	1,618	1,943	2,121	2,308	2,712
	100	698	869	1,079	1,328	1,617	1,945	2,124	2,312	2,718
	110	688	860	1,070	1,321	1,611	1,940	2,119	2,308	2,716
	120	-	847	1,058	1,309	1,599	1,928	2,108	2,297	2,705
	130	-	-	1,042	1,292	1,581	1,910	2,089	2,278	2,686
	140	-	-	-	1,269	1,557	1,884	2,063	2,251	2,658
	150	-	-	-	1,242	1,527	1,851	2,029	2,216	2,620



Performance Data

Table 20. Refrigerant flow (lb/hr) — voltage 230-60-3 (continued)

Compr Size CSHDxxx	Cond Temp °F	Evaporator Temp °F								
		-10	0	10	20	30	40	45	50	60
155	80	797	984	1,215	1,490	1,809	2,172	2,370	2,579	3,028
	90	785	976	1,211	1,489	1,811	2,176	2,375	2,584	3,035
	100	771	964	1,201	1,481	1,805	2,171	2,370	2,580	3,032
	110	755	949	1,186	1,467	1,791	2,158	2,358	2,568	3,020
	120	-	929	1,166	1,447	1,771	2,138	2,337	2,547	2,999
	130	-	-	1,141	1,420	1,743	2,109	2,308	2,517	2,968
	140	-	-	-	1,387	1,708	2,071	2,270	2,478	2,928
	150	-	-	-	-	1,665	2,026	2,223	2,431	2,879
161	80	830	1,026	1,268	1,555	1,888	2,266	2,472	2,689	3,157
	90	819	1,018	1,263	1,553	1,888	2,269	2,476	2,694	3,165
	100	805	1,006	1,252	1,544	1,881	2,264	2,472	2,691	3,163
	110	788	990	1,237	1,530	1,867	2,250	2,459	2,678	3,151
	120	-	969	1,216	1,509	1,846	2,229	2,437	2,656	3,129
	130	-	-	1,190	1,481	1,818	2,199	2,407	2,625	3,096
	140	-	-	-	1,447	1,782	2,161	2,367	2,585	3,053
	150	-	-	-	-	1,738	2,114	2,319	2,535	3,000
175	80	892	1,101	1,358	1,663	2,016	2,417	2,635	2,865	3,360
	90	884	1,096	1,356	1,664	2,020	2,423	2,642	2,873	3,370
	100	872	1,087	1,349	1,660	2,017	2,422	2,642	2,874	3,373
	110	858	1,074	1,337	1,649	2,008	2,414	2,635	2,867	3,367
	120	-	1,057	1,320	1,632	1,991	2,398	2,619	2,852	3,353
	130	-	-	1,298	1,609	1,968	2,375	2,596	2,829	3,331
	140	-	-	-	1,580	1,938	2,344	2,566	2,799	3,301
	150	-	-	-	-	1,901	2,307	2,528	2,761	3,263
183	80	930	1,147	1,414	1,732	2,100	2,517	2,745	2,984	3,500
	90	921	1,142	1,413	1,734	2,104	2,524	2,753	2,993	3,511
	100	909	1,132	1,406	1,729	2,101	2,523	2,752	2,994	3,513
	110	894	1,119	1,393	1,717	2,091	2,514	2,744	2,986	3,507
	120	-	1,101	1,375	1,700	2,074	2,498	2,728	2,971	3,493
	130	-	-	1,352	1,676	2,050	2,474	2,704	2,947	3,470
	140	-	-	-	1,646	2,019	2,442	2,673	2,916	3,439
	150	-	-	-	-	1,980	2,403	2,633	2,876	3,399

Performance Data

Table 21. Refrigerant flow (lb/hr) — voltage 400-50-3

Compr Size CSDHxxx	Cond Temp °F	Evaporator Temp °F								
		-10	0	10	20	30	40	45	50	60
075	80	153	280	415	557	706	863	945	1,028	1,199
	90	295	373	468	581	711	857	937	1,021	1,201
	100	379	427	498	592	710	850	929	1,013	1,200
	110	407	442	503	590	703	841	920	1,005	1,195
	120	-	418	484	575	691	832	911	997	1,186
	130	-	-	441	547	673	820	901	988	1,175
	140	-	-	-	505	650	808	891	978	1,160
	150	-	-	-	-	622	794	881	967	1,141
089	80	353	443	554	686	840	1,014	1,110	1,210	1,426
	90	345	436	548	681	834	1,009	1,104	1,204	1,420
	100	336	428	540	673	827	1,001	1,096	1,196	1,412
	110	-	418	531	664	817	991	1,086	1,186	1,401
	120	-	408	520	653	806	980	1,074	1,173	1,387
	130	-	-	508	640	793	966	1,059	1,158	1,371
	140	-	-	-	626	778	949	1,043	1,141	1,352
	150	-	-	-	-	760	931	1,023	1,121	1,331
092	80	373	468	586	726	888	1,073	1,173	1,279	1,508
	90	365	461	579	720	882	1,067	1,167	1,273	1,502
	100	356	452	571	712	874	1,059	1,159	1,265	1,493
	110	345	443	561	702	864	1,049	1,149	1,254	1,481
	120	-	431	550	691	853	1,036	1,136	1,241	1,467
	130	-	-	537	677	838	1,021	1,120	1,225	1,450
	140	-	-	-	662	822	1,004	1,103	1,206	1,430
	150	-	-	-	-	804	984	1,082	1,185	1,407
103	80	417	534	666	818	993	1,197	1,310	1,432	1,704
	90	410	528	661	812	987	1,188	1,300	1,420	1,688
	100	398	519	653	806	980	1,180	1,291	1,410	1,675
	110	381	505	642	796	971	1,171	1,281	1,400	1,663
	120	-	484	624	781	957	1,158	1,269	1,388	1,650
	130	-	-	599	759	938	1,141	1,253	1,372	1,634
	140	-	-	-	729	912	1,117	1,230	1,350	1,613
	150	-	-	-	-	875	1,085	1,199	1,320	1,585
105	80	383	488	620	779	965	1,178	1,294	1,417	1,682
	90	385	491	624	784	969	1,180	1,296	1,417	1,680
	100	385	493	627	786	970	1,179	1,293	1,413	1,673
	110	-	494	627	785	967	1,174	1,286	1,405	1,660
	120	-	494	626	782	962	1,165	1,276	1,392	1,643
	130	-	-	623	776	953	1,153	1,261	1,375	1,620
	140	-	-	-	769	941	1,136	1,242	1,353	1,592
	150	-	-	-	-	927	1,116	1,219	1,327	1,559



Performance Data

Table 21. Refrigerant flow (lb/hr) — voltage 400-50-3 (continued)

Compr Size CSDHxxx	Cond Temp °F	Evaporator Temp °F								
		-10	0	10	20	30	40	45	50	60
110	80	405	516	658	828	1,027	1,254	1,378	1,508	1,790
	90	414	527	670	840	1,039	1,265	1,388	1,517	1,796
	100	415	530	673	843	1,040	1,264	1,386	1,514	1,790
	110	-	527	670	839	1,034	1,256	1,376	1,502	1,773
	120	-	-	664	831	1,024	1,242	1,360	1,484	1,750
	130	-	-	-	823	1,012	1,226	1,341	1,463	1,723
	140	-	-	-	-	1,002	1,211	1,324	1,442	1,695
	150	-	-	-	-	-	1,200	1,309	1,424	1,670
120	80	488	613	767	951	1,163	1,405	1,537	1,676	1,976
	90	478	604	760	944	1,157	1,400	1,531	1,670	1,969
	100	466	594	750	935	1,148	1,390	1,522	1,660	1,958
	110	453	581	737	922	1,136	1,377	1,508	1,646	1,943
	120	-	566	723	907	1,120	1,360	1,491	1,629	1,924
	130	-	-	705	889	1,101	1,340	1,470	1,607	1,901
	140	-	-	-	868	1,078	1,316	1,445	1,581	1,874
	150	-	-	-	-	1,052	1,288	1,417	1,552	1,842
125	80	503	632	791	981	1,200	1,449	1,585	1,728	2,037
	90	493	623	783	974	1,193	1,443	1,579	1,722	2,031
	100	481	612	773	964	1,184	1,433	1,569	1,712	2,020
	110	467	599	760	951	1,171	1,420	1,555	1,698	2,004
	120	-	584	745	935	1,154	1,403	1,537	1,679	1,985
	130	-	-	727	917	1,135	1,382	1,516	1,657	1,961
	140	-	-	-	895	1,112	1,357	1,490	1,631	1,932
	150	-	-	-	-	1,086	1,329	1,461	1,600	1,899
136	80	566	698	860	1,054	1,279	1,534	1,673	1,820	2,136
	90	557	692	857	1,053	1,280	1,537	1,677	1,824	2,141
	100	546	683	850	1,048	1,276	1,534	1,675	1,823	2,142
	110	533	670	839	1,038	1,267	1,527	1,668	1,817	2,137
	120	-	655	824	1,023	1,254	1,514	1,656	1,805	2,126
	130	-	-	805	1,005	1,235	1,496	1,638	1,788	2,110
	140	-	-	-	982	1,212	1,473	1,615	1,765	2,088
	150	-	-	-	-	1,184	1,445	1,587	1,737	2,060
142	80	589	727	897	1,099	1,333	1,598	1,743	1,895	2,224
	90	580	721	893	1,097	1,333	1,600	1,746	1,900	2,231
	100	569	711	885	1,091	1,328	1,598	1,744	1,899	2,231
	110	555	698	873	1,080	1,319	1,590	1,737	1,892	2,226
	120	-	682	858	1,066	1,305	1,577	1,725	1,880	2,215
	130	-	-	838	1,046	1,287	1,559	1,706	1,862	2,198
	140	-	-	-	1,023	1,263	1,535	1,683	1,839	2,174
	150	-	-	-	-	1,234	1,506	1,653	1,809	2,144

Table 21. Refrigerant flow (lb/hr) – voltage 400-50-3 (continued)

Compr Size CSDHxxx	Cond Temp °F	Evaporator Temp °F								
		-10	0	10	20	30	40	45	50	60
155	80	641	796	989	1,218	1,484	1,786	1,951	2,124	2,498
	90	629	789	985	1,217	1,485	1,790	1,955	2,130	2,505
	100	615	777	975	1,209	1,479	1,785	1,951	2,126	2,502
	110	598	761	960	1,195	1,465	1,771	1,938	2,113	2,489
	120	-	741	939	1,174	1,444	1,750	1,916	2,091	2,466
	130	-	-	914	1,146	1,415	1,719	1,885	2,059	2,434
	140	-	-	-	1,112	1,379	1,681	1,845	2,018	2,391
	150	-	-	-	-	1,334	1,633	1,796	1,968	2,338
161	80	667	831	1,032	1,271	1,548	1,863	2,034	2,215	2,605
	90	656	823	1,027	1,269	1,549	1,866	2,039	2,221	2,613
	100	642	810	1,017	1,261	1,542	1,861	2,034	2,217	2,610
	110	624	794	1,001	1,246	1,528	1,847	2,020	2,203	2,597
	120	-	772	979	1,224	1,506	1,824	1,998	2,180	2,573
	130	-	-	952	1,196	1,476	1,793	1,966	2,147	2,539
	140	-	-	-	1,160	1,438	1,753	1,924	2,105	2,493
	150	-	-	-	-	1,393	1,704	1,873	2,052	2,436
175	80	731	905	1,121	1,379	1,677	2,016	2,200	2,395	2,814
	90	721	898	1,116	1,374	1,673	2,012	2,197	2,391	2,810
	100	710	888	1,107	1,366	1,664	2,003	2,187	2,382	2,799
	110	697	875	1,094	1,353	1,651	1,989	2,173	2,366	2,783
	120	-	860	1,078	1,335	1,633	1,970	2,153	2,345	2,760
	130	-	-	1,058	1,314	1,610	1,945	2,127	2,319	2,732
	140	-	-	-	1,289	1,582	1,915	2,096	2,287	2,697
	150	-	-	-	-	1,549	1,880	2,059	2,249	2,657
183	80	761	943	1,168	1,436	1,747	2,100	2,292	2,495	2,932
	90	751	936	1,162	1,431	1,743	2,096	2,288	2,491	2,927
	100	740	925	1,153	1,422	1,734	2,087	2,279	2,481	2,916
	110	726	912	1,140	1,409	1,720	2,072	2,263	2,465	2,899
	120	-	895	1,123	1,391	1,701	2,052	2,242	2,443	2,875
	130	-	-	1,102	1,369	1,677	2,026	2,216	2,416	2,845
	140	-	-	-	1,342	1,648	1,995	2,183	2,382	2,809
	150	-	-	-	-	1,614	1,958	2,145	2,342	2,767



Performance Data

Table 22. Refrigerant flow (lb/hr) — voltage 460-60-3

Compr Size CSDHxxx	Cond Temp °F	Evaporator Temp °F								
		-10	0	10	20	30	40	45	50	60
075	80	365	455	566	700	854	1,031	1,127	1,229	1,448
	90	356	448	561	694	849	1,025	1,121	1,222	1,440
	100	350	442	554	688	843	1,018	1,114	1,214	1,431
	110	346	436	548	681	835	1,009	1,105	1,205	1,421
	120	-	432	542	673	825	999	1,094	1,194	1,410
	130	-	-	535	663	814	987	1,081	1,182	1,399
	140	-	-	-	652	801	973	1,067	1,168	1,386
	150	-	-	-	-	786	957	1,051	1,152	1,373
089	80	415	525	660	821	1,008	1,220	1,336	1,458	1,720
	90	407	519	657	820	1,009	1,223	1,339	1,462	1,727
	100	397	511	650	815	1,005	1,221	1,338	1,461	1,727
	110	-	501	641	807	998	1,214	1,331	1,455	1,721
	120	-	489	629	795	986	1,202	1,320	1,444	1,710
	130	-	-	614	780	970	1,186	1,303	1,426	1,692
	140	-	-	-	760	950	1,164	1,281	1,404	1,668
	150	-	-	-	-	925	1,138	1,253	1,375	1,638
092	80	438	555	698	869	1,066	1,290	1,413	1,541	1,819
	90	430	549	695	867	1,067	1,293	1,416	1,546	1,826
	100	420	540	688	862	1,063	1,291	1,415	1,545	1,826
	110	-	530	678	853	1,055	1,284	1,408	1,539	1,820
	120	-	517	665	841	1,043	1,272	1,396	1,527	1,808
	130	-	-	649	824	1,026	1,254	1,378	1,508	1,789
	140	-	-	-	804	1,004	1,231	1,355	1,484	1,764
	150	-	-	-	-	978	1,203	1,325	1,454	1,732
105	80	514	638	791	972	1,181	1,420	1,550	1,687	1,982
	90	509	636	791	975	1,187	1,429	1,560	1,699	1,997
	100	503	631	788	974	1,189	1,432	1,565	1,705	2,006
	110	494	623	782	969	1,186	1,431	1,564	1,705	2,008
	120	-	613	772	960	1,178	1,424	1,558	1,699	2,003
	130	-	-	759	947	1,165	1,412	1,546	1,687	1,992
	140	-	-	-	930	1,147	1,394	1,528	1,669	1,974
	150	-	-	-	-	1,125	1,370	1,504	1,645	1,948
110	80	546	678	840	1,032	1,255	1,509	1,647	1,792	2,106
	90	541	675	840	1,036	1,262	1,518	1,658	1,805	2,122
	100	534	670	837	1,035	1,263	1,522	1,663	1,811	2,131
	110	525	662	831	1,030	1,260	1,520	1,662	1,812	2,133
	120	-	651	820	1,020	1,251	1,513	1,655	1,805	2,128
	130	-	-	806	1,007	1,238	1,500	1,642	1,793	2,116
	140	-	-	-	988	1,219	1,481	1,623	1,773	2,097
	150	-	-	-	965	1,195	1,456	1,598	1,747	2,070

Table 22. Refrigerant flow (lb/hr) — voltage 460-60-3 (continued)

Compr Size CSDHxxx	Cond Temp °F	Evaporator Temp °F								
		-10	0	10	20	30	40	45	50	60
120	80	586	735	918	1,137	1,391	1,679	1,837	2,003	2,360
	90	582	733	919	1,139	1,393	1,682	1,839	2,004	2,361
	100	572	726	913	1,135	1,390	1,678	1,835	2,001	2,356
	110	557	713	902	1,125	1,381	1,670	1,826	1,991	2,346
	120	-	694	885	1,110	1,366	1,655	1,812	1,977	2,330
	130	-	-	863	1,089	1,346	1,635	1,792	1,956	2,309
	140	-	-	-	1,062	1,320	1,610	1,767	1,931	2,282
	150	-	-	-	-	1,289	1,579	1,736	1,900	2,250
125	80	604	757	947	1,173	1,434	1,732	1,894	2,065	2,434
	90	600	756	947	1,174	1,437	1,734	1,896	2,067	2,434
	100	590	748	942	1,170	1,433	1,731	1,893	2,063	2,430
	110	574	735	930	1,160	1,424	1,722	1,883	2,054	2,419
	120	-	716	913	1,144	1,409	1,707	1,869	2,038	2,403
	130	-	-	890	1,123	1,388	1,687	1,848	2,018	2,381
	140	-	-	-	1,095	1,362	1,660	1,822	1,991	2,354
	150	-	-	-	-	1,329	1,628	1,790	1,959	2,320
136	80	689	848	1,046	1,282	1,556	1,869	2,039	2,219	2,606
	90	682	845	1,046	1,285	1,562	1,877	2,049	2,230	2,619
	100	673	839	1,042	1,283	1,562	1,879	2,051	2,233	2,624
	110	664	830	1,034	1,276	1,556	1,874	2,047	2,229	2,622
	120	-	818	1,022	1,264	1,544	1,862	2,036	2,218	2,611
	130	-	-	1,006	1,247	1,526	1,844	2,017	2,200	2,593
	140	-	-	-	1,225	1,503	1,819	1,992	2,174	2,567
	150	-	-	-	-	1,473	1,787	1,959	2,140	2,533
142	80	717	884	1,091	1,337	1,622	1,947	2,124	2,311	2,713
	90	710	880	1,090	1,339	1,627	1,955	2,133	2,322	2,728
	100	702	874	1,085	1,336	1,626	1,956	2,136	2,326	2,734
	110	692	865	1,077	1,329	1,620	1,951	2,132	2,322	2,732
	120	-	852	1,064	1,316	1,608	1,940	2,120	2,311	2,721
	130	-	-	1,048	1,299	1,590	1,921	2,101	2,291	2,702
	140	-	-	1,027	1,277	1,566	1,895	2,075	2,264	2,673
	150	-	-	-	1,249	1,535	1,862	2,041	2,229	2,636
155	80	802	989	1,222	1,499	1,820	2,185	2,384	2,594	3,046
	90	790	982	1,218	1,498	1,821	2,189	2,388	2,599	3,053
	100	776	970	1,208	1,490	1,815	2,184	2,384	2,596	3,050
	110	759	954	1,193	1,476	1,802	2,171	2,372	2,583	3,038
	120	-	935	1,173	1,455	1,781	2,150	2,351	2,562	3,016
	130	-	-	1,148	1,429	1,753	2,121	2,321	2,532	2,986
	140	-	-	-	1,395	1,718	2,084	2,283	2,493	2,945
	150	-	-	-	-	1,675	2,038	2,236	2,445	2,896



Performance Data

Table 22. Refrigerant flow (lb/hr) – voltage 460-60-3 (continued)

Compr Size CSDHxxx	Cond Temp °F	Evaporator Temp °F								
		-10	0	10	20	30	40	45	50	60
161	80	835	1,032	1,276	1,564	1,899	2,279	2,486	2,705	3,176
	90	824	1,024	1,270	1,562	1,899	2,282	2,490	2,710	3,184
	100	810	1,012	1,260	1,553	1,892	2,277	2,486	2,707	3,182
	110	792	995	1,244	1,538	1,878	2,264	2,473	2,694	3,170
	120	-	975	1,223	1,517	1,857	2,242	2,451	2,672	3,147
	130	-	-	1,197	1,490	1,828	2,212	2,421	2,641	3,115
	140	-	-	-	1,456	1,792	2,174	2,381	2,600	3,071
	150	-	-	-	-	1,748	2,126	2,332	2,550	3,018
175	80	893	1,102	1,359	1,665	2,018	2,419	2,638	2,868	3,364
	90	885	1,097	1,358	1,666	2,022	2,426	2,645	2,877	3,374
	100	873	1,088	1,351	1,661	2,019	2,425	2,645	2,877	3,376
	110	859	1,075	1,339	1,651	2,010	2,416	2,637	2,870	3,370
	120	-	1,058	1,322	1,634	1,993	2,401	2,622	2,855	3,357
	130	-	-	1,299	1,611	1,970	2,378	2,599	2,833	3,335
	140	-	-	-	1,582	1,940	2,347	2,569	2,802	3,305
	150	-	-	-	-	1,903	2,309	2,530	2,764	3,267
183	80	931	1,148	1,416	1,734	2,102	2,520	2,748	2,988	3,504
	90	922	1,143	1,414	1,736	2,106	2,527	2,756	2,996	3,515
	100	910	1,133	1,407	1,731	2,104	2,526	2,755	2,997	3,517
	110	895	1,120	1,395	1,719	2,094	2,517	2,747	2,990	3,511
	120	-	1,102	1,377	1,702	2,076	2,501	2,731	2,974	3,496
	130	-	-	1,354	1,678	2,052	2,477	2,707	2,951	3,474
	140	-	-	-	1,648	2,021	2,445	2,676	2,919	3,443
	150	-	-	-	-	1,982	2,405	2,636	2,879	3,403

Performance Data

Table 23. Refrigerant flow (lb/hr) — voltage 575-60-3

Compr Size CSDHxxx	Cond Temp °F	Evaporator Temp °F								
		-10	0	10	20	30	40	45	50	60
089	80	415	525	660	821	1,008	1,220	1,336	1,458	1,720
	90	407	519	657	820	1,009	1,223	1,339	1,462	1,727
	100	397	511	650	815	1,005	1,221	1,338	1,461	1,727
	110	-	501	641	807	998	1,214	1,331	1,455	1,721
	120	-	489	629	795	986	1,202	1,320	1,444	1,710
	130	-	-	614	780	970	1,186	1,303	1,426	1,692
	140	-	-	-	760	950	1,164	1,281	1,404	1,668
	150	-	-	-	-	925	1,138	1,253	1,375	1,638
092	80	438	555	698	869	1,066	1,290	1,413	1,541	1,819
	90	430	549	695	867	1,067	1,293	1,416	1,546	1,826
	100	420	540	688	862	1,063	1,291	1,415	1,545	1,826
	110	-	530	678	853	1,055	1,284	1,408	1,539	1,820
	120	-	517	665	841	1,043	1,272	1,396	1,527	1,808
	130	-	-	649	824	1,026	1,254	1,378	1,508	1,789
	140	-	-	-	804	1,004	1,231	1,355	1,484	1,764
	150	-	-	-	-	978	1,203	1,325	1,454	1,732
105	80	514	638	791	972	1,181	1,420	1,550	1,687	1,982
	90	509	636	791	975	1,187	1,429	1,560	1,699	1,997
	100	503	631	788	974	1,189	1,432	1,565	1,705	2,006
	110	494	623	782	969	1,186	1,431	1,564	1,705	2,008
	120	-	613	772	960	1,178	1,424	1,558	1,699	2,003
	130	-	-	759	947	1,165	1,412	1,546	1,687	1,992
	140	-	-	-	930	1,147	1,394	1,528	1,669	1,974
	150	-	-	-	-	1,125	1,370	1,504	1,645	1,948
110	80	546	678	840	1,032	1,255	1,509	1,647	1,792	2,106
	90	541	675	840	1,036	1,262	1,518	1,658	1,805	2,122
	100	534	670	837	1,035	1,263	1,522	1,663	1,811	2,131
	110	525	662	831	1,030	1,260	1,520	1,662	1,812	2,133
	120	-	651	820	1,020	1,251	1,513	1,655	1,805	2,128
	130	-	-	806	1,007	1,238	1,500	1,642	1,793	2,116
	140	-	-	-	988	1,219	1,481	1,623	1,773	2,097
	150	-	-	-	965	1,195	1,456	1,598	1,747	2,070
125	80	604	757	947	1,173	1,434	1,732	1,894	2,065	2,434
	90	600	756	947	1,174	1,437	1,734	1,896	2,067	2,434
	100	590	748	942	1,170	1,433	1,731	1,893	2,063	2,430
	110	574	735	930	1,160	1,424	1,722	1,883	2,054	2,419
	120	-	716	913	1,144	1,409	1,707	1,869	2,038	2,403
	130	-	-	890	1,123	1,388	1,687	1,848	2,018	2,381
	140	-	-	-	1,095	1,362	1,660	1,822	1,991	2,354
	150	-	-	-	-	1,329	1,628	1,790	1,959	2,320



Performance Data

Table 23. Refrigerant flow (lb/hr) — voltage 575-60-3 (continued)

Compr Size CSDHxxx	Cond Temp °F	Evaporator Temp °F								
		-10	0	10	20	30	40	45	50	60
142	80	717	884	1,091	1,337	1,622	1,947	2,124	2,311	2,713
	90	710	880	1,090	1,339	1,627	1,955	2,133	2,322	2,728
	100	702	874	1,085	1,336	1,626	1,956	2,136	2,326	2,734
	110	692	865	1,077	1,329	1,620	1,951	2,132	2,322	2,732
	120	-	852	1,064	1,316	1,608	1,940	2,120	2,311	2,721
	130	-	-	1,048	1,299	1,590	1,921	2,101	2,291	2,702
	140	-	-	1,027	1,277	1,566	1,895	2,075	2,264	2,673
	150	-	-	-	1,249	1,535	1,862	2,041	2,229	2,636
161	80	835	1,032	1,276	1,564	1,899	2,279	2,486	2,705	3,176
	90	824	1,024	1,270	1,562	1,899	2,282	2,490	2,710	3,184
	100	810	1,012	1,260	1,553	1,892	2,277	2,486	2,707	3,182
	110	792	995	1,244	1,538	1,878	2,264	2,473	2,694	3,170
	120	-	975	1,223	1,517	1,857	2,242	2,451	2,672	3,147
	130	-	-	1,197	1,490	1,828	2,212	2,421	2,641	3,115
	140	-	-	-	1,456	1,792	2,174	2,381	2,600	3,071
	150	-	-	-	-	1,748	2,126	2,332	2,550	3,018

EER
Table 24. EER (btu/watt-hr) — voltage 200-60-3

Compr Size CSDHxxx	Cond Temp °F	Evaporator Temp °F								
		-10	0	10	20	30	40	45	50	60
075	80	7.58	9.35	11.56	14.18	17.22	20.66	22.54	24.51	28.76
	90	6.43	8.04	10.01	12.35	15.07	18.15	19.83	21.60	25.42
	100	5.40	6.80	8.52	10.57	12.94	15.64	17.12	18.67	22.03
	110	4.49	5.68	7.15	8.91	10.95	13.27	14.54	15.89	18.78
	120	-	4.70	5.93	7.41	9.14	11.11	12.20	13.34	15.80
	130	-	-	4.87	6.10	7.54	9.20	10.12	11.08	13.16
	140	-	-	-	4.97	6.16	7.54	8.30	9.11	10.84
	150	-	-	-	-	4.96	6.09	6.72	7.38	8.82
089	80	7.53	9.58	12.07	15.01	18.35	22.09	24.08	26.16	30.55
	90	6.36	8.17	10.38	12.98	15.94	19.25	21.03	22.87	26.77
	100	5.25	6.82	8.74	10.99	13.57	16.46	18.01	19.63	23.05
	110	-	5.58	7.22	9.15	11.36	13.85	15.19	16.58	19.55
	120	-	-	5.87	7.50	9.38	11.49	12.63	13.83	16.38
	130	-	-	4.72	6.07	7.65	9.42	10.39	11.40	13.57
	140	-	-	-	4.86	6.16	7.64	8.45	9.30	11.12
	150	-	-	-	-	4.88	6.09	6.76	7.46	8.97
092	80	7.64	9.71	12.25	15.22	18.62	22.41	24.43	26.54	30.99
	90	6.46	8.29	10.53	13.17	16.18	19.53	21.33	23.21	27.16
	100	5.33	6.92	8.86	11.15	13.77	16.70	18.27	19.91	23.39
	110	-	5.67	7.32	9.28	11.52	14.05	15.41	16.83	19.84
	120	-	4.57	5.96	7.61	9.51	11.66	12.82	14.03	16.62
	130	-	-	4.79	6.16	7.76	9.56	10.54	11.57	13.77
	140	-	-	-	4.93	6.25	7.75	8.57	9.43	11.28
	150	-	-	-	-	4.95	6.18	6.86	7.57	9.10
105	80	7.75	9.55	11.79	14.48	17.64	21.29	23.30	25.45	30.17
	90	6.68	8.33	10.35	12.75	15.51	18.65	20.36	22.16	26.04
	100	5.62	7.09	8.88	10.99	13.40	16.10	17.56	19.08	22.29
	110	4.63	5.92	7.48	9.32	11.40	13.72	14.96	16.25	18.95
	120	-	4.85	6.20	7.78	9.57	11.56	12.62	13.71	15.99
	130	-	-	5.06	6.41	7.94	9.64	10.54	11.47	13.41
	140	-	-	-	5.21	6.51	7.95	8.71	9.50	11.15
	150	-	-	-	-	5.24	6.45	7.09	7.76	9.15
110	80	7.94	9.79	12.08	14.84	18.08	21.81	23.88	26.08	30.91
	90	6.85	8.54	10.61	13.06	15.90	19.11	20.87	22.71	26.68
	100	5.76	7.27	9.10	11.26	13.73	16.50	17.99	19.55	22.84
	110	4.75	6.06	7.67	9.55	11.68	14.06	15.33	16.65	19.42
	120	-	4.97	6.35	7.97	9.81	11.85	12.93	14.05	16.39
	130	-	-	5.19	6.57	8.14	9.88	10.80	11.75	13.74
	140	-	-	-	5.34	6.67	8.14	8.93	9.74	11.42
	150	-	-	-	-	5.37	6.61	7.27	7.95	9.37



Performance Data

Table 24. EER (btu/watt-hr) — voltage 200-60-3 (continued)

Compr Size CSDHxxx	Cond Temp °F	Evaporator Temp °F								
		-10	0	10	20	30	40	45	50	60
120	80	8.10	10.10	12.51	15.28	18.37	21.73	23.48	25.29	28.99
	90	6.96	8.75	10.89	13.37	16.13	19.13	20.71	22.33	25.68
	100	5.81	7.37	9.26	11.43	13.87	16.53	17.94	19.38	22.38
	110	4.72	6.07	7.70	9.59	11.72	14.06	15.29	16.58	19.24
	120	-	4.90	6.30	7.92	9.76	11.79	12.87	13.99	16.34
	130	-	-	5.07	6.45	8.02	9.77	10.71	11.68	13.74
	140	-	-	-	5.18	6.51	8.00	8.81	9.65	11.42
	150	-	-	-	-	5.20	6.45	7.13	7.84	9.35
125	80	8.14	10.15	12.57	15.36	18.46	21.83	23.60	25.41	29.13
	90	7.00	8.79	10.95	13.43	16.20	19.22	20.81	22.44	25.80
	100	5.83	7.41	9.30	11.49	13.93	16.61	18.02	19.48	22.49
	110	4.74	6.10	7.74	9.64	11.77	14.12	15.37	16.65	19.34
	120	-	4.92	6.33	7.96	9.80	11.85	12.93	14.06	16.42
	130	-	-	5.09	6.48	8.06	9.82	10.76	11.74	13.80
	140	-	-	-	5.21	6.54	8.04	8.85	9.69	11.47
	150	-	-	-	-	5.22	6.48	7.16	7.88	9.40
136	80	8.29	10.14	12.42	15.13	18.26	21.79	23.71	25.72	30.02
	90	7.14	8.81	10.86	13.27	16.03	19.12	20.79	22.52	26.22
	100	6.01	7.49	9.29	11.40	13.81	16.50	17.94	19.44	22.61
	110	4.97	6.25	7.81	9.63	11.72	14.04	15.28	16.58	19.30
	120	-	5.13	6.46	8.02	9.81	11.80	12.87	13.98	16.32
	130	-	-	5.28	6.60	8.11	9.81	10.72	11.67	13.68
	140	-	-	-	5.36	6.63	8.07	8.84	9.65	11.36
	150	-	-	-	-	5.33	6.53	7.18	7.86	9.30
142	80	8.32	10.20	12.50	15.23	18.37	21.91	23.83	25.85	30.16
	90	7.18	8.86	10.92	13.34	16.11	19.21	20.89	22.63	26.35
	100	6.05	7.53	9.33	11.46	13.88	16.58	18.03	19.54	22.74
	110	5.00	6.28	7.84	9.68	11.77	14.11	15.36	16.66	19.41
	120	-	5.16	6.49	8.06	9.86	11.86	12.93	14.05	16.41
	130	-	-	5.30	6.63	8.16	9.86	10.78	11.74	13.75
	140	-	-	-	5.39	6.67	8.11	8.89	9.70	11.41
	150	-	-	-	4.30	5.36	6.56	7.21	7.90	9.34
155	80	8.62	10.60	13.01	15.83	19.02	22.56	24.45	26.41	30.52
	90	7.35	9.12	11.28	13.80	16.66	19.84	21.54	23.30	27.01
	100	6.11	7.66	9.55	11.76	14.28	17.08	18.59	20.15	23.45
	110	4.99	6.32	7.93	9.84	12.02	14.45	15.76	17.13	20.03
	120	-	5.12	6.49	8.10	9.96	12.05	13.18	14.36	16.88
	130	-	-	5.23	6.58	8.15	9.92	10.88	11.89	14.05
	140	-	-	-	5.28	6.58	8.06	8.87	9.73	11.56
	150	-	-	-	-	5.22	6.45	7.12	7.83	9.36

Table 24. EER (btu/watt-hr) — voltage 200-60-3 (continued)

Compr Size CSDHxxx	Cond Temp °F	Evaporator Temp °F								
		-10	0	10	20	30	40	45	50	60
161	80	8.65	10.64	13.07	15.90	19.10	22.65	24.54	26.50	30.63
	90	7.38	9.16	11.32	13.85	16.72	19.91	21.61	23.38	27.11
	100	6.14	7.69	9.58	11.80	14.33	17.14	18.65	20.22	23.54
	110	5.01	6.34	7.96	9.87	12.05	14.50	15.82	17.19	20.11
	120	-	5.14	6.51	8.13	9.99	12.09	13.22	14.41	16.94
	130	-	-	5.25	6.61	8.18	9.95	10.92	11.93	14.10
	140	-	-	-	5.30	6.61	8.10	8.91	9.76	11.60
	150	-	-	-	-	5.25	6.48	7.15	7.86	9.39
175	80	8.64	10.50	12.80	15.54	18.73	22.39	24.39	26.52	31.15
	90	7.45	9.12	11.17	13.59	16.38	19.52	21.23	23.04	26.91
	100	6.28	7.76	9.56	11.68	14.10	16.81	18.27	19.81	23.07
	110	5.19	6.49	8.05	9.89	11.98	14.31	15.56	16.87	19.64
	120	-	5.34	6.68	8.26	10.06	12.06	13.14	14.25	16.62
	130	-	-	5.48	6.82	8.36	10.07	10.99	11.95	13.97
	140	-	-	-	5.57	6.87	8.33	9.11	9.93	11.65
	150	-	-	-	-	5.55	6.78	7.45	8.14	9.60
183	80	8.69	10.55	12.87	15.62	18.83	22.50	24.52	26.66	31.32
	90	7.48	9.17	11.23	13.66	16.46	19.63	21.35	23.16	27.05
	100	6.31	7.80	9.61	11.74	14.17	16.90	18.37	19.91	23.19
	110	5.22	6.52	8.09	9.94	12.04	14.39	15.65	16.96	19.74
	120	-	5.37	6.72	8.30	10.11	12.12	13.20	14.33	16.70
	130	-	-	5.51	6.86	8.40	10.12	11.05	12.01	14.04
	140	-	-	-	5.59	6.90	8.37	9.16	9.98	11.71
	150	-	-	-	-	5.58	6.82	7.48	8.18	9.65



Performance Data

Table 25. EER (btu/watt-hr) — voltage 230-60-3

Compr Size CSDHxxx	Cond Temp °F	Evaporator Temp °F								
		-10	0	10	20	30	40	45	50	60
075	80	7.58	9.35	11.56	14.18	17.22	20.66	22.54	24.51	28.76
	90	6.43	8.04	10.01	12.35	15.07	18.15	19.83	21.60	25.42
	100	5.40	6.80	8.52	10.57	12.94	15.64	17.12	18.67	22.03
	110	4.49	5.68	7.15	8.91	10.95	13.27	14.54	15.89	18.78
	120	-	4.70	5.93	7.41	9.14	11.11	12.20	13.34	15.80
	130	-	-	4.87	6.10	7.54	9.20	10.12	11.08	13.16
	140	-	-	-	4.97	6.16	7.54	8.30	9.11	10.84
	150	-	-	-	-	4.96	6.09	6.72	7.38	8.82
089	80	7.56	9.60	12.11	15.05	18.41	22.15	24.15	26.24	30.64
	90	6.38	8.20	10.41	13.02	15.99	19.31	21.09	22.94	26.85
	100	5.27	6.84	8.76	11.02	13.61	16.51	18.06	19.69	23.12
	110	-	5.60	7.24	9.17	11.39	13.89	15.23	16.63	19.61
	120	-	4.52	5.89	7.52	9.40	11.52	12.67	13.87	16.43
	130	-	-	4.73	6.09	7.67	9.45	10.42	11.44	13.61
	140	-	-	-	4.87	6.18	7.66	8.47	9.32	11.15
	150	-	-	-	-	4.89	6.11	6.78	7.48	9.00
092	80	7.67	9.74	12.28	15.27	18.67	22.47	24.50	26.62	31.08
	90	6.47	8.31	10.56	13.21	16.22	19.59	21.39	23.27	27.24
	100	5.34	6.94	8.89	11.18	13.81	16.75	18.32	19.97	23.45
	110	-	5.68	7.34	9.31	11.56	14.09	15.45	16.87	19.89
	120	-	4.58	5.98	7.63	9.54	11.69	12.85	14.07	16.66
	130	-	-	4.80	6.18	7.78	9.59	10.57	11.60	13.80
	140	-	-	-	4.94	6.26	7.77	8.59	9.46	11.31
	150	-	-	-	-	4.96	6.20	6.88	7.59	9.13
103	80	8.43	10.58	13.27	16.47	20.14	24.13	26.16	28.18	31.98
	90	7.04	8.87	11.16	13.92	17.15	20.77	22.68	24.62	28.44
	100	5.87	7.42	9.34	11.68	14.45	17.62	19.33	21.10	24.71
	110	4.88	6.18	7.79	9.74	12.07	14.77	16.25	17.80	21.06
	120	-	5.11	6.44	8.06	10.00	12.26	13.51	14.83	17.67
	130	-	-	5.28	6.61	8.20	10.07	11.11	12.22	14.62
	140	-	-	-	5.35	6.65	8.18	9.03	9.95	11.95
	150	-	-	-	-	5.30	6.55	7.24	7.99	9.64
105	80	7.77	9.58	11.83	14.52	17.69	21.35	23.37	25.53	30.26
	90	6.70	8.35	10.38	12.78	15.56	18.71	20.42	22.23	26.11
	100	5.64	7.11	8.91	11.02	13.44	16.15	17.61	19.13	22.36
	110	4.65	5.93	7.50	9.34	11.44	13.76	15.00	16.29	19.00
	120	-	4.87	6.22	7.80	9.60	11.59	12.65	13.75	16.04
	130	-	-	5.08	6.43	7.96	9.67	10.57	11.50	13.45
	140	-	-	-	5.23	6.53	7.97	8.74	9.53	11.18
	150	-	-	-	-	5.26	6.47	7.11	7.78	9.17

Table 25. EER (btu/watt-hr) — voltage 230-60-3 (continued)

Compr Size CSDHxxx	Cond Temp °F	Evaporator Temp °F								
		-10	0	10	20	30	40	45	50	60
110	80	7.97	9.82	12.13	14.90	18.14	21.89	23.97	26.18	31.03
	90	6.87	8.57	10.65	13.11	15.96	19.19	20.94	22.79	26.78
	100	5.78	7.29	9.14	11.30	13.79	16.56	18.06	19.62	22.93
	110	4.76	6.08	7.69	9.58	11.73	14.11	15.39	16.71	19.49
	120	-	4.99	6.37	8.00	9.85	11.89	12.98	14.10	16.45
	130	-	-	5.21	6.59	8.17	9.91	10.84	11.80	13.79
	140	-	-	-	5.36	6.69	8.17	8.96	9.78	11.47
	150	-	-	-	-	5.39	6.63	7.30	7.98	9.41
120	80	8.12	10.13	12.54	15.33	18.43	21.79	23.56	25.36	29.08
	90	6.98	8.78	10.93	13.41	16.17	19.19	20.77	22.40	25.76
	100	5.82	7.40	9.28	11.46	13.91	16.58	17.99	19.44	22.45
	110	4.73	6.09	7.73	9.62	11.75	14.10	15.34	16.63	19.30
	120	-	4.92	6.32	7.94	9.79	11.83	12.91	14.04	16.39
	130	-	-	5.08	6.47	8.05	9.80	10.74	11.72	13.78
	140	-	-	-	5.20	6.53	8.03	8.83	9.67	11.45
	150	-	-	-	-	5.21	6.47	7.15	7.86	9.38
125	80	8.17	10.18	12.61	15.41	18.53	21.91	23.68	25.50	29.24
	90	7.02	8.82	10.99	13.48	16.26	19.29	20.89	22.52	25.90
	100	5.86	7.44	9.34	11.53	13.98	16.67	18.09	19.55	22.58
	110	4.76	6.12	7.77	9.67	11.82	14.18	15.43	16.72	19.41
	120	-	4.94	6.35	7.99	9.84	11.89	12.98	14.11	16.49
	130	-	-	5.11	6.51	8.09	9.86	10.80	11.78	13.85
	140	-	-	-	5.22	6.57	8.07	8.88	9.73	11.52
	150	-	-	-	-	5.24	6.51	7.19	7.91	9.43
136	80	8.31	10.17	12.46	15.18	18.32	21.86	23.78	25.80	30.11
	90	7.16	8.84	10.89	13.31	16.08	19.18	20.85	22.59	26.30
	100	6.03	7.51	9.32	11.44	13.86	16.55	18.00	19.50	22.68
	110	4.99	6.27	7.83	9.66	11.76	14.08	15.33	16.63	19.36
	120	-	5.15	6.48	8.05	9.84	11.84	12.91	14.02	16.37
	130	-	-	5.29	6.62	8.14	9.84	10.76	11.71	13.72
	140	-	-	-	5.37	6.65	8.09	8.87	9.68	11.39
	150	-	-	-	-	5.35	6.55	7.20	7.88	9.33
142	80	8.35	10.23	12.54	15.27	18.42	21.97	23.89	25.92	30.25
	90	7.20	8.88	10.95	13.37	16.15	19.27	20.94	22.70	26.42
	100	6.06	7.55	9.36	11.49	13.92	16.63	18.08	19.60	22.80
	110	5.02	6.30	7.86	9.70	11.81	14.15	15.40	16.71	19.46
	120	-	5.17	6.51	8.08	9.88	11.89	12.97	14.09	16.46
	130	-	-	5.32	6.65	8.18	9.89	10.81	11.77	13.79
	140	-	-	-	5.40	6.69	8.13	8.91	9.73	11.45
	150	-	-	-	4.31	5.38	6.58	7.23	7.92	9.36



Performance Data

Table 25. EER (btu/watt-hr) — voltage 230-60-3 (continued)

Compr Size CSHDxxx	Cond Temp °F	Evaporator Temp °F								
		-10	0	10	20	30	40	45	50	60
155	80	8.65	10.63	13.05	15.88	19.08	22.63	24.53	26.49	30.61
	90	7.37	9.15	11.31	13.84	16.71	19.90	21.60	23.37	27.09
	100	6.13	7.69	9.58	11.80	14.32	17.14	18.64	20.21	23.52
	110	5.01	6.34	7.96	9.87	12.05	14.50	15.81	17.19	20.09
	120	-	5.14	6.51	8.13	9.99	12.09	13.22	14.40	16.93
	130	-	-	5.25	6.60	8.17	9.95	10.91	11.93	14.09
	140	-	-	-	5.29	6.60	8.09	8.90	9.76	11.59
	150	-	-	-	-	5.24	6.47	7.14	7.86	9.39
161	80	8.68	10.68	13.12	15.96	19.17	22.73	24.63	26.60	30.74
	90	7.40	9.19	11.36	13.90	16.78	19.98	21.69	23.47	27.21
	100	6.16	7.72	9.62	11.84	14.38	17.20	18.72	20.30	23.63
	110	5.03	6.36	7.99	9.91	12.10	14.55	15.88	17.26	20.19
	120	-	5.16	6.53	8.16	10.03	12.13	13.27	14.47	17.01
	130	-	-	5.27	6.63	8.21	9.99	10.96	11.98	14.16
	140	-	-	-	5.32	6.63	8.13	8.94	9.80	11.64
	150	-	-	-	-	5.27	6.50	7.17	7.89	9.43
175	80	8.67	10.53	12.84	15.59	18.79	22.45	24.47	26.60	31.25
	90	7.47	9.15	11.21	13.63	16.43	19.58	21.30	23.11	26.99
	100	6.29	7.78	9.59	11.72	14.14	16.86	18.33	19.87	23.14
	110	5.21	6.50	8.08	9.92	12.01	14.35	15.61	16.92	19.70
	120	-	5.36	6.70	8.29	10.09	12.10	13.18	14.30	16.67
	130	-	-	5.50	6.84	8.38	10.10	11.02	11.98	14.01
	140	-	-	-	5.58	6.89	8.35	9.14	9.96	11.69
	150	-	-	-	-	5.57	6.80	7.47	8.16	9.63
183	80	8.71	10.59	12.91	15.67	18.89	22.57	24.59	26.74	31.41
	90	7.51	9.20	11.27	13.70	16.51	19.69	21.41	23.23	27.13
	100	6.33	7.82	9.64	11.78	14.22	16.95	18.42	19.97	23.26
	110	5.24	6.54	8.12	9.97	12.08	14.43	15.69	17.01	19.80
	120	-	5.38	6.74	8.33	10.14	12.16	13.24	14.37	16.75
	130	-	-	5.52	6.88	8.43	10.15	11.08	12.05	14.08
	140	-	-	-	5.61	6.92	8.40	9.19	10.01	11.75
	150	-	-	-	-	5.60	6.84	7.51	8.21	9.68

Performance Data

Table 26. EER (btu/watt-hr) — voltage 400-50-3

Compr Size CSDHxxx	Cond Temp °F	Evaporator Temp °F								
		-10	0	10	20	30	40	45	50	60
075	80	3.02	5.96	9.39	13.21	17.27	21.38	23.38	25.31	28.88
	90	6.34	8.05	10.14	12.60	15.44	18.64	20.38	22.20	26.09
	100	7.96	8.58	9.69	11.28	13.36	15.94	17.44	19.09	22.89
	110	7.41	7.63	8.35	9.56	11.23	13.42	14.72	16.17	19.57
	120	-	5.82	6.58	7.72	9.23	11.15	12.27	13.52	16.40
	130	-	-	4.78	5.98	7.43	9.16	10.14	11.19	13.52
	140	-	-	-	4.44	5.87	7.46	8.30	9.17	10.99
	150	-	-	-	-	4.53	5.99	6.71	7.42	8.78
089	80	8.04	9.97	12.36	15.22	18.57	22.44	24.58	26.85	31.85
	90	6.77	8.48	10.58	13.09	15.99	19.31	21.12	23.04	27.21
	100	5.57	7.05	8.88	11.04	13.54	16.37	17.90	19.52	23.01
	110	-	5.77	7.33	9.18	11.30	13.71	15.01	16.37	19.30
	120	-	4.64	5.97	7.53	9.33	11.36	12.46	13.61	16.07
	130	-	-	4.80	6.11	7.63	9.34	10.26	11.23	13.29
	140	-	-	-	4.91	6.17	7.60	8.38	9.19	10.92
	150	-	-	-	-	4.92	6.11	6.75	7.42	8.86
092	80	8.16	10.11	12.54	15.44	18.85	22.77	24.94	27.25	32.31
	90	6.87	8.60	10.74	13.28	16.23	19.59	21.43	23.38	27.60
	100	5.65	7.16	9.01	11.20	13.74	16.61	18.17	19.81	23.35
	110	4.55	5.85	7.44	9.31	11.47	13.91	15.23	16.61	19.58
	120	-	4.71	6.05	7.64	9.47	11.53	12.64	13.81	16.30
	130	-	-	4.87	6.20	7.74	9.47	10.41	11.39	13.49
	140	-	-	-	4.98	6.26	7.71	8.50	9.32	11.08
	150	-	-	-	-	5.00	6.20	6.85	7.53	8.99
103	80	7.97	10.28	13.01	16.26	20.09	24.57	27.07	29.75	35.63
	90	6.57	8.56	10.89	13.64	16.88	20.67	22.78	25.05	30.06
	100	5.37	7.09	9.08	11.41	14.14	17.32	19.10	21.02	25.25
	110	4.33	5.81	7.50	9.47	11.76	14.43	15.93	17.53	21.09
	120	-	4.68	6.12	7.78	9.70	11.93	13.18	14.51	17.48
	130	-	-	4.91	6.30	7.90	9.76	10.79	11.90	14.37
	140	-	-	-	4.99	6.33	7.86	8.72	9.64	11.68
	150	-	-	-	-	4.94	6.21	6.92	7.67	9.35
105	80	7.23	9.21	11.67	14.58	17.90	21.59	23.56	25.60	29.89
	90	6.26	8.03	10.20	12.75	15.66	18.88	20.60	22.37	26.09
	100	5.32	6.86	8.74	10.95	13.46	16.23	17.71	19.24	22.44
	110	-	5.77	7.37	9.25	11.39	13.76	15.02	16.32	19.06
	120	-	4.79	6.14	7.72	9.52	11.52	12.58	13.69	16.00
	130	-	-	5.05	6.37	7.87	9.54	10.43	11.36	13.30
	140	-	-	-	5.20	6.43	7.81	8.55	9.32	10.95
	150	-	-	-	-	5.18	6.30	6.91	7.54	8.87



Performance Data

Table 26. EER (btu/watt-hr) — voltage 400-50-3 (continued)

Compr Size CSDHxxx	Cond Temp °F	Evaporator Temp °F								
		-10	0	10	20	30	40	45	50	60
110	80	7.36	9.40	11.94	14.95	18.38	22.18	24.20	26.30	30.70
	90	6.49	8.30	10.54	13.18	16.18	19.50	21.26	23.08	26.89
	100	5.52	7.10	9.05	11.33	13.92	16.78	18.30	19.87	23.15
	110	-	5.94	7.60	9.55	11.76	14.20	15.49	16.84	19.64
	120	-	-	6.28	7.92	9.79	11.85	12.95	14.08	16.46
	130	-	-	-	6.51	8.06	9.79	10.71	11.66	13.66
	140	-	-	-	-	6.60	8.02	8.78	9.57	11.23
	150	-	-	-	-	-	6.54	7.16	7.80	9.17
120	80	8.41	10.45	12.97	15.98	19.47	23.45	25.62	27.93	32.91
	90	7.08	8.89	11.11	13.74	16.78	20.23	22.10	24.08	28.34
	100	5.83	7.40	9.33	11.60	14.21	17.17	18.78	20.47	24.10
	110	4.72	6.06	7.70	9.64	11.87	14.39	15.76	17.20	20.28
	120	-	4.90	6.28	7.91	9.80	11.93	13.09	14.30	16.91
	130	-	-	5.06	6.43	8.01	9.80	10.77	11.79	13.98
	140	-	-	-	5.16	6.48	7.97	8.78	9.64	11.47
	150	-	-	-	-	5.16	6.39	7.06	7.77	9.29
125	80	8.44	10.50	13.04	16.06	19.56	23.56	25.74	28.05	33.05
	90	7.11	8.93	11.16	13.80	16.85	20.32	22.20	24.19	28.48
	100	5.86	7.44	9.37	11.65	14.28	17.25	18.86	20.56	24.22
	110	4.75	6.09	7.74	9.68	11.92	14.46	15.83	17.28	20.38
	120	-	4.92	6.31	7.95	9.84	11.98	13.15	14.37	16.99
	130	-	-	5.08	6.46	8.04	9.84	10.82	11.85	14.05
	140	-	-	-	5.19	6.51	8.01	8.82	9.68	11.52
	150	-	-	-	-	5.19	6.42	7.09	7.80	9.33
136	80	8.33	10.21	12.57	15.41	18.75	22.64	24.79	27.09	32.16
	90	7.11	8.79	10.88	13.37	16.28	19.62	21.46	23.42	27.68
	100	5.93	7.40	9.21	11.37	13.88	16.74	18.30	19.96	23.54
	110	4.84	6.11	7.67	9.51	11.65	14.08	15.41	16.81	19.82
	120	-	4.96	6.28	7.85	9.66	11.72	12.84	14.01	16.55
	130	-	-	5.08	6.39	7.92	9.65	10.59	11.59	13.71
	140	-	-	-	5.15	6.42	7.87	8.66	9.49	11.28
	150	-	-	-	-	5.12	6.32	6.98	7.67	9.15
142	80	8.37	10.27	12.65	15.50	18.86	22.76	24.92	27.23	32.32
	90	7.15	8.84	10.94	13.44	16.36	19.72	21.57	23.54	27.83
	100	5.96	7.44	9.26	11.43	13.95	16.82	18.39	20.06	23.67
	110	4.87	6.14	7.70	9.56	11.71	14.15	15.49	16.90	19.93
	120	-	4.99	6.31	7.89	9.71	11.78	12.90	14.09	16.64
	130	-	-	5.10	6.43	7.96	9.70	10.65	11.65	13.79
	140	-	-	-	5.17	6.46	7.91	8.71	9.54	11.33
	150	-	-	-	-	5.15	6.36	7.01	7.71	9.20

Table 26. EER (btu/watt-hr) — voltage 400-50-3 (continued)

Compr Size CSDHxxx	Cond Temp °F	Evaporator Temp °F								
		-10	0	10	20	30	40	45	50	60
155	80	8.42	10.50	13.07	16.13	19.68	23.69	25.86	28.15	33.05
	90	7.07	8.96	11.28	14.01	17.14	20.65	22.53	24.50	28.66
	100	5.78	7.43	9.46	11.84	14.56	17.59	19.21	20.89	24.42
	110	4.62	6.02	7.75	9.79	12.12	14.71	16.09	17.52	20.51
	120	-	4.80	6.24	7.96	9.93	12.12	13.29	14.50	17.02
	130	-	-	4.95	6.37	8.01	9.85	10.83	11.85	13.98
	140	-	-	-	5.03	6.38	7.90	8.72	9.58	11.36
	150	-	-	-	-	4.99	6.24	6.91	7.61	9.09
161	80	8.45	10.55	13.14	16.22	19.77	23.79	25.98	28.27	33.19
	90	7.11	9.00	11.33	14.07	17.21	20.74	22.63	24.60	28.78
	100	5.81	7.47	9.50	11.89	14.62	17.67	19.29	20.98	24.53
	110	4.64	6.05	7.79	9.83	12.17	14.77	16.16	17.60	20.60
	120	-	4.82	6.27	7.99	9.97	12.17	13.34	14.56	17.10
	130	-	-	4.97	6.40	8.05	9.89	10.88	11.90	14.04
	140	-	-	-	5.05	6.41	7.94	8.76	9.62	11.41
	150	-	-	-	-	5.02	6.27	6.94	7.65	9.13
175	80	8.64	10.55	12.91	15.72	19.00	22.74	24.79	26.97	31.69
	90	7.36	9.09	11.20	13.69	16.54	19.75	21.48	23.29	27.17
	100	6.12	7.65	9.51	11.68	14.15	16.89	18.36	19.89	23.10
	110	4.98	6.31	7.92	9.80	11.92	14.27	15.51	16.81	19.50
	120	-	5.13	6.50	8.10	9.92	11.92	12.98	14.08	16.36
	130	-	-	5.27	6.63	8.17	9.87	10.77	11.70	13.63
	140	-	-	-	5.35	6.65	8.09	8.85	9.64	11.28
	150	-	-	-	-	5.33	6.53	7.17	7.84	9.22
183	80	8.69	10.60	12.98	15.81	19.10	22.86	24.92	27.11	31.86
	90	7.40	9.14	11.26	13.76	16.63	19.85	21.59	23.42	27.31
	100	6.15	7.69	9.56	11.74	14.22	16.98	18.45	19.99	23.22
	110	5.01	6.34	7.96	9.85	11.98	14.34	15.60	16.89	19.60
	120	-	5.16	6.53	8.15	9.97	11.98	13.05	14.15	16.44
	130	-	-	5.30	6.66	8.21	9.92	10.83	11.76	13.70
	140	-	-	-	5.38	6.68	8.13	8.90	9.69	11.34
	150	-	-	-	-	5.36	6.57	7.21	7.88	9.26



Performance Data

Table 27. EER (btu/watt-hr) — voltage 460-60-3

Compr Size CSDHxxx	Cond Temp °F	Evaporator Temp °F								
		-10	0	10	20	30	40	45	50	60
075	80	7.58	9.35	11.56	14.18	17.22	20.66	22.54	24.51	28.76
	90	6.43	8.04	10.01	12.35	15.07	18.15	19.83	21.60	25.42
	100	5.40	6.80	8.52	10.57	12.94	15.64	17.12	18.67	22.03
	110	4.49	5.68	7.15	8.91	10.95	13.27	14.54	15.89	18.78
	120	-	4.70	5.93	7.41	9.14	11.11	12.20	13.34	15.80
	130	-	-	4.87	6.10	7.54	9.20	10.12	11.08	13.16
	140	-	-	-	4.97	6.16	7.54	8.30	9.11	10.84
	150	-	-	-	-	4.96	6.09	6.72	7.38	8.82
089	80	7.63	9.70	12.22	15.20	18.59	22.36	24.39	26.49	30.93
	90	6.44	8.28	10.51	13.14	16.15	19.50	21.29	23.16	27.11
	100	5.32	6.90	8.85	11.13	13.74	16.67	18.24	19.88	23.34
	110	-	5.65	7.31	9.26	11.50	14.02	15.38	16.79	19.80
	120	-	4.56	5.95	7.60	9.49	11.63	12.79	14.00	16.58
	130	-	-	4.78	6.15	7.74	9.54	10.52	11.55	13.74
	140	-	-	-	4.92	6.24	7.74	8.55	9.41	11.26
	150	-	-	-	-	4.94	6.17	6.84	7.55	9.08
092	80	7.75	9.84	12.41	15.43	18.87	22.70	24.76	26.90	31.40
	90	6.54	8.40	10.67	13.34	16.39	19.79	21.62	23.51	27.52
	100	5.40	7.01	8.98	11.30	13.95	16.92	18.52	20.18	23.70
	110	-	5.74	7.42	9.40	11.68	14.23	15.61	17.05	20.10
	120	-	4.63	6.04	7.71	9.64	11.81	12.99	14.22	16.84
	130	-	-	4.85	6.24	7.86	9.69	10.68	11.72	13.95
	140	-	-	-	4.99	6.33	7.85	8.68	9.56	11.43
	150	-	-	-	-	5.01	6.26	6.95	7.67	9.22
105	80	7.85	9.68	11.95	14.68	17.87	21.57	23.61	25.79	30.57
	90	6.77	8.44	10.49	12.92	15.72	18.90	20.63	22.46	26.38
	100	5.70	7.19	9.00	11.14	13.58	16.32	17.79	19.33	22.59
	110	4.69	6.00	7.58	9.44	11.55	13.91	15.16	16.46	19.20
	120	-	4.92	6.28	7.88	9.70	11.71	12.79	13.89	16.21
	130	-	-	5.13	6.49	8.05	9.77	10.68	11.62	13.59
	140	-	-	-	5.28	6.59	8.05	8.83	9.63	11.30
	150	-	-	-	-	5.31	6.54	7.19	7.86	9.27
110	80	8.05	9.92	12.25	15.05	18.33	22.12	24.21	26.44	31.34
	90	6.94	8.65	10.75	13.24	16.12	19.38	21.16	23.03	27.05
	100	5.84	7.37	9.23	11.42	13.93	16.73	18.24	19.82	23.16
	110	4.81	6.15	7.77	9.68	11.85	14.26	15.54	16.88	19.69
	120	-	5.04	6.44	8.08	9.95	12.01	13.11	14.25	16.62
	130	-	-	5.26	6.66	8.25	10.01	10.95	11.92	13.93
	140	-	-	-	5.41	6.76	8.26	9.05	9.87	11.58
	150	-	-	-	4.32	5.45	6.70	7.37	8.06	9.50

Table 27. EER (btu/watt-hr) — voltage 460-60-3 (continued)

Compr Size CSDHxxx	Cond Temp °F	Evaporator Temp °F								
		-10	0	10	20	30	40	45	50	60
120	80	8.20	10.23	12.67	15.48	18.61	22.01	23.79	25.62	29.38
	90	7.06	8.86	11.04	13.54	16.34	19.38	20.98	22.63	26.02
	100	5.88	7.47	9.38	11.58	14.05	16.75	18.17	19.64	22.68
	110	4.78	6.15	7.80	9.72	11.87	14.24	15.50	16.79	19.50
	120	-	4.97	6.38	8.02	9.89	11.95	13.04	14.18	16.56
	130	-	-	5.13	6.53	8.13	9.90	10.85	11.84	13.92
	140	-	-	-	5.25	6.60	8.11	8.92	9.77	11.57
	150	-	-	-	-	5.27	6.54	7.22	7.94	9.48
125	80	8.25	10.29	12.74	15.57	18.72	22.13	23.93	25.76	29.54
	90	7.09	8.91	11.10	13.62	16.43	19.49	21.10	22.75	26.16
	100	5.92	7.51	9.43	11.65	14.13	16.84	18.27	19.75	22.81
	110	4.80	6.19	7.85	9.77	11.94	14.32	15.58	16.89	19.61
	120	-	4.99	6.41	8.07	9.94	12.01	13.11	14.26	16.65
	130	-	-	5.16	6.57	8.17	9.96	10.91	11.90	13.99
	140	-	-	-	5.28	6.64	8.16	8.97	9.83	11.63
	150	-	-	-	-	5.30	6.57	7.26	7.99	9.53
136	80	8.40	10.27	12.59	15.33	18.50	22.08	24.02	26.06	30.42
	90	7.23	8.93	11.00	13.45	16.24	19.37	21.06	22.82	26.56
	100	6.09	7.59	9.41	11.55	14.00	16.72	18.18	19.70	22.91
	110	5.04	6.33	7.91	9.76	11.87	14.23	15.49	16.80	19.56
	120	-	5.20	6.55	8.13	9.94	11.96	13.04	14.17	16.53
	130	-	-	5.35	6.68	8.22	9.94	10.87	11.83	13.86
	140	-	-	-	5.43	6.72	8.17	8.96	9.78	11.51
	150	-	-	-	-	5.40	6.61	7.27	7.96	9.42
142	80	8.43	10.33	12.66	15.42	18.60	22.19	24.14	26.18	30.56
	90	7.27	8.97	11.06	13.51	16.32	19.46	21.16	22.93	26.69
	100	6.13	7.63	9.46	11.61	14.06	16.79	18.26	19.79	23.03
	110	5.07	6.36	7.94	9.80	11.93	14.29	15.56	16.88	19.66
	120	-	5.23	6.58	8.17	9.98	12.01	13.10	14.24	16.62
	130	-	-	5.37	6.72	8.26	9.99	10.92	11.89	13.93
	140	-	-	4.33	5.46	6.75	8.22	9.00	9.82	11.56
	150	-	-	-	4.36	5.43	6.65	7.31	8.00	9.46
155	80	8.73	10.74	13.18	16.04	19.28	22.86	24.78	26.76	30.92
	90	7.44	9.24	11.43	13.98	16.88	20.10	21.82	23.61	27.37
	100	6.19	7.77	9.68	11.92	14.47	17.31	18.83	20.42	23.76
	110	5.06	6.40	8.04	9.97	12.17	14.64	15.97	17.36	20.30
	120	-	5.19	6.57	8.21	10.09	12.21	13.35	14.55	17.10
	130	-	-	5.30	6.67	8.25	10.05	11.02	12.05	14.23
	140	-	-	-	5.35	6.67	8.17	8.99	9.86	11.71
	150	-	-	-	-	5.29	6.53	7.22	7.94	9.49



Performance Data

Table 27. EER (btu/watt-hr) — voltage 460-60-3 (continued)

Compr Size CSDHxxx	Cond Temp °F	Evaporator Temp °F								
		-10	0	10	20	30	40	45	50	60
161	80	8.76	10.79	13.25	16.12	19.37	22.96	24.88	26.87	31.04
	90	7.48	9.28	11.48	14.04	16.95	20.18	21.91	23.70	27.48
	100	6.23	7.80	9.72	11.96	14.52	17.38	18.91	20.50	23.87
	110	5.08	6.43	8.07	10.00	12.22	14.70	16.04	17.43	20.39
	120	-	5.21	6.60	8.24	10.13	12.26	13.41	14.61	17.18
	130	-	-	5.32	6.70	8.29	10.09	11.07	12.10	14.30
	140	-	-	-	5.37	6.70	8.21	9.03	9.90	11.76
	150	-	-	-	-	5.32	6.56	7.25	7.97	9.52
175	80	8.66	10.53	12.83	15.58	18.78	22.44	24.46	26.59	31.24
	90	7.47	9.15	11.20	13.63	16.42	19.58	21.29	23.10	26.98
	100	6.29	7.78	9.59	11.71	14.14	16.86	18.32	19.86	23.13
	110	5.21	6.50	8.07	9.91	12.01	14.35	15.61	16.92	19.69
	120	-	5.35	6.70	8.28	10.08	12.09	13.17	14.29	16.66
	130	-	-	5.49	6.84	8.38	10.10	11.02	11.98	14.00
	140	-	-	-	5.58	6.89	8.35	9.13	9.95	11.68
	150	-	-	-	-	5.57	6.80	7.47	8.16	9.63
183	80	8.71	10.58	12.90	15.66	18.88	22.56	24.58	26.73	31.40
	90	7.50	9.19	11.26	13.70	16.50	19.68	21.40	23.22	27.12
	100	6.32	7.82	9.64	11.77	14.21	16.94	18.42	19.96	23.25
	110	5.23	6.54	8.12	9.97	12.07	14.42	15.69	17.00	19.80
	120	-	5.38	6.74	8.33	10.14	12.16	13.24	14.37	16.75
	130	-	-	5.52	6.88	8.42	10.15	11.08	12.04	14.08
	140	-	-	-	5.61	6.92	8.39	9.18	10.01	11.75
	150	-	-	-	-	5.60	6.84	7.50	8.20	9.68

Table 28. EER (btu/watt-hr) — voltage 575-60-3

Compr Size CSDHxxx	Cond Temp °F	Evaporator Temp °F								
		-10	0	10	20	30	40	45	50	60
089	80	7.63	9.70	12.22	15.20	18.59	22.36	24.39	26.49	30.93
	90	6.44	8.28	10.51	13.14	16.15	19.50	21.29	23.16	27.11
	100	5.32	6.90	8.85	11.13	13.74	16.67	18.24	19.88	23.34
	110	-	5.65	7.31	9.26	11.50	14.02	15.38	16.79	19.80
	120	-	4.56	5.95	7.60	9.49	11.63	12.79	14.00	16.58
	130	-	-	4.78	6.15	7.74	9.54	10.52	11.55	13.74
	140	-	-	-	4.92	6.24	7.74	8.55	9.41	11.26
	150	-	-	-	-	4.94	6.17	6.84	7.55	9.08
092	80	7.75	9.84	12.41	15.43	18.87	22.70	24.76	26.90	31.40
	90	6.54	8.40	10.67	13.34	16.39	19.79	21.62	23.51	27.52
	100	5.40	7.01	8.98	11.30	13.95	16.92	18.52	20.18	23.70
	110	-	5.74	7.42	9.40	11.68	14.23	15.61	17.05	20.10
	120	-	4.63	6.04	7.71	9.64	11.81	12.99	14.22	16.84
	130	-	-	4.85	6.24	7.86	9.69	10.68	11.72	13.95
	140	-	-	-	4.99	6.33	7.85	8.68	9.56	11.43
	150	-	-	-	-	5.01	6.26	6.95	7.67	9.22
105	80	7.85	9.68	11.95	14.68	17.87	21.57	23.61	25.79	30.57
	90	6.77	8.44	10.49	12.92	15.72	18.90	20.63	22.46	26.38
	100	5.70	7.19	9.00	11.14	13.58	16.32	17.79	19.33	22.59
	110	4.69	6.00	7.58	9.44	11.55	13.91	15.16	16.46	19.20
	120	-	4.92	6.28	7.88	9.70	11.71	12.79	13.89	16.21
	130	-	-	5.13	6.49	8.05	9.77	10.68	11.62	13.59
	140	-	-	-	5.28	6.59	8.05	8.83	9.63	11.30
	150	-	-	-	-	5.31	6.54	7.19	7.86	9.27
110	80	8.05	9.92	12.25	15.05	18.33	22.12	24.21	26.44	31.34
	90	6.94	8.65	10.75	13.24	16.12	19.38	21.16	23.03	27.05
	100	5.84	7.37	9.23	11.42	13.93	16.73	18.24	19.82	23.16
	110	4.81	6.15	7.77	9.68	11.85	14.26	15.54	16.88	19.69
	120	-	5.04	6.44	8.08	9.95	12.01	13.11	14.25	16.62
	130	-	-	5.26	6.66	8.25	10.01	10.95	11.92	13.93
	140	-	-	-	5.41	6.76	8.26	9.05	9.87	11.58
	150	-	-	-	4.32	5.45	6.70	7.37	8.06	9.50
125	80	8.25	10.29	12.74	15.57	18.72	22.13	23.93	25.76	29.54
	90	7.09	8.91	11.10	13.62	16.43	19.49	21.10	22.75	26.16
	100	5.92	7.51	9.43	11.65	14.13	16.84	18.27	19.75	22.81
	110	4.80	6.19	7.85	9.77	11.94	14.32	15.58	16.89	19.61
	120	-	4.99	6.41	8.07	9.94	12.01	13.11	14.26	16.65
	130	-	-	5.16	6.57	8.17	9.96	10.91	11.90	13.99
	140	-	-	-	5.28	6.64	8.16	8.97	9.83	11.63
	150	-	-	-	-	5.30	6.57	7.26	7.99	9.53



Performance Data

Table 28. EER (btu/watt-hr) — voltage 575-60-3 (continued)

Compr Size CSDHxxx	Cond Temp °F	Evaporator Temp °F								
		-10	0	10	20	30	40	45	50	60
142	80	8.43	10.33	12.66	15.42	18.60	22.19	24.14	26.18	30.56
	90	7.27	8.97	11.06	13.51	16.32	19.46	21.16	22.93	26.69
	100	6.13	7.63	9.46	11.61	14.06	16.79	18.26	19.79	23.03
	110	5.07	6.36	7.94	9.80	11.93	14.29	15.56	16.88	19.66
	120	-	5.23	6.58	8.17	9.98	12.01	13.10	14.24	16.62
	130	-	-	5.37	6.72	8.26	9.99	10.92	11.89	13.93
	140	-	-	4.33	5.46	6.75	8.22	9.00	9.82	11.56
	150	-	-	-	4.36	5.43	6.65	7.31	8.00	9.46
161	80	8.76	10.79	13.25	16.12	19.37	22.96	24.88	26.87	31.04
	90	7.48	9.28	11.48	14.04	16.95	20.18	21.91	23.70	27.48
	100	6.23	7.80	9.72	11.96	14.52	17.38	18.91	20.50	23.87
	110	5.08	6.43	8.07	10.00	12.22	14.70	16.04	17.43	20.39
	120	-	5.21	6.60	8.24	10.13	12.26	13.41	14.61	17.18
	130	-	-	5.32	6.70	8.29	10.09	11.07	12.10	14.30
	140	-	-	-	5.37	6.70	8.21	9.03	9.90	11.76
	150	-	-	-	-	5.32	6.56	7.25	7.97	9.52

AHRI 10 Coefficients

- Superheat: 20°F
- Subcooling: 15°F
- Equations are of the form:

$$\text{VALUE} = C1 + C2 * T_e + C3 * T_c + C4 * T_e^2 + C5 * T_e * T_c + C6 * T_c^2 + C7 * T_e^3 + C8 * T_e^2 * T_c + C9 * T_e * T_c^2 + C10 * T_c^3$$

Where:

- T_c = Saturated condensing temperature (°F) and
- T_e = Saturated evaporating temperature (°F)

Table 29. Coefficients 200-60-3

Compr Size CSDHxxx		Coefficients									
		C1	C2	C3	C4	C5	C6	C7	C8	C9	C10
075	Capacity	1.26E+04	8.49E+02	1.03E+03	1.38E+01	4.65E+00	-1.15E+01	-1.07E-03	-4.03E-02	-4.62E-02	3.42E-02
	Power	4.91E+03	2.11E+01	-5.49E+01	-1.21E-01	-1.83E-01	5.88E-01	1.92E-04	8.18E-04	4.86E-04	-3.19E-04
	Amps	2.54E+01	5.42E-02	-2.12E-01	-1.87E-04	-6.31E-04	1.77E-03	5.09E-07	8.63E-07	2.63E-06	-8.45E-07
	Flow	-9.55E+01	6.32E+00	1.64E+01	1.06E-01	8.57E-02	-1.56E-01	-6.75E-05	6.61E-05	-4.47E-04	4.71E-04
089	Capacity	5.13E+04	9.98E+02	7.84E+01	1.64E+01	4.50E+00	-2.66E+00	4.12E-03	-5.51E-02	-4.35E-02	5.87E-03
	Power	5.32E+03	-5.70E+00	-6.08E+01	1.82E-02	2.67E-01	6.40E-01	-2.72E-15	3.08E-04	-1.72E-03	5.47E-14
	Amps	3.02E+01	-9.18E-02	-3.05E-01	-7.44E-04	2.40E-03	2.29E-03	-4.72E-17	7.32E-06	-1.34E-05	-6.20E-16
	Flow	4.94E+02	8.16E+00	8.82E-01	1.29E-01	7.28E-02	-6.38E-03	-1.10E-05	-4.09E-05	-3.00E-04	-1.62E-05
092	Capacity	5.44E+04	1.06E+03	7.90E+01	1.74E+01	4.70E+00	-2.77E+00	4.40E-03	-5.85E-02	-4.57E-02	6.03E-03
	Power	5.55E+03	-5.94E+00	-6.34E+01	1.90E-02	2.78E-01	6.67E-01	1.12E-14	3.22E-04	-1.79E-03	4.23E-14
	Amps	3.15E+01	-9.57E-02	-3.18E-01	-7.76E-04	2.50E-03	2.38E-03	2.59E-17	7.63E-06	-1.40E-05	5.55E-17
	Flow	5.20E+02	8.58E+00	1.04E+00	1.36E-01	7.84E-02	-7.98E-03	-1.25E-05	-3.73E-05	-3.26E-04	-1.25E-05
105	Capacity	6.00E+04	1.10E+03	1.11E+02	1.80E+01	5.44E+00	-2.91E+00	4.78E-03	-5.64E-02	-4.98E-02	5.54E-03
	Power	6.92E+03	-2.13E+01	-7.62E+01	-6.18E-01	8.20E-01	7.41E-01	-4.13E-15	6.55E-03	-5.34E-03	-2.64E-13
	Amps	3.01E+01	4.11E-02	-2.24E-01	1.15E-04	-1.83E-04	1.94E-03	2.68E-17	-1.61E-06	1.10E-06	5.91E-16
	Flow	5.67E+02	9.25E+00	1.49E+00	1.38E-01	7.94E-02	-7.89E-03	-8.01E-06	4.56E-05	-3.16E-04	-1.76E-05
110	Capacity	6.37E+04	1.17E+03	1.18E+02	1.91E+01	5.78E+00	-3.09E+00	5.08E-03	-5.99E-02	-5.29E-02	5.89E-03
	Power	7.17E+03	-2.21E+01	-7.90E+01	-6.41E-01	8.50E-01	7.68E-01	1.39E-14	6.79E-03	-5.54E-03	1.83E-13
	Amps	3.12E+01	4.26E-02	-2.32E-01	1.19E-04	-1.90E-04	2.01E-03	-5.79E-17	-1.66E-06	1.14E-06	1.20E-16
	Flow	6.03E+02	9.83E+00	1.59E+00	1.46E-01	8.43E-02	-8.38E-03	-8.51E-06	4.84E-05	-3.36E-04	-1.87E-05
120	Capacity	8.58E+03	1.54E+03	1.82E+03	2.39E+01	2.14E+00	-1.86E+01	1.50E-05	-8.89E-02	-3.77E-02	5.02E-02
	Power	7.45E+03	-1.23E+01	-8.60E+01	1.25E-01	6.00E-01	8.56E-01	-9.00E-15	-9.50E-05	-3.65E-03	1.77E-14
	Amps	3.34E+01	-1.33E-01	-3.24E-01	-5.57E-04	3.43E-03	2.54E-03	-7.16E-17	5.76E-06	-1.76E-05	-1.03E-15
	Flow	-2.75E+02	1.37E+01	2.75E+01	1.99E-01	4.08E-02	-2.39E-01	-8.20E-05	-2.73E-04	-8.93E-05	6.34E-04
125	Capacity	6.43E+04	1.69E+03	3.03E+02	2.45E+01	2.79E-03	-4.64E+00	5.11E-03	-9.39E-02	-2.80E-02	8.04E-03
	Power	7.65E+03	-1.26E+01	-8.83E+01	1.28E-01	6.16E-01	8.78E-01	1.63E-14	-9.75E-05	-3.75E-03	8.95E-15
	Amps	3.72E+01	-1.49E-01	-3.61E-01	-6.21E-04	3.83E-03	2.83E-03	-6.01E-18	6.42E-06	-1.96E-05	-2.27E-16
	Flow	5.51E+02	1.53E+01	4.70E+00	2.02E-01	1.82E-02	-2.85E-02	-2.74E-05	-2.99E-04	2.08E-05	-1.13E-06



Performance Data

Table 29. Coefficients 200-60-3 (continued)

Compr Size CSDHxxx		Coefficients									
		C1	C2	C3	C4	C5	C6	C7	C8	C9	C10
136	Capacity	1.64E+04	1.47E+03	1.92E+03	2.43E+01	6.83E+00	-1.99E+01	-9.46E-04	-7.46E-02	-6.65E-02	5.51E-02
	Power	8.36E+03	-1.93E+01	-9.05E+01	-3.21E-01	7.87E-01	9.13E-01	-1.74E-15	3.70E-03	-4.67E-03	1.90E-13
	Amps	3.34E+01	-1.20E-01	-2.85E-01	5.33E-04	2.51E-03	2.47E-03	-1.21E-16	-3.70E-06	-1.02E-05	-1.32E-15
	Flow	-2.02E+02	1.23E+01	2.88E+01	1.88E-01	1.05E-01	-2.55E-01	-1.06E-04	5.63E-05	-4.59E-04	7.07E-04
142	Capacity	8.68E+04	1.57E+03	5.73E+01	2.48E+01	6.25E+00	-3.29E+00	6.65E-03	-7.84E-02	-6.50E-02	6.14E-03
	Power	8.66E+03	-2.00E+01	-9.38E+01	-3.33E-01	8.15E-01	9.47E-01	6.52E-15	3.83E-03	-4.84E-03	-4.00E-13
	Amps	3.76E+01	-1.35E-01	-3.20E-01	6.00E-04	2.82E-03	2.78E-03	-3.06E-17	-4.16E-06	-1.14E-05	5.19E-16
	Flow	8.25E+02	1.29E+01	1.18E+00	1.89E-01	1.05E-01	-5.75E-03	-1.33E-05	6.40E-05	-4.63E-04	-2.67E-05
155	Capacity	2.33E+04	1.77E+03	2.18E+03	2.84E+01	7.39E+00	-2.32E+01	-1.32E-03	-9.04E-02	-7.63E-02	6.48E-02
	Power	9.52E+03	-7.84E-01	-1.10E+02	6.26E-02	4.10E-01	1.10E+00	3.16E-15	1.71E-05	-2.79E-03	3.74E-13
	Amps	3.81E+01	-1.02E-02	-3.72E-01	8.86E-04	7.21E-04	3.19E-03	-3.28E-17	-7.42E-06	-2.90E-06	-1.09E-15
	Flow	-1.73E+02	1.47E+01	3.23E+01	2.24E-01	1.18E-01	-2.89E-01	-1.24E-04	-1.04E-05	-5.25E-04	7.96E-04
161	Capacity	1.01E+05	1.92E+03	1.17E+02	2.94E+01	5.79E+00	-4.59E+00	7.50E-03	-9.84E-02	-6.93E-02	9.27E-03
	Power	9.89E+03	-8.15E-01	-1.14E+02	6.50E-02	4.26E-01	1.15E+00	-3.67E-15	1.78E-05	-2.90E-03	-2.17E-13
	Amps	4.29E+01	-1.15E-02	-4.19E-01	9.99E-04	8.14E-04	3.60E-03	-1.43E-16	-8.37E-06	-3.27E-06	-3.03E-15
	Flow	9.51E+02	1.59E+01	2.07E+00	2.29E-01	1.10E-01	-1.41E-02	-1.73E-05	-4.17E-05	-4.76E-04	-2.25E-05
175	Capacity	2.20E+04	2.09E+03	2.50E+03	3.09E+01	5.65E+00	-2.60E+01	-1.51E-03	-9.56E-02	-7.16E-02	7.18E-02
	Power	9.87E+03	-3.01E+01	-9.82E+01	-6.32E-01	1.21E+00	1.06E+00	-3.57E-15	5.96E-03	-6.73E-03	-2.07E-13
	Amps	3.95E+01	1.25E-01	-2.56E-01	2.27E-03	-2.03E-03	2.45E-03	-1.67E-16	-1.83E-05	1.21E-05	3.93E-16
	Flow	-2.99E+02	1.84E+01	3.86E+01	2.40E-01	9.12E-02	-3.43E-01	-1.36E-04	5.49E-05	-3.85E-04	9.46E-04
183	Capacity	2.29E+04	2.18E+03	2.60E+03	3.21E+01	5.88E+00	-2.71E+01	-1.57E-03	-9.96E-02	-7.45E-02	7.48E-02
	Power	1.02E+04	-3.12E+01	-1.02E+02	-6.55E-01	1.25E+00	1.09E+00	-4.25E-14	6.18E-03	-6.97E-03	-1.56E-13
	Amps	4.09E+01	1.30E-01	-2.65E-01	2.35E-03	-2.11E-03	2.54E-03	6.44E-17	-1.90E-05	1.26E-05	1.35E-15
	Flow	-3.12E+02	1.92E+01	4.03E+01	2.50E-01	9.50E-02	-3.57E-01	-1.42E-04	5.72E-05	-4.01E-04	9.85E-04

Table 30. Coefficients 230-60-3

Compr Size CSHDxxx		Coefficients									
		C1	C2	C3	C4	C5	C6	C7	C8	C9	C10
075	Capacity	1.26E+04	8.49E+02	1.03E+03	1.38E+01	4.65E+00	-1.15E+01	-1.07E-03	-4.03E-02	-4.62E-02	3.42E-02
	Power	4.91E+03	2.11E+01	-5.49E+01	-1.21E-01	-1.83E-01	5.88E-01	1.92E-04	8.18E-04	4.86E-04	-3.19E-04
	Amps	2.20E+01	4.72E-02	-1.84E-01	-1.62E-04	-5.49E-04	1.54E-03	4.43E-07	7.50E-07	2.29E-06	-7.35E-07
	Flow	-9.55E+01	6.32E+00	1.64E+01	1.06E-01	8.57E-02	-1.56E-01	-6.75E-05	6.61E-05	-4.47E-04	4.71E-04
089	Capacity	5.19E+04	1.01E+03	7.93E+01	1.66E+01	4.55E+00	-2.69E+00	4.17E-03	-5.57E-02	-4.40E-02	5.94E-03
	Power	5.37E+03	-5.75E+00	-6.13E+01	1.84E-02	2.69E-01	6.45E-01	-8.47E-15	3.11E-04	-1.73E-03	-4.65E-14
	Amps	2.65E+01	-8.05E-02	-2.67E-01	-6.53E-04	2.10E-03	2.00E-03	-1.24E-17	6.42E-06	-1.17E-05	5.84E-16
	Flow	5.00E+02	8.26E+00	8.92E-01	1.31E-01	7.37E-02	-6.45E-03	-1.11E-05	-4.14E-05	-3.03E-04	-1.64E-05
092	Capacity	5.50E+04	1.07E+03	7.99E+01	1.76E+01	4.76E+00	-2.80E+00	4.45E-03	-5.92E-02	-4.62E-02	6.10E-03
	Power	5.60E+03	-6.00E+00	-6.39E+01	1.92E-02	2.81E-01	6.73E-01	2.41E-14	3.24E-04	-1.81E-03	2.44E-13
	Amps	2.76E+01	-8.39E-02	-2.78E-01	-6.80E-04	2.19E-03	2.09E-03	-7.94E-18	6.69E-06	-1.22E-05	-1.04E-16
	Flow	5.26E+02	8.68E+00	1.05E+00	1.38E-01	7.93E-02	-8.07E-03	-1.27E-05	-3.78E-05	-3.29E-04	-1.26E-05
103	Capacity	9.57E+04	1.65E+03	-7.95E+02	1.85E+01	-3.67E+00	5.27E+00	3.35E-02	-7.58E-02	-8.96E-03	-1.96E-02
	Power	2.66E+03	5.23E+01	1.75E+00	4.77E-01	-1.26E+00	4.06E-01	5.09E-03	-8.40E-03	7.85E-03	-2.30E-04
	Amps	1.52E+01	1.19E-01	4.10E-02	1.16E-03	-2.92E-03	1.79E-04	9.61E-06	-1.80E-05	1.81E-05	2.54E-06
	Flow	9.03E+02	1.68E+01	-7.10E+00	1.16E-01	-4.06E-02	7.19E-02	4.96E-04	-2.90E-05	1.91E-04	-2.70E-04
105	Capacity	6.06E+04	1.11E+03	1.12E+02	1.82E+01	5.50E+00	-2.94E+00	4.83E-03	-5.70E-02	-5.03E-02	5.60E-03
	Power	6.97E+03	-2.15E+01	-7.69E+01	-6.23E-01	8.26E-01	7.47E-01	3.34E-15	6.61E-03	-5.39E-03	2.25E-14
	Amps	2.64E+01	3.60E-02	-1.96E-01	1.00E-04	-1.60E-04	1.70E-03	-4.55E-17	-1.41E-06	9.67E-07	-5.50E-16
	Flow	5.74E+02	9.36E+00	1.51E+00	1.39E-01	8.03E-02	-7.98E-03	-8.10E-06	4.61E-05	-3.20E-04	-1.78E-05
110	Capacity	6.44E+04	1.18E+03	1.19E+02	1.94E+01	5.84E+00	-3.13E+00	5.13E-03	-6.06E-02	-5.35E-02	5.95E-03
	Power	7.23E+03	-2.23E+01	-7.96E+01	-6.45E-01	8.56E-01	7.74E-01	-3.73E-15	6.84E-03	-5.58E-03	-2.77E-13
	Amps	2.74E+01	3.73E-02	-2.03E-01	1.04E-04	-1.66E-04	1.77E-03	-3.49E-17	-1.46E-06	1.00E-06	-9.22E-16
	Flow	6.09E+02	9.94E+00	1.61E+00	1.48E-01	8.53E-02	-8.48E-03	-8.61E-06	4.90E-05	-3.39E-04	-1.89E-05
120	Capacity	8.68E+03	1.56E+03	1.84E+03	2.41E+01	2.17E+00	-1.88E+01	1.51E-05	-8.99E-02	-3.81E-02	5.07E-02
	Power	7.52E+03	-1.24E+01	-8.67E+01	1.26E-01	6.05E-01	8.63E-01	-4.48E-14	-9.58E-05	-3.68E-03	-6.03E-13
	Amps	3.18E+01	-1.27E-01	-3.09E-01	-5.30E-04	3.27E-03	2.41E-03	-5.92E-17	5.49E-06	-1.67E-05	-5.31E-16
	Flow	-2.78E+02	1.39E+01	2.79E+01	2.01E-01	4.12E-02	-2.42E-01	-8.30E-05	-2.76E-04	-9.04E-05	6.42E-04
125	Capacity	6.51E+04	1.71E+03	3.06E+02	2.47E+01	2.82E-03	-4.69E+00	5.17E-03	-9.49E-02	-2.83E-02	8.13E-03
	Power	7.71E+03	-1.27E+01	-8.89E+01	1.29E-01	6.21E-01	8.85E-01	9.90E-15	-9.83E-05	-3.78E-03	8.50E-14
	Amps	3.26E+01	-1.30E-01	-3.17E-01	-5.44E-04	3.36E-03	2.48E-03	-5.92E-17	5.63E-06	-1.72E-05	-1.38E-16
	Flow	5.57E+02	1.54E+01	4.76E+00	2.05E-01	1.84E-02	-2.88E-02	-2.77E-05	-3.02E-04	2.11E-05	-1.14E-06
136	Capacity	1.66E+04	1.49E+03	1.94E+03	2.45E+01	6.88E+00	-2.02E+01	-1.29E-03	-7.51E-02	-6.73E-02	5.57E-02
	Power	8.43E+03	-1.95E+01	-9.13E+01	-3.24E-01	7.93E-01	9.21E-01	-1.01E-14	3.73E-03	-4.71E-03	-1.90E-13
	Amps	3.18E+01	-1.14E-01	-2.71E-01	5.08E-04	2.39E-03	2.35E-03	1.48E-17	-3.52E-06	-9.68E-06	8.29E-16
	Flow	-2.04E+02	1.25E+01	2.91E+01	1.90E-01	1.05E-01	-2.58E-01	-1.13E-04	6.27E-05	-4.64E-04	7.15E-04
142	Capacity	8.78E+04	1.58E+03	5.80E+01	2.51E+01	6.33E+00	-3.33E+00	6.72E-03	-7.92E-02	-6.57E-02	6.21E-03
	Power	8.73E+03	-2.02E+01	-9.46E+01	-3.36E-01	8.22E-01	9.55E-01	-8.42E-15	3.87E-03	-4.89E-03	-1.94E-13
	Amps	3.29E+01	-1.19E-01	-2.81E-01	5.26E-04	2.48E-03	2.44E-03	4.64E-17	-3.65E-06	-1.00E-05	-3.99E-17
	Flow	8.34E+02	1.31E+01	1.20E+00	1.91E-01	1.06E-01	-5.81E-03	-1.35E-05	6.47E-05	-4.69E-04	-2.70E-05



Performance Data

Table 30. Coefficients 230-60-3 (continued)

Compr Size CSDHxxx		Coefficients									
		C1	C2	C3	C4	C5	C6	C7	C8	C9	C10
155	Capacity	2.36E+04	1.79E+03	2.20E+03	2.88E+01	7.48E+00	-2.35E+01	-1.34E-03	-9.15E-02	-7.71E-02	6.56E-02
	Power	9.60E+03	-7.91E-01	-1.11E+02	6.31E-02	4.13E-01	1.11E+00	1.02E-14	1.73E-05	-2.81E-03	2.48E-13
	Amps	3.62E+01	-9.74E-03	-3.54E-01	8.43E-04	6.87E-04	3.04E-03	-1.89E-17	-7.06E-06	-2.76E-06	-5.02E-16
	Flow	-1.74E+02	1.49E+01	3.27E+01	2.27E-01	1.20E-01	-2.93E-01	-1.26E-04	-1.05E-05	-5.31E-04	8.05E-04
161	Capacity	1.02E+05	1.95E+03	1.18E+02	2.97E+01	5.86E+00	-4.64E+00	7.59E-03	-9.95E-02	-7.01E-02	9.37E-03
	Power	9.97E+03	-8.21E-01	-1.15E+02	6.55E-02	4.29E-01	1.15E+00	-9.86E-15	1.79E-05	-2.92E-03	5.18E-14
	Amps	3.76E+01	-1.01E-02	-3.67E-01	8.76E-04	7.13E-04	3.16E-03	2.73E-18	-7.34E-06	-2.87E-06	1.47E-16
	Flow	9.61E+02	1.61E+01	2.10E+00	2.32E-01	1.11E-01	-1.42E-02	-1.75E-05	-4.21E-05	-4.82E-04	-2.27E-05
175	Capacity	2.22E+04	2.11E+03	2.53E+03	3.12E+01	5.71E+00	-2.63E+01	-1.53E-03	-9.67E-02	-7.24E-02	7.26E-02
	Power	9.95E+03	-3.03E+01	-9.91E+01	-6.37E-01	1.22E+00	1.07E+00	2.04E-14	6.01E-03	-6.78E-03	1.31E-13
	Amps	3.79E+01	1.20E-01	-2.45E-01	2.18E-03	-1.95E-03	2.36E-03	-1.29E-16	-1.76E-05	1.16E-05	1.92E-16
	Flow	-3.03E+02	1.86E+01	3.91E+01	2.42E-01	9.23E-02	-3.46E-01	-1.37E-04	5.55E-05	-3.89E-04	9.57E-04
183	Capacity	2.32E+04	2.20E+03	2.63E+03	3.25E+01	5.95E+00	-2.74E+01	-1.59E-03	-1.01E-01	-7.54E-02	7.56E-02
	Power	1.03E+04	-3.14E+01	-1.03E+02	-6.60E-01	1.26E+00	1.10E+00	2.03E-14	6.23E-03	-7.03E-03	-8.99E-14
	Amps	3.93E+01	1.25E-01	-2.54E-01	2.26E-03	-2.02E-03	2.44E-03	1.35E-16	-1.82E-05	1.21E-05	1.39E-15
	Flow	-3.15E+02	1.94E+01	4.07E+01	2.53E-01	9.61E-02	-3.61E-01	-1.43E-04	5.78E-05	-4.06E-04	9.97E-04

Table 31. Coefficients 400-50-3

Compr Size CSHDxxx		Coefficients									
		C1	C2	C3	C4	C5	C6	C7	C8	C9	C10
075	Capacity	-2.35E+05	5.06E+03	6.15E+03	2.53E+00	-6.97E+01	-4.37E+01	-4.50E-02	9.64E-02	2.55E-01	9.23E-02
	Power	1.88E+04	-2.13E+02	-3.61E+02	5.04E-01	3.67E+00	2.52E+00	2.71E-03	-7.25E-03	-1.42E-02	-4.02E-03
	Amps	3.28E+01	-2.94E-01	-5.43E-01	8.66E-04	4.96E-03	3.65E-03	3.97E-06	-1.22E-05	-1.84E-05	-5.88E-06
	Flow	-3.14E+03	6.63E+01	7.79E+01	-4.15E-02	-9.76E-01	-5.24E-01	-7.39E-04	1.97E-03	3.85E-03	1.05E-03
089	Capacity	5.12E+04	1.02E+03	-1.08E+02	1.41E+01	1.89E-01	-9.37E-01	3.28E-03	-5.06E-02	-2.11E-02	1.70E-03
	Power	4.54E+03	-9.17E+00	-5.30E+01	-2.69E-01	4.52E-01	5.41E-01	-2.90E-15	2.41E-03	-2.78E-03	-2.40E-13
	Amps	1.09E+01	-7.58E-03	-7.98E-02	1.19E-05	2.10E-04	6.90E-04	7.24E-19	-2.01E-07	-6.60E-07	-1.45E-16
	Flow	4.57E+02	8.81E+00	2.21E-01	1.13E-01	2.41E-02	-4.52E-03	-1.28E-05	-8.65E-05	-1.03E-04	-6.16E-06
092	Capacity	5.41E+04	1.08E+03	-1.14E+02	1.50E+01	2.11E-01	-9.93E-01	3.62E-03	-5.36E-02	-2.23E-02	1.80E-03
	Power	4.73E+03	-9.55E+00	-5.53E+01	-2.80E-01	4.71E-01	5.64E-01	7.12E-15	2.52E-03	-2.90E-03	-1.71E-13
	Amps	1.13E+01	-7.90E-03	-8.31E-02	1.24E-05	2.19E-04	7.19E-04	4.78E-17	-2.10E-07	-6.88E-07	3.71E-16
	Flow	4.83E+02	9.30E+00	2.36E-01	1.20E-01	2.56E-02	-4.81E-03	-1.16E-05	-9.34E-05	-1.09E-04	-6.44E-06
103	Capacity	7.56E+04	1.41E+03	-6.14E+02	1.51E+01	-4.25E+00	4.41E+00	5.22E-02	-8.13E-02	3.92E-03	-1.86E-02
	Power	8.09E+02	6.16E+00	4.73E+01	-2.20E-02	-1.40E-01	-1.80E-01	7.98E-04	-5.40E-04	7.16E-04	1.86E-03
	Amps	4.95E+00	5.74E-03	1.36E-01	6.69E-05	-1.80E-04	-1.16E-03	9.08E-07	-1.70E-06	1.23E-06	5.44E-06
	Flow	6.84E+02	1.51E+01	-5.29E+00	1.13E-01	-7.42E-02	6.73E-02	6.93E-04	-4.50E-04	4.97E-04	-3.10E-04
105	Capacity	4.51E+04	1.13E+03	7.78E+01	1.93E+01	1.67E+00	-1.80E+00	4.21E-03	-8.26E-02	-3.18E-02	2.91E-03
	Power	5.13E+03	-6.77E+00	-5.53E+01	-4.87E-02	3.40E-01	5.91E-01	1.70E-14	1.31E-03	-2.19E-03	3.37E-13
	Amps	1.43E+01	-2.28E-02	-1.11E-01	-1.69E-04	7.27E-04	8.83E-04	-3.22E-17	1.63E-06	-3.81E-06	-2.76E-16
	Flow	4.24E+02	8.26E+00	1.28E+00	1.66E-01	7.20E-02	-6.13E-03	-2.21E-05	-3.78E-04	-3.40E-04	2.47E-06
110	Capacity	4.80E+04	1.20E+03	8.26E+01	2.05E+01	1.78E+00	-1.92E+00	4.47E-03	-8.78E-02	-3.38E-02	3.09E-03
	Power	5.32E+03	-7.02E+00	-5.74E+01	-5.05E-02	3.52E-01	6.13E-01	2.29E-14	1.35E-03	-2.27E-03	4.41E-13
	Amps	1.48E+01	-2.36E-02	-1.15E-01	-1.75E-04	7.53E-04	9.15E-04	5.59E-18	1.69E-06	-3.95E-06	1.07E-16
	Flow	4.51E+02	8.78E+00	1.36E+00	1.76E-01	7.65E-02	-6.51E-03	-2.35E-05	-4.02E-04	-3.61E-04	2.63E-06
120	Capacity	1.75E+04	1.31E+03	1.35E+03	1.99E+01	2.44E+00	-1.48E+01	-1.53E-04	-6.96E-02	-3.95E-02	4.23E-02
	Power	5.59E+03	-6.73E+00	-6.12E+01	-1.57E-01	4.00E-01	6.67E-01	7.30E-15	1.25E-03	-2.25E-03	-7.84E-15
	Amps	1.44E+01	-9.97E-03	-1.05E-01	1.62E-05	2.76E-04	9.11E-04	1.62E-17	-2.72E-07	-8.66E-07	-1.37E-16
	Flow	-1.33E+02	1.11E+01	2.17E+01	1.61E-01	5.64E-02	-2.00E-01	-7.33E-05	-1.30E-04	-2.45E-04	5.63E-04
125	Capacity	7.08E+04	1.42E+03	-9.68E+01	2.02E+01	1.08E+00	-1.77E+00	4.83E-03	-7.29E-02	-3.37E-02	3.47E-03
	Power	5.74E+03	-6.91E+00	-6.28E+01	-1.61E-01	4.11E-01	6.84E-01	1.24E-14	1.29E-03	-2.31E-03	6.54E-14
	Amps	1.47E+01	-1.02E-02	-1.08E-01	1.67E-05	2.83E-04	9.36E-04	-1.27E-17	-2.79E-07	-8.89E-07	-4.72E-16
	Flow	6.40E+02	1.20E+01	5.48E-01	1.62E-01	4.55E-02	-7.40E-03	-1.64E-05	-1.34E-04	-1.96E-04	-9.05E-06
136	Capacity	1.60E+04	1.27E+03	1.59E+03	2.00E+01	4.84E+00	-1.70E+01	-1.31E-04	-6.21E-02	-5.04E-02	4.73E-02
	Power	6.73E+03	-1.49E+01	-7.28E+01	-2.93E-01	5.37E-01	7.62E-01	9.93E-15	2.30E-03	-2.82E-03	1.35E-13
	Amps	1.55E+01	-2.19E-02	-1.14E-01	4.46E-04	3.26E-04	1.02E-03	1.81E-18	-4.73E-06	9.89E-08	-8.00E-16
	Flow	-1.61E+02	1.11E+01	2.43E+01	1.57E-01	6.77E-02	-2.18E-01	-7.25E-05	1.19E-05	-2.63E-04	5.95E-04
142	Capacity	7.35E+04	1.39E+03	5.78E+01	2.05E+01	3.46E+00	-3.07E+00	5.24E-03	-6.58E-02	-4.48E-02	5.82E-03
	Power	6.97E+03	-1.54E+01	-7.54E+01	-3.03E-01	5.56E-01	7.90E-01	-1.89E-14	2.39E-03	-2.93E-03	-2.89E-14
	Amps	1.61E+01	-2.27E-02	-1.19E-01	4.62E-04	3.38E-04	1.06E-03	3.95E-17	-4.90E-06	1.03E-07	3.39E-17
	Flow	6.74E+02	1.22E+01	1.69E+00	1.58E-01	5.78E-02	-1.15E-02	-1.14E-05	2.01E-05	-2.19E-04	-1.71E-05



Performance Data

Table 31. Coefficients 400-50-3 (continued)

Compr Size CSDHxxx		Coefficients									
		C1	C2	C3	C4	C5	C6	C7	C8	C9	C10
155	Capacity	1.94E+04	1.40E+03	1.79E+03	2.43E+01	7.80E+00	-1.91E+01	1.01E-04	-8.18E-02	-7.00E-02	5.27E-02
	Power	8.95E+03	-7.49E+00	-1.21E+02	-5.23E-01	6.21E-01	1.11E+00	8.22E-15	6.56E-03	-5.58E-03	3.58E-13
	Amps	1.89E+01	-1.60E-02	-1.90E-01	1.55E-04	4.66E-04	1.53E-03	-9.50E-18	-6.46E-07	-2.96E-06	-4.75E-16
	Flow	-8.93E+01	1.11E+01	2.50E+01	1.96E-01	1.22E-01	-2.22E-01	-8.57E-05	-1.04E-04	-5.18E-04	5.88E-04
161	Capacity	7.71E+04	1.53E+03	2.67E+02	2.49E+01	6.66E+00	-5.35E+00	6.12E-03	-8.45E-02	-6.64E-02	1.18E-02
	Power	9.29E+03	-7.78E+00	-1.25E+02	-5.43E-01	6.45E-01	1.16E+00	9.56E-15	6.81E-03	-5.79E-03	4.40E-13
	Amps	1.96E+01	-1.67E-02	-1.97E-01	1.61E-04	4.84E-04	1.59E-03	-1.66E-17	-6.71E-07	-3.08E-06	-1.96E-17
	Flow	7.49E+02	1.21E+01	2.49E+00	1.96E-01	1.17E-01	-1.71E-02	-1.86E-05	-6.69E-05	-5.10E-04	-1.76E-05
175	Capacity	2.11E+04	1.87E+03	2.05E+03	2.74E+01	3.24E+00	-2.19E+01	-1.21E-03	-9.23E-02	-5.61E-02	6.18E-02
	Power	9.26E+03	-1.98E+01	-1.10E+02	-8.06E-01	1.09E+00	1.07E+00	-1.27E-14	8.61E-03	-7.45E-03	6.79E-15
	Amps	2.06E+01	4.98E-02	-1.54E-01	3.44E-04	-5.48E-04	1.32E-03	-3.50E-18	-3.12E-06	2.75E-06	-2.11E-16
	Flow	-2.34E+02	1.59E+01	3.24E+01	2.19E-01	7.60E-02	-2.93E-01	-1.18E-04	-9.94E-05	-3.58E-04	8.26E-04
183	Capacity	2.20E+04	1.95E+03	2.13E+03	2.85E+01	3.37E+00	-2.28E+01	-1.26E-03	-9.61E-02	-5.84E-02	6.44E-02
	Power	9.60E+03	-2.05E+01	-1.14E+02	-8.35E-01	1.13E+00	1.11E+00	-1.24E-15	8.92E-03	-7.72E-03	-3.87E-13
	Amps	2.14E+01	5.16E-02	-1.59E-01	3.57E-04	-5.68E-04	1.36E-03	-2.79E-17	-3.23E-06	2.85E-06	-1.43E-16
	Flow	-2.44E+02	1.66E+01	3.37E+01	2.28E-01	7.92E-02	-3.05E-01	-1.23E-04	-1.04E-04	-3.73E-04	8.61E-04

Table 32. Coefficients 460-60-3

Compr Size CSHDxxx		Coefficients									
		C1	C2	C3	C4	C5	C6	C7	C8	C9	C10
075	Capacity	1.26E+04	8.49E+02	1.03E+03	1.38E+01	4.65E+00	-1.15E+01	-1.07E-03	-4.03E-02	-4.62E-02	3.42E-02
	Power	4.91E+03	2.11E+01	-5.49E+01	-1.21E-01	-1.83E-01	5.88E-01	1.92E-04	8.18E-04	4.86E-04	-3.19E-04
	Amps	2.54E+01	5.42E-02	-2.12E-01	-1.87E-04	-6.31E-04	1.77E-03	5.09E-07	8.63E-07	2.63E-06	-8.45E-07
	Flow	-9.55E+01	6.32E+00	1.64E+01	1.06E-01	8.57E-02	-1.56E-01	-6.75E-05	6.61E-05	-4.47E-04	4.71E-04
089	Capacity	5.23E+04	1.02E+03	7.60E+01	1.67E+01	4.52E+00	-2.66E+00	4.23E-03	-5.63E-02	-4.39E-02	5.80E-03
	Power	5.35E+03	-5.73E+00	-6.11E+01	1.83E-02	2.68E-01	6.43E-01	-7.00E-15	3.10E-04	-1.73E-03	-1.25E-14
	Amps	1.33E+01	-4.04E-02	-1.34E-01	-3.27E-04	1.06E-03	1.01E-03	2.17E-18	3.22E-06	-5.89E-06	3.12E-16
	Flow	5.00E+02	8.26E+00	9.97E-01	1.31E-01	7.55E-02	-7.67E-03	-1.21E-05	-3.59E-05	-3.13E-04	-1.20E-05
092	Capacity	5.55E+04	1.08E+03	7.73E+01	1.77E+01	4.77E+00	-2.79E+00	4.36E-03	-5.93E-02	-4.65E-02	6.06E-03
	Power	5.57E+03	-5.97E+00	-6.36E+01	1.91E-02	2.79E-01	6.70E-01	-3.69E-16	3.23E-04	-1.80E-03	4.77E-14
	Amps	1.39E+01	-4.21E-02	-1.40E-01	-3.41E-04	1.10E-03	1.05E-03	-2.23E-17	3.36E-06	-6.14E-06	-1.88E-16
	Flow	5.29E+02	8.73E+00	1.05E+00	1.38E-01	7.98E-02	-8.06E-03	-1.30E-05	-3.75E-05	-3.31E-04	-1.28E-05
105	Capacity	6.10E+04	1.12E+03	1.13E+02	1.83E+01	5.53E+00	-2.96E+00	4.86E-03	-5.74E-02	-5.06E-02	5.63E-03
	Power	6.94E+03	-2.14E+01	-7.65E+01	-6.20E-01	8.23E-01	7.44E-01	-6.73E-15	6.58E-03	-5.36E-03	-1.99E-14
	Amps	1.29E+01	1.75E-02	-9.55E-02	4.89E-05	-7.81E-05	8.29E-04	-1.75E-17	-6.85E-07	4.71E-07	-4.13E-16
	Flow	5.77E+02	9.41E+00	1.52E+00	1.40E-01	8.07E-02	-8.03E-03	-8.15E-06	4.64E-05	-3.21E-04	-1.79E-05
110	Capacity	6.48E+04	1.19E+03	1.20E+02	1.95E+01	5.88E+00	-3.15E+00	5.16E-03	-6.09E-02	-5.38E-02	5.99E-03
	Power	7.20E+03	-2.22E+01	-7.93E+01	-6.43E-01	8.53E-01	7.71E-01	-5.01E-15	6.82E-03	-5.56E-03	2.84E-13
	Amps	1.33E+01	1.82E-02	-9.90E-02	5.07E-05	-8.09E-05	8.59E-04	-1.23E-18	-7.11E-07	4.88E-07	4.33E-16
	Flow	6.13E+02	1.00E+01	1.61E+00	1.49E-01	8.58E-02	-8.53E-03	-8.66E-06	4.93E-05	-3.41E-04	-1.90E-05
120	Capacity	8.73E+03	1.57E+03	1.86E+03	2.43E+01	2.18E+00	-1.89E+01	1.52E-05	-9.05E-02	-3.83E-02	5.10E-02
	Power	7.48E+03	-1.23E+01	-8.64E+01	1.25E-01	6.03E-01	8.59E-01	-1.43E-14	-9.54E-05	-3.67E-03	-2.97E-13
	Amps	1.59E+01	-6.37E-02	-1.55E-01	-2.66E-04	1.64E-03	1.21E-03	-1.07E-17	2.75E-06	-8.39E-06	-7.77E-16
	Flow	-2.79E+02	1.40E+01	2.80E+01	2.02E-01	4.15E-02	-2.44E-01	-8.35E-05	-2.77E-04	-9.09E-05	6.45E-04
125	Capacity	6.55E+04	1.72E+03	3.08E+02	2.49E+01	2.84E-03	-4.72E+00	5.20E-03	-9.55E-02	-2.85E-02	8.18E-03
	Power	7.68E+03	-1.26E+01	-8.86E+01	1.28E-01	6.18E-01	8.81E-01	2.22E-15	-9.79E-05	-3.76E-03	-1.45E-14
	Amps	1.63E+01	-6.53E-02	-1.59E-01	-2.72E-04	1.68E-03	1.24E-03	-2.59E-17	2.82E-06	-8.60E-06	-1.23E-16
	Flow	5.61E+02	1.55E+01	4.79E+00	2.06E-01	1.85E-02	-2.90E-02	-2.78E-05	-3.04E-04	2.12E-05	-1.15E-06
136	Capacity	1.67E+04	1.50E+03	1.95E+03	2.47E+01	6.93E+00	-2.03E+01	-1.30E-03	-7.56E-02	-6.77E-02	5.61E-02
	Power	8.39E+03	-1.94E+01	-9.09E+01	-3.23E-01	7.90E-01	9.17E-01	-1.59E-15	3.72E-03	-4.69E-03	-4.75E-13
	Amps	1.57E+01	-5.65E-02	-1.34E-01	2.51E-04	1.18E-03	1.16E-03	-2.60E-17	-1.74E-06	-4.78E-06	-7.56E-16
	Flow	-2.05E+02	1.25E+01	2.93E+01	1.91E-01	1.06E-01	-2.59E-01	-1.14E-04	6.31E-05	-4.67E-04	7.19E-04
142	Capacity	8.83E+04	1.59E+03	5.83E+01	2.52E+01	6.36E+00	-3.35E+00	6.76E-03	-7.97E-02	-6.61E-02	6.24E-03
	Power	8.70E+03	-2.01E+01	-9.42E+01	-3.34E-01	8.19E-01	9.51E-01	-3.04E-14	3.85E-03	-4.86E-03	-5.45E-13
	Amps	1.63E+01	-5.85E-02	-1.39E-01	2.60E-04	1.22E-03	1.20E-03	-1.28E-17	-1.80E-06	-4.95E-06	1.25E-16
	Flow	8.39E+02	1.32E+01	1.20E+00	1.92E-01	1.07E-01	-5.85E-03	-1.36E-05	6.51E-05	-4.71E-04	-2.72E-05
155	Capacity	2.37E+04	1.80E+03	2.22E+03	2.89E+01	7.51E+00	-2.36E+01	-1.55E-03	-9.18E-02	-7.76E-02	6.59E-02
	Power	9.56E+03	-7.88E-01	-1.11E+02	6.28E-02	4.11E-01	1.11E+00	4.41E-15	1.72E-05	-2.80E-03	2.22E-14
	Amps	1.73E+01	-4.65E-03	-1.69E-01	4.02E-04	3.28E-04	1.45E-03	-1.94E-17	-3.37E-06	-1.32E-06	-2.24E-16
	Flow	-1.76E+02	1.50E+01	3.29E+01	2.28E-01	1.20E-01	-2.94E-01	-1.32E-04	-4.75E-06	-5.35E-04	8.09E-04



Performance Data

Table 32. Coefficients 460-60-3 (continued)

Compr Size CSDHxxx		Coefficients									
		C1	C2	C3	C4	C5	C6	C7	C8	C9	C10
161	Capacity	1.03E+05	1.96E+03	1.14E+02	2.99E+01	5.90E+00	-4.63E+00	7.52E-03	-9.97E-02	-7.06E-02	9.33E-03
	Power	9.93E+03	-8.18E-01	-1.15E+02	6.53E-02	4.27E-01	1.15E+00	-3.24E-14	1.79E-05	-2.91E-03	-9.03E-13
	Amps	1.80E+01	-4.83E-03	-1.75E-01	4.18E-04	3.40E-04	1.51E-03	5.47E-18	-3.50E-06	-1.37E-06	-4.63E-16
	Flow	9.71E+02	1.62E+01	1.99E+00	2.33E-01	1.12E-01	-1.34E-02	-2.01E-05	-3.52E-05	-4.88E-04	-2.52E-05
175	Capacity	2.23E+04	2.12E+03	2.53E+03	3.12E+01	5.72E+00	-2.64E+01	-1.53E-03	-9.68E-02	-7.25E-02	7.27E-02
	Power	9.97E+03	-3.04E+01	-9.92E+01	-6.38E-01	1.22E+00	1.07E+00	4.96E-15	6.02E-03	-6.80E-03	6.50E-14
	Amps	1.90E+01	6.03E-02	-1.23E-01	1.09E-03	-9.77E-04	1.18E-03	7.49E-19	-8.80E-06	5.83E-06	4.28E-16
	Flow	-3.03E+02	1.86E+01	3.91E+01	2.43E-01	9.24E-02	-3.47E-01	-1.38E-04	5.56E-05	-3.90E-04	9.58E-04
183	Capacity	2.32E+04	2.20E+03	2.63E+03	3.26E+01	5.96E+00	-2.75E+01	-1.59E-03	-1.01E-01	-7.55E-02	7.57E-02
	Power	1.03E+04	-3.15E+01	-1.03E+02	-6.61E-01	1.26E+00	1.11E+00	1.46E-14	6.24E-03	-7.04E-03	2.05E-13
	Amps	1.97E+01	6.25E-02	-1.27E-01	1.13E-03	-1.01E-03	1.22E-03	4.01E-17	-9.12E-06	6.04E-06	2.24E-16
	Flow	-3.16E+02	1.94E+01	4.08E+01	2.53E-01	9.62E-02	-3.61E-01	-1.43E-04	5.79E-05	-4.06E-04	9.98E-04

Table 33. Coefficients 575-60-3

Compr Size CSDHxxx		Coefficients									
		C1	C2	C3	C4	C5	C6	C7	C8	C9	C10
089	Capacity	5.23E+04	1.02E+03	7.60E+01	1.67E+01	4.52E+00	-2.66E+00	4.23E-03	-5.63E-02	-4.39E-02	5.80E-03
	Power	5.35E+03	-5.73E+00	-6.11E+01	1.83E-02	2.68E-01	6.43E-01	-7.00E-15	3.10E-04	-1.73E-03	-1.25E-14
	Amps	1.06E+01	-3.23E-02	-1.07E-01	-2.62E-04	8.44E-04	8.05E-04	1.74E-18	2.58E-06	-4.71E-06	2.49E-16
	Flow	5.00E+02	8.26E+00	9.97E-01	1.31E-01	7.55E-02	-7.67E-03	-1.21E-05	-3.59E-05	-3.13E-04	-1.20E-05
092	Capacity	5.55E+04	1.08E+03	7.73E+01	1.77E+01	4.77E+00	-2.79E+00	4.36E-03	-5.93E-02	-4.65E-02	6.06E-03
	Power	5.57E+03	-5.97E+00	-6.36E+01	1.91E-02	2.79E-01	6.70E-01	-3.69E-16	3.23E-04	-1.80E-03	4.77E-14
	Amps	1.11E+01	-3.37E-02	-1.12E-01	-2.73E-04	8.80E-04	8.39E-04	-1.78E-17	2.69E-06	-4.91E-06	-1.51E-16
	Flow	5.29E+02	8.73E+00	1.05E+00	1.38E-01	7.98E-02	-8.06E-03	-1.30E-05	-3.75E-05	-3.31E-04	-1.28E-05
105	Capacity	6.10E+04	1.12E+03	1.13E+02	1.83E+01	5.53E+00	-2.96E+00	4.86E-03	-5.74E-02	-5.06E-02	5.63E-03
	Power	6.94E+03	-2.14E+01	-7.65E+01	-6.20E-01	8.23E-01	7.44E-01	-6.73E-15	6.58E-03	-5.36E-03	-1.99E-14
	Amps	1.03E+01	1.40E-02	-7.64E-02	3.91E-05	-6.24E-05	6.63E-04	-1.40E-17	-5.48E-07	3.77E-07	-3.30E-16
	Flow	5.77E+02	9.41E+00	1.52E+00	1.40E-01	8.07E-02	-8.03E-03	-8.15E-06	4.64E-05	-3.21E-04	-1.79E-05
110	Capacity	6.48E+04	1.19E+03	1.20E+02	1.95E+01	5.88E+00	-3.15E+00	5.16E-03	-6.09E-02	-5.38E-02	5.99E-03
	Power	7.20E+03	-2.22E+01	-7.93E+01	-6.43E-01	8.53E-01	7.71E-01	-5.01E-15	6.82E-03	-5.56E-03	2.84E-13
	Amps	1.07E+01	1.45E-02	-7.92E-02	4.06E-05	-6.47E-05	6.87E-04	-9.81E-19	-5.68E-07	3.90E-07	3.46E-16
	Flow	6.13E+02	1.00E+01	1.61E+00	1.49E-01	8.58E-02	-8.53E-03	-8.66E-06	4.93E-05	-3.41E-04	-1.90E-05
125	Capacity	6.55E+04	1.72E+03	3.08E+02	2.49E+01	2.84E-03	-4.72E+00	5.20E-03	-9.55E-02	-2.85E-02	8.18E-03
	Power	7.68E+03	-1.26E+01	-8.86E+01	1.28E-01	6.18E-01	8.81E-01	2.22E-15	-9.79E-05	-3.76E-03	-1.45E-14
	Amps	1.31E+01	-5.22E-02	-1.27E-01	-2.18E-04	1.34E-03	9.93E-04	-2.07E-17	2.25E-06	-6.88E-06	-9.87E-17
	Flow	5.61E+02	1.55E+01	4.79E+00	2.06E-01	1.85E-02	-2.90E-02	-2.78E-05	-3.04E-04	2.12E-05	-1.15E-06
142	Capacity	8.83E+04	1.59E+03	5.83E+01	2.52E+01	6.36E+00	-3.35E+00	6.76E-03	-7.97E-02	-6.61E-02	6.24E-03
	Power	8.70E+03	-2.01E+01	-9.42E+01	-3.34E-01	8.19E-01	9.51E-01	-3.04E-14	3.85E-03	-4.86E-03	-5.45E-13
	Amps	1.30E+01	-4.68E-02	-1.11E-01	2.08E-04	9.79E-04	9.62E-04	-1.03E-17	-1.44E-06	-3.96E-06	9.97E-17
	Flow	8.39E+02	1.32E+01	1.20E+00	1.92E-01	1.07E-01	-5.85E-03	-1.36E-05	6.51E-05	-4.71E-04	-2.72E-05
161	Capacity	1.03E+05	1.96E+03	1.14E+02	2.99E+01	5.90E+00	-4.63E+00	7.52E-03	-9.97E-02	-7.06E-02	9.33E-03
	Power	9.93E+03	-8.18E-01	-1.15E+02	6.53E-02	4.27E-01	1.15E+00	-3.24E-14	1.79E-05	-2.91E-03	-9.03E-13
	Amps	1.44E+01	-3.86E-03	-1.40E-01	3.34E-04	2.72E-04	1.21E-03	4.37E-18	-2.80E-06	-1.10E-06	-3.70E-16
	Flow	9.71E+02	1.62E+01	1.99E+00	2.33E-01	1.12E-01	-1.34E-02	-2.01E-05	-3.52E-05	-4.88E-04	-2.52E-05



Electrical

General Electrical

All compressors include:

- Motor Protection: Internal overload protection
- UL Recognized: File #SA2356
- Crankcase Heater:
 - Required
 - Bellyband 90W line voltage
 - UL file #SA11872
 - UL recognized (SEOT2, SEOT8 - heaters, crankcase and defrost, refrigeration component) to U.S. and Canadian standards.
- Installation torque: 20 in-lbs minimum, 30 in-lbs maximum

Electrical Data

Table 34. Electrical data

Compressor Size CSHDxxx	Primary/Secondary Voltage ^(a)	LRA	MCC ^(b)	RLA ^(c)	IMAX ^(d)
075	200/230-60-3	203	42	30	28
	460-60-3/380-415-50-3	98	22	16	14
	575-60-3/500-50-3	84	19	14	12
	380-60-3	124	28	20	17
089	200/230-60-3	203	43	31	37
	460-60-3/380-415-50-3	98	22	16	18
	575-60-3/500-50-3	84	18	13	14
	380-60-3	124	26	19	22
092	200/230-60-3	203	43	31	38
	460-60-3/380-415-50-3	98	20	14	19
	575-60-3/500-50-3	84	18	13	14
	380-60-3	124	26	19	23
103	200/230-60-3	267	50	36	45
	460-60-3/380-415-50-3	142	27	19	20
	575-60-3/500-50-3	103	24	17	16
	380-60-3	160	38	27	25
105	200/230-60-3	267	46	33	43
	460-60-3/380-415-50-3	142	23	17	21
	575-60-3/500-50-3	103	22	16	16
	380-60-3	160	35	25	25
110	200/230-60-3	267	46	33	45
	460-60-3/380-415-50-3	142	23	17	22
	575-60-3/500-50-3	103	23	16	17
	380-60-3	160	30	22	26

Table 34. Electrical data (continued)

Compressor Size CSHDxxx	Primary/Secondary Voltage ^(a)	LRA	MCC ^(b)	RLA ^(c)	IMAX ^(d)
120	200/230-60-3	267	61	43	46
	460-60-3/380-415-50-3	142	29	19	23
	575-60-3/500-50-3	103	24	17	18
	380-60-3	160	35	25	28
125	200/230-60-3	267	61	43	48
	460-60-3/380-415-50-3	142	29	19	24
	575-60-3/500-50-3	103	24	17	19
	380-60-3	160	35	25	29
136	200/230-60-3	304	64	45	54
	460-60-3/380-415-50-3	147	30	21	27
	575-60-3/500-50-3	122	26	19	21
	380-60-3	168	37	26	32
142	200/230-60-3	304	64	45	56
	460-60-3/380-415-50-3	147	30	21	28
	575-60-3/500-50-3	122	26	19	22
	380-60-3	168	37	26	33
155	200/230-60-3	315	69	49	62
	460-60-3/380-415-50-3	158	33	23	30
	575-60-3/500-50-3	136	29	21	23
	380-60-3	177	41	29	36
161	200/230-60-3	315	69	49	64
	460-60-3/380-415-50-3	158	33	23	31
	575-60-3/500-50-3	136	29	21	24
	380-60-3	177	41	29	37
175	200/230-60-3	345	75	54	69
	460-60-3/380-415-50-3	155	39	28	35
	575-60-3/500-50-3	126	35	25	27
	380-60-3	195	51	36	40
183	200/230-60-3	345	75	54	71
	460-60-3/380-415-50-3	155	39	28	36
	575-60-3/500-50-3	126	35	25	28
	380-60-3	195	51	36	41

(a) Voltage utilization ranges:
 200/230-60-3: 180-253V
 460-60-3/380-415-50-3: 414-506/342-457
 575-60-3/500-50-3: 518-632
 380-50-3: 342-418

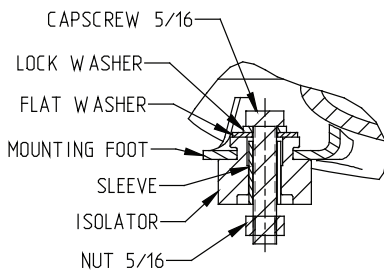
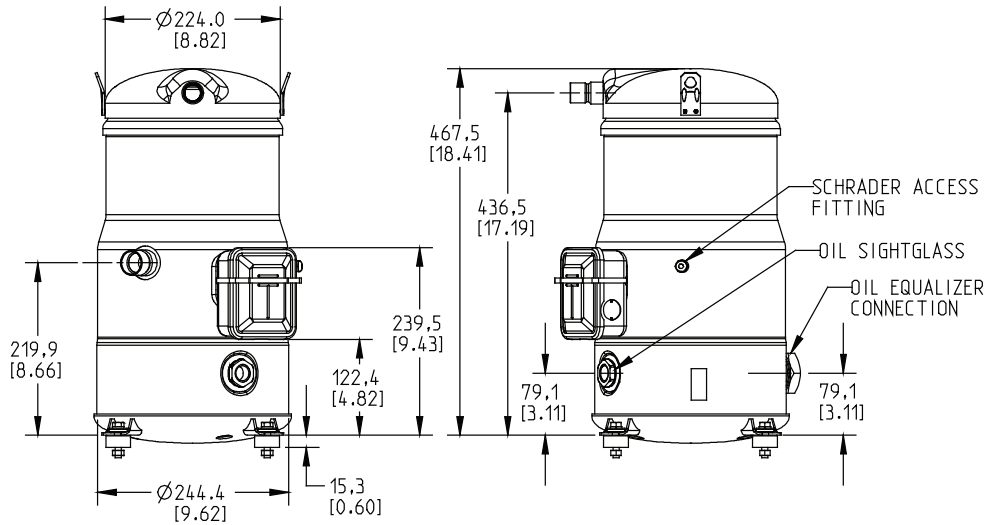
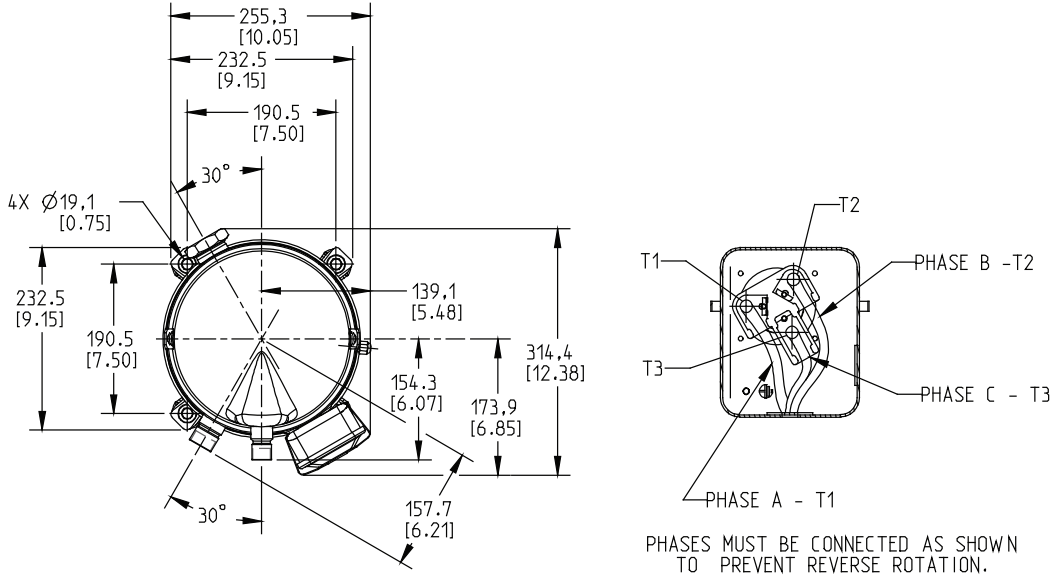
(b) MCC = Maximum Continuous Current (maximum current at which the compressor will operate)

(c) RLA = Rated Load Amperage (MCC/140). Unit compressor RLA cannot be less than the compressor RLA.

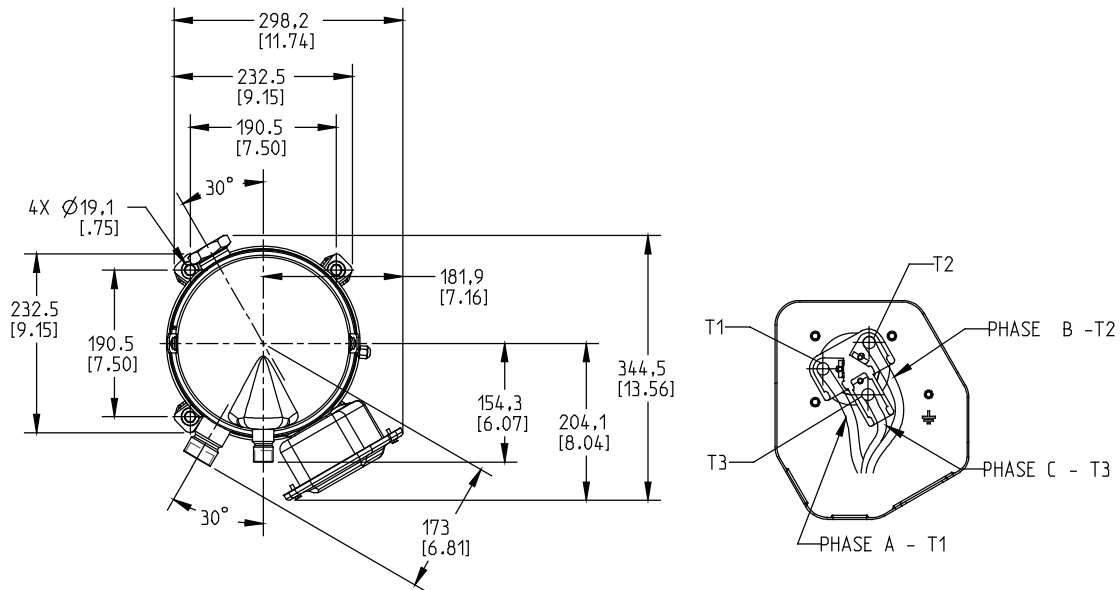
(d) IMAX = Max current @ 59°F SST/155°F SCT/20°F SH/15°F SC, 115°F ambient and 10% undervoltage.

Dimensions

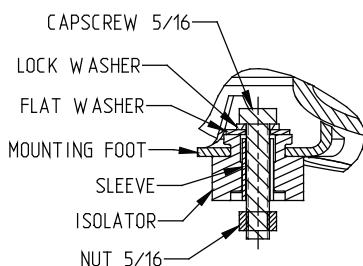
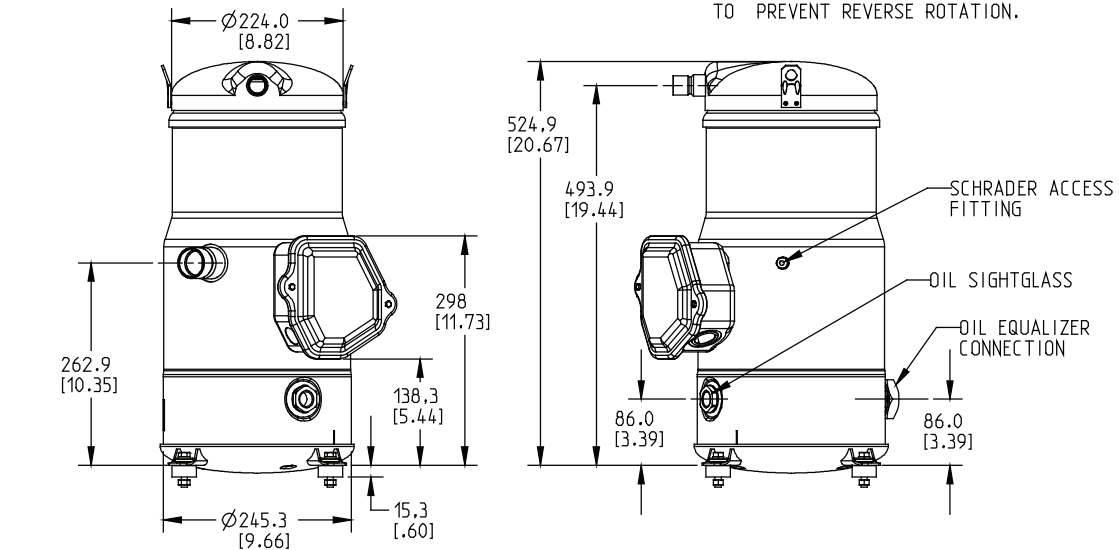
Figure 4. Dimensions — CSHD 075, 089 and 092



Torque Values	
Access Fitting	Finger tight
Cap	.17 ± .34 N-M [1.5 ± 3.0 IN-LBS]
Core	
Equalizer Fitting	80 ± 10 N-M [59 ± 7 FT-LBS]
Sight Glass Fitting	61 ± 3 N-M [45 ± 2 FT-LBS]
Power Terminals	2.75 ± .25 N-M [25 ± 2.0 FT-LBS]
Ground Terminals	1.90 ± .25 N-M [17 ± 2.0 FT-LBS]
Brze joint categories	BCuP-6 or BAg28

Figure 5. Dimensions – CSHD 103, 105, 110, 120, 125, 136, 142, 155 and 161


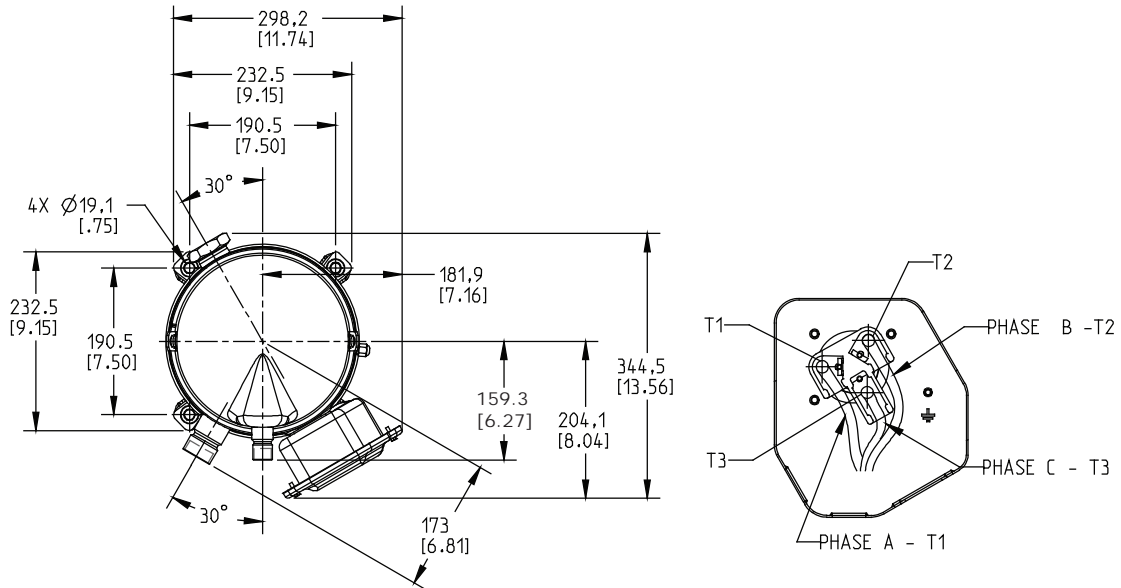
PHASES MUST BE CONNECTED AS SHOWN TO PREVENT REVERSE ROTATION.



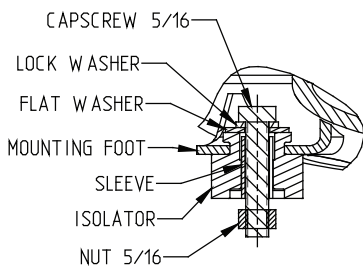
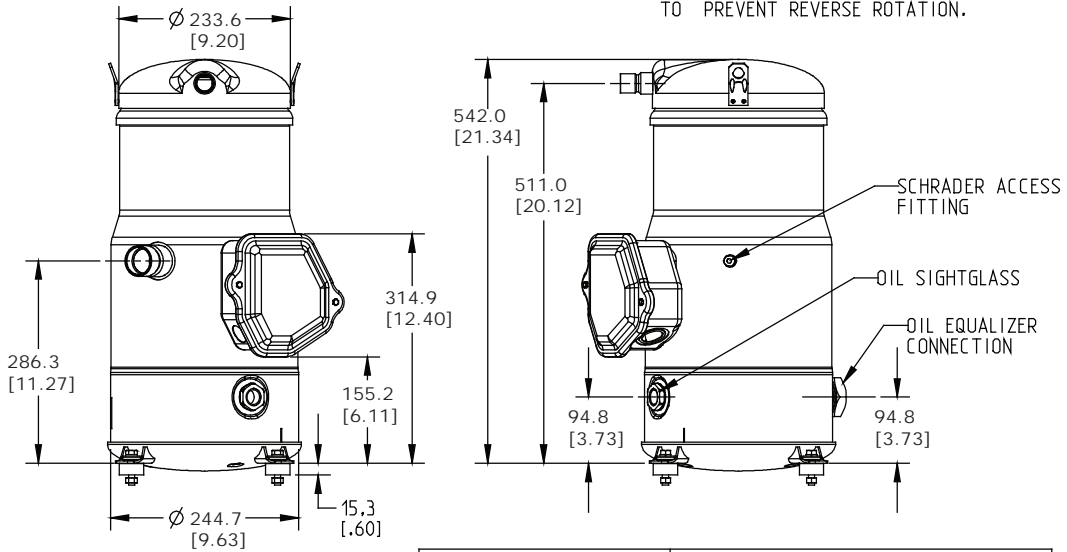
Torque Values	
Access Fitting	Finger tight
Cap	.17 ± .34 N-M [1.5 ± 3.0 IN-LBS]
Core	
Equalizer Fitting	80 ± 10 N-M [59 ± 7 FT-LBS]
Sight Glass Fitting	61 ± 3 N-M [45 ± 2 FT-LBS]
Power Terminals	2.75 ± .25 N-M [25 ± 2.0 FT-LBS]
Ground Terminals	1.90 ± .25 N-M [17 ± 2.0 FT-LBS]
Terminal Box Cover	2.15 ± .25 N-M [19 ± 2.0 FT-LBS]
Braze joint categories	BCuP-6 or BAg28

Dimensions

Figure 6. Dimensions – CSHD 175 and 183



PHASES MUST BE CONNECTED AS SHOWN TO PREVENT REVERSE ROTATION.



Torque Values	
Access Fitting	Finger tight
Cap	.17 ± .34 N-M [1.5 ± 3.0 IN-LBS]
Core	
Equalizer Fitting	80 ± 10 N-M [59 ± 7 FT-LBS]
Sight Glass Fitting	61 ± 3 N-M [45 ± 2 FT-LBS]
Power Terminals	2.75 ± .25 N-M [25 ± 2.0 FT-LBS]
Ground Terminals	1.90 ± .25 N-M [17 ± 2.0 FT-LBS]
Terminal Box Cover	2.15 ± .25 N-M [19 ± 2.0 FT-LBS]
Braze joint categories	BCuP-6 or BA928



Weights

Table 35. Weights^(a)

Compressor Size CSHDxxx	Weight	
	lb	kg
075	135	61.2
089	135	61.2
092	135	61.2
103	149	67.6
105	149	67.6
110	149	67.6
120	154	69.9
125	154	69.9
136	155	70.3
142	155	70.3
155	159	72.1
161	159	72.1
175	170	77.1
183	170	77.1

(a) Weights include oil charge

Trane - by Trane Technologies (NYSE: TT), a global climate innovator - creates comfortable, energy efficient indoor environments for commercial and residential applications. For more information, please visit trane.com or tranetechnologies.com.

Trane has a policy of continuous product and product data improvement and reserves the right to change design and specifications without notice. We are committed to using environmentally conscious print practices.