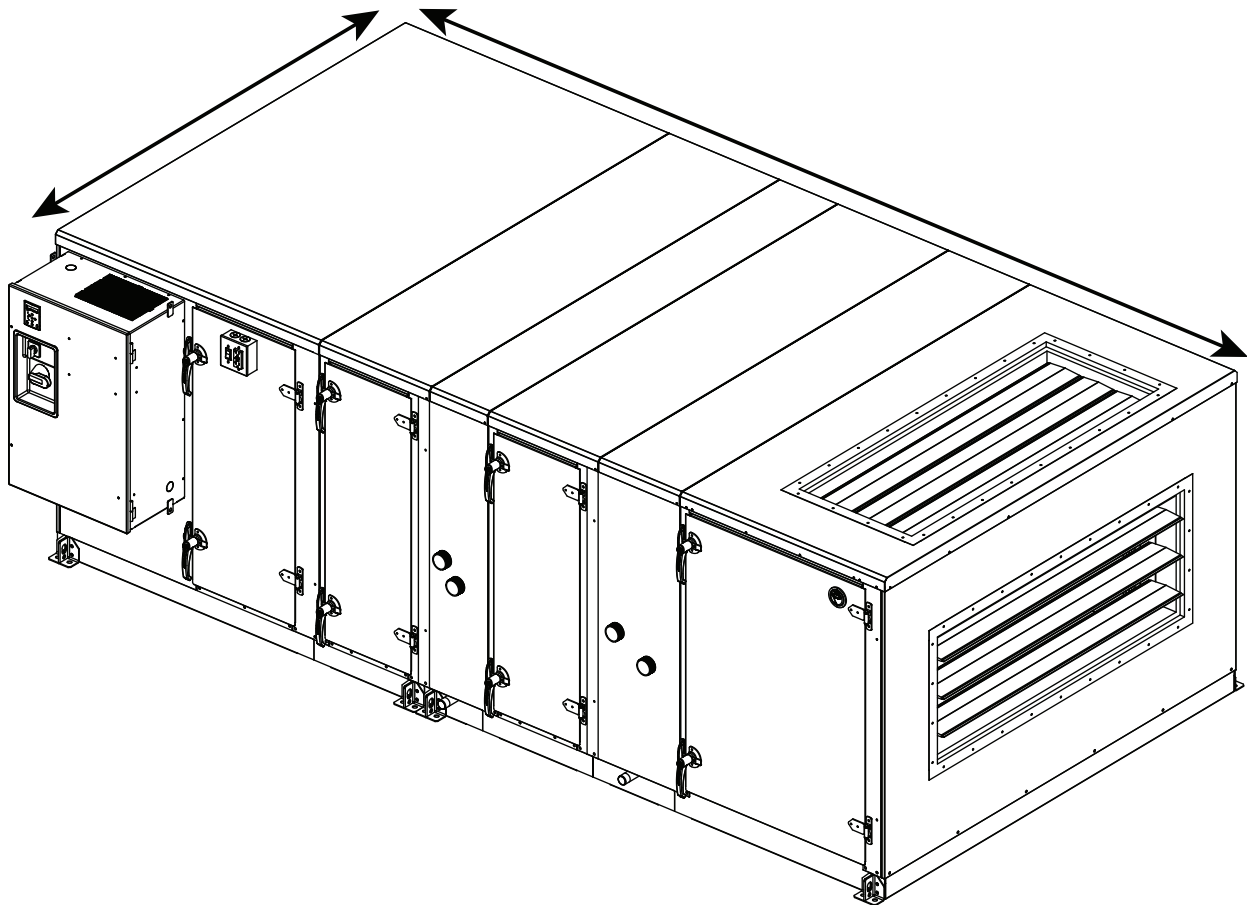




Product Catalog

# Performance Climate Changer™ CSAA Air Handlers

Dimensional Data for Sizes 3 to 120  
Indoor and Outdoor Units





# Introduction

Performance Climate Changer™ air handlers combine the Trane tradition of engineering excellence with the latest in manufacturing technology to give you an energy efficient air handler with superior performance, the highest quality and reliability, and the lowest installed cost in the industry. This air handler was designed to incorporate such features as component flexibility, integrated control options, and proven performance to give you the optimal system to clean, filter, dehumidify, heat, and cool your building.

## Superior Performance

- ASHRAE 111 Class 6 low-leak casing design achieving less than 1.0 percent leakage rate at +/- 8 inches w.g.
- Less than L/240 @ +/- 8 inches w.g. panel and door deflection
- 2-inch R13 foam-insulated, mid-span thermal break panels and thermal break doors
- Casing thermal resistance ratio TR-value of 0.6

## Industry-Leading Energy Efficiency

- AMCA 611-certified Traq airflow monitoring station
- Economizer section meets or exceeds all mandatory requirements prescribed by California Building Energy Efficiency Standard Title 24.
- Total energy-recovery wheels
- Cool Dry Quiet (CDQ™) desiccant dehumidification wheels
- Discharge plenums and plenum fan sections available with variable size, type, and location of openings to reduce static pressure loss and lower energy consumption
- 25,000 hour LED service lights
- Low-leak, high thermal performance casing design
- All airfoil-bladed and Traq dampers meet ASHRAE 90.1 lowest specified leakage requirements
- High-efficiency coil fins deliver superior heat transfer while allowing face velocities in excess of 625 fpm without moisture carryover

## System Optimization

- Optimal design to meet the Trane EarthWise™ design philosophy incorporating high-efficiency air handlers and water chillers with low flow rates and low temperatures.
- Factory-engineered, -mounted, programmed and -tested control packages with properly sealed casing openings.
- Variety of coil types with high-efficiency coil fins allow lower coil approach temperature and reduce chance of moisture carryover.
- Ability to choose the exact number of fins per foot of coil surface to enhance heat transfer and air pressure performance.
- Array of fan sizes and quantities utilizing both motorized impellers and direct-drive plenum fans.
- Control options to easily incorporate fan pressurization and demand control ventilation strategies.
- Design and analysis tools provide whole building analysis, acoustical design guidance, equipment performance data, and suggested control strategies to help achieve optimum system design with tailored energy, IAQ, and project budget solutions.

## Highest Quality

- UL/CUL listed
- AHRI Standard 430-certified air-handling unit
- AHRI Standard 410-certified coils are all factory tested
- AHRI Standard 1060-certified energy wheels
- All fans are dynamically balanced in the horizontal and vertical planes
- All fans with VFDs undergo inverter balancing
- Formulated panels and integral base frame minimize seams that could introduce air leak paths
- Integrated raceway for wiring protection
- Integrated, fully-enclosed control panel for VFDs, and unit-mounted controllers
- Pre-engineered, factory-mounted and programmed controls, including end devices, motor controllers, VFDs, unit-mounted DDC controllers, Traq™ damper ventilation control section, UL-listed turnkey control packages

## Lowest Installed Cost

- Lifting lugs included on the integral base frame
- Indoor units ship with skid designed for forklift transport
- Variable height, size, type, and location of openings on discharge plenums minimize duct transitions
- Factory-installed interoperable controls shorten construction cycles, simplify job-site coordination, reduce installation time and expense, and provide single-source responsibility for warranty and service issues
- Single-point power is available with high-voltage distribution block and external main unit disconnect with lockout/tagout capabilities.
- External service module with 15 amp GFCI receptacle, light switch
- Controller display and communications port
- Quick-connect wiring minimizes installation costs and provides wiring integrity between sections
- Factory-installed conduit connectors eliminate penetrations in the wrong location
- Motor leads can be run through flexible metal conduits to external motor junction box.
- Building Information Modeling (BIM) drawings to minimize jobsite ductwork, electrical, piping and structural interference

Duct supports designed into factory roof curbs for pre-connection of ductwork

## Copyright

This document and the information in it are the property of Trane, and may not be used or reproduced in whole or in part without written permission. Trane reserves the right to revise this publication at any time, and to make changes to its content without obligation to notify any person of such revision or change.

## Trademarks

All trademarks referenced in this document are the trademarks of their respective owners.

## Revision History

Updated Access/turning section, Intake section, and Trane Catalytic Air Cleaning System (TCACS) figure in Dimensions chapter.



# Table of Contents

Introduction .....	2
Dimensions .....	5
Service Clearance Recommendations .....	5
Access/Turning Section .....	9
Air-to-Air Plate Frame Heat Exchangers .....	12
Blenders .....	13
Cool Dry Quiet (CDQ™) Desiccant Dehumidification Wheel .....	15
Coils .....	18
Dampers .....	29
Diffuser .....	31
Electric Heat .....	32
Energy Wheels .....	33
Fans/Motors .....	36
Filters .....	37
Gas Heat - Drum and Tube .....	80
Gas Heat - Inshot Tubular .....	90
Humidifier .....	93
Intake Section .....	95
Mixing Box .....	97
Pipe Cabinet .....	103
Roof Curb .....	105
Silencers .....	107
Trane Catalytic Air Cleaning System (TCACS) .....	108

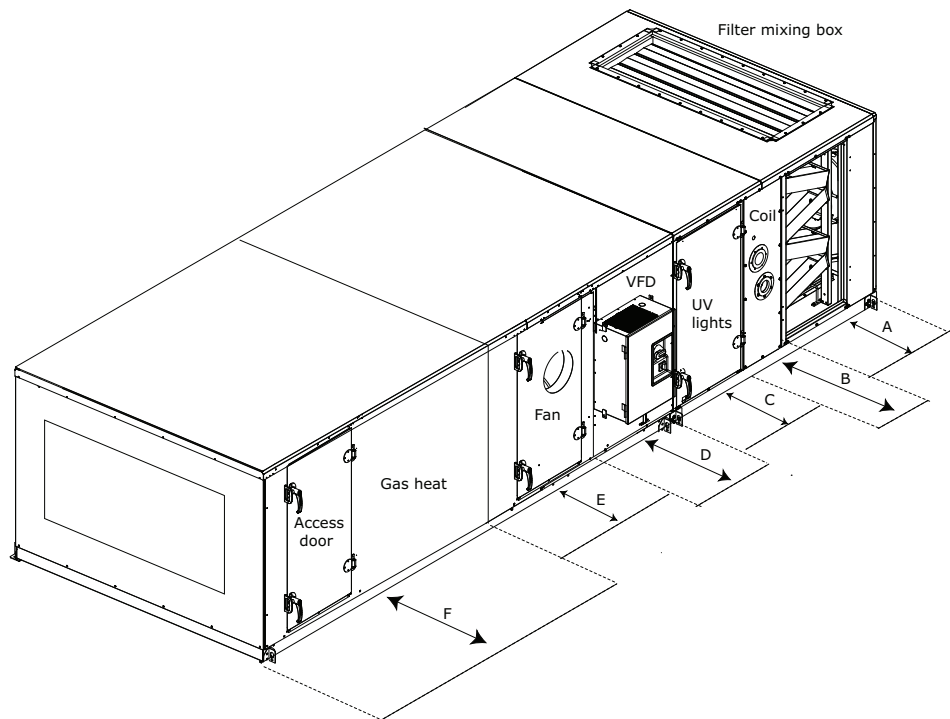


# Dimensions

## Service Clearance Recommendations

A minimum clearance of the section width plus 12 inches on the access door side of the heat section is recommended for routine maintenance. This clearance provides enough room to replace the heat exchanger in the event of failure. The section side panels must be removed to access the heat exchanger. Refer to figure below for service clearance recommendations for the air handler.

Figure 1. Service clearance for indoor units





## Dimensions

**Table 1. Service clearance dimensions (inches)**

Component	3	4	6	8	10	12	14	17	21	25
A (filter)	48	48	48	48	48	48	48	48	48	48
B (coil, humidifier)	48	59	59	66	77	82	87	87	95	95
B (electric heat)	43	52	50	56	67	72	78	78	86	85
C (UV Lights)	48	48	48	48	48	48	48	48	48	48
C (TCACS)	43	59	59	63	75	81	83	83	58	58
D (external motor control or low voltage panel)	61	61	61	61	61	61	61	61	64	64
D (VFD)	48	48	48	48	48	48	48	48	48	48
E (fan)	48	48	48	48	51	54	58	61	60	66
E (fan - MI Array)	25	25	25	25	32	32	32	32	32	32
F (gas heat Ext Vestibule)	n/a	n/a	89	90	108	100	100	105	115	115
F (gas heat Int Vestibule)	n/a	56	56	63	74	79	84	84	92	92
Component	30	35	40	50	57	66	80	100	120	
A (filter)	48	48	48	48	48	52	56	58	58	
B (coil, humidifier)	109	115	128	141	141	156	156	170	197	
B (electric heat)	99	103	115	128	128	n/a	143	n/a	n/a	
C (UV Lights)	48	48	48	48	48	52	56	58	58	
C (TCACS)	83	75	83	83	83	83	83	75	83	
D (external motor control or low voltage panel)	64	64	64	64	64	64	64	64	64	
D (VFD)	48	48	48	48	48	48	48	48	48	
E (fan)	66	66	70	77	77					
E (fan - MI Array)	32	32	32	32	32	32	32	32	32	
F (gas heat Ext Vestibule)	118	136	140	156	156	170	179	180	n/a	
F (gas heat Int Vestibule)	106	112	125	138	138	153	153	167	194	

**Note:** At a minimum, the above clearance dimensions are recommended on one side of the unit for regular service and maintenance. Refer to as-built submittal for locations of items such as filter access doors, coil, piping connections, motor locations, hoods, pipe cabinets, etc. Sufficient clearance must be provided on all sides of unit for removal of access panels, plug panels, or section-to-section attachment brackets. Clearance for starters, VFDs, or other high-voltage devices must be provided per NEC requirements. For specific dimensional and weight information, refer to the unit submittals. The dimensions and weights in this manual are approximate. Trane has a policy of continuous product and product data improvement and reserves the right to change design and specifications without notice.

Figure 2. Service clearance for control box

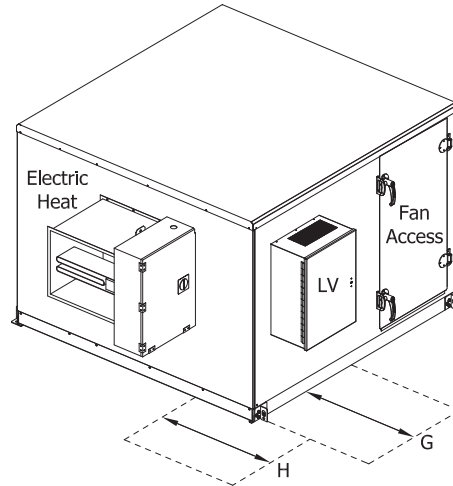
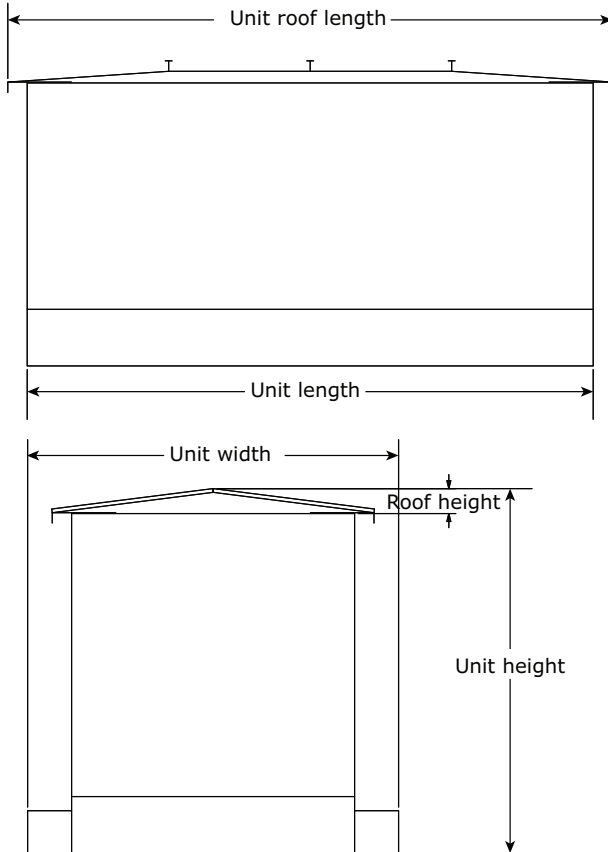


Table 2. Service clearance dimensions (inches) for control box

Component	Unit Size																			
	3	4	6	8	10	12	14	17	21	25	30	35	40	50	57	66	80	100	120	
G (LV component)	36	36	36	36	36	36	36	36	36	36	36	36	36	36	36	36	36	36	36	36
H (electric heat duct mount)	48	48	48	48	48	48	48	48	48	48	48	n/a	n/a	n/a	n/a	n/a	n/a	n/a	n/a	n/a

## Outdoor Unit Dimensions

**Figure 3. Outdoor unit**

**Table 3. Outdoor unit dimensions (inches)**

Unit size	Unit width <sup>2</sup>	Roof height	Unit height <sup>1</sup>
3	38.31	2.20	34.75
4	50.81	2.33	34.88
6	50.81	2.33	41.13
8	57.31	2.33	43.63
10	68.31	2.33	43.63
12	73.31	2.70	47.75
14	78.81	2.70	47.75
17	78.81	2.70	55.25
21	86.81	2.70	59.00
25	86.81	2.70	67.75
30	100.31	2.70	67.75
35	106.81	2.70	73.50
40	119.31	2.70	73.50
50	132.31	3.58	82.88
57	132.31	3.58	92.63
66	147.31	3.58	96.13
80	147.31	3.58	111.13
100	161.31	3.58	123.38
120	188.81	3.58	123.38

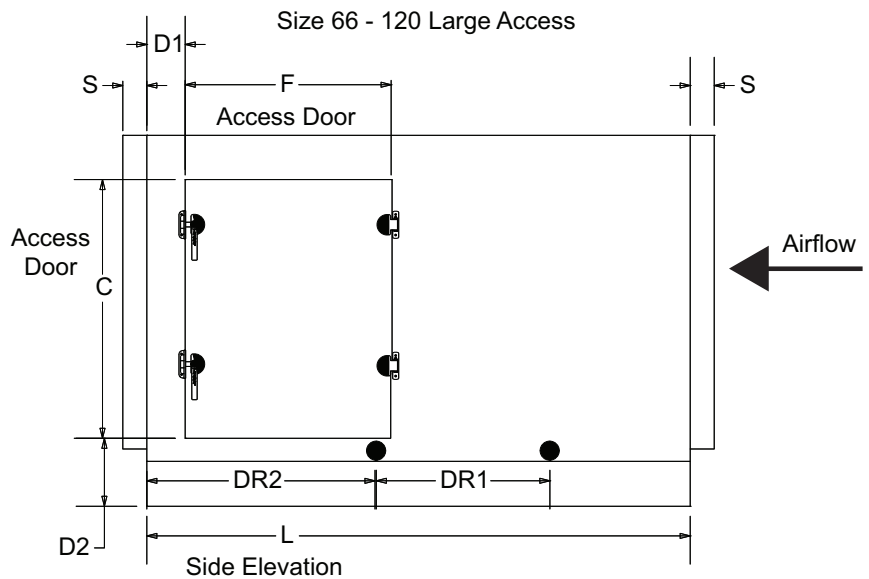
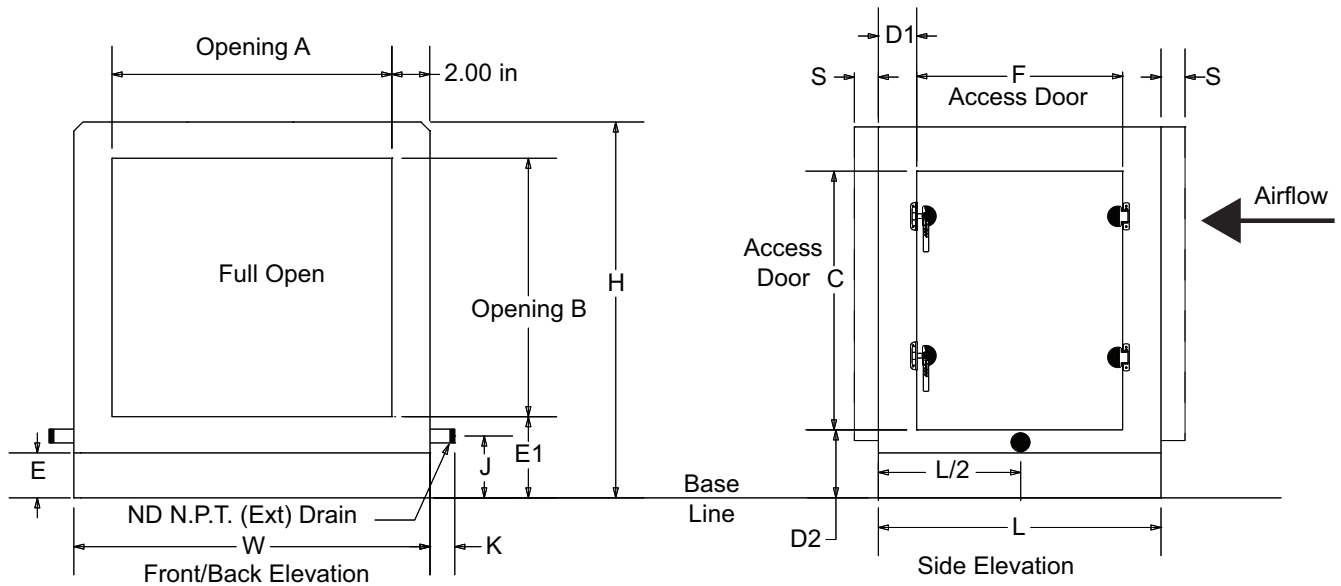
**Notes:**

1. If the unit is installed on a roof curb, there is an additional 0.125-inch height from the drip lip. Unit height includes 6-inch base rail height.
2. Unit width is the external unit width plus the lug dimension (6.81 inches). The unit roof length is equal to the total unit length plus 1.5-inch overhand on each end (unit length plus 3 inches).



## Access/Turning Section

Figure 4. Access/turning section





## Dimensions

**Table 4. Access/turning section dimensions (inches)**

Unit Size	Front/Back Opening		Inward Door <sup>4</sup>			Outward Door <sup>5</sup>			Base <sup>2</sup>		Drain Pan <sup>6</sup>				Ship Split S <sup>1</sup>			
	W	H	A	B	Hinge <sup>3</sup>	C	D2	Hinge <sup>3</sup>	C	D2	E	E1	J	K		DR2	DR1	NPT
3	31.50	29.00	27.50	22.50	AE	19.38	5.38	AE	22.25	4.25	2.50	4.50	3.38	2.63	n/a	n/a	1.00	1.00
4	44.00	29.00	40.00	22.50	AE	19.38	5.38	AE	22.25	4.25	2.50	4.50	3.38	2.63	n/a	n/a	1.00	1.00
6	44.00	35.25	40.00	28.75	AE	25.63	5.38	AE	28.50	4.25	2.50	4.50	3.38	2.63	n/a	n/a	1.00	1.00
8	50.50	37.75	46.50	31.25	AE	28.13	5.38	AE	31.00	4.25	2.50	4.50	3.38	2.63	n/a	n/a	1.00	1.00
10	61.50	37.75	57.50	31.25	AE	28.13	5.38	AE	31.00	4.25	2.50	4.50	3.38	2.63	n/a	n/a	1.00	1.00
12	66.50	41.50	62.50	35.00	AE	31.88	5.38	AE	34.75	4.25	2.50	4.50	3.38	2.63	n/a	n/a	1.00	1.00
14	72.00	41.50	68.00	35.00	AE	31.88	5.38	AE	34.75	4.25	2.50	4.50	3.38	2.63	n/a	n/a	1.00	1.00
17	72.00	49.00	68.00	42.50	AE	39.38	5.38	AE	42.25	4.25	2.50	4.50	3.38	2.63	n/a	n/a	1.00	1.00
21	80.00	52.75	76.00	46.25	AE	43.13	5.38	AE	46.00	4.25	2.50	4.50	3.38	2.63	n/a	n/a	1.00	1.00
25	80.00	61.50	76.00	55.00	AE	51.88	5.38	AE	54.75	4.25	2.50	4.50	3.38	2.63	n/a	n/a	1.00	1.00
30	93.50	61.50	89.50	55.00	AE	51.88	5.38	AE	54.75	4.25	2.50	4.50	3.38	2.63	n/a	n/a	1.00	1.00
35	100.00	67.25	96.00	60.75	AE	57.63	5.38	AE	60.50	4.25	2.50	4.50	3.75	3.63	n/a	n/a	1.25	1.00
40	112.50	67.25	108.50	60.75	AE	57.63	5.38	AE	60.50	4.25	2.50	4.50	3.75	3.63	n/a	n/a	1.25	1.00
50	125.50	75.75	121.50	69.25	AE	66.13	5.38	AE	69.00	4.25	2.50	4.50	3.75	3.63	n/a	n/a	1.25	1.00
57	125.50	85.50	121.50	79.00	AE	57.63	5.38	AE	60.50	4.25	2.50	4.50	3.75	3.63	n/a	n/a	1.25	1.00
66	140.50	92.50	136.50	82.50	AE	57.63	8.88	AE	60.50	7.75	6.00	8.00	7.63	3.63	12.25	24.50	1.50	1.00
80	140.50	107.50	136.50	97.50	AE	57.63	8.88	AE	60.50	7.75	6.00	8.00	7.63	3.63	12.25	27.00	1.50	1.00
100	154.50	119.75	150.50	109.75	AE	57.63	8.88	AE	60.50	7.75	6.00	8.00	7.63	3.63	23.25	24.50	1.50	1.00
120	182.00	119.75	178.00	109.75	AE	57.63	8.88	AE	60.50	7.75	6.00	8.00	7.63	3.63	23.25	24.50	1.50	1.00

**Notes:**

- Shipping split flange dimension is for shipping planning purposes only and does not add to installed overall unit length.
- Base line includes the height for standard 2.5-inch integral base frame on unit sizes 3-57 and 6-inch integral base frame on unit sizes 66-120.
- Hinged on air-entering (AE) side or air-leaving (AL) side.
- Inward swing doors are dimensioned to door opening.
- Outward swing door opening is (F-2.73) by (C-1.80).
- Drain pan connection dimension is nominal pipe size. IAQ drain pan connections can be either LH or RH, but not both.

**Table 5. Access/turning small, medium, and extended medium section dimensions (inches)**

Unit Size	Small					Medium				Extended Medium					
	Inward Door <sup>1</sup>			Outward Door <sup>2</sup>		Inward Door <sup>1</sup>			Outward Door <sup>2</sup>		Inward Door <sup>1</sup>			Outward Door <sup>2</sup>	
	L	C	D1	F	D1	L	F	D1	F	D1	L	F	D1	F	D1
3-57	10.00	No Door				14.00	n/a		9.88	2.13	19.00	12.13	3.50	14.88	2.13
66-120	10.00	No Door				15.00	n/a		10.88	2.13	19.00	12.13	3.50	14.88	2.13

**Notes:**

- Inward swing doors are dimensioned to door opening.
- Outward swing door opening is (F-2.73) by (C-1.80).

**Table 6. Access/turning medium large and large section dimensions (inches)**

Unit Size	Medium Large					Large				
	Inward Door <sup>1</sup>			Outward Door <sup>2</sup>		Inward Door <sup>1</sup>			Outward Door <sup>2</sup>	
	L	F	D1	F	D1	L	F	D1	F	D1
3-6	24.50	17.63	3.50	20.38	2.13	34.00	16.00	9.00	18.75	7.63
8-14	26.50	19.63	3.50	22.38	2.13	36.00	16.00	10.00	18.75	8.63
17	24.50	17.63	3.50	20.38	2.13	36.00	17.63	9.25	20.38	7.88
22	26.50	19.63	3.50	22.38	2.13	36.00	17.63	9.25	20.38	7.88
25	24.50	17.63	3.50	20.38	2.13	46.00	17.63	14.25	20.38	12.88
30	24.50	17.63	3.50	20.38	2.13	46.00	17.63	14.25	20.38	12.88

**Table 6. Access/turning medium large and large section dimensions (inches) (continued)**

Unit Size	Medium Large					Large				
	Inward Door <sup>1</sup>			Outward Door <sup>2</sup>		L	Inward Door <sup>1</sup>		Outward Door <sup>2</sup>	
	L	F	D1	F	D1		F	D1	F	D1
35	24.50	17.63	3.50	20.38	2.13	48.00	17.63	15.25	20.38	13.88
40	24.50	17.63	3.50	20.38	2.13	48.00	17.63	15.25	20.38	13.88
50	24.50	17.63	3.50	20.38	2.13	48.00	17.63	15.25	20.38	13.88
57	24.50	17.63	3.50	20.38	2.13	48.00	17.63	15.25	20.38	13.88
66	24.50	17.63	3.50	20.38	2.13	49.00	17.63	15.75	20.38	14.38
80	24.50	17.63	3.50	20.38	2.13	54.00	17.63	18.25	20.38	16.88
100, 120	24.50	17.63	3.50	20.38	2.13	60.00	17.63	21.25	20.38	19.88

**Notes:**

1. Inward swing doors are dimensioned to door opening.
2. Outward swing door opening is (F-2.73) by (C-1.80).

**Table 7. Access/turning extra large section dimensions (inches)**

Unit Size	Extra Large				
	L	Inward Door		Outward Door	
		F	D1	F	D1
3	36.00	17.63	9.25	20.38	7.88
4, 6	41.00	17.63	11.75	20.38	10.38
8	44.00	19.63	12.25	22.38	10.88
10, 12, 14	42.50	19.63	11.50	22.38	10.13
17	44.00	17.63	13.25	20.38	11.88
21	50.25	17.63	16.38	20.38	15.00
25, 30	56.50	17.63	19.50	20.38	18.13
35, 40	63.75	17.63	23.13	20.38	21.75
50	68.50	17.63	25.50	20.38	24.13
57-120	n/a	n/a	n/a	n/a	n/a

## Air-to-Air Plate Frame Heat Exchangers

Figure 5. Air-to-air plate frame heat exchanger

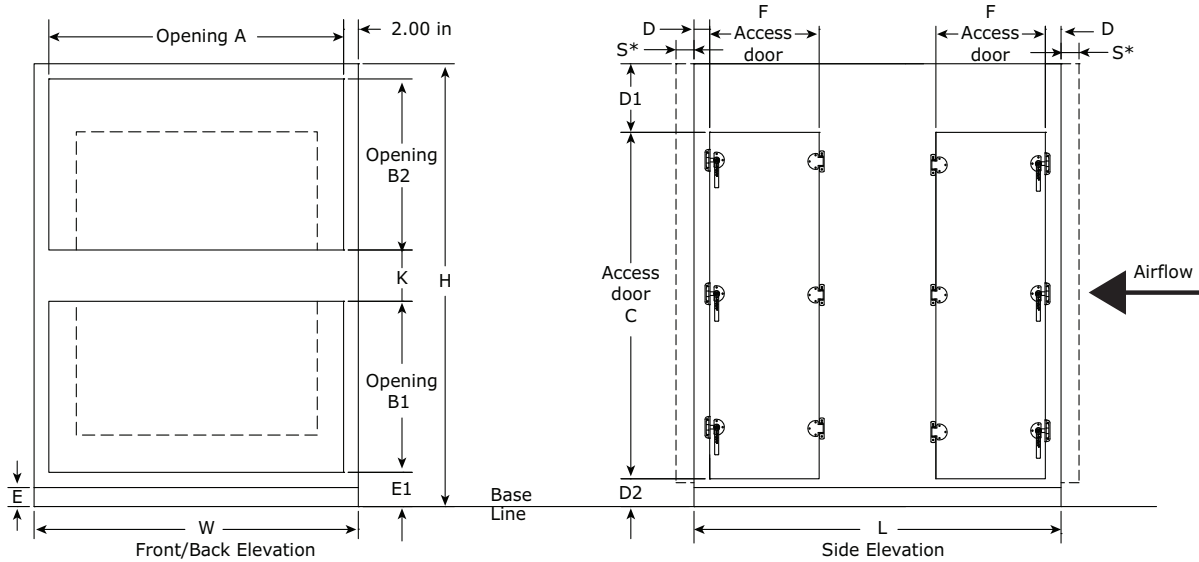
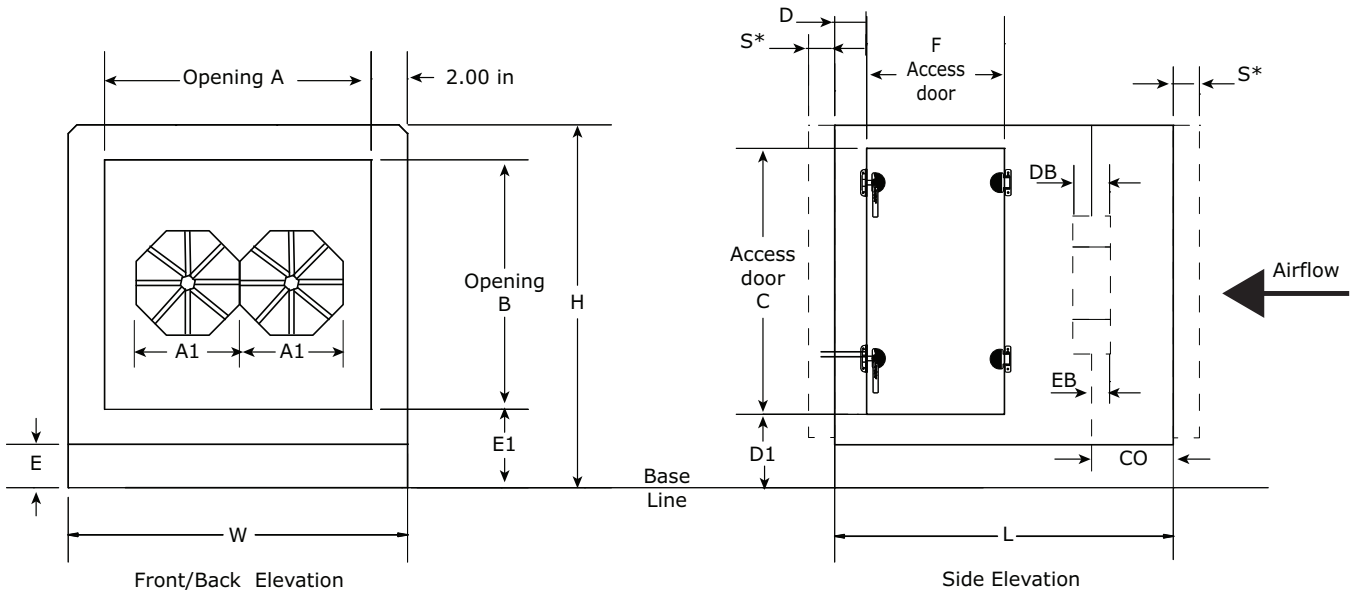


Table 8. Air-to-air plate frame heat exchanger dimensions

Unit size	HEX type	W	H	L	Front/Back Opening			Outward Door <sup>(a)</sup>					Base		Ship Split	
					A	B1	B2	C	D	D1	D2	F	K	E		E1
3	BYPS/HIEF	31.50	58.25	54.50	27.50	22.50	22.50	51.50	6.75	2.63	4.25	14.88	6.75	2.50	4.50	1.00
4	BYPS/HIEF	44.00	58.25	54.50	40.00	22.50	22.50	51.50	6.75	2.63	4.25	14.88	6.75	2.50	4.50	1.00
6	BYPS/HIEF	44.00	70.75	63.00	40.00	28.75	28.75	64.00	6.75	2.63	4.25	17.38	6.75	2.50	4.50	1.00
8	BYPS/HIEF	50.50	75.75	63.00	46.50	31.25	31.25	69.00	6.75	2.63	4.25	17.38	6.75	2.50	4.50	1.00
10	BYPS/HIEF LOW	61.50	75.75	71.00 54.50	57.50	31.25	31.25	69.00	6.75	2.63	4.25	20.38 14.88	6.75	2.50	4.50	1.00
12	BYPS/HIEF LOW	66.50	83.25	71.00 63.00	62.50	35.00	35.00	76.50	6.75	2.63	4.25	20.38 17.38	6.75	2.50	4.50	1.00
14	BYPS/HIEF LOW	72.00	83.25	71.00 63.00	68.00	35.00	35.00	76.50	6.75	2.63	4.25	20.38 17.38	6.75	2.50	4.50	1.00
17	BYPS/HIEF LOW	72.00	98.25	93.50 71.00	68.00	42.50	42.50	91.50	6.75	2.63	4.25	20.38	6.75	2.50	4.50	1.00
21	BYPS/HIEF LOW	80.00	105.75	93.50 82.50	76.00	46.25	46.25	99.00	6.75	2.63	4.25	20.38	6.75	2.50	4.50	1.00
25	BYPS/HIEF LOW	80.00	123.25	110.00 93.50	76.00	55.00	55.00	109.50	2.13	9.63	4.25	20.38	6.75	2.50	4.50	1.00
30	BYPS/HIEF LOW	93.50	123.25	110.00 100.00	89.50	55.00	55.00	109.50	2.13	9.63	4.25	20.38	6.75	2.50	4.50	1.00
35	BYPS/HIEF	100.00	134.75	110.00	96.00	60.75	60.75	109.50	2.13	21.13	4.25	20.38	6.75	2.50	4.50	1.00
40	BYPS/HIEF	112.50	134.75	110.00	108.50	60.75	60.75	109.50	2.13	21.13	4.25	20.38	6.75	2.50	4.50	1.00
50	LOW	125.50	151.75	110.00	121.50	69.25	69.25	109.50	2.13	38.13	4.25	20.38	6.75	2.50	4.50	1.00

(a) Inward swing doors are dimensioned to door opening.

# Blenders

**Figure 6. Blender section**

**Table 9. Blender section dimensions (inches)**

Unit size	W	L	H	A	B	C	D	D1	Base <sup>2</sup>		Ship split	
									E	E1	F	S <sup>1</sup>
3	31.50	19.00	29.00	27.50	22.50	22.25	2.13	4.25	2.50	4.50	14.88	1.00
4	44.00	24.50	29.00	40.00	22.50	22.25	2.13	4.25	2.50	4.50	14.88	1.00
6	44.00	24.50	35.25	40.00	28.75	28.50	2.13	4.25	2.50	4.50	14.88	1.00
8	50.50	26.50	37.75	46.50	31.25	31.00	2.13	4.25	2.50	4.50	14.88	1.00
10	61.50	36.00	37.75	57.50	31.25	31.00	7.88	4.25	2.50	4.50	20.38	1.00
12	66.50	36.00	41.50	62.50	35.00	34.75	7.88	4.25	2.50	4.50	20.38	1.00
14	72.00	36.00	41.50	68.00	35.00	34.75	7.88	4.25	2.50	4.50	20.38	1.00
17	72.00	36.00	49.00	68.00	42.50	42.25	7.88	4.25	2.50	4.50	20.38	1.00
21	80.00	34.00	52.75	76.00	46.25	46.00	6.88	4.25	2.50	4.50	20.38	1.00
25	80.00	46.00	61.50	76.00	55.00	54.75	12.88	4.25	2.50	4.50	20.38	1.00
30	93.50	46.00	61.50	89.50	55.00	54.75	12.88	4.25	2.50	4.50	20.38	1.00
35	100.00	48.00	67.25	96.00	60.75	60.50	12.88	4.25	2.50	4.50	20.38	1.00
40	112.50	48.00	67.25	108.50	60.75	60.50	12.88	4.25	2.50	4.50	20.38	1.00
50	125.50	48.00	75.75	121.50	69.25	69.00	12.88	4.25	2.50	4.50	20.38	1.00
57	125.50	48.00	85.50	121.50	79.00	60.50	12.88	4.25	2.50	4.50	20.38	1.00
66	140.50	49.00	92.50	136.50	82.50	60.50	12.88	7.75	6.00	8.00	20.38	1.00
80	140.50	54.00	107.50	136.50	97.50	60.50	12.88	7.75	6.00	8.00	20.38	1.00
100	154.50	60.00	119.75	150.50	109.75	60.50	12.88	7.75	6.00	8.00	20.38	1.00
120	182.00	60.00	119.75	178.00	109.75	60.50	12.88	7.75	6.00	8.00	20.38	1.00

**Notes:**

- Shipping split flange dimension is for shipping planning purposes only and does not add to installed overall unit length.
- Base line includes the height for standard 2.5-inch integral base frame on unit sizes 3-57 and 6-inch integral base frame on unit sizes 66-120.



## Dimensions

**Table 10. Blender section dimensions (inches)**

Unit Size	Total Blender Weight (lb)	Number of Blenders	Blender Size A1	DB	EB	CO
3	8.00	1	18	3.94	2.00	1.36
4	9.00	1	20	3.94	2.00	1.36
6	12.00	1	24	4.81	2.00	1.36
8	15.00	1	26	5.56	2.00	1.36
10	16.00	1	28	5.56	2.00	1.36
12	22.00	1	32	6.56	2.00	1.36
14	22.00	1	32	6.56	2.00	1.36
17	32.00	2	28	5.56	2.00	1.36
21	36.00	2	30	5.56	2.00	1.36
25	44.00	2	32	6.56	2.00	1.36
30	50.00	2	36	6.56	2.00	1.36
35	50.00	2	36	6.56	2.00	7.00
40	66.00	3	32	6.56	2.00	8.00
50	75.00	3	36	6.56	2.00	10.00
57	90.00	3	38	6.56	2.00	12.00
66	102.00	3	42	8.00	2.00	12.00
80	108.00	3	44	8.00	2.00	15.00
100	120.00	3	48	8.00	2.00	18.00
120	219.00	3	56	10.39	2.50	16.00

**Notes:**

1. Shipping split flange dimension is for shipping planning purposes only and does not add to installed overall unit length.
2. Base line includes the height for standard 2.5-inch integral base frame on unit sizes 3-57 and 6-inch integral base frame on unit sizes 66-120.

# Cool Dry Quiet (CDQ™) Desiccant Dehumidification Wheel

Figure 7. CDQ wheel sizes 3-21

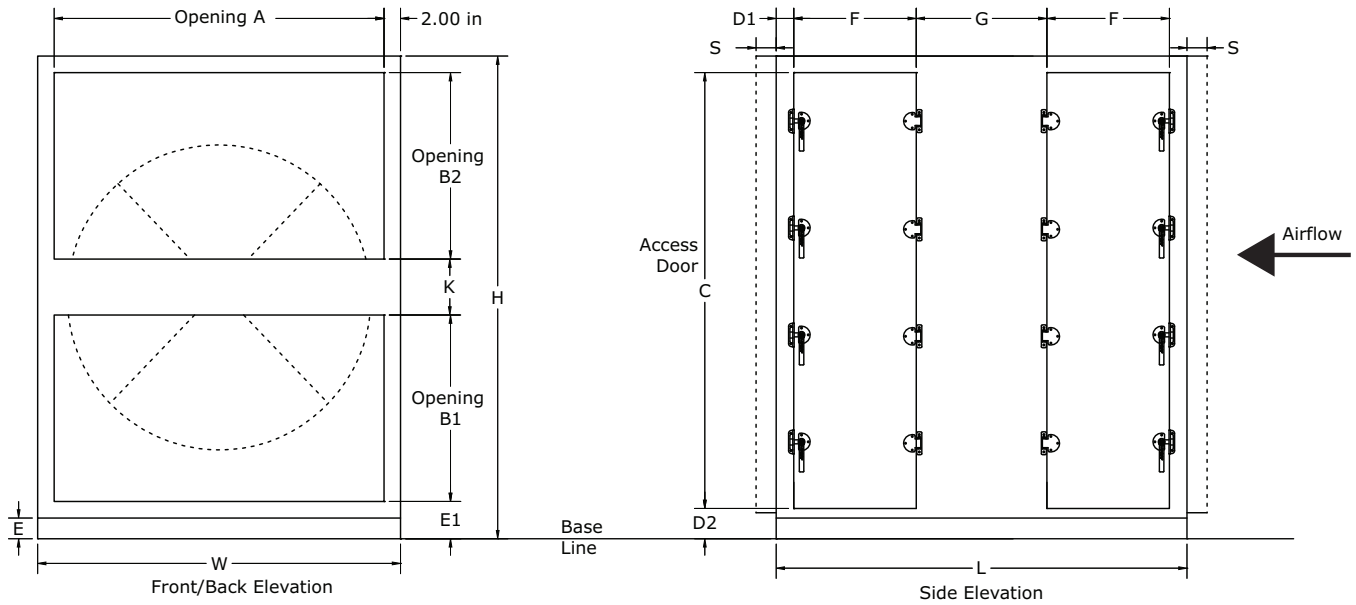
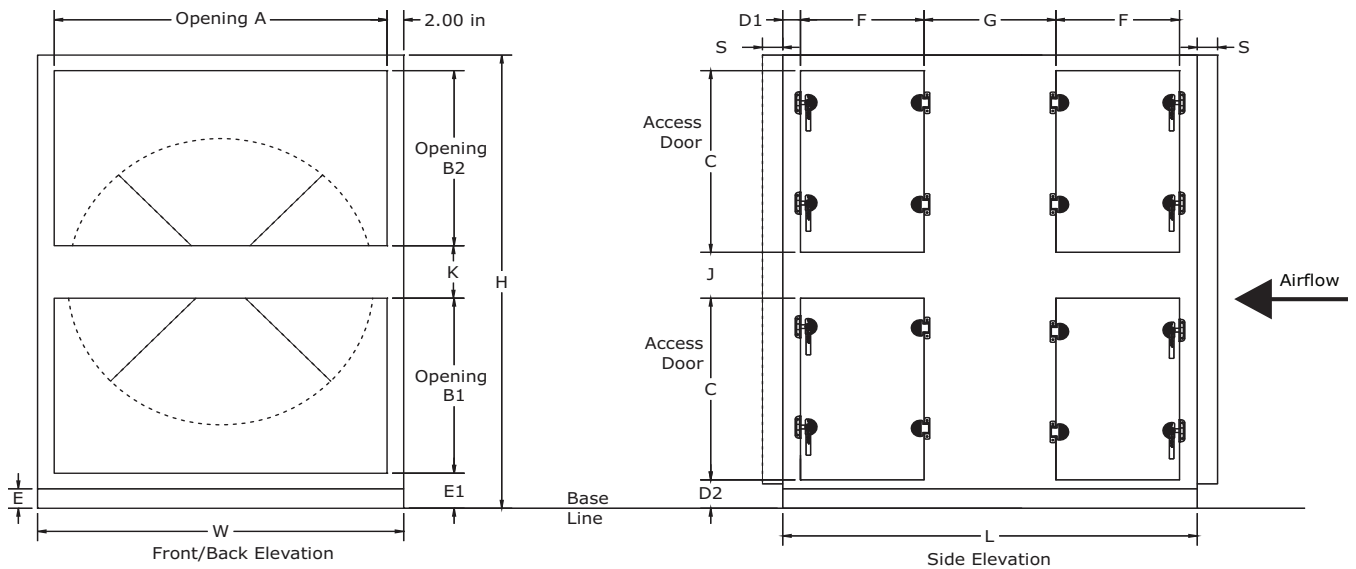


Figure 8. CDQ wheel sizes 25-50





## Dimensions

**Table 11. CDQ section dimensions (inches)**

Unit Size	Front/Back Opening			Outward Door <sup>4</sup>								Base <sup>2</sup>					
	W	H	L	A	B1	B2	Hinge <sup>3</sup>	C	D1	D2	F	G	J	K	E	E1	S <sup>1</sup>
3	31.50	58.25	52.25	27.50	22.50	22.50	AE	51.50	2.13	4.25	14.88	18.50		6.75	2.50	4.50	1.00
4	44.00	58.25	52.25	40.00	22.50	22.50	AE	51.50	2.13	4.25	14.88	18.50		6.75	2.50	4.50	1.00
6	44.00	70.75	52.25	40.00	28.75	28.75	AE	64.00	2.13	4.25	14.88	18.50		6.75	2.50	4.50	1.00
8	50.50	75.75	52.25	46.50	31.25	31.25	AE	69.00	2.13	4.25	14.88	18.50		6.75	2.50	4.50	1.00
10	61.50	75.75	54.50	57.50	31.25	31.25	AE	69.00	2.13	4.25	14.88	20.75		6.75	2.50	4.50	1.00
12	66.50	83.25	57.50	62.50	35.00	35.00	AE	76.50	2.13	4.25	14.88	23.75		6.75	2.50	4.50	1.00
14	72.00	83.25	57.50	68.00	35.00	35.00	AE	76.50	2.13	4.25	14.88	23.75		6.75	2.50	4.50	1.00
17	72.00	98.25	57.50	68.00	42.50	42.50	AE	91.50	2.13	4.25	14.88	23.75		6.75	2.50	4.50	1.00
21	80.00	105.75	55.50	76.00	46.25	46.25	AE	99.00	2.13	4.25	14.88	21.75		6.75	2.50	4.50	1.00
25	80.00	123.25	55.50	76.00	55.00	55.00	AE	54.75	2.13	4.25	14.88	21.75	7.13	6.75	2.50	4.50	1.00
30	93.50	123.25	57.50	89.50	55.00	55.00	AE	54.75	2.13	4.25	14.88	23.75	7.13	6.75	2.50	4.50	1.00
35	100.00	134.75	56.25	96.00	60.75	60.75	AE	60.50	2.13	4.25	14.88	22.50	7.13	6.75	2.50	4.50	1.00
40	112.50	134.75	56.25	108.50	60.75	60.75	AE	60.50	2.13	4.25	14.88	22.50	7.13	6.75	2.50	4.50	1.00
50	125.50	151.75	58.75	121.50	69.25	69.25	AE	69.00	2.13	4.25	14.88	25.00	7.13	6.75	2.50	4.50	1.00

**Notes:**

- Shipping split flange dimension is for shipping planning purposes only and does not add to installed overall unit length.
- Base line includes the height for standard 2.5-inch integral base frame on unit sizes 3-57 and 6-inch integral base frame on unit sizes 66-120.
- Hinged on air-entering (AE) side or air-leaving (AL) side.
- Outward swing door opening is (F-2.73) by (C-1.80).

**Table 12. CDQ wheel availability**

Unit Size	Wheel Size	
	One Bypass Damper <sup>(a)</sup>	Two Bypass Dampers
3	1000	n/a
4	2000	1500 - 1000
6	n/a	2000
8	n/a	3000
10	5000	4000
12	6000	5000
14	7000	6000
17	n/a	7000
21	10,500	8500
25	n/a	10,500
30	n/a	13,000
35	17,500	15,000
40	20,000	17,500
50	25,000	20,000

(a) Wheel option is not available at the unit nominal air flow for unit sizes 6,8,17,25 and 30.



Figure 9. CDQ wheel cassette

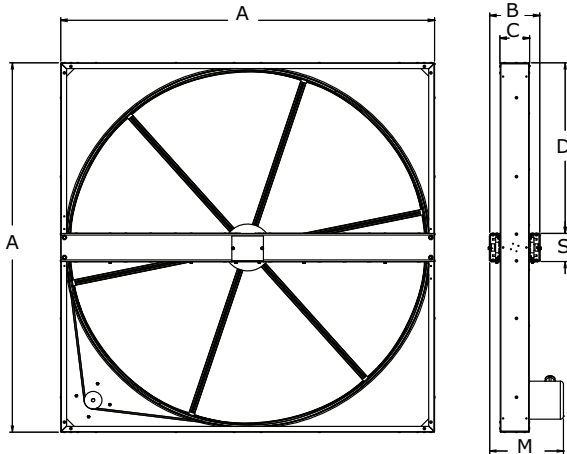
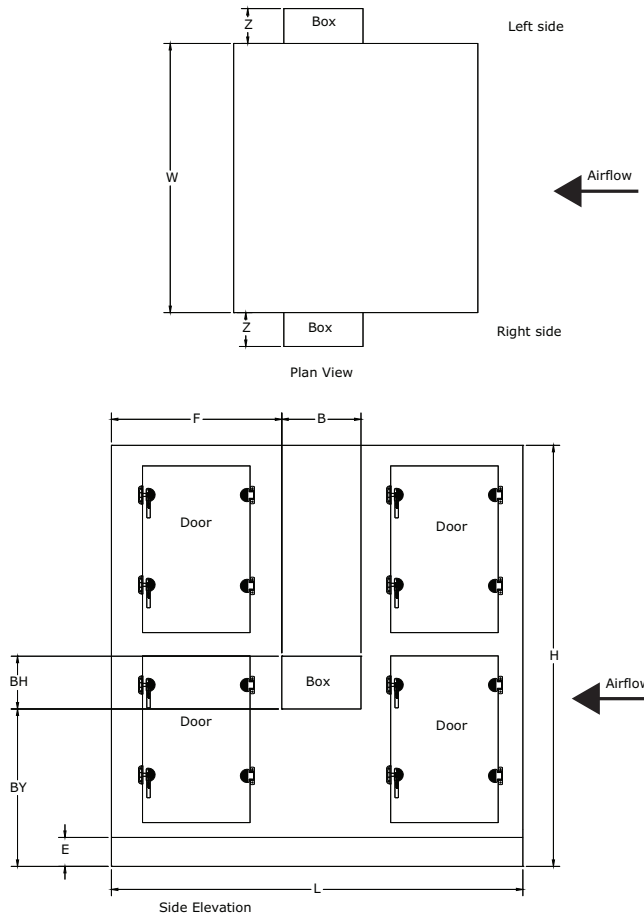


Table 13. CDQ wheel cassette dimensions

Unit sizes available	CFM	A	B	C	D	S	M
3	1000	27.00	7.00	7.00	12.57	1.86	10.61
4	1500	34.00	7.00	7.00	16.00	2.00	10.61
4,6	2000	39.00	7.00	7.00	18.51	1.98	12.18
8	3000	42.00	7.00	7.00	19.75	2.50	12.18
10	4000	48.00	7.00	7.00	22.75	2.50	12.18
10,12	5000	54.00	8.00	8.00	25.63	2.75	12.80
12,14	6000	60.00	8.00	8.00	28.63	2.75	12.80
14,17	7000	66.00	8.00	8.00	31.63	2.75	12.80
21	8500	72.00	9.00	9.00	33.93	4.15	13.10
21,25	10,500	76.00	9.00	9.00	35.93	4.15	13.10
30	13,000	84.00	9.50	9.50	39.43	5.14	13.35
35	15,000	90.00	9.50	9.50	42.43	5.15	13.35
35,40	17,500	96.00	12.00	12.00	44.93	6.15	14.65
40,50	20,000	102.00	12.00	12.00	47.93	6.15	14.65
50	25,000	116.20	14.80	14.60	48.50	7.10	16.30

Figure 10. CDQ external junction box and starter enclosure



# Coils

## Horizontal Coil Section

Figure 11. Horizontal coil section

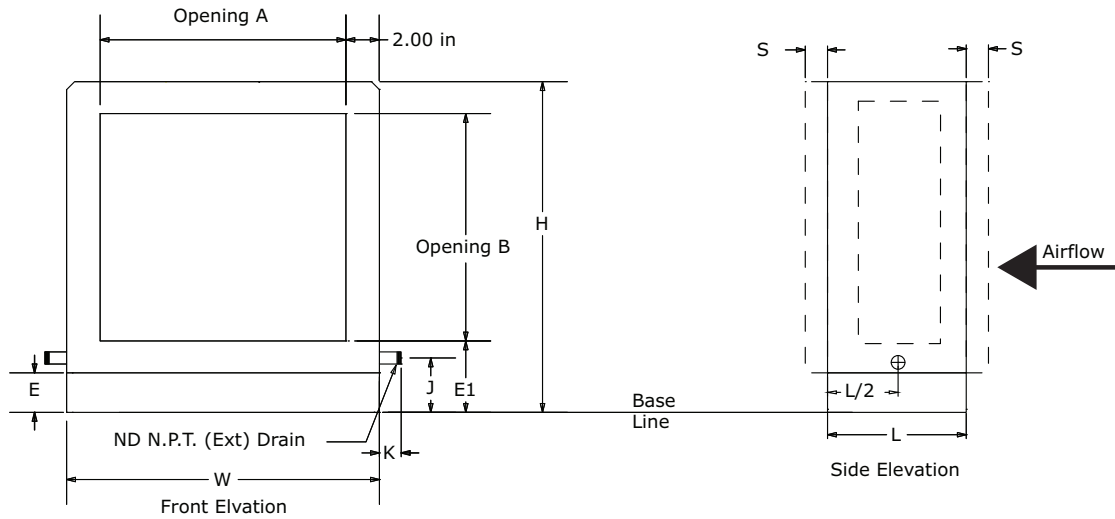


Table 14. Horizontal coil section dimensions (inches)

Unit Size	Front/Back Opening		Base <sup>2</sup>		Drain Pan <sup>3</sup>		ND (NPT)	Small	Med	Ext Med	Med Lrg	Lrg	S <sup>1</sup>		
	W	H	A	B	E	E1		J	K	L	L	L		L	
3	31.50	29.00	27.50	22.50	2.50	4.50	3.38	2.63	1.00	10.00	14.00	19.00	24.50	34.00	1.00
4	44.00	29.00	40.00	22.50	2.50	4.50	3.38	2.63	1.00	10.00	14.00	19.00	24.50	34.00	1.00
6	44.00	35.25	40.00	28.75	2.50	4.50	3.38	2.63	1.00	10.00	14.00	19.00	24.50	34.00	1.00
8	50.50	37.75	46.50	31.25	2.50	4.50	3.38	2.63	1.00	10.00	14.00	19.00	26.50	36.00	1.00
10	61.50	37.75	57.50	31.25	2.50	4.50	3.38	2.63	1.00	10.00	14.00	19.00	26.50	36.00	1.00
12	66.50	41.50	62.50	35.00	2.50	4.50	3.38	2.63	1.00	10.00	14.00	19.00	26.50	36.00	1.00
14	72.00	41.50	68.00	35.00	2.50	4.50	3.38	2.63	1.00	10.00	14.00	19.00	26.50	36.00	1.00
17	72.00	49.00	68.00	42.50	2.50	4.50	3.38	2.63	1.00	10.00	14.00	19.00	24.50	36.00	1.00
21	80.00	52.75	76.00	46.25	2.50	4.50	3.38	2.63	1.00	10.00	14.00	19.00	24.50	34.00	1.00
25	80.00	61.50	76.00	55.00	2.50	4.50	3.38	2.63	1.00	10.00	14.00	19.00	24.50	46.00	1.00
30	93.50	61.50	89.50	55.00	2.50	4.50	3.38	2.63	1.00	10.00	14.00	19.00	24.50	46.00	1.00
35	100.00	67.25	96.00	60.75	2.50	4.50	3.38	3.63	1.25	10.00	14.00	19.00	24.50	48.00	1.00
40	112.50	67.25	108.50	60.75	2.50	4.50	3.38	3.63	1.25	10.00	14.00	19.00	24.50	48.00	1.00
50	125.50	75.75	121.50	69.25	2.50	4.50	3.38	3.63	1.25	10.00	14.00	19.00	24.50	48.00	1.00
57	125.50	85.50	121.50	79.00	2.50	4.50	3.38	3.63	1.25	10.00	14.00	19.00	24.50	48.00	1.00
66	140.50	92.50	136.50	82.50	6.00	8.00	6.13	3.63	1.50	n/a	15.00	19.00	24.50	n/a	1.00
80	140.50	107.50	136.50	97.50	6.00	8.00	6.13	3.63	1.50	n/a	15.00	19.00	24.50	n/a	1.00
100	154.50	119.75	150.50	109.75	6.00	8.00	6.13	3.63	1.50	n/a	15.00	19.00	24.50	n/a	1.00
120	182.00	119.75	178.00	109.75	6.00	8.00	6.13	3.63	1.50	n/a	15.00	19.00	24.50	n/a	1.00

**Notes:**

- Shipping split flange dimension is for shipping planning purposes only and does not add to installed overall unit length.
- Base line includes the height for standard 2.5-inch integral base frame on unit sizes 3-57 and 6-inch integral base frame on unit sizes 66-120.
- Drain pan connection dimension is nominal pipe size. IAQ drain pan connections can be either LH or RH, but not both.

## Coil Locations

Figure 12. Coil locations

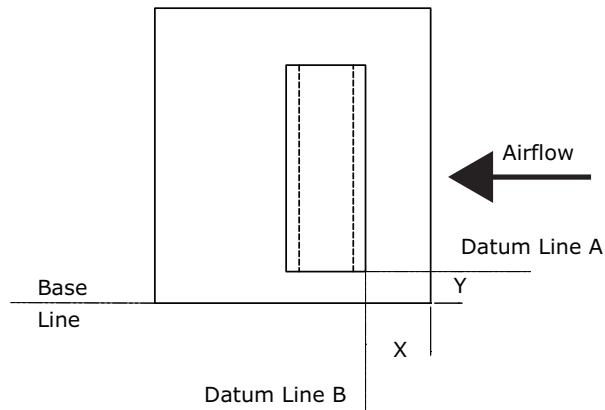


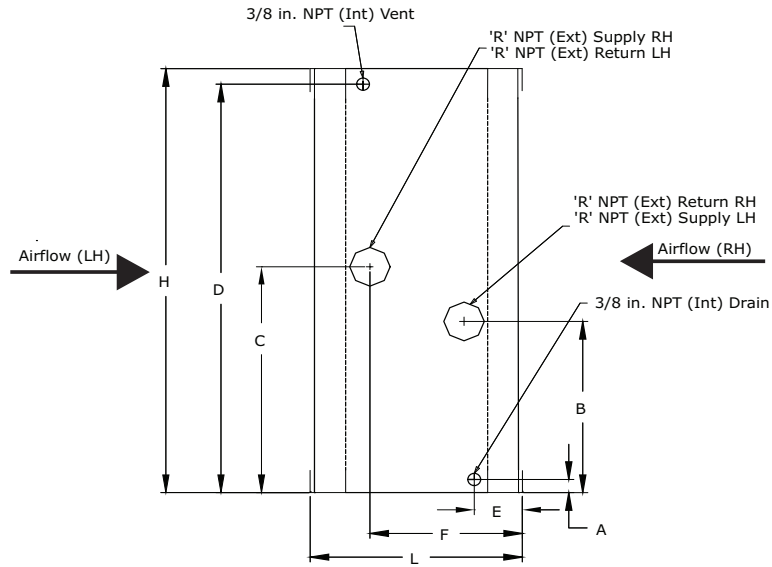
Table 15. Coil location dimensions (inches) for 1/2-inch, 5/8-inch and 1-inch coils

Unit Size	X	Y
3 - 12	1.63	4.75
14 - 17	1.63	4.75
21, 25, 30	1.63	4.88
35 - 40	1.63	5.63
50 - 57	1.63	5.63
66 - 120	2.13	9.75

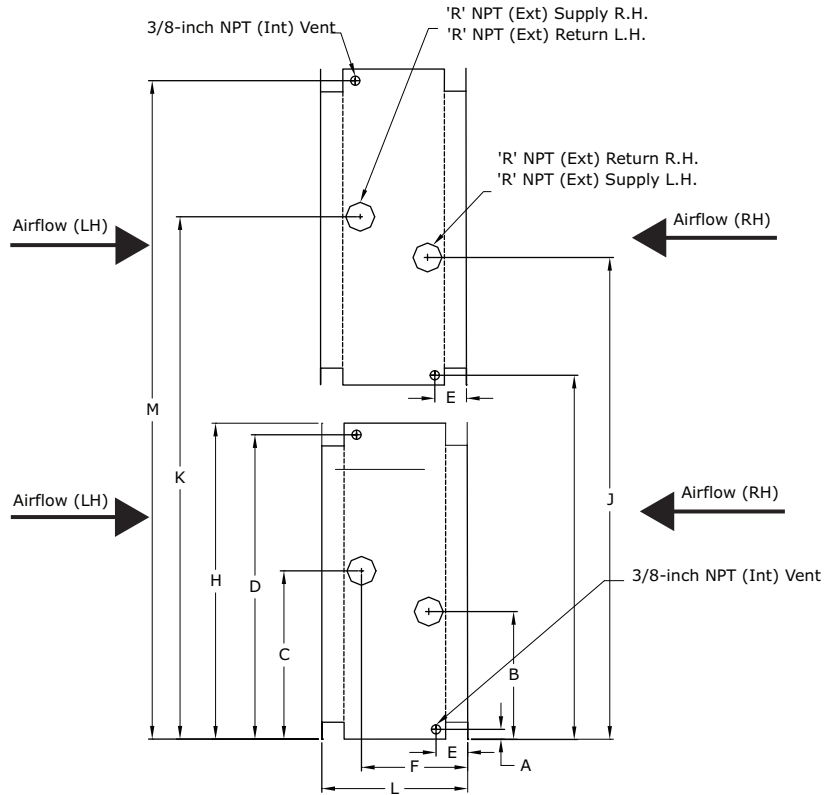
**Note:** Base line includes the height for standard 2.5-inch integral base frame on unit sizes 3-57 and 6-inch integral base frame on unit sizes 66-120. For coil connection information for refrigerant coils, refer to submittal. For specific dimensional information for all coils, refer to the unit submittals provided in TOPSS.

### Coil Connection Locations

**Figure 13. Coil connection locations sizes 3-30**



**Figure 14. Coil connection locations sizes 35-120**



**Table 16. UW coil connection locations**

Unit Size	2 - 8 Row									
	A	B	C	D	H	I	J	K	M	R
3, 4	1.13	8.63	11.75	19.25	20.25	n/a	n/a	n/a	n/a	1.50
6	1.13	11.75	14.88	25.50	26.50	n/a	n/a	n/a	n/a	1.50
8, 10	1.13	13.00	16.13	28.00	29.00	n/a	n/a	n/a	n/a	2.00
12, 14	1.13	14.88	18.00	31.75	32.75	n/a	n/a	n/a	n/a	2.00
17	1.13	18.63	21.75	39.25	40.25	n/a	n/a	n/a	n/a	2.50
21	1.13	20.50	23.63	43.00	44.00	n/a	n/a	n/a	n/a	2.50
35, 40	1.13	27.38	30.50	56.75	57.75	n/a	n/a	n/a	n/a	2.50
25, 30	1.13	24.88	28.00	51.75	52.75	n/a	n/a	n/a	n/a	2.50
26, 57	1.75	17.38	20.50	36.13	37.75	40.25	55.88	59.00	74.63	2.00
66	1.75	18.00	21.13	37.38	39.00	41.50	57.75	60.88	77.13	2.00
80	1.75	21.75	24.88	44.88	46.50	49.00	69.00	72.13	92.13	2.50
50	1.75	14.88	18.00	31.13	32.75	35.25	48.38	51.50	64.63	2.00
100, 120	1.75	28.00	31.13	57.38	59.00	45.25	61.50	80.88	103.38	2.50

**Table 17. UW coil connection locations**

Unit Size	E		F				L			
	2-Row	4-8 Row	2-Row	4-Row	6-Row	8-Row	2-Row	4-Row	6-Row	8-Row
3	2.50	1.75	4.25	5.00	7.13	9.25	6.63	6.63	8.75	11.00
4	2.50	1.75	4.25	5.00	7.13	9.25	6.63	6.63	8.75	11.00
6	2.50	1.75	4.25	5.00	7.13	9.25	6.63	6.63	8.75	11.00
8	2.25	1.75	4.50	5.00	7.13	9.25	6.63	6.63	8.75	11.00
10	2.25	1.75	4.50	5.00	7.13	9.25	6.63	6.63	8.75	11.00
12	2.25	1.75	4.50	5.00	7.13	9.25	6.63	6.63	8.75	11.00
14	2.25	1.75	4.50	5.00	7.13	9.25	6.63	6.63	8.75	11.00
17	2.00	1.75	4.75	5.00	7.13	9.25	6.63	6.63	8.75	11.00
21	2.00	1.75	4.75	5.00	7.13	9.25	6.63	6.63	8.75	11.00
25	2.00	1.75	4.75	5.00	7.13	9.25	6.63	6.63	8.75	11.00
30	2.00	1.75	4.75	5.00	7.13	9.25	6.63	6.63	8.75	11.00
35	2.00	1.75	4.75	5.00	7.13	9.25	6.63	6.63	8.75	11.00
40	2.00	1.75	4.75	5.00	7.13	9.25	6.63	6.63	8.75	11.00
50	1.75	2.38	4.00	5.63	7.75	9.88	5.75	8.00	10.13	12.25
57	1.75	2.38	4.00	5.63	7.75	9.88	5.75	8.00	10.13	12.25
66	1.75	2.38	4.00	5.63	7.75	9.88	5.75	8.00	10.13	12.25
80	1.50	2.38	4.25	5.63	7.75	9.88	5.75	8.00	10.13	12.25
100	1.50	2.38	4.25	5.63	7.75	9.88	5.75	8.00	10.13	12.25
120	1.50	2.38	4.25	5.63	7.75	9.88	5.75	8.00	10.13	12.25



## Dimensions

**Table 18. UA coil connection locations**

Unit Size	2-Row													
	A	B	C	D	H1	H2	I	J	K	M	R	E	F	L
3	1.13	8.63	11.75	19.25	20.25	20.25	n/a	n/a	n/a	n/a	1.50	2.50	4.25	6.63
4	1.13	8.63	11.75	19.25	20.25	20.25	n/a	n/a	n/a	n/a	1.50	2.50	4.25	6.63
6	2.38	11.75	14.88	24.25	26.50	26.50	n/a	n/a	n/a	n/a	1.50	2.50	4.25	6.63
8	2.38	13.00	16.13	26.75	29.00	29.00	n/a	n/a	n/a	n/a	1.50	2.50	4.25	6.63
10	2.38	13.00	16.13	26.75	29.00	29.00	n/a	n/a	n/a	n/a	1.50	2.50	4.25	6.63
12	1.13	14.88	18.00	31.75	32.75	32.75	n/a	n/a	n/a	n/a	1.50	2.50	4.25	6.63
14	1.13	14.88	18.00	31.75	32.75	32.75	n/a	n/a	n/a	n/a	1.50	2.50	4.25	6.63
17	1.13	18.63	21.75	39.25	40.25	40.25	n/a	n/a	n/a	n/a	2.00	2.25	4.50	6.63
21	2.38	20.50	23.63	41.75	44.00	44.00	n/a	n/a	n/a	n/a	2.00	2.25	4.50	6.63
25	1.13	24.88	28.00	51.75	52.75	52.75	n/a	n/a	n/a	n/a	2.00	2.25	4.50	6.63
30	1.13	24.88	28.00	51.75	52.75	52.75	n/a	n/a	n/a	n/a	2.00	2.25	4.50	6.63
35	1.13	27.38	30.50	56.75	57.75	57.75	n/a	n/a	n/a	n/a	2.00	2.25	4.50	6.63
40	1.13	27.38	30.50	56.75	57.75	57.75	n/a	n/a	n/a	n/a	2.00	2.25	4.50	6.63
50	3.00	14.88	18.00	29.88	32.75	32.75	36.50	48.38	51.50	63.38	1.50	2.00	3.75	5.75
57	3.00	17.38	20.50	34.88	37.75	37.75	41.50	55.88	59.00	73.38	1.50	2.00	3.75	5.75
66	1.75	18.00	21.13	37.38	39.00	39.00	41.50	57.75	60.88	77.13	2.00	2.00	3.75	5.75
80	1.75	21.75	24.88	44.88	46.50	46.50	49.00	69.00	72.13	92.13	2.00	1.75	4.00	5.75
100	3.00	28.00	31.13	56.13	59.00	45.25	62.75	80.88	84.00	102.13	2.00	1.75	4.00	5.75
120	3.00	28.00	31.13	56.13	59.00	45.25	62.75	80.88	84.00	102.13	2.00	1.75	4.00	5.75

**Table 19. UU coil connection locations**

Unit size	4, 6, 8 Row											
	A	B	C	D	H1	H2	I	J	K	M	R	
12	1.06	14.81	17.94	31.69	32.75	32.75	n/a	n/a	n/a	n/a	2.50	
14	1.06	14.81	17.94	31.69	32.75	32.75	n/a	n/a	n/a	n/a	2.50	
17	1.06	18.56	21.69	39.19	40.25	40.25	n/a	n/a	n/a	n/a	2.50	
21	1.06	20.43	23.57	42.94	44.00	44.00	n/a	n/a	n/a	n/a	2.50	
22	1.13	27.38	30.50	56.75	57.75	57.75	n/a	n/a	n/a	n/a	2.50	
25	1.06	24.81	27.94	51.69	52.75	52.75	n/a	n/a	n/a	n/a	2.50	
26	1.75	17.38	20.50	36.13	37.75	37.75	40.25	55.88	59.00	74.63	2.50	
30	1.06	24.81	27.94	51.69	52.75	52.75	n/a	n/a	n/a	n/a	2.50	
31	1.75	17.38	20.50	36.13	37.75	37.75	40.25	55.88	59.00	74.63	2.50	
35	1.06	27.31	30.44	56.69	57.75	57.75	n/a	n/a	n/a	n/a	2.50	
36	1.75	18.00	21.13	37.38	39.00	39.00	41.50	57.75	60.88	77.13	2.50	
40	1.06	27.31	30.44	56.69	57.75	57.75	n/a	n/a	n/a	n/a	2.50	
41	1.75	21.75	24.88	44.88	46.50	46.50	49.00	69.00	72.13	92.13	2.50	
50	1.69	14.81	17.94	31.06	32.75	32.75	35.19	48.31	51.44	64.56	2.50	
51	1.75	21.75	24.88	44.88	46.50	46.50	49.00	69.00	72.13	92.13	2.50	
57	1.69	17.31	20.44	36.06	37.75	37.75	40.19	55.81	58.94	74.56	2.50	
58	1.75	28.00	31.13	57.38	59.00	45.25	61.50	80.88	84.00	103.38	2.50	
66	1.69	17.94	21.06	37.31	39.00	39.00	41.44	57.69	60.81	77.06	2.50	
80	1.69	21.69	24.81	44.81	46.50	46.50	48.94	68.94	72.06	92.06	2.50	

**Table 19. UU coil connection locations (continued)**

Unit size	4, 6, 8 Row										
	A	B	C	D	H1	H2	I	J	K	M	R
100	1.69	27.94	31.07	57.32	59.00	45.25	61.44	80.81	83.94	103.31	2.50
120	1.69	27.94	31.07	57.32	59.00	45.25	61.44	80.81	83.94	103.31	2.50

**Table 20. UU coil connection locations**

Unit Size	E				F				L		
	4 Row LH	4 Row RH	6 Row	8 Row	4 Row LH	4 Row RH	6 Row	8 Row	4 Row	6 Row	8 Row
12	1.65	1.65	2.19	2.19	4.90	4.90	6.53	8.69	6.55	8.72	10.88
14	1.65	1.65	2.19	2.19	4.90	4.90	6.53	8.69	6.55	8.72	10.88
17	1.65	1.65	2.19	2.19	4.90	4.90	6.53	8.69	6.55	8.72	10.88
21	1.65	1.65	2.19	2.19	5.00	5.00	6.53	8.69	6.55	8.72	10.88
22	1.75	1.75	n/a	2.25	5.00	5.00	n/a	8.75	6.63	n/a	11.00
25	1.65	1.65	2.19	2.19	4.90	4.90	6.53	8.69	6.55	8.72	10.88
26	0.88	2.88	n/a	2.88	5.13	7.13	n/a	9.38	8.00	n/a	12.25
30	1.65	1.65	2.19	2.19	4.90	4.90	6.53	8.69	6.55	8.72	10.88
31	0.88	2.88	n/a	2.88	5.13	7.13	n/a	9.38	8.00	n/a	12.25
35	1.65	1.65	2.19	2.19	4.90	4.90	6.53	8.69	6.55	8.72	10.88
36	0.88	2.88	n/a	2.88	5.13	7.13	n/a	9.38	8.00	n/a	12.25
40	1.65	1.65	2.19	2.19	4.90	4.90	6.53	8.69	6.55	8.72	10.88
41	0.88	2.88	n/a	2.88	5.13	7.13	n/a	9.38	8.00	n/a	12.25
50	0.85	2.86	2.86	2.86	5.02	7.03	7.19	9.35	7.88	10.05	12.21
51	0.88	2.88	n/a	2.88	5.13	7.13	n/a	9.38	8.00	n/a	12.25
57	0.85	2.86	2.86	2.86	5.02	7.03	7.19	9.35	7.88	10.05	12.21
58	0.88	2.88	n/a	2.88	5.13	7.13	n/a	9.38	8.00	n/a	12.25
66	0.85	2.86	2.86	2.86	5.02	7.03	7.19	9.35	7.88	10.05	12.21
80	0.85	2.86	2.86	2.86	5.02	7.03	7.19	9.35	7.88	10.05	12.21
100	0.85	2.86	2.86	2.86	5.02	7.03	7.19	9.35	7.88	10.05	12.21
120	0.85	2.86	2.86	2.86	5.02	7.03	7.19	9.35	7.88	10.05	12.21

**Table 21. 3W coil connection locations - 1 row**

Unit Size	1 Row									
	A	B	C	D	H	R	E	F	L	
3	1.37	8.87	10.87	18.37	20.24	1.25	1.12	2.8	3.92	
4	1.37	8.87	10.87	18.37	20.24	1.25	1.12	2.8	3.92	
6	1.365	10.74	14.99	24.365	26.24	1.5	1.12	2.8	3.92	
8	1.365	11.99	15.74	26.365	28.24	1.5	0.99	2.93	3.92	
10	1.365	11.99	15.74	26.365	28.24	1.5	0.99	2.93	3.92	
12	1.37	15.12	16.62	30.37	32.24	1.5	0.99	2.93	3.92	
14	1.37	15.12	16.62	30.37	32.24	1.5	0.99	2.93	3.92	
17	1.37	18.87	20.87	38.37	40.24	1.5	0.99	2.93	3.92	
21	1.37	19.49	24.24	42.365	43.24	1.5	0.99	2.93	3.92	
25	1.37	25.12	26.62	50.37	52.24	1.5	0.99	2.93	3.92	
30	1.37	25.12	26.62	50.37	52.24	1.5	0.99	2.93	3.92	



## Dimensions

**Table 22. 3W coil connection locations - 2 row**

Unit Size	2 Row								
	A	B	C	D	H	R	E	F	L
3	0.87	8.37	11.87	19.37	20.24	1.50	2.19	4.13	6.32
4	0.87	8.37	11.87	19.37	20.24	1.50	2.19	4.13	6.32
6	0.86	11.49	14.74	25.37	26.24	1.50	2.19	4.13	6.32
8	0.86	12.74	15.49	27.37	28.24	2.00	1.94	4.38	6.32
10	0.86	12.74	15.49	27.37	28.24	2.00	1.94	4.38	6.32
12	0.87	14.62	17.62	28.37	32.24	2.00	1.94	4.38	6.32
14	0.87	14.62	17.62	28.37	32.24	2.00	1.94	4.38	6.32
17	0.87	18.37	21.87	35.87	40.24	2.00	1.94	4.38	6.32
21	0.86	20.24	22.99	42.37	43.24	2.50	1.69	4.63	6.32
25	0.87	24.62	27.62	48.37	52.24	2.50	1.69	4.63	6.32
30	0.87	24.62	27.62	48.37	52.24	2.50	1.69	4.63	6.32

**Table 23. 3W coil connection locations - 4 row**

Unit Size	4 Row								
	A	B	C	D	H	R	E	F	L
3	0.87	8.37	11.87	19.37	20.24	1.50	1.86	4.46	6.32
4	0.87	8.37	11.87	19.37	20.24	1.50	1.86	4.46	6.32
6	0.86	11.49	14.74	25.37	26.24	1.50	1.86	4.46	6.32

**Table 24. 3W coil connection locations - 6 row**

Unit Size	6 Row								
	A	B	C	D	H	R	E	F	L
3	0.87	8.37	11.87	19.37	20.24	1.50	1.73	6.07	7.80
4	0.87	8.37	11.87	19.37	20.24	1.50	1.73	6.07	7.80
6	0.86	11.49	14.74	25.37	26.24	1.50	1.73	6.07	7.80

**Table 25. 3W coil connection locations - 8 row**

Unit Size	8 Row								
	A	B	C	D	H	R	E	F	L
3	0.87	8.37	11.87	19.37	20.24	1.50	1.73	7.80	9.53
4	0.87	8.37	11.87	19.37	20.24	1.50	1.73	7.80	9.53
6	0.86	11.49	14.74	25.37	26.24	1.50	1.73	7.80	9.53



**Table 26. 3U coil connection locations - 4 rows**

Unit Size	4 Row								
	A	B	C	D	H	R	E	F	L
8	0.86	12.74	15.49	27.37	28.24	2.50	1.69	4.63	6.32
10	0.86	12.74	15.49	27.37	28.24	2.50	1.69	4.63	6.32
12	0.87	14.62	17.62	31.37	32.24	2.50	1.69	4.63	6.32
14	0.87	14.62	17.62	31.37	32.24	2.50	1.69	4.63	6.32
17	0.87	18.37	21.87	39.37	40.24	2.50	1.69	4.63	6.32
21	0.86	20.24	22.99	42.37	43.24	2.50	1.69	4.63	6.32
25	1.23	24.62	27.62	51.01	52.24	2.50	1.69	4.63	6.32
30	1.23	24.62	27.62	51.01	52.24	2.50	1.69	4.63	6.32

**Table 27. 3U coil connection locations - 6 rows**

Unit Size	6 Row								
	A	B	C	D	H	R	E	F	L
8	27.36	13.24	14.99	0.87	28.24	2.00	2.17	5.63	7.80
10	27.36	13.24	14.99	0.87	28.24	2.00	2.17	5.63	7.80
12	31.37	15.12	17.12	0.87	32.24	2.50	2.17	5.63	7.80
14	31.37	15.12	17.12	0.87	32.24	2.50	2.17	5.63	7.80
17	39.37	18.87	21.37	0.87	40.24	2.50	2.17	5.63	7.80
21	0.86	20.24	22.99	42.37	43.24	2.50	2.17	5.63	7.80
25	51.37	25.12	27.12	0.87	52.24	2.50	2.17	5.63	7.80
30	51.37	25.12	27.12	0.87	52.24	2.50	2.17	5.63	7.80

**Table 28. 3U coil connection locations - 8 rows**

Unit Size	8 Row								
	A	B	C	D	H	R	E	F	L
8	0.86	12.74	15.49	27.37	28.24	2.50	2.17	7.36	9.53
10	0.86	12.74	15.49	27.37	28.24	2.50	2.17	7.36	9.53
12	0.87	14.62	17.62	31.37	32.24	2.50	2.17	7.36	9.53
14	0.87	14.62	17.62	31.37	32.24	2.50	2.17	7.36	9.53
17	0.87	18.37	21.87	39.37	40.24	2.50	2.17	7.36	9.53
21	0.86	20.24	22.99	42.37	43.24	2.50	2.17	7.36	9.53
25	0.87	24.62	27.62	51.37	52.24	2.50	2.17	7.36	9.53
30	0.87	24.62	27.62	51.37	52.24	2.50	2.17	7.36	9.53

### Integral Face-and-Bypass (IFB) Coils

Figure 15. Integral face-and-bypass coil

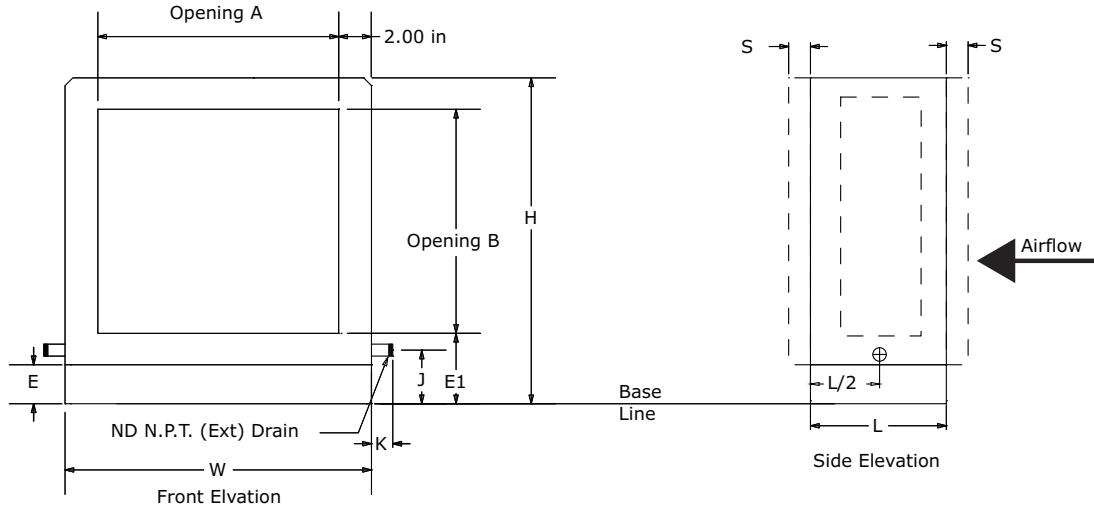


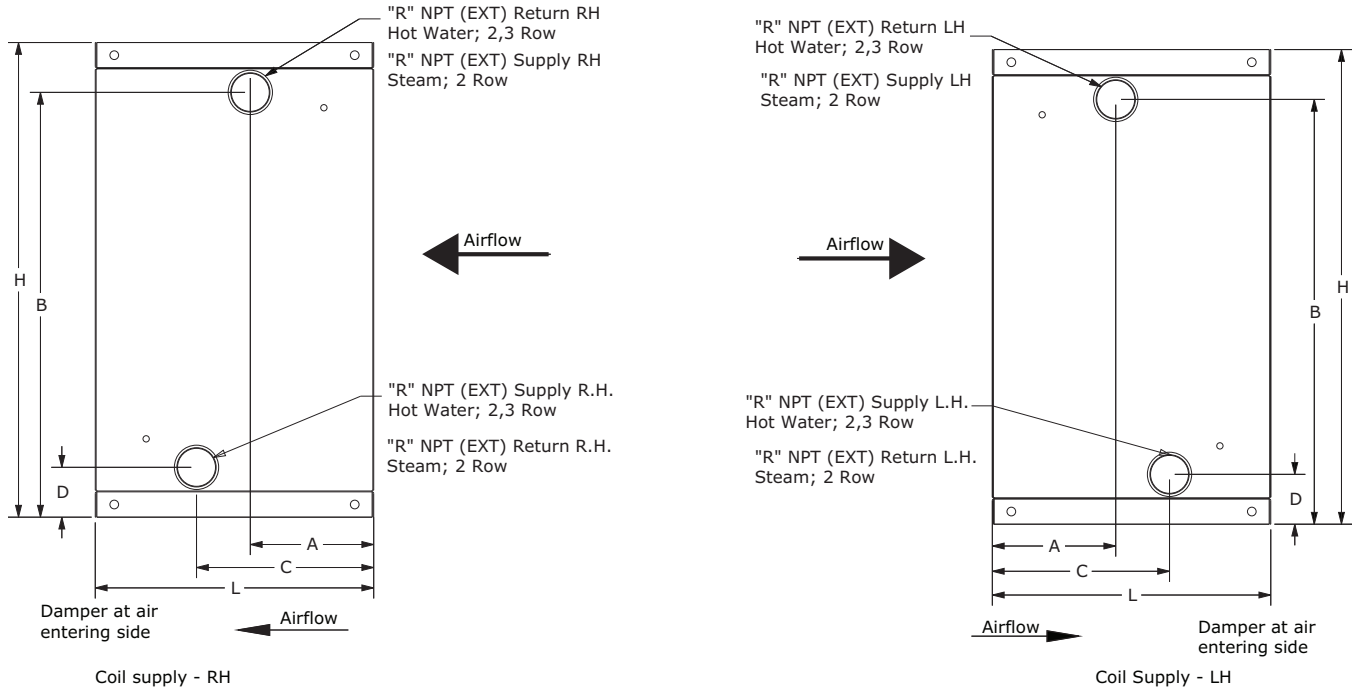
Table 29. Integral face-and-bypass coil dimensions (inches)

Unit size	Model number	W	H	Front/Back Opening		Base <sup>2</sup>		Drain Pan <sup>3</sup>			Med Lg <4 row	Med Lg 4 row	S <sup>1</sup>
				A	B	E	E1	J	K	ND (NPT)	L	L	
4	A-24	44.00	29.00	40.00	22.50	2.50	4.50	3.38	2.63	1.00	26.50	43.00	1.00
6	A-24	44.00	35.25	40.00	28.75	2.50	4.50	3.38	2.63	1.00	26.50	43.00	1.00
8	B-30	50.50	37.75	46.50	31.25	2.50	4.50	3.38	2.63	1.00	26.50	43.00	1.00
10	B-42	61.50	37.75	57.50	31.25	2.50	4.50	3.38	2.63	1.00	26.50	43.00	1.00
12	B-48	66.50	41.50	62.50	35.00	2.50	4.50	3.38	2.63	1.00	26.50	43.00	1.00
14	B-54	72.00	41.50	68.00	35.00	2.50	4.50	3.38	2.63	1.00	26.50	43.00	1.00
17	C-54	72.00	49.00	68.00	42.50	2.50	4.50	3.38	2.63	1.00	26.50	43.00	1.00
21	C-60	80.00	52.75	76.00	46.25	2.50	4.50	3.38	2.63	1.00	26.50	43.00	1.00
25	D-60	80.00	61.50	76.00	55.00	2.50	4.50	3.38	2.63	1.00	26.50	43.00	1.00
30	D-60	93.50	61.50	89.50	55.00	2.50	4.50	3.38	2.63	1.00	26.50	43.00	1.00
35	E-60	100.00	67.25	96.00	60.75	2.00	4.50	3.38	3.63	1.25	29.50	43.00	1.00
40	E-60	112.50	67.25	108.50	60.75	2.00	4.50	3.38	3.63	1.25	29.50	43.00	1.00
50	VB-10	125.50	75.75	121.50	69.25	2.00	4.50	3.38	3.63	1.25	29.50	n/a	1.00
57	VC-10	125.50	85.50	121.50	79.00	2.00	4.50	3.38	3.63	1.25	29.50	n/a	1.00
66	VC-11	140.50	92.50	136.50	82.50	4.50	8.00	6.13	3.63	1.50	29.50	n/a	1.00
80	VD-11	140.50	107.50	136.50	97.50	4.50	8.00	6.13	3.63	1.50	29.50	n/a	1.00
100	VE-12	154.50	119.75	150.50	109.75	4.50	8.00	6.13	3.63	1.50	29.50	n/a	1.00
120	VE-12	182.00	119.75	178.00	109.75	4.50	8.00	6.13	3.63	1.50	29.50	n/a	1.00

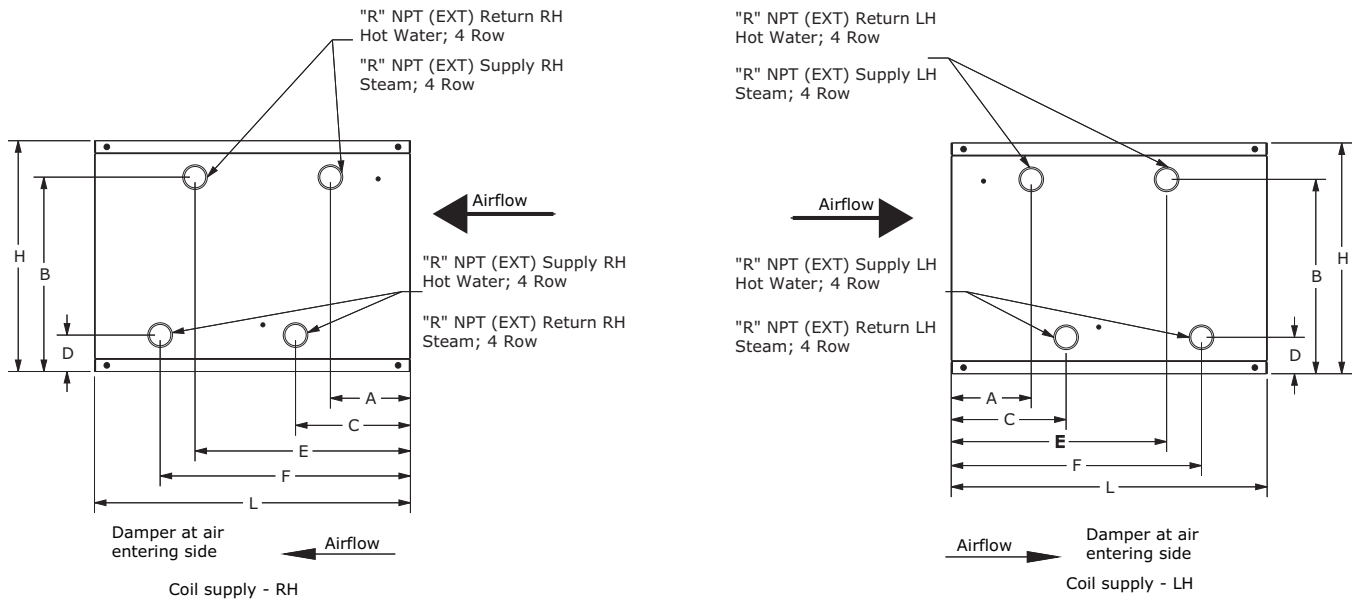
Notes:

- Shipping split flange dimension is for shipping planning purposes only and does not add to installed overall unit length.
- Base line includes the height for standard 2.5-inch integral base frame on unit sizes 3-57 and 6-inch integral base frame on unit sizes 66-120.
- Drain pan connection dimension is nominal pipe size. IAQ drain pan connections can be either LH or RH, but not both.

**Figure 16. Horizontal 2-row or 3-row integral face-and-bypass (IFB) coil connection locations**



**Figure 17. Horizontal 4-row integral face-and-bypass (IFB) coil connection locations**



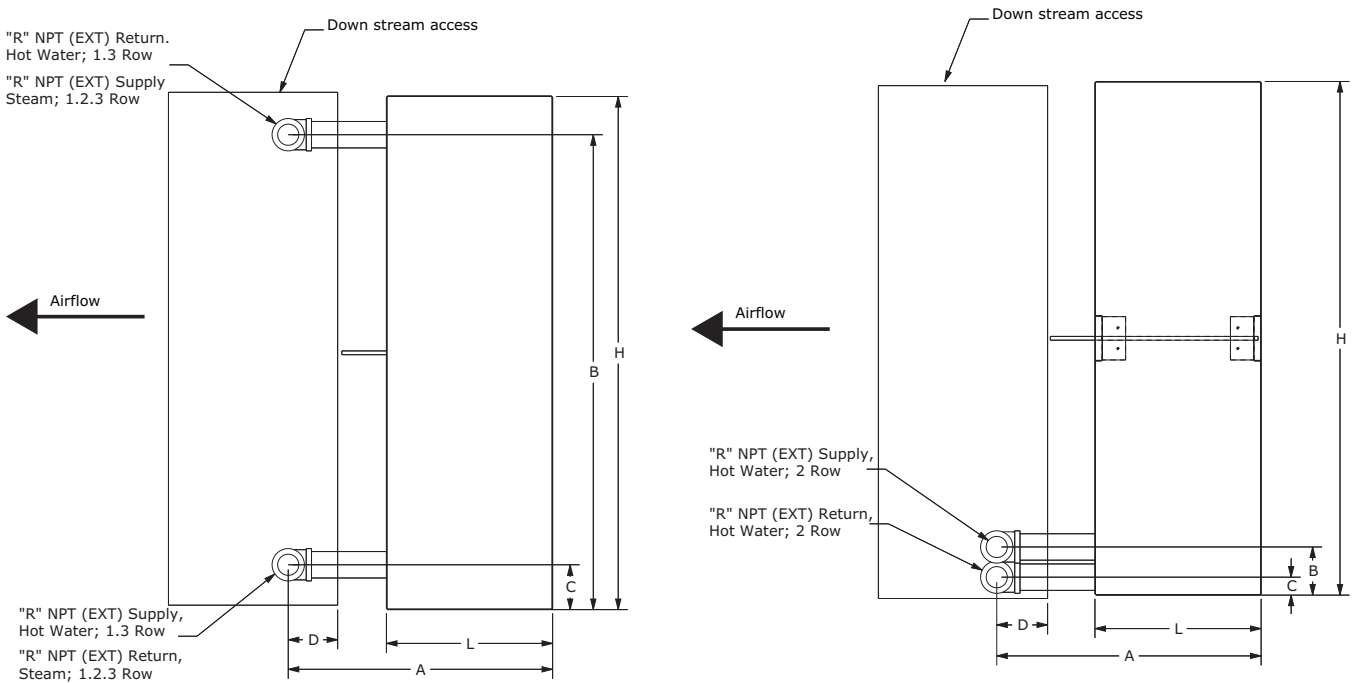
## Dimensions

**Table 30. Horizontal integral face-and-bypass (IFB) coil connection location dimensions (inches) for steam (ST) and hot water (HW) coils**

Unit size	2, 4-row ST; 2, 3, 4-row HW						2-row ST; 2, 3-row HW	4-row ST/HW	2-row ST; 2, 3-row HW	4-row ST/ HW	2-row ST; 2, 3-row HW	4-row ST/ HW
	A	B	C	D	R	H	E		F		L	
4	9.75	16.31	14.00	3.44	3.00	19.75	n/a	26.25	n/a	30.50	22.00	38.50
6	9.75	16.31	14.00	3.44	3.00	19.75	n/a	26.25	n/a	30.50	22.00	38.50
8	9.75	24.69	14.00	3.44	3.00	28.13	n/a	26.25	n/a	30.50	22.00	38.50
10	9.75	24.69	14.00	3.44	3.00	28.13	n/a	26.25	n/a	30.50	22.00	38.50
12	9.75	25.19	14.00	3.94	3.00	29.13	n/a	26.25	n/a	30.50	22.00	38.50
14	9.75	25.19	14.00	3.94	3.00	29.13	n/a	26.25	n/a	30.50	22.00	38.50
17	9.75	33.56	14.00	3.94	3.00	37.50	n/a	26.25	n/a	30.50	22.00	38.50
21	9.75	33.56	14.00	3.94	3.00	37.50	n/a	26.25	n/a	30.50	22.00	38.50
25	9.75	41.94	14.00	3.94	3.00	45.88	n/a	26.25	n/a	30.50	22.00	38.50
30	9.75	41.94	14.00	3.94	3.00	45.88	n/a	26.25	n/a	30.50	22.00	38.50
35	9.75	50.31	14.00	3.94	3.00	54.25	n/a	26.25	n/a	30.50	22.00	38.50
40	9.75	50.31	14.00	3.94	3.00	54.25	n/a	26.25	n/a	30.50	22.00	38.50

Note: IFB coils offer right/left hand header option and do not offer 3-row steam coil for size 4-40.

**Figure 18. Vertical integral face-and-bypass (IFB) coil connection locations**



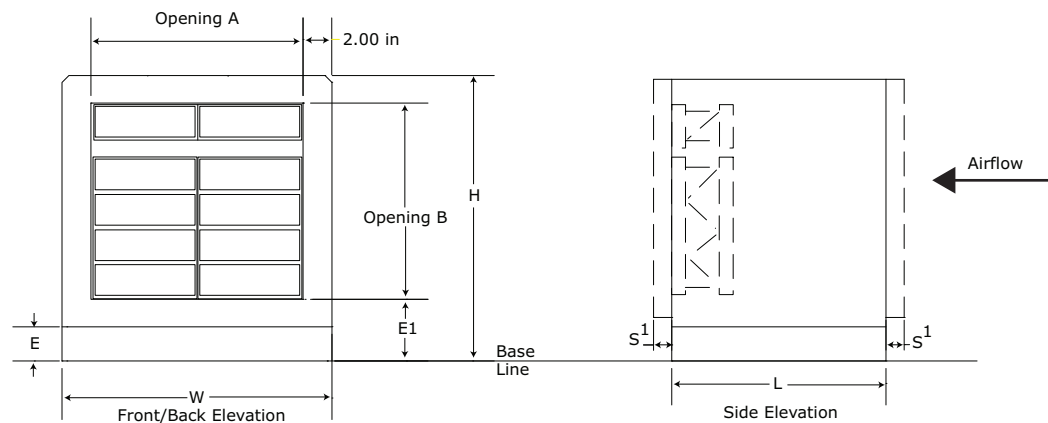
**Table 31. Vertical integral face-and-bypass coils**

Unit size	A	B				C				D	R			H		L
	1-3 Row ST/HW	1-row ST/HW	2-row HW	2-row ST	3-row ST/HW	1-row ST/HW	2-row HW	2-row ST	3-row HW	1-3-row ST/HW	1,2-row HW, 1-row ST	2-row ST	3-row ST/HW	1-row ST/HW	2,3-row ST/HW	1,2,3-row ST/HW
50	35.00	50.88	6.38	52.63	53.13	5.94	2.38	3.13	3.31	7.10	3.00	3.00	4.00	56.00	56.00	22.00
57	35.00	62.88	6.38	64.63	65.13	5.94	2.38	3.13	3.31	7.10	3.00	3.00	4.00	68.00	68.00	22.00
66	35.00	62.88	6.38	64.63	65.13	5.94	2.38	3.63	3.31	7.60	3.00	4.00	4.00	68.00	68.00	22.00
80	35.00	74.88	6.38	76.63	77.13	5.94	2.38	3.63	3.31	7.60	3.00	4.00	4.00	80.00	80.00	22.00
100	35.00	89.94	6.38	94.63	95.13	3.00	2.38	3.63	3.31	7.60	3.00	4.00	4.00	93.69	98.00	22.00
120	35.00	89.94	6.38	94.63	95.13	3.00	2.38	3.63	3.31	7.60	3.00	4.00	4.00	93.69	98.00	22.00

**Note:** HW - Hot Water Coil; ST - Steam Coil. VIFB coils do not offer right/left hand header option but elbows could be flipped to get right/left connections. More details please refer to coil specification.

## Dampers

### Internal Face-and-Bypass Dampers

**Figure 19. Internal face-and-bypass damper**




## Dimensions

**Table 32. Internal face-and-bypass dimensions (inches)**

Unit Size	W	L	H	A	B	Base <sup>2</sup>		Ship split
						E	E1	S <sup>1</sup>
3	31.50	19.00	29.00	27.50	22.50	2.50	4.50	1.00
4	44.00	19.00	29.00	40.00	22.50	2.50	4.50	1.00
6	44.00	19.00	35.25	40.00	28.75	2.50	4.50	1.00
8	50.50	19.00	37.75	46.50	31.25	2.50	4.50	1.00
10	61.50	19.00	37.75	57.50	31.25	2.50	4.50	1.00
12	66.50	19.00	41.50	62.50	35.00	2.50	4.50	1.00
14	72.00	19.00	41.50	68.00	35.00	2.50	4.50	1.00
17	72.00	19.00	49.00	68.00	42.50	2.50	4.50	1.00
21	80.00	19.00	52.75	76.00	46.25	2.50	4.50	1.00
25	80.00	19.00	61.50	76.00	55.00	2.50	4.50	1.00
30	93.50	19.00	61.50	89.50	55.00	2.50	4.50	1.00
35	100.00	19.00	67.25	96.00	60.75	2.50	4.50	1.00
40	112.50	19.00	67.25	108.50	60.75	2.50	4.50	1.00
50	125.50	19.00	75.75	121.50	69.25	2.50	4.50	1.00
57	125.50	19.00	85.50	121.50	79.00	2.50	4.50	1.00
66	140.50	19.00	92.50	136.50	82.50	6.00	8.00	1.00
80	140.50	19.00	107.50	136.50	97.50	6.00	8.00	1.00
100	154.50	19.00	119.75	150.50	109.75	6.00	8.00	1.00
120	182.00	19.00	119.75	178.00	109.75	6.00	8.00	1.00

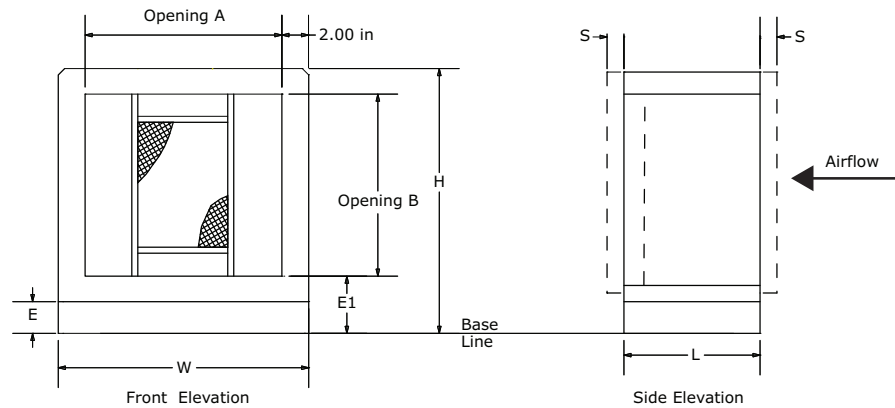
**Notes:**

1. Shipping split flange dimension is for shipping planning purposes only and does not add to installed overall unit length.
2. Base line includes the height for standard 2.5-inch integral base frame on unit sizes 3-57 and 6-inch integral base frame on unit sizes 66-120.

**Table 33. Damper face areas**

Face Damper Area (ft <sup>2</sup> )	Bypass Damper Area (ft <sup>2</sup> )
1.63	1.32
2.50	2.04
2.76	2.04
4.74	2.41
5.97	3.04
9.26	3.32
10.14	3.64
12.56	3.64
15.55	5.45
16.85	6.96
20.02	8.27
18.73	11.83
20.77	13.12
32.28	14.90
36.63	14.90
46.62	16.96
56.51	16.96
76.27	18.87
91.48	22.64

# Diffuser

**Figure 20. Diffuser section**

**Table 34. Diffuser section dimensions (inches)**

Unit Size	W	L	H	Front/Back Opening		Base <sup>2</sup>		Ship split
				A	B	E	E1	S <sup>1</sup>
3	31.50	10.00	29.00	27.50	22.50	2.50	4.50	1.00
4	44.00	10.00	29.00	40.00	22.50	2.50	4.50	1.00
6	44.00	10.00	35.25	40.00	28.75	2.50	4.50	1.00
8	50.50	14.00	37.75	46.50	31.25	2.50	4.50	1.00
10	61.50	14.00	37.75	57.50	31.25	2.50	4.50	1.00
12	66.50	14.00	41.50	62.50	35.00	2.50	4.50	1.00
14	72.00	14.00	41.50	68.00	35.00	2.50	4.50	1.00
17	72.00	14.00	49.00	68.00	42.50	2.50	4.50	1.00
21	80.00	14.00	52.75	76.00	46.25	2.50	4.50	1.00
25	80.00	19.00	61.50	76.00	55.00	2.50	4.50	1.00
30	93.50	19.00	61.50	89.50	55.00	2.50	4.50	1.00
35	100.00	24.50	67.25	96.00	60.75	2.50	4.50	1.00
40	112.50	24.50	67.25	108.50	60.75	2.50	4.50	1.00
50	125.50	24.50	75.75	121.50	69.25	2.50	4.50	1.00
57	125.50	24.50	85.50	121.50	79.00	2.50	4.50	1.00
66	140.50	27.50	92.50	136.50	82.50	6.00	8.00	1.00
80	140.50	37.25	107.50	136.50	97.50	6.00	8.00	1.00
100	154.50	37.25	119.75	150.50	109.75	6.00	8.00	1.00
120	182.00	37.25	119.75	178.00	109.75	6.00	8.00	1.00

**Notes:**

- Shipping split flange dimension is for shipping planning purposes only and does not add to installed overall unit length.
- Base line includes the height for standard 2.5-inch integral base frame on unit sizes 3-57 and 6-inch integral base frame on unit sizes 66-120.

## Electric Heat

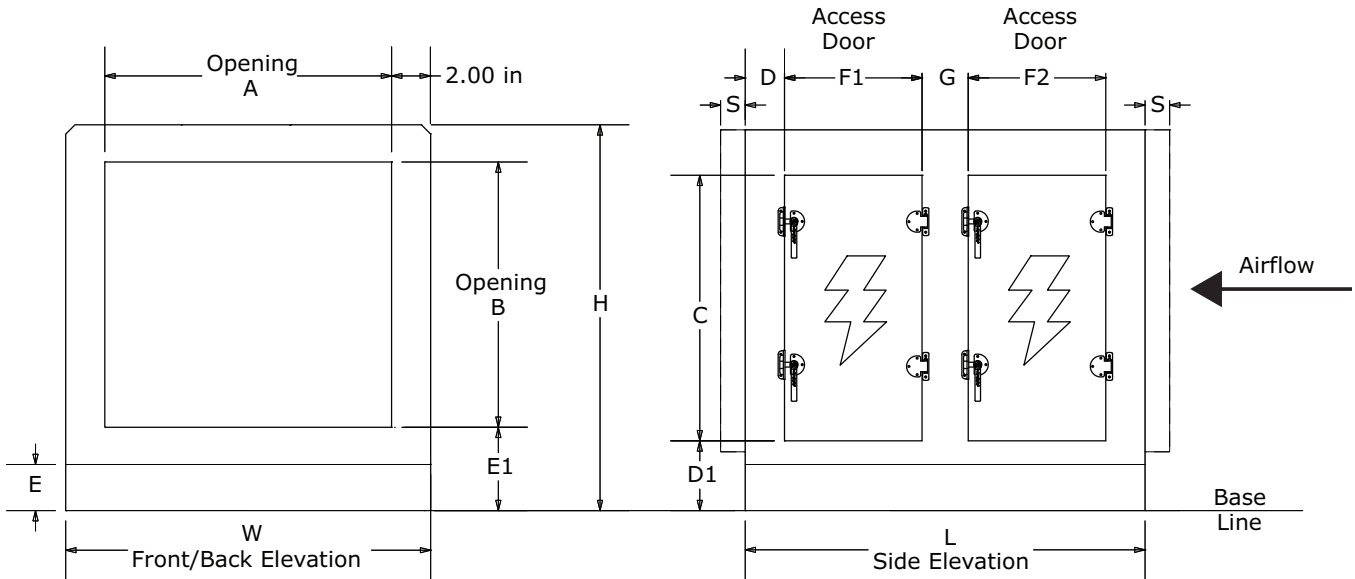


Table 35. Electric heat dimensions (inches)

Unit Size	W	L	H	A	B	C	D	D1	Base <sup>2</sup>		F1	F2	G	Ship split S <sup>1</sup>
									E	E1				
3	31.50	36.00	29.00	27.50	22.50	22.25	12.00	4.25	2.50	4.50	22.00	n/a	n/a	1.00
4	44.00	41.00	29.00	40.00	22.50	22.25	12.00	4.25	2.50	4.50	26.75	n/a	n/a	1.00
6	44.00	41.00	35.25	40.00	28.75	28.50	12.00	4.25	2.50	4.50	26.75	n/a	n/a	1.00
8	50.50	44.00	37.75	46.50	31.25	31.00	12.00	4.25	2.50	4.50	26.75	n/a	n/a	1.00
10	61.50	42.50	37.75	57.50	31.25	31.00	12.00	4.25	2.50	4.50	26.75	n/a	n/a	1.00
12	66.50	42.50	41.50	62.50	35.00	34.75	12.00	4.25	2.50	4.50	26.75	n/a	n/a	1.00
14	72.00	42.50	41.50	68.00	35.00	34.75	12.00	4.25	2.50	4.50	29.00	n/a	n/a	1.00
17	72.00	44.00	49.00	68.00	42.50	42.25	12.00	4.25	2.50	4.50	29.00	n/a	n/a	1.00
21	80.00	50.25	52.75	76.00	46.25	46.00	12.00	4.25	2.50	4.50	31.00	n/a	n/a	1.00
25	80.00	46.00	61.50	76.00	55.00	54.75	12.00	4.25	2.50	4.50	31.00	n/a	n/a	1.00
30	93.50	56.50	61.50	89.50	55.00	54.75	12.00	4.25	2.50	4.50	18.75	18.75	4.25	1.00
35	100.00	63.75	67.25	96.00	60.75	60.50	12.00	4.25	2.50	4.50	22.38	22.38	4.25	1.00
40	112.50	63.75	67.25	108.50	60.75	60.50	12.00	4.25	2.50	4.50	22.38	22.38	4.25	1.00
50	125.50	68.50	75.75	121.50	69.25	69.00	12.63	4.25	2.50	4.50	23.38	23.38	4.25	1.00
57	125.50	48.00	85.50	121.50	79.00	78.75	12.13	4.25	2.50	4.50	31.00	n/a	n/a	1.00
66	140.50	49.00	92.50	136.50	82.50	82.25	12.00	7.75	6.00	8.00	31.00	n/a	n/a	1.00

Notes:

- Shipping split flange dimension is for shipping planning purposes only and does not add to installed overall unit length.
- Base line includes the height for standard 2.5-inch integral base frame on unit sizes 3-57 and 6-inch integral base frame on unit sizes 66-120.



# Energy Wheels

Figure 21. Energy wheel sizes 4-21

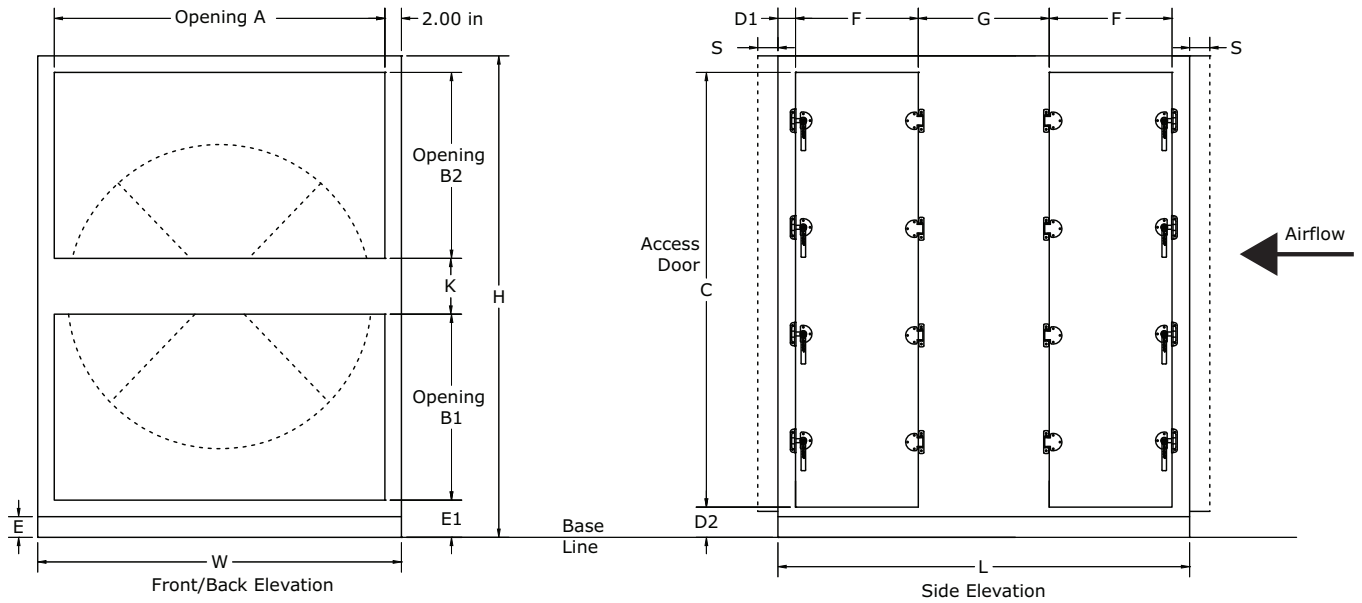
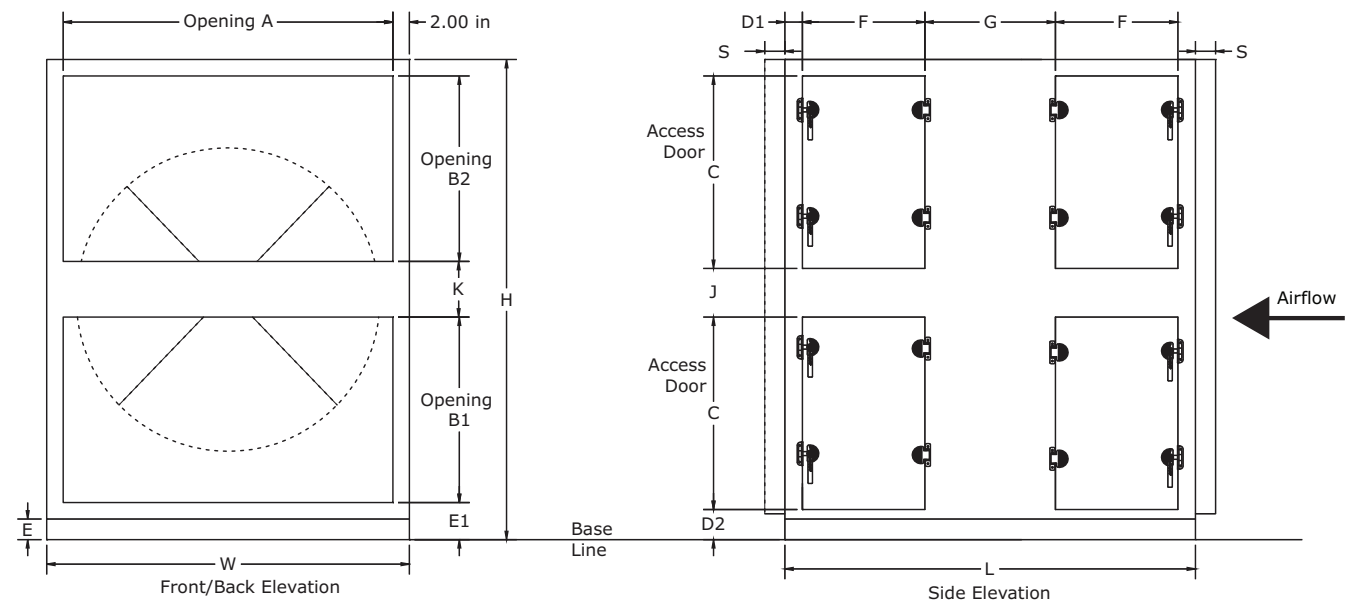


Figure 22. Energy wheel sizes 25-50





## Dimensions

**Table 36. Energy wheel dimensions (inches)**

Unit Size	W	H	L	Front/Back Opening			Outward Door <sup>4</sup>						Base <sup>2</sup>				
				A	B1	B2	Hinge <sup>3</sup>	C	D1	D2	F	G	J	K	E	E1	S <sup>1</sup>
4	44.00	58.25	52.25	40.00	22.50	22.50	AE	51.50	2.13	4.25	14.88	18.50		6.75	2.50	4.50	1.00
6	44.00	70.75	52.25	40.00	28.75	28.75	AE	64.00	2.13	4.25	14.88	18.50		6.75	2.50	4.50	1.00
8	50.50	75.75	52.25	46.50	31.25	31.25	AE	69.00	2.13	4.25	14.88	18.50		6.75	2.50	4.50	1.00
10	61.50	75.75	54.40	57.50	31.25	31.25	AE	69.00	2.13	4.25	14.88	20.75		6.75	2.50	4.50	1.00
12	66.50	83.25	57.50	62.50	35.00	35.00	AE	76.50	2.13	4.25	14.88	23.75		6.75	2.50	4.50	1.00
14	72.00	83.25	57.50	68.00	35.00	35.00	AE	76.50	2.13	4.25	14.88	23.75		6.75	2.50	4.50	1.00
17	72.00	98.25	57.50	68.00	42.50	42.50	AE	91.50	2.13	4.25	14.88	23.75		6.75	2.50	4.50	1.00
21	80.00	105.75	55.50	76.00	46.25	46.25	AE	99.00	2.13	4.25	14.88	21.75		6.75	2.50	4.50	1.00
25	80.00	123.25	55.50	76.00	55.00	55.00	AE	54.75	2.13	4.25	14.88	21.75	7.13	6.75	2.50	4.50	1.00
30	93.50	123.25	57.50	89.50	55.00	55.00	AE	54.75	2.13	4.25	14.88	23.75	7.13	6.75	2.50	4.50	1.00
35	100.00	134.75	61.25	96.00	60.75	60.75	AE	60.50	2.13	4.25	14.88	27.50	7.13	6.75	2.50	4.50	1.00
40	112.50	134.75	64.75	108.50	60.75	60.75	AE	60.50	2.13	4.25	14.88	31.00	7.13	6.75	2.50	4.50	1.00
50	125.50	151.75	64.75	121.50	69.25	69.25	AE	69.00	2.13	4.25	14.88	31.00	7.13	6.75	2.50	4.50	1.00

**Notes:**

- Shipping split flange dimension is for shipping planning purposes only and does not add to installed overall unit length.
- Base line includes the height for standard 2.5-inch integral base frame on unit sizes 3-57 and 6-inch integral base frame on unit sizes 66-120.
- Hinged on air-entering (AE) side or air-leaving (AL) side.
- Outward swing door opening is (F-2.73) by (C-1.80).

**Table 37. Energy wheel availability**

Unit Size	Wheel Size								
	One Bypass Damper <sup>(a)</sup>	Two Bypass Dampers							
4	2200	1500	900						
6		2200	1500	900					
8		3000	2200	1500					
10	5000	4000	3000	2200					
12	6000	5000	4000	3000	2200				
14	7000	6000	5000	4000	3000	2200			
17		7000	6000	5000	4000	3000			
21		8500	7000	6000	5000	4000	3000		
25		8500	7000	6000	5000	4000			
30		12,500	10,500	8500	7000	6000	5000	4000	
35	17,500	15,000	12,500	10,500	8500	7000	6000	5000	
40	20,000	17,500	15,000	12,500	10,500	8500	7000	6000	5000
50	25,000	20,000	17,500	15,000	12,500	10,500	8500	7000	

(a) Wheel option is not available at the unit nominal air flow for unit sizes 3,6,8,17,21,25 and 30.

Figure 23. Energy wheel cassette

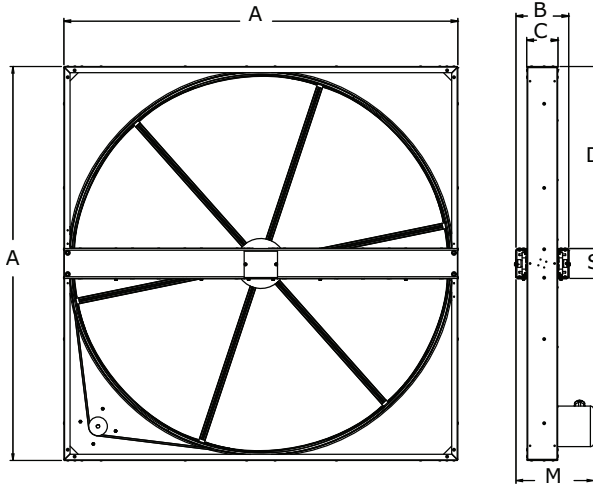
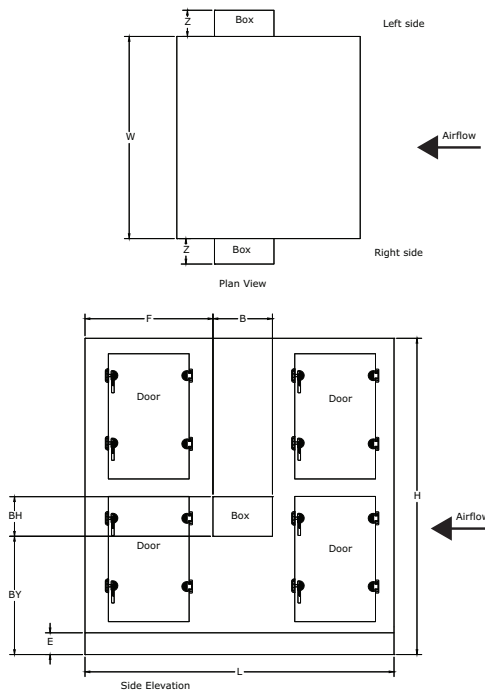


Table 38. Energy wheel cassette dimensions (inches)

Unit sizes	CFM	A	B	C	D	S	M
4,6	900	29.00	5.57	2.49	13.48	2.04	6.67
4,6,8	1500	34.00	5.57	2.49	15.98	2.04	6.67
6, 8, 10, 12, 14	2200	39.80	7.44	4.36	18.49	2.82	10.82
8, 10, 12, 14, 17, 21	3000	44.00	7.52	4.36	19.87	4.27	11.08
10, 12, 14, 17, 21, 25, 30	4000	50.00	7.52	4.36	22.87	4.27	11.08
10, 12, 14, 17, 21, 25, 30, 35	5000	56.20	7.62	4.46	25.96	4.27	11.08
12, 14, 17, 21, 25, 30, 35, 40	6000	62.40	10.17	6.07	28.71	5.00	15.36
14, 17, 21, 25, 30, 35, 40, 50	7000	68.00	10.17	6.07	31.50	5.00	15.36
21, 25, 30, 35, 40, 50	8500	72.00	11.17	7.07	33.00	6.00	15.86
30, 35, 40, 50	10,500	78.00	11.17	7.07	36.00	6.00	15.86
30, 35, 40, 50	12,500	85.00	13.17	7.07	39.00	7.00	16.86
35, 40, 50	15,000	91.00	16.10	10.00	42.00	7.00	18.33
35, 40, 50	17,500	96.00	16.10	10.00	44.50	7.00	18.33
40, 50	20,000	108.00	20.60	14.00	50.00	8.00	20.70
50	25,000	115.00	20.60	14.00	53.50	8.00	22.70

Figure 24. Energy wheel external junction box and starter enclosure



## Fans/Motors

Special note about the Precision Motor HP option: To use these tables, the nameplate HP of the motor and the VFD—both of which will be greater than the Precision Motor HP—must be known.

## VFD Weights

With the exception of motorized impellers, fan weight does not include starter/VFD weight. See [Table 39](#) for approximate starter/VFD weight.

**Table 39. Approximate starter and VFD weights per horsepower (lbs.)**

Horsepower	1	1 1/2	2	3	5	7 1/2	10	15	20	25	30	40	50	60	75	100	125
VFD <sup>2</sup>	123	123	132	124	125	136	151	162	177	197	241	325	332	243	258	294	314

**Notes:**

1. These weights represent the largest available starter.
2. VFD weights include transformer, distribution block, and enclosure.

## Motor Weights

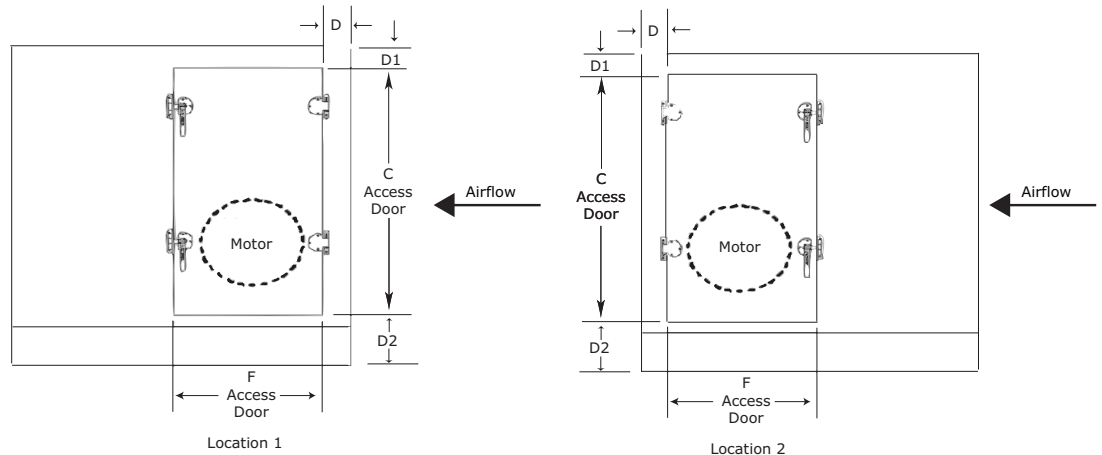
Fan weights provided in this manual include the heaviest ODP (open drip-proof) motor. In the case of motorized impellers, fan weights include the packaged motor.

**Table 40. Approximate motor weights (pounds)**

Motor Type	Motor RPM	Horsepower																	
		3/4	1	1-1/2	2	3	5	7-1/2	10	15	20	25	30	40	50	60	75	100	125
Energy efficient ODP (EEOP)	1800	24	29																
NEMA Premium ODP (HEOP)	1200		39	77	91	147	126	249	300	375	443	594	667						
NEMA Premium TEFC (HETC)			56	96	109	148	185	310	341	423	481	614	655						
NEMA Premium ODP (HEOP)	1800		36	42	47	76	82	118	148	234	263	330	379	488	521	698	808	1114	1238
NEMA Premium TEFC (HETC)			47	54	56	91	108	159	185	285	315	452	481	578	670	808	889	1239	1466
NEMA Premium ODP (HEOP)	3600		36	36	37	89	104	173	203	267	243	261	407						
NEMA Premium TEFC (HETC)			36	53	62	85	103	154	176	287	322	448	496						

## Fan Types and Orientation

**Figure 25. Fan access doors**



**Table 41. Fan type, orientation and door locations**

Unit Size	Fan Type	Fan Orientation	Access Door Location
3-120	Direct-drive plenum fan	All	Location 2
3-57	Motorized Impeller Fan	All	Verify on unit submittal

## Filters

### Filter Sizes and Types

Filter Type	Unit Size	3	4	6	8	10	12	14
Side-load 2-in. and 4-in. flat filter and 2-in./4-in. high efficiency combination filter	Area (ft <sup>2</sup> )	3.47	5.56	6.94	7.33	9.72	13.33	14.44
	Qty-Size	1 - 20x25	2 - 20x20	2 - 20x25	1 - 24x20 1 - 24x24	2 - 20x25 1 - 16x25	3 - 16x20 3 - 16x20	4 - 16x20 2 - 16x25
Side-load 2-in. and 4-in. angled filter	Area (ft <sup>2</sup> )	5.56	8.89	8.89	11.11	13.89	16.67	18.06
	Qty-Size	2 - 16x25	4 - 16x20	4 - 16x20	4 - 20x20	4 - 25x20	6 - 20x20	2 - 20x25 4 - 20x20
Side-load bag/cartridge filter and pre-filter	Area (ft <sup>2</sup> )	3.33	5.56	6.67	8.00	8.67	12.33	13.44
	Qty-Size	1 - 20x24	2 - 20x20	2 - 24x20	4 - 24x12	2 - 24x20 1 - 24x12	3 - 20x20 2 - 12x24	2 - 20x24 1 - 20x20 2 - 12x24
Front-load 2-in. and 4-in. flat filter	Area	2.00	2.00	6.00	6.00	8.00	10.00	10.00
	Qty-Size	1 - 12x24	1 - 12x24	1 - 24x24 1 - 24x12	1 - 12x24 1 - 24x24	1 - 24x30 1 - 24x24	1 - 12x24 2 - 24x24	1 - 24x12 2 - 24x24
Front-load bag/cartridge filter and pre-filter	Area	2.00	2.00	6.00	6.00	8.00	10.00	10.00
	Qty-Size	1 - 12x24	1 - 12x24	1 - 24x24 1 - 24x12	1 - 12x24 1 - 24x24	1 - 24x30 1 - 24x24	1 - 12x24 2 - 24x24	1 - 24x12 2 - 24x24
Front-load HEPA filters	Area	2.00	2.00	6.00	7.00	9.00	10.00	10.00
	Qty-Size	1 - 12x24	1 - 12x24	1 - 24x24 1 - 24x12	1 - 24x30 1 - 24x12	1 - 24x30 1 - 24x24	2 - 30x24	2 - 30x24
Filter Type	Unit Size	17	21	25	30	35	40	50
Side-load 2-in. and 4-in. flat filter and 2-in./4-in. high efficiency combination filter	Area (ft <sup>2</sup> )	18.89	21.53	27.11	30.44	37.22	40.83	55.00
	Qty-Size	4 - 20x24 2 - 20x20	3 - 25x20 1 - 25x16 3 - 16x25	6 - 20x20 2 - 20x16 3 - 12x24	6 - 20x24 2 - 20x16 3 - 12x24	8 - 20x24 3 - 16x25 1 - 16x20	8 - 20x20 2 - 20x25 4 - 16x20 1 - 16x25	12 - 25x20 4 - 16x25 1 - 16x20
Side-load 2-in. and 4-in. angled filter	Area (ft <sup>2</sup> )	28.89	33.33	50.00	56.67	63.33	70.00	100.00
	Qty-Size	4 - 16x25 8 - 16x20	12 - 25x16	18 - 25x16	6 - 16x25 18 - 16x20	18 - 16x25 6 - 16x20	6 - 16x25 24 - 16x20	36 - 20x20
Side-load bag/cartridge filter and pre-filter	Area (ft <sup>2</sup> )	18.89	22.00	26.00	28.22	34.67	36.00	50.00
	Qty-Size	4 - 20x24 2 - 20x20	3 - 24x24 3 - 20x24	6 - 20x24 3 - 12x24	8 - 20x20 3 - 12x24	8 - 20x24 4 - 12x24	8 - 24x24 2 - 24x12	10 - 24x24 5 - 12x24
Front-load 2-in. and 4-in. flat filter	Area	14.00	18.00	24.00	28.00	34.00	38.00	50.00
	Qty-Size	2 - 12x24 1 - 24x12 2 - 24x24	3 - 12x24 3 - 24x24	6 - 24x24	2 - 12x24 6 - 24x24	3 - 12x24 2 - 24x12 6 - 24x24	3 - 12x24 8 - 24x24	5 - 12x24 10 - 24x24
Front-load bag/cartridge filter and pre-filter	Area	14.00	18.00	24.00	28.00	34.00	38.00	50.00
	Qty-Size	2 - 12x24 1 - 24x12 2 - 24x24	3 - 12x24 3 - 24x24	6 - 24x24	2 - 12x24 6 - 24x24	3 - 12x24 2 - 24x12 6 - 24x24	3 - 12x24 8 - 24x24	5 - 12x24 10 - 24x24
Front-load HEPA filters	Area	14.00	21.00	24.00	28.00	30.00	37.00	46.00
	Qty-Size	2 - 24x30 2 - 12x24	3 - 30x24 3 - 12x24	4 - 24x30 2 - 24x12	4 - 24x30 2 - 24x24	3 - 24x30 3 - 30x24	3 - 24x30 1 - 24x12 4 - 30x24	6 - 24x30 2 - 24x24 4 - 12x24

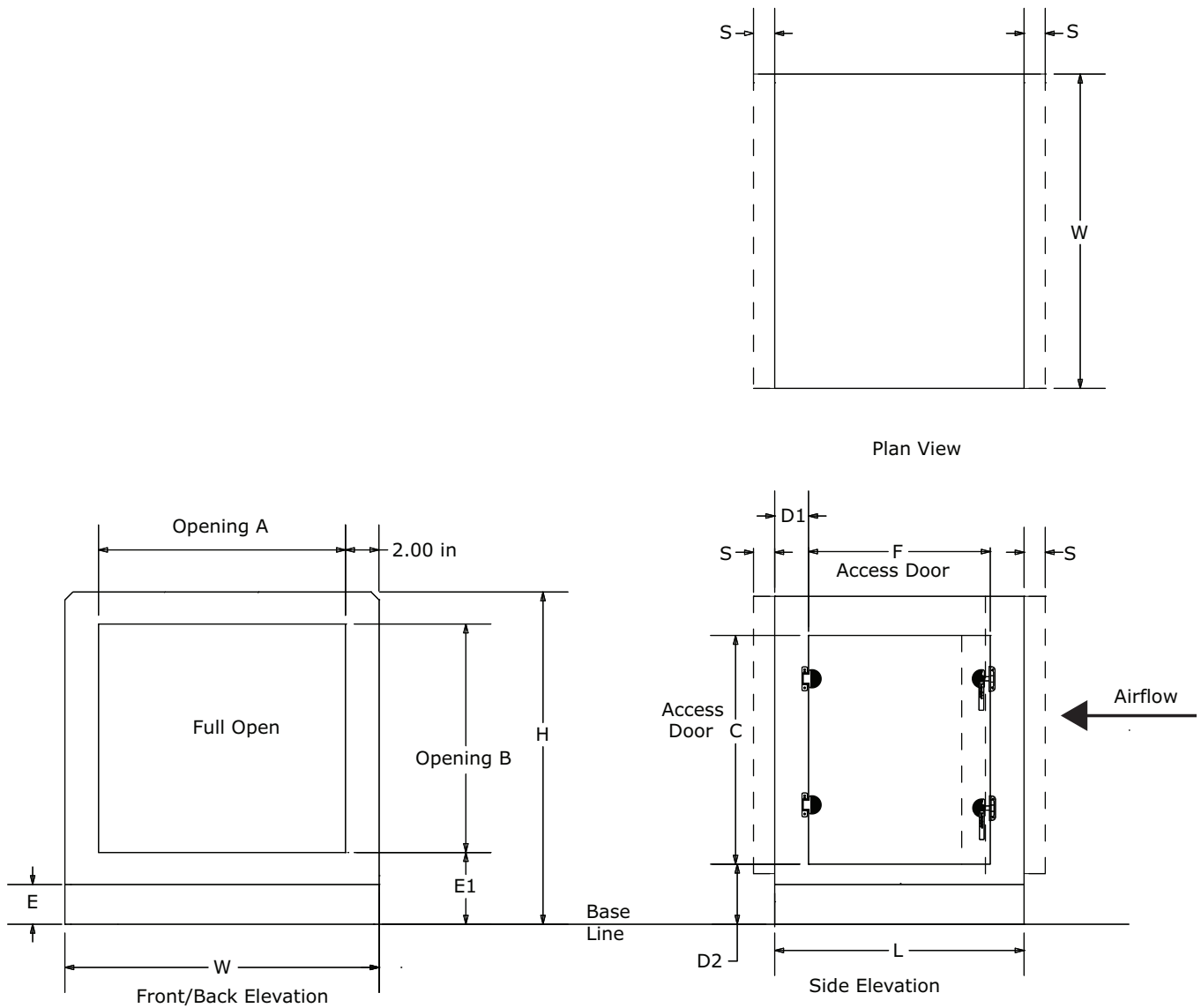


## Dimensions

Filter Type	Unit Size	57	66	80	100	120	
Side-load 2-in. and 4-in. flat filter and 2-in./4-in. high efficiency combination filter	Area (ft <sup>2</sup> )	63.33	75.56	85.56	104.17	122.22	
	Qty-Size	12 - 20x25		20 - 20x24	20 - 20x24		32 - 25x20
		3 - 20x20 4 - 16x25 1 - 16x20		4 - 20x16	4 - 20x16 5 - 12x24	30 - 20x25	4 - 25x16
Side-load 2-in. and 4-in. angled filter	Area (ft <sup>2</sup> )	100.00	113.33	151.11	166.67	194.44	
	Qty-Size	36 - 20x20	36 - 20x20 6 - 16x20	48 - 20x20 8 - 16x20	48 - 20x25	56 - 25x20	
Side-load bag/cartridge filter and pre-filter	Area (ft <sup>2</sup> )	60.00	66.67	88.00	113.33	134.00	
	Qty-Size	15 - 24x24	20 - 20x24	20 - 24x24 4 - 24x12	28 - 24x20 4 - 24x12 6 - 12x24	28 - 24x24 4 - 24x12 7 - 12x24	
Front-load 2-in. and 4-in. flat filter	Area	60.00	66.00	86.00	106.00	124.00	
	Qty-Size	15 - 24x24	3 - 24x12 15 - 24x24	1 - 12x24 4 - 12x24 19 - 24x24	5 - 12x24 24 - 24x24	6 - 12x24 28 - 24x24	
Front-load bag/cartridge filter and pre-filter	Area	60.00	66.00	86.00	106.00	124.00	
	Qty-Size	15 - 24x24	3 - 24x12 15 - 24x24	1 - 12x24 4 - 12x24 19 - 24x24	5 - 12x24 24 - 24x24	6 - 12x24 28 - 24x24	
Front-load HEPA filters	Area	57.00	66.00	76.00	102.00	119.00	
	Qty-Size	9 - 24x30 3 - 24x24	12 - 24x30 3 - 24x12	12 - 24x30 3 - 24x12 5 - 12x24	18 - 30x24 6 - 12x24	21 - 30x24 7 - 12x24	

### Side-loading 2-inch and 4-inch Flat Filter Section

Figure 26. Side loading 2-inch and 4-inch flat filter section





## Dimensions

**Table 42. Side loading 2-inch and 4-inch flat filter section dimensions (inches)**

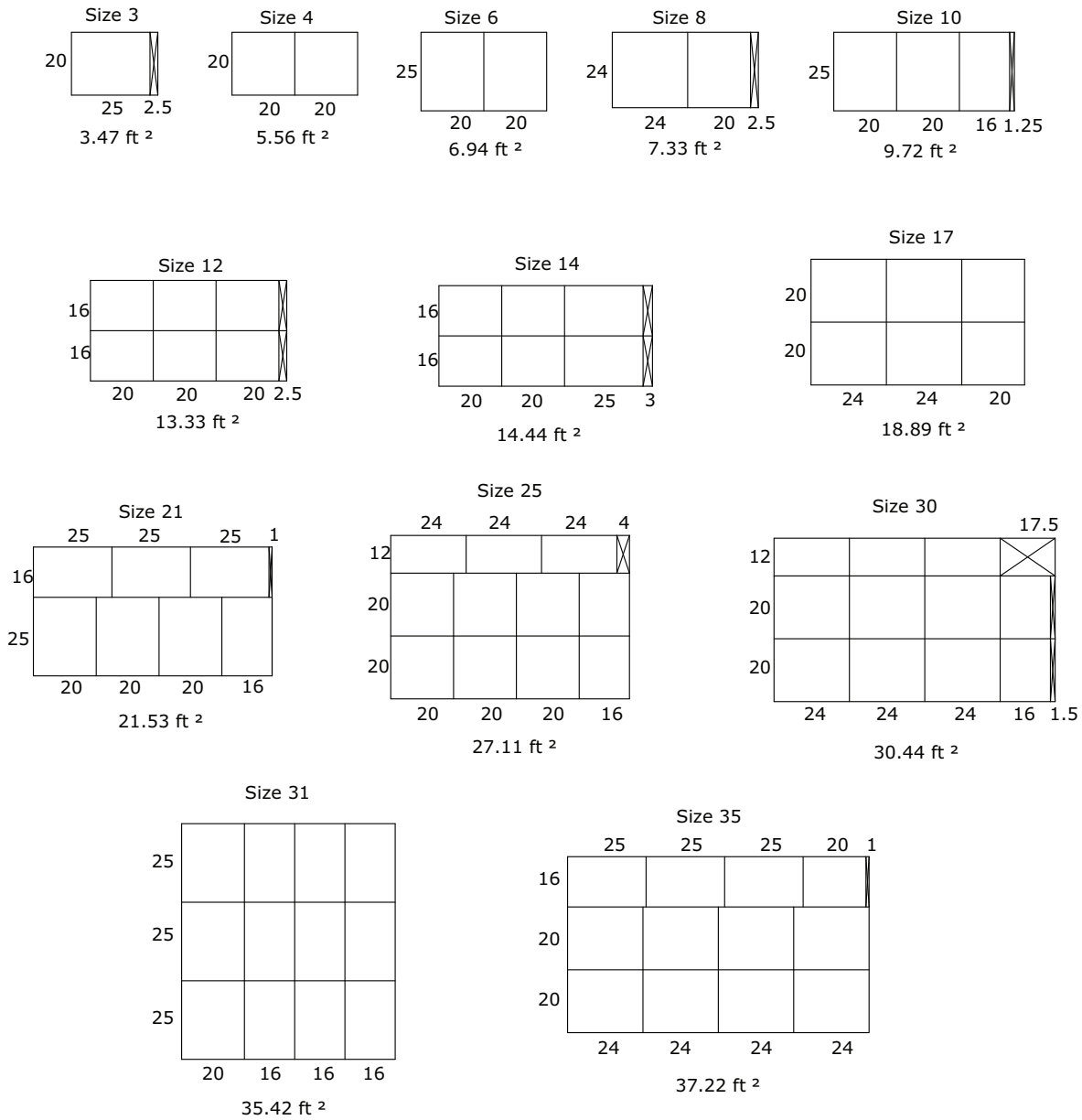
Unit Size	W	H	L	Front/Back Opening		Outward Door				Base <sup>2</sup>		S <sup>1</sup>
				A	B	C	F	D1	D2	E	E1	
3	31.50	29.00	14.00	27.50	22.50	22.25	9.88	2.13	4.25	2.50	4.50	1.00
4	44.00	29.00	14.00	40.00	22.50	22.25	9.88	2.13	4.25	2.50	4.50	1.00
6	44.00	35.25	14.00	40.00	28.75	28.50	9.88	2.13	4.25	2.50	4.50	1.00
8	50.50	37.75	14.00	46.50	31.25	31.00	9.88	2.13	4.25	2.50	4.50	1.00
10	61.50	37.75	14.00	57.50	31.25	31.00	9.88	2.13	4.25	2.50	4.50	1.00
12	66.50	41.50	14.00	62.50	35.00	34.75	9.88	2.13	4.25	2.50	4.50	1.00
14	72.00	41.50	14.00	68.00	35.00	34.75	9.88	2.13	4.25	2.50	4.50	1.00
17	72.00	49.00	14.00	68.00	42.50	42.25	9.88	2.13	4.25	2.50	4.50	1.00
21	80.00	52.75	14.00	76.00	46.25	46.00	9.88	2.13	4.25	2.50	4.50	1.00
25	80.00	61.50	14.00	76.00	55.00	54.75	9.88	2.13	4.25	2.50	4.50	1.00
30	93.50	61.50	14.00	89.50	55.00	54.75	9.88	2.13	4.25	2.50	4.50	1.00
35	100.00	67.25	14.00	96.00	60.75	60.5	9.88	2.13	4.25	2.50	4.50	1.00
40	112.50	67.25	14.00	108.50	60.75	60.50	9.88	2.13	4.25	2.50	4.50	1.00
50	125.50	75.75	14.00	121.50	69.25	69.00	9.88	2.13	4.25	2.50	4.50	1.00
57	125.50	85.50	14.00	121.50	79.00	78.75	9.88	2.13	4.25	2.50	4.50	1.00
66	140.50	92.50	15.00	136.50	82.50	82.25	10.88	2.13	7.75	6.00	8.00	1.00
80	140.50	107.50	15.00	136.50	97.50	97.25	10.88	2.13	7.75	6.00	8.00	1.00
100	154.50	119.75	15.00	150.50	109.75	109.50	10.88	2.13	7.75	6.00	8.00	1.00
120	182.00	119.75	15.00	178.00	109.75	109.50	10.88	2.13	7.75	6.00	8.00	1.00

**Notes:**

1. Shipping split flange dimension is for shipping and installation planning purposes only and does not add to installed overall unit length.
2. Base line includes the height for standard 2.5-inch integral base frame on unit sizes 3-57 and 6-inch integral base frame on unit sizes 66-120.

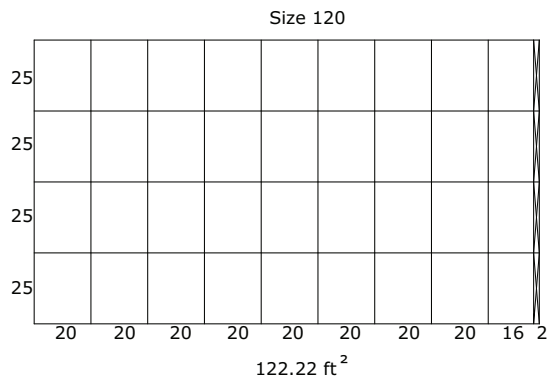
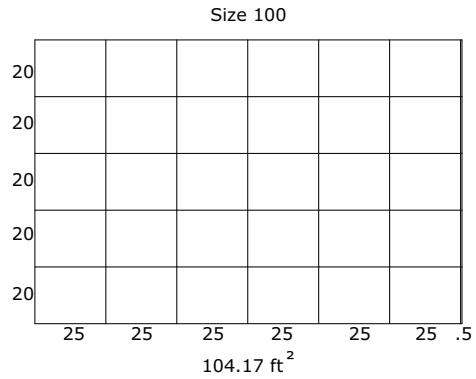
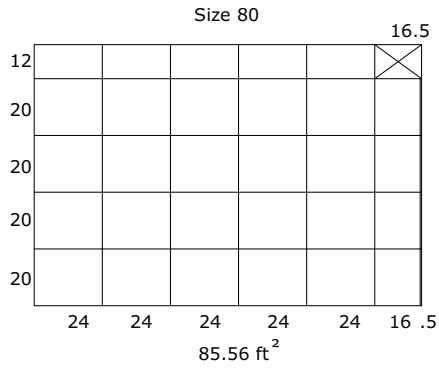
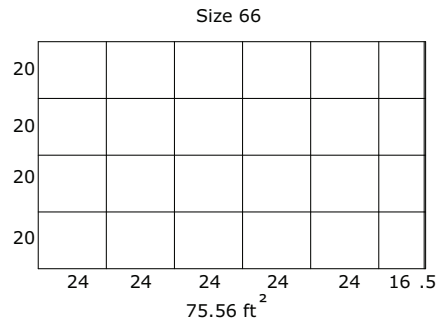
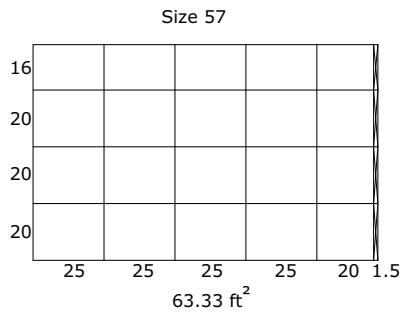
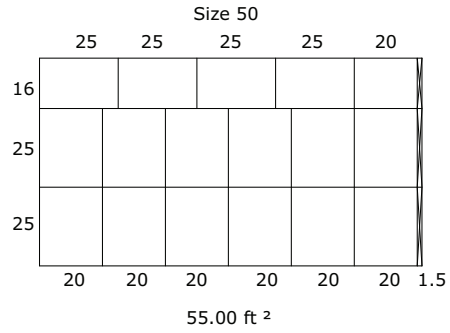
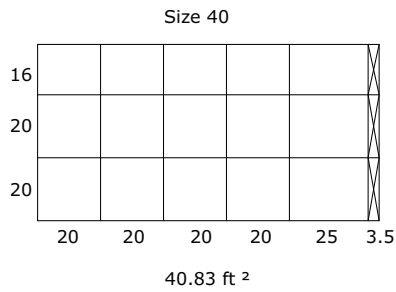


Figure 27. Side loading 2-inch and 4-inch flat filter placement for unit sizes 3 - 35



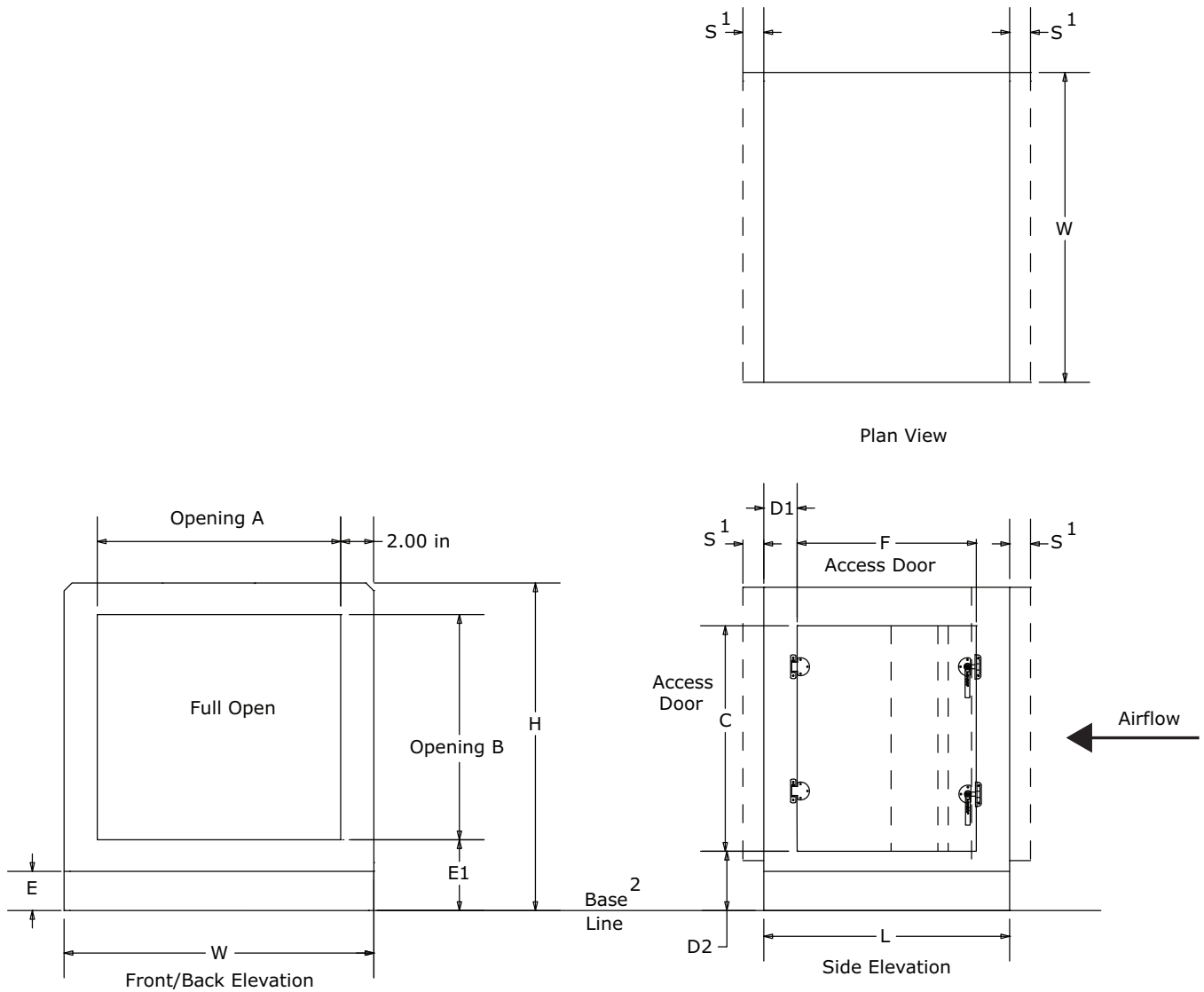
## Dimensions

**Figure 28. Side loading 2-inch and 4-inch flat filter placement for unit sizes 40 -120**



### Side Loading 2-inch/4-inch Combination Flat Filter Section

Figure 29. Side loading 2-inch/4-inch combination flat filter section





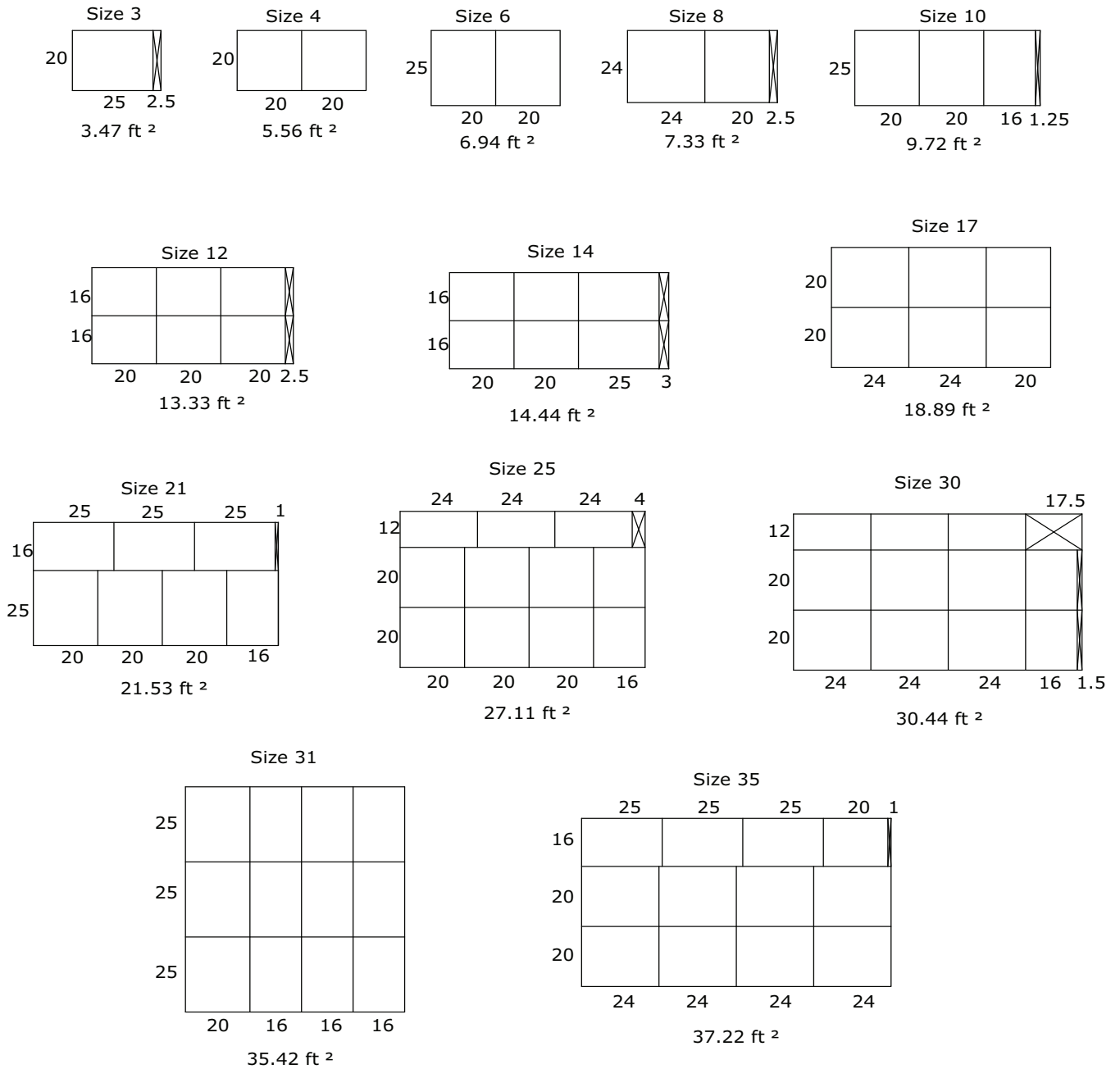
## Dimensions

**Table 43. Side loading 2-inch/4-inch combination flat filter section dimensions (inches)**

Unit Size	Front/Back Opening			Outward Door				Base <sup>2</sup>		S <sup>1</sup>		
	W	H	L	A	B	C	F	D1	D2		E	E1
3	31.50	29.00	19.00	27.50	22.50	22.25	14.88	2.13	4.25	2.50	4.50	1.00
4	44.00	29.00	19.00	40.00	22.50	22.25	14.88	2.13	4.25	2.50	4.50	1.00
6	44.00	35.25	19.00	40.00	28.75	28.50	14.88	2.13	4.25	2.50	4.50	1.00
8	50.50	37.75	19.00	46.50	31.25	31.00	14.88	2.13	4.25	2.50	4.50	1.00
10	61.50	37.75	19.00	57.50	31.25	31.00	14.88	2.13	4.25	2.50	4.50	1.00
12	66.50	41.50	19.00	62.50	35.00	34.75	14.88	2.13	4.25	2.50	4.50	1.00
14	72.00	41.50	19.00	68.00	35.00	34.75	14.88	2.13	4.25	2.50	4.50	1.00
17	72.00	49.00	19.00	68.00	42.50	42.25	14.88	2.13	4.25	2.50	4.50	1.00
21	80.00	52.75	19.00	76.00	46.25	46.00	14.88	2.13	4.25	2.50	4.50	1.00
25	80.00	61.50	19.00	76.00	55.00	54.75	14.88	2.13	4.25	2.50	4.50	1.00
30	93.50	61.50	19.00	89.50	55.00	54.75	14.88	2.13	4.25	2.50	4.50	1.00
35	100.00	67.25	19.00	96.00	60.75	60.50	14.88	2.13	4.25	2.50	4.50	1.00
40	112.50	67.25	19.00	108.50	60.75	60.50	14.88	2.13	4.25	2.50	4.50	1.00
50	125.50	75.75	19.00	121.50	69.25	69.00	14.88	2.13	4.25	2.50	4.50	1.00
57	125.50	85.50	19.00	121.50	79.00	78.75	14.88	2.13	4.25	2.50	4.50	1.00
66	140.50	92.50	19.00	136.50	82.50	82.25	14.88	2.13	7.75	6.00	8.00	1.00
80	140.50	107.50	19.00	136.50	97.50	97.25	14.88	2.13	7.75	6.00	8.00	1.00
100	154.50	119.75	19.00	150.50	109.75	109.50	14.88	2.13	7.75	6.00	8.00	1.00
120	182.00	119.75	19.00	178.00	109.75	109.50	14.88	2.13	7.75	6.00	8.00	1.00

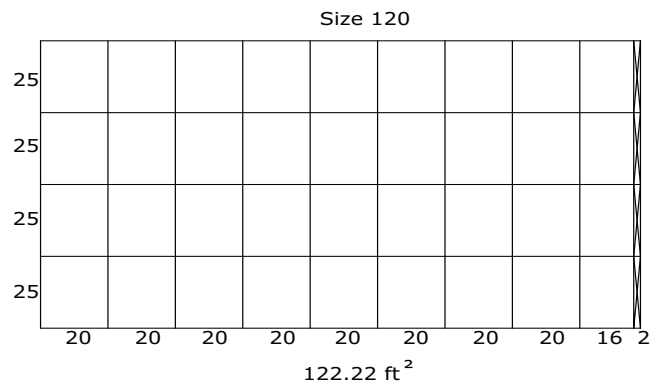
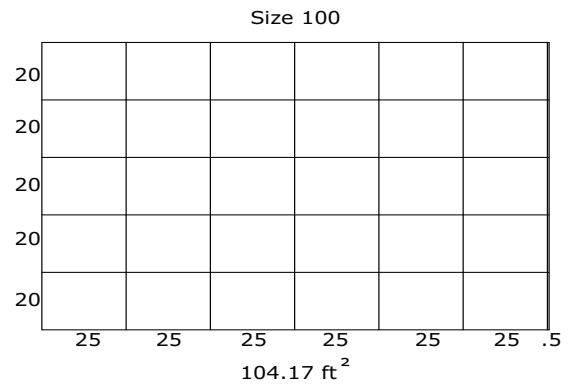
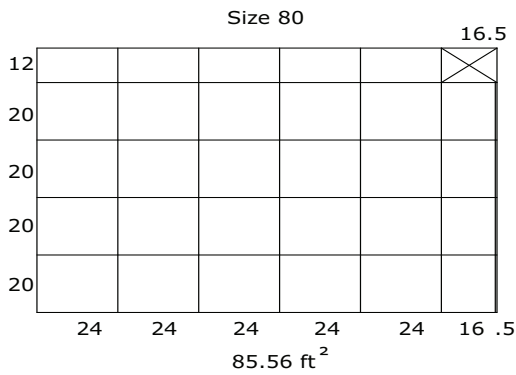
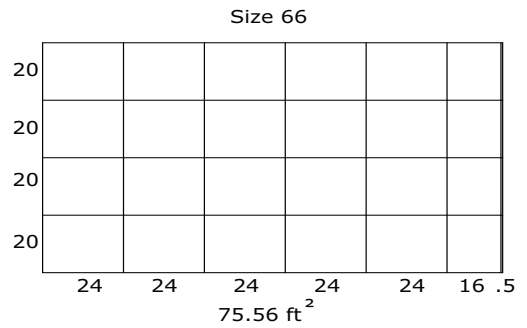
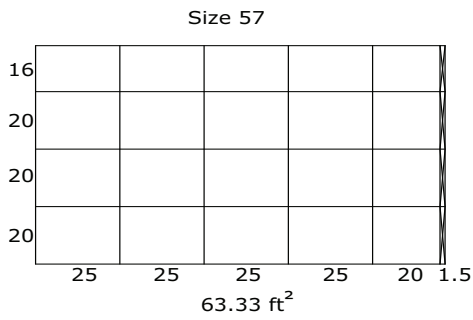
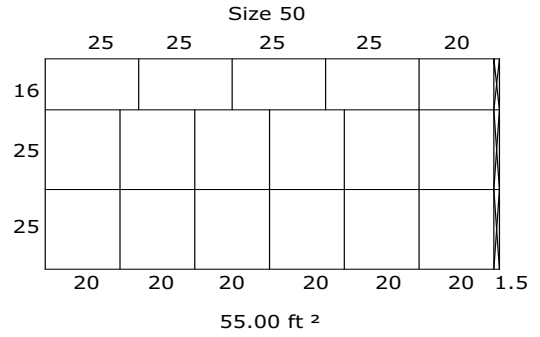
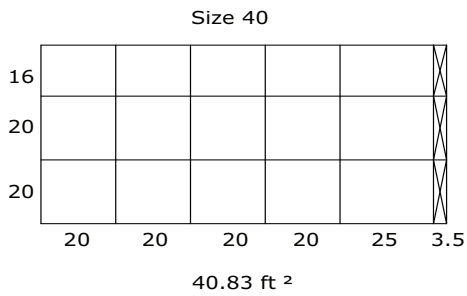
**Notes:**

1. Shipping split flange dimension is for shipping and installation planning purposes only and does not add to installed overall unit length.
2. Base line includes the height for standard 2.5-inch integral base frame on unit sizes 3-57 and 6-inch integral base frame on unit sizes 66-120.

**Figure 30. Side loading 2-inch/4-inch combination flat filter placement for unit sizes 3-35**


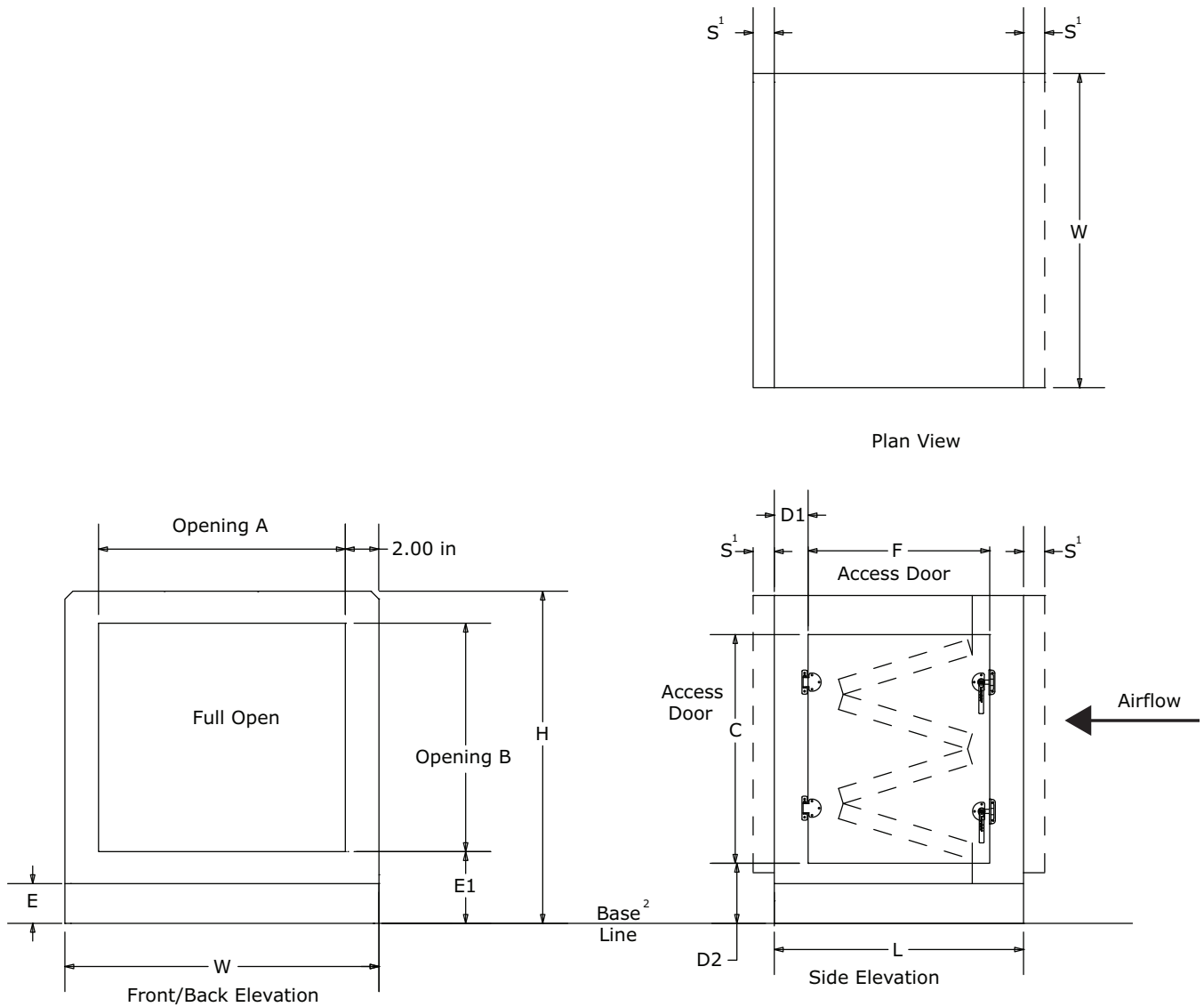
## Dimensions

Figure 31. Side loading 2-inch/4-inch combination flat filter placement for unit sizes 40-120



### Side Loading 2-inch and 4-inch Angled Filter Section

Figure 32. Side loading 2-inch and 4-inch angled filter section





## Dimensions

**Table 44. Side loading 2-inch and 4-inch angled filter section dimensions (inches)**

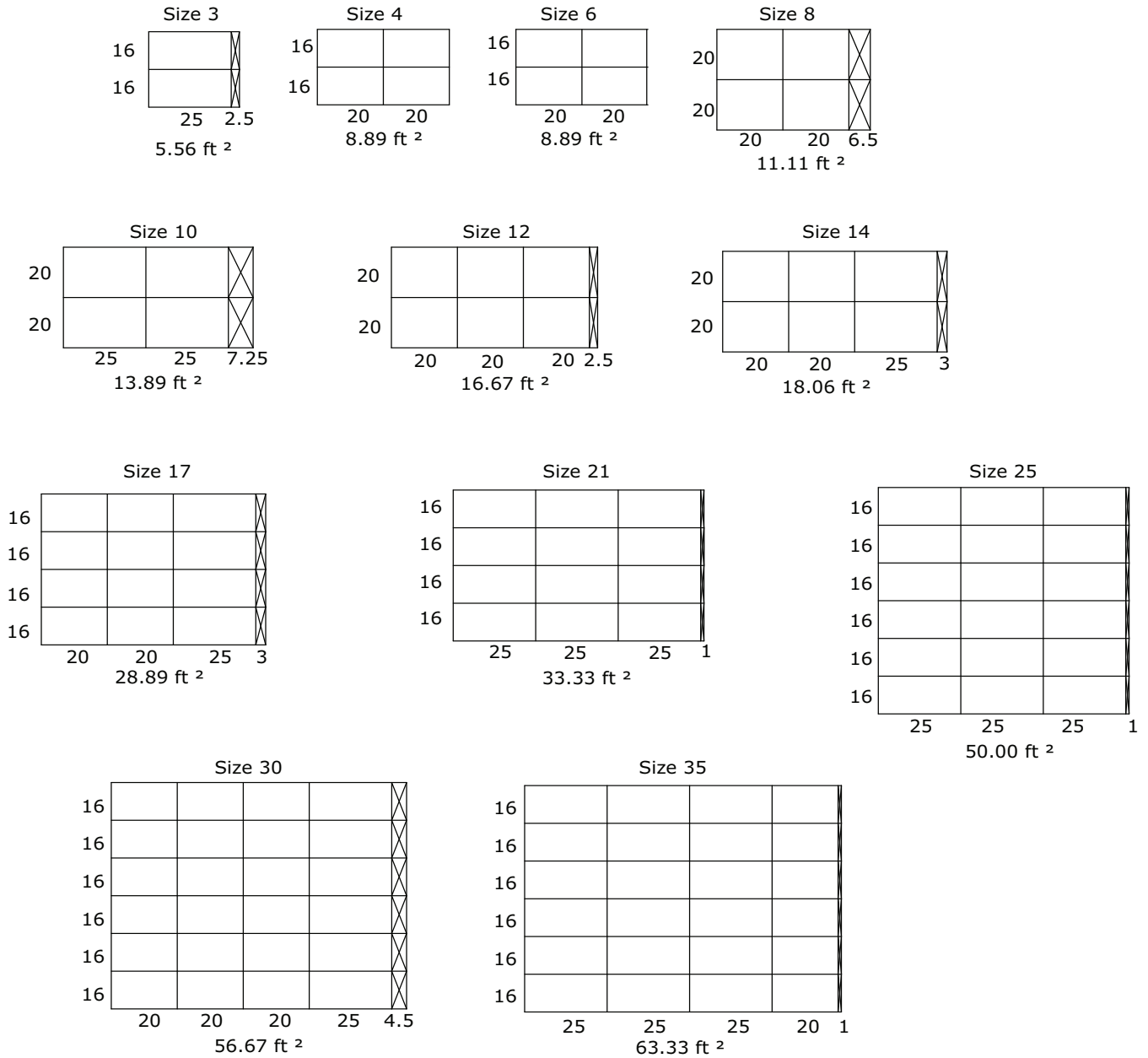
Unit Size	W	H	L	Front/Back Opening		Outward Door				Base <sup>2</sup>		S <sup>1</sup>
				A	B	C	F	D1	D2	E	E1	
3	31.50	29.00	24.50	27.50	22.50	22.25	20.38	2.13	4.25	2.50	4.50	1.00
4	44.00	29.00	24.50	40.00	22.50	22.25	20.38	2.13	4.25	2.50	4.50	1.00
6	44.00	35.25	24.50	40.00	28.75	28.50	20.38	2.13	4.25	2.50	4.50	1.00
8	50.50	37.75	26.50	46.50	31.25	31.00	22.38	2.13	4.25	2.50	4.50	1.00
10	61.50	37.75	26.50	57.50	31.25	31.00	22.38	2.13	4.25	2.50	4.50	1.00
12	66.50	41.50	26.50	62.50	35.00	34.75	22.38	2.13	4.25	2.50	4.50	1.00
14	72.00	41.50	26.50	68.00	35.00	34.75	22.38	2.13	4.25	2.50	4.50	1.00
17	72.00	49.00	24.50	68.00	42.50	42.25	20.38	2.13	4.25	2.50	4.50	1.00
21	80.00	52.75	24.50	76.00	46.25	46.00	20.375	2.13	4.25	2.50	4.50	1.00
25	80.00	61.50	24.50	76.00	55.00	54.75	20.375	2.13	4.25	2.50	4.50	1.00
30	93.50	61.50	24.50	89.50	55.00	54.75	20.375	2.13	4.25	2.50	4.50	1.00
35	100.00	67.25	24.50	96.00	60.75	60.50	20.38	2.13	4.25	2.50	4.50	1.00
40	112.50	67.25	24.50	108.50	60.75	60.50	20.38	2.13	4.25	2.50	4.50	1.00
50	125.50	75.75	27.50	121.5	69.25	69.00	23.38	2.13	4.25	2.50	4.50	1.00
57	125.50	85.50	27.50	121.50	79.00	78.75	23.38	2.13	4.25	2.50	4.50	1.00
66	140.50	92.50	27.50	136.50	82.50	82.25	23.38	2.13	7.75	6.00	8.00	1.00
80	140.50	107.50	27.50	136.50	97.50	97.25	23.38	2.13	7.75	6.00	8.00	1.00
100	154.50	119.75	27.50	150.50	109.75	109.5	23.38	2.13	7.75	6.00	8.00	1.00
120	182.00	119.75	27.50	178.00	109.75	109.5	23.38	2.13	7.75	6.00	8.00	1.00

**Notes:**

1. Shipping split flange dimension is for shipping and installation planning purposes only and does not add to installed overall unit length.
2. Base line includes the height for standard 2.5-inch integral base frame on unit sizes 3-57 and 6-inch integral base frame on unit sizes 66-120.

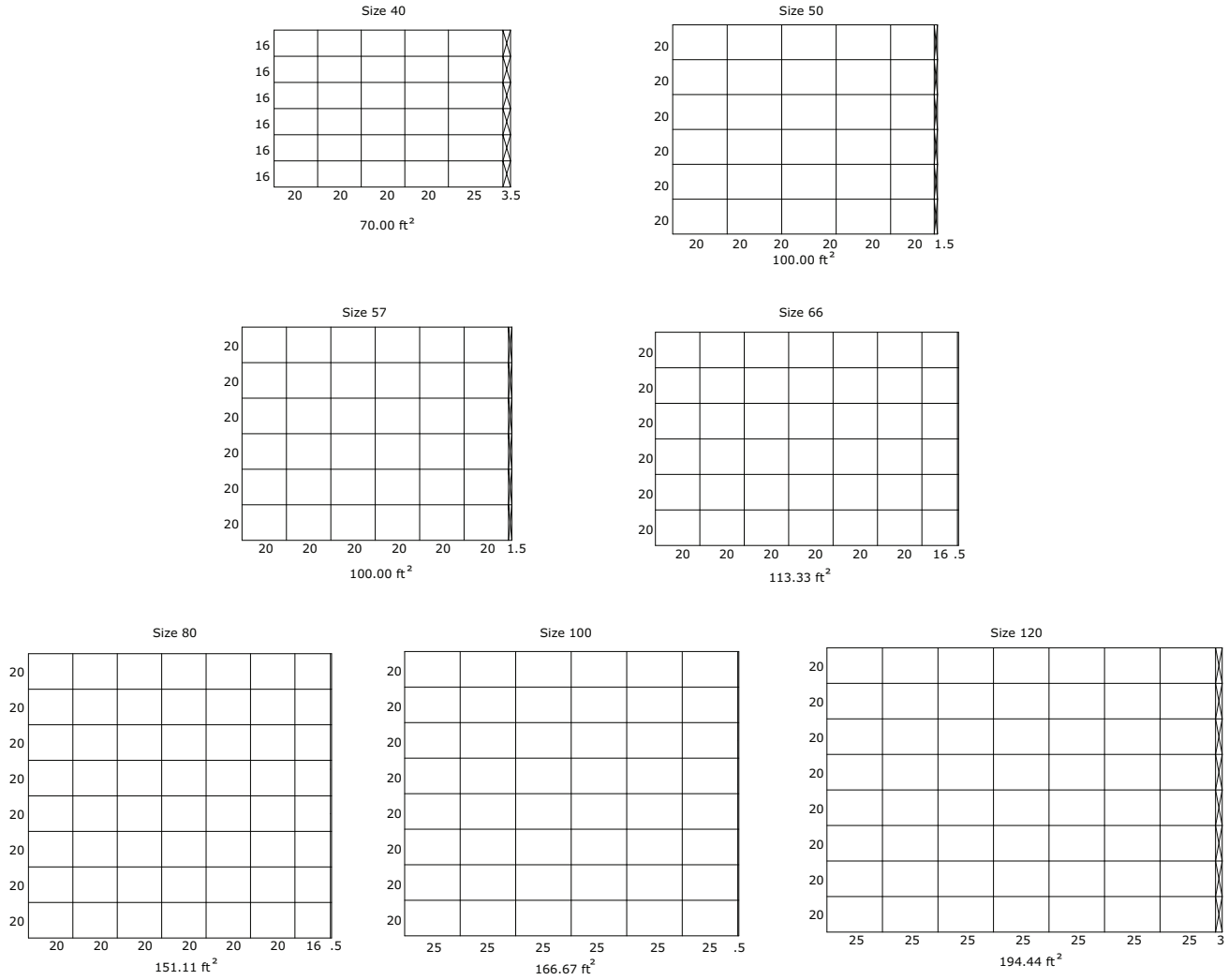


Figure 33. Side loading 2-inch and 4-inch angled filter placement for unit sizes 3-35



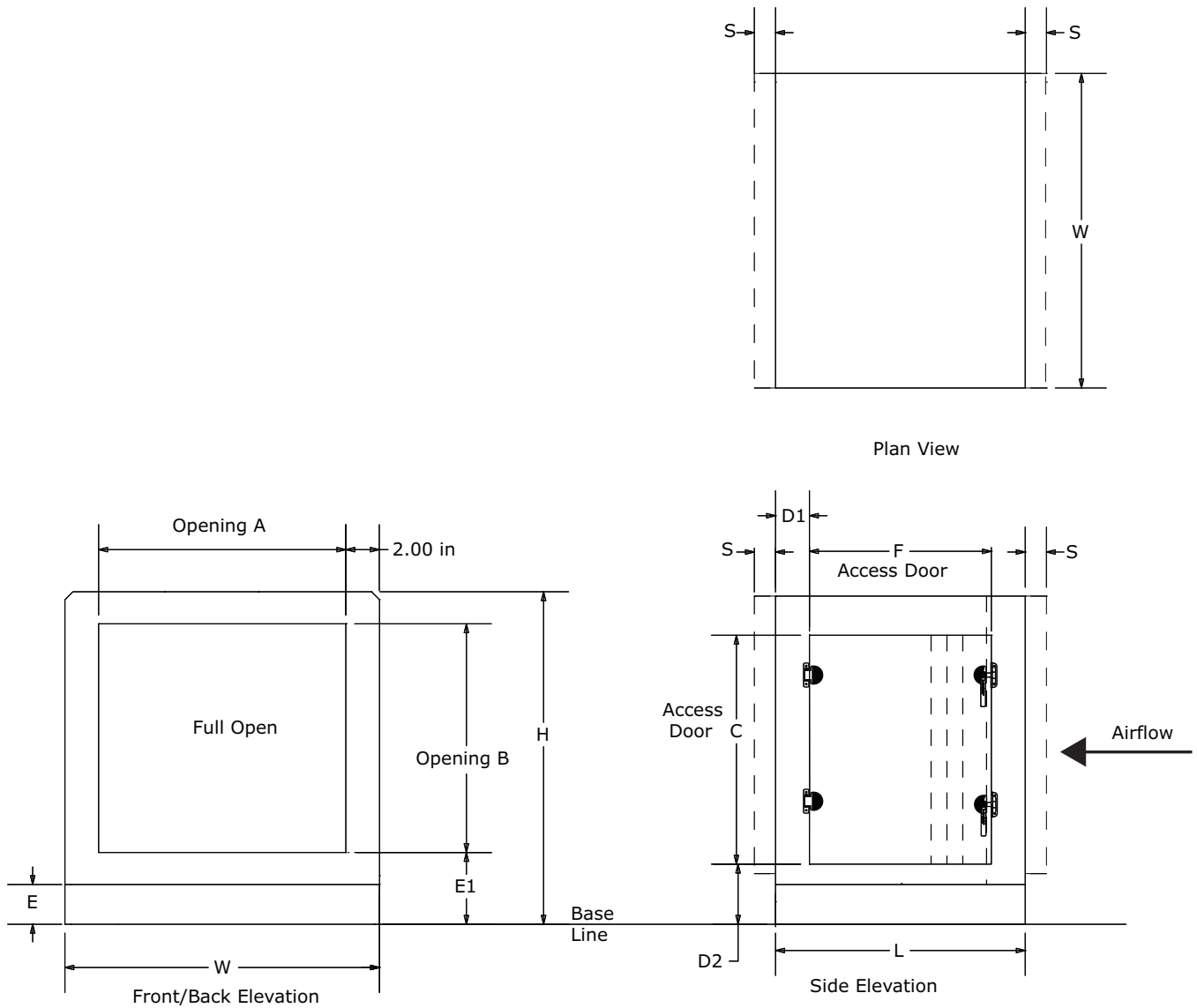
## Dimensions

**Figure 34. Side loading 2-inch and 4-inch angled filter placement for unit sizes 40-120**



### Side Loading Long Bag Filter Section

Figure 35. Side loading long bag filter section





## Dimensions

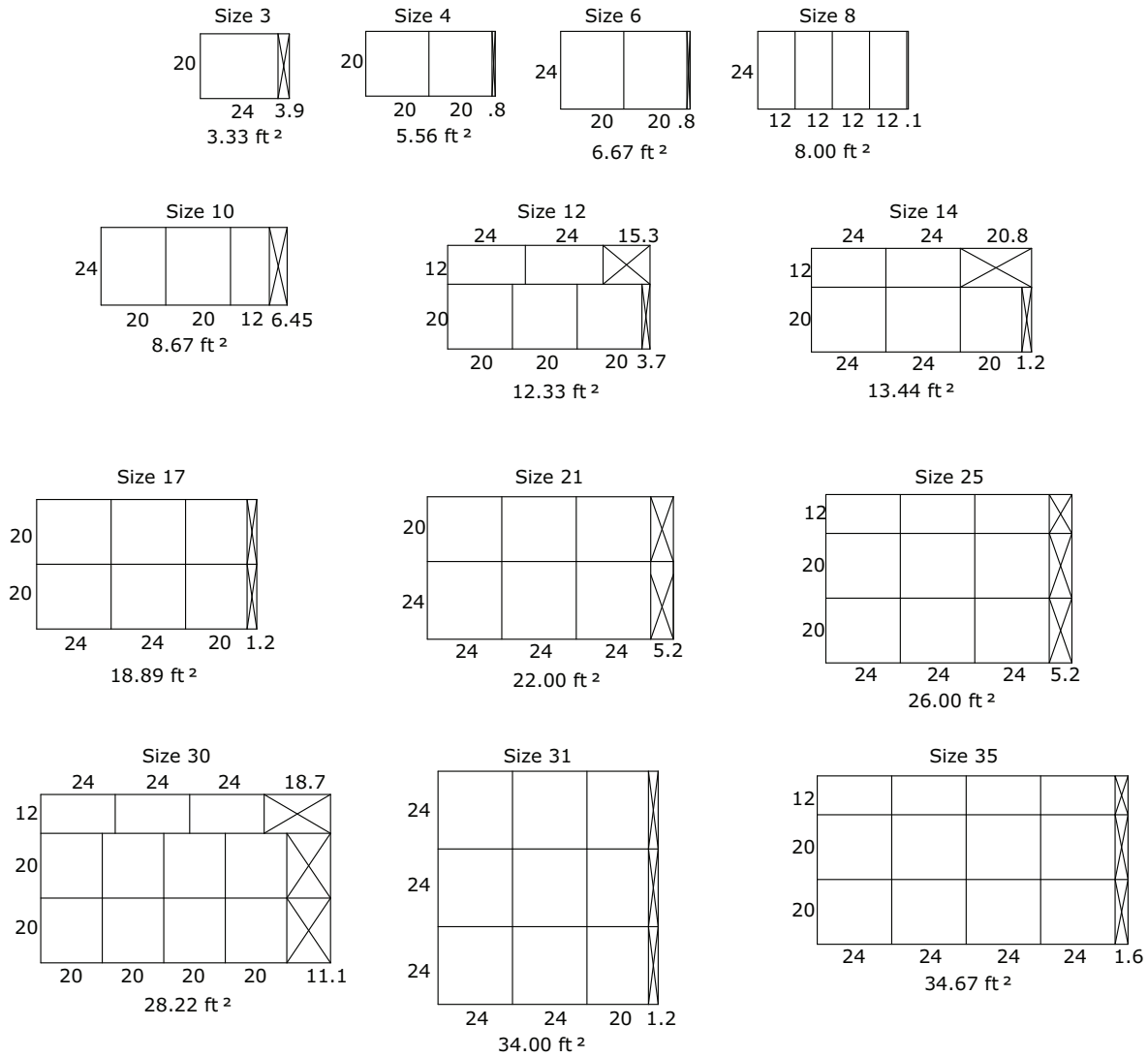
**Table 45. Side loading long bag filter section dimensions (inches)**

Unit Size	W	H	L	Front/Back Opening		Outward Door				Base <sup>2</sup>		S <sup>1</sup>
				A	B	C	F	D1	D2	E	E1	
3	31.50	29.00	36.00	27.50	22.50	22.25	29.00	4.87	4.25	2.50	4.50	1.00
4	44.00	29.00	41.00	40.00	22.50	22.25	29.00	9.88	4.25	2.50	4.50	1.00
6	44.00	35.25	41.00	40.00	28.75	28.50	29.00	9.88	4.25	2.50	4.50	1.00
8	50.50	37.75	44.00	46.50	31.25	31.00	31.00	10.88	4.25	2.50	4.50	1.00
10	61.50	37.75	42.50	57.50	31.25	31.00	31.00	9.38	4.25	2.50	4.50	1.00
12	66.50	41.50	42.50	62.50	35.00	34.75	31.00	9.38	4.25	2.50	4.50	1.00
14	72.00	41.50	42.50	68.00	35.00	34.75	31.00	9.38	4.25	2.50	4.50	1.00
17	72.00	49.00	44.00	68.00	42.50	42.25	31.00	10.88	4.25	2.50	4.50	1.00
21	80.00	52.75	50.30	76.00	46.25	46.00	29.00	19.10	4.25	2.50	4.50	1.00
25	80.00	61.50	46.00	76.00	55.00	54.75	31.00	2.13	4.25	2.50	4.50	1.00
30	93.50	61.50	46.00	89.50	55.00	54.75	31.00	12.90	4.25	2.50	4.50	1.00
35	100.00	67.25	37.30	96.00	60.75	60.50	20.38	2.13	4.25	2.50	4.50	1.00
40	112.50	67.25	37.30	108.50	60.75	60.50	20.38	2.13	4.25	2.50	4.50	1.00
50	125.50	75.75	37.30	121.50	69.25	69.00	20.38	2.13	4.25	2.50	4.50	1.00
57	125.50	85.50	37.30	121.50	79.00	78.75	20.38	2.13	4.25	2.50	4.50	1.00
66	140.50	92.50	37.30	136.50	82.50	82.25	20.38	2.13	7.75	6.00	8.00	1.00
80	140.50	107.50	37.25	136.50	97.50	97.25	20.38	2.13	7.75	6.00	8.00	1.00
100	154.50	119.75	37.25	150.50	109.75	109.50	20.38	2.13	7.75	6.00	8.00	1.00
120	182.00	119.75	37.25	178.00	109.75	109.50	20.38	2.13	7.75	6.00	8.00	1.00

**Notes:**

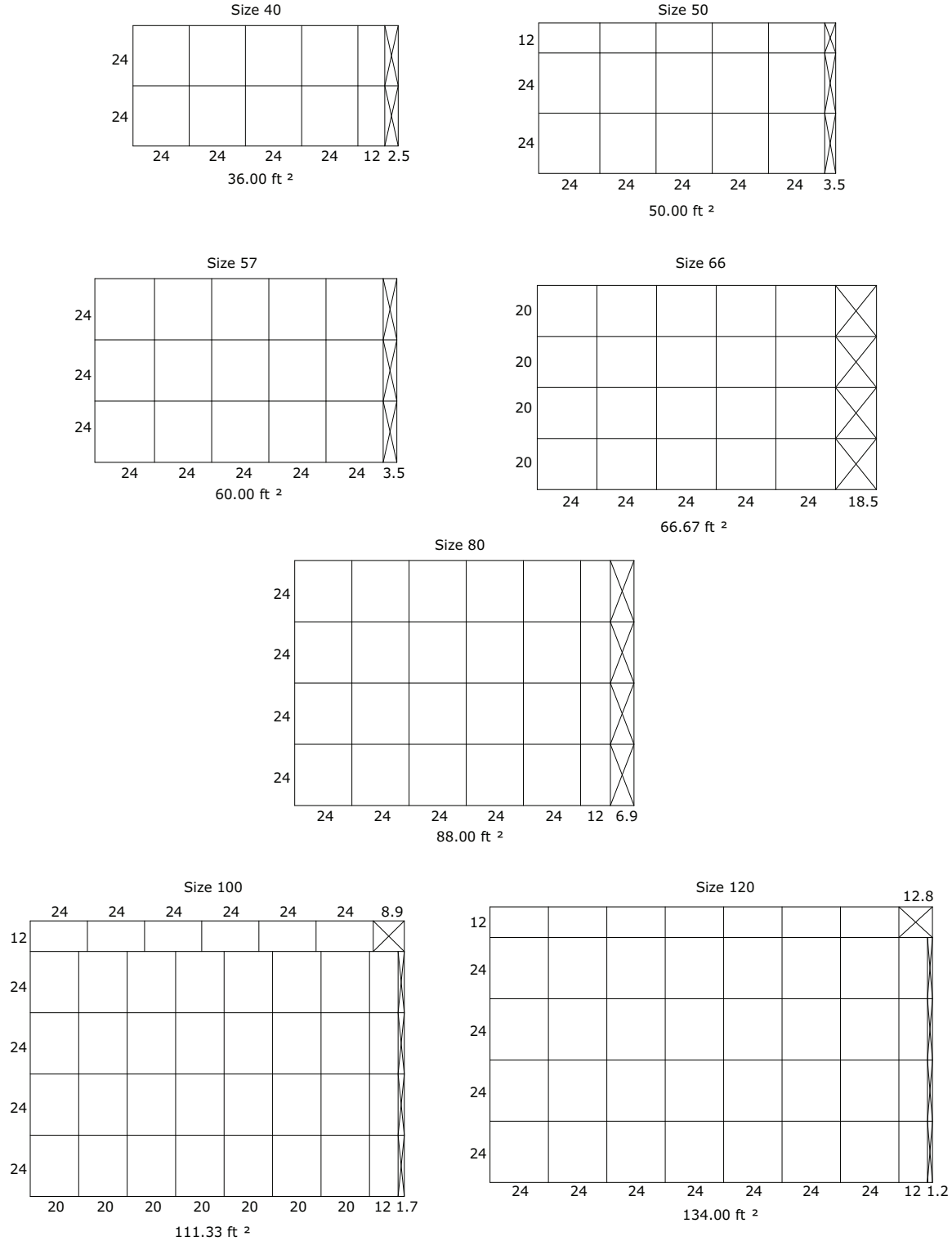
1. Shipping split flange dimension is for shipping and installation planning purposes only and does not add to installed overall unit length.
2. Base line includes the height for standard 2.5-inch integral base frame on unit sizes 3-57 and 6-inch integral base frame on unit sizes 66-120.

Figure 36. Side loading long bag filter placement for unit sizes 3-35



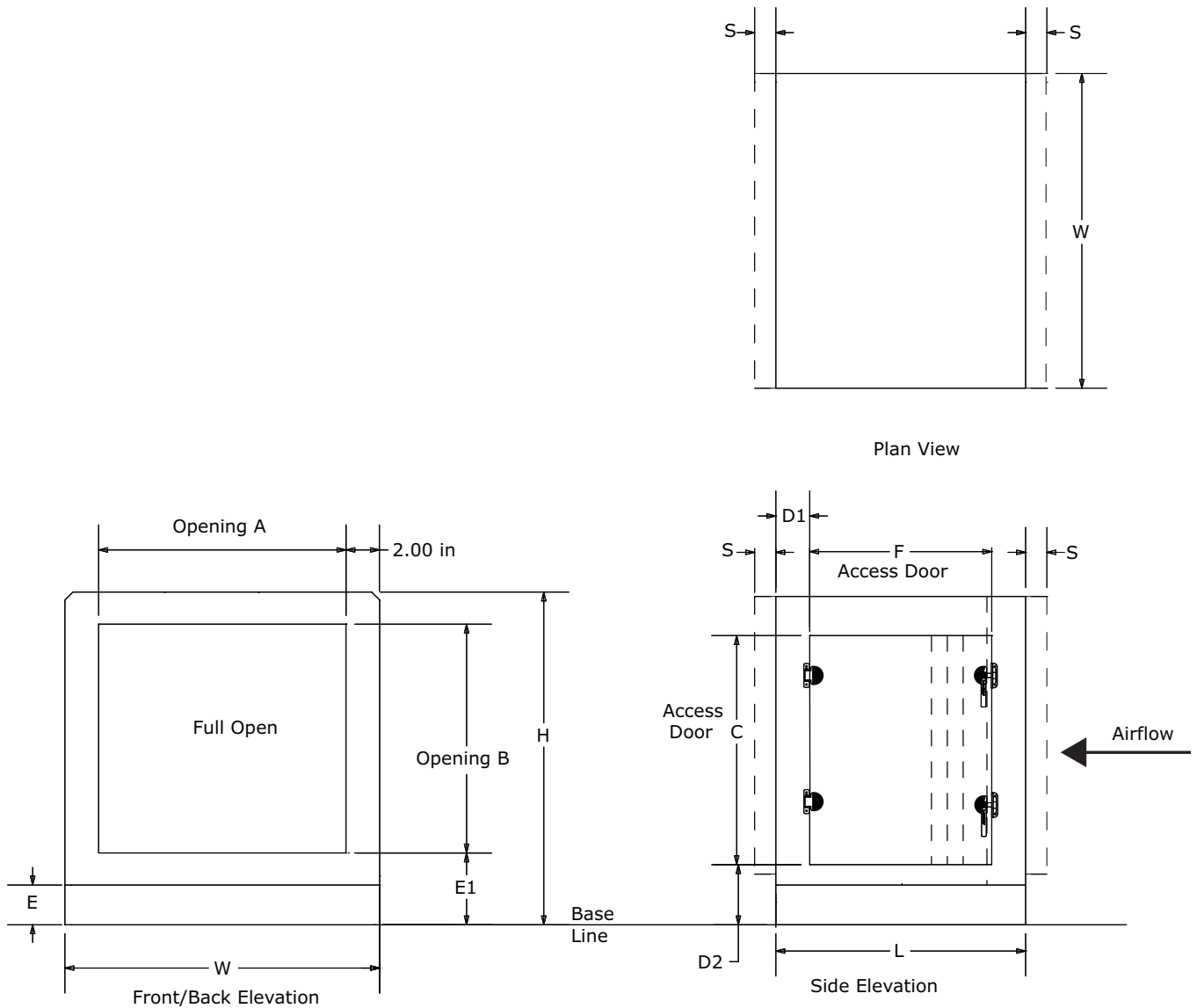
## Dimensions

Figure 37. Side loading long bag filter placement for unit sizes 40-120



### Side Loading Short Bag Filter Section

Figure 38. Side loading short bag filter section





## Dimensions

**Table 46. Side loading short bag filter dimensions (inches)**

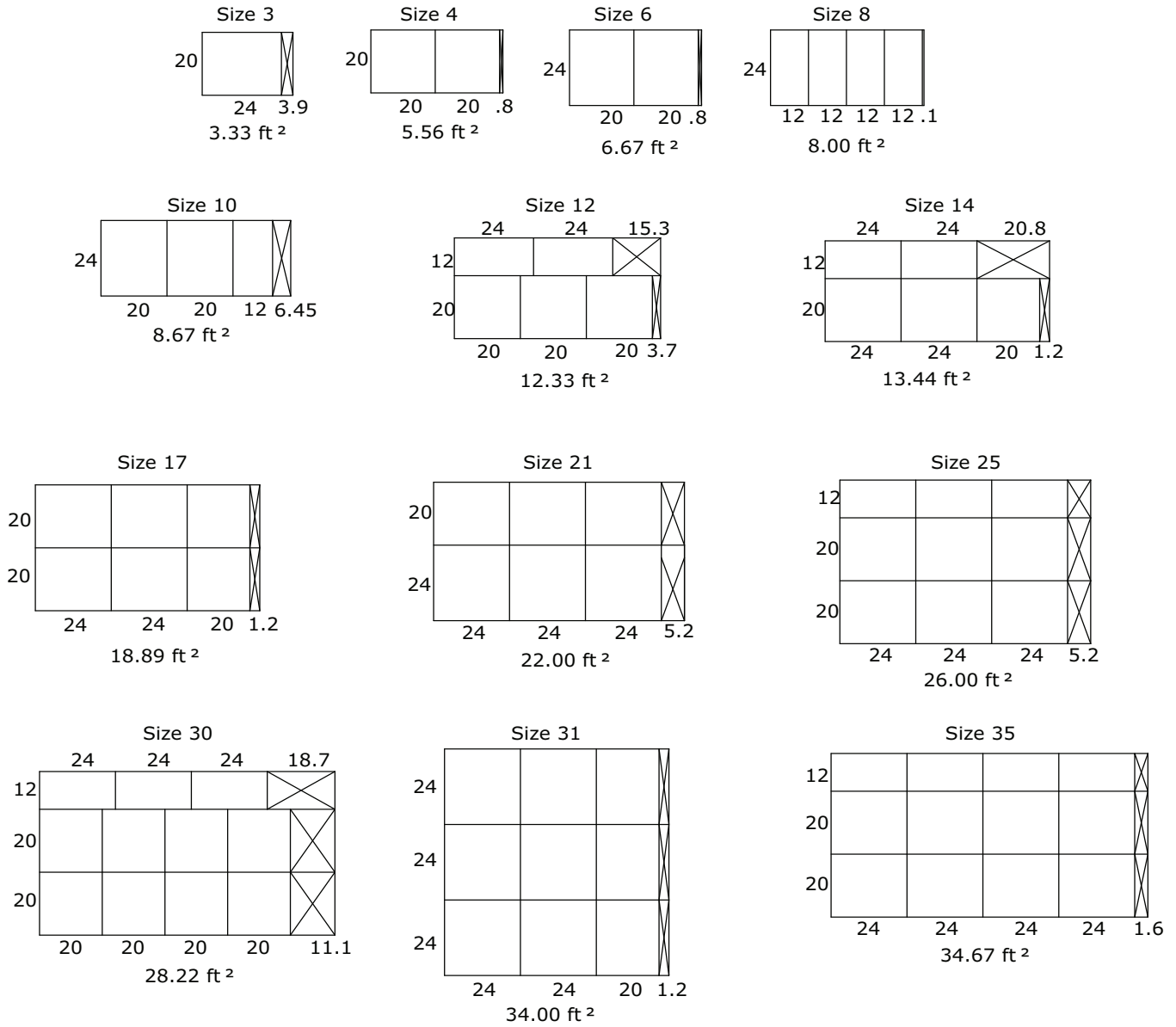
Unit Size	W	H	L	Front/Back Opening		Outward Door				Base <sup>2</sup>		S <sup>1</sup>
				A	B	C	F	D1	D2	E	E1	
3	31.50	29.00	24.50	27.50	22.50	22.25	20.38	2.13	4.25	2.50	4.50	1.00
4	44.00	29.00	24.50	40.00	22.50	22.25	20.38	2.13	4.25	2.50	4.50	1.00
6	44.00	35.25	24.50	40.00	28.75	28.50	20.38	2.13	4.25	2.50	4.50	1.00
8	50.50	37.75	26.50	46.50	31.25	31.00	22.38	2.13	4.25	2.50	4.50	1.00
10	61.50	37.75	26.50	57.50	31.25	31.00	22.38	2.13	4.25	2.50	4.50	1.00
12	66.50	41.50	26.50	62.50	35.00	34.75	22.38	2.13	4.25	2.50	4.50	1.00
14	72.00	41.50	26.50	68.00	35.00	34.75	22.38	2.13	4.25	2.50	4.50	1.00
17	72.00	49.00	24.50	68.00	42.50	42.25	20.38	2.13	4.25	2.50	4.50	1.00
21	80.00	52.75	24.50	76.00	46.25	46.00	20.38	2.13	4.25	2.50	4.50	1.00
25	80.00	61.50	24.50	76.00	55.00	54.75	20.38	2.13	4.25	2.50	4.50	1.00
30	93.50	61.50	24.50	89.50	55.00	54.75	20.38	2.13	4.25	2.50	4.50	1.00
35	100.00	67.25	24.50	96.00	60.75	60.50	20.38	2.13	4.25	2.50	4.50	1.00
40	112.50	67.25	24.50	108.50	60.75	60.50	20.38	2.13	4.25	2.50	4.50	1.00
50	125.50	75.75	24.50	121.50	69.25	69.00	20.38	2.13	4.25	2.50	4.50	1.00
57	125.50	85.50	24.50	121.50	79.00	78.75	20.38	2.13	4.25	2.50	4.50	1.00
66	140.50	92.50	24.50	136.50	82.50	82.25	20.38	2.13	7.75	6.00	8.00	1.00
80	140.50	107.50	24.50	136.50	97.50	97.25	20.38	2.13	7.75	6.00	8.00	1.00
100	154.50	119.75	24.50	150.50	109.75	109.50	20.38	2.13	7.75	6.00	8.00	1.00
120	182.00	119.75	24.50	178.00	109.75	109.50	20.38	2.13	7.75	6.00	8.00	1.00

**Notes:**

1. Shipping split flange dimension is for shipping and installation planning purposes only and does not add to installed overall unit length.
2. Base line includes the height for standard 2.5-inch integral base frame on unit sizes 3-57 and 6-inch integral base frame on unit sizes 66-120.

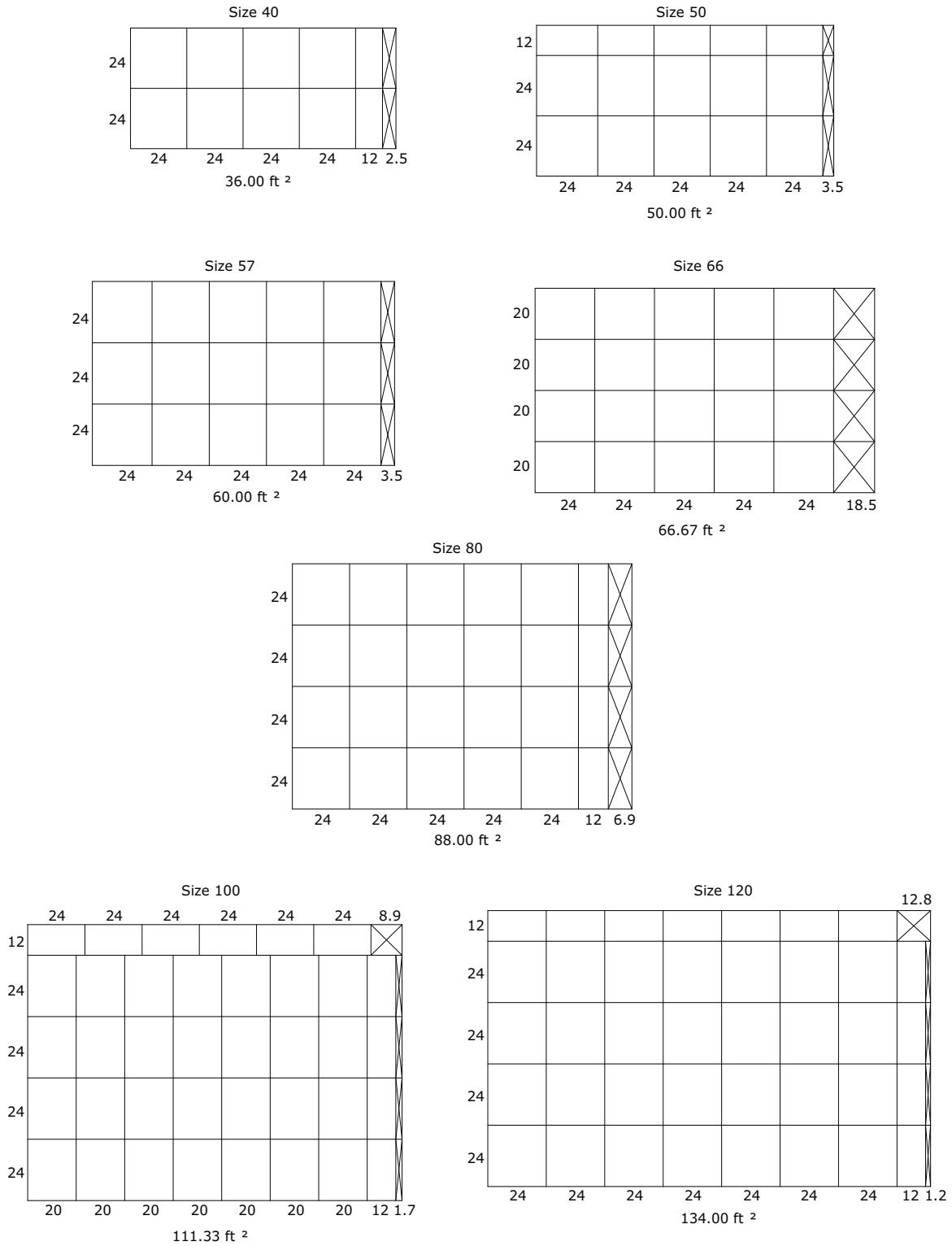


Figure 39. Side loading short bag filter placement for unit sizes 3-35



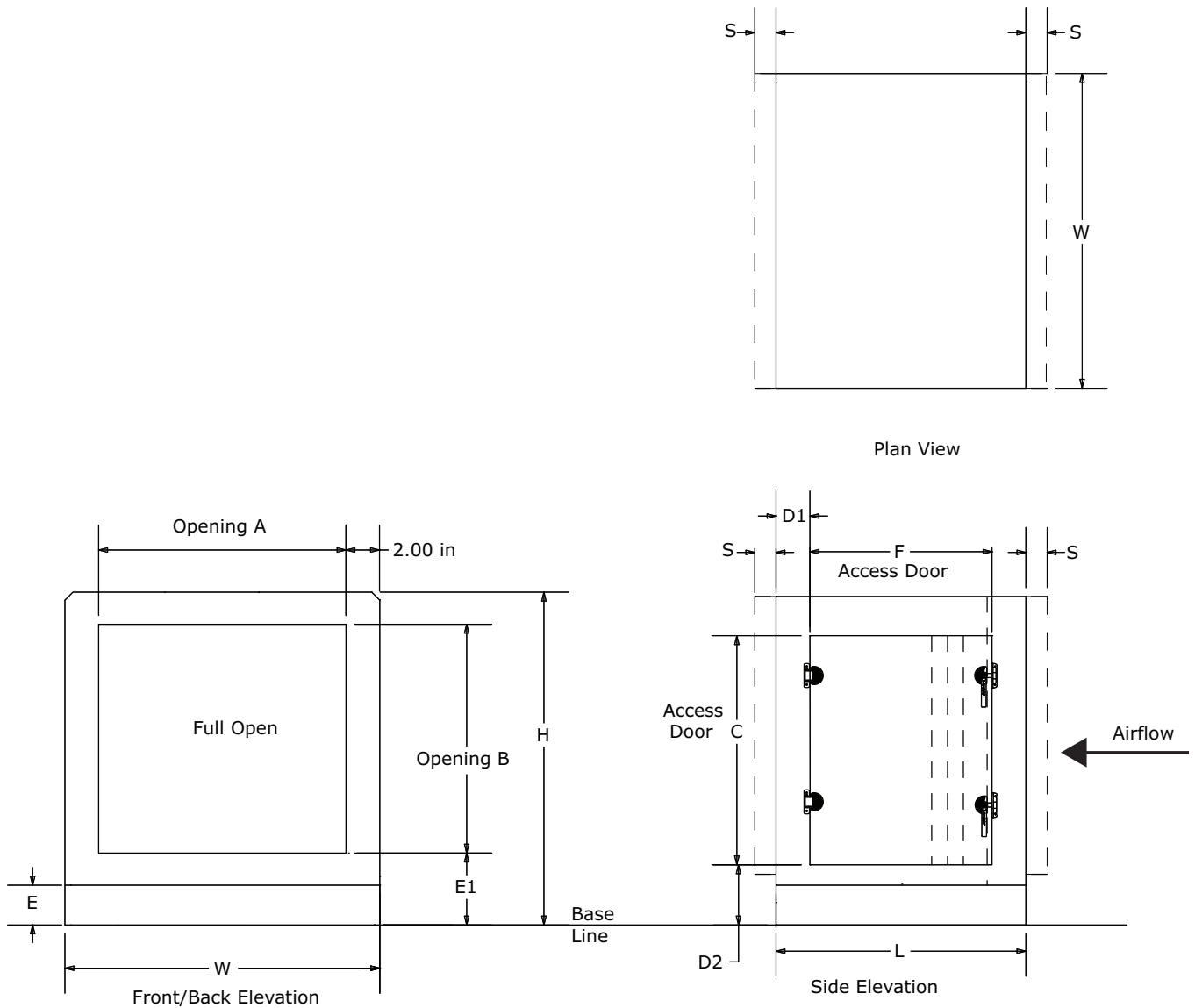
# Dimensions

**Figure 40. Side loading short bag filter placement for unit sizes 40-120**



### Side Loading Cartridge Filter Section

Figure 41. Side loading cartridge filter section





## Dimensions

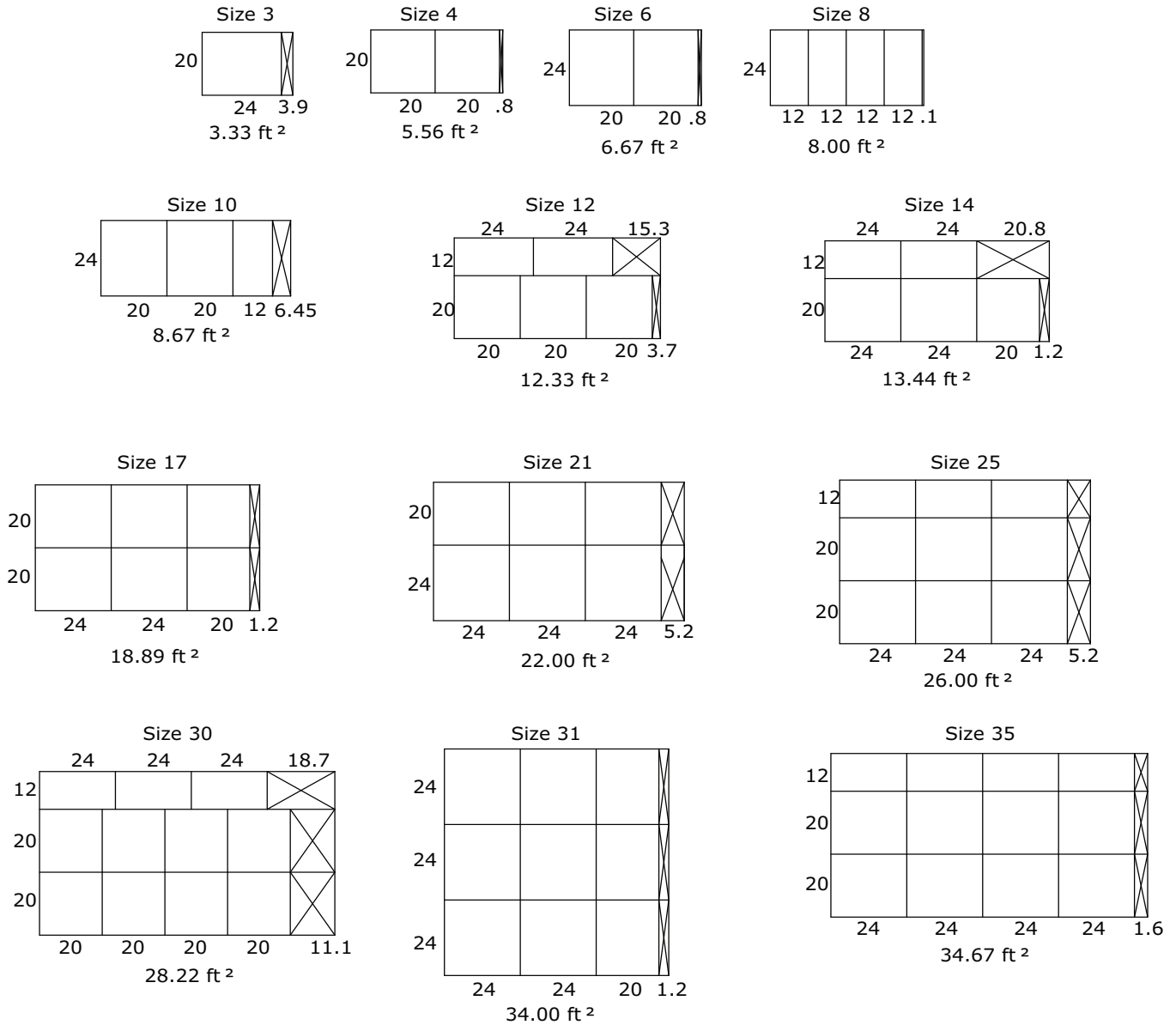
**Table 47. Side loading cartridge filter section dimensions (inches)**

Unit Size	W	H	L	Front/Back Opening		Outward Door				Base <sup>2</sup>		S <sup>1</sup>
				A	B	C	F	D1	D2	E	E1	
3	31.50	29.00	24.50	27.50	22.50	22.25	20.38	2.13	4.25	2.50	4.50	1.00
4	44.00	29.00	24.50	40.00	22.50	22.25	20.38	2.13	4.25	2.50	4.50	1.00
6	44.00	35.25	24.50	40.00	28.75	28.50	20.38	2.13	4.25	2.50	4.50	1.00
8	50.50	37.75	26.50	46.50	31.25	31.00	22.38	2.13	4.25	2.50	4.50	1.00
10	61.50	37.75	26.50	57.50	31.25	31.00	22.38	2.13	4.25	2.50	4.50	1.00
12	66.50	41.50	26.50	62.50	35.00	34.75	22.38	2.13	4.25	2.50	4.50	1.00
14	72.00	41.50	26.50	68.00	35.00	34.75	22.38	2.13	4.25	2.50	4.50	1.00
17	72.00	49.00	24.50	68.00	42.50	42.25	20.38	2.13	4.25	2.50	4.50	1.00
21	80.00	52.75	24.50	76.00	46.25	46.00	20.38	2.13	4.25	2.50	4.50	1.00
25	80.00	61.50	24.50	76.00	55.00	54.75	20.38	2.13	4.25	2.50	4.50	1.00
30	93.50	61.50	24.50	89.50	55.00	54.75	20.38	2.13	4.25	2.50	4.50	1.00
35	100.00	67.25	24.50	96.00	60.75	60.50	20.38	2.13	4.25	2.50	4.50	1.00
40	112.50	67.25	24.50	108.50	60.75	60.50	20.38	2.13	4.25	2.50	4.50	1.00
50	125.50	75.75	24.50	121.50	69.25	69.00	20.38	2.13	4.25	2.50	4.50	1.00
57	125.50	85.50	24.50	121.50	79.00	78.75	20.38	2.13	4.25	2.50	4.50	1.00
66	140.50	92.50	24.50	136.50	82.50	82.25	20.38	2.13	7.75	6.00	8.00	1.00
80	140.50	107.50	24.50	136.50	97.50	97.25	20.38	2.13	7.75	6.00	8.00	1.00
100	154.50	119.75	24.50	150.50	109.75	109.50	20.38	2.13	7.75	6.00	8.00	1.00
120	182.00	119.75	24.50	178.00	109.75	109.50	20.38	2.13	7.75	6.00	8.00	1.00

**Notes:**

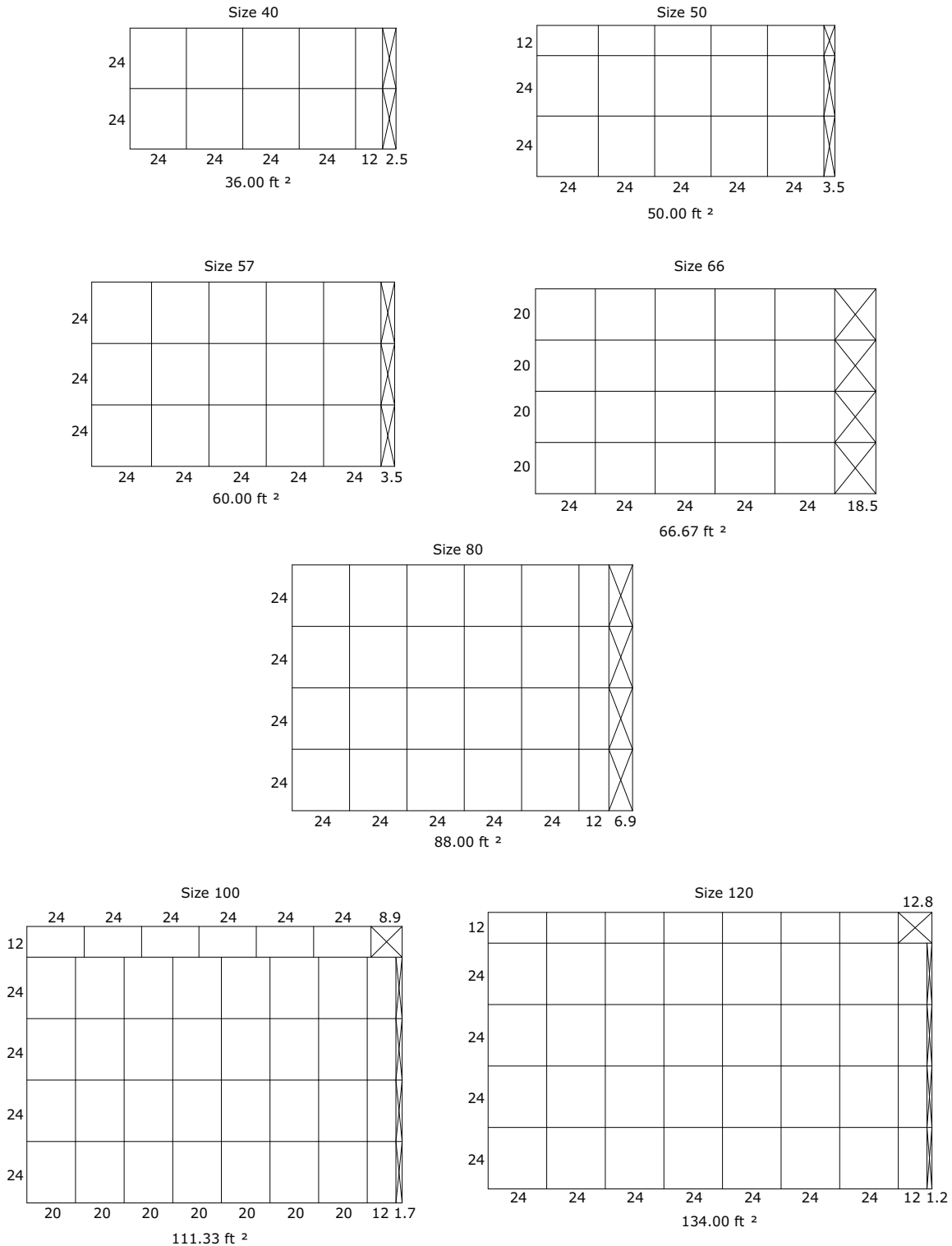
1. Shipping split flange dimension is for shipping and installation planning purposes only and does not add to installed overall unit length.
2. Base line includes the height for standard 2.5-inch integral base frame on unit sizes 3-57 and 6-inch integral base frame on unit sizes 66-120.

Figure 42. Side loading cartridge filter placement for unit sizes 3-35



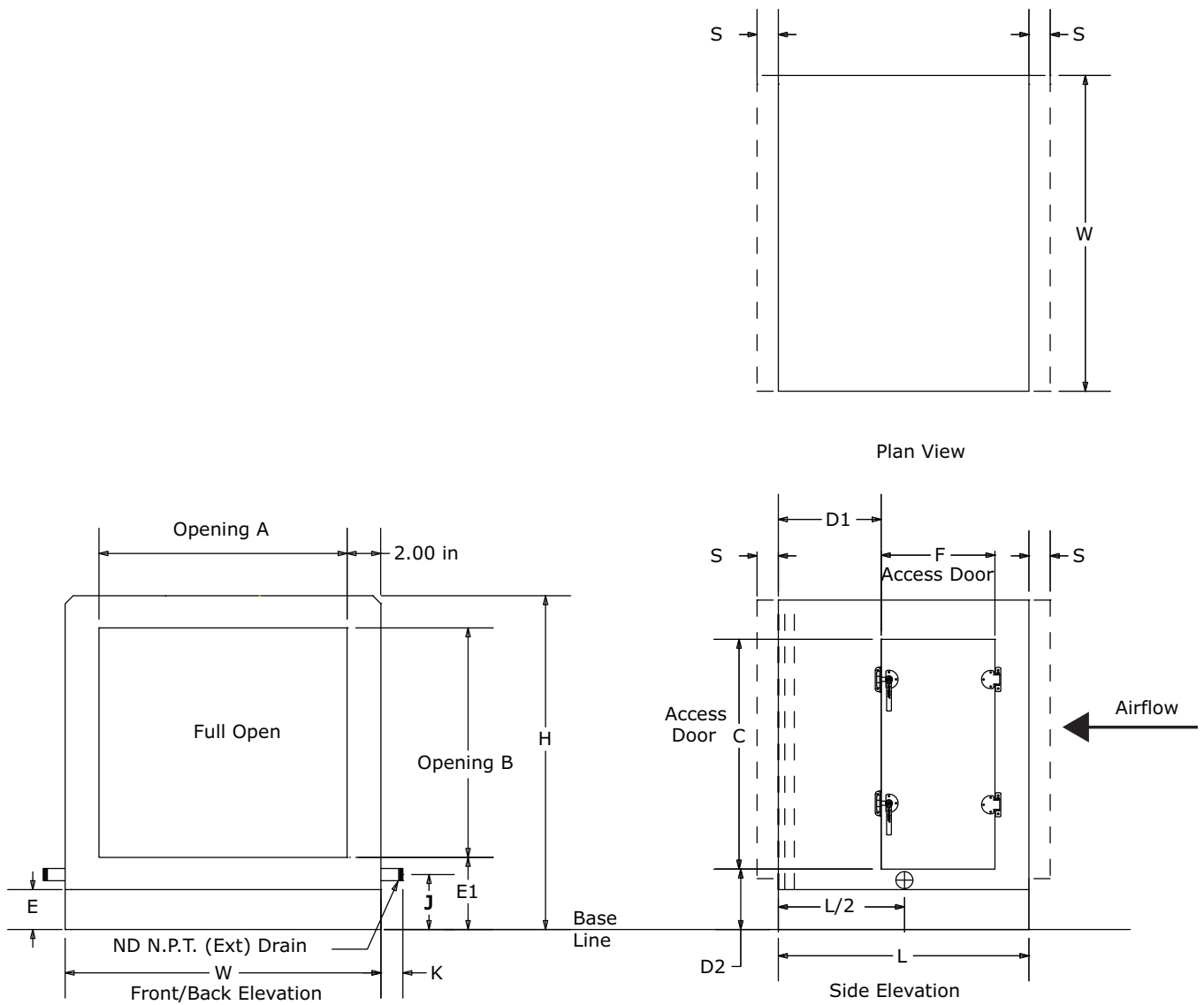
## Dimensions

**Figure 43. Side loading cartridge filter placement for unit sizes 40-120**



### Front Loading 2-inch and 4-inch Flat Filter Section

Figure 44. Front loading 2-inch and 4-inch filter section





## Dimensions

**Table 48. Front loading 2-inch and 4-inch filter section dimensions (inches)**

Unit Size	Front/Back Opening			Outward Door				Inward Door				Base <sup>2</sup>		S <sup>1</sup>		
	W	H	L	A	B	C	F	D1	D2	C	F	D1	D2		E	E1
3	31.50	29.00	38.00	27.50	22.50	22.25	20.38	14.19	4.25	19.38	17.63	18.94	5.38	2.50	4.50	1.00
4	44.00	29.00	38.00	40.00	22.50	22.25	20.38	14.19	4.25	19.38	17.63	18.94	5.38	2.50	4.50	1.00
6	44.00	35.25	38.00	40.00	28.75	28.50	20.38	14.19	4.25	25.63	17.63	18.94	5.38	2.50	4.50	1.00
8	50.50	37.75	38.00	46.50	31.25	31.00	20.38	14.19	4.25	28.13	17.63	18.94	5.38	2.50	4.50	1.00
10	61.50	37.75	38.00	57.50	31.25	31.00	20.38	14.19	4.25	28.13	17.63	18.94	5.38	2.50	4.50	1.00
12	66.50	41.50	38.00	62.50	35.00	34.75	20.38	14.19	4.25	31.88	17.63	18.94	5.38	2.50	4.50	1.00
14	72.00	41.50	38.00	68.00	35.00	34.75	20.38	14.19	4.25	31.88	17.63	18.94	5.38	2.50	4.50	1.00
17	72.00	49.00	38.00	68.00	42.50	42.25	20.38	14.19	4.25	39.38	17.63	18.94	5.38	2.50	4.50	1.00
21	80.00	52.75	38.00	76.00	46.25	46.00	20.38	14.19	4.25	43.13	17.63	18.94	5.38	2.50	4.50	1.00
25	80.00	61.50	38.00	76.00	55.00	54.75	20.38	14.19	4.25	51.88	17.63	18.94	5.38	2.50	4.50	1.00
30	93.50	61.50	38.00	89.50	55.00	54.75	20.38	14.19	4.25	51.88	17.63	18.94	5.38	2.50	4.50	1.00
35	100.00	67.25	40.00	96.00	60.75	60.50	20.38	16.19	4.25	57.63	17.63	18.94	5.38	2.50	4.50	1.00
40	112.50	67.25	40.00	108.50	60.75	60.50	20.38	16.19	4.25	57.63	17.63	18.94	5.38	2.50	4.50	1.00
50	125.50	75.75	40.00	121.50	69.25	60.50	20.38	16.19	4.25	66.13	17.63	18.94	5.38	2.50	4.50	1.00
57	125.50	85.50	40.00	121.50	79.00	60.50	20.38	16.19	4.25	57.63	17.63	18.94	5.38	2.50	4.50	1.00
66	140.50	92.50	40.00	136.50	82.50	60.50	20.38	16.19	7.75	57.63	17.63	18.94	8.88	6.00	8.00	1.00
80	140.50	107.50	40.00	136.50	97.50	60.50	20.38	16.19	7.75	57.63	17.63	18.94	8.88	6.00	8.00	1.00
100	154.50	119.75	40.00	150.50	109.75	60.50	20.38	16.19	7.75	57.63	17.63	18.94	8.88	6.00	8.00	1.00
120	182.00	119.75	40.00	178.00	109.75	60.50	20.38	16.19	7.75	57.63	17.63	18.94	8.88	6.00	8.00	1.00

**Notes:**

1. Shipping split flange dimension is for shipping and installation planning purposes only and does not add to installed overall unit length.
2. Base line includes the height for standard 2.5-inch integral base frame on unit sizes 3-57 and 6-inch integral base frame on unit sizes 66-120.



**Table 49. Front loading 2-inch and 4-inch filter section without door dimensions (inches)**

Unit size	W	H	L	Front/Back Opening		Base <sup>2</sup>		
				A	B	E	E1	S1
3	31.50	29.00	10.00	27.50	22.50	2.50	4.50	1.00
4	44.00	29.00	10.00	40.00	22.50	2.50	4.50	1.00
6	44.00	35.25	10.00	40.00	28.75	2.50	4.50	1.00
8	50.50	37.75	10.00	46.50	31.25	2.50	4.50	1.00
10	61.50	37.75	10.00	57.50	31.25	2.50	4.50	1.00
12	66.50	41.50	10.00	62.50	35.00	2.50	4.50	1.00
14	72.00	41.50	10.00	68.00	35.00	2.50	4.50	1.00
17	72.00	49.00	10.00	68.00	42.50	2.50	4.50	1.00
21	80.00	52.75	10.00	76.00	46.25	2.50	4.50	1.00
25	80.00	61.50	10.00	76.00	55.00	2.50	4.50	1.00
30	93.50	61.50	10.00	89.50	55.00	2.50	4.50	1.00
35	100.00	67.25	14.00	96.00	60.75	2.50	4.50	1.00
40	112.50	67.25	14.00	108.50	60.75	2.50	4.50	1.00
50	125.50	75.75	14.00	121.50	69.25	2.50	4.50	1.00
57	125.50	85.50	14.00	121.50	79.00	2.50	4.50	1.00
66	140.50	92.50	14.00	136.50	82.50	6.00	8.00	1.00
80	140.50	107.50	14.00	136.50	97.50	6.00	8.00	1.00
100	154.50	119.80	14.00	150.50	109.75	6.00	8.00	1.00
120	182.00	119.80	14.00	178.00	109.75	6.00	8.00	1.00

**Notes:**

1. Shipping split flange dimension is for shipping and installation planning purposes only and does not add to installed overall unit length.
2. Base line includes the height for standard 2.5-inch integral base frame on unit sizes 3-57 and 6-inch integral base frame on unit sizes 66-120.

## Dimensions

**Figure 45. Front loading 2-inch and 4-inch filter placement for unit size 3-35**

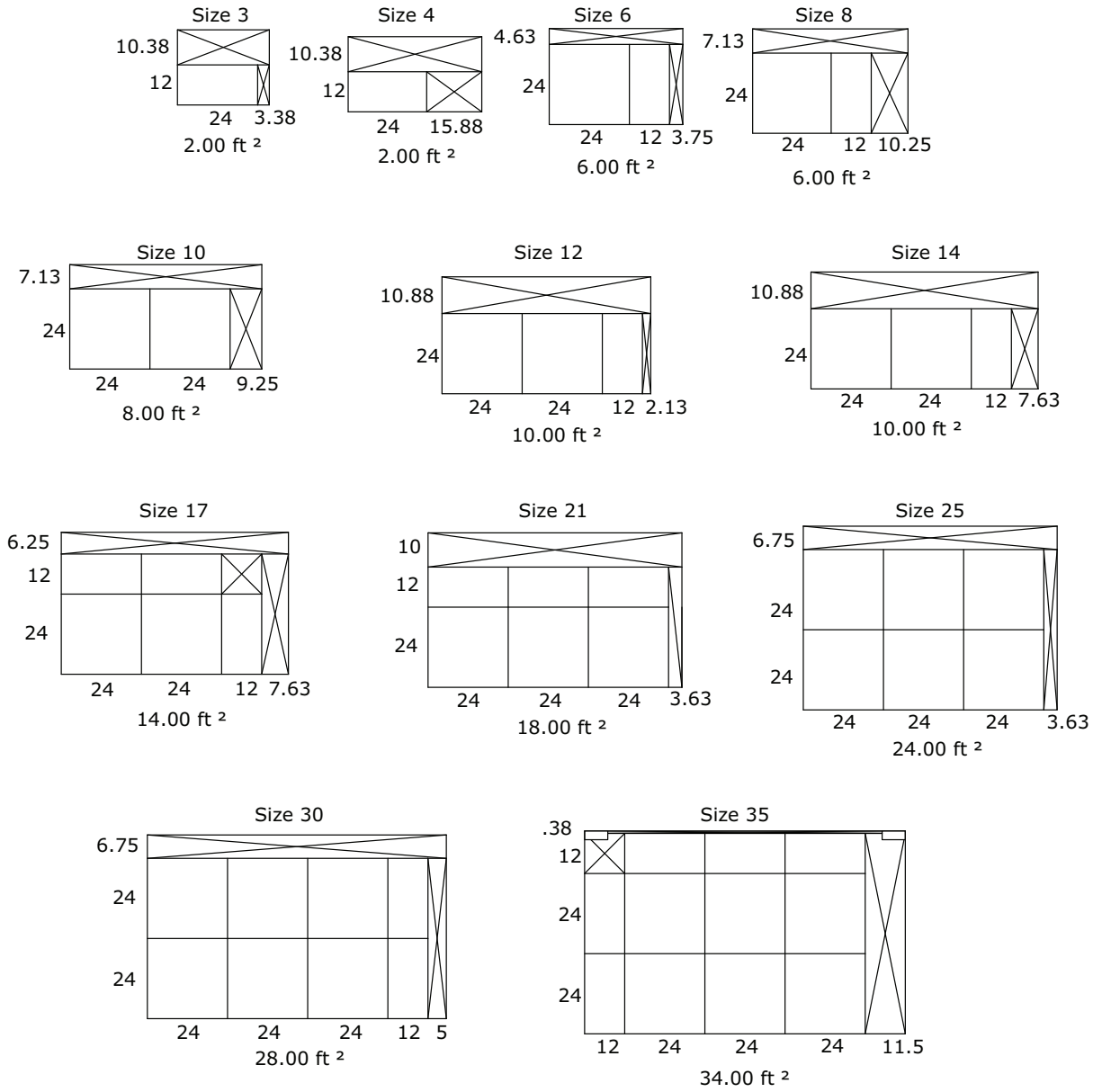
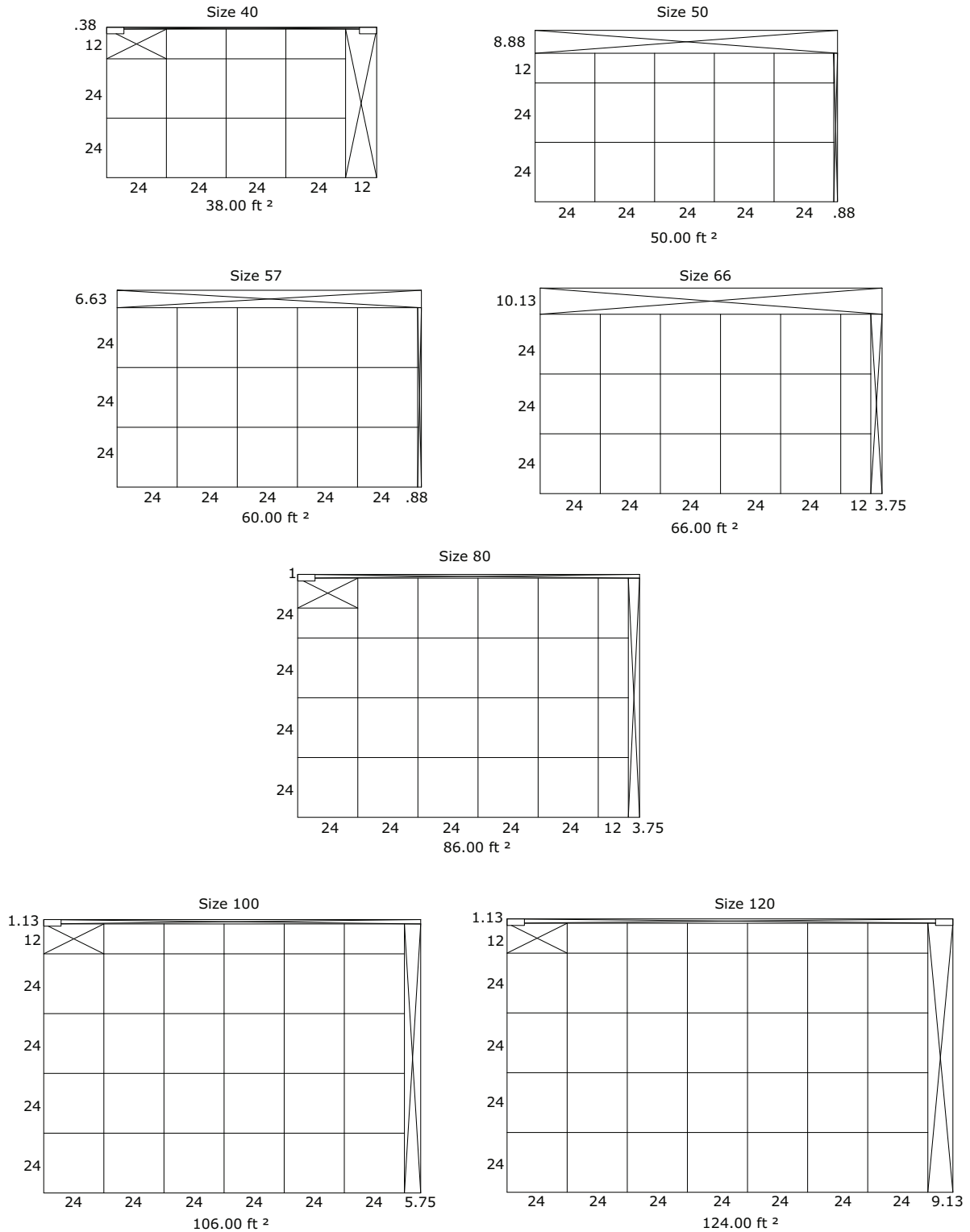


Figure 46. Front loading 2-inch and 4-inch flat filter placement for unit size 40-120





## Dimensions

### Front Loading Short Bag Filter Section

**Table 50. Front loading short bag filter dimensions (inches)**

Unit Size	Front/Back Opening			Outward Door				Inward Door				Base <sup>2</sup>				
	W	H	L	A	B	C	F	D1	D2	C	F	D1	D2	E	E1	S <sup>1</sup>
3	31.50	29.00	45.00	27.50	22.50	22.25	20.38	21.19	4.25	19.38	17.63	23.94	5.38	2.50	4.50	1.00
4	44.00	29.00	45.00	40.00	22.50	22.25	20.38	21.19	4.25	19.38	17.63	23.94	5.38	2.50	4.50	1.00
6	44.00	35.25	45.00	40.00	28.75	28.50	20.38	21.19	4.25	25.63	17.63	23.94	5.38	2.50	4.50	1.00
8	50.50	37.75	45.00	46.50	31.25	31.00	20.38	21.19	4.25	28.13	17.63	23.94	5.38	2.50	4.50	1.00
10	61.50	37.75	45.00	57.50	31.25	31.00	20.38	21.19	4.25	28.13	17.63	23.94	5.38	2.50	4.50	1.00
12	66.50	41.50	45.00	62.50	35.00	34.75	20.38	21.19	4.25	31.88	17.63	23.94	5.38	2.50	4.50	1.00
14	72.00	41.50	45.00	68.00	35.00	34.75	20.38	21.19	4.25	31.88	17.63	23.94	5.38	2.50	4.50	1.00
17	72.00	49.00	45.00	68.00	42.50	42.25	20.38	21.19	4.25	39.38	17.63	23.94	5.38	2.50	4.50	1.00
21	80.00	52.75	45.00	76.00	46.25	46.00	20.38	21.19	4.25	43.13	17.63	23.94	5.38	2.50	4.50	1.00
25	80.00	61.50	45.00	76.00	55.00	54.75	20.38	21.19	4.25	51.90	17.63	23.94	5.38	2.50	4.50	1.00
30	93.50	61.50	45.00	89.50	55.00	54.75	20.38	21.19	4.25	51.90	17.63	23.94	5.38	2.50	4.50	1.00
35	100.00	67.25	45.00	96.00	60.75	60.50	20.38	21.19	4.25	57.60	17.63	23.94	5.38	2.50	4.50	1.00
40	112.50	67.25	45.00	108.50	60.75	60.50	20.38	21.19	4.25	57.60	17.63	23.94	5.38	2.50	4.50	1.00
50	125.50	75.75	45.00	121.50	69.25	60.50	20.38	21.19	4.25	66.10	17.63	23.94	5.38	2.50	4.50	1.00
57	125.50	85.50	45.00	121.50	79.00	60.50	20.38	21.19	4.25	57.60	17.63	23.94	5.38	2.50	4.50	1.00
66	140.50	92.50	45.00	136.50	82.50	60.50	20.38	21.19	7.75	57.63	17.63	23.94	8.88	6.00	8.00	1.00
80	140.50	107.50	45.00	136.50	97.50	60.50	20.38	21.19	7.75	57.63	17.63	23.94	8.88	6.00	8.00	1.00
100	154.50	119.75	45.00	150.50	109.75	60.50	20.38	21.19	7.75	57.63	17.63	23.94	8.88	6.00	8.00	1.00
120	182.00	119.75	45.00	178.00	109.75	60.50	20.38	21.19	7.75	57.63	17.63	23.94	8.88	6.00	8.00	1.00

**Notes:**

1. Shipping split flange dimension is for shipping and installation planning purposes only and does not add to installed overall unit length.
2. Base line includes the height for standard 2.5-inch integral base frame on unit sizes 3-57 and 6-inch integral base frame on unit sizes 66-120.

**Table 51. Front loading short bag filter without door dimensions (inches)**

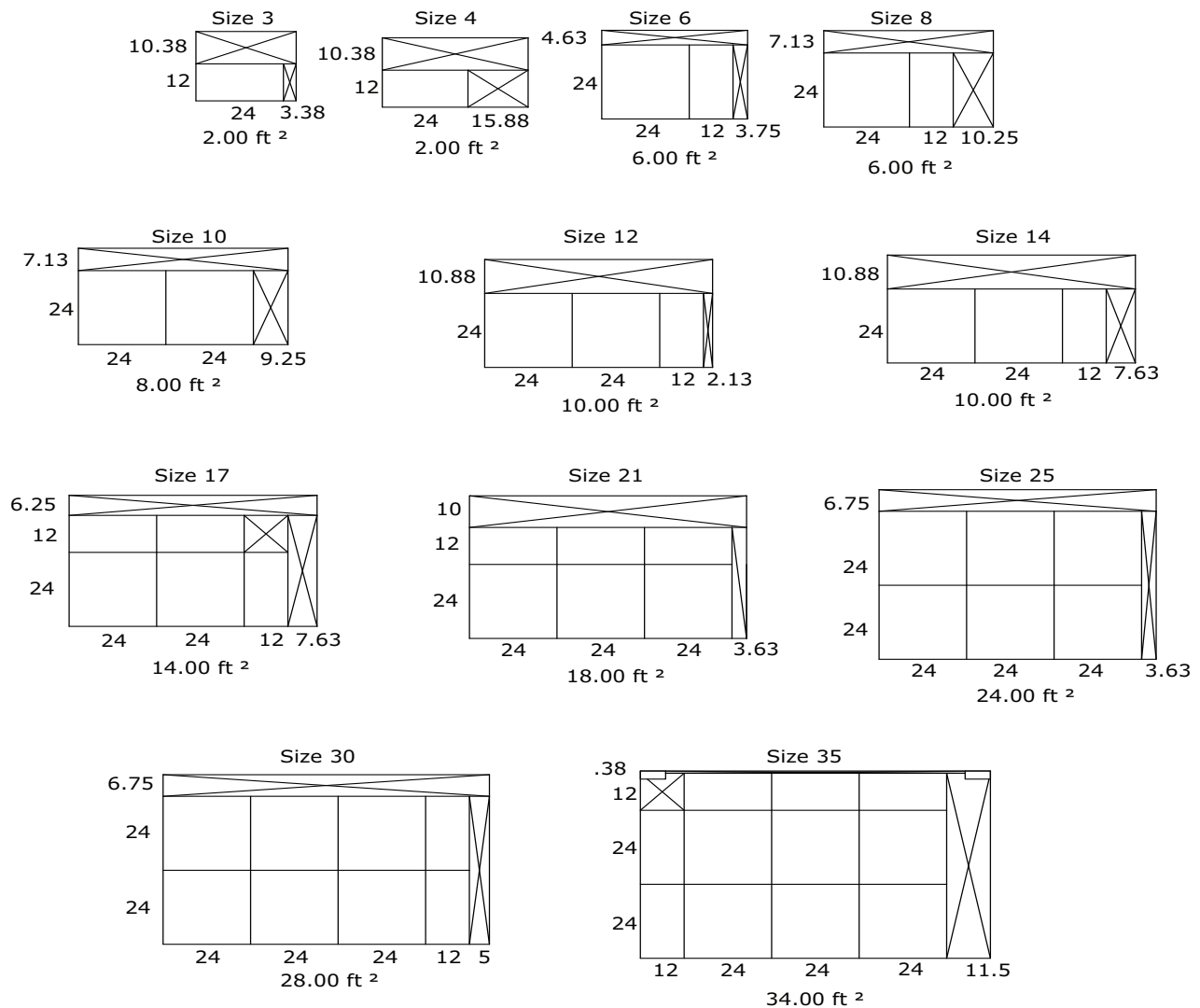
Unit size	Front/Back Opening			Base <sup>2</sup>		S <sup>1</sup>
	W	H	L	E	E1	
3	31.50	29.00	26.50	2.50	4.50	1.00
4	44.00	29.00	26.50	2.50	4.50	1.00
6	44.00	35.25	26.50	2.50	4.50	1.00
8	50.50	37.75	26.50	2.50	4.50	1.00
10	61.50	37.75	26.50	2.50	4.50	1.00
12	66.50	41.50	26.50	2.50	4.50	1.00
14	72.00	41.50	26.50	2.50	4.50	1.00
17	72.00	49.00	26.50	2.50	4.50	1.00
21	80.00	52.75	26.50	2.50	4.50	1.00
25	80.00	61.50	26.50	2.50	4.50	1.00
30	93.50	61.50	26.50	2.50	4.50	1.00
35	100.00	67.25	28.50	2.50	4.50	1.00
40	112.50	67.25	28.50	2.50	4.50	1.00
50	125.50	75.75	28.50	2.50	4.50	1.00
57	125.50	85.50	28.50	2.50	4.50	1.00
66	140.50	92.50	28.50	6.00	8.00	1.00
80	140.50	107.50	28.50	6.00	8.00	1.00

**Table 51. Front loading short bag filter without door dimensions (inches) (continued)**

Unit size	W	H	L	Front/Back Opening		Base <sup>2</sup>		S <sup>1</sup>
				A	B	E	E1	
100	154.50	119.80	28.50	150.50	109.75	6.00	8.00	1.00
120	182.00	119.80	28.50	178.00	109.75	6.00	8.00	1.00

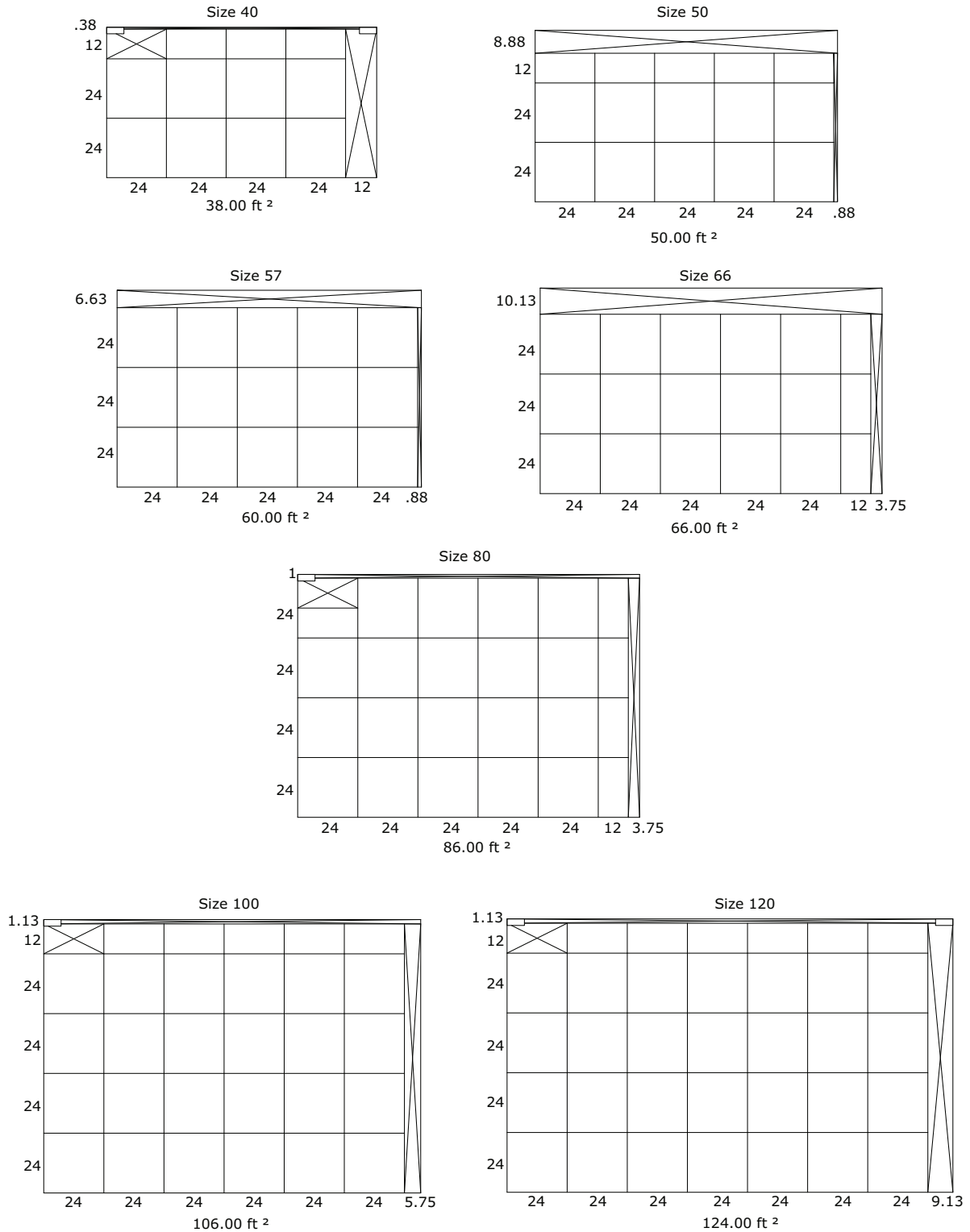
**Notes:**

- Shipping split flange dimension is for shipping and installation planning purposes only and does not add to installed overall unit length.
- Base line includes the height for standard 2.5-inch integral base frame on unit sizes 3-57 and 6-inch integral base frame on unit sizes 66-120.

**Figure 47. Front-load short bag filter placement for unit size 3-35**


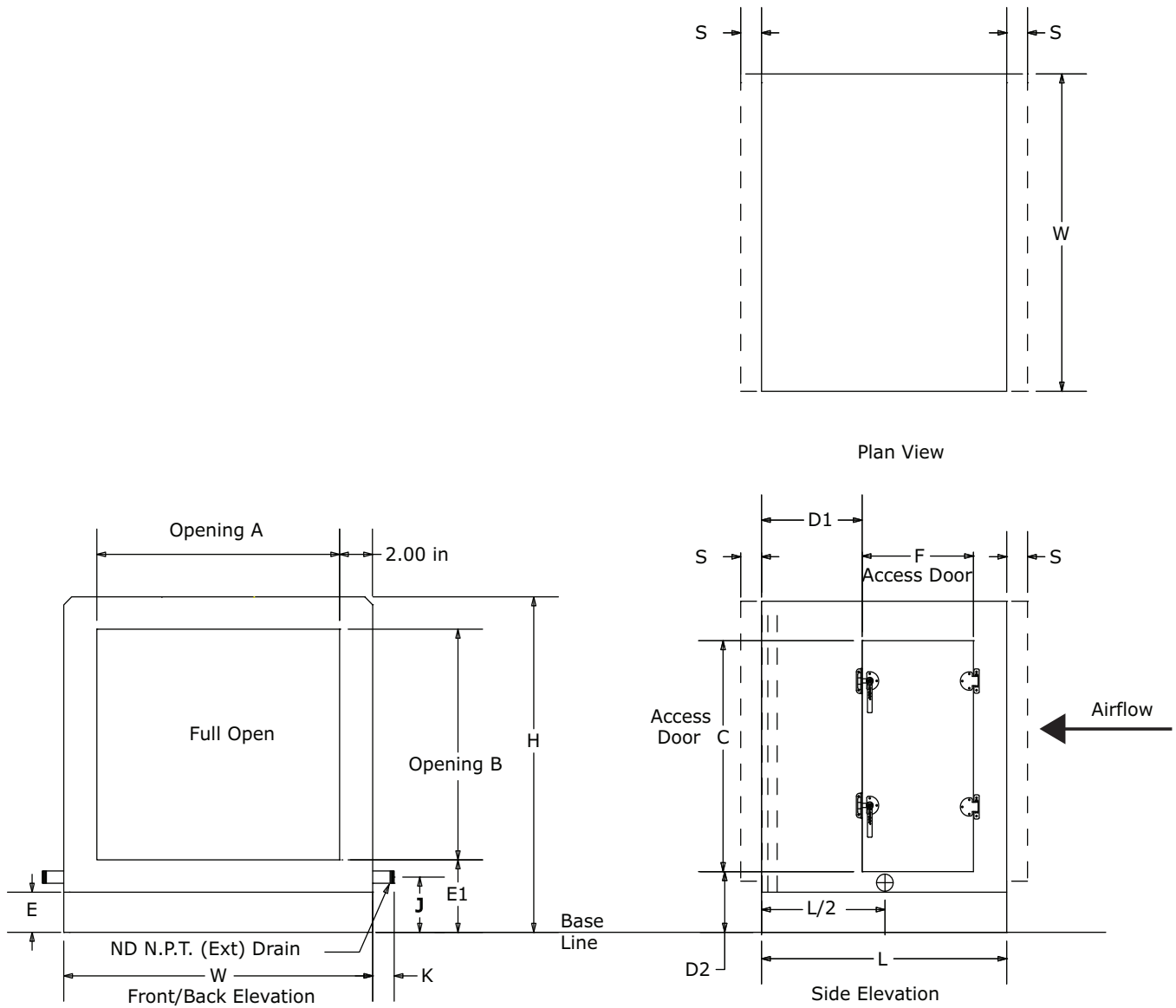
## Dimensions

Figure 48. Front-loading short bag filter placement for unit size 40-120



### Front Loading Cartridge Filter Section

Figure 49. Front loading cartridge filter section





## Dimensions

**Table 52. Front loading cartridge filter section dimensions (inches)**

Unit Size	Front/Back Opening			Outward Door				Inward Door				Base <sup>2</sup>		S <sup>1</sup>		
	W	H	L	A	B	C	F	D1	D2	C	F	D1	D2		E	E1
3	31.50	29.00	38.00	27.50	22.50	22.25	20.38	14.19	4.25	19.38	17.63	18.94	5.38	2.50	4.50	1.00
4	44.00	29.00	38.00	40.00	22.50	22.25	20.38	14.19	4.25	19.38	17.63	18.94	5.38	2.50	4.50	1.00
6	44.00	35.25	38.00	40.00	28.75	28.50	20.38	14.19	4.25	25.63	17.63	18.94	5.38	2.50	4.50	1.00
8	50.50	37.75	38.00	46.50	31.25	31.00	20.38	14.19	4.25	28.13	17.63	18.94	5.38	2.50	4.50	1.00
10	61.50	37.75	38.00	57.50	31.25	31.00	20.38	14.19	4.25	28.13	17.63	18.94	5.38	2.50	4.50	1.00
12	66.50	41.50	38.00	62.50	35.00	34.75	20.38	14.19	4.25	31.88	17.63	18.94	5.38	2.50	4.50	1.00
14	72.00	41.50	38.00	68.00	35.00	34.75	20.38	14.19	4.25	31.88	17.63	18.94	5.38	2.50	4.50	1.00
17	72.00	49.00	38.00	68.00	42.50	42.25	20.38	14.19	4.25	39.38	17.63	18.94	5.38	2.50	4.50	1.00
21	80.00	52.75	38.00	76.00	46.25	46.00	20.38	14.19	4.25	43.13	17.63	18.94	5.38	2.50	4.50	1.00
25	80.00	61.50	38.00	76.00	55.00	54.75	20.38	14.19	4.25	51.88	17.63	18.94	5.38	2.50	4.50	1.00
30	93.50	61.50	38.00	89.50	55.00	54.75	20.38	14.19	4.25	51.88	17.63	18.94	5.38	2.50	4.50	1.00
35	100.00	67.25	40.00	96.00	60.75	60.50	20.38	16.19	4.25	57.63	17.63	18.94	5.38	2.50	4.50	1.00
40	112.50	67.25	40.00	108.50	60.75	60.50	20.38	16.19	4.25	57.63	17.63	18.94	5.38	2.50	4.50	1.00
50	125.50	75.75	40.00	121.50	69.25	60.50	20.38	16.19	4.25	66.13	17.63	18.94	5.38	2.50	4.50	1.00
57	125.50	85.50	40.00	121.50	79.00	60.50	20.38	16.19	4.25	57.63	17.63	18.94	5.38	2.50	4.50	1.00
66	140.50	92.50	40.00	136.50	82.50	60.50	20.38	16.19	7.75	57.63	17.63	18.94	8.88	6.00	8.00	1.00
80	140.50	107.50	40.00	136.50	97.50	60.50	20.38	16.19	7.75	57.63	17.63	18.94	8.88	6.00	8.00	1.00
100	154.50	119.75	40.00	150.50	109.75	60.50	20.38	16.19	7.75	57.63	17.63	18.94	8.88	6.00	8.00	1.00
120	182.00	119.75	40.00	178.00	109.75	60.50	20.38	16.19	7.75	57.63	17.63	18.94	8.88	6.00	8.00	1.00

**Notes:**

1. Shipping split flange dimension is for shipping and installation planning purposes only and does not add to installed overall unit length.
2. Base line includes the height for standard 2.5-inch integral base frame on unit sizes 3-57 and 6-inch integral base frame on unit sizes 66-120.



**Table 53. Front loading cartridge filter section without door dimensions (inches)**

Unit size	W	H	L	Front/Back Opening		Base <sup>2</sup>		S <sup>1</sup>
				A	B	E	E1	
3	31.50	29.00	19.00	27.50	22.50	2.50	4.50	1.00
4	44.00	29.00	19.00	40.00	22.50	2.50	4.50	1.00
6	44.00	35.25	19.00	40.00	28.75	2.50	4.50	1.00
8	50.50	37.75	19.00	46.50	31.25	2.50	4.50	1.00
10	61.50	37.75	19.00	57.50	31.25	2.50	4.50	1.00
12	66.50	41.50	19.00	62.50	35.00	2.50	4.50	1.00
14	72.00	41.50	19.00	68.00	35.00	2.50	4.50	1.00
17	72.00	49.00	19.00	68.00	42.50	2.50	4.50	1.00
21	80.00	52.75	19.00	76.00	46.25	2.50	4.50	1.00
25	80.00	61.50	19.00	76.00	55.00	2.50	4.50	1.00
30	93.50	61.50	19.00	89.50	55.00	2.50	4.50	1.00
35	100.00	67.25	24.00	96.00	60.75	2.50	4.50	1.00
40	112.50	67.25	24.00	108.50	60.75	2.50	4.50	1.00
50	125.50	75.75	24.00	121.50	69.25	2.50	4.50	1.00
57	125.50	85.50	24.00	121.50	79.00	2.50	4.50	1.00
66	140.50	92.50	24.00	136.50	82.50	6.00	8.00	1.00
80	140.50	107.50	24.00	136.50	97.50	6.00	8.00	1.00
100	154.50	119.80	24.00	150.50	109.75	6.00	8.00	1.00
120	182.00	119.80	24.00	178.00	109.75	6.00	8.00	1.00

**Notes:**

1. Shipping split flange dimension is for shipping and installation planning purposes only and does not add to installed overall unit length.
2. Base line includes the height for standard 2.5-inch integral base frame on unit sizes 3-57 and 6-inch integral base frame on unit sizes 66-120.

## Dimensions

Figure 50. Front loading cartridge filter placement for unit size 3-35

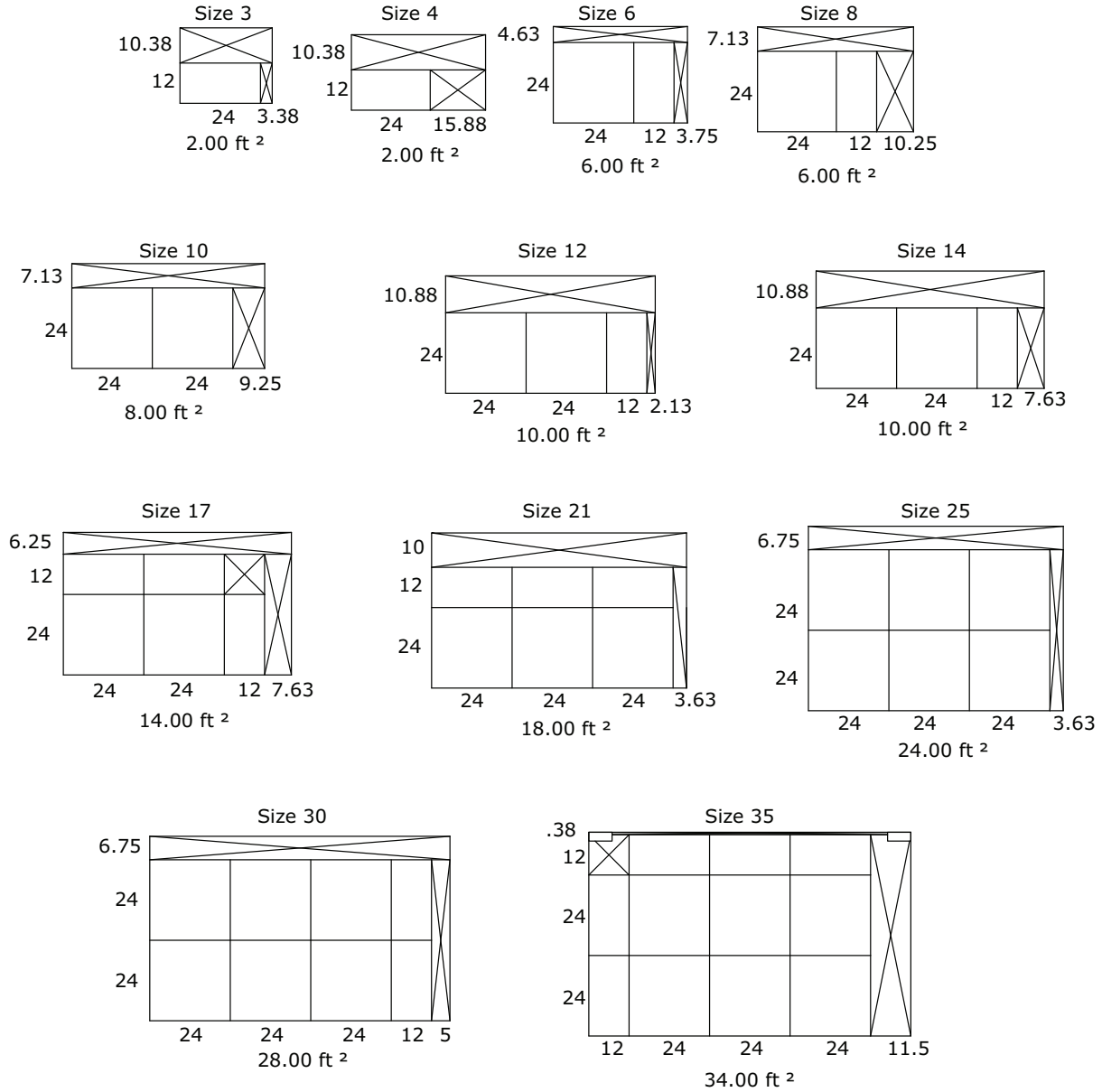
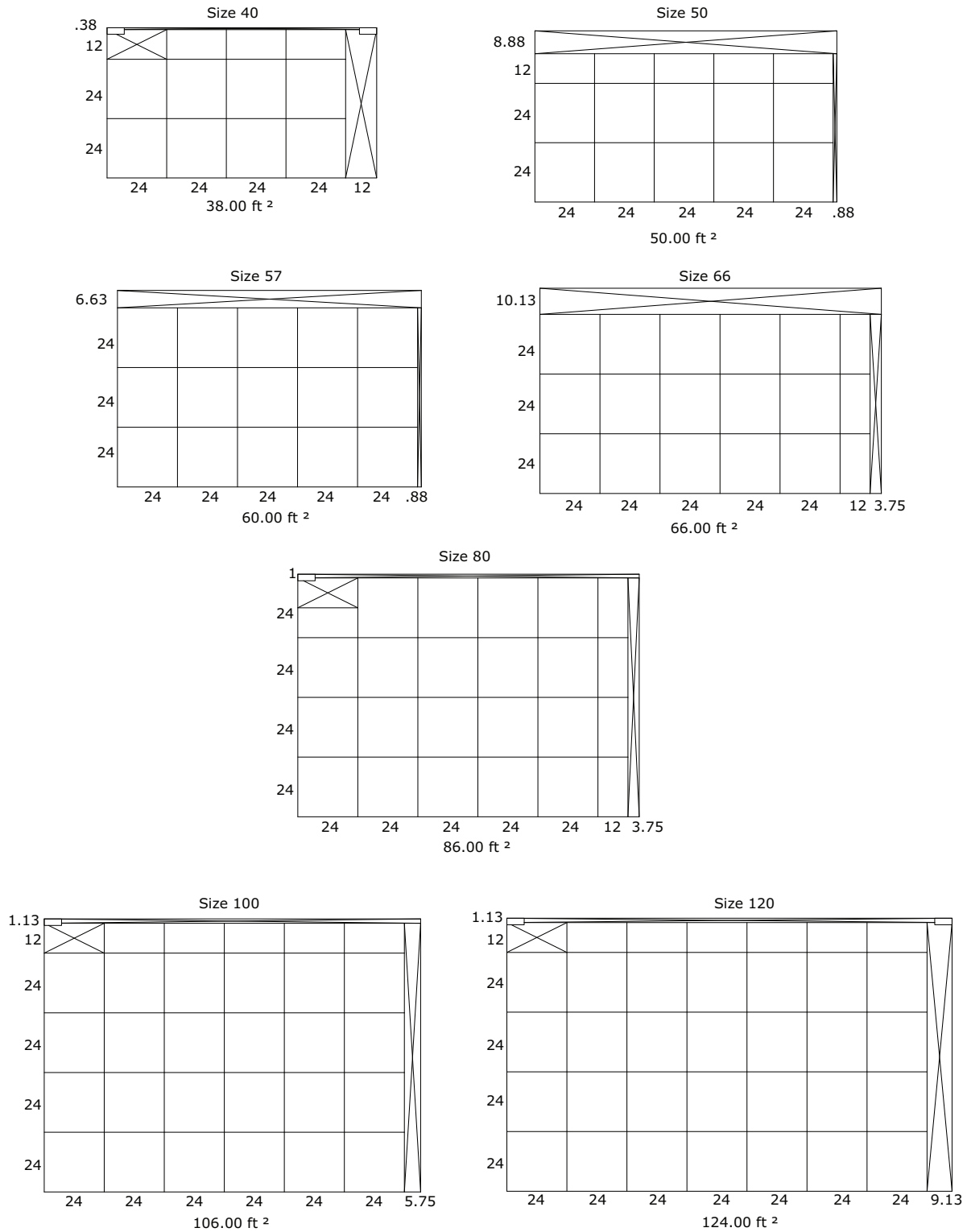


Figure 51. Front loading cartridge filter placement for unit size 40-120



### Front Loading HEPA Filter Section

Figure 52. Front loading HEPA filter section

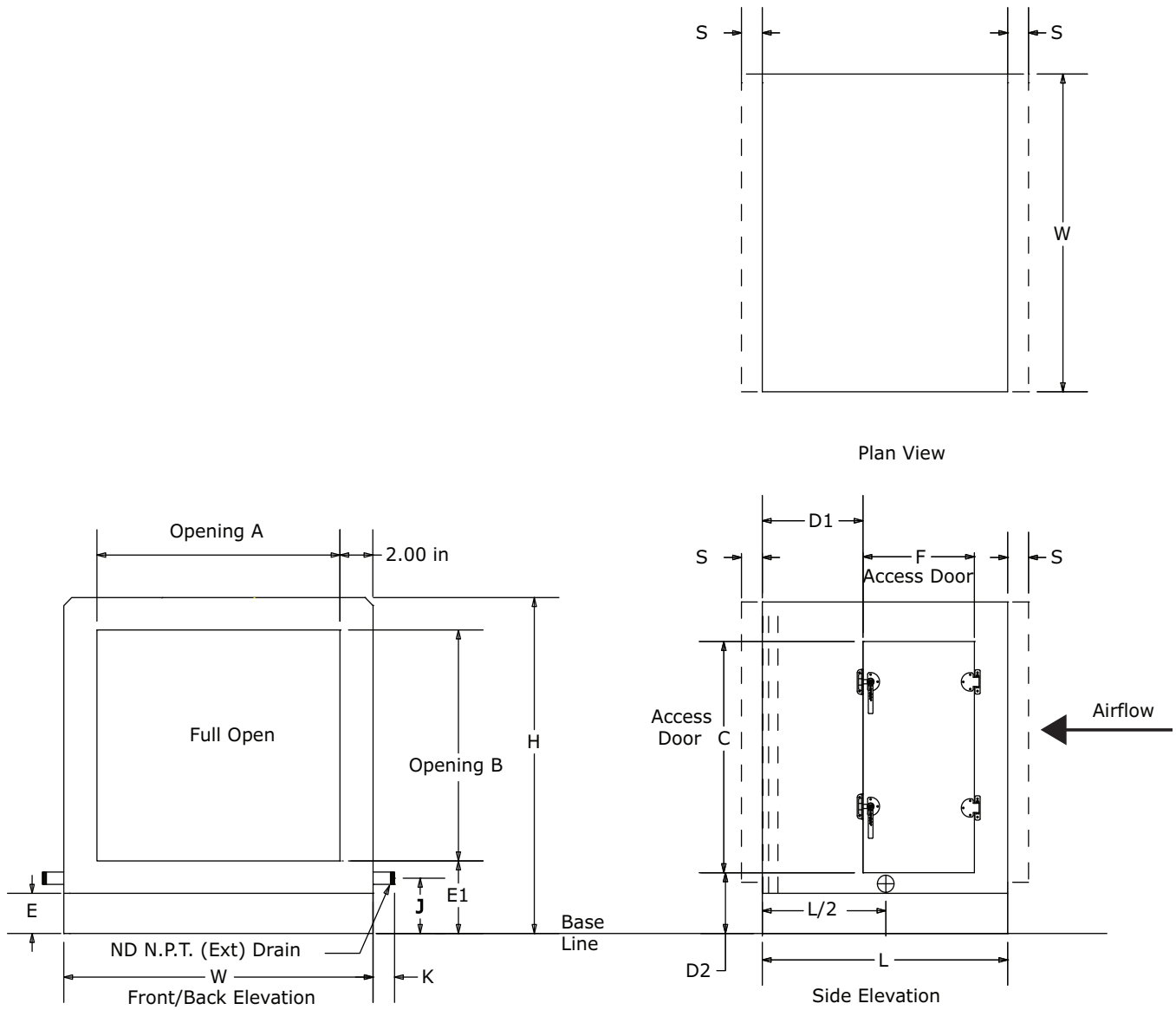


Table 54. Front loading HEPA filter section dimensions (inches)

Unit Size	Front/Back Opening			Outward Door				Inward Door				Base <sup>2</sup>				
	W	H	L	A	B	C	F	D1	D2	C	F	D1	D2	E	E1	S <sup>1</sup>
3	31.50	29.00	38.00	27.50	22.50	22.25	20.38	14.19	4.25	19.38	17.63	18.94	5.38	2.50	4.50	1.00
4	44.00	29.00	38.00	40.00	22.50	22.25	20.38	14.19	4.25	19.38	17.63	18.94	5.38	2.50	4.50	1.00
6	44.00	35.25	38.00	40.00	28.75	28.50	20.38	14.19	4.25	25.63	17.63	18.94	5.38	2.50	4.50	1.00
8	50.50	37.75	38.00	46.50	31.25	31.00	20.38	14.19	4.25	28.13	17.63	18.94	5.38	2.50	4.50	1.00
10	61.50	37.75	38.00	57.50	31.25	31.00	20.38	14.19	4.25	28.13	17.63	18.94	5.38	2.50	4.50	1.00

**Table 54. Front loading HEPA filter section dimensions (inches) (continued)**

Unit Size	Front/Back Opening			Outward Door				Inward Door				Base <sup>2</sup>		S <sup>1</sup>		
	W	H	L	A	B	C	F	D1	D2	C	F	D1	D2		E	E1
12	66.50	41.50	38.00	62.50	35.00	34.75	20.38	14.19	4.25	31.88	17.63	18.94	5.38	2.50	4.50	1.00
14	72.00	41.50	38.00	68.00	35.00	34.75	20.38	14.19	4.25	31.88	17.63	18.94	5.38	2.50	4.50	1.00
17	72.00	49.00	38.00	68.00	42.50	42.25	20.38	14.19	4.25	39.38	17.63	18.94	5.38	2.50	4.50	1.00
21	80.00	52.75	38.00	76.00	46.25	46.00	20.38	14.19	4.25	43.13	17.63	18.94	5.38	2.50	4.50	1.00
25	80.00	61.50	38.00	76.00	55.00	54.75	20.38	14.19	4.25	51.88	17.63	18.94	5.38	2.50	4.50	1.00
30	93.50	61.50	38.00	89.50	55.00	54.75	20.38	14.19	4.25	51.88	17.63	18.94	5.38	2.50	4.50	1.00
35	100.00	67.25	40.00	96.00	60.75	60.50	20.38	16.19	4.25	57.63	17.63	18.94	5.38	2.50	4.50	1.00
40	112.50	67.25	40.00	108.50	60.75	60.50	20.38	16.19	4.25	57.63	17.63	18.94	5.38	2.50	4.50	1.00
50	125.50	75.75	40.00	121.50	69.25	60.50	20.38	16.19	4.25	66.13	17.63	18.94	5.38	2.50	4.50	1.00
57	125.50	85.50	40.00	121.50	79.00	60.50	20.38	16.19	4.25	57.63	17.63	18.94	5.38	2.50	4.50	1.00
66	140.50	92.50	40.00	136.50	82.50	60.50	20.38	16.19	7.75	57.63	17.63	18.94	8.88	6.00	8.00	1.00
80	140.50	107.50	40.00	136.50	97.50	60.50	20.38	16.19	7.75	57.63	17.63	18.94	8.88	6.00	8.00	1.00
100	154.50	119.75	40.00	150.50	109.75	60.50	20.38	16.19	7.75	57.63	17.63	18.94	8.88	6.00	8.00	1.00
120	182.00	119.75	40.00	178.00	109.75	60.50	20.38	16.19	7.75	57.63	17.63	18.94	8.88	6.00	8.00	1.00

**Notes:**

1. Shipping split flange dimension is for shipping and installation planning purposes only and does not add to installed overall unit length.
2. Base line includes the height for standard 2.5-inch integral base frame on unit sizes 3-57 and 6-inch integral base frame on unit sizes 66-120.

**Table 55. Front loading HEPA filter section without door dimensions (inches)**

Unit size	Front/Back Opening			Base <sup>2</sup>		S <sup>1</sup>
	W	H	L	A	B	
3	31.50	29.00	19.00	27.50	22.50	1.00
4	44.00	29.00	19.00	40.00	22.50	1.00
6	44.00	35.25	19.00	40.00	28.75	1.00
8	50.50	37.75	19.00	46.50	31.25	1.00
10	61.50	37.75	19.00	57.50	31.25	1.00
12	66.50	41.50	19.00	62.50	35.00	1.00
14	72.00	41.50	19.00	68.00	35.00	1.00
17	72.00	49.00	19.00	68.00	42.50	1.00
21	80.00	52.75	19.00	76.00	46.25	1.00
25	80.00	61.50	19.00	76.00	55.00	1.00
30	93.50	61.50	19.00	89.50	55.00	1.00
35	100.00	67.25	24.00	96.00	60.75	1.00
40	112.50	67.25	24.00	108.50	60.75	1.00
50	125.50	75.75	24.00	121.50	69.25	1.00
57	125.50	85.50	24.00	121.50	79.00	1.00
66	140.50	92.50	24.00	136.50	82.50	1.00
80	140.50	107.50	24.00	136.50	97.50	1.00
100	154.50	119.80	24.00	150.50	109.75	1.00
120	182.00	119.80	24.00	178.00	109.75	1.00

**Notes:**

1. Shipping split flange dimension is for shipping and installation planning purposes only and does not add to installed overall unit length.
2. Base line includes the height for standard 2.5-inch integral base frame on unit sizes 3-57 and 6-inch integral base frame on unit sizes 66-120.

## Dimensions

Figure 53. Front loading HEPA filter placement for unit size 3-36

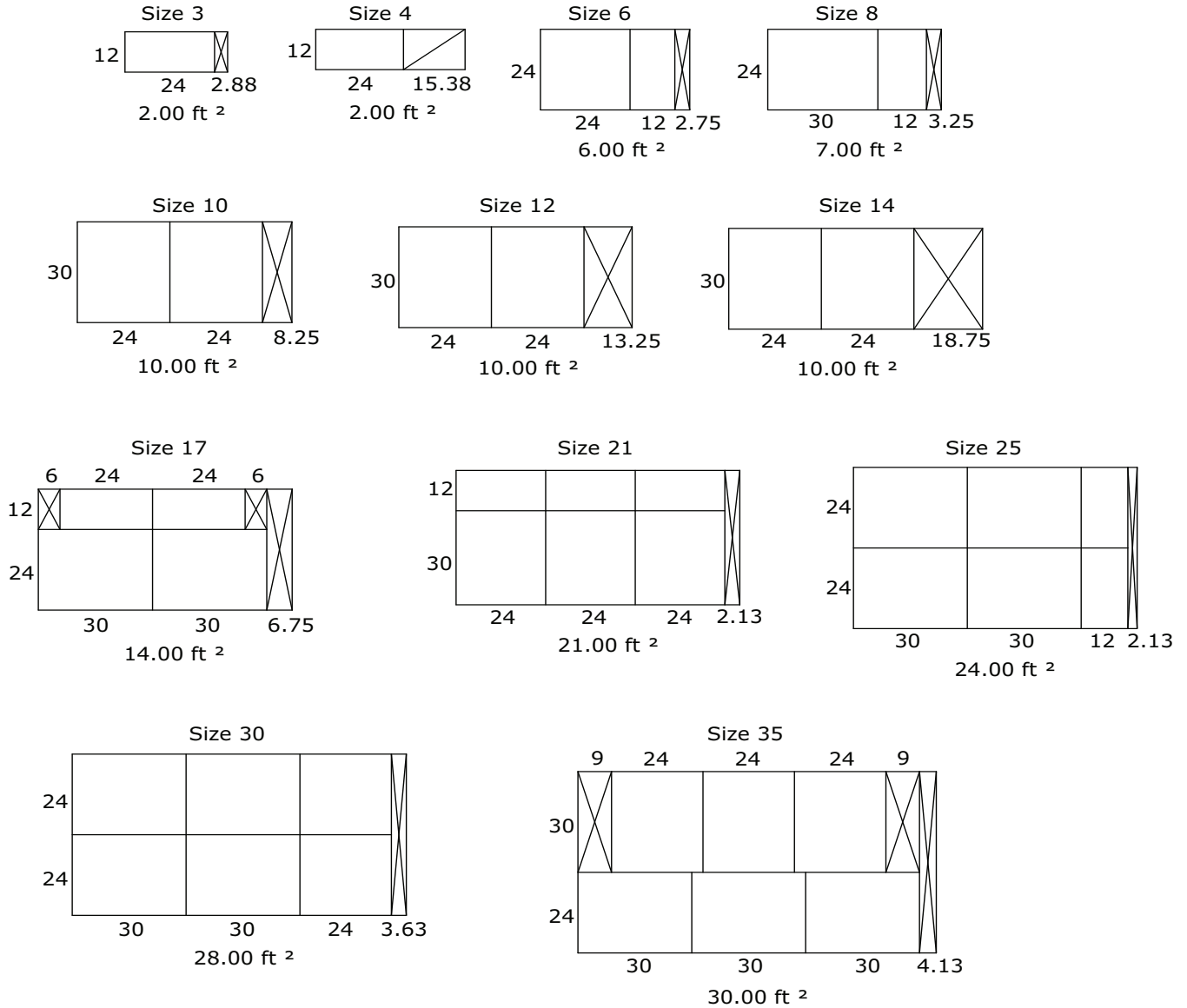
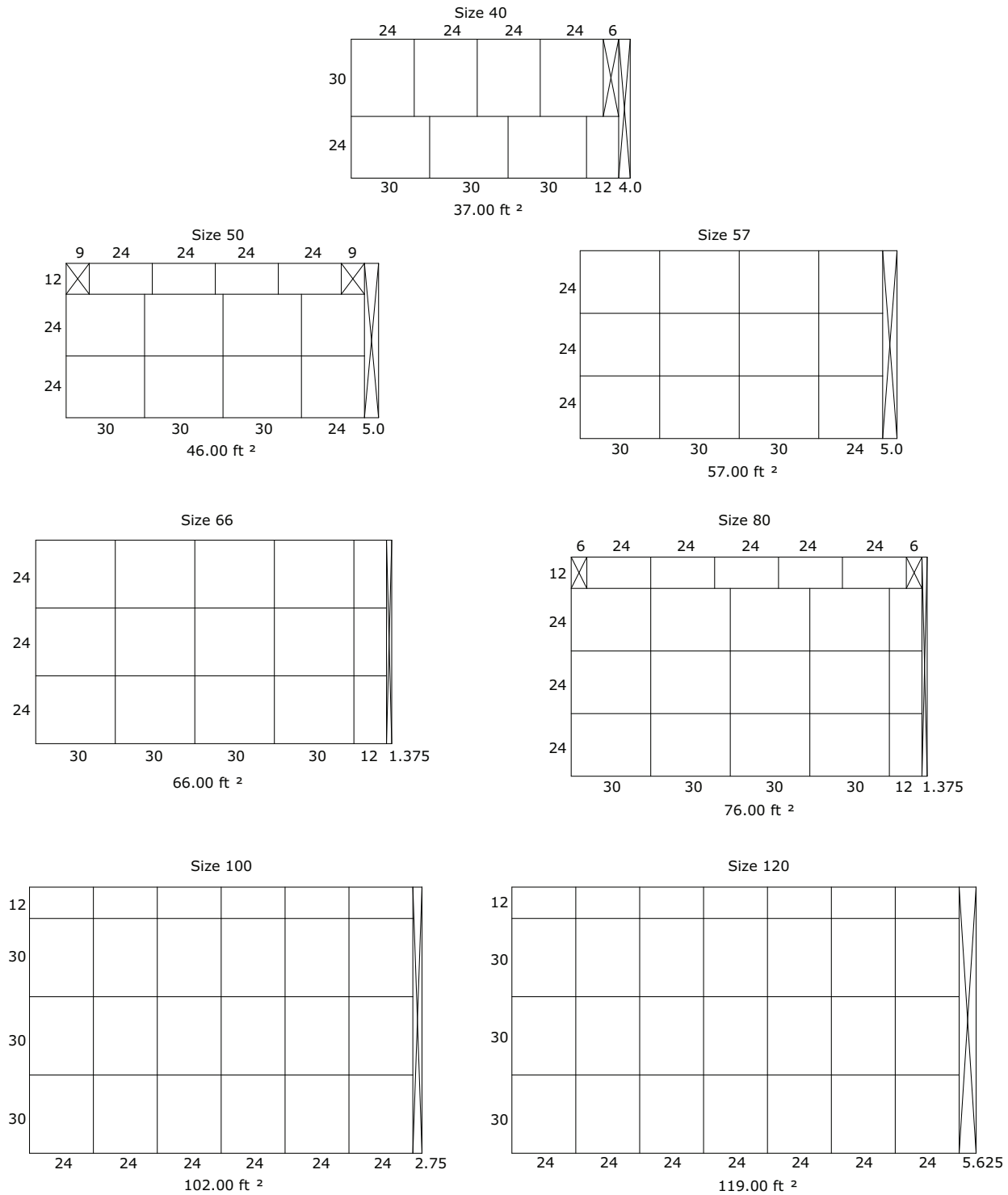


Figure 54. Front loading HEPA filter placement for unit size 40-120



## Gas Heat - Drum and Tube

Figure 55. Gas heat section

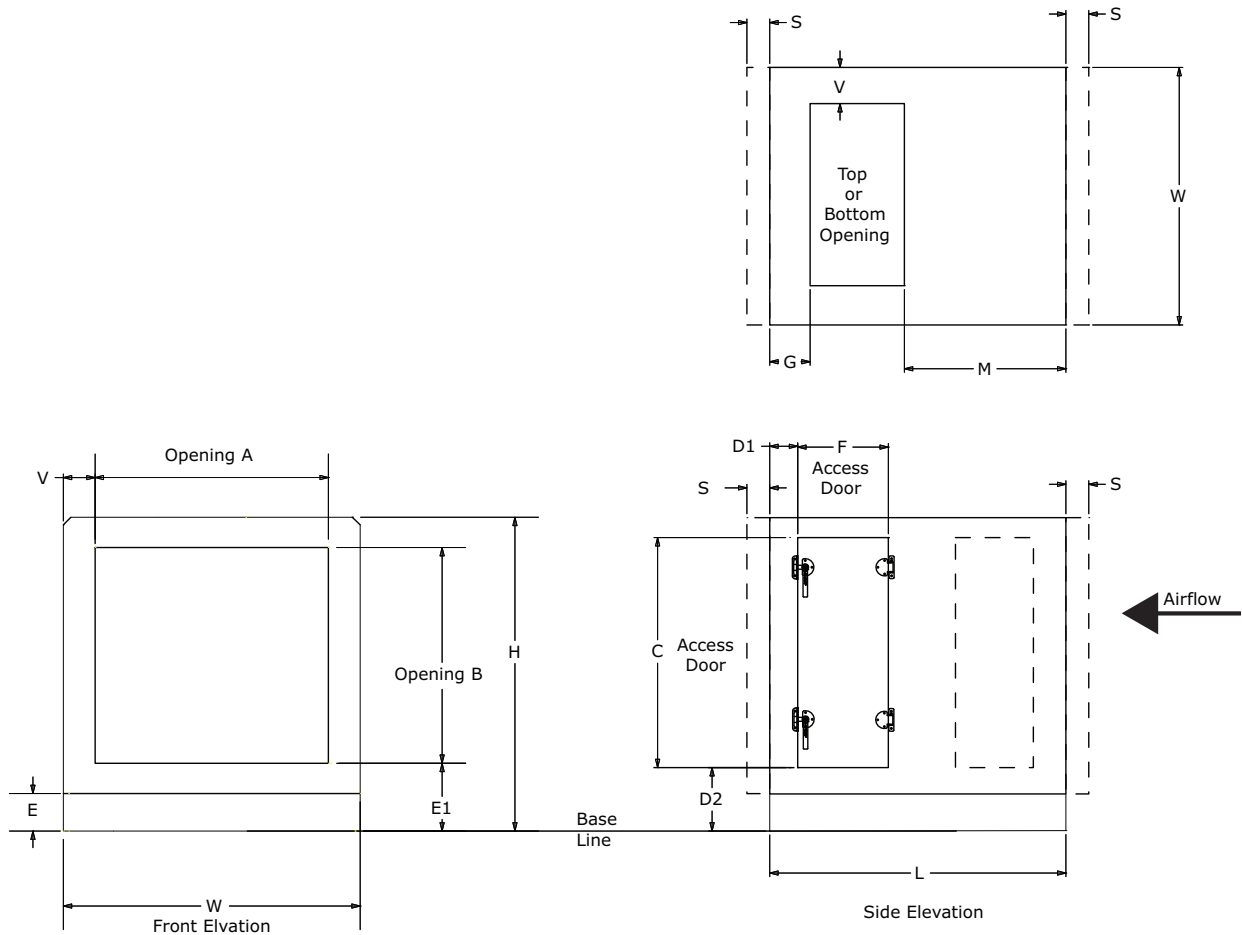


Table 56. Gas heat drum and tube section dimensions (inches)

Unit size	MBH	Vestibule type	Including			Front/back opening Full open		Front discharge			
			W	vestibule W	H	A	B	A	B	E1	V
6	200	Ext	44.00	77.00	35.25	40.00	31.25	20.00	14.00	11.50	10.00
	300	Ext	44.00	69.75	35.25	40.00	31.25	20.00	14.00	11.38	10.00
8	200	Ext	50.50	77.50	37.75	46.50	33.75	22.00	16.00	11.63	10.00
	300	Ext	50.50	72.75	37.75	46.50	33.75	22.00	16.00	11.88	10.00
10	200	Ext	61.50	77.50	37.75	57.50	33.75	26.00	16.00	11.50	10.00
	320/360	Ext	61.50	96.13	37.75	57.50	33.75	26.00	16.00	11.63	10.00
12	200	Int	66.50	66.50	41.50	62.50	37.50	28.00	16.00	15.50	10.00
	320/360	Ext	66.50	87.50	41.50	62.50	37.50	42.00	16.00	12.50	10.00
14	200	Int	72.00	72.00	41.50	68.00	37.50	30.00	18.00	13.50	10.00
	320/360	Ext	72.00	86.13	41.50	68.00	37.50	32.00	18.00	10.50	10.00



**Table 56. Gas heat drum and tube section dimensions (inches) (continued)**

Unit size	MBH	Vestibule type	Including			Front/back opening Full open		Front discharge			
			W	vestibule W	H	A	B	A	B	E1	V
17	200	Int	72.00	72.00	49.00	68.00	45.00	34.00	18.00	17.50	6.00
	320/360	Ext	72.00	86.25	49.00	68.00	45.00	46.00	18.00	19.13	10.00
	560	Ext	72.00	86.25	49.00	68.00	45.00	46.00	18.00	22.63	10.00
	700	Ext	72.00	93.13	49.00	68.00	45.00	46.00	18.00	22.38	10.00
21	200	Int	80.00	80.00	52.75	76.00	48.75	33.00	23.00	15.25	7.00
	320/360	Ext	80.00	86.13	52.75	76.00	48.75	45.00	18.00	22.38	10.00
	560	Ext	80.00	86.13	52.75	76.00	48.75	45.00	18.00	26.38	10.00
	700	Ext	80.00	92.63	52.75	76.00	48.75	45.00	18.00	22.38	10.00
	860	Ext	80.00	97.63	52.75	76.00	48.75	45.00	18.00	26.38	10.00
	1000	Ext	80.00	103.00	52.75	76.00	48.75	45.00	18.00	26.38	10.00
25	320/360	Ext	80.00	86.25	61.50	76.00	57.50	45.00	22.00	20.13	10.00
	560	Ext	80.00	86.25	61.50	76.00	57.50	45.00	22.00	25.13	10.00
	700	Ext	80.00	92.75	61.50	76.00	57.50	45.00	22.00	27.13	10.00
	860	Ext	80.00	95.75	61.50	76.00	57.50	45.00	22.00	30.88	10.00
	860	Ext	80.00	95.75	61.50	76.00	57.50	45.00	22.00	26.38	10.00
	1000	Ext	80.00	103.13	61.50	76.00	57.50	45.00	22.00	30.88	10.00
	1000	Ext	80.00	103.13	61.50	76.00	57.50	45.00	22.00	26.38	10.00
30	320/360	Int	93.50	93.50	61.50	89.50	57.50	50.00	22.00	23.38	10.00
	560	Int	93.50	93.50	61.50	89.50	57.50	50.00	32.00	28.38	10.00
	700	Int	93.50	93.50	61.50	89.50	57.50	51.00	22.00	30.38	10.00
	860	Int	93.50	93.50	61.50	89.50	57.50	51.00	22.00	30.88	10.00
	1000	Ext	93.50	105.63	61.50	89.50	57.50	51.00	22.00	30.88	10.00
35	320/360	Int	100.00	100.00	67.25	96.00	63.25	53.00	24.00	24.38	16.00
	560	Int	100.00	100.00	67.25	96.00	63.25	51.00	32.00	21.38	16.00
	700	Int	100.00	100.00	67.25	96.00	63.25	51.00	32.00	23.38	14.00
	860	Int	100.00	100.00	67.25	96.00	63.25	53.00	32.00	25.38	12.00
	1000	Ext	100.00	106.63	67.25	96.00	63.25	53.00	32.00	25.38	10.00
	1250	Ext	100.00	124.00	67.25	96.00	63.25	49.00	32.00	16.38	10.00
	1250	Ext	100.00	124.00	67.25	96.00	63.25	49.00	32.00	24.38	10.00
	1500	Ext	100.00	124.00	67.25	96.00	63.25	49.00	32.00	16.38	10.00
	1500	Ext	100.00	124.00	67.25	96.00	63.25	49.00	32.00	24.38	10.00
	1750	Ext	100.00	124.00	67.25	96.00	63.25	49.00	32.00	16.38	10.00
	1750	Ext	100.00	124.00	67.25	96.00	63.25	49.00	32.00	24.38	10.00



## Dimensions

**Table 56. Gas heat drum and tube section dimensions (inches) (continued)**

Unit size	MBH	Vestibule type	Including			Front/back opening Full open		Front discharge			
			W	vestibule W	H	A	B	A	B	E1	V
40	560	Int	112.50	112.50	67.25	108.50	63.25	53.00	32.00	24.50	25.00
	700	Int	112.50	112.50	67.25	108.50	63.25	53.00	32.00	26.50	25.00
	860	Int	112.50	112.50	67.25	108.50	63.25	53.00	32.00	26.75	24.00
	1000	Ext	112.50	118.63	67.25	108.50	63.25	53.00	32.00	26.75	18.00
	1250	Ext	112.50	127.88	67.25	108.50	63.25	49.00	32.00	16.38	10.00
	1250	Ext	112.50	127.88	67.25	108.50	63.25	49.00	32.00	24.38	10.00
	1500	Ext	112.50	127.88	67.25	108.50	63.25	49.00	32.00	16.38	10.00
	1750	Ext	112.50	127.88	67.25	108.50	63.25	49.00	32.00	24.38	10.00
	1500	Ext	112.50	127.88	67.25	108.50	63.25	49.00	32.00	16.38	10.00
	1750	Ext	112.50	127.88	67.25	108.50	63.25	49.00	32.00	24.38	10.00
50	560	Int	125.50	125.50	75.75	121.50	71.75	53.00	34.00	26.38	22.00
	700	Int	125.50	125.50	75.75	121.50	71.75	58.00	36.00	26.38	30.00
	860	Int	125.50	125.50	75.75	121.50	71.75	58.00	36.00	28.38	31.00
	1000	Int	125.50	125.50	75.75	121.50	71.75	58.00	36.00	28.38	29.50
	1250	Ext	125.50	132.88	75.75	121.50	71.75	58.00	36.00	15.13	10.00
	1250	Ext	125.50	132.88	75.75	121.50	71.75	58.00	36.00	28.88	10.00
	1500	Ext	125.50	132.88	75.75	121.50	71.75	58.00	36.00	15.13	10.00
	1500	Ext	125.50	132.88	75.75	121.50	71.75	58.00	36.00	28.88	10.00
	1750	Ext	125.50	132.88	75.75	121.50	71.75	58.00	36.00	15.13	10.00
	1750	Ext	125.50	132.88	75.75	121.50	71.75	58.00	36.00	28.88	10.00
	2000	Ext	125.50	144.00	75.75	121.50	71.75	58.00	36.00	17.00	10.00
	2000	Ext	125.50	144.00	75.75	121.50	71.75	58.00	36.00	28.63	10.00
57	560	Int	125.50	125.63	85.50	121.50	81.50	53.00	39.00	21.38	29.00
	700	Int	125.50	125.63	85.50	121.50	81.50	60.00	36.00	26.38	28.00
	860	Int	125.50	125.63	85.50	121.50	81.50	60.00	36.00	28.38	31.00
	1000	Int	125.50	125.63	85.50	121.50	81.50	60.00	36.00	28.38	29.50
	1250	Ext	125.50	133.00	85.50	121.50	81.50	60.00	36.00	30.38	10.00
	1500	Ext	125.50	133.00	85.50	121.50	81.50	60.00	36.00	30.38	10.00
	1750	Ext	125.50	133.00	85.50	121.50	81.50	60.00	36.00	30.38	10.00
	2000	Ext	125.50	144.13	85.50	121.50	81.50	60.00	36.00	32.38	10.00
66	700	Int	140.50	140.50	92.50	136.50	88.50	60.00	40.00	30.88	32.00
	860	Int	140.50	140.50	92.50	136.50	88.50	64.00	40.00	32.88	32.00
	1000	Int	140.50	140.50	92.50	136.50	88.50	63.00	40.00	32.88	35.00
	1250	Int	140.50	140.50	92.50	136.50	88.50	63.00	40.00	34.88	11.00
	1500	Int	140.50	140.50	92.50	136.50	88.50	63.00	40.00	34.88	11.00
	1750	Int	140.50	140.50	92.50	136.50	88.50	63.00	40.00	34.88	11.00
	2000	Ext	140.50	151.00	92.50	136.50	88.50	63.00	40.00	36.88	13.00
	2400	Ext	140.50	158.00	92.50	136.50	88.50	63.00	40.00	38.38	10.00

**Table 56. Gas heat drum and tube section dimensions (inches) (continued)**

Unit size	MBH	Vestibule type	Including			Front/back opening Full open		Front discharge			
			W	vestibule W	H	A	B	A	B	E1	V
80	860	Int	140.50	140.63	107.50	136.50	103.50	64.00	45.00	31.88	28.00
	1000	Int	140.50	140.63	107.50	136.50	103.50	70.00	41.00	35.88	29.00
	1250	Int	140.50	140.63	107.50	136.50	103.50	80.00	40.00	38.88	7.00
	1500	Int	140.50	140.63	107.50	136.50	103.50	80.00	40.00	38.88	7.00
	1750	Int	140.50	140.63	107.50	136.50	103.50	80.00	40.00	38.88	7.00
	2000	Ext	140.50	162.63	107.50	136.50	103.50	80.00	40.00	40.88	24.51
	2400	Ext	140.50	166.63	107.50	136.50	103.50	80.00	40.00	46.13	14.63
100	1000	Int	154.50	154.50	119.75	150.50	115.75	72.00	51.00	31.88	28.00
	1000	Int	154.50	154.50	119.75	150.50	115.75	72.00	51.00	25.88	28.00
	1250-1750	Int	154.50	154.50	119.75	150.50	115.75	90.00	44.00	40.88	31.00
	1250-1750	Int	154.50	154.50	119.75	150.50	115.75	90.00	44.00	40.88	31.00
	1250-1750	Int	154.50	154.50	119.75	150.50	115.75	90.00	44.00	34.88	31.00
	1250-1750	Int	154.50	154.50	119.75	150.50	115.75	90.00	44.00	34.88	31.00
	2000	Int	154.50	154.50	119.75	150.50	115.75	90.00	44.00	42.88	14.50
	2000	Int	154.50	154.50	119.75	150.50	115.75	90.00	44.00	42.88	14.50
	2000	Int	154.50	154.50	119.75	150.50	115.75	90.00	44.00	36.88	14.50
	2000	Int	154.50	154.50	119.75	150.50	115.75	90.00	44.00	36.88	14.50
	2400	Ext	154.50	167.50	119.75	150.50	115.75	90.00	44.00	48.13	9.62
	2400	Ext	154.50	167.50	119.75	150.50	115.75	90.00	44.00	48.25	9.62
	2400	Ext	154.50	167.50	119.75	150.50	115.75	90.00	44.00	42.13	9.62
2400	Ext	154.50	167.50	119.75	150.50	115.75	90.00	44.00	42.13	9.62	
120	1000	Int	182.00	182.00	119.75	178.00	115.75	72.00	61.00	28.38	45.00
	1000	Int	182.00	182.00	119.75	178.00	115.75	72.00	61.00	15.88	45.00
	1250-1750	Int	182.00	182.00	119.75	178.00	115.75	90.00	48.00	43.38	58.00
	1250-1750	Int	182.00	182.00	119.75	178.00	115.75	90.00	48.00	43.38	58.00
	1250-1750	Int	182.00	182.00	119.75	178.00	115.75	90.00	48.00	30.88	58.00
	1250-1750	Int	182.00	182.00	119.75	178.00	115.75	90.00	48.00	30.88	58.00
	1250-1750	Int	182.00	182.00	119.75	178.00	115.75	90.00	48.00	30.88	58.00
	2000	Int	182.00	182.00	119.75	178.00	115.75	105.00	48.00	45.38	42.00
	2000	Int	182.00	182.00	119.75	178.00	115.75	105.00	48.00	45.38	42.00
	2000	Int	182.00	182.00	119.75	178.00	115.75	105.00	48.00	32.88	42.00
	2000	Int	182.00	182.00	119.75	178.00	115.75	105.00	48.00	32.88	42.00
	2000	Int	182.00	182.00	119.75	178.00	115.75	105.00	48.00	32.88	42.00
	2400	Int	182.00	182.00	119.75	178.00	115.75	105.00	48.00	50.63	28.12
	2400	Int	182.00	182.00	119.75	178.00	115.75	105.00	48.00	50.63	28.12
	2400	Int	182.00	182.00	119.75	178.00	115.75	105.00	48.00	38.13	28.12
2400	Int	182.00	182.00	119.75	178.00	115.75	105.00	48.00	38.13	28.12	
2400	Int	182.00	182.00	119.75	178.00	115.75	105.00	48.00	38.13	28.12	



## Dimensions

**Table 57. Gas heat drum and tube section dimensions (inches)**

Unit size	MBH	Vestibule type	Top Discharge				Bottom Discharge			
			A	B	G	V	A	B	G	V
6	200	Ext	20.00	14.00	5.50	10.00	26.81	9.50	9.00	9.63
	300	Ext	20.00	14.00	5.50	10.00	17.25	14.63	9.00	12.00
8	200	Ext	22.00	16.00	5.50	10.00	26.81	12.00	9.00	10.00
	300	Ext	22.00	16.00	5.50	10.00	17.25	19.88	9.00	15.00
10	200	Ext	26.00	16.00	5.50	10.00	26.81	16.00	9.00	10.00
	320/360	Ext	26.00	16.00	5.50	10.00	45.50	9.50	9.00	11.00
12	200	Int	28.00	16.00	5.50	10.00	26.81	19.00	9.00	10.00
	320/360	Ext	42.00	16.00	5.50	10.00	45.50	11.00	9.00	11.00
14	200	Int	30.00	18.00	5.50	10.00	26.81	21.00	9.00	12.00
	320/360	Ext	32.00	18.00	5.50	10.00	45.50	12.00	9.00	11.00
17	200	Int	34.00	18.00	5.50	6.00	26.81	25.75	9.00	10.00
	320/360	Ext	46.00	18.00	5.50	10.00	45.50	16.00	9.00	11.00
	560	Ext	46.00	18.00	5.50	10.00	43.75	16.00	9.00	11.50
	700	Ext	46.00	18.00	5.50	10.00	46.00	16.00	9.00	13.00
21	200	Int	33.00	23.00	5.50	7.00	26.81	32.75	9.00	11.00
	320/360	Ext	45.00	18.00	5.50	10.00	45.50	19.00	9.00	11.00
	560	Ext	45.00	18.00	5.50	10.00	43.75	19.88	9.00	11.50
	700	Ext	45.00	18.00	5.50	10.00	46.00	19.00	9.00	13.00
	860	Ext	45.00	18.00	5.50	10.00	49.00	18.00	9.00	13.00
	1000	Ext	45.00	18.00	5.50	10.00	55.00	16.00	9.00	14.50
25	320/360	Ext	45.00	22.00	5.50	10.00	45.50	23.00	9.00	11.00
	560	Ext	45.00	22.00	5.50	10.00	43.75	24.00	9.00	11.50
	700	Ext	45.00	22.00	5.50	10.00	46.00	23.00	9.00	13.00
	860	Ext	45.00	22.00	5.50	10.00	49.00	22.00	9.00	13.00
	860	Ext	45.00	22.00	5.50	10.00	49.00	22.00	9.00	13.00
	1000	Ext	45.00	22.00	5.50	10.00	55.00	19.00	9.00	14.50
	1000	Ext	45.00	22.00	5.50	10.00	55.00	19.00	9.00	14.50
30	320/360	Int	50.00	22.00	5.50	10.00	45.50	27.75	9.00	13.00
	560	Int	50.00	22.00	5.50	10.00	43.75	29.00	9.00	13.50
	700	Int	51.00	22.00	5.50	10.00	46.00	27.75	9.00	13.00
	860	Int	51.00	22.00	5.50	10.00	49.00	25.75	9.00	13.00
	1000	Ext	51.00	22.00	5.50	10.00	55.00	23.00	9.00	17.00
35	320/360	Int	53.00	24.00	5.50	16.00	45.50	31.75	9.00	21.00
	560	Int	51.00	32.00	5.50	16.00	43.75	34.00	9.00	21.50
	700	Int	51.00	32.00	5.50	14.00	46.00	31.75	9.00	21.00
	860	Int	53.00	32.00	5.50	12.00	49.00	30.00	9.00	19.00
	1000	Ext	53.00	32.00	5.50	10.00	55.00	27.00	9.00	18.00
	1250	Ext	49.00	32.00	5.50	10.00	80.13	19.00	9.00	11.00
	1250	Ext	49.00	32.00	5.50	10.00	80.13	19.00	9.00	11.00
	1500	Ext	49.00	32.00	5.50	10.00	80.13	19.00	9.00	11.00
	1500	Ext	49.00	32.00	5.50	10.00	80.13	19.00	9.00	11.00
	1750	Ext	49.00	32.00	5.50	10.00	80.13	19.00	9.00	11.00
1750	Ext	49.00	32.00	5.50	10.00	80.13	19.00	9.00	11.00	

**Table 57. Gas heat drum and tube section dimensions (inches) (continued)**

Unit size	MBH	Vestibule type	Top Discharge				Bottom Discharge			
			A	B	G	V	A	B	G	V
40	560	Int	53.00	32.00	5.50	25.00	43.75	38.50	9.00	30.50
	700	Int	53.00	32.00	5.50	25.00	46.00	36.50	9.00	32.00
	860	Int	53.00	32.00	5.50	24.00	49.00	35.00	9.00	31.00
	1000	Ext	53.00	32.00	5.50	18.00	55.00	30.00	9.00	26.00
	1250	Ext	49.00	32.00	5.50	10.00	80.13	21.00	9.00	11.00
	1250	Ext	49.00	32.00	5.50	10.00	80.13	21.00	9.00	11.00
	1500	Ext	49.00	32.00	5.50	10.00	80.13	21.00	9.00	11.00
	1750	Ext	49.00	32.00	5.50	10.00	80.13	21.00	9.00	11.00
	1500	Ext	49.00	32.00	5.50	10.00	80.13	21.00	9.00	11.00
1750	Ext	49.00	32.00	5.50	10.00	80.13	21.00	9.00	11.00	
50	560	Int	53.00	34.00	5.50	22.00	43.75	44.00	9.00	27.50
	700	Int	58.00	36.00	5.50	30.00	46.00	42.00	9.00	37.00
	860	Int	58.00	36.00	5.50	31.00	49.00	40.00	9.00	38.00
	1000	Int	58.00	36.00	5.50	29.50	55.00	34.00	9.00	37.50
	1250	Ext	58.00	36.00	5.50	10.00	80.13	24.00	9.00	15.00
	1250	Ext	58.00	36.00	5.50	10.00	80.13	24.00	9.00	15.00
	1500	Ext	58.00	36.00	5.50	10.00	80.13	24.00	9.00	15.00
	1500	Ext	58.00	36.00	5.50	10.00	80.13	24.00	9.00	15.00
	1750	Ext	58.00	36.00	5.50	10.00	80.13	24.00	9.00	15.00
	1750	Ext	58.00	36.00	5.50	10.00	80.13	24.00	9.00	15.00
	2000	Ext	58.00	36.00	5.50	10.00	100.88	19.00	9.00	11.00
2000	Ext	58.00	36.00	5.50	10.00	100.88	19.00	9.00	11.00	
57	560	Int	53.00	39.00	5.50	29.00	43.75	44.75	9.00	36.50
	700	Int	60.00	36.00	5.50	28.00	46.00	48.00	9.00	37.00
	860	Int	60.00	36.00	5.50	31.00	49.00	45.00	9.00	38.00
	1000	Int	60.00	36.00	5.50	29.50	55.00	40.00	9.00	37.50
	1250	Ext	60.00	36.00	5.50	10.00	80.13	27.75	9.00	15.00
	1500	Ext	60.00	36.00	5.50	10.00	80.13	27.75	9.00	15.00
	1750	Ext	60.00	36.00	5.50	10.00	80.13	27.75	9.00	15.00
	2000	Ext	60.00	36.00	5.50	10.00	100.88	22.00	9.00	11.00
66	700	Int	60.00	40.00	5.50	32.00	46.00	51.00	9.00	41.00
	860	Int	64.00	40.00	5.50	32.00	49.00	52.00	9.00	42.00
	1000	Int	63.00	40.00	5.50	35.00	55.00	46.00	9.00	43.00
	1250	Int	63.00	40.00	5.50	11.00	80.13	31.75	9.00	16.00
	1500	Int	63.00	40.00	5.50	11.00	80.13	31.75	9.00	16.00
	1750	Int	63.00	40.00	5.50	11.00	80.13	31.75	9.00	16.00
	2000	Ext	63.00	40.00	5.50	13.00	100.88	25.00	9.00	18.00
	2400	Ext	63.00	40.00	5.50	10.00	114.50	22.00	9.00	11.00
80	860	Int	64.00	45.00	5.50	28.00	49.00	55.00	9.00	38.00
	1000	Int	70.00	41.00	5.50	29.00	55.00	55.00	9.00	39.00
	1250	Int	80.00	40.00	5.50	7.00	80.13	38.00	9.00	12.00
	1500	Int	80.00	40.00	5.50	7.00	80.13	38.00	9.00	12.00
	1750	Int	80.00	40.00	5.50	7.00	80.13	38.00	9.00	12.00
	2000	Ext	80.00	40.00	5.50	24.51	100.88	30.00	9.00	29.63
2400	Ext	80.00	40.00	5.50	14.63	114.50	27.00	9.00	19.75	



## Dimensions

**Table 57. Gas heat drum and tube section dimensions (inches) (continued)**

Unit size	MBH	Vestibule type	Top Discharge				Bottom Discharge			
			A	B	G	V	A	B	G	V
100	1000	Int	72.00	51.00	5.50	28.00	55.00	58.00	9.00	40.00
	1000	Int	72.00	51.00	5.50	28.00	55.00	58.00	9.00	40.00
	1250-1750	Int	90.00	44.00	5.50	31.00	80.13	48.00	9.00	39.00
	1250-1750	Int	90.00	44.00	5.50	31.00	80.13	48.00	9.00	39.00
	1250-1750	Int	90.00	44.00	5.50	31.00	80.13	48.00	9.00	39.00
	1250-1750	Int	90.00	44.00	5.50	31.00	80.13	48.00	9.00	39.00
	2000	Int	90.00	44.00	5.50	14.50	100.88	38.00	9.00	19.50
	2000	Int	90.00	44.00	5.50	14.50	100.88	38.00	9.00	19.50
	2000	Int	90.00	44.00	5.50	14.50	100.88	38.00	9.00	19.50
	2000	Int	90.00	44.00	5.50	14.50	100.88	38.00	9.00	19.50
	2400	Ext	90.00	44.00	5.50	9.62	114.50	34.00	9.00	14.63
	2400	Ext	90.00	44.00	5.50	9.62	114.50	34.00	9.00	14.63
	2400	Ext	90.00	44.00	5.50	9.62	114.50	34.00	9.00	14.63
	2400	Ext	90.00	44.00	5.50	9.62	114.50	34.00	9.00	14.63
120	1000	Int	72.00	61.00	5.50	45.00	55.00	67.50	9.00	57.00
	1000	Int	72.00	61.00	5.50	45.00	55.00	67.50	9.00	57.00
	1250-1750	Int	90.00	48.00	5.50	58.00	80.13	57.00	9.00	67.25
	1250-1750	Int	90.00	48.00	5.50	58.00	80.13	57.00	9.00	67.25
	1250-1750	Int	90.00	48.00	5.50	58.00	80.13	57.00	9.00	67.25
	1250-1750	Int	90.00	48.00	5.50	58.00	80.13	57.00	9.00	67.25
	1250-1750	Int	90.00	48.00	5.50	58.00	80.13	57.00	9.00	67.25
	2000	Int	105.00	48.00	5.50	42.00	100.88	46.00	9.00	47.00
	2000	Int	105.00	48.00	5.50	42.00	100.88	46.00	9.00	47.00
	2000	Int	105.00	48.00	5.50	42.00	100.88	46.00	9.00	47.00
	2000	Int	105.00	48.00	5.50	42.00	100.88	46.00	9.00	47.00
	2000	Int	105.00	48.00	5.50	42.00	100.88	46.00	9.00	47.00
	2400	Int	105.00	48.00	5.50	28.12	114.50	40.00	9.00	33.13
	2400	Int	105.00	48.00	5.50	28.12	114.50	40.00	9.00	33.13
2400	Int	105.00	48.00	5.50	28.12	114.50	40.00	9.00	33.13	
2400	Int	105.00	48.00	5.50	28.12	114.50	40.00	9.00	33.13	
2400	Int	105.00	48.00	5.50	28.12	114.50	40.00	9.00	33.13	

**Table 58. Gas heat drum and tube section dimensions (inches)**

Unit size	MBH	Vestibule type	Outward Door				Base <sup>2</sup>		Ship split		Outward door	
			Hinged Indoor <sup>3</sup>	Hinged Outdoor <sup>3</sup>	C	D2	E	E1	S <sup>1</sup>	L	F	D1
6	200	Ext	AL	AL	23.25	4.25	2.50	4.50	1.00	55.00	26.25	22.00
	300	Ext	AL	AL	23.25	4.25	2.50	4.50	1.00	69.00	28.25	35.28
8	200	Ext	AL	AL	25.75	4.25	2.50	4.50	1.00	55.00	26.25	22.00
	300	Ext	AL	AL	25.75	4.25	2.50	4.50	1.00	69.00	28.25	35.38
10	200	Ext	AL	AL	25.75	4.25	2.50	4.50	1.00	55.00	26.25	22.00
	320/360	Ext	AL	AL	25.75	4.25	2.50	4.50	1.00	67.00	28.25	28.00
12	200	Int	AL	AE	32.62	4.25	2.50	4.50	1.00	52.00	29.00	22.50
	320/360	Ext	AL	AL	29.50	4.25	2.50	4.50	1.00	65.00	28.25	27.88
14	200	Int	AL	AE	32.62	4.25	2.50	4.50	1.00	52.00	29.00	22.50
	320/360	Ext	AL	AL	29.50	4.25	2.50	4.50	1.00	61.00	28.25	27.88

**Table 58. Gas heat drum and tube section dimensions (inches) (continued)**

Unit size	MBH	Vestibule type	Outward Door				Base <sup>2</sup>		Ship split		Outward door	
			Hinged Indoor <sup>3</sup>	Hinged Outdoor <sup>3</sup>	C	D2	E	E1	S <sup>1</sup>	L	F	D1
17	200	Int	AL	AE	40.12	4.25	2.50	4.50	1.00	52.00	29.00	22.50
	320/360	Ext	AL	AL	37.00	4.25	2.50	4.50	1.00	61.00	28.25	27.88
	560	Ext	AL	AL	37.00	4.25	2.50	4.50	1.00	64.00	28.25	28.50
	700	Ext	AL	AL	37.00	4.25	2.50	4.50	1.00	73.00	30.25	34.25
21	200	Int	AL	AE	43.87	4.25	2.50	4.50	1.00	52.00	29.00	22.50
	320/360	Ext	AL	AL	40.75	4.25	2.50	4.50	1.00	61.00	28.25	27.88
	560	Ext	AL	AL	40.75	4.25	2.50	4.50	1.00	64.00	28.25	28.50
	700	Ext	AL	AL	40.75	4.25	2.50	4.50	1.00	73.00	30.25	34.25
	860	Ext	AL	AL	40.75	4.25	2.50	4.50	1.00	73.00	30.25	35.63
	1000	Ext	AL	AL	40.75	4.25	2.50	4.50	1.00	76.00	30.25	35.50
25	320/360	Ext	AL	AL	49.50	4.25	2.50	4.50	1.00	61.00	28.25	27.88
	560	Ext	AL	AL	49.50	4.25	2.50	4.50	1.00	64.00	28.25	28.50
	700	Ext	AL	AL	49.50	4.25	2.50	4.50	1.00	73.00	30.25	34.25
	860	Ext	AL	AL	49.50	4.25	2.50	4.50	1.00	73.00	30.25	35.63
	860	Ext	AL	AL	49.50	4.25	2.50	4.50	1.00	73.00	30.25	35.63
	1000	Ext	AL	AL	49.50	4.25	2.50	4.50	1.00	76.00	30.25	35.50
	1000	Ext	AL	AL	49.50	4.25	2.50	4.50	1.00	76.00	30.25	35.50
30	320/360	Int	AL	AE	52.62	4.25	2.50	4.50	1.00	61.00	29.00	27.88
	560	Int	AL	AE	52.62	4.25	2.50	4.50	1.00	61.00	29.00	28.50
	700	Int	AL	AE	52.62	4.25	2.50	4.50	1.00	67.00	31.00	34.25
	860	Int	AL	AE	52.62	4.25	2.50	4.50	1.00	71.00	31.00	36.63
	1000	Ext	AL	AL	49.50	4.25	2.50	4.50	1.00	75.00	30.25	35.50
35	320/360	Int	AL	AE	58.37	4.25	2.50	4.50	1.00	61.00	29.00	27.88
	560	Int	AL	AE	58.37	4.25	2.50	4.50	1.00	61.00	29.00	28.50
	700	Int	AL	AE	58.37	4.25	2.50	4.50	1.00	67.00	31.00	34.25
	860	Int	AL	AE	58.37	4.25	2.50	4.50	1.00	71.00	31.00	36.63
	1000	Ext	AL	AL	55.25	4.25	2.50	4.50	1.00	73.00	30.25	35.50
	1250	Ext	AL	AL	55.25	4.25	2.50	4.50	1.00	94.00	32.00	51.75
	1250	Ext	AL	AL	55.25	4.25	2.50	4.50	1.00	94.00	32.00	50.63
	1500	Ext	AL	AL	55.25	4.25	2.50	4.50	1.00	94.00	32.00	51.75
	1500	Ext	AL	AL	55.25	4.25	2.50	4.50	1.00	94.00	32.00	50.63
	1750	Ext	AL	AL	55.25	4.25	2.50	4.50	1.00	94.00	32.00	51.75
40	560	Int	AL	AE	58.37	4.25	2.50	4.50	1.00	61.00	29.00	28.50
	700	Int	AL	AE	58.37	4.25	2.50	4.50	1.00	67.00	31.00	34.25
	860	Int	AL	AE	58.37	4.25	2.50	4.50	1.00	71.00	31.00	36.63
	1000	Ext	AL	AL	55.25	4.25	2.50	4.50	1.00	73.00	30.25	35.50
	1250	Ext	AL	AL	55.25	4.25	2.50	4.50	1.00	91.00	32.00	51.75
	1250	Ext	AL	AL	55.25	4.25	2.50	4.50	1.00	91.00	32.00	50.63
	1500	Ext	AL	AL	55.25	4.25	2.50	4.50	1.00	91.00	32.00	51.75
	1750	Ext	AL	AL	55.25	4.25	2.50	4.50	1.00	91.00	32.00	50.63
	1500	Ext	AL	AL	55.25	4.25	2.50	4.50	1.00	91.00	32.00	51.75
	1750	Ext	AL	AL	55.25	4.25	2.50	4.50	1.00	91.00	32.00	50.63



## Dimensions

**Table 58. Gas heat drum and tube section dimensions (inches) (continued)**

Unit size	MBH	Vestibule type	Outward Door				Base <sup>2</sup>		Ship split		Outward door	
			Hinged Indoor <sup>3</sup>	Hinged Outdoor <sup>3</sup>	C	D2	E	E1	S <sup>1</sup>	L	F	D1
50	560	Int	AL	AL	66.87	4.25	2.50	4.50	1.00	61.00	29.00	28.50
	700	Int	AL	AL	66.87	4.25	2.50	4.50	1.00	67.00	31.00	34.25
	860	Int	AL	AL	66.87	4.25	2.50	4.50	1.00	71.00	31.00	36.63
	1000	Int	AL	AL	66.87	4.25	2.50	4.50	1.00	71.00	31.00	35.50
	1250	Ext	AL	AL	63.75	4.25	2.50	4.50	1.00	94.00	32.00	51.75
	1250	Ext	AL	AL	63.75	4.25	2.50	4.50	1.00	94.00	32.00	50.63
	1500	Ext	AL	AL	63.75	4.25	2.50	4.50	1.00	94.00	32.00	51.75
	1500	Ext	AL	AL	63.75	4.25	2.50	4.50	1.00	94.00	32.00	50.63
	1750	Ext	AL	AL	63.75	4.25	2.50	4.50	1.00	94.00	32.00	51.75
	1750	Ext	AL	AL	63.75	4.25	2.50	4.50	1.00	94.00	32.00	50.63
57	2000	Ext	AL	AL	63.75	4.25	2.50	4.50	1.00	100.00	32.00	53.13
	2000	Ext	AL	AL	63.75	4.25	2.50	4.50	1.00	100.00	32.00	52.00
	560	Int	AL	AL	76.62	4.25	2.50	4.50	1.00	61.00	29.00	28.50
	700	Int	AL	AL	76.62	4.25	2.50	4.50	1.00	67.00	31.00	34.25
	860	Int	AL	AL	76.62	4.25	2.50	4.50	1.00	71.00	31.00	36.63
	1000	Int	AL	AL	76.62	4.25	2.50	4.50	1.00	71.00	31.00	35.50
	1250	Ext	AL	AL	73.50	4.25	2.50	4.50	1.00	94.00	32.00	51.75
	1500	Ext	AL	AL	73.50	4.25	2.50	4.50	1.00	94.00	32.00	51.75
66	1750	Ext	AL	AL	73.50	4.25	2.50	4.50	1.00	94.00	32.00	51.75
	2000	Ext	AL	AL	73.50	4.25	2.50	4.50	1.00	100.00	32.00	53.13
	700	Int	AL	AL	58.63	7.75	6.00	8.00	1.00	67.00	32.75	33.25
	860	Int	AL	AL	58.63	7.75	6.00	8.00	1.00	71.00	32.75	35.75
	1000	Int	AL	AL	58.63	7.75	6.00	8.00	1.00	71.00	32.75	34.63
	1250	Int	AL	AL	58.63	7.75	6.00	8.00	1.00	94.00	32.75	47.75
	1500	Int	AL	AL	58.63	7.75	6.00	8.00	1.00	94.00	32.75	47.75
	1750	Int	AL	AL	58.63	7.75	6.00	8.00	1.00	94.00	32.75	47.75
80	2000	Ext	AL	AL	60.00	7.75	6.00	8.00	1.00	98.00	32.00	53.13
	2400	Ext	AL	AL	60.00	7.75	6.00	8.00	1.00	101.00	32.00	53.25
	860	Int	AL	AL	58.63	7.75	6.00	8.00	1.00	71.00	32.75	35.75
	1000	Int	AL	AL	58.63	7.75	6.00	8.00	1.00	71.00	32.75	34.63
	1250	Int	AL	AL	58.63	7.75	6.00	8.00	1.00	94.00	32.75	47.75
	1500	Int	AL	AL	58.63	7.75	6.00	8.00	1.00	94.00	32.75	47.75
	1750	Int	AL	AL	58.63	7.75	6.00	8.00	1.00	94.00	32.75	47.75
2000	Ext	AL	AL	60.00	7.75	6.00	8.00	1.00	101.00	32.00	53.13	
2400	Ext	AL	AL	60.00	7.75	6.00	8.00	1.00	99.00	32.00	53.25	



**Table 58. Gas heat drum and tube section dimensions (inches) (continued)**

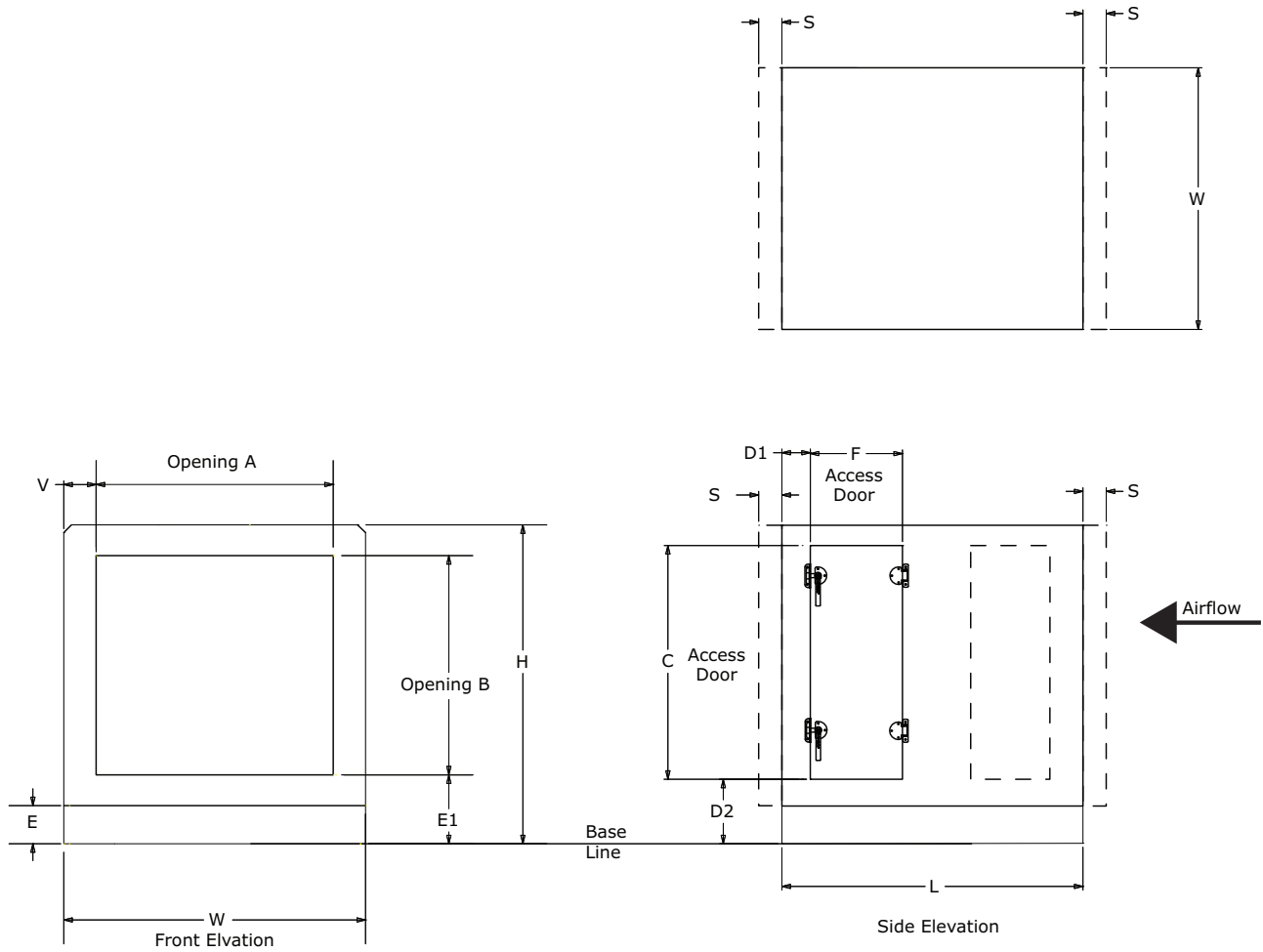
Unit size	MBH	Vestibule type	Outward Door				Base <sup>2</sup>		Ship split		Outward door	
			Hinged Indoor <sup>3</sup>	Hinged Outdoor <sup>3</sup>	C	D2	E	E1	S <sup>1</sup>	L	F	D1
100	1000	Int	AL	AL	58.63	7.75	6.00	8.00	1.00	71.00	32.75	36.13
	1000	Int	AL	AL	58.63	7.75	6.00	8.00	1.00	71.00	32.75	36.13
	1250-1750	Int	AL	AL	58.63	7.75	6.00	8.00	1.00	83.00	32.75	47.75
	1250-1750	Int	AL	AL	58.63	7.75	6.00	8.00	1.00	83.00	32.75	47.75
	1250-1750	Int	AL	AL	58.63	7.75	6.00	8.00	1.00	83.00	32.75	47.75
	1250-1750	Int	AL	AL	58.63	7.75	6.00	8.00	1.00	83.00	32.75	47.75
	2000	Int	AL	AL	58.63	7.75	6.00	8.00	1.00	89.00	32.75	49.13
	2000	Int	AL	AL	58.63	7.75	6.00	8.00	1.00	94.00	32.75	49.13
	2000	Int	AL	AL	58.63	7.75	6.00	8.00	1.00	98.00	32.75	49.13
	2000	Int	AL	AL	58.63	7.75	6.00	8.00	1.00	102.00	32.75	49.13
	2400	Ext	AL	AL	60.00	7.75	6.00	8.00	1.00	96.00	32.00	54.25
	2400	Ext	AL	AL	60.00	7.75	6.00	8.00	1.00	100.00	32.00	54.25
	2400	Ext	AL	AL	60.00	7.75	6.00	8.00	1.00	100.00	32.00	54.25
	2400	Ext	AL	AL	60.00	7.75	6.00	8.00	1.00	104.00	32.00	54.25
120	1000	Int	AL	AL	58.63	7.75	6.00	8.00	1.00	84.00	32.75	37.63
	1000	Int	AL	AL	58.63	7.75	6.00	8.00	1.00	84.00	32.75	37.63
	1250-1750	Int	AL	AL	58.63	7.75	6.00	8.00	1.00	91.00	32.75	47.75
	1250-1750	Int	AL	AL	58.63	7.75	6.00	8.00	1.00	91.00	32.75	47.75
	1250-1750	Int	AL	AL	58.63	7.75	6.00	8.00	1.00	89.00	32.75	47.75
	1250-1750	Int	AL	AL	58.63	7.75	6.00	8.00	1.00	89.00	32.75	47.75
	1250-1750	Int	AL	AL	58.63	7.75	6.00	8.00	1.00	89.00	32.75	47.75
	2000	Int	AL	AL	58.63	7.75	6.00	8.00	1.00	94.00	32.75	49.13
	2000	Int	AL	AL	58.63	7.75	6.00	8.00	1.00	94.00	32.75	49.13
	2000	Int	AL	AL	58.63	7.75	6.00	8.00	1.00	91.00	32.75	49.13
	2000	Int	AL	AL	58.63	7.75	6.00	8.00	1.00	91.00	32.75	49.13
	2000	Int	AL	AL	58.63	7.75	6.00	8.00	1.00	94.00	32.75	49.13
	2400	Int	AL	AL	58.63	7.75	6.00	8.00	1.00	91.00	32.75	49.25
	2400	Int	AL	AL	58.63	7.75	6.00	8.00	1.00	91.00	32.75	49.25
2400	Int	AL	AL	58.63	7.75	6.00	8.00	1.00	100.00	32.75	49.25	
2400	Int	AL	AL	58.63	7.75	6.00	8.00	1.00	100.00	32.75	49.25	
2400	Int	AL	AL	58.63	7.75	6.00	8.00	1.00	104.00	32.75	49.25	

**Notes:**

1. Shipping split flange dimension is for shipping planning purposes only and does not add to installed overall unit length.
2. Base line includes the height for standard 2.5-inch integral base frame on unit sizes 3-57 and 6-inch integral base frame on unit sizes 66-120.
3. Hinged on air-entering (AE) side or air-leaving (AL) side.

## Gas Heat - Inshot Tubular

Figure 56. Gas heat - inshot tubular dimensions (inches)



**Table 59. Gas heat inshot tubular dimensions (inches)**

Unit Size	MBH	Vestibule Type	W	H	L	Outward Door					Base E
						Hinged	C	D2	F	D1	
4	100	INT	40	22.5	41.1	AE	22.3	4.25	13.9	2.07	2.5
	250	INT	40	22.5	56.6	AE	22.3	4.25	20.4	2.07	2.5
6	100	INT	40	28.8	41.1	AE	28.5	4.25	13.9	2.07	2.5
	250	INT	40	28.8	56.6	AE	28.5	4.25	20.4	2.07	2.5
	400	INT	40	28.8	74.1	AE	28.5	4.25	30.9	2.07	2.5
8	250	INT	46.5	31.3	56.6	AE	31	4.25	22.4	2.07	2.5
	400	INT	46.5	31.3	74.1	AE	31	4.25	30.9	2.07	2.5
	500	INT	46.5	31.3	84.1	AE	31	4.25	30.9	2.07	2.5
10	250	INT	57.5	31.3	56.6	AE	31	4.25	22.4	2.07	2.5
	400	INT	57.5	31.3	74.1	AE	31	4.25	30.9	2.07	2.5
	500	INT	57.5	31.3	84.1	AE	31	4.25	30.9	2.07	2.5
12	250	INT	62.5	35	44.3	AE	34.8	4.25	13.9	2.07	2.5
	400	INT	62.5	35	57.3	AE	34.8	4.25	22.4	2.07	2.5
	600	INT	62.5	35	67.1	AE	34.8	4.25	28.9	2.07	2.5
14	250	INT	68	35	44.4	AE	34.8	4.25	13.9	2.07	2.5
	400	INT	68	35	57.4	AE	34.8	4.25	22.4	2.07	2.5
	600	INT	68	35	67.1	AE	34.8	4.25	28.9	2.07	2.5
17	250	INT	68	42.5	44.4	AE	42.3	4.25	13.9	2.07	2.5
	400	INT	68	42.5	57.4	AE	42.3	4.25	22.4	2.07	2.5
	600	INT	68	42.5	67.1	AE	42.3	4.25	28.9	2.07	2.5
21	450	INT	76	46.3	68.7	AE	46	4.25	25.4	2.07	2.5
	800	INT	76	46.3	66.0	AE	46	4.25	20.4	2.07	2.5
	1200	INT	76	46.3	81.0	AE	46	4.25	25.4	2.07	2.5
25	450	INT	76	55	68.7	AE	54.8	4.25	25.4	2.07	2.5
	800	INT	76	55	66.0	AE	54.8	4.25	20.4	2.07	2.5
	1200	INT	76	55	81.0	AE	54.8	4.25	25.4	2.07	2.5
30	450	INT	89.5	55	68.7	AE	54.8	4.25	25.4	2.07	2.5
	800	INT	89.5	55	66.0	AE	54.8	4.25	20.4	2.07	2.5
	1200	INT	89.5	55	81.0	AE	54.8	4.25	25.4	2.07	2.5

**Table 60. Gas heat inshot tubular dimensions (inches)**

Unit Size	MBH	Vestibule Type	Full Face Opening				Direct Discharge			
			A	B	E1	V	A	B	E1	V
4	100	INT	40	22.5	4.5	2	28.0	19.3	6.5	3.08
	250	INT	40	22.5	4.5	2	28.0	19.3	6.5	3.08
6	100	INT	40	28.8	4.5	2	28.0	19.3	6.5	3.08
	250	INT	40	28.8	4.5	2	28.0	19.3	6.5	3.08
	400	INT	40	28.8	4.5	2	28.0	19.3	6.5	3.08
8	250	INT	46.5	31.3	4.5	2	28.0	19.3	6.5	4.08
	400	INT	46.5	31.3	4.5	2	28.0	19.3	6.5	4.08
	500	INT	46.5	31.3	4.5	2	28.0	19.3	6.5	4.08

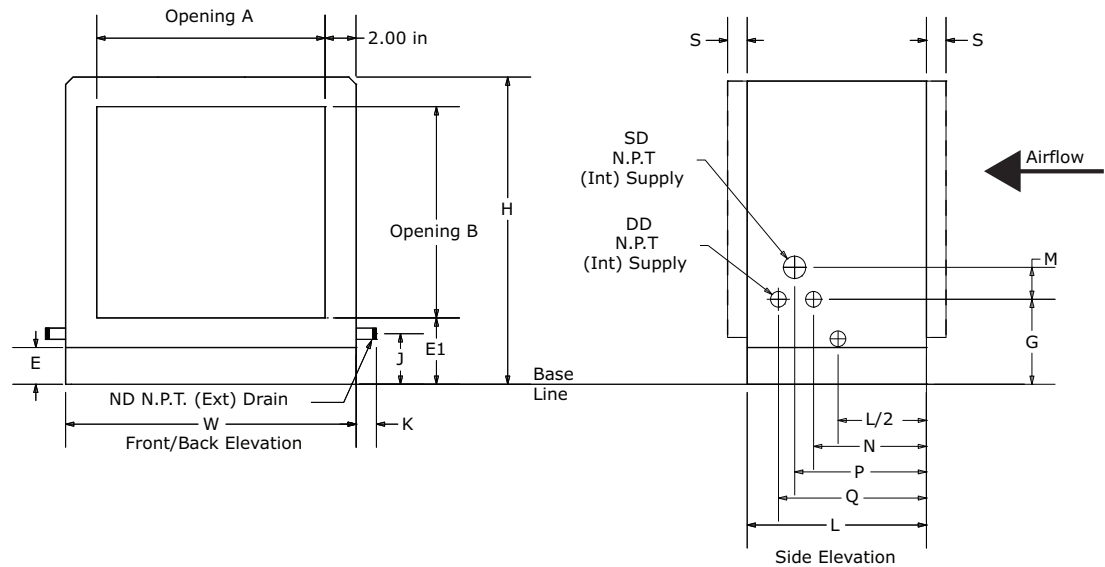


## Dimensions

**Table 60. Gas heat inshot tubular dimensions (inches) (continued)**

Unit Size	MBH	Vestibule Type	Full Face Opening				Direct Discharge			
			A	B	E1	V	A	B	E1	V
10	250	INT	57.5	31.3	4.5	2	28.0	19.3	6.5	4.08
	400	INT	57.5	31.3	4.5	2	28.0	19.3	6.5	4.08
	500	INT	57.5	31.3	4.5	2	28.0	19.3	6.5	4.08
12	250	INT	62.5	35	4.5	2	45.4	26.0	6.5	4.08
	400	INT	62.5	35	4.5	2	45.4	26.0	6.5	4.08
	600	INT	62.5	35	4.5	2	45.4	26.0	6.5	4.08
14	250	INT	68	35	4.5	2	45.4	26.0	6.5	4.08
	400	INT	68	35	4.5	2	45.4	26.0	6.5	4.08
	600	INT	68	35	4.5	2	45.4	26.0	6.5	4.08
17	250	INT	68	42.5	4.5	2	45.4	26.0	6.5	4.08
	400	INT	68	42.5	4.5	2	45.4	26.0	6.5	4.08
	600	INT	68	42.5	4.5	2	45.4	26.0	6.5	4.08
21	450	INT	76	46.3	4.5	2	61.4	16.7	6.5	2.98
	800	INT	76	46.3	4.5	2	61.4	29.4	6.5	2.98
	1200	INT	76	46.3	4.5	2	61.4	29.4	6.5	2.98
25	450	INT	76	55	4.5	2	61.4	16.7	6.5	2.98
	800	INT	76	55	4.5	2	61.4	29.4	6.5	2.98
	1200	INT	76	55	4.5	2	61.4	29.4	6.5	2.98
30	450	INT	89.5	55	4.5	2	61.4	16.7	6.5	4.08
	800	INT	89.5	55	4.5	2	61.4	29.4	6.5	4.08
	1200	INT	89.5	55	4.5	2	61.4	29.4	6.5	4.08

# Humidifier

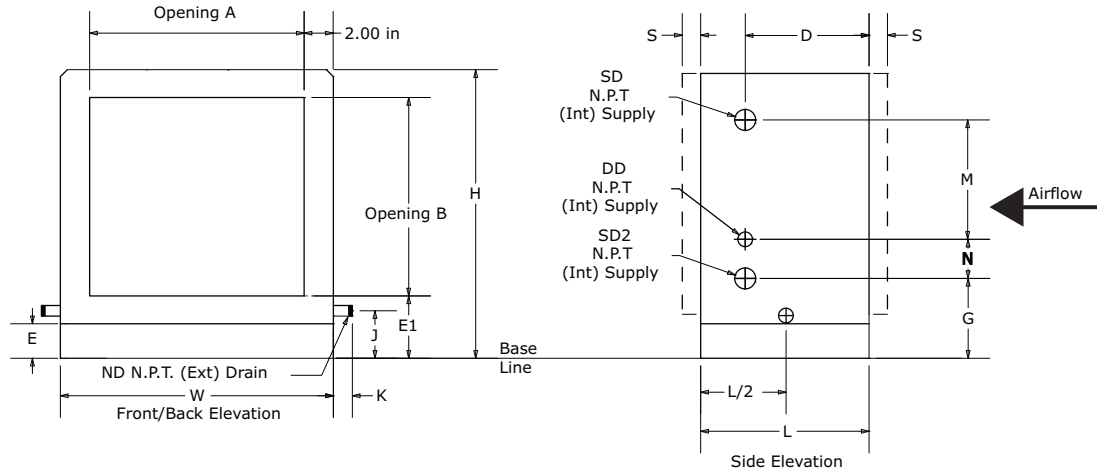
**Figure 57. Atmospheric steam humidifier**

**Table 61. Humidifier - atmospheric steam - dimensions (inches)**

Unit size	Front/back opening			Base <sup>2</sup>										Pipe diameter				
	W	H	L	A	B	E	E1	G	J	K	M	N	P	Q	SD	DD	ND	S <sup>1</sup>
3	31.50	29.00	14.00	27.50	22.50	2.50	4.50	7.18	3.38	2.63	4.76	5.29	8.27	n/a	2.00	1.00	1.00	1.00
4	44.00	29.00	14.00	40.00	22.50	2.50	4.50	7.18	3.38	2.63	4.76	5.29	8.27	n/a	2.00	1.00	1.00	1.00
6	44.00	35.25	14.00	40.00	28.75	2.50	4.50	7.18	3.38	2.63	4.76	5.29	8.27	n/a	2.00	1.00	1.00	1.00
8	50.50	37.75	14.00	46.50	31.25	2.50	4.50	7.18	3.38	2.63	4.76	5.29	8.27	n/a	2.00	1.00	1.00	1.00
10	61.50	37.75	14.00	57.50	31.25	2.50	4.50	7.18	3.38	2.63	4.76	5.29	8.27	n/a	2.00	1.00	1.00	1.00
12	66.50	41.50	14.00	62.50	35.00	2.50	4.50	7.18	3.38	2.63	4.76	5.29	8.27	n/a	2.00	1.00	1.00	1.00
14	72.00	41.50	14.00	68.00	35.00	2.50	4.50	7.18	3.38	2.63	4.76	5.29	8.27	n/a	2.00	1.00	1.00	1.00
17	72.00	49.00	14.00	68.00	42.50	2.50	4.50	6.93	3.38	2.63	4.76	5.29	8.27	n/a	4.00	1.00	1.00	1.00
21	80.00	52.75	14.00	76.00	46.25	2.50	4.50	6.93	3.38	2.63	4.76	5.29	8.27	n/a	4.00	1.00	1.00	1.00
25	80.00	61.50	14.00	76.00	55.00	2.50	4.50	6.93	3.38	2.63	4.76	5.29	8.27	n/a	4.00	1.00	1.00	1.00
30	93.50	61.50	19.00	89.50	55.00	2.50	4.50	7.07	3.38	2.63	4.76	7.79	10.77	13.75	4.00	1.00	1.00	1.00
35	100.00	67.25	19.00	96.00	60.75	2.50	4.50	7.07	3.38	3.63	4.76	7.79	10.77	13.75	4.00	1.00	1.25	1.00
40	112.50	67.25	19.00	108.50	60.75	2.50	4.50	7.07	3.38	3.63	4.76	7.79	10.77	13.75	4.00	1.00	1.25	1.00
50	125.50	75.75	19.00	121.50	69.25	2.50	4.50	7.07	3.38	3.63	4.76	7.79	10.77	13.75	4.00	1.00	1.25	1.00
57	125.50	85.50	19.00	121.50	79.00	2.50	4.50	7.07	3.38	3.63	4.76	7.79	10.77	13.75	4.00	1.00	1.25	1.00
66	140.50	92.50	19.00	136.50	82.50	6.00	8.00	10.57	6.13	3.63	4.76	7.79	10.77	13.75	4.00	1.00	1.50	1.00
80	140.50	107.50	19.00	136.50	97.50	6.00	8.00	10.57	6.13	3.63	4.76	7.79	10.77	13.75	4.00	1.00	1.50	1.00
100	154.50	119.75	19.00	150.50	109.75	6.00	8.00	10.57	6.13	3.63	4.76	7.79	10.77	13.75	4.00	1.00	1.50	1.00
120	182.00	119.75	19.00	178.00	109.75	6.00	8.00	10.57	6.13	3.63	4.76	7.79	10.77	13.75	4.00	1.00	1.50	1.00

**Notes:**

- Shipping split flange dimension is for shipping planning purposes only and does not add to installed overall unit length.
- Base line includes the height for standard 2.5-inch integral base frame on unit sizes 3-57 and 6-inch integral base frame on unit sizes 66-120.

**Figure 58. Direct-steam humidifier**

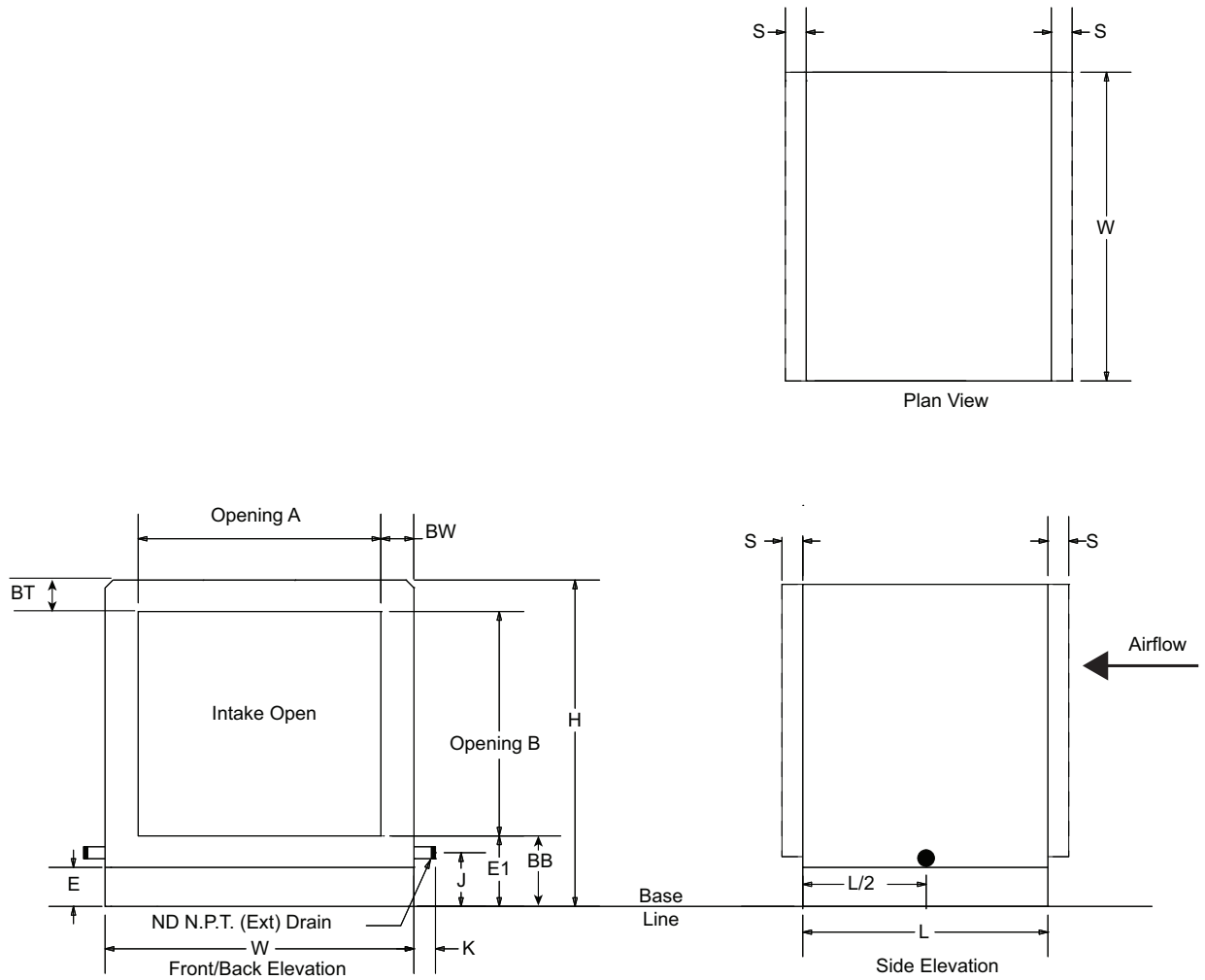


**Table 62. Humidifier - direct steam - dimensions (inches)**

Unit size	Front/back opening			Base				Pipe diameter					S					
	W	H	L	A	B	D	E	E1	G	J	K	M		N	SD	SD2	DD	ND
3	31.50	29.00	14.00	27.50	22.50	8.27	2.50	4.50	7.90	3.38	2.63	10.04	5.66	2.00	2.00	1.00	1.00	1.00
4	44.00	29.00	14.00	40.00	22.50	8.27	2.50	4.50	7.90	3.38	2.63	10.04	5.66	2.00	2.00	1.00	1.00	1.00
6	44.00	35.25	14.00	40.00	28.75	8.27	2.50	4.50	8.07	3.38	2.63	15.94	5.66	2.00	2.00	1.00	1.00	1.00
8	50.50	37.75	14.00	46.50	31.25	8.27	2.50	4.50	9.32	3.38	2.63	15.94	5.66	2.00	2.00	1.00	1.00	1.00
10	61.50	37.75	14.00	57.50	31.25	8.27	2.50	4.50	9.32	3.38	2.63	15.94	5.66	2.00	2.00	1.00	1.00	1.00
12	66.50	41.50	14.00	62.50	35.00	8.27	2.50	4.50	8.24	3.38	2.63	21.85	5.66	2.00	2.00	1.00	1.00	1.00
14	72.00	41.50	14.00	68.00	35.00	8.27	2.50	4.50	8.24	3.38	2.63	21.85	5.66	2.00	2.00	1.00	1.00	1.00
17	72.00	49.00	14.00	68.00	42.50	8.27	2.50	4.50	9.04	3.38	2.63	27.76	5.66	2.00	2.00	1.00	1.00	1.00
21	80.00	52.75	14.00	76.00	46.25	8.27	2.50	4.50	10.92	3.38	2.63	27.76	5.66	2.00	2.00	1.00	1.00	1.00
25	80.00	61.50	14.00	76.00	55.00	8.27	2.50	4.50	12.34	3.38	2.63	33.66	5.66	2.00	2.00	1.00	1.00	1.00
30	93.50	61.50	14.00	89.50	55.00	8.27	2.50	4.50	12.34	3.38	2.63	33.66	5.66	2.00	2.00	1.00	1.00	1.00
35	100.00	67.25	14.00	96.00	60.75	8.27	2.50	4.50	12.26	3.38	3.63	39.57	5.66	2.00	2.00	1.00	1.25	1.00
40	112.50	67.25	14.00	108.50	60.75	8.27	2.50	4.50	12.26	3.38	3.63	39.57	5.66	2.00	2.00	1.00	1.25	1.00
50	125.50	75.75	14.00	121.50	69.25	8.27	2.50	4.50	10.60	3.38	3.63	51.38	5.66	2.00	2.00	1.00	1.25	1.00
57	125.50	85.50	14.00	121.50	79.00	8.27	2.50	4.50	9.57	3.38	3.63	63.19	5.66	2.00	2.00	1.00	1.25	1.00
66	140.50	92.50	15.00	136.50	82.50	8.77	6.00	8.00	14.82	6.13	3.63	63.19	5.66	2.00	2.00	1.00	1.50	1.00
80	140.50	107.50	15.00	136.50	97.50	8.77	6.00	8.00	19.37	6.13	3.63	69.10	5.66	2.00	2.00	1.00	1.50	1.00
100	154.50	119.75	15.00	150.50	109.75	8.77	6.00	8.00	25.50	6.13	3.63	69.10	5.66	2.00	2.00	1.00	1.50	1.00
120	182.00	119.75	15.00	178.00	109.75	8.77	6.00	8.00	25.50	6.13	3.63	69.10	5.66	2.00	2.00	1.00	1.50	1.00

# Intake Section

Figure 59. Intake section





## Dimensions

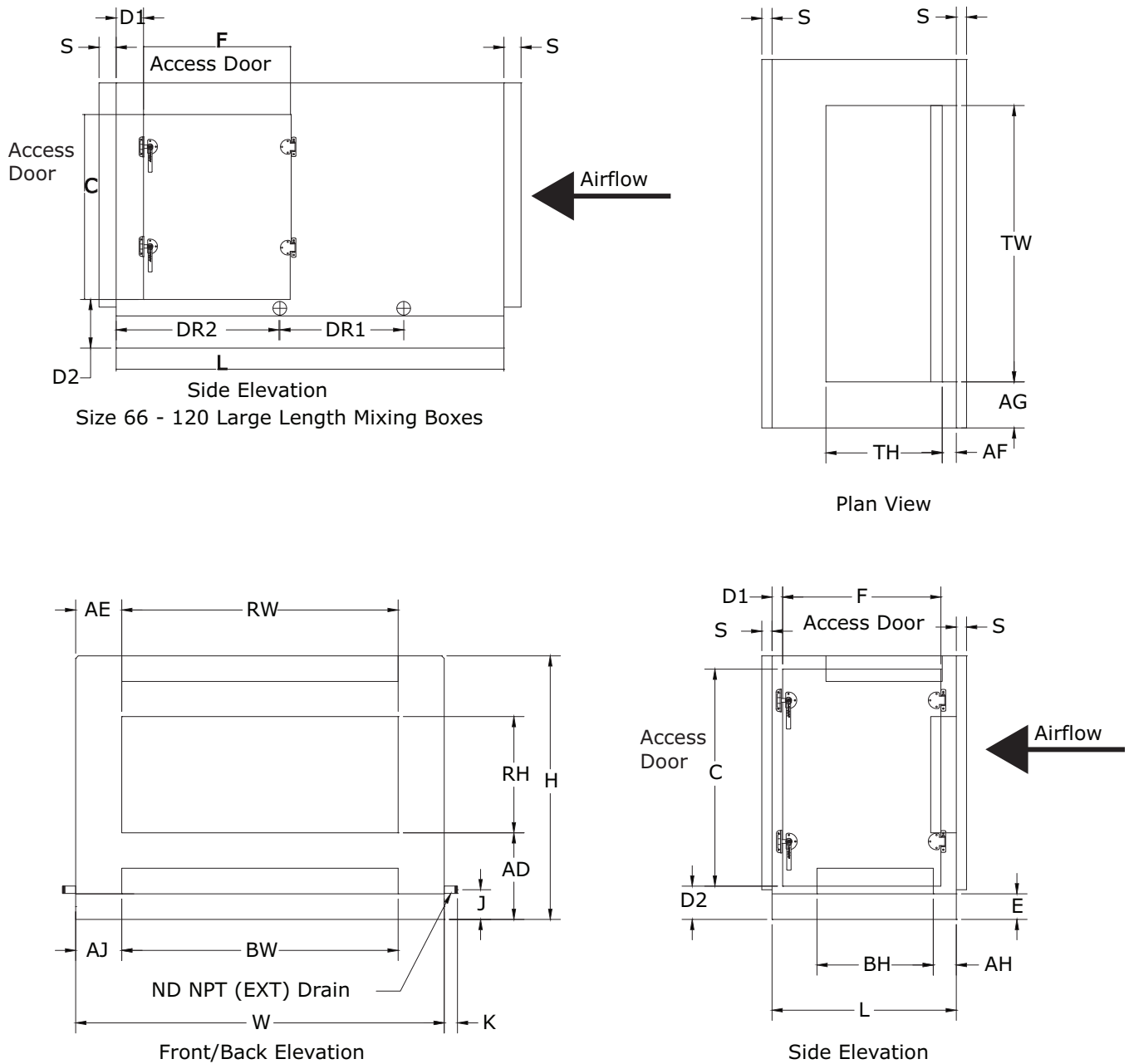
**Table 63. Intake section dimensions (inches)**

Unit Size	Std		XS		Front/Back Opening					Base	
	W	H	L	L	A	B	BW	BT	BB	E	E1
3	31.50	29.00	10.00	2.00	20.50	20.25	5.50	3.13	5.63	2.50	4.50
4	44.00	29.00	10.00	2.00	33.00	20.25	5.50	3.13	5.63	2.50	4.50
6	44.00	35.25	10.00	2.00	33.00	26.50	5.50	3.13	5.63	2.50	4.50
8	50.50	37.75	10.00	2.00	39.50	29.00	5.50	3.13	5.63	2.50	4.50
10	61.50	37.75	10.00	2.00	50.50	29.00	5.50	3.13	5.63	2.50	4.50
12	66.50	41.50	10.00	2.00	55.50	32.75	5.50	3.13	5.63	2.50	4.50
14	72.00	41.50	10.00	2.00	61.00	32.75	5.50	3.13	5.63	2.50	4.50
17	72.00	49.00	10.00	2.00	61.00	40.25	5.50	3.13	5.63	2.50	4.50
21	80.00	52.75	10.00	2.00	69.00	44.00	5.50	3.13	5.63	2.50	4.50
25	80.00	61.50	10.00	2.00	69.00	52.75	5.50	3.13	5.63	2.50	4.50
30	93.50	61.50	10.00	2.00	82.50	52.75	5.50	3.13	5.63	2.50	4.50
35	100.00	67.25	10.00	2.00	80.00	49.75	10.00	7.50	10.00	2.50	4.50
40	112.50	67.25	10.00	2.00	92.50	49.75	10.00	7.50	10.00	2.50	4.50
50	125.50	75.75	10.00	2.00	105.50	58.25	10.00	7.50	10.00	2.50	4.50
57	125.50	85.50	10.00	2.00	105.50	68.00	10.00	7.50	10.00	2.50	4.50
66	140.50	92.50	10.00	2.00	120.50	71.50	10.00	7.50	13.50	6.00	8.00
80	140.50	107.50	10.00	2.00	120.50	86.50	10.00	7.50	13.50	6.00	8.00
100	154.50	119.75	10.00	2.00	134.50	98.75	10.00	7.50	13.50	6.00	8.00
120	182.00	119.75	10.00	2.00	162.00	98.75	10.00	7.50	13.50	6.00	8.00
Unit Size	Std		XS		Std 10-in. Drain Pan		XS - 2-in. Drain Pan		Shipping Split		
	W	H	L	L	J	K	J	K	NPT	S	
3	31.50	29.00	10.00	2.00	3.38	2.63	n/a	n/a	1.00	1.00	
4	44.00	29.00	10.00	2.00	3.38	2.63	n/a	n/a	1.00	1.00	
6	44.00	35.25	10.00	2.00	3.38	2.63	n/a	n/a	1.00	1.00	
8	50.50	37.75	10.00	2.00	3.38	2.63	n/a	n/a	1.00	1.00	
10	61.50	37.75	10.00	2.00	3.38	2.63	n/a	n/a	1.00	1.00	
12	66.50	41.50	10.00	2.00	3.38	2.63	n/a	n/a	1.00	1.00	
14	72.00	41.50	10.00	2.00	3.38	2.63	n/a	n/a	1.00	1.00	
17	72.00	49.00	10.00	2.00	3.38	2.63	n/a	n/a	1.00	1.00	
21	80.00	52.75	10.00	2.00	3.38	2.63	n/a	n/a	1.00	1.00	
25	80.00	61.50	10.00	2.00	3.38	2.63	n/a	n/a	1.00	1.00	
30	93.50	61.50	10.00	2.00	3.38	2.63	n/a	n/a	1.00	1.00	
35	100.00	67.25	10.00	2.00	3.75	3.63	n/a	n/a	1.25	1.00	
40	112.50	67.25	10.00	2.00	3.75	3.63	n/a	n/a	1.25	1.00	
50	125.50	75.75	10.00	2.00	3.75	3.63	n/a	n/a	1.25	1.00	
57	125.50	85.50	10.00	2.00	3.75	3.63	n/a	n/a	1.25	1.00	
66	140.50	92.50	10.00	2.00	n/a	n/a	n/a	n/a	1.50	1.00	
80	140.50	107.50	10.00	2.00	n/a	n/a	n/a	n/a	1.50	1.00	
100	154.50	119.75	10.00	2.00	n/a	n/a	n/a	n/a	1.50	1.00	
120	182.00	119.75	10.00	2.00	n/a	n/a	n/a	n/a	1.50	1.00	



# Mixing Box

Figure 60. Mixing box





## Dimensions

**Table 64. Mixing box door dimensions (inches)**

Unit Size	W	L	H	J	ND	Door without filters			Door with filters			D2	E
						C	F	D1	C	F	D1		
3	31.50	34.00	29.00	3.38	1.00	22.25	18.75	7.63	22.25	29.00	2.13	4.25	2.50
4	44.00	34.00	29.00	3.38	1.00	22.25	18.75	7.63	22.25	29.00	2.13	4.25	2.50
6	44.00	34.00	35.25	3.38	1.00	28.50	18.75	7.63	28.50	29.00	2.13	4.25	2.50
8	50.50	36.00	37.75	3.38	1.00	31.00	18.75	8.63	31.00	31.00	2.13	4.25	2.50
10	61.50	36.00	37.75	3.38	1.00	31.00	18.75	8.63	31.00	31.00	2.13	4.25	2.50
12	66.50	36.00	41.50	3.38	1.00	34.75	18.75	8.63	34.75	31.00	2.13	4.25	2.50
14	72.00	36.00	41.50	3.38	1.00	34.75	18.75	8.63	34.75	31.00	2.13	4.25	2.50
17	72.00	36.00	49.00	3.38	1.00	42.25	20.38	7.88	42.25	31.00	2.13	4.25	2.50
21	80.00	34.00	52.75	3.38	1.00	46.00	18.75	7.63	46.00	29.00	2.13	4.25	2.50
25	80.00	46.00	61.50	3.38	1.00	54.75	20.38	12.88	54.75	31.00	2.13	4.25	2.50
30	93.50	46.00	61.50	3.38	1.00	54.75	20.38	12.88	54.75	31.00	2.13	4.25	2.50
35	100.00	48.00	67.25	3.25	1.25	60.50	20.38	13.88	60.50	20.38	2.13	4.13	2.50
40	112.50	48.00	67.25	3.25	1.25	60.50	20.38	13.88	60.50	20.38	2.13	4.13	2.50
50	125.50	48.00	75.75	3.25	1.25	69.00	20.38	13.88	69.00	23.38	2.13	4.13	2.50
57	125.50	48.00	85.50	3.25	1.25	60.50	20.38	13.88	78.75	23.38	2.13	4.13	2.50
66	140.50	49.00	92.50	6.13	1.50	60.50	20.38	14.38	82.25	23.38	2.13	7.63	6.00
80	140.50	54.00	107.50	6.13	1.50	60.50	20.38	16.88	97.25	23.38	2.13	7.63	6.00
100	154.50	60.00	119.75	6.13	1.50	60.50	20.38	19.88	109.50	23.38	2.13	7.63	6.00
120	182.00	60.00	119.75	6.13	1.50	60.50	20.38	19.88	109.50	23.38	2.13	7.63	6.00

**Table 65. Mixing box without dampers**

Unit Size	W	L	H	All Openings Without Dampers											
				TH	TW	BH	BW	RH	RW	AD	AE	AF	AG	AH	AJ
3	31.50	34.00	29.00	14.50	13.75	12.00	11.50	14.50	13.75	9.50	8.88	3.75	8.88	4.38	10.00
4	44.00	34.00	29.00	14.50	19.75	12.00	17.50	14.50	19.75	9.50	12.13	3.75	12.13	4.38	13.25
6	44.00	34.00	35.25	14.50	25.75	12.00	23.50	14.50	25.75	11.75	9.13	3.75	9.13	4.38	10.25
8	50.50	36.00	37.75	14.50	34.75	12.00	32.50	14.50	34.75	13.00	7.88	3.75	7.88	4.38	9.00
10	61.50	36.00	37.75	14.50	43.25	12.00	41.00	14.50	43.25	13.00	9.13	3.75	9.13	4.38	10.25
12	66.50	36.00	41.50	14.50	53.00	12.00	50.75	14.50	53.00	14.88	6.75	3.75	6.75	4.38	7.88
14	72.00	36.00	41.50	20.25	41.75	17.75	39.50	20.25	41.75	12.00	15.13	3.75	15.13	4.38	16.25
17	72.00	36.00	49.00	20.25	51.50	17.75	49.25	20.25	51.50	15.75	10.25	3.75	10.25	4.38	11.38
21	80.00	34.00	52.75	20.25	63.50	17.75	61.25	20.25	63.50	17.63	8.25	3.75	8.25	4.38	9.38
25	80.00	46.00	61.50	26.00	59.00	23.50	56.75	26.00	59.00	19.13	10.50	3.75	10.50	4.38	11.63
30	93.50	46.00	61.50	26.00	68.50	23.50	66.25	26.00	68.50	19.13	12.50	3.75	12.50	4.38	13.63
35	100.00	48.00	67.25	31.75	66.50	28.00	60.00	31.75	66.50	18.88	16.75	7.75	16.75	5.75	20.00
40	112.50	48.00	67.25	26.00	92.50	28.00	69.00	26.00	92.50	21.75	10.00	7.75	10.00	5.75	21.75
50	125.50	48.00	75.75	26.00	105.50	30.00	80.00	26.00	105.50	26.00	10.00	7.75	10.00	5.75	22.75
57	125.50	48.00	85.50	31.75	105.50	32.00	85.00	31.75	105.50	28.00	10.00	7.75	10.00	5.75	20.25
66	140.50	49.00	92.50	31.75	120.50	33.00	89.00	31.75	120.50	33.25	10.00	7.75	10.00	6.88	25.75
80	140.50	54.00	107.50	37.50	120.50	38.00	89.00	37.50	120.50	37.88	10.00	7.75	10.00	6.88	25.75
100	154.50	60.00	119.75	43.25	134.50	42.00	103.00	43.25	134.50	41.13	10.00	7.75	10.00	6.88	25.75
120	182.00	60.00	119.75	43.25	161.75	42.00	122.00	43.25	161.75	41.13	10.13	7.75	10.13	6.88	30.00

**Table 66. Mixing box with airfoil damper dimensions (inches)**

Unit Size	Front/Back/Top/Bottom Opening With Airfoil Dampers														
	W	L	H	TH	TW	BH	BW	RH	RW	AD	AE	AF	AG	AH	AJ
3	31.50	34.00	29.00	17.00	16.25	12.00	11.50	17.00	16.25	8.25	7.63	2.50	7.63	4.38	10.00
4	44.00	34.00	29.00	17.00	22.25	12.00	17.50	17.00	22.25	8.25	10.88	2.50	10.88	4.38	13.25
6	44.00	34.00	35.25	17.00	28.25	12.00	23.50	17.00	28.25	10.50	7.88	2.50	7.88	4.38	10.25
8	50.50	36.00	37.75	17.00	37.25	12.00	32.50	17.00	37.25	11.75	6.63	2.50	6.63	4.38	9.00
10	61.50	36.00	37.75	17.00	45.75	12.00	41.00	17.00	45.75	11.75	7.88	2.50	7.88	4.38	10.25
12	66.50	36.00	41.50	17.00	55.50	12.00	50.75	17.00	55.50	13.63	5.50	2.50	5.50	4.38	7.88
14	72.00	36.00	41.50	22.75	44.25	17.75	39.50	22.75	44.25	10.75	13.88	2.50	13.88	4.38	16.25
17	72.00	36.00	49.00	22.75	54.00	17.75	49.25	22.75	54.00	14.50	9.00	2.50	9.00	4.38	11.38
21	80.00	34.00	52.75	22.75	66.00	17.75	61.25	22.75	66.00	16.38	7.00	2.50	7.00	4.38	9.38
25	80.00	46.00	61.50	28.50	61.50	23.50	56.75	28.50	61.50	17.88	9.25	2.50	9.25	4.38	11.63
30	93.50	46.00	61.50	28.50	71.00	23.50	66.25	28.50	71.00	17.88	11.25	2.50	11.25	4.38	13.63
35	100.00	48.00	67.25	34.25	69.00	31.75	66.50	34.25	69.00	17.63	15.50	6.50	15.50	8.25	16.75
40	112.50	48.00	67.25	28.50	95.00	26.00	92.50	28.50	95.00	20.50	8.75	6.50	8.75	8.25	10.00
50	125.50	48.00	75.75	28.50	108.00	26.00	105.50	28.50	108.00	24.75	8.75	6.50	8.75	8.25	10.00
57	125.50	48.00	85.50	34.25	108.00	31.75	105.50	34.25	108.00	26.75	8.75	6.50	8.75	8.25	10.00
66	140.50	49.00	92.50	34.25	123.00	31.75	120.50	34.25	123.00	32.00	8.75	6.50	8.75	8.25	10.00
80	140.50	54.00	107.50	40.00	123.00	37.50	120.50	40.00	123.00	36.63	8.75	6.50	8.75	8.25	10.00
100	154.50	60.00	119.75	45.75	137.00	43.25	134.50	45.75	137.00	39.88	8.75	6.50	8.75	8.25	10.00
120	182.00	60.00	119.75	45.75	164.25	43.25	161.75	45.75	164.25	39.88	8.88	6.50	8.88	8.25	10.13

**Table 67. Mixing box with Traq damper dimensions (inches)**

Unit Size	Front/Back/Top Traq										
	W	L	H	TH	TW	RH	RW	AD	AE	AF	AG
3	31.50	34.00	29.00	16.13	16.13	16.13	16.13	5.50	9.75	8.63	9.75
4 top std/back low-flow	44.00	41.00	29.00	17.13	32.88	17.63	33.63	5.50	8.00	10.50	5.63
4 top std/back std	44.00	34.00	29.00	17.13	32.88	16.13	33.50	4.75	7.13	10.50	5.63
4 top low-flow/back std	44.00	34.00	29.00	18.88	32.63	16.13	33.50	4.75	7.13	7.00	5.88
6 top std/back low-flow	44.00	34.00	35.25	17.13	32.88	18.13	32.88	8.50	8.50	10.50	5.63
6 top low-flow/back std	44.00	34.00	35.25	19.38	31.88	16.13	33.88	5.00	6.25	6.50	5.88
6 top std/back std	44.00	34.00	35.25	17.13	32.88	16.13	33.88	5.00	6.25	10.50	5.63
8	50.50	44.00	37.75	27.38	39.38	28.63	37.13	4.88	6.50	10.50	5.63
10	61.50	36.00	37.75	16.13	52.13	16.13	54.13	9.00	4.50	12.50	4.88
12	66.50	42.50	41.50	27.88	58.75	20.63	59.88	7.88	3.75	7.63	3.63
14	72.00	36.00	41.50	21.75	61.38	19.75	62.75	5.25	7.13	6.13	5.38
17	72.00	36.00	49.00	21.75	61.38	19.75	62.75	12.75	5.13	6.25	5.38
21 top low-flow/back std	80.00	50.25	52.75	37.75	70.50	24.75	75.25	11.00	2.50	4.88	4.88
21 top std/back low-flow	80.00	50.25	52.75	37.75	70.50	24.75	75.25	11.00	2.50	4.88	4.88
21 top std/back std	80.00	50.25	52.75	37.75	70.50	24.75	75.25	11.00	2.50	4.88	4.88
25 top low-flow/back std	80.00	46.00	61.50	35.25	70.75	24.75	76.25	19.75	2.00	4.63	4.63
25 top std	80.00	56.50	61.50	37.75	70.50	24.75	76.25	19.75	2.00	5.88	4.88
30	93.50	56.50	61.50	42.75	84.75	36.75	88.75	12.75	2.75	8.25	4.13
35	100.00	48.00	67.25	29.75	92.25	29.75	92.25	19.75	4.00	8.00	4.00
40	112.50	48.00	67.25	29.75	100.25	29.75	100.25	19.75	6.25	9.75	6.25
50	125.50	48.00	75.75	34.50	110.00	34.50	108.00	22.25	8.75	7.75	7.75



## Dimensions

**Table 67. Mixing box with Traq damper dimensions (inches) (continued)**

Unit Size				Front/Back/Top Traq							
	W	L	H	TH	TW	RH	RW	AD	AE	AF	AG
57	125.50	48.00	85.50	34.50	110.00	34.50	108.00	27.25	8.75	7.75	7.75
66	140.50	84.00	92.50	72.50	117.00	70.50	123.00	15.25	8.75	3.75	11.75
80	140.50	92.00	107.50	74.50	119.00	75.50	123.00	17.75	8.75	9.75	10.75
100	154.50	96.00	119.75	77.50	127.00	79.50	127.00	20.75	13.75	8.75	13.75
120	182.00	96.00	119.75	77.50	130.50	79.50	130.50	20.75	14.00	8.75	16.00

**Table 68. Mixing box with Traq damper dimensions (inches)**

Unit size				Top/Back Traq only							
	Ext W	Ext L	Ext H	TH	TW	RH	RW	AF	AG	AD	AE
3 Top only	31.50	34.00	29.00	16.13	16.13			8.63	9.75		
3 Back only	31.50	34.00	29.00			16.13	16.13			5.50	9.75
4 Top Std only	44.00	34.00	29.00	17.13	32.88			10.50	5.63		
4 Top Low-flow only	44.00	34.00	29.00	19.38	31.88			6.50	5.88		
4 Back Std only	44.00	34.00	29.00			16.13	34.00			4.75	7.13
4 Back Low-flow only	44.00	34.00	29.00			19.63	32.13			6.00	9.50
6 Top Std only	44.00	34.00	35.25	17.13	32.88			10.50	5.63		
6 Top Low-flow only	44.00	34.00	35.25	19.38	31.88			6.50	5.88		
6 Back Std only	44.00	34.00	35.25			16.13	33.88			5.00	6.25
6 Back Low-flow only	44.00	34.00	35.25			16.13	35.13			8.50	6.00
8 Top Std only	50.50	44.00	37.75	27.38	39.38			10.50	5.63		
8 Top Low-flow only	50.50	44.00	37.75	27.38	39.38			10.50	5.63		
8 Back Std only	50.50	36.00	37.75			28.63	37.13			4.88	6.50
8 Back Low-flow only	50.50	36.00	37.75			28.63	37.13			4.88	6.50
10 Top Std only	61.50	36.00	37.75	16.13	52.13			12.50	4.88		
10 Top Low-flow only	61.50	36.00	37.75	16.13	52.13			12.50	4.88		
10 Back Std only	61.50	36.00	37.75			16.13	54.13			9.00	4.50
10 Back Low-flow only	61.50	36.00	37.75			16.13	54.13			9.00	4.50
12 Top Std only	6.50	42.50	41.50	27.88	58.75			7.63	3.63		
12 Top Low-flow only	666.50	42.50	41.50	27.88	58.75			7.63	3.63		
12 Back Std only	66.50	36.00	41.50			22.25	59.13			17.25	4.50
12 Back Low-flow only	66.50	36.00	41.50			22.25	59.13			17.25	4.50
14 Top Std only	72.00	36.00	41.50	21.75	61.38			6.13	5.38		
14 Top Low-flow only	72.00	36.00	41.50	21.75	61.38			6.13	5.38		
14 Back Std only	72.00	36.00	41.50			19.75	62.75			17.75	7.13
14 Back Low-flow only	72.00	36.00	41.50			19.75	62.75			17.75	7.13
17 Top Std only	72.00	36.00	49.00	21.75	61.38			6.13	5.38		
17 Top Low-flow only	72.00	36.00	49.00	21.75	61.38			6.13	5.38		
17 Back Std only	72.00	36.00	49.00			19.75	62.75			17.75	5.13
17 Back Low-flow only	72.00	36.00	49.00			19.75	62.75			17.75	5.13
21 Top Std only	80.00	50.25	52.75	37.75	70.50			4.88	4.88		
21 Top Low-flow only	80.00	50.25	52.75	37.75	70.50			4.88	4.88		
21 Back Std only	80.00	34.00	52.75			24.75	75.25			17.13	2.50
21 Back Low-flow only	80.00	34.00	52.75			24.75	75.25			17.13	2.50
25 Top Std only	80.00	56.50	61.50	37.75	70.50			5.88	4.88		
25 Top Low-flow only	80.00	46.00	61.50	35.75	70.75			4.63	4.63		

**Table 68. Mixing box with Traq damper dimensions (inches) (continued)**

Unit size	Ext W	Ext L	Ext H	Top/Back Traq only									
				TH	TW	RH	RW	AF	AG	AD	AE		
25 Back Std only	80.00	46.00	61.50			24.75	75.25					19.75	2.50
25 Back Low-flow only	80.00	46.00	61.50			24.75	75.25					19.75	2.50
30 Top Std only	93.50	56.50	61.50	42.75	84.75					8.25	4.13		
30 Top Low-flow only	93.50	56.50	61.50	42.75	84.75					8.25	4.13		
30 Back Std only	93.50	46.00	61.50			39.75	88.75					14.75	2.75
30 Back Low-flow only	93.50	46.00	61.50			39.75	88.75					14.75	2.75
35 Top only	100.00	48.00	67.25	29.75	92.25					8.00	4.00		
35 Back only	100.00	48.00	67.25			29.75	92.25					19.75	4.00
40 Top only	112.50	48.00	67.25	29.75	100.25					9.75	6.25		
40 Back only	112.50	48.00	67.25			29.75	100.25					19.75	6.25
50 Top only	125.50	48.00	75.75	34.50	110.00					7.75	7.75		
50 Back only	125.50	48.00	75.75			34.50	108.00					22.25	8.75
57 Top only	125.50	48.00	85.50	34.50	110.00					7.75	7.75		
57 Back only	125.50	48.00	85.50			34.50	108.00					27.25	8.75
66 Top only	140.50	84.00	92.50	72.50	117.00					3.75	11.75		
66 Back only	140.50	49.00	92.50			70.50	123.00					15.25	8.75
80 Top only	140.50	92.00	107.50	74.50	119.00					9.75	10.75		
80 Back only	140.50	54.00	107.50			75.50	123.00					17.75	8.75
100 Top only	154.50	96.00	119.75	77.50	127.00					8.75	13.75		
100 Back only	154.50	60.00	119.75			79.50	127.00					20.75	13.75
120 Top only	182.00	96.00	119.75	77.50	130.50					8.75	16.00		
120 Back only	182.00	60.00	119.75			79.50	130.50					20.75	14.00

**Table 69. Mixing box with airfoil and Traq damper dimensions (inches)**

Unit Size	W	L	H	Top-Bottom Airfoil/Front-Back Traq Dampers											
				TH	TW	BH	BW	RH	RW	AD	AE	AF	AG	AH	AJ
3	31.50	34.00	29.00	17.00	16.25	12.00	11.50	16.13	16.13	5.50	9.75	2.50	7.63	11.38	10.00
4 top airfoil/std	44.00	34.00	29.00	17.00	22.25			16.13	34.00	4.75	7.13	7.50	10.88		
4 bottom airfoil/std	44.00	34.00	29.00			12.00	17.50	16.13	34.63	10.50	5.50			11.38	13.25
4 top airfoil/low-flow	44.00	34.00	29.00	17.00	22.25			17.63	33.63	5.50	8.00	7.50	10.88		
4 bottom airfoil/low-flow	44.00	34.00	29.00			12.00	17.50	17.63	33.63	5.50	8.00			11.38	13.25
6 top airfoil/std	44.00	34.00	35.25	17.00	28.25			16.13	33.88	5.00	6.25	2.50	7.88		
6 top airfoil/low-flow	44.00	34.00	35.25	17.00	28.25			16.13	35.13	8.50	6.00	2.50	7.88		
6 bottom airfoil	44.00	34.00	35.25			12.00	23.50	16.13	35.13	12.50	6.00			9.38	10.25
8 top airfoil	50.50	36.00	37.75	17.00	37.25			28.63	37.13	4.88	6.50	9.50	6.63		
8 bottom airfoil	50.50	36.00	37.75			12.00	32.50	27.13	39.63	8.50	7.00			11.88	9.00
10 top airfoil	61.50	36.00	37.75	17.00	45.75			16.13	54.13	9.00	4.50	2.50	7.88		
10 bottom airfoil	61.50	36.00	37.75			12.00	41.00	16.13	54.13	18.50	4.50			4.38	10.25
12 top airfoil	66.50	36.00	41.50	17.00	55.50			23.75	58.63	4.75	5.00	2.50	5.50		
12 bottom airfoil	66.50	36.00	41.50			12.00	50.75	22.25	59.13	17.25	4.50			4.38	7.88
14 top airfoil	72.00	36.00	41.50	22.75	44.25			19.75	62.75	5.25	7.13	2.50	13.88		
14 bottom airfoil	72.00	36.00	41.50			17.75	39.50	19.75	62.75	17.75	7.13			4.38	16.25
17 top airfoil	72.00	36.00	49.00	22.75	54.00			19.75	62.75	12.75	5.13	2.50	9.00		
17 bottom airfoil	72.00	36.00	49.00			17.75	49.25	19.75	62.75	17.75	5.13			4.38	11.38
21 top airfoil	80.00	34.00	52.75	22.75	66.00			24.75	76.25	11.00	2.00	2.50	7.00		



## Dimensions

**Table 69. Mixing box with airfoil and Traq damper dimensions (inches) (continued)**

Unit Size	W	L	H	Top-Bottom Airfoil/Front-Back Traq Dampers											
				TH	TW	BH	BW	RH	RW	AD	AE	AF	AG	AH	AJ
21 bottom airfoil	80.00	34.00	52.75			17.75	61.25	24.75	76.25	17.13	2.00			4.38	9.38
25	80.00	46.00	61.50	28.50	61.50	23.50	56.75	24.75	76.25	19.75	2.00	2.50	9.25	4.38	11.63
30 top airfoil	93.50	46.00	61.50	28.50	71.00			36.75	88.75	12.75	2.75	2.50	11.25		
30 bottom airfoil	93.50	46.00	61.50			23.50	66.25	39.75	88.75	14.75	2.75			4.38	13.63
35 top airfoil/back Traq	100.00	48.00	67.25	34.25	69.00			29.75	92.25	19.75	4.00	6.50	15.50		
35 bottom airfoil/back Traq	100.00	48.00	67.25			31.75	66.50	29.75	92.25	19.75	4.00			8.25	16.75
40 top airfoil/back Traq	112.50	48.00	67.25	28.50	95.00			29.75	100.25	19.75	6.25	6.50	8.75		
40 bottom airfoil/back Traq	112.50	48.00	67.25			26.00	92.50	29.75	100.25	19.75	6.25			8.25	10.00
50 top airfoil/back Traq	125.50	48.00	75.75	28.50	108.00			34.50	108.00	22.25	8.75	6.50	8.75		
50 bottom airfoil/back Traq	125.50	48.00	75.75			26.00	105.50	34.50	108.00	22.25	8.75			8.25	10.00
57 top airfoil/back Traq	125.50	48.00	85.50	34.25	108.00			34.50	108.00	27.25	8.75	6.50	8.75		
57 bottom airfoil/back Traq	125.50	48.00	85.50			31.75	105.50	34.50	108.00	27.25	8.75			8.25	10.00
66 top airfoil/back Traq	140.50	49.00	92.50	34.25	123.00			70.50	123.00	15.25	8.75	6.50	8.75		
66 bottom airfoil/back Traq	140.50	49.00	92.50			31.75	120.50	70.50	123.00	15.25	8.75			8.25	10.00
80 top airfoil/back Traq	140.50	54.00	107.50	40.00	123.00			75.50	123.00	17.75	8.75	6.50	8.75		
80 bottom airfoil/back Traq	140.50	54.00	107.50			37.50	120.50	75.50	123.00	17.75	8.75			8.25	10.00
100 top airfoil/back Traq	154.50	60.00	119.75	45.75	137.00			79.50	127.00	20.75	13.75	6.50	8.75		
100 bottom airfoil/back Traq	154.50	60.00	119.75			43.25	134.50	79.50	127.00	20.75	13.75			8.25	10.00
120 top airfoil/back Traq	182.00	60.00	119.75	45.75	164.25			79.50	130.50	20.75	14.00	6.50	8.88		
120 bottom airfoil/back Traq	182.00	60.00	119.75			43.25	161.75	79.50	130.50	20.75	14.00			8.25	10.13

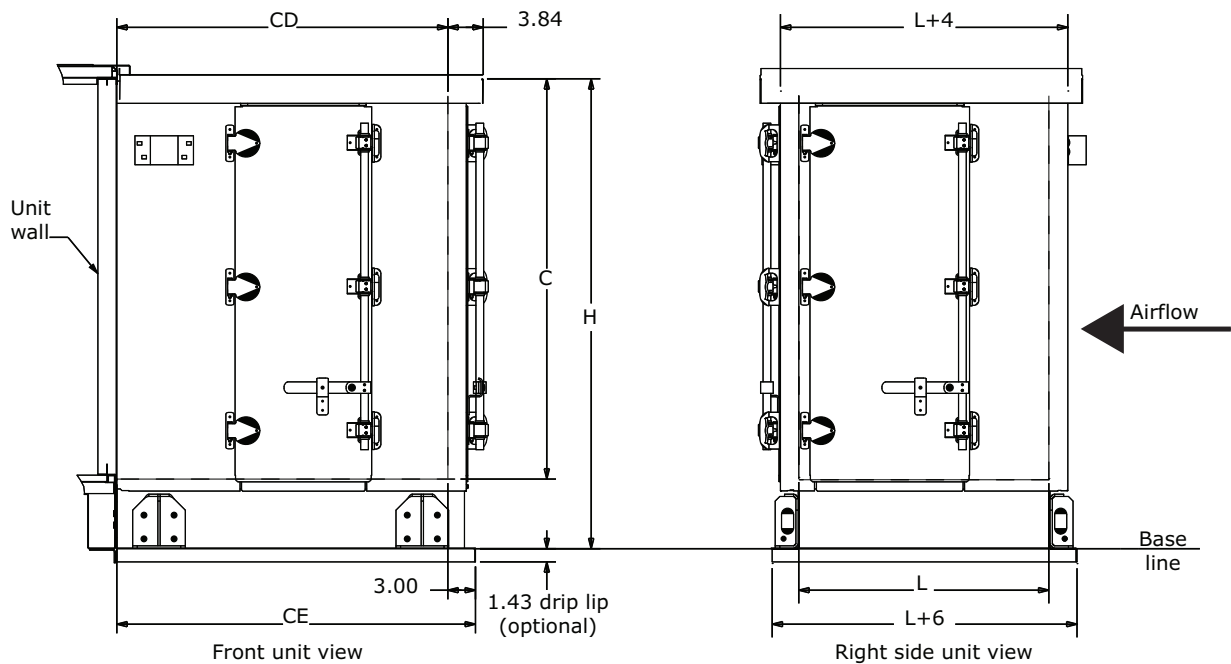
**Table 70. Mixing box with Traq and airfoil damper dimensions (inches)**

Unit Size	W	L	H	Top Traq/Front-Back-Bottom Airfoil Dampers											
				TH	TW	BH	BW	RH	RW	AD	AE	AF	AG	AH	AJ
3	31.50	34.00	29.00	16.13	16.13	12.00	11.50	17.00	16.25	8.25	7.63	8.63	9.75	4.38	10.00
4 low-flow	44.00	34.00	29.00	19.38	31.88	12.00	17.50	17.00	22.25	8.25	10.88	6.50	5.88	4.38	13.25
4 std	44.00	34.00	29.00	17.13	32.88	12.00	17.50	17.00	22.25	8.25	10.88	10.50	5.63	4.38	13.25
6 low-flow	44.00	34.00	35.25	19.38	31.88	12.00	23.50	17.00	28.25	10.50	7.88	6.50	5.88	4.38	10.25
6 std	44.00	34.00	35.25	17.13	32.88	12.00	23.50	17.00	28.25	10.50	7.88	10.50	5.63	4.38	10.25
8	50.50	44.00 <sup>1</sup>	37.75	27.38	39.38	12.00	32.50	17.00	37.25	11.75	6.63	10.50	5.63	4.38	9.00
10	61.50	36.00	37.75	16.13	52.13	12.00	41.00	17.00	45.75	11.75	7.88	12.50	4.88	4.38	10.25
12	66.50	42.50	41.50	27.88	58.75	12.00	50.75	17.00	55.50	13.63	5.50	7.63	3.63	4.38	7.88
14	72.00	36.00	41.50	21.75	61.38	17.75	39.50	22.75	44.25	10.75	13.88	6.13	5.38	4.38	16.25
17	72.00	36.00	49.00	21.75	61.38	17.75	49.25	22.75	54.00	14.50	9.00	6.13	5.38	4.38	11.38
21	80.00	50.25	52.75	37.75	70.50	17.75	61.25	22.75	66.00	16.38	7.00	4.88	4.88	4.38	9.38
25 low-flow	80.00	46.00	61.50	35.25	70.75	23.50	56.75	28.50	61.50	17.88	9.25	4.63	4.63	4.38	11.63
25 std	80.00	56.50	61.50	37.75	70.50	23.50	56.75	28.50	61.50	17.88	9.25	5.88	4.88	4.38	11.63
30	93.50	56.50	61.50	42.75	84.75	23.50	66.25	28.50	71.00	17.88	11.25	8.25	4.13	4.38	13.63
35	100.00	48.00	67.25	29.75	92.25	31.75	66.50	34.25	69.00	17.63	15.50	8.00	4.00	8.25	16.75
40	112.50	48.00	67.25	29.75	100.25	26.00	92.50	28.50	95.00	20.50	8.75	9.75	6.25	8.25	10.00
50	125.50	48.00	75.75	34.50	110.00	26.00	105.50	28.50	108.00	24.75	8.75	7.75	7.75	8.25	10.00
57	125.50	48.00	85.50	34.50	110.00	31.75	105.50	34.25	108.00	26.75	8.75	7.75	7.75	8.25	10.00
66	140.50	84.00	92.50	72.50	117.00	31.75	120.50	34.25	123.00	32.00	8.75	3.75	11.75	8.25	10.00

**Table 70. Mixing box with Traq and airfoil damper dimensions (inches) (continued)**

Unit Size	W	L	H	Top Traq/Front-Back-Bottom Airfoil Dampers											
				TH	TW	BH	BW	RH	RW	AD	AE	AF	AG	AH	AJ
80	140.50	92.00	107.50	74.50	119.00	37.50	120.50	40.00	123.00	36.63	8.75	9.75	10.75	8.25	10.00
100	154.50	96.00	119.75	77.50	127.00	43.25	134.50	45.75	137.00	39.88	8.75	8.75	13.75	8.25	10.00
120	182.00	96.00	119.75	77.50	130.50	43.25	161.75	45.75	164.25	39.88	8.88	8.75	16.00	8.25	10.13

## Pipe Cabinet

**Figure 61. Pipe cabinet**

**Table 71. Pipe cabinet dimensions (inches)**

Unit Size	Internal unit height	Cabinet Depth - CD			Cabinet Depth - CE			C	H	L <sup>1</sup>
		Reduced 24 in.	Standard 36 in.	Extended 48 in.	Reduced 24 in.	Standard 36 in.	Extended 48 in.			
3	22.50	24.00	36.00	48.00	27.00	39.00	51.00	24.04	31.54	--
4	22.50	24.00	36.00	48.00	27.00	39.00	51.00	24.04	31.54	--
6	28.75	24.00	36.00	48.00	27.00	39.00	51.00	30.29	37.79	--
8	31.25	24.00	36.00	48.00	27.00	39.00	51.00	32.79	40.29	--
10	31.25	24.00	36.00	48.00	27.00	39.00	51.00	32.79	40.29	--
12	35.00	24.00	36.00	48.00	27.00	39.00	51.00	36.54	44.04	--
14	35.00	24.00	36.00	48.00	27.00	39.00	51.00	36.54	44.04	--
17	42.50	24.00	36.00	48.00	27.00	39.00	51.00	44.04	51.54	--
21	46.25	24.00	36.00	48.00	27.00	39.00	51.00	47.79	55.29	--
25	55.00	24.00	36.00	48.00	27.00	39.00	51.00	56.54	64.04	--
30	55.00	24.00	36.00	48.00	27.00	39.00	51.00	56.54	64.04	--



## Dimensions

**Table 71. Pipe cabinet dimensions (inches) (continued)**

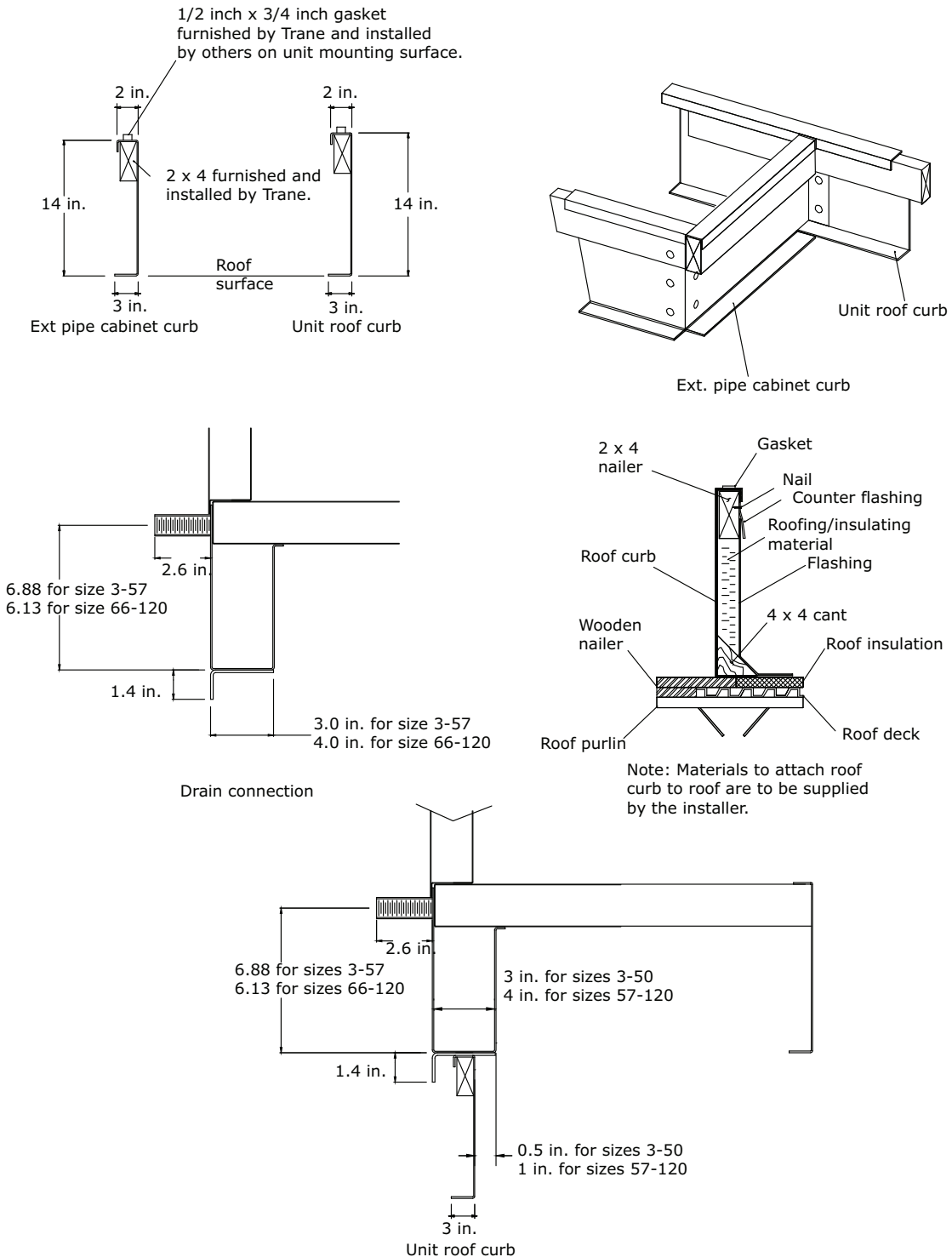
Unit Size	Internal unit height	Cabinet Depth - CD			Cabinet Depth - CE			C	H	L <sup>1</sup>
		Reduced 24 in.	Standard 36 in.	Extended 48 in.	Reduced 24 in.	Standard 36 in.	Extended 48 in.			
35	60.75	24.00	36.00	48.00	27.00	39.00	51.00	62.29	69.79	--
40	60.75	24.00	36.00	48.00	27.00	39.00	51.00	62.29	69.79	--
50	69.25	24.00	36.00	48.00	27.00	39.00	51.00	70.79	78.29	--
57	79.00	24.00	36.00	48.00	27.00	39.00	51.00	80.54	88.04	--
66	82.50	24.00	36.00	48.00	27.00	39.00	51.00	84.04	91.54	--
80	97.50	24.00	36.00	48.00	27.00	39.00	51.00	99.04	106.54	--
100	109.75	24.00	36.00	48.00	27.00	39.00	51.00	111.29	118.79	--
120	109.75	24.00	36.00	48.00	27.00	39.00	51.00	111.29	118.79	--

**Note:** L = length of functional section or consecutive functional sections which have cabinets. Maximum L is 106.54 inches based on longest single piece outdoor roof panel.



# Roof Curb

Figure 62. Roof curb details





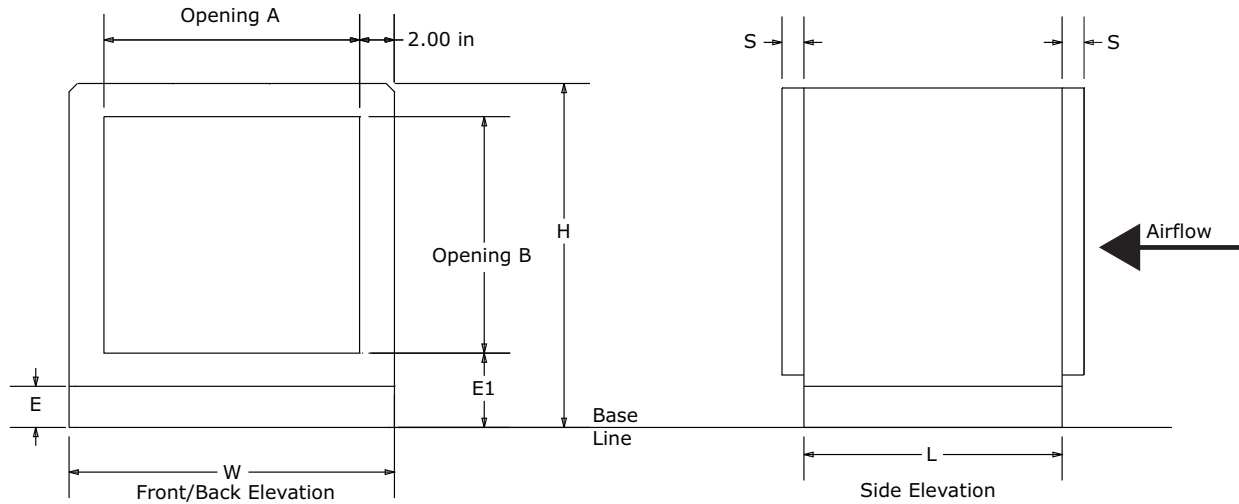
## Dimensions

**Table 72. Roof dimensions (inches)**

Unit size	Unit width (widest from lug to lug)	Roof height	Unit height	Unit height with roof curb drip lip (adds 0.13 inches)
3	38.31	2.20	37.20	37.33
4	50.81	2.33	37.33	37.45
6	50.81	2.33	43.58	43.70
8	57.31	2.33	46.08	46.20
10	68.31	2.33	46.08	46.20
12	73.31	2.70	50.20	50.33
14	78.81	2.70	50.20	50.33
17	78.81	2.70	57.70	57.83
21	86.81	2.70	61.45	61.58
25	86.81	2.70	70.20	70.33
30	100.31	2.70	70.20	70.33
35	106.81	2.70	75.95	76.08
40	119.31	2.70	75.95	76.08
50	132.31	3.58	85.33	85.45
57	132.31	3.58	95.08	95.20
66	147.31	3.58	102.08	102.20
80	147.31	3.58	117.08	117.20
100	161.31	3.58	129.33	129.45
120	188.81	3.58	129.33	129.45

**Note:** If the unit is installed on a roof curb, there is an additional 0.125 inches height from the drip lip. The unit roof length is equal to the total unit length plus 1.5 inches. Overhang on each end (unit length + 3 inches). Unit height includes 6 inch base rail height. Unit width is the external unit width + the lug dimensions (6.806 inches).

# Silencers

**Figure 63. Silencers**

**Table 73. 3-foot and 5-foot silencer dimensions (inches)**

Unit size	W	H	Front/back openings		Base <sup>2</sup>			S <sup>1</sup>	
			3 ft length	5 ft length	A	B	E		E1
3	31.50	29.00	38.00	62.00	27.50	22.50	2.50	4.50	1.00
4	44.00	29.00	38.00	62.00	40.00	22.50	2.50	4.50	1.00
6	44.00	35.25	38.00	62.00	40.00	28.75	2.50	4.50	1.00
8	50.50	37.75	38.00	62.00	46.50	31.25	2.50	4.50	1.00
10	61.50	37.75	38.00	62.00	57.50	31.25	2.50	4.50	1.00
12	66.50	41.50	38.00	62.00	62.50	35.00	2.50	4.50	1.00
14	72.00	41.50	38.00	62.00	68.00	35.00	2.50	4.50	1.00
17	72.00	49.00	38.00	62.00	68.00	42.50	2.50	4.50	1.00
21	80.00	52.75	38.00	62.00	76.00	46.25	2.50	4.50	1.00
25	80.00	61.50	38.00	62.00	76.00	55.00	2.50	4.50	1.00
30	93.50	61.50	38.00	62.00	89.50	55.00	2.50	4.50	1.00
35	100.00	67.25	38.00	62.00	96.00	60.75	2.50	4.50	1.00
40	112.50	67.25	38.00	62.00	108.50	60.75	2.50	4.50	1.00
50	125.50	75.75	38.00	62.00	121.50	69.25	2.50	4.50	1.00
57	125.50	85.50	38.00	62.00	121.50	79.00	2.50	4.50	1.00
66	140.50	92.50	38.00	62.00	136.50	82.50	6.00	8.00	1.00
80	140.50	107.50	38.00	62.00	136.50	97.50	6.00	8.00	1.00
100	154.50	119.75	38.00	62.00	150.50	109.75	6.00	8.00	1.00
120	182.00	119.75	38.00	62.00	178.00	109.75	6.00	8.00	1.00

**Notes:**

- Shipping split flange dimension is for shipping planning purposes only and does not add to installed overall unit length.
- Base line includes the height for standard 2.5-inch integral base frame on unit sizes 3-57 and 6-inch integral base frame on unit sizes 66-120.

# Trane Catalytic Air Cleaning System (TCACS)

Figure 64. Trane Catalytic Air Cleaning System (TCACS)

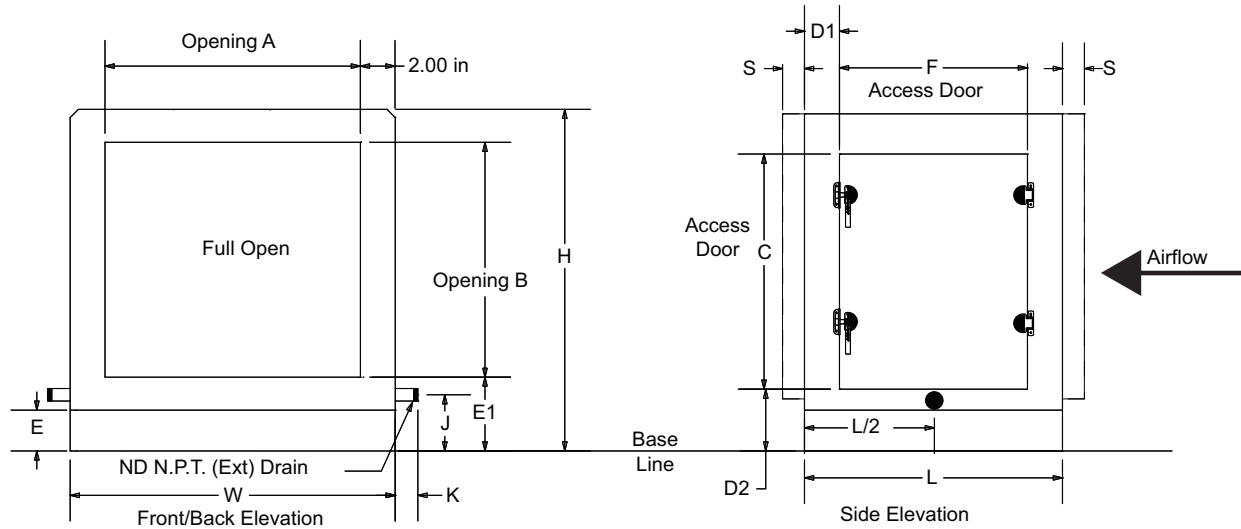


Table 74. Trane Catalytic Air Cleaning System (TCACS) section dimensions (inches)

Unit Size	W	H	Outward Door			Base		Drain Pan		Ship Split		Medium		
			Hinged*	C	D2	E	E1	J	K	NPT	S	L	Outward door	F
3	31.50	29.00	AE	22.25	4.25	2.50	4.50	n/a	n/a	1.00	1.00	36.00	19.63	12.94
4	44.00	29.00	AE	22.25	4.25	2.50	4.50	n/a	n/a	1.00	1.00	36.00	19.63	12.94
6	44.00	35.25	AE	28.50	4.25	2.50	4.50	n/a	n/a	1.00	1.00	36.00	19.63	12.94
8	50.50	37.75	AE	31.00	4.25	2.50	4.50	n/a	n/a	1.00	1.00	36.00	19.63	12.94
10	61.50	37.75	AE	31.00	4.25	2.50	4.50	n/a	n/a	1.00	1.00	36.00	19.63	12.94
12	66.50	41.50	AE	34.75	4.25	2.50	4.50	n/a	n/a	1.00	1.00	36.00	19.63	12.94
14	72.00	41.50	AE	34.75	4.25	2.50	4.50	n/a	n/a	1.00	1.00	36.00	19.63	12.94
17	72.00	49.00	AE	42.25	4.25	2.50	4.50	n/a	n/a	1.00	1.00	36.00	19.63	12.94
21	80.00	52.75	AE	46.00	4.25	2.50	4.50	n/a	n/a	1.00	1.00	36.00	19.63	12.94
25	80.00	61.50	AE	54.75	4.25	2.50	4.50	n/a	n/a	1.00	1.00	36.00	19.63	12.94
30	93.50	61.50	AE	54.75	4.25	2.50	4.50	n/a	n/a	1.00	1.00	36.00	19.63	12.94
35	100.00	67.25	AE	60.50	4.25	2.50	4.50	n/a	n/a	1.25	1.00	36.00	19.63	12.94
40	112.50	67.25	AE	60.50	4.25	2.50	4.50	n/a	n/a	1.25	1.00	36.00	19.63	12.94
50	125.50	75.75	AE	69.00	4.25	2.50	4.50	n/a	n/a	1.25	1.00	36.00	19.63	12.94
57	125.50	85.50	AE	78.75	4.25	2.50	4.50	n/a	n/a	1.25	1.00	36.00	19.63	12.94
66	140.50	92.50	AE	82.25	7.75	6.00	8.00	n/a	n/a	1.50	1.00	36.00	19.63	12.94
80	140.50	107.50	AE	97.25	7.75	6.00	8.00	n/a	n/a	1.50	1.00	36.00	19.63	12.94
100	154.50	119.75	AE	109.5	7.75	6.00	8.00	n/a	n/a	1.50	1.00	36.00	19.63	12.94
120	182.00	119.75	AE	109.5	7.75	6.00	8.00	n/a	n/a	1.50	1.00	36.00	19.63	12.94

**Notes:**

1. Formulation for opening for outward is in the comment at C. D1 Side of the door to Side of unit for Outward, and Side of the door opening to the side of the unit for inward.
2. Bottom of the door to bottom of 2.5" base rail for Outward, and Bottom of the door opening to the 2.5 inch base rail for inward. C is the outside to outside dimension for the outward swing door. F is the outside to outside dimension for the outward swing door.





The AHRI Certified mark indicates Trane U.S. Inc. participation in the AHRI Certification program. For verification of individual certified products, go to [ahridirectory.org](http://ahridirectory.org).

Trane - by Trane Technologies (NYSE: TT), a global climate innovator - creates comfortable, energy efficient indoor environments for commercial and residential applications. For more information, please visit [trane.com](http://trane.com) or [tranetechnologies.com](http://tranetechnologies.com).

Trane has a policy of continuous product and product data improvement and reserves the right to change design and specifications without notice. We are committed to using environmentally conscious print practices.