



## Product Data Sheet

# Zone Sensors with Fan and System Switch

Trane™ offers a full line of wireless and wired temperature sensors. Wireless temperature sensors are an ideal and cost-effective alternative to wired sensors that provide easy and flexible installation. Conventional wired sensors are best suited where wireless sensors are not allowed or when a wired connection to a service tool is required.

### Features, Benefits, and Part Numbers:

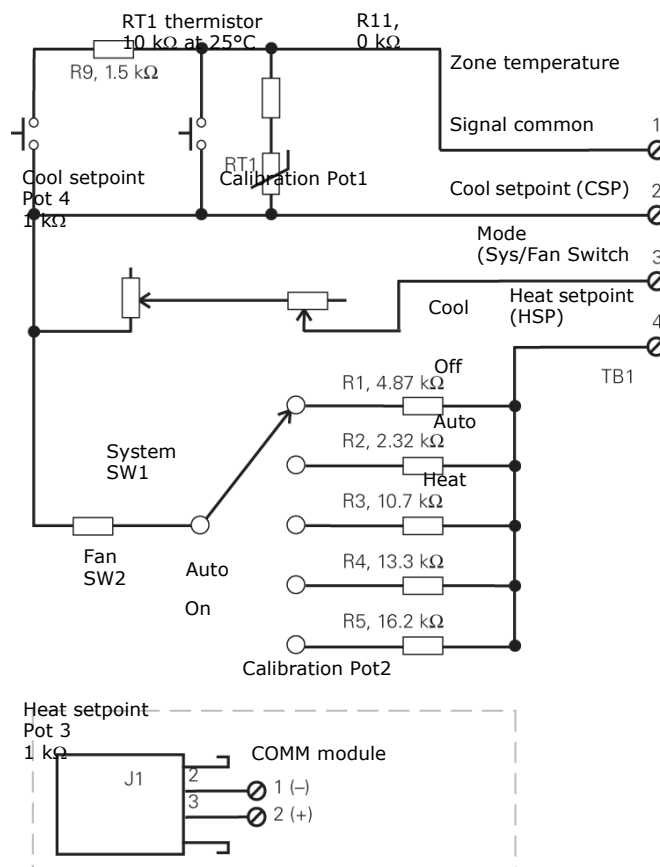
Features	Benefits
Temperature setpoint control	Allows the tenant to choose a temperature setpoint that satisfies their personal preference.
Fan and system switch	Allows the tenant to locally control the operating mode and fan speed to better satisfy their personal preferences.
COMM module (optional)	Compatible with all Trane-wired temperature sensors. This optional accessory provides local RJ22 connection to Trane service tools for easy, low cost maintenance.
Hot/cold thumbwheel (optional)	Allows the tenant to choose a temperature setpoint relative to their zone of comfort as opposed to exact numbers.

Part Numbers							
Description				LED	Part Number	BAYSENS	Global Parts
Setpoint	Fan	System					
Dual	Auto/High	Cool/Off/Auto/Heat/Em Heat	Yes	X1379084701	BAYSENS109A	SEN01523	
Single	Auto/High	Cool/Off/Heat/Em Heat	Yes	X1379085201	BAYSENS107A	SEN01528	
Dual	Auto/High	Cool/Off/Auto/Heat	No	X1379083701	BAYSENS108A	SEN01513	
Dual	Auto/High	Cool/Off/Auto/Heat	Yes	X1379084601	BAYSENS110A	SEN01522	
Single	Auto/High	Cool/Off/Heat	No	X1379083901	BAYSENS106A	SEN01515	
Single	Low/High	Cool/Off/Heat/Fan	No	X1379085001	NA	SEN01526	
COMM Module (Box of 12)					X1365146702	BAYCOMM005A	CON01313
Thumbwheel; Hot/Cold (Box of 12)					X1316105702	NA	KNB00182

# Specifications

Description	
Sensor operating temperature	From 32°F to 122°F (0°C to 50°C)
Storage temperature	From -40°F to 185°F (-40°C to 85°C)
Storage/operating humidity range	5% to 95% relative humidity (RH), noncondensing
Thermistor accuracy	0.2°C at 25°C, 1%
Setpoint functional range	45°F to 90°F (7.2°C to 32.2°C)
Setpoint thumbwheel markings	50°F to 85°F (in 5°F increments) with */** icons on thumbwheel 11°C to 29°C (in 3°C increments) with */** icons on thumbwheel
Housing material	Polycarbonate/ABS (suitable for plenum mounting), UV protection, UL 94: 5 VA flammability rating
Mounting	Fits a standard 2 in. by 4 in. junction box (vertical mount only). Mounting holes are spaced 3.2 in. (83 mm) apart on vertical center line. Includes mounting screws for junction box or wall anchors for sheet-rock walls. Overall dimensions: 2.9 in (74 mm) by 4.7 in. (119 mm)

## Schematic (Typical)



Trane - by Trane Technologies (NYSE: TT), a global climate innovator - creates comfortable, energy efficient indoor environments for commercial and residential applications. For more information, please visit [trane.com](http://trane.com) or [tranetechnologies.com](http://tranetechnologies.com).

Trane has a policy of continuous product and product data improvement and reserves the right to change design and specifications without notice. We are committed to using environmentally conscious print practices.