

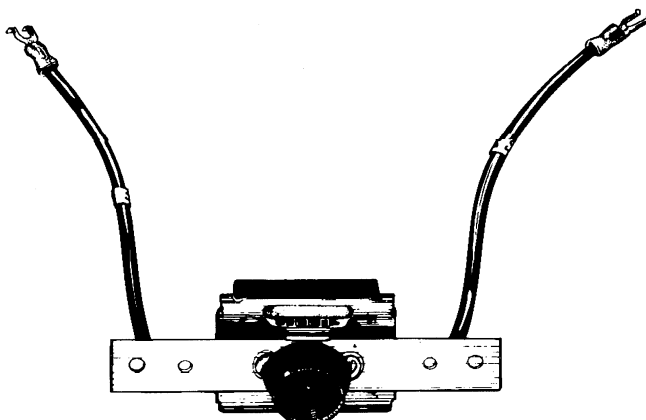


Installation

UHEC-IN-41

Library	Service Literature
Product Section	Air Terminal Devices and Heating Products
Product	Unit Heaters
Model	UHEC Accessories
Literature Type	Installation
Sequence	41
Date	April 1997
File No.	SV-TD-UH-UHEC-IN-41-497
Supersedes	EUH-IN-41B-1194

Remote, Wall-Mount Low Voltage Summer Fan Switch and Relay



Model FSW 5112
Order No. 236-720
(For Use On Units With Contactors
and 24-Volt Transformer Only)

9491

Since the Trane Company has a policy of continuous product improvement, it reserves the right to change specifications and design without notice. The installation and servicing of the equipment referred to in this booklet should be done by qualified, experienced technicians.

Installation Instructions

Procedure

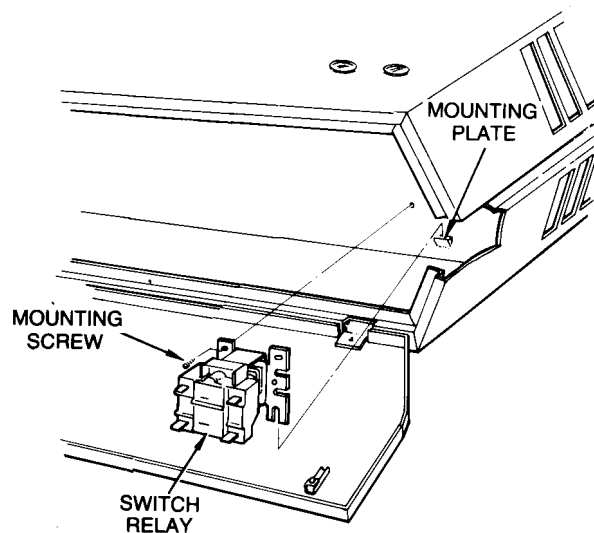
Important: Use Fan Switch Model FSW5112 on units with low voltage contactors and built-in 24-volt transformer **only**. Do not use on 480V or 600V units.

⚠ WARNING!
Open disconnect switches before servicing unit. Failure to do so may result in personal injury or death from electrical shock.

⚠ Caution:
All wiring must be done in accordance with NEC, CEC and all local codes. All conductors from the thermostat to the unit must be copper. Wiring from remote switch to heater terminal board must be NEC Class 1 with an insulation rating of 600 volts.

1. Disconnect heater from power supply.
2. Remove 7/8" (22mm) dia. knockout from back of heater for control wiring from switch.
 - a. **3.3KW thru 5KW units -**
Knockout is located approximately 2-1/2" (64mm) to right of heater back center and 3-5/16" (84mm) from bottom of heater.
 - b. **7.5KW thru 20KW units -**
Knockout is located 5-1/2" (140mm) to left of heater back center and 1-1/2" (38mm) from bottom of heater.
 - c. **25KW thru 50KW units -**
Knockout is located 5-1/16" (129mm) to left of heater back center and 3-5/8" (92mm) from bottom of heater.
3. Mount switch bracket assembly in the remotely located utility box (provided by others) with appropriate cover. Note the location of the "top" of the switch bracket.
4. Wire switch according to wiring diagram located on inside of heater bottom panel. Attach switch leads 2 and 4 to terminals 2 and 4 on heater terminal board.
5. Attach cover to utility box.
6. Attach knob to switch shaft.
7. Remove paper backing from "FAN-HEAT" decal and affix it to utility box cover above fan switch knob.

Figure 1
Relay Location on 3.3KW thru
5KW Units



Installation Instructions

8. Mount low voltage relay in wiring compartment. See Figures 1, 2 and 3 for proper mounting location. Slip long leg of relay base under raised section of control mounting plate and attach diagonally opposite corner of relay base to control mounting plate with the No. 8 screw provided.

Note: 3.3KW thru KW Units - Relay is mounted next to heater terminal block.

7.5KW thru 50KW Units - Relay is mounted next to heater terminal board.

9. Wire relay according to wiring diagram located on inside of heater bottom panel. Attach relay leads 6, 8, 7 and 9 to terminals 6, 8, 7 and 9 on terminal board.

10. Restore power to the unit and check for proper operation.

Note: For summer fan operation only, place thermostat in OFF position.

Figure 2
Relay Location on 7.5KW thru 20KW Units

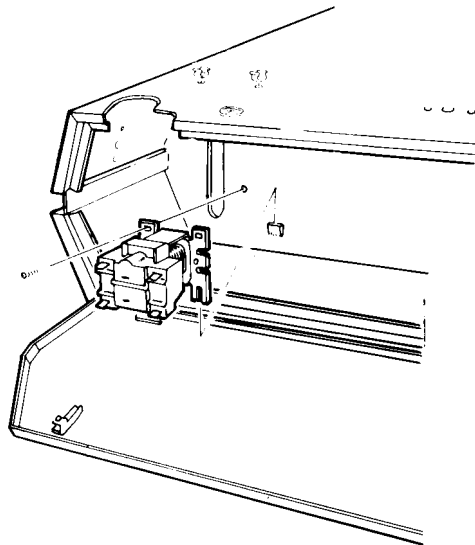


Figure 3
Relay Location on 25KW thru 50KW Units

