

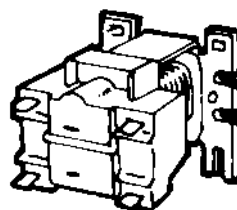


# Installation

# UHEC-IN-39

Library	Service Literature
Product Section	Air Terminal Devices and Heating Products
Product	Unit Heaters
Model	UHEC Accessories
Literature Type	Installation
Sequence	39
Date	April 1997
File No.	SV-TD-UH-UHEC-IN-39-497
Supersedes	EUH-IN-39A-1194

## Unit-Mounted Low Voltage Summer Fan Switch and Relay



**Model FS 5103**  
**Order No. 236-713**  
**(For Use On Units With Contactors**  
**and 24-Volt Transformer Only)**

**9596**

Since the Trane Company has a policy of continuous product improvement, it reserves the right to change specifications and design without notice. The installation and servicing of the equipment referred to in this booklet should be done by qualified, experienced technicians.

# Installation Instructions

## Procedure

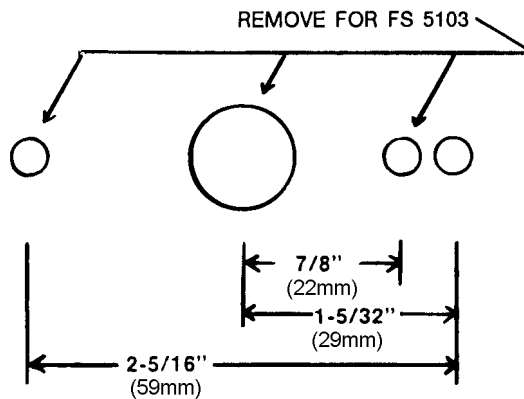
**Important:** Use Fan Switch Model FS5103 on units with low voltage contactors and 24-volt transformer only.

**Warning!**  
Open disconnect switches before servicing unit. Failure to do so may result in personal injury or death from electrical shock.

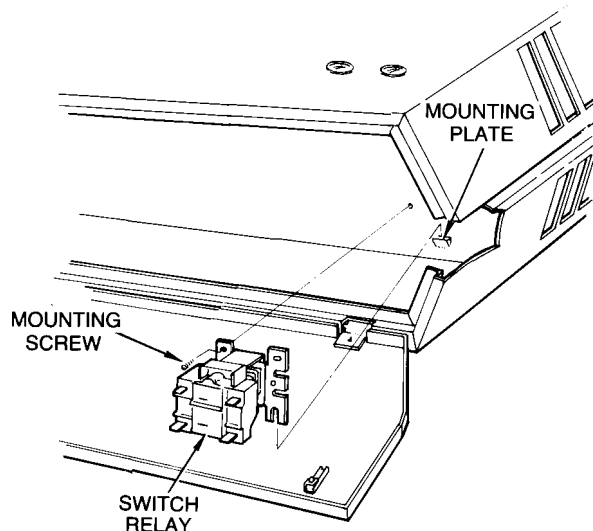
**Caution:**  
All wiring must be done in accordance with NEC, CEC and all local codes. All conductors from the thermostat to the unit must be copper.

1. Disconnect heater from power supply.
2. Remove appropriate knockouts from back of heater (Figure 1).
  - a. **3.3KW thru 5KW units** - Knockout group is located on heater back center approximately 1-1/8" (29mm) from bottom of heater.
  - b. **7.5KW thru 20KW units** - Knockout group is located on heater back approximately 3-1/4" (83mm) from bottom of heater, with the 9/16" (14mm) dia. knockout located approximately 3-3/4" (95mm) to the right of the back center.
  - c. **25KW thru 50KW units** - Knockout group is located on heater back approximately 1-3/4" (45mm) from bottom of heater, with the 9/16" (14mm) dia. knockout located approximately 5" (127mm) to the left of the back center.
3. Remove paper backing from "FAN-HEAT" decal, align it with the large knockout hole and affix it to heater back with the word "FAN" toward the bottom of the heater.
4. Rotate switch-shaft clockwise to the "FAN" position.
5. With flat portion of switch-shaft toward bottom of heater, attach switch and bracket assembly to heater-back with the two No. 8 screws provided.

**Figure 1**  
Knockouts for Fan Switch Model FS 5103



**Figure 2**  
Relay Location on 3.3KW thru 5KW Units



# Installation Instructions

---

6. Push knob on switch-shaft and check alignment of knob pointer and "FAN-HEAT" decal.
7. Mount low voltage relay in wiring compartment. Slip long leg of relay-base under raised section of control mounting plate and attach diagonally opposite corner of relay base to control mounting plate with the No. 8 screw provided. (Figures 2, 3 and 4)

**Note: 3.3KW thru KW Units -** Relay is mounted next to heater terminal block.

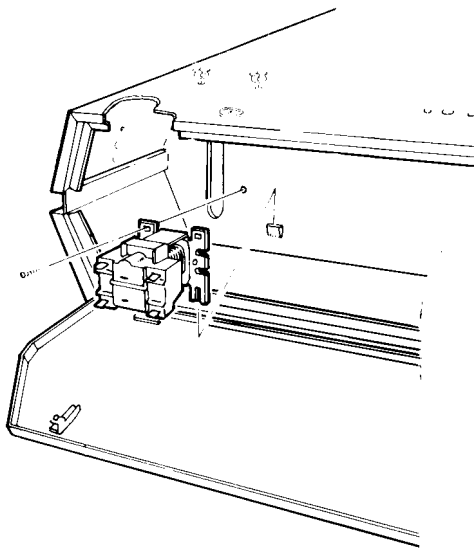
**7.5KW thru 50KW Units -** Relay is mounted next to heater terminal board.

8. Wire switch and relay according to wiring diagram located on inside of heater bottom panel. Attach switch leads 2 and 4 to terminals 2 and 4 on terminal board. Attach relay leads 6, 8, 7 and 9 to terminals 6, 8, 7 and 9 on terminal board.

9. Restore power to the unit and check for proper operation.

**Note:** For summer fan operation only, place thermostat in OFF position.

**Figure 3**  
Relay Location on 7.5KW thru 20KW Units



**Figure 4**  
Relay Location on 25KW thru 50KW Units

