

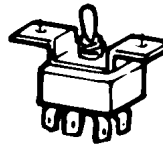


Installation

UHEC-IN-38

Library	Service Literature
Product Section	Air Terminal Devices and Heating Products
Product	Unit Heaters
Model	UHEC Accessories
Literature Type	Installation
Sequence	38
Date	April 1997
File No.	SV-TD-UH-UHEC-IN-38-497
Supersedes	EUH-IN-38B-1194

Unit-Mounted Line Voltage Summer Fan Switch



Model FS 5102
Order No. 236-712
(For Use With 480V and 600V Units)

9486

Since the Trane Company has a policy of continuous product improvement, it reserves the right to change specifications and design without notice. The installation and servicing of the equipment referred to in this booklet should be done by qualified, experienced technicians.

Installation Instructions

Procedure

⚠ Caution:
Use Fan Switch Model FS5102 on 480V or 600V units only. Do not use on 208V, 240V and 277V units.

⚠ WARNING!
Open disconnect switches before servicing unit. Failure to do so may result in personal injury or death from electrical shock.

⚠ Caution:
All wiring must be done in accordance with NEC, CEC and all local codes. All conductors from the thermostat to the unit must be copper.

1. Disconnect heater from power supply.
2. Remove appropriate knockouts from back of heater (Figure 1).
 - a. **3.3KW thru 5KW units** - Knockout group is located on heater back approximately 1-1/8" (29mm) from bottom of heater. See Figure 2.
 - b. **7.5KW thru 20KW units** - Knockout group is located on heater back center approximately 3-1/4" (83mm) from bottom of heater, with the 9/16" (14mm) dia. knockout located approximately 3-3/4" (95mm) to the right of the back center. See Figure 3.

Figure 1
Knockouts for Fan Switch Model FS 5102

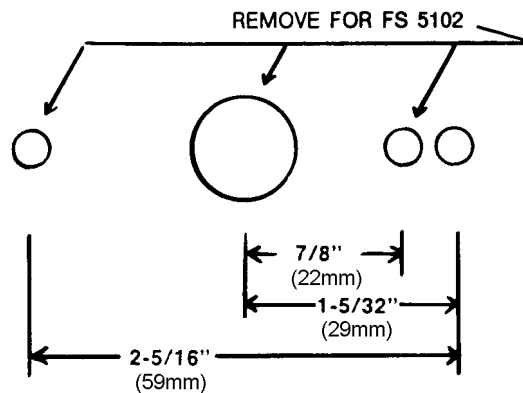
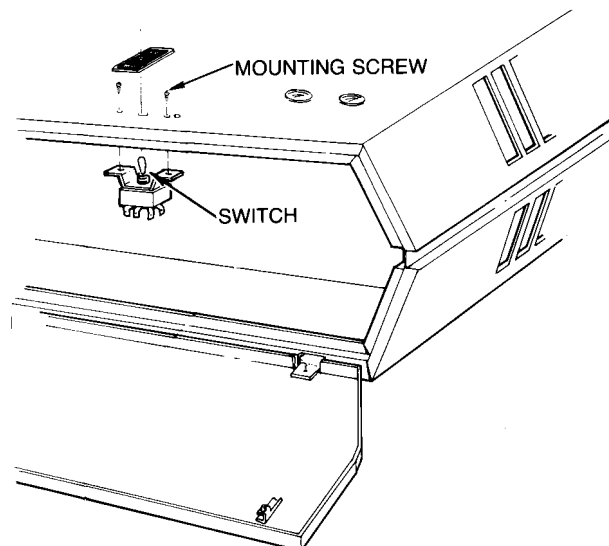


Figure 2
Fan Switch Location on 3.3KW thru 5KW Units



Installation Instructions

- c. **25KW thru 50KW units -**
Knockout group is located on heater back approximately 1-3/4" (45mm) from bottom of heater, with the 9/16" (14mm) dia. knockout located approximately 5" (127mm) to the left of the back center. See Figure 4.
3. Remove paper backing from "FAN-HEAT" decal, align it with the large knockout hole and affix it to heater back with the word "HEAT" toward the bottom of the heater.
4. Attach switch bracket assembly to heater bracket with the two No. 8 screws provided.
5. Wire switch according to wiring diagram located on inside of heater bottom panel. Attach leads 7 and 9 to terminals 7 and 9 on terminal board.
6. Restore power to the unit and check for proper operation.

Note: For summer fan operation only, place thermostat in OFF position.

Figure 3
Fan Switch Location on
7.5KW thru 20KW Units

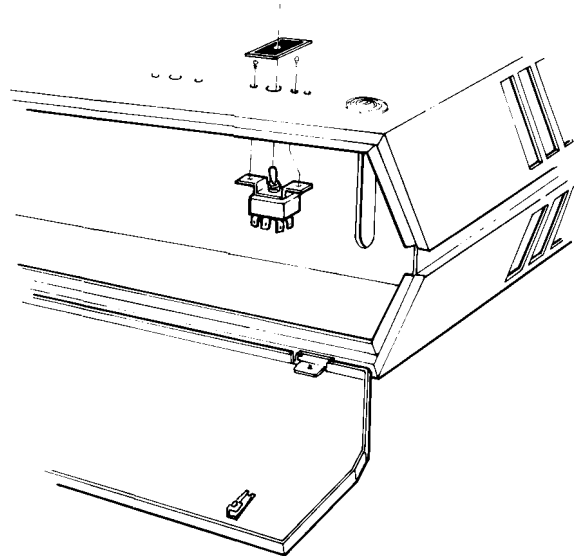


Figure 4
Fan Switch Location on
25KW thru 50KW Units

