



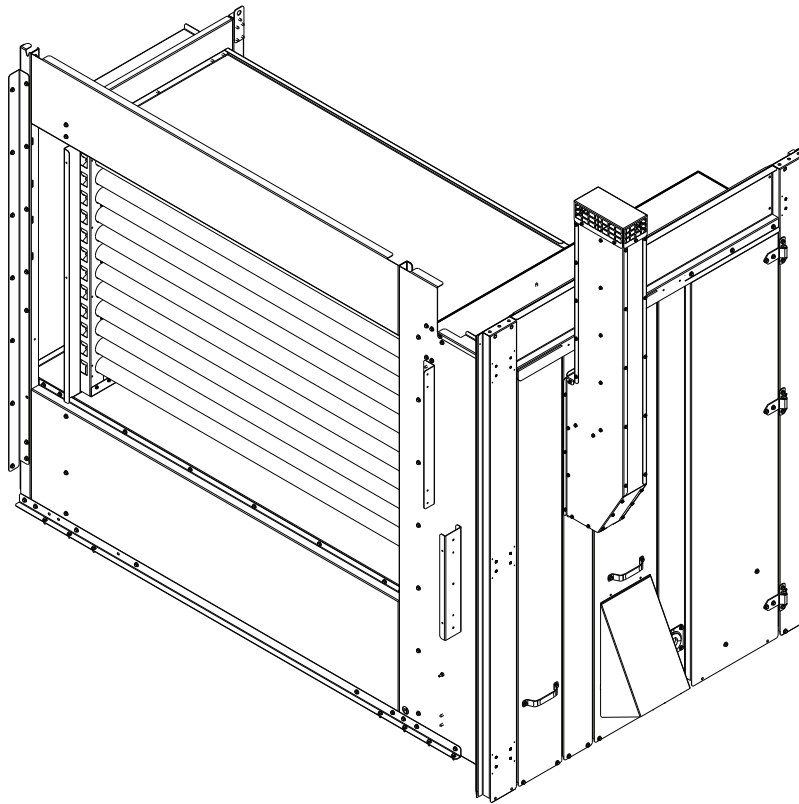
Installation Guide

Flue Vent for IntelliPak™ with

Symbio™ 800 Controller

20-75 Ton

Model Numbers
SF020 to SF075



▲ SAFETY WARNING

Only qualified personnel should install and service the equipment. The installation, starting up, and servicing of heating, ventilating, and air-conditioning equipment can be hazardous and requires specific knowledge and training. Improperly installed, adjusted or altered equipment by an unqualified person could result in death or serious injury. When working on the equipment, observe all precautions in the literature and on the tags, stickers, and labels that are attached to the equipment.



Warnings, Cautions, and Notices

Safety advisories appear throughout this manual as required. Your personal safety and the proper operation of this machine depend upon the strict observance of these precautions.

The three types of advisories are defined as follows:



Indicates a potentially hazardous situation which, if not avoided, could result in death or serious injury.



Indicates a potentially hazardous situation which, if not avoided, could result in minor or moderate injury. It could also be used to alert against unsafe practices.



Indicates a situation that could result in equipment or property-damage only accidents.

Important Environmental Concerns

Scientific research has shown that certain man-made chemicals can affect the earth's naturally occurring stratospheric ozone layer when released to the atmosphere. In particular, several of the identified chemicals that may affect the ozone layer are refrigerants that contain Chlorine, Fluorine and Carbon (CFCs) and those containing Hydrogen, Chlorine, Fluorine and Carbon (HCFCs). Not all refrigerants containing these compounds have the same potential impact to the environment. Trane advocates the responsible handling of all refrigerants-including industry replacements for CFCs and HCFCs such as saturated or unsaturated HFCs and HCFCs.

Important Responsible Refrigerant Practices

Trane believes that responsible refrigerant practices are important to the environment, our customers, and the air conditioning industry. All technicians who handle refrigerants must be certified according to local rules. For the USA, the Federal Clean Air Act (Section 608) sets forth the requirements for handling, reclaiming, recovering and recycling of certain refrigerants and the equipment that is used in these service procedures. In addition, some states or municipalities may have additional requirements that must also be adhered to for responsible management of refrigerants. Know the applicable laws and follow them.

⚠ WARNING

Proper Field Wiring and Grounding Required!

Failure to follow code could result in death or serious injury.

All field wiring **MUST** be performed by qualified personnel. Improperly installed and grounded field wiring poses **FIRE** and **ELECTROCUTION** hazards. To avoid these hazards, you **MUST** follow requirements for field wiring installation and grounding as described in NEC and your local/state/national electrical codes.

⚠ WARNING

Personal Protective Equipment (PPE) Required!

Failure to wear proper PPE for the job being undertaken could result in death or serious injury.

Technicians, in order to protect themselves from potential electrical, mechanical, and chemical hazards, **MUST** follow precautions in this manual and on the tags, stickers, and labels, as well as the instructions below:

- Before installing/servicing this unit, technicians **MUST** put on all PPE required for the work being undertaken (Examples; cut resistant gloves/sleeves, butyl gloves, safety glasses, hard hat/bump cap, fall protection, electrical PPE and arc flash clothing). **ALWAYS** refer to appropriate Safety Data Sheets (SDS) and OSHA guidelines for proper PPE.
- When working with or around hazardous chemicals, **ALWAYS** refer to the appropriate SDS and OSHA/GHS (Global Harmonized System of Classification and Labelling of Chemicals) guidelines for information on allowable personal exposure levels, proper respiratory protection and handling instructions.
- If there is a risk of energized electrical contact, arc, or flash, technicians **MUST** put on all PPE in accordance with OSHA, NFPA 70E, or other country-specific requirements for arc flash protection, **PRIOR** to servicing the unit. **NEVER PERFORM ANY SWITCHING, DISCONNECTING, OR VOLTAGE TESTING WITHOUT PROPER ELECTRICAL PPE AND ARC FLASH CLOTHING. ENSURE ELECTRICAL METERS AND EQUIPMENT ARE PROPERLY RATED FOR INTENDED VOLTAGE.**

⚠ WARNING

Follow EHS Policies!

Failure to follow instructions below could result in death or serious injury.

- All Trane personnel must follow the company's Environmental, Health and Safety (EHS) policies when performing work such as hot work, electrical, fall protection, lockout/tagout, refrigerant handling, etc. Where local regulations are more stringent than these policies, those regulations supersede these policies.
- Non-Trane personnel should always follow local regulations.

Copyright

This document and the information in it are the property of Trane, and may not be used or reproduced in whole or in part without written permission. Trane reserves the right to revise this publication at any time, and to make changes to its content without obligation to notify any person of such revision or change.

Trademarks

All trademarks referenced in this document are the trademarks of their respective owners.

Revision History

- Updated high temperature gasket information in Packaged Contents section.
- Added new step called 'Fit gasket in place around flue extension' in the Installation chapter.
- Double and chimney figures are updated in the Installation chapter.
- Added important note in step 7 in the Installation chapter.
- Running edits.

Packaged Contents

- 1 – 2.8 oz. tube of RTV high temperature caulk
- 8 – #10 16 x 3/4 in. self drilling plated steel screws
- 8 – #10-16 x 1/2 in. self tapping stainless steel screws
- 10 – 1/4-14 x 5/8 in. self tapping stainless steel sheet metal screws
- 1 – Rain shield (for B/C cabinets only)
- Flue extension(s):
 - 1 – for 250 to 500 MBh, 2 – for 850 to 1200 MBh
- High temperature gasket:
 - 1 – for 250 to 500 MBh, 2 – for 850 to 1200 MBh

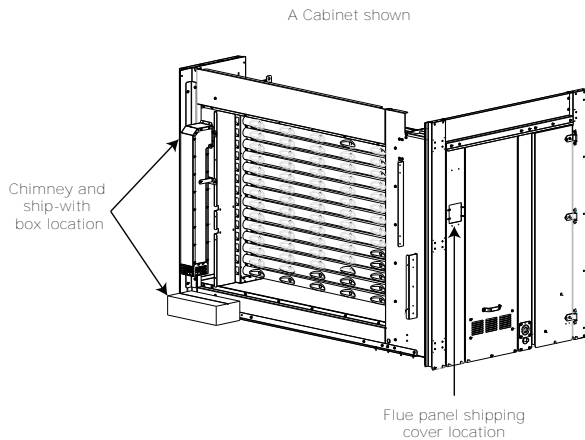
Installation

⚠ WARNING

Hazardous Voltage!
 Failure to disconnect power before servicing could result in death or serious injury. Disconnect all electric power, including remote disconnects before servicing. Follow proper lockout/tagout procedures to ensure the power can not be inadvertently energized. Verify that no power is present with a voltmeter.

1. Remove access panel and flue panel.

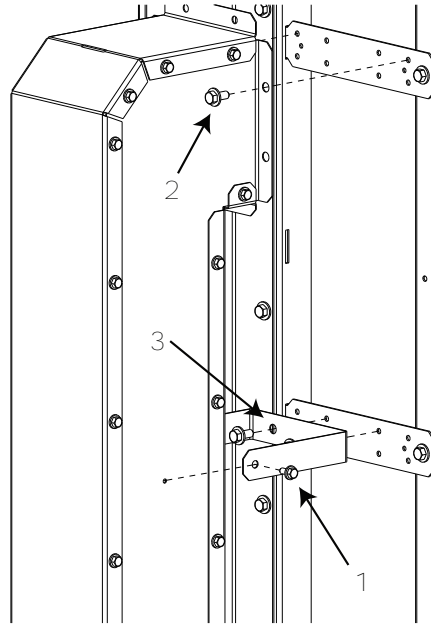
Figure 1. Shipping location of kit



2. Remove shipping cover from flue panel prior to chimney installation.
3. Remove chimney from shipping brackets. see [Figure 1, p. 4](#) for location.

Note: For single chimneys, remove screws in the order shown in [Figure 2, p. 4](#) – the “U” bracket will be used in installation.

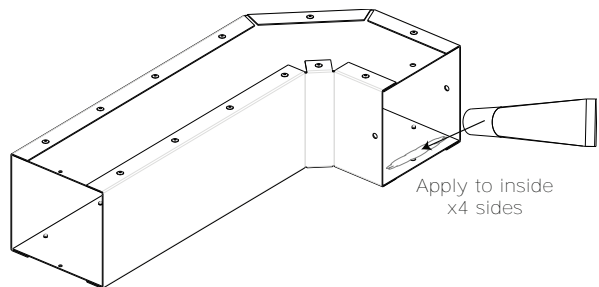
Figure 2. Screw locations



4. Apply high temperature caulk to the inside surface of the short leg of the flue extension(s), as shown in [Figure 3, p. 4](#).

Note: 850MBh and 1200MBh heaters have two flue extensions.

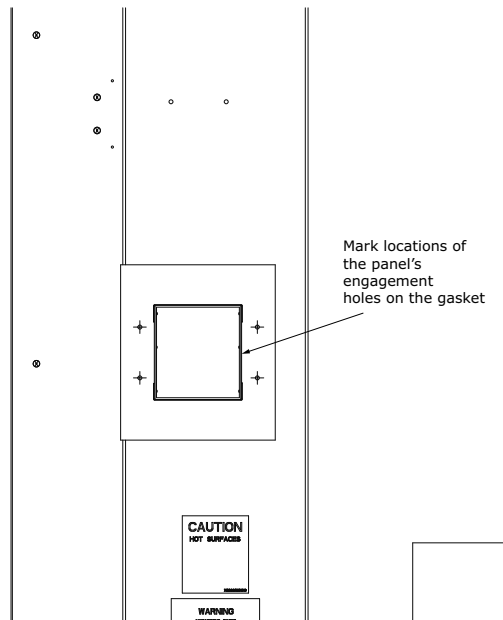
Figure 3. Apply high temperature caulk



5. Install the flue extension(s) by fitting the caulked short leg onto the inducer housing. Secure with the provided #10-16 x 3/4 in. self-drilling plated steel screws (3 per flue extension).
6. Replace flue panel onto unit, ensuring the extension(s) fit through opening(s) in flue panel.
7. Fit gasket(s) in place around flue extension(s) (see [Figure 4, p. 5](#)).

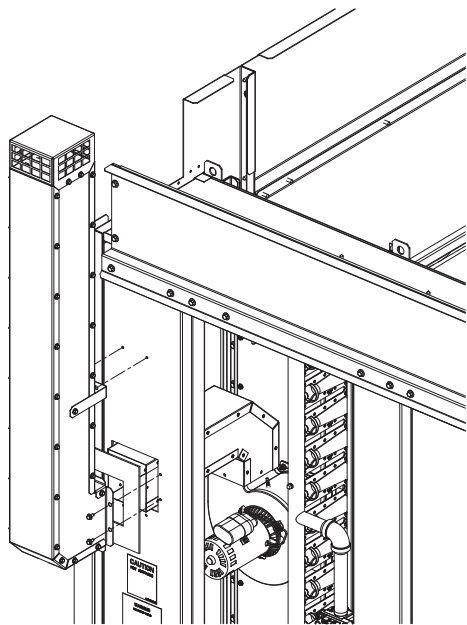
Important: Gasket is not symmetrical. To achieve best fit around flue extension, the gasket's longer length should be in the vertical.

Figure 4. Fit gasket around flue extension



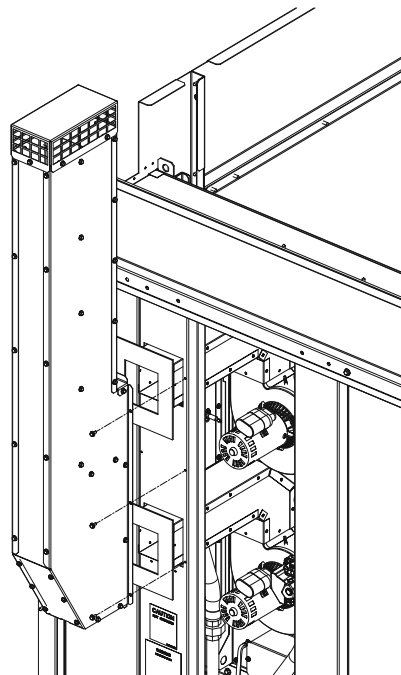
8. Install the chimney onto the flue panel with (6) 1/4-14 x 5/8 in. self-tapping stainless steel sheet metal screws and (2) #10-16 x 1/2 in. self-tapping stainless steel screws for the single flue chimney and "U" bend (see [Figure 5, p. 5](#)); (8) #10-16 x 1/2 in. self-tapping stainless steel screws for the double flue chimney (see [Figure 6, p. 5](#)).

Figure 5. Single chimney



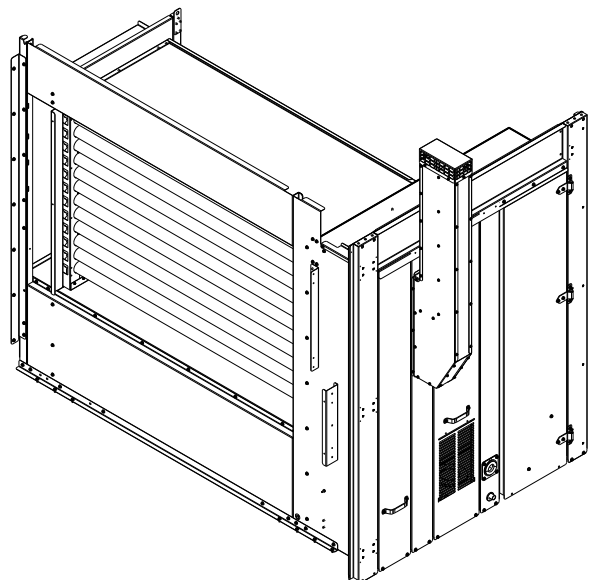
Note: Install screws in the reverse order of removal.

Figure 6. Double chimney

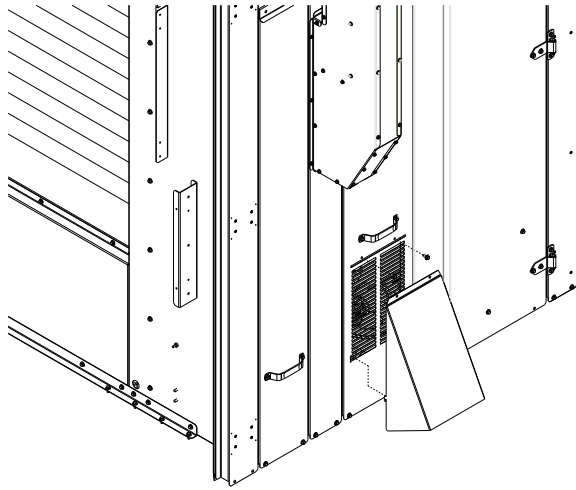


9. For A cabinet units (20-30 ton), replace remaining external panels. Installation for A cabinet is complete.
For B/C cabinet units (40-75 ton), remove the shipping cover from the vented combustion intake panel before replacing the remaining external panels.

Figure 7. B/C panels with double chimney



10. For B/C cabinet units (40-75 ton), install rain shield onto the vented panel with (2) 1/4-14 x 5/8" self-tapping stainless steel sheet metal screws and the hooks on the shield, see [Figure 8, p. 6](#).

Figure 8. Install rain shield

Trane - by Trane Technologies (NYSE: TT), a global innovator - creates comfortable, energy efficient indoor environments for commercial and residential applications. For more information, please visit trane.com or tranetechnologies.com.

Trane has a policy of continuous product and product data improvements and reserves the right to change design and specifications without notice. We are committed to using environmentally conscious print practices.

RT-SVN030C-EN 17 Apr 2020
Supersedes RT-SVN030B-EN (May 2019)

©2020 Trane