



Installation Instructions

Tracer® 10-inch Display



Order Numbers:
X13760358001 (MOD02981) Tracer 10-inch Display

X39641308001

SAFETY WARNING

Only qualified personnel should install and service the equipment. The installation, starting up, and servicing of heating, ventilating, and air-conditioning equipment can be hazardous and requires specific knowledge and training. Improperly installed, adjusted or altered equipment by an unqualified person could result in death or serious injury. When working on the equipment, observe all precautions in the literature and on the tags, stickers, and labels that are attached to the equipment.

March 2022

BAS-SVN222B-EN

©2022 Trane



1

Warnings, Cautions, and Notices

Read this manual thoroughly before operating or servicing this unit. Safety advisories appear throughout this manual as required. Your personal safety and the proper operation of this machine depend upon the strict observance of these precautions.

The three types of advisories are defined as follows:

WARNING

Indicates a potentially hazardous situation which, if not avoided, could result in death or serious injury.

CAUTION

Indicates a potentially hazardous situation which, if not avoided, could result in minor or moderate injury. It could also be used to alert

NOTICE

Indicates a situation that could result in equipment or property-damage only accidents.

Important Environmental Concerns

Scientific research has shown that certain man-made chemicals can affect the earth's naturally occurring stratospheric ozone layer when released to the atmosphere. In particular, several of the identified chemicals that may affect the ozone layer are refrigerants that contain Chlorine, Fluorine and Carbon (CFCs) and those containing Hydrogen, Chlorine, Fluorine and Carbon (HCFCs). Not all refrigerants containing these compounds have the same potential impact to the environment. Trane advocates the responsible handling of all refrigerants-including industry replacements for CFCs such as HCFCs and HFCs.

Important Responsible Refrigerant Practices

Trane believes that responsible refrigerant practices are important to the environment, our customers, and the air conditioning industry. All technicians who handle refrigerants must be certified according to local rules. For the USA, the Federal Clean Air Act (Section 608) sets forth the requirements for handling, reclaiming, recovering and recycling of certain refrigerants and the equipment that is used in these service procedures. In addition, some states or municipalities may have additional requirements that must also be adhered to for responsible management of refrigerants. Know the applicable laws and follow them.

2

WARNING

Proper Field Wiring and Grounding Required!

Failure to follow code could result in death or serious injury. All field wiring MUST be performed by qualified personnel. Improperly installed and grounded field wiring poses FIRE and ELECTROCUTION hazards. To avoid these hazards, you MUST follow requirements for field wiring installation and grounding as described in NEC and your local/state/national electrical codes.

WARNING

Personal Protective Equipment (PPE) Required!

Failure to wear proper PPE for the job being undertaken could result in death or serious injury. Technicians, in order to protect themselves from potential electrical, mechanical, and chemical hazards, MUST follow precautions in this manual and on the tags, stickers, and labels, as well as the instructions below:

- Before installing/servicing this unit, technicians MUST put on all PPE required for the work being undertaken (Examples; cut resistant gloves/sleeves, butyl gloves, safety glasses, hard hat/bump cap, fall protection, electrical PPE and arc flash clothing). ALWAYS refer to appropriate Safety Data Sheets (SDS) and OSHA guidelines for proper PPE.
- When working with or around hazardous chemicals, ALWAYS refer to the appropriate SDS and OSHA/GHS (Global Harmonized System of Classification and Labeling of Chemicals) guidelines for information on allowable personal exposure levels, proper respiratory protection and handling instructions.
- If there is a risk of energized electrical contact, arc, or flash, technicians MUST put on all PPE in accordance with OSHA, NFPA 70E, or other country-specific requirements for arc flash protection, PRIOR to servicing the unit. NEVER PERFORM ANY SWITCHING, DISCONNECTING, OR VOLTAGE TESTING WITHOUT PROPER ELECTRICAL PPE AND ARC FLASH CLOTHING. ENSURE ELECTRICAL METERS AND EQUIPMENT ARE PROPERLY RATED FOR INTENDED VOLTAGE.

3

WARNING

Follow EHS Policies!

Failure to follow instructions below could result in death or serious injury.

- All Trane personnel must follow the company's Environmental, Health and Safety (EHS) policies when performing work such as hot work, electrical, fall protection, lockout/tagout, refrigerant handling, etc. Where local regulations are more stringent than these policies, those regulations supersede these policies.
- Non-Trane personnel should always follow local regulations.

Copyright

This document and the information in it are the property of Trane, and may not be used or reproduced in whole or in part without written permission. Trane reserves the right to revise this publication at any time, and to make changes to its content without obligation to notify any person of such revision or change.

Trademarks

All trademarks referenced in this document are the trademarks of their respective owners.

Mounting the Display

Note: The display is designed for conditioned indoor environments only.

The display mounts to the wall using the anchors and screws provided. Alternately, any standard 75 mm x 75 mm VESA mount shall be acceptable. Bend, tilt, swivel, and any other features are acceptable.

1. Select the wall space to mount the display. Mounting constraints are as follows:
 - a. The display must be powered continuously so mount it near an electrical outlet.
 - b. The display communicates to the controller using either Wi-Fi or Ethernet cable connection. Use standard Wi-Fi guidelines to select the display location.

- c. The display should be accessible for any users that are allowed to make adjustments using the display.
2. Use a small screwdriver to loosen the screw on the top of the display.
3. Use a screwdriver to carefully detach the back cover of the display.
4. Stick the silicon gaskets (provided) on the back cover.
5. With the logo facing the wall, use the anchors and screws (provided) to affix the back cover to the wall.
6. Plug the power cable into the display. Plug the Ethernet cable into the display, when applicable.
7. Reconnect the display to the back cover mounted on the wall.
8. Note the instructions from the display vendor for more mounting information. These instructions are included in the package.

Connecting the Display and Completing the Connection

Connecting the Display depends on the customer's preference. There are several different connection possibilities. Refer to the connection method of choice shown below.

Below are the default connection credentials for the specific connection methods. To edit the display connection settings for Ethernet or Wi-Fi connection, select the **MENU** (☰) icon in the upper left-hand corner of the screen, then **Settings**, then **DEVICE SETTINGS**. From the display options, select **Network & Internet**, then either **Wi-Fi** or **Ethernet**, depending on the connection method. Press the **back arrow** to return to the application. Select **EDIT CONNECTION** to edit the address and user credentials.

For all connection methods, select:

Use Network Connection
 Use Trane Connect Remote Access

1. Ethernet Connection - Direct



Tracer SC+ IP Address (LAN Port 2)
192.168.2.10

Tracer 10-inch Display IP Address
192.168.2.9

IP Address 192.168.2.10	IP Address 192.168.2.10
User Name Installer	User Name Display1
Password Tracer	Password Tracer
Technician Default	Customer Default

2. Ethernet Connection – Using the Customer's Network



Tracer SC+ IP Address (LAN Port 1)
Provided by Customer

Tracer 10-inch Display IP Address
Provided by Customer

IP Address Provided by Customer	IP Address Provided by Customer
User Name Installer	User Name Display1
Password Tracer	Password Tracer
Technician Default	Customer Default

3. Wi-Fi Connection – Host Mode at Tracer SC+

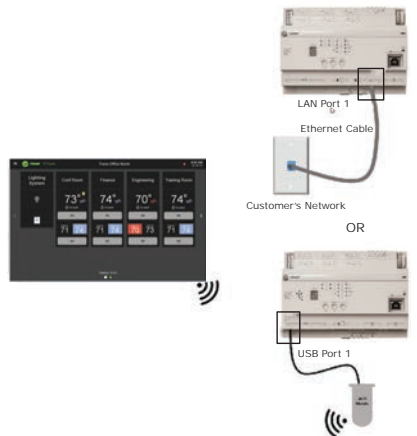


Tracer SC+ IP Address (USB Port 1) - Host
198.80.18.65

Tracer 10-inch Display IP Address
Determined via DHCP

IP Address 198.80.18.65	IP Address 198.80.18.65
User Name Installer	User Name Display1
Password Tracer	Password Tracer
Technician Default	Customer Default

4. Wi-Fi Connection - Using the Customer's Network or Client Mode at Tracer SC+



Tracer SC+ IP Address
Provided by Customer

Tracer 10-inch Display IP Address
Provided by Customer

IP Address Provided by Customer	IP Address Provided by Customer
User Name Installer	User Name Display1
Password Tracer	Password Tracer
Technician Default	Customer Default

Trane - by Trane Technologies (NYSE: TT), a global climate innovator - creates comfortable, energy efficient indoor environments for commercial and residential applications. For more information, please visit trane.com or tranetechnologies.com.

Trane has a policy of continuous product and product data improvement and reserves the right to change design and specifications without notice. We are committed to using environmentally conscious print practices.