



## Installation Instructions

# Trane® USB Cellular Module

**⚠ SAFETY WARNING**

Only qualified personnel should install and service the equipment. The installation, starting up, and servicing of heating, ventilating, and air-conditioning equipment can be hazardous and requires specific knowledge and training. Improperly installed, adjusted or altered equipment by an unqualified person could result in death or serious injury. When working on the equipment, observe all precautions in the literature and on the tags, stickers, and labels that are attached to the equipment.

May 2024

BAS-SVN213B-EN

©2024 Trane



1

## Warnings, Cautions, and Notices

Read this manual thoroughly before operating or servicing this unit. Safety advisories appear throughout this manual as required. Your personal safety and the proper operation of this machine depend upon the strict observance of these precautions.

The three types of advisories are defined as follows:

**⚠ WARNING**

Indicates a potentially hazardous situation which, if not avoided, could result in death or serious injury.

**⚠ CAUTION**

Indicates a potentially hazardous situation which, if not avoided, could result in minor or moderate injury. It could also be used to alert against unsafe practices.

**NOTICE**

Indicates a situation that could result in equipment or property-damage only accidents.

### Important Environmental Concerns

Scientific research has shown that certain man-made chemicals can affect the earth's naturally occurring stratospheric ozone layer when released to the atmosphere. In particular, several of the identified chemicals that may affect the ozone layer are refrigerants that contain Chlorine, Fluorine and Carbon (CFCs) and those containing Hydrogen, Chlorine, Fluorine and Carbon (HCFCs). Not all refrigerants containing these compounds have the same potential impact to the environment. Trane advocates the responsible handling of all refrigerants.

### Important Responsible Refrigerant Practices

Trane believes that responsible refrigerant practices are important to the environment, our customers, and the air conditioning industry. All technicians who handle refrigerants must be certified according to local rules. For the USA, the Federal Clean Air Act (Section 608) sets forth the requirements for handling, reclaiming, recovering and recycling of certain refrigerants and the equipment that is used in these service procedures. In addition, some states or municipalities may have additional requirements that must also be adhered to for responsible management of refrigerants. Know the applicable laws and follow them.

2

**⚠ WARNING**

### Proper Field Wiring and Grounding Required!

Failure to follow code could result in death or serious injury. All field wiring MUST be performed by qualified personnel. Improperly installed and grounded field wiring poses FIRE and ELECTROCUTION hazards. To avoid these hazards, you MUST follow requirements for field wiring installation and grounding as described in NEC and your local/state/national electrical codes.

**⚠ WARNING**

### Personal Protective Equipment (PPE) Required!

Failure to wear proper PPE for the job being undertaken could result in death or serious injury. Technicians, in order to protect themselves from potential electrical, mechanical, and chemical hazards, MUST follow precautions in this manual and on the tags, stickers, and labels, as well as the instructions below:

- Before installing/servicing this unit, technicians MUST put on all PPE required for the work being undertaken (Examples; cut resistant gloves/sleeves, butyl gloves, safety glasses, hard hat/bump cap, fall protection, electrical PPE and arc flash clothing). ALWAYS refer to appropriate Safety Data Sheets (SDS) and OSHA guidelines for proper PPE.
- When working with or around hazardous chemicals, ALWAYS refer to the appropriate SDS and OSHA/GHS (Global Harmonized System of Classification and Labeling of Chemicals) guidelines for information on allowable personal exposure levels, proper respiratory protection and handling instructions.
- If there is a risk of energized electrical contact, arc, or flash, technicians MUST put on all PPE in accordance with OSHA, NFPA 70E, or other country-specific requirements for arc flash protection, PRIOR to servicing the unit. NEVER PERFORM ANY SWITCHING, DISCONNECTING, OR VOLTAGE TESTING WITHOUT PROPER ELECTRICAL PPE AND ARC FLASH CLOTHING. ENSURE ELECTRICAL METERS AND EQUIPMENT ARE PROPERLY RATED FOR INTENDED VOLTAGE.

3

**⚠ WARNING**

### Follow EHS Policies!

Failure to follow instructions below could result in death or serious injury.

- All Trane personnel must follow the company's Environmental, Health and Safety (EHS) policies when performing work such as hot work, electrical, fall protection, lockout/tagout, refrigerant handling, etc. Where local regulations are more stringent than these policies, those regulations supersede these policies.
- Non-Trane personnel should always follow local regulations.

## Copyright

This document and the information in it are the property of Trane, and may not be used or reproduced in whole or in part without written permission. Trane reserves the right to revise this publication at any time, and to make changes to its content without obligation to notify any person of such revision or change.

## Trademarks

All trademarks referenced in this document are the trademarks of their respective owners.

## Revision History

Power specifications updated.

4

The Trane USB Cellular Module (equipped with a USB cable) enables Tracer® communication with Trane Intelligent Services. The modem will support Intelligent Services data collection and remote access.

#### Packaged Contents

- One (1) Trane Cellular Module
- One (1) USB cable
- One (1) installation sheet
- One (1) wall bracket with mounting hardware (optional)

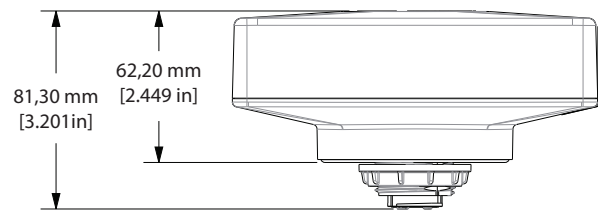
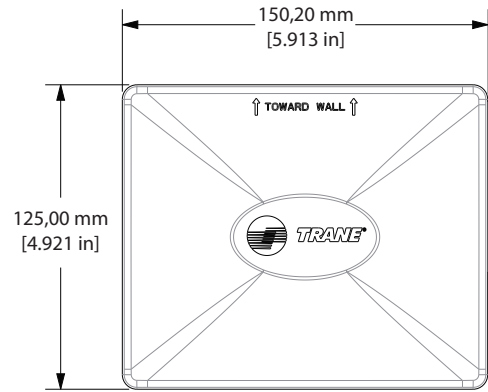
#### Specifications

**Table 1. USB Cellular Module specifications**

Storage Environment	
Temperature	-67°F to +185°F (-55°C to +85°C)
Operation Environment	
Temperature	-40°F to +158°F (-40°C to +70°C)
Humidity	5% to 100% RH (condensing)
Ingress Protection	IP56
Power	5V @ 500mA from the USB Host port
Mounting	1 in. knockout
Product Weight	0.2kg (0.4lb)
Installation	Category 3
Purpose of Control	Operating control
Construction of Control	Independently mounted control
Pollution Degree	2
Impulse Voltage	330 V

5

#### Dimensions



6

#### Installing the USB Cellular Module

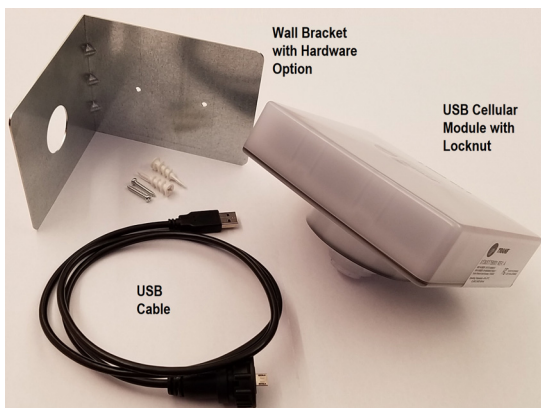
**Note:** The USB Cellular Module fits through a 1-inch conduit opening.

1. Depending on your site installation, insert the USB Cellular Module into a 1-inch knockout or conduit.
2. Mount with arrow on top of the module pointing towards the wall.
3. Tighten the nut prior to connecting the USB cable.
  - General applications: Tighten as needed to achieve 15 to 25% compression of the gasket. Acceptable compressed gasket thickness: 1.19 to 1.35 mm (0.047 to 0.053 inch).
  - Moisture-resistant applications: Use of a torque wrench is required (X14088509001 wrench or similar). Required torque: 2.6 +/- 0.2 N-m (23.2 +/- 2.0 in-lbf). Remember to take into consideration the extended lever arm length of the X14088509001 wrench when determining the torque measured by the torque wrench.

**Note:** For all applications, do not exceed specific torque.

4. Connect the USB cable to the USB Cellular Module by lining up the connector, then pressing together and twisting the locking bushing a quarter turn to the right.
5. Connect the other end of the USB cable to a USB port on the controller.

**Figure 1. USB Cellular Module kit components**



7

#### Agency Listings and Compliance

##### FCC Compliance

This device complies with part 15 of the FCC Rules. Operation is subject to the following two conditions:  
 (1) This device may not cause harmful interference, and  
 (2) This device must accept any interference received, including interferences that may cause undesired operation.

##### United States Compliance

UL Listed - UL 60730-1

##### Canadian Compliance

CUL Listed - CAN/CSA -E60730-1

Trane - by Trane Technologies (NYSE: TT), a global climate innovator - creates comfortable, energy efficient indoor environments for commercial and residential applications. For more information, please visit [trane.com](http://trane.com) or [tranetechnologies.com](http://tranetechnologies.com). Trane and American Standard create

Trane and American Standard have a policy of continuous product and product data improvement and reserves the right to change design and specifications without notice. We are committed to using environmentally conscious print practices.