



Installation Instructions

Tracer® System Controller Service Part

Order Numbers:
MOD02957

Packaged Contents

- One (1) System Controller module
- One (1) Installation sheet

SAFETY WARNING

Only qualified personnel should install and service the equipment. The installation, starting up, and servicing of heating, ventilating, and air-conditioning equipment can be hazardous and requires specific knowledge and training. Improperly installed, adjusted or altered equipment by an unqualified person could result in death or serious injury. When working on the equipment, observe all precautions in the literature and on the tags, stickers, and labels that are attached to the equipment.

August 2020

BAS-SVN207B-EN

© 2020 Trane



1 Warnings, Cautions, and Notices

Read this manual thoroughly before operating or servicing this unit. Safety advisories appear throughout this manual as required. Your personal safety and the proper operation of this machine depend upon the strict observance of these precautions.

The three types of advisories are defined as follows:

- WARNING** Indicates a potentially hazardous situation which, if not avoided, could result in death or serious injury.
- CAUTION** Indicates a potentially hazardous situation which, if not avoided, could result in minor or moderate injury. It could also be used to alert against unsafe equipment or property-damage only accidents.
- NOTICE** Indicates a situation that could result in equipment or property-damage only accidents.

Important Environmental Concerns

Scientific research has shown that certain man-made chemicals can affect the earth's naturally occurring stratospheric ozone layer when released to the atmosphere. In particular, several of the identified chemicals that may affect the ozone layer are refrigerants that contain Chlorine, Fluorine and Carbon (CFCs) and those containing Hydrogen, Chlorine, Fluorine and Carbon (HCFCs). Not all refrigerants containing these compounds have the same potential impact to the environment. Trane advocates the responsible handling of all refrigerants-including industry replacements for CFCs such as HCFCs and HFCs.

Important Responsible Refrigerant Practices

Trane believes that responsible refrigerant practices are important to the environment, our customers, and the air conditioning industry. All technicians who handle refrigerants must be certified according to local rules. For the USA, the Federal Clean Air Act (Section 608) sets forth the requirements for handling, reclaiming, recovering and recycling of certain refrigerants and the equipment that is used in these service procedures. In addition, some states or municipalities may have additional requirements that must also be adhered to for responsible management of refrigerants. Know the applicable laws and follow them.

2 WARNING

Proper Field Wiring and Grounding Required!
Failure to follow code could result in death or serious injury. All field wiring MUST be performed by qualified personnel. Improperly installed and grounded field wiring poses FIRE and ELECTROCUTION hazards. To avoid these hazards, you MUST follow requirements for field wiring installation and grounding as described in NEC and your local/state electrical codes.

WARNING

Personal Protective Equipment Required!
Installing/servicing this unit could result in exposure to electrical, mechanical and chemical hazards. Before installing/servicing this unit, technicians MUST put on all Personal Protective Equipment (PPE) recommended for the work being undertaken. ALWAYS refer to appropriate SDS sheets and OSHA guidelines for proper PPE. When working with or around hazardous chemicals, ALWAYS refer to the appropriate SDS sheets and OSHA guidelines for information on allowable personal exposure levels, proper respiratory protection and handling recommendations. If there is a risk of arc or flash, technicians MUST put on all necessary Personal Protective Equipment (PPE) in accordance with NFPA70E for arc/flash protection PRIOR to servicing the unit. Failure to follow recommendations could result in death or serious injury.

WARNING

Follow EHS Policies!
Failure to follow instructions below could result in death or serious injury.

- All Trane personnel must follow the company's Environmental, Health and Safety (EHS) policies when performing work such as hot work, electrical, fall protection, lockout/tagout, refrigerant handling, etc. Where local regulations are more stringent than these policies, those regulations supersede these policies.
- Non-Trane personnel should always follow local regulations.

Required Tools

- 5/16 in. (8 mm) slotted screwdriver
- 1/8 in. (3 mm) slotted screwdriver

3 Specifications

Table 1. System Controller specifications

Power Requirements	
24 Vdc @ 0.4A; OR 24 Vac @ 30 VA. Class 2 power source only	
Storage	
Temperature:	-55°C to 85°C (-67°F to 185 °F)
Relative humidity:	Between 5% to 95% (non-condensing)
Operating Environment	
Temperature:	-40°C to 50°C (-40°F to 122°F)
Humidity:	Between 10% to 90% (non-condensing)
Product weight	1 kg (2.2 lb.)
Altitude:	Maximum 2,000 m (6,500 ft.)
Installation:	Category 3
Pollution	Degree 2

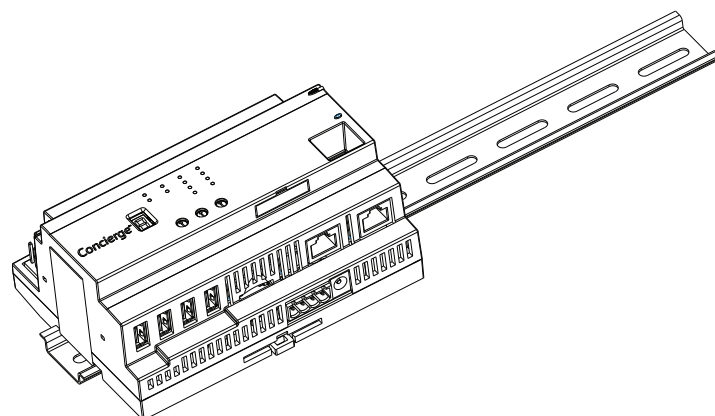
Mounting the System Controller

- The mounting location must meet the temperature and humidity specifications as outlined in Table 1.
- Do not mount on a flat surface, such as on a floor or on top of a table. Mount in an upright position with the front facing outward.

To mount the System Controller:

1. Hook the top half of the System Controller onto the DIN rail.
2. Gently push on the lower half of the System Controller until the release clip snaps into place.

4 Figure 1. Mounting the System Controller

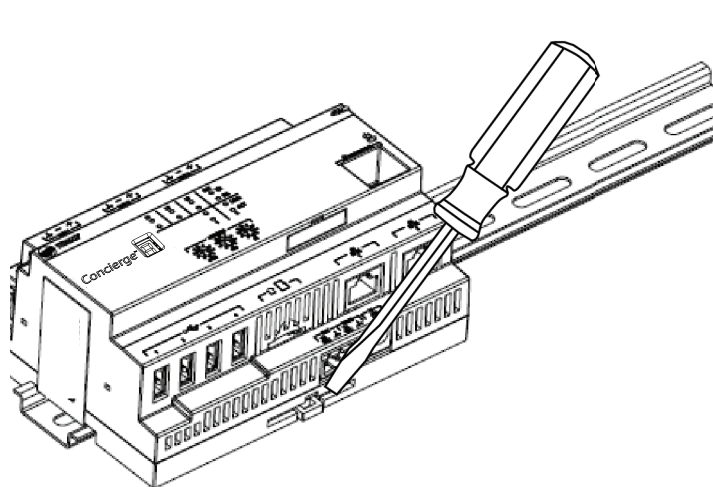


Removing or Repositioning the System Controller

To remove or reposition the System Controller:

1. Insert a screwdriver into the slotted release clip and gently pry upward on the clip with the screwdriver, **OR**; If the screwdriver fits the slot size, insert the screwdriver into the slotted release clip and rotate it to the left or right to release tension on the clip.
2. While holding tension on the slotted release clip, lift the System Controller upward to remove or reposition.
3. If repositioning, push on the System Controller until the slotted release clip snaps back into place.

5 Figure 2. Removing the System Controller



Reapplying Wiring and Applying Power

The System Controller can be powered one of two ways:

- External 24 Vdc Power adapter
- Transformer (wire 24 Vac to the 4-position terminal block)

External 24 Vdc Power Adapter

1. Connect the power adapter to a standard power receptacle, such as a wall outlet.
2. Connect the barrel end of the power supply to the 24 Vdc input of the System Controller.
3. Ensure that the System Controller is properly grounded.

Important: This device must be grounded for proper operation! The factory-supplied ground wire must be connected from any chassis ground connection on the device to an appropriate earth ground.

Note: The System Controller is NOT grounded through the DIN rail connection.

4. Apply power to the System Controller by pressing the power button. All status LEDs illuminate and the following sequence flashes on the 7-segment display: 8, 7, 5, 4, L, dancing dash pattern. The dancing dashes continue while the System Controller is operating normally.

Transformer

This procedure involves wiring 24 Vac to the 4-position terminal block on the System Controller.

1. Using the provided 4-position terminal block, wire the 24 Vac input connection of the System Controller to a dedicated 24 Vac, Class 2 transformer.
2. Ensure that the System Controller is properly grounded.

Important: This device must be grounded for proper operation! The factory-supplied ground wire must be connected from any chassis ground connection on the device to an appropriate earth ground. The chassis ground connection can be the 24 Vac transformer input at the device, or any other chassis ground connection on the device.

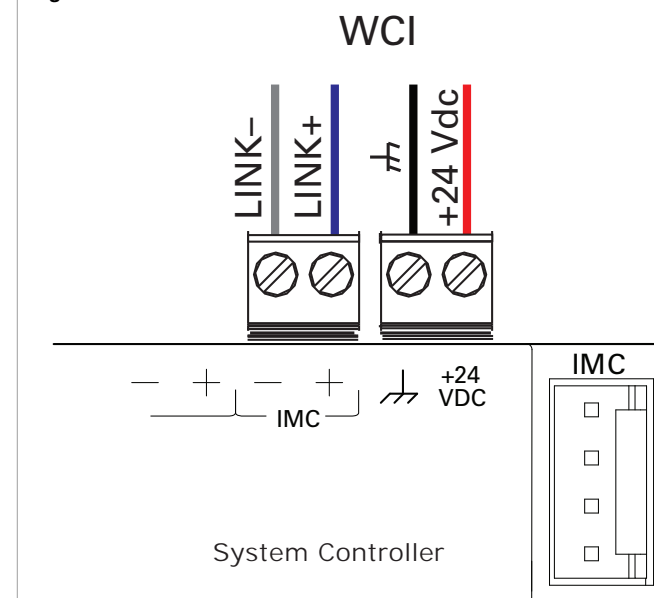
Note: The Tracer System Controller is NOT grounded through the DIN rail connection.

3. Apply power to the System Controller by pressing the power button. All status LEDs illuminate and the following sequence flashes on the 7-segment display: 8, 7, 5, 4, L, dancing dash pattern. The dancing dashes continue while the System Controller is operating normally.

7 Reconnect Wiring or Air-Fi® to System Controller

Connect the WCI to the System Controller as shown in Figure 3.

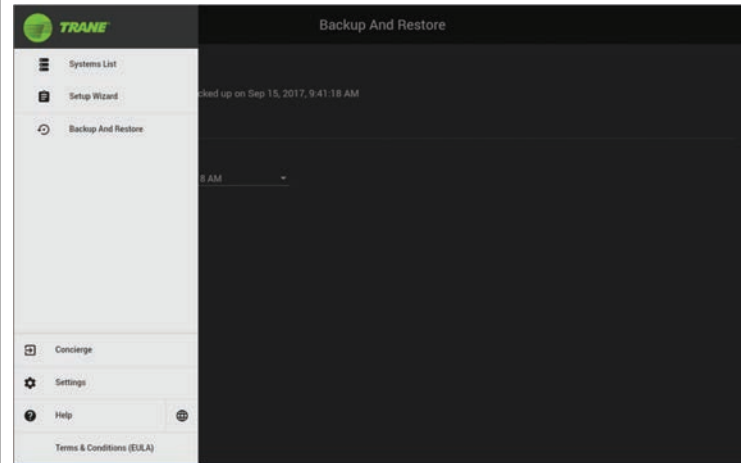
Figure 3. WCI connection



Restore Backup

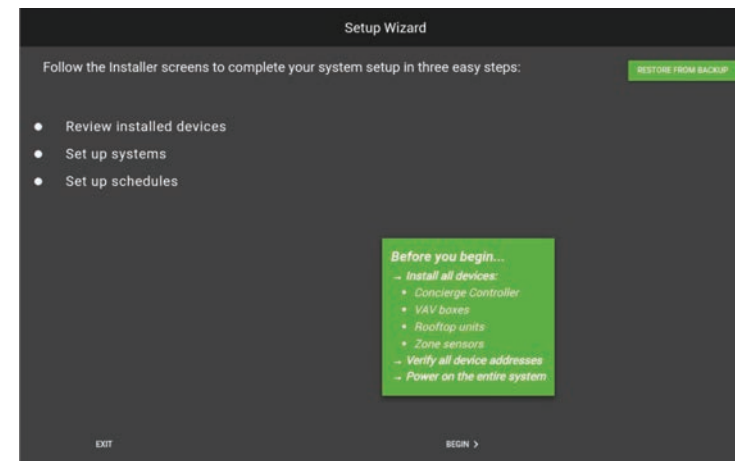
1. If the previous controller had an SD card, move the SD card to the new controller.
2. From the left-hand menu, tap **Backup and Restore**.

Figure 4. Backup and restore from menu



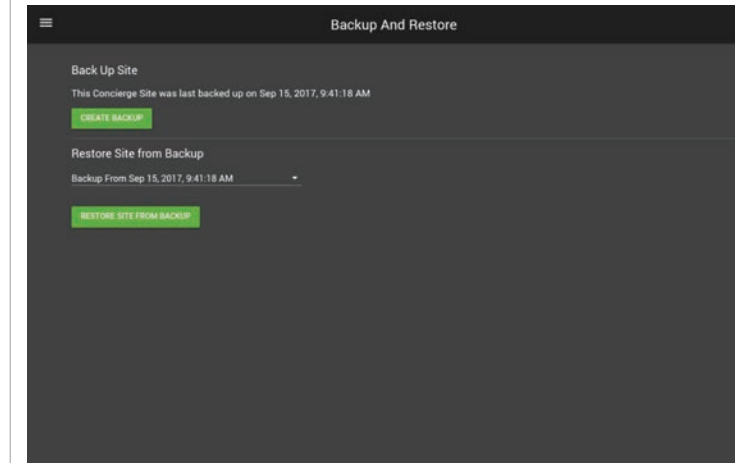
Or select **Restore from Backup** during the setup process.

Figure 5. Restore from backup



3. Tap **Restore Site from Backup**.

Figure 6. Restore site from backup



Agency Listings and Compliance

The European Union (EU) Declaration of Conformity is available from your local Trane® office.

Trane - by Trane Technologies (NYSE: TT), a global climate innovator - creates comfortable, energy efficient indoor environments for commercial and residential applications. For more information, please visit trane.com or tranetechnologies.com.

Trane has a policy of continuous product and product data improvement and reserves the right to change design and specifications without notice. We are committed to using environmentally conscious print practices.