



Installation Instructions Wired Display Sensor



Model Numbers: X13790886010, -6020, -6030, -6040, and -6050

X39641119-01

SAFETY WARNING

Only qualified personnel should install and service the equipment. The installation, starting up, and servicing of heating, ventilating, and air-conditioning equipment can be hazardous and requires specific knowledge and training. Improperly installed, adjusted or altered equipment by an unqualified person could result in death or serious injury. When working on the equipment, observe all precautions in the literature and on the tags, stickers, and labels that are attached to the equipment.

The three types of advisories are defined as follows:

- WARNING** Indicates a potentially hazardous situation which, if not avoided, could result in death or serious injury.
- CAUTION** Indicates a potentially hazardous situation which, if not avoided, could result in minor or moderate injury. It could also be used to alert against unsafe practices.
- NOTICE** Indicates a situation that could result in equipment or property-damage only accidents.

June 2020

BAS-SVN190D-EN

© 2020 Trane



1

Power off!

2

3

4

RJ11 (RJ22 compatible) communication jack for connecting service tool

11	24 VAC/VDC
10	(GROUND)
9	S1 REMOTE TEMP SENSOR
8	S2 REMOTE TEMP SENSOR
7	COMM-
6	COMM+
5	HEAT SETPOINT (HSP)
4	SYS/FAN MODE (MODE)
3	SETPOINT
2	SIGNAL COMMON (COMMON)
1	ZONE TEMPERATURE (ZONE TEMP)

Jumper is installed from factory to display local temperature reading. To enable external sensor option, move jumper to "Ext" location.

Local

If jumper is positioned as shown here, the display shows the local temperature sensor reading (default).

Ext

If jumper is positioned as shown here, the display shows the external temperature sensor reading.

Note: Unit controller inputs for system status, fan status, and service required are not available on this sensor. If replacing a BAYSENS031A or BAYSENS035A sensor, and status indicators are required, replace with non-display sensor BAYSENS109A or BAYSENS110A.

5

Power on.

6

Press configuration button for 3 seconds

03 Sec.

Configuration mode (🔧)

Follow steps 7 through 16 in the order presented • Press or to scroll to next selection • Press or to confirm selection and move to next menu

7 Press to begin.

8 temperature

9 Setpoint

10 Dead band (db) dual setpoint only

heat/cool setpoint offset
(2.0°F – 10.8°F, 1.1°C – 6°C)

11a System – Single Setpoint = OFF

12 Fan (Not all fan options are available for all systems.)

11b System – Dual Setpoint

11c System – No Setpoint

13 Occupancy (timed override)

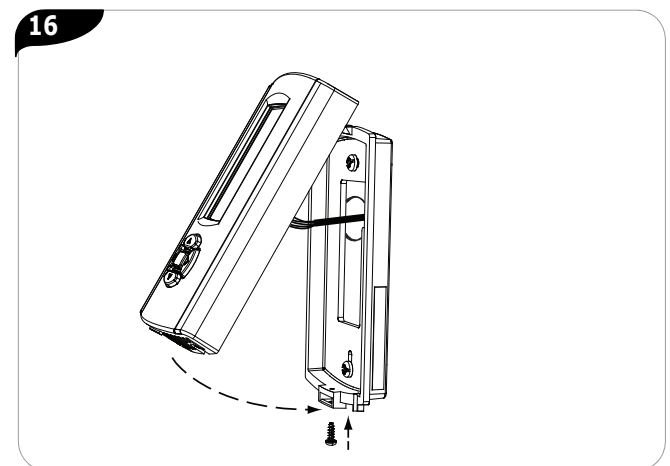
For service pin request, see the current version of BAS-SVX10.

14 Setting Summary

15 Return to operating mode

Press configuration button (see step 6).

Sensor will revert to operating mode if no buttons are pressed for 10 min.



17 CE Declaration of Conformity

Manufacturer: Trane
4833 White Bear Parkway
Saint Paul, MN 55103, USA

Product: Wired display sensor

Model number: X1379088601
X1379088604
X1379088605

The manufacturer hereby declares that the product conforms to the following:

Electromagnetic Emission: Council Directive 89/336/EEC
EN61326-1:2006, Class B limit
Radiated EN55011:2006, Class B limit
Conducted EN55011:2006, Class B limit
Harmonic EN61000-3-2, Class A limit
Flicker EN61000-3-3:1995
+A1:2001 +A2:2006

Electromagnetic Immunity for Industrial: by Council Directive 89/336/EEC
EN61326-1:2006
EN61000-2:2006, ±4.0 kV by contact, ±8.0 kV by air
EN61000-4-3:2006, ±1.0 kV signal lines, ±2.0 kV ac power lines
EN61000-4-5:2006, ±1.0 kV signal lines, ±2.0 kV ac power lines
EN61000-4-6:2006, 3 V
EN61000-4-11:2006

Date of issue: October 14, 2008

European Contact: Société Trane (Epinal, France)
1, rue des Ameriques, B.P. 6
F-88191 Golbey Cedex, France
Phone: (33) 329.31.73.00
Fax: (33) 329.81.24.98

Design/Compliance Engineer: Robert Jacobs

Display Setpoint → or Temperature

A

Begin here →

Operating mode Home screen

B

Press up and down arrows for 3 seconds.

Setpoint Temperature

Lock or unlock settings (🔒)

1. Begin in operating mode.
2. Choose feature to lock or unlock.
3. Lock or unlock feature by pressing left and right arrows for 4 seconds

Error Codes

If an error code appears, view definitions in the current version of BAS-SVX10.

Trane - by Trane Technologies (NYSE: TT), a global climate innovator - creates comfortable, energy efficient indoor environments for commercial and residential applications. For more information, please visit trane.com or tranetechnologies.com.

Trane has a policy of continuous product and product data improvement and reserves the right to change design and specifications without notice. We are committed to using environmentally conscious print practices.