



Installation Instructions

Replacing the Key Lock on the Tracer™ Large Enclosure

Ordering Number: S3090070262

For use with the following models:

X13651552-01	Solid Door (120 VAC)
X13651553-01	Display Capable Door (120 VAC)
X13651554-01	Solid Door (230 VAC)
X13651555-01	Display Capable Door (230 VAC)

X39641216-01

SAFETY WARNING

Only qualified personnel should install and service the equipment. The installation, starting up, and servicing of heating, ventilating, and air-conditioning equipment can be hazardous and requires specific knowledge and training. Improperly installed, adjusted or altered equipment by an unqualified person could result in death or serious injury. When working on the equipment, observe all precautions in the literature and on the tags, stickers, and labels that are attached to the equipment.

June 2020

BAS-SVN096B-EN



© 2020 Trane

1

Warnings, Cautions, and Notices

Read this manual thoroughly before operating or servicing this unit. Safety advisories appear throughout this manual as required. Your personal safety and the proper operation of this machine depend upon the strict observance of these precautions.

The three types of advisories are defined as follows:

WARNING

Indicates a potentially hazardous situation which, if not avoided, could result in death or serious injury.

CAUTION

Indicates a potentially hazardous situation which, if not avoided, could result in minor or moderate injury. It could also be used to alert

NOTICE

Indicates a situation that could result in equipment or property-damage only accidents.

Packaged Contents

- One (1) key lock assembly
- Two (2) keys

Required Tools

- Phillips screw driver (no. 2)

2

WARNING

Hazardous Voltage!

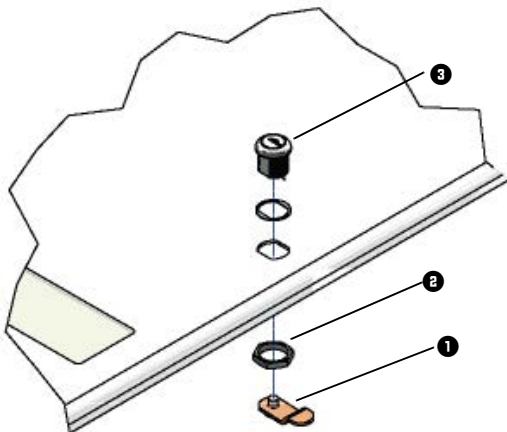
Disconnect all electrical power, including remote disconnects, before servicing. Follow proper lockout/tagout procedures to ensure the power cannot be inadvertently energized. Failure to disconnect power before servicing could result in death or serious injury.

Removing the Lock from the Enclosure Door

To remove the lock:

1. Using a Phillips screw driver, loosen and remove the screw and cam **1** from the back of key lock.
2. Remove the ring nut **2**.
3. Remove the key lock **3** from the enclosure door.

Figure 1. Removing the lock



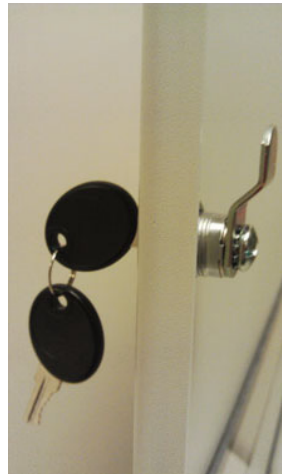
3

Installing the Lock on the Enclosure Door

To install the lock:

1. Separate the ring nut, screw, and cam, taking care to prevent the lock cylinder from falling out.
2. Insert the key lock into the front of the enclosure door with the key teeth facing toward the top of the door.
3. On the back of the door install the ring nut and the cam. Position the cam so that the long side is facing toward the top of the door.
4. Insert the screw through the cam; tighten using a Phillips screw driver.

Figure 2. Properly installed key lock



Trane - by Trane Technologies (NYSE: TT), a global climate innovator - creates comfortable, energy efficient indoor environments for commercial and residential applications. For more information, please visit trane.com or tranetechnologies.com.

Trane has a policy of continuous product and product data improvement and reserves the right to change design and specifications without notice. We are committed to using environmentally conscious print practices.

BAS-SVN096B-EN 11 Jun 2020
Supersedes X39641216-01A (Feb 2012)

©2020 Trane