



Installation Instructions

Replacing the Base Metal Enclosure for the Tracer® Large Enclosure

Ordering numbers:

S3090064662 (120 Vac Enclosure)

S3090064762 (230 Vac Enclosure)

X39641202-01

SAFETY WARNING

Only qualified personnel should install and service the equipment. The installation, starting up, and servicing of heating, ventilating, and air-conditioning equipment can be hazardous and requires specific knowledge and training. Improperly installed, adjusted or altered equipment by an unqualified person could result in death or serious injury. When working on the equipment, observe all precautions in the literature and on the tags, stickers, and labels that are attached to the equipment.

June 2020

BAS-SVN092B-EN

TRANE
TECHNOLOGIES

© 2020 Trane

1

Warnings, Cautions, and Notices

Read this manual thoroughly before operating or servicing this unit. Safety advisories appear throughout this manual as required. Your personal safety and the proper operation of this machine depend upon the strict observance of these precautions.

The three types of advisories are defined as follows:

WARNING

Indicates a potentially hazardous situation which, if not avoided, could result in death or serious injury.

CAUTION

Indicates a potentially hazardous situation which, if not avoided, could result in minor or moderate injury. It could also be used to alert

NOTICE

Indicates a situation that could result in equipment or property-damage only accidents.

Packaged Contents

- One (1) base metal enclosure
- One (1) installation sheet

Required Tools

- Phillips screwdriver (no. 2 recommended)

2

WARNING

Hazardous Voltage!

Disconnect all electric power, including remote disconnects, before servicing. Follow proper lockout and/or tagout procedures to ensure the power cannot be inadvertently energized. Failure to disconnect power before servicing could result in serious injury or death.

Removing the Old Base Metal Enclosure

1. Disconnect power at the circuit breaker and perform lockout/tagout procedures.
2. Disconnect the secondary power from the unit controllers.

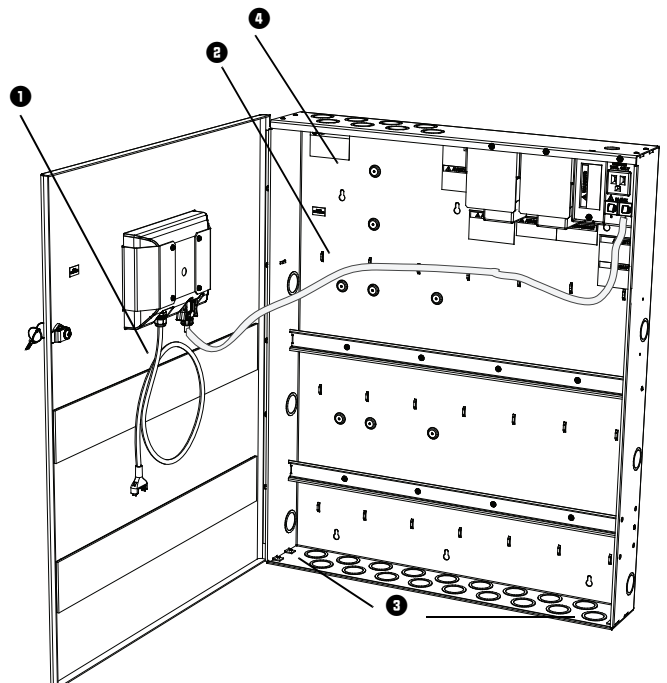
Steps 3 and 4 apply only to Tracer large enclosure doors that have the TD7 display.

3. Disconnect TD7 power cable from the power connector.
4. Disconnect the Ethernet cable that is connected to the TD7.
5. Remove the metal enclosure door; set aside.
6. Disconnect termination wiring and remove controllers from the DIN rail.
7. Remove conduit connections.
8. Remove the backplate mounting screws (save screws for new mounting).
9. Remove the base metal enclosure from the wall.

3

Figure 1. Removing contents from old base enclosure

- 1 Ethernet cable
- 2 TD7 Power cable
- 3 Conduit connections
- 4 Backplate mounting hole (6 places)



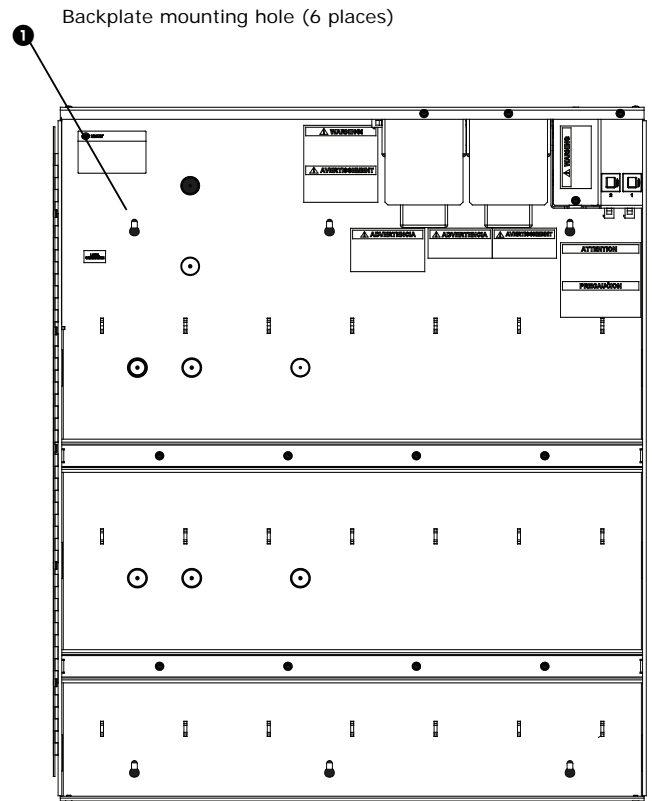
4

Installing the Base Metal Enclosure

1. Mount the new base metal enclosure by using the mounting screws from the old enclosure.
2. Reinstall the door and reconnect the TD7 display (if applicable).
3. Reinstall all contents into the enclosure:
 - Pull conduit wiring through conduit holes and reconnect.
 - Reinstall controllers.
 - Reconnect termination wiring.
 - Reinstall high voltage wiring.
4. Restore power.
5. Recommission the controllers.

5

Figure 2. New base metal enclosure



Trane - by Trane Technologies (NYSE: TT), a global climate innovator - creates comfortable, energy efficient indoor environments for commercial and residential applications. For more information, please visit trane.com or tranetechnologies.com.

Trane has a policy of continuous product and product data improvement and reserves the right to change design and specifications without notice. We are committed to using environmentally conscious print practices.