



Installation Instructions

Replacing the Door on the Tracer® Large Enclosure

Ordering Numbers:

S3090064462 (w/o operator display opening)

S3090064562 (with operator display opening)

X39641201-01

SAFETY WARNING

Only qualified personnel should install and service the equipment. The installation, starting up, and servicing of heating, ventilating, and air-conditioning equipment can be hazardous and requires specific knowledge and training. Improperly installed, adjusted or altered equipment by an unqualified person could result in death or serious injury. When working on the equipment, observe all precautions in the literature and on the tags, stickers, and labels that are attached to the equipment.

June 2020

BAS-SVN091B-EN

TRANE
TECHNOLOGIES

© 2020 Trane

1

Warnings, Cautions, and Notices

Read this manual thoroughly before operating or servicing this unit. Safety advisories appear throughout this manual as required. Your personal safety and the proper operation of this machine depend upon the strict observance of these precautions.

The three types of advisories are defined as follows:

WARNING

Indicates a potentially hazardous situation which, if not avoided, could result in death or serious injury.

CAUTION

Indicates a potentially hazardous situation which, if not avoided, could result in minor or moderate injury. It could also be used to alert

NOTICE

Indicates a situation that could result in equipment or property-damage only accidents.

Packaged Contents

- One (1) Tracer large enclosure door
- Five (5) M4 screws
- One copy of the installation instructions

2

WARNING

Hazardous Voltage!

Disconnect all electrical power, including remote disconnects, before servicing. Follow proper lockout/tagout procedures to ensure the power cannot be inadvertently energized. Failure to disconnect power before servicing could result in death or serious injury.

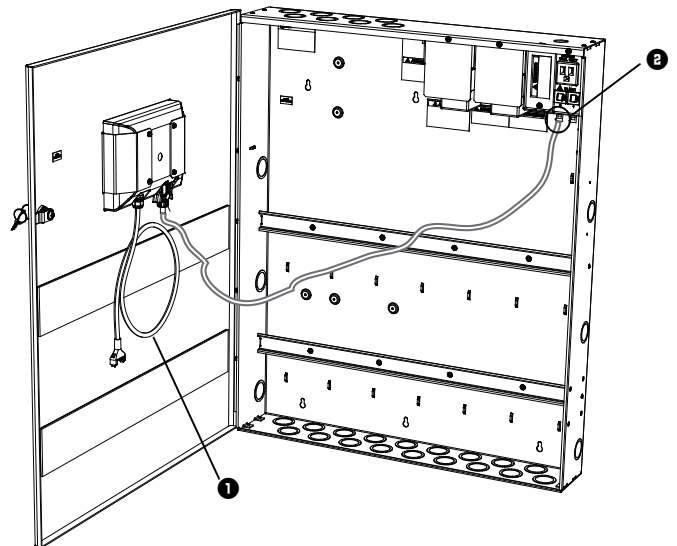
Removing the Enclosure Door

1. Disconnect power at the circuit breaker and perform lockout/tagout procedures.
Steps 2 through 4 apply only to Tracer large enclosure doors that have the TD7 display.
2. Disconnect TD7 power cable from the power connector. (Simultaneously squeeze and pull the power connector downward to release the cable).
3. Disconnect the Ethernet cable that is connected to the TD7.
4. Remove the four M3 mounting screws from the TD7 display by using a Phillips screwdriver. Set display aside.
5. Close door and lock.
6. Remove the five M4 screws from the hinges on the door.
7. Hold the door in place, unlock, and then remove.

3

Figure 1. Removing the door and the optional TD7 display

- 1 Ethernet cable
- 2 Power connector (two available)



4

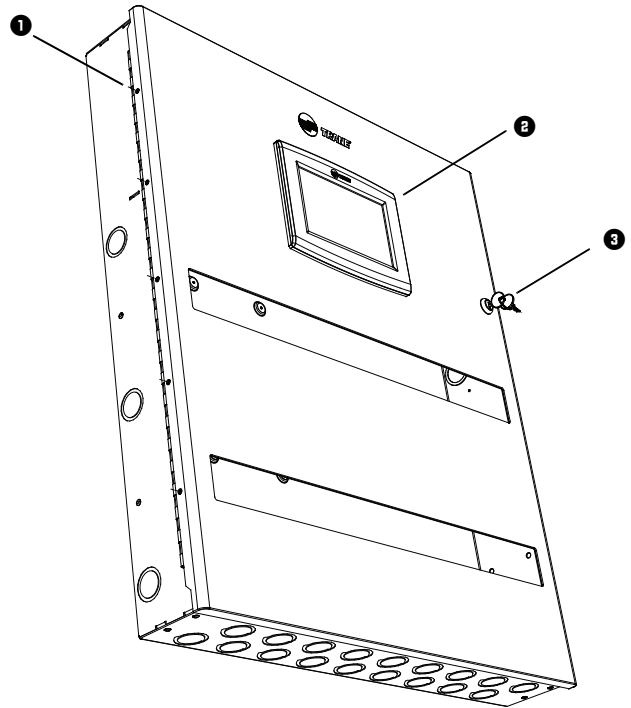
Installing the Enclosure Door

1. Remove packaging from the door and locate the provided hardware (five M4 screws).
2. Position the door on the front of the enclosure in its approximate position, with the lock on the right-hand side.
3. Lock the enclosure door to assist in holding the door on the enclosure.
4. Align the screw holes with the threaded hardware on the door hinge so that the screws can be inserted through the door.
5. Insert one screw into a screw hole on the upper half of the door; finger tighten only.
6. Insert the remaining four screws in the screw holes; finger tighten only.
7. While applying slight upward pressure on the door, use a screwdriver to securely tighten one screw on the upper portion of the door and one screw on the lower portion of the door.
8. Unlock the door and ensure that it opens and closes freely.
9. Securely tighten the remaining screws.

5

Figure 2. Installing the enclosure door

- 1 M4 screw holes (five places)
- 2 Optional TD7 display
- 3 Enclosure door lock



Trane - by Trane Technologies (NYSE: TT), a global climate innovator - creates comfortable, energy efficient indoor environments for commercial and residential applications. For more information, please visit trane.com or tranetechnologies.com.

Trane has a policy of continuous product and product data improvement and reserves the right to change design and specifications without notice. We are committed to using environmentally conscious print practices.