



Installation Instructions

Replacing the Transformer Service Part in Field-installed DIN Enclosures

Ordering numbers:

S3090064262 (120 Vac transformer)

S3090064362 (230 Vac transformer)

X39641200-01

SAFETY WARNING

Only qualified personnel should install and service the equipment. The installation, starting up, and servicing of heating, ventilating, and air-conditioning equipment can be hazardous and requires specific knowledge and training. Improperly installed, adjusted or altered equipment by an unqualified person could result in death or serious injury. When working on the equipment, observe all precautions in the literature and on the tags, stickers, and labels that are attached to the equipment.

June 2020

BAS-SVN089B-EN

TRANE
TECHNOLOGIES

© 2020 Trane

1

Warnings, Cautions, and Notices

Read this manual thoroughly before operating or servicing this unit. Safety advisories appear throughout this manual as required. Your personal safety and the proper operation of this machine depend upon the strict observance of these precautions.

The three types of advisories are defined as follows:

WARNING

Indicates a potentially hazardous situation which, if not avoided, could result in death or serious injury.

CAUTION

Indicates a potentially hazardous situation which, if not avoided, could result in minor or moderate injury. It could also be used to alert

NOTICE

Indicates a situation that could result in equipment or property-damage only accidents.

Packaged Contents

- One (1) transformer replacement service part
- Four (2) transformer mounting screws (M4-45)
- One (1) installation instruction sheet

2

WARNING

Hazardous Voltage!

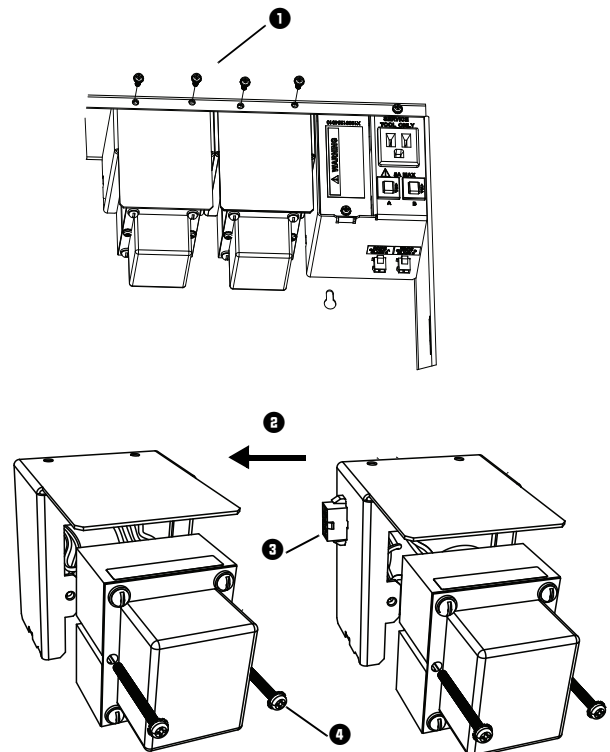
Disconnect all electrical power, including remote disconnects, before servicing. Follow proper lockout/tagout procedures to ensure the power cannot be inadvertently energized. Failure to disconnect power before servicing could result in death or serious injury.

Removing the Old Transformer

1. Disconnect power at the circuit breaker and perform lockout/tagout procedures.
2. Disconnect the secondary power from the unit controllers.
3. Remove the screws **1** that hold the transformer bracket to the enclosure.
4. Slide the transformer and bracket to the left **2** until it disengages from the enclosure. Release by gently squeezing the transformer power connector to which the wires are attached **3**.
5. Remove the two screws **4** that hold the transformer to the bracket.

3

Figure 1. Removing the old transformer (dual-transformer shown)



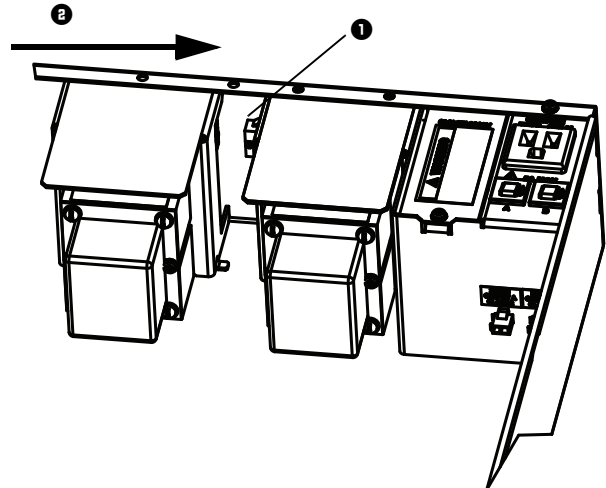
4

Installing the new transformer

1. Install the bracket onto the new transformer.
2. On the inside transformer, reinstall the power connector ❶ that connects to the outside transformer through the opening until it snaps into place.
3. Install the loose power connector into the static power connector at either the enclosure or the left side of the inside transformer.
4. Install the bracket/transformer into the enclosure.
5. Install the new transformer/bracket by hooking into the back and sliding to the right. ❷
6. Secure firmly into place by using the provided screws.
7. Reconnect the TD7 power cable (if applicable).
8. Reapply power.

5

Figure 2. New transformer (installed)



Trane - by Trane Technologies (NYSE: TT), a global climate innovator - creates comfortable, energy efficient indoor environments for commercial and residential applications. For more information, please visit trane.com or tranetechnologies.com.

Trane has a policy of continuous product and product data improvement and reserves the right to change design and specifications without notice. We are committed to using environmentally conscious print practices.

BAS-SVN089B-EN 10 Jun 2020
Supersedes X39641200-01A (Jul 2011)

©2020 Trane