

## Installation Instructions

# Crankcase Heater

Foundation™ Packaged

Rooftop Units 3 to 5 Tons

### Model Number: Used With:

BAYCCHT010\* E/GBC048-060A3

BAYCCHT011\* E/GBC048-060A4,W

### SAFETY WARNING

Only qualified personnel should install and service the equipment. The installation, starting up, and servicing of heating, ventilating, and air-conditioning equipment can be hazardous and requires specific knowledge and training. Improperly installed, adjusted or altered equipment by an unqualified person could result in death or serious injury. When working on the equipment, observe all precautions in the literature and on the tags, stickers, and labels that are attached to the equipment.

April 2020

ACC-SVN26R-EN

© 2020

1

## Warnings, Cautions, and Notices

Read this manual thoroughly before operating or servicing this unit. Safety advisories appear throughout this manual as required. Your personal safety and the proper operation of this machine depend upon the strict observance of these precautions.

The three types of advisories are defined as follows:

### WARNING

Indicates a potentially hazardous situation which, if not avoided, could result in death or serious injury.

### CAUTION

Indicates a potentially hazardous situation which, if not avoided, could result in minor or moderate injury. It could also be used to alert

### NOTICE

Indicates a situation that could result in equipment or property-damage only accidents.

## Important Environmental Concerns

Scientific research has shown that certain man-made chemicals can affect the earth's naturally occurring stratospheric ozone layer when released to the atmosphere. In particular, several of the identified chemicals that may affect the ozone layer are refrigerants that contain Chlorine, Fluorine and Carbon (CFCs) and those containing Hydrogen, Chlorine, Fluorine and Carbon (HCFCs). Not all refrigerants containing these compounds have the same potential impact to the environment. Trane advocates the responsible handling of all refrigerants-including industry replacements for CFCs such as HCFCs and HFCs.

## Important Responsible Refrigerant Practices

Trane believes that responsible refrigerant practices are important to the environment, our customers, and the air conditioning industry. All technicians who handle refrigerants must be certified according to local rules. For the USA, the Federal Clean Air Act (Section 608) sets forth the requirements for handling, reclaiming, recovering and recycling of certain refrigerants and the equipment that is used in these service procedures. In addition, some states or municipalities may have additional requirements that must also be adhered to for responsible management of refrigerants. Know the applicable laws and follow them.

2

### WARNING

#### Proper Field Wiring and Grounding Required!

Failure to follow code could result in death or serious injury. All field wiring MUST be performed by qualified personnel. Improperly installed and grounded field wiring poses FIRE and ELECTROCUTION hazards. To avoid these hazards, you MUST follow requirements for field wiring installation and grounding as described in NEC and your local/state electrical codes.

### WARNING

#### Personal Protective Equipment Required!

Installing/servicing this unit could result in exposure to electrical, mechanical and chemical hazards. Before installing/servicing this unit, technicians MUST put on all Personal Protective Equipment (PPE) recommended for the work being undertaken. ALWAYS refer to appropriate SDS sheets and OSHA guidelines for proper PPE. When working with or around hazardous chemicals, ALWAYS refer to the appropriate SDS sheets and OSHA guidelines for information on allowable personal exposure levels, proper respiratory protection and handling recommendations. If there is a risk of arc or flash, technicians MUST put on all necessary Personal Protective Equipment (PPE) in accordance with NFPA70E for arc/flash protection PRIOR to servicing the unit. Failure to follow recommendations could result in death or serious injury.

### WARNING

#### Follow EHS Policies!

Failure to follow instructions below could result in death or serious injury.

- All Trane personnel must follow the company's Environmental, Health and Safety (EHS) policies when performing work such as hot work, electrical, fall protection, lockout/tagout, refrigerant handling, etc. Where local regulations are more stringent than these policies, those regulations supersede these policies.
- Non-Trane personnel should always follow local regulations.

3

## Model Number Description

All products are identified by a multiple-character model number that precisely identifies a particular type of unit. Its use will enable the owner/operator, installing contractors, and service engineers to define the operation, specific components, and other options for any specific unit. When ordering replacement parts or requesting service, be sure to refer to the specific model number and serial number printed on the unit nameplate.

## Inspection

1. Unpack all components of the kit.
2. Check carefully for any shipping damage. If any damage is found it must be reported immediately and a claim made against the transportation company.

## Parts List

- 1 - Crankcase Heater (CCH)
- 1 - 1/2" 10-16 Thread Screw
- 4 - Wire Ties

## Installation

### WARNING

#### Hazardous Voltage w/Capacitors!

Failure to disconnect power and discharge capacitors before servicing could result in death or serious injury. Disconnect all electric power, including remote disconnects and discharge all motor start/run capacitors before servicing. Follow proper lockout/tagout procedures to ensure the power cannot be inadvertently energized. Verify with an appropriate voltmeter that all capacitors have discharged.

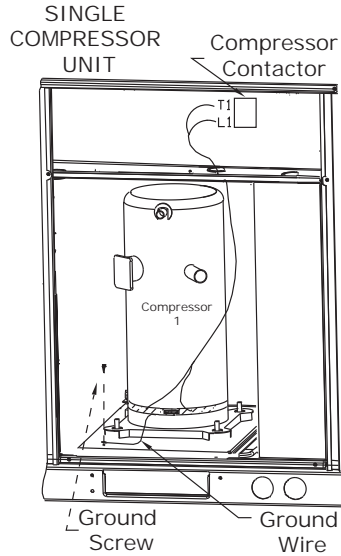
For additional information regarding the safe discharge of capacitors, see PROD-SVB06\*-EN.

1. Open and lock unit disconnect to prevent injury or death from electrical shock or contact with moving parts.
2. Remove unit control and compressor access panel.

4

- Place the crankcase heater(s) band around the bottom of the compressor(s) within 1 inch of the base.

**Figure 1. Place CCH band around the bottom of the compressor**



- Tighten the crankcase heater around the compressor and attach the green ground wire to the base as shown. Torque heater to 20-25 inch-pounds.
- Attach green ground wire(s) to compressor mount plate(s) using a supplied 1/2" 10-16 thread sheet metal screw.

5

## 6. Installations other than European:

### **For single compressor applications:**

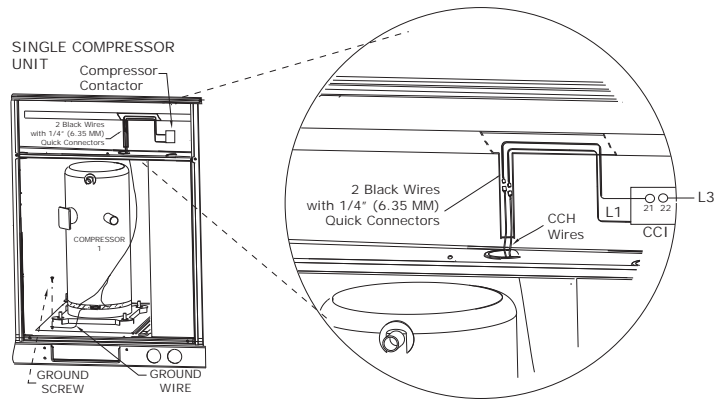
Route the black heater leads from the outdoor section into the control compartment. Connect the leads to the (CC) compressor contactor. See [Figure 1](#) for single compressor applications.

### **European Installation:**

Route the black heater leads from the outdoor section into the control compartment. Remove the vertical plastic wire-way cover and locate 2 existing black wires with 1/4" (6.35mm) quick connectors. Connect the leads of the crankcase heater to the 2 black wires with the 1/4" (6.35mm) quick connectors. Replace the vertical plastic wire-way cover. See [Figure 2](#) for wiring connections.

- Secure the crankcase heater leads with supplied wire ties. Care must be taken to ensure the leads do not come in contact with the compressor discharge line, with any moving parts or any sharp edges.
- Re-install the control and compressor access panel.
- Re-apply power to the unit.

**Figure 2. Crankcase heater wiring connections**



Trane and American Standard create comfortable, energy efficient indoor environments for commercial and residential applications. For more information, please visit [trane.com](http://trane.com) or [americanstandardair.com](http://americanstandardair.com).

Trane and American Standard have a policy of continuous product and product data improvement and reserve the right to change design and specifications without notice. We are committed to using environmentally conscious print practices.