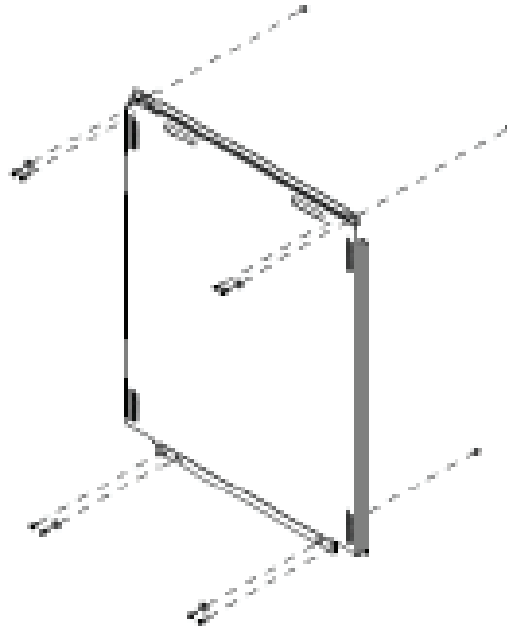




Installation Instructions

Odyssey™ Split Systems

Hail Guard Kit for R-410A and R-454B TTA/TWA Condenser Coils



Model Number:

BAYGARD068*
BAYGARD064*
BAYGARD065*
BAYGARD066*
BAYGARD067*

Used With:

TTA060/072/076/090, TWA060**A/072**A/076**A/090**A
TTA101/120, TWA060**D/072**D/076**D/090**D
TTA126/150, TWA101/120/150
TTA156/180/201/240, TWA156/180/201/240
TTA251/300, TWA300

▲ SAFETY WARNING

Only qualified personnel should install and service the equipment. The installation, starting up, and servicing of heating, ventilating, and air-conditioning equipment can be hazardous and requires specific knowledge and training. Improperly installed, adjusted or altered equipment by an unqualified person could result in death or serious injury. When working on the equipment, observe all precautions in the literature and on the tags, stickers, and labels that are attached to the equipment.



Introduction

Read this manual thoroughly before operating or servicing this unit.

Warnings, Cautions, and Notices

Safety advisories appear throughout this manual as required. Your personal safety and the proper operation of this machine depend upon the strict observance of these precautions.

The three types of advisories are defined as follows:



Indicates a potentially hazardous situation which, if not avoided, could result in death or serious injury.



Indicates a potentially hazardous situation which, if not avoided, could result in minor or moderate injury. It could also be used to alert against unsafe practices.



Indicates a situation that could result in equipment or property-damage only accidents.

Important Environmental Concerns

Scientific research has shown that certain man-made chemicals can affect the earth's naturally occurring stratospheric ozone layer when released to the atmosphere. In particular, several of the identified chemicals that may affect the ozone layer are refrigerants that contain Chlorine, Fluorine and Carbon (CFCs) and those containing Hydrogen, Chlorine, Fluorine and Carbon (HCFCs). Not all refrigerants containing these compounds have the same potential impact to the environment. Trane advocates the responsible handling of all refrigerants.

Important Responsible Refrigerant Practices

Trane believes that responsible refrigerant practices are important to the environment, our customers, and the air conditioning industry. All technicians who handle refrigerants must be certified according to local rules. For the USA, the Federal Clean Air Act (Section 608) sets forth the requirements for handling, reclaiming, recovering and recycling of certain refrigerants and the equipment that is used in these service procedures. In addition, some states or municipalities may have additional requirements that must also be adhered to for responsible management of refrigerants. Know the applicable laws and follow them.

⚠ WARNING

Proper Field Wiring and Grounding Required!

Failure to follow code could result in death or serious injury.

All field wiring **MUST** be performed by qualified personnel. Improperly installed and grounded field wiring poses **FIRE** and **ELECTROCUTION** hazards. To avoid these hazards, you **MUST** follow requirements for field wiring installation and grounding as described in **NEC** and your local/state/national electrical codes.

⚠ WARNING

Personal Protective Equipment (PPE) Required!

Failure to wear proper PPE for the job being undertaken could result in death or serious injury.

Technicians, in order to protect themselves from potential electrical, mechanical, and chemical hazards, **MUST** follow precautions in this manual and on the tags, stickers, and labels, as well as the instructions below:

- **Before installing/servicing this unit, technicians MUST put on all PPE required for the work being undertaken (Examples; cut resistant gloves/sleeves, butyl gloves, safety glasses, hard hat/bump cap, fall protection, electrical PPE and arc flash clothing). ALWAYS refer to appropriate Safety Data Sheets (SDS) and OSHA guidelines for proper PPE.**
- **When working with or around hazardous chemicals, ALWAYS refer to the appropriate SDS and OSHA/GHS (Global Harmonized System of Classification and Labelling of Chemicals) guidelines for information on allowable personal exposure levels, proper respiratory protection and handling instructions.**
- **If there is a risk of energized electrical contact, arc, or flash, technicians MUST put on all PPE in accordance with OSHA, NFPA 70E, or other country-specific requirements for arc flash protection, PRIOR to servicing the unit. NEVER PERFORM ANY SWITCHING, DISCONNECTING, OR VOLTAGE TESTING WITHOUT PROPER ELECTRICAL PPE AND ARC FLASH CLOTHING. ENSURE ELECTRICAL METERS AND EQUIPMENT ARE PROPERLY RATED FOR INTENDED VOLTAGE.**

⚠ WARNING**Follow EHS Policies!**

Failure to follow instructions below could result in death or serious injury.

- All Trane personnel must follow the company's Environmental, Health and Safety (EHS) policies when performing work such as hot work, electrical, fall protection, lockout/tagout, refrigerant handling, etc. Where local regulations are more stringent than these policies, those regulations supersede these policies.
- Non-Trane personnel should always follow local regulations.

⚠ WARNING**R-454B Flammable A2L Refrigerant!**

Failure to use proper equipment or components as described below could result in equipment failure, and possibly fire, which could result in death, serious injury, or equipment damage.

The equipment described in this manual uses R-454B refrigerant which is flammable (A2L). Use **ONLY** R-454B rated service equipment and components. For specific handling concerns with R-454B, contact your local representative.

⚠ WARNING**Cancer and Reproductive Harm!**

This product can expose you to chemicals including lead and bisphenol A (BPA), which are known to the State of California to cause cancer and birth defects or other reproductive harm. For more information go to www.P65Warnings.ca.gov.

⚠ WARNING**Hazardous Voltage w/Capacitors!**

Failure to disconnect power and discharge capacitors before servicing could result in death or serious injury.

Disconnect all electric power, including remote disconnects and discharge all motor start/run capacitors before servicing. Follow proper lockout/tagout procedures to ensure the power cannot be inadvertently energized. Verify with a CAT III or IV voltmeter rated per NFPA 70E that all capacitors have discharged.

Revision History

Update to Figure 4.



General

The accessory hail guards referred to in this installation guide are provided for use with condensing units. See to determine which hail guard assembly is to be used with each unit.

Inspection

- Unpack all components of the kit.
- Check carefully for shipping damage. If any damage is found, report it immediately, and file a claim against the transportation company.

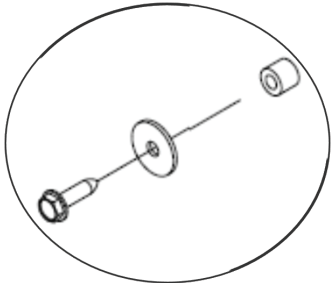
Table 1. Hail guard selection chart

Hail Guard Kit	Unit
BAYGARD068*	TTA060/072/076/090, TWA060**A/072**A/076**A/090**A
BAYGARD064*	TTA101/120, TWA060**D/072**D/076**D/090**D
BAYGARD065*	TTA126/150, TWA101/120/150
BAYGARD066*	TTA156/180/201/240, TWA156/180/201/240
BAYGARD067*	TTA251/300, TWA300

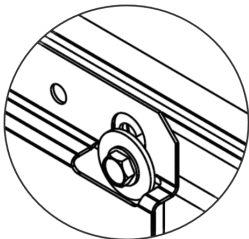
Installation

1. Install the tool-less combo to the top cover.

Figure 1. Tool-less combo

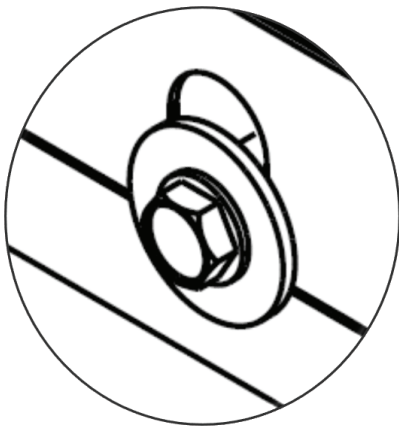


Top Cover



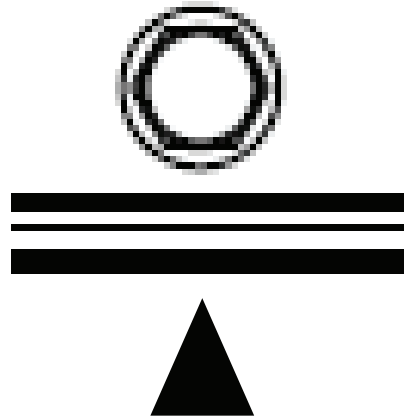
2. Install the tool-less combo to the base. Drill 0.144-inch holes if needed.

Figure 2. Bottom base rail



3. To ensure Seismic Rated-4, drill additional 0.144-inch holes at the arrows on

Figure 3. Additional screw with arrow indicator



4. Screw the panel onto the unit.

Important:

- Confirm the guard panel covers the entire condenser coil opening in the cabinet.
- On some models, the guard panels will overlap the center post where the coils meet in the back.
- Size of the panels and the number of screws will vary depending on kit. Refer to the tables below to confirm all parts are correct for specific kits.

Figure 4. Hail guard — single fan unit

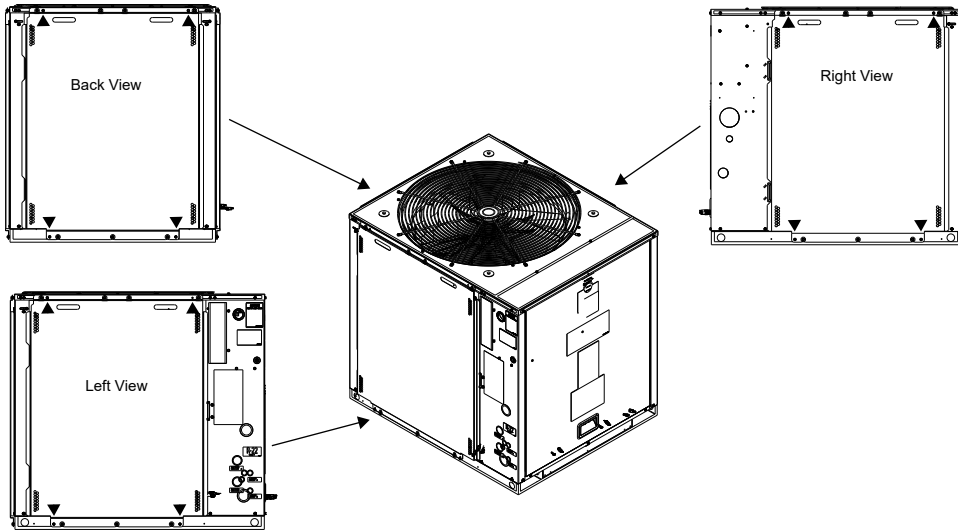


Figure 5. Hail guard — dual fan unit

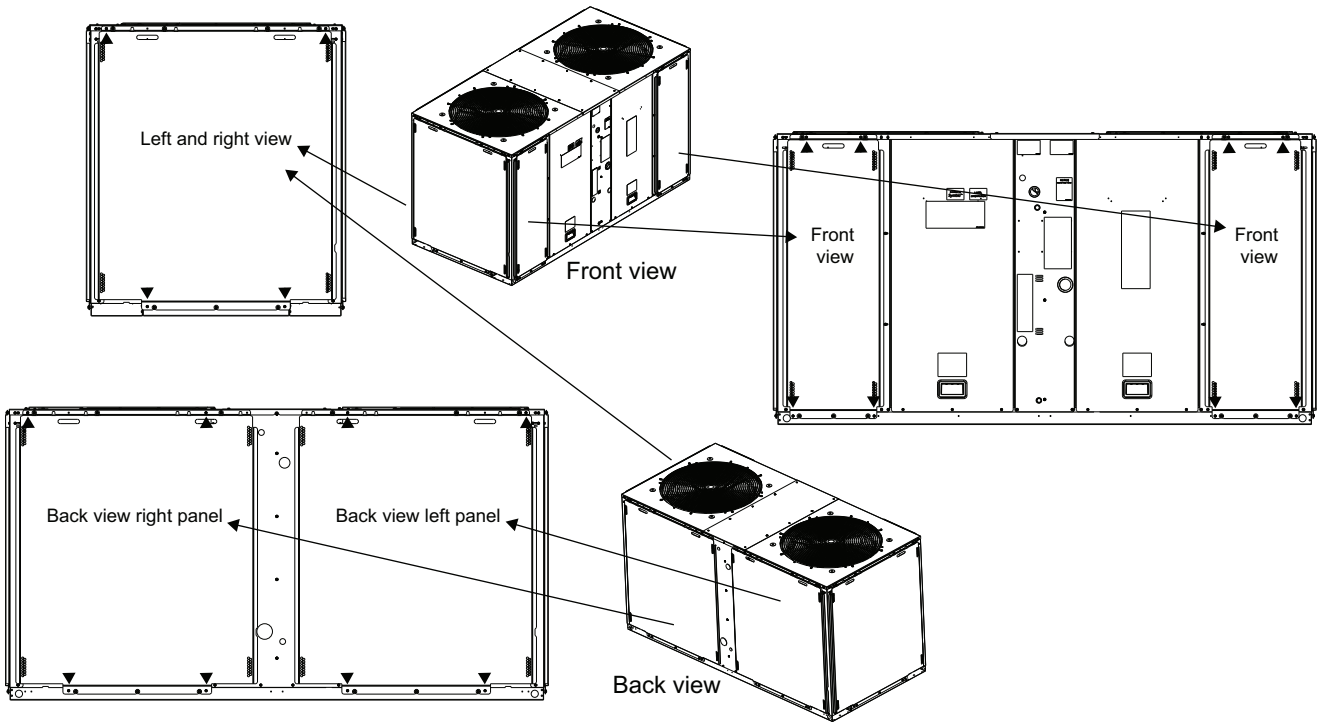


Table 2. Hail guard kits

BAYGARD068*		BAYGARD064*	
Qty	Description	Qty	Description
2	Hail Guard (38.14 in. x 29.85 in.)	2	Hail Guard (37.69 in. x 40.17 in.)
1	Hail Guard (38.14 in. x 30.85 in.)	1	Hail Guard (37.69 in. x 34.62 in.)

Table 2. Hail guard kits (continued)

BAYGARD068*		BAYGARD064*	
Qty	Description	Qty	Description
24	Long screws	24	Long screws
6	Short screws	6	Short screws
12	Spacers	12	Spacers
12	Washers	12	Washers

Table 3. Hail guard kits

BAYGARD065*		BAYGARD066*	
Qty	Description	Qty	Description
1	Hail Guard (43.69 in. x 42.07 in.)	4	Hail Guard (43.59 in. x 43.68 in.)
1	Hail Guard (43.69 in. x 40.17 in.)	2	Hail Guard (43.59 in. x 17.59 in.)
1	Hail Guard (43.69 in. x 34.6 in.)	48	Long screws
24	Long screws	8	Short screws
6	Short screws	24	Spacers
12	Spacers	24	Washers
12	Washers		

Table 4. Hail guard kits

BAYGARD067*	
Qty	Description
4	Hail Guard (49.59 in. x 43.69 in.)
2	Hail Guard (49.59 in. x 17.59 in.)
48	Long screws
8	Short screws
24	Spacers
24	Washers

Trane - by Trane Technologies (NYSE: TT), a global innovator - creates comfortable, energy efficient indoor environments for commercial and residential applications. For more information, please visit trane.com or tranetechnologies.com.

Trane has a policy of continuous product and product data improvements and reserves the right to change design and specifications without notice. We are committed to using environmentally conscious print practices.

ACC-SVN225F-EN 14 Mar 2026
Supersedes ACC-SVN225E-EN (November 2025)

©2026 Trane