

Installation Instructions

0 to 100% Low Leak Economizer – Horizontal

Foundation™ Packaged Cooling and Gas/Electric
3 to 5 Tons

Model Number: BAYECON354*
Used With: E/GB*036-060
E/GD*036-060

SAFETY WARNING

Only qualified personnel should install and service the equipment. The installation, starting up, and servicing of heating, ventilating, and air-conditioning equipment can be hazardous and requires specific knowledge and training. Improperly installed, adjusted or altered equipment by an unqualified person could result in death or serious injury. When working on the equipment, observe all precautions in the literature and on the tags, stickers, and labels that are attached to the equipment.

Introduction

Read this manual thoroughly before operating or servicing this unit.

Warnings, Cautions, and Notices

Safety advisories appear throughout this manual as required. Your personal safety and the proper operation of this machine depend upon the strict observance of these precautions.

The three types of advisories are defined as follows:

- ⚠ WARNING** Indicates a potentially hazardous situation which, if not avoided, could result in death or serious injury.
- ⚠ CAUTION** Indicates a potentially hazardous situation which, if not avoided, could result in minor or moderate injury. It could also be used to alert against unsafe practices.
- NOTICE** Indicates a situation that could result in equipment or property-damage only accidents.

Important Environmental Concerns

Scientific research has shown that certain man-made chemicals can affect the earth's naturally occurring stratospheric ozone layer when released to the atmosphere. In particular, several of the identified chemicals that may affect the ozone layer are refrigerants that contain Chlorine, Fluorine and Carbon (CFCs) and those containing Hydrogen, Chlorine, Fluorine and Carbon (HCFCs). Not all refrigerants containing these compounds have the same potential impact to the environment. Trane advocates the responsible handling of all refrigerants.

Important Responsible Refrigerant Practices

Trane believes that responsible refrigerant practices are important to the environment, our customers, and the air conditioning industry. All technicians who handle refrigerants must be certified according to local rules. For the USA, the Federal Clean Air Act (Section 608) sets forth the requirements for handling, reclaiming, recovering and recycling of certain refrigerants and the equipment that is used in these service procedures. In addition, some states or municipalities may have additional requirements that must also be adhered to for responsible management of refrigerants. Know the applicable laws and follow them.

⚠ WARNING

Proper Field Wiring and Grounding Required!

Failure to follow code could result in death or serious injury. All field wiring **MUST** be performed by qualified personnel. Improperly installed and grounded field wiring poses **FIRE** and **ELECTROCUTION** hazards. To avoid these hazards, you **MUST** follow requirements for field wiring installation and grounding as described in **NEC** and your local/state/national electrical codes.

⚠ WARNING

Personal Protective Equipment (PPE) Required!

Failure to wear proper PPE for the job being undertaken could result in death or serious injury. Technicians, in order to protect themselves from potential electrical, mechanical, and chemical hazards, **MUST** follow precautions in this manual and on the tags, stickers, and labels, as well as the instructions below:

- Before installing/servicing this unit, technicians **MUST** put on all PPE required for the work being undertaken (Examples; cut resistant gloves/sleeves, butyl gloves, safety glasses, hard hat/bump cap, fall protection, electrical PPE and arc flash clothing). **ALWAYS** refer to appropriate Safety Data Sheets (SDS) and OSHA guidelines for proper PPE.
- When working with or around hazardous chemicals, **ALWAYS** refer to the appropriate SDS and OSHA/GHS (Global Harmonized System of Classification and Labeling of Chemicals) guidelines for information on allowable personal exposure levels, proper respiratory protection and handling instructions.
- If there is a risk of energized electrical contact, arc, or flash, technicians **MUST** put on all PPE in accordance with OSHA, NFPA 70E, or other country-specific requirements for arc flash protection, **PRIOR** to servicing the unit. **NEVER PERFORM ANY SWITCHING, DISCONNECTING, OR VOLTAGE TESTING WITHOUT PROPER ELECTRICAL PPE AND ARC FLASH CLOTHING. ENSURE ELECTRICAL METERS AND EQUIPMENT ARE PROPERLY RATED FOR INTENDED VOLTAGE.**

⚠ WARNING

Follow EHS Policies!

Failure to follow instructions below could result in death or serious injury.

- All Trane personnel must follow the company's Environmental, Health and Safety (EHS) policies when performing work such as hot work, electrical, fall protection, lockout/tagout, refrigerant handling, etc. Where local regulations are more stringent than these policies, those regulations supersede these policies.
- Non-Trane personnel should always follow local regulations.

⚠ WARNING

R-454B Flammable A2L Refrigerant!

Failure to use proper equipment or components as described below could result in equipment failure, and possibly fire, which could result in death, serious injury, or equipment damage.

The equipment described in this manual uses R-454B refrigerant which is flammable (A2L). Use ONLY R-454B rated service equipment and components.

For specific handling concerns with R-454B, contact your local representative.

Copyright

This document and the information in it are the property of Trane, and may not be used or reproduced in whole or in part without written permission. Trane reserves the right to revise this publication at any time, and to make changes to its content without obligation to notify any person of such revision or change.

Trademarks

All trademarks referenced in this document are the trademarks of their respective owners.

Table of Contents

General Information	5
Inspection	5
Parts List	5
Field Supplied Part	5
Field Installation	6
Economizer Controller	10
Controller User Interface and Keypad	10
Use of the Keypad When Working with Menus	11
Time-out and Screensaver	11
Controller Menu Structure	11
Sequence of Operation	16
Initiation of Operating Modes	17
Economizer Setup and Configuration (Field and Factory Installed Option)	17
Enthalpy Settings	17
Powered Exhaust	18
CO ₂ Sensor	18
Occupancy Sensor	18
Checkout	18
Power Up	19
Power Loss	19
Status	19
Checkout Tests	19
Troubleshooting	19
To Clear an Alarm	20
Fault Detection and Diagnostics (FDD) Certification	20

General Information

Inspection

1. Check carefully for shipping damage. If any damage is found, report it immediately, and file a claim against the transportation company. Replace damaged parts with authorized parts only.
2. Compare the order number on the shipping label with the accessory identification information on the ordering and shipping documents to verify that the correct accessory has been received.

Parts List

Table 1 lists components shown in Figure 1.

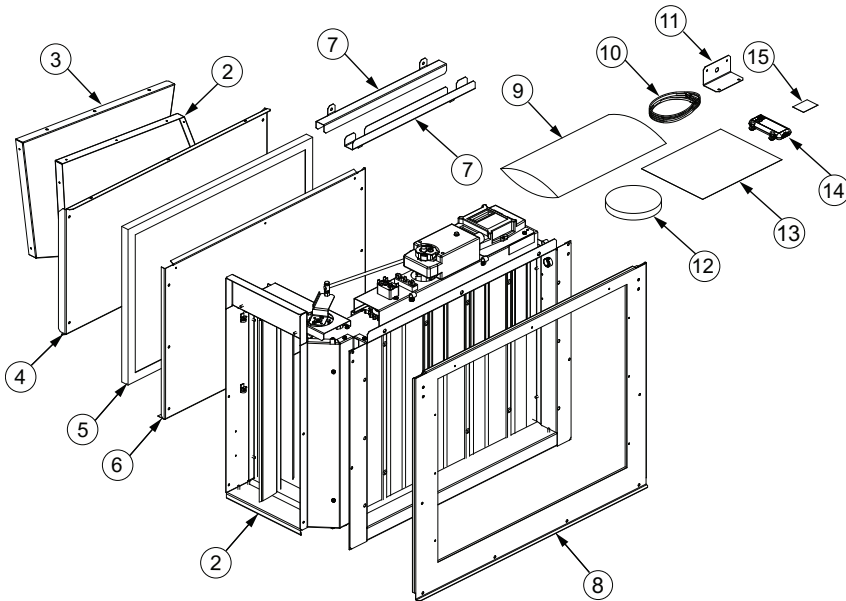
Table 1. Major economizer component list

Item	Description	Qty
1	Low leak economizer assembly	1
2	Panel Fresh air hood, LH	1

Table 1. Major economizer component list

Item	Description	Qty
3	Panel Fresh air hood, RH	1
4	Panel Fresh air hood, top	1
5	Mist eliminator	1
6	Panel Fresh air hood, bottom	1
7	Bracket bottom, Mist eliminator	2
8	End panel	1
9	Installation bag with screws	1
10	Harness, mixed air sensor	1
11	Bracket, mixed air sensor	1
12	Roll of Gasket	1
13	Literature	1
14	Mixed air sensor	1
15	Label	1

Figure 1. Major economizer components — field installed option



Field Supplied Part

Qty	Description
1	Tube Sealant - Trane recommends Sikaflex 221 (SEL00439)

NOTICE

Corrosion Damage!

Failure to use recommended caulking/sealant could cause corrosion related failures to refrigerant components.

Field Installation

⚠ WARNING

Hazardous Service Procedures!

Failure to follow all precautions in this manual and on the tags, stickers, and labels could result in death or serious injury.

Technicians, in order to protect themselves from potential electrical, mechanical, and chemical hazards, **MUST** follow precautions in this manual and on the tags, stickers, and labels, as well as the following instructions: Unless specified otherwise, disconnect all electrical power including remote disconnect and discharge all energy storing devices such as capacitors before servicing. Follow proper lockout/tagout procedures to ensure the power can not be inadvertently energized. When necessary to work with live electrical components, have a qualified licensed electrician or other individual who has been trained in handling live electrical components perform these tasks.

⚠ WARNING

Hazardous Voltage w/Capacitors!

Failure to disconnect power and discharge capacitors before servicing could result in death or serious injury. Disconnect all electric power, including remote disconnects and discharge all motor start/run capacitors before servicing. Follow proper lockout/tagout procedures to ensure the power cannot be inadvertently energized. Verify with a CAT III or IV voltmeter rated per NFPA 70E that all capacitors have discharged.

⚠ CAUTION

Heavy Object!

Failure to follow instructions below could result in severe injury and equipment damage. Economizer weighs over 50 pounds and should be installed by two people.

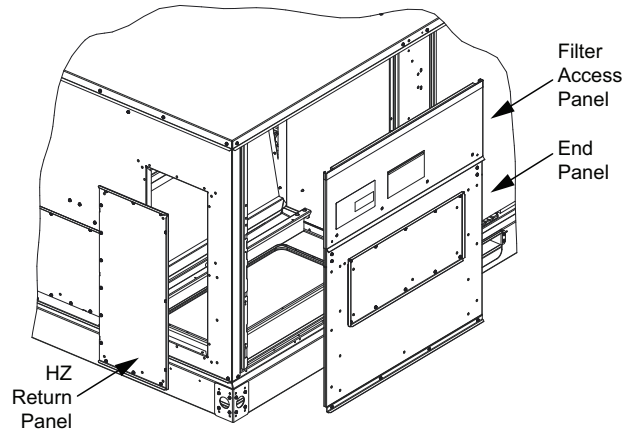
NOTICE

Equipment Damage!

Forcibly turning the motor shaft can damage the gear train and motor beyond repair. Never turn the motor shaft by hand or with a wrench.

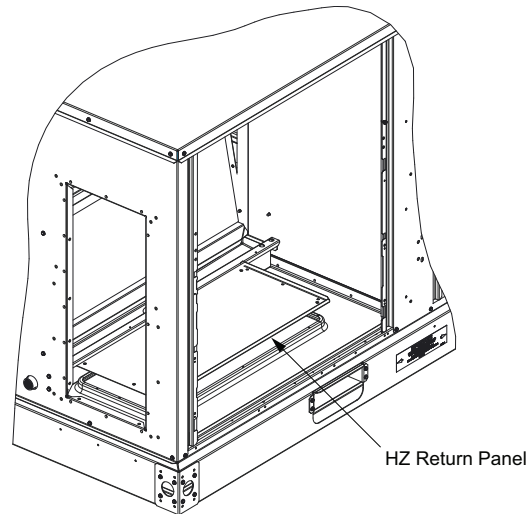
1. Remove the filter access panel, unit end panel and horizontal return panel. Retain screws for later use. Discard unit end panel. See [Figure 2](#).

Figure 1. Panel removal



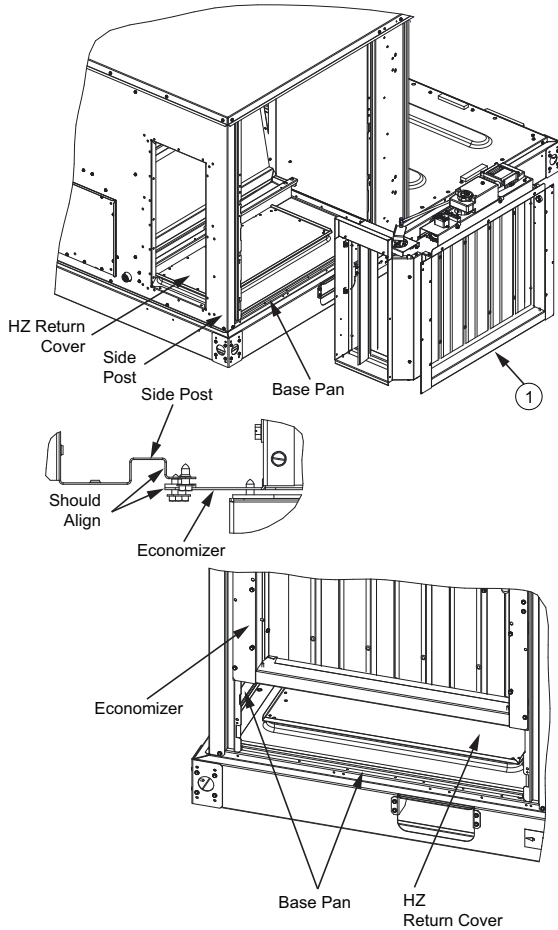
2. Install the horizontal return panel onto downflow return opening removed in previous step using nine screws. [Figure 3](#).

Figure 2. Return panel installation



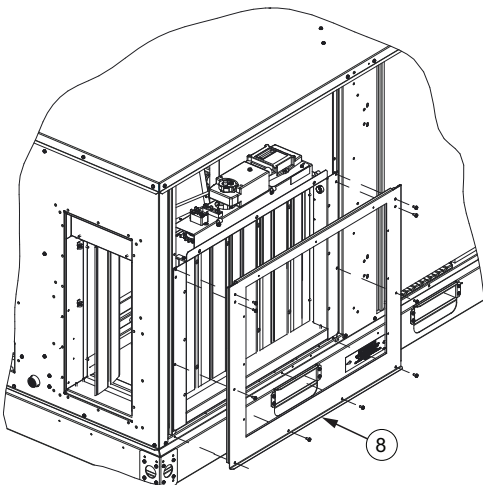
3. Install economizer onto unit. Align edge of both sides of the economizer panel flange with LH and RH side post as shown in [Figure 4](#). Economizer should rest on return base pan as shown.

Figure 3. Economizer installation



4. Install item 8 onto unit using 10 screws. See [Figure 5](#).

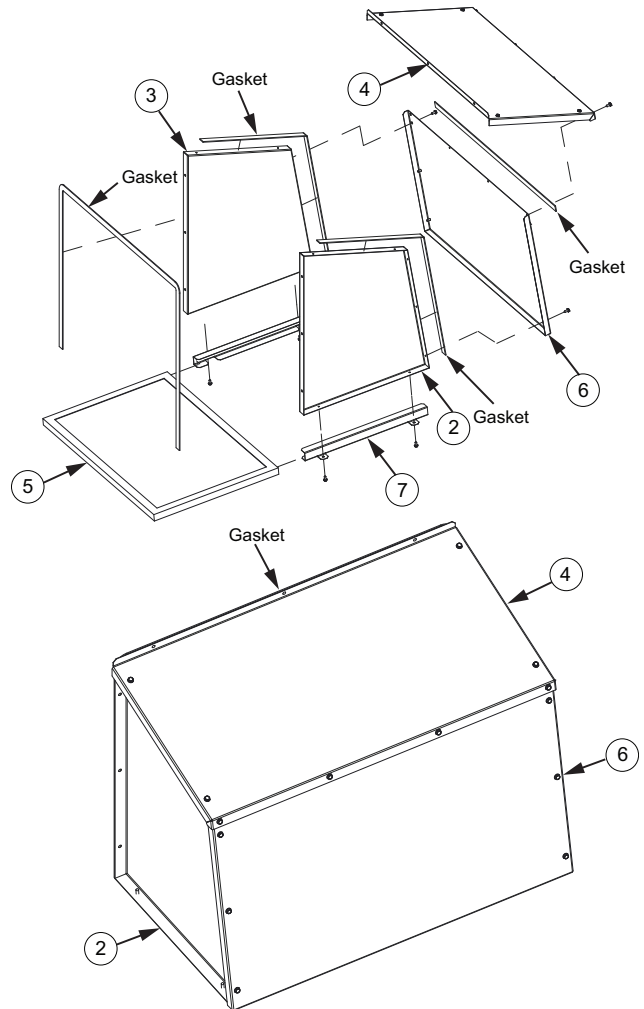
Figure 4. Economizer panel installation



5. Build the fresh air hood assembly per [Figure 6](#).
 a. Apply gasket to 6, aligning to top edge of 6.
 b. Apply gasket to 2 and 3 as shown.

- c. Attach 7 to 2 and 3 using two screws on each side.
- d. Attach 4 to 6 using three screws.
- e. Attach assembly built in [Step d](#) to 2 and 3 using five screws on each side.
- f. Apply gasket to the fresh air hood assembly, aligning with three sides of the assembly.
- g. Insert and slide 8 through 9.

Figure 5. Air hood assembly

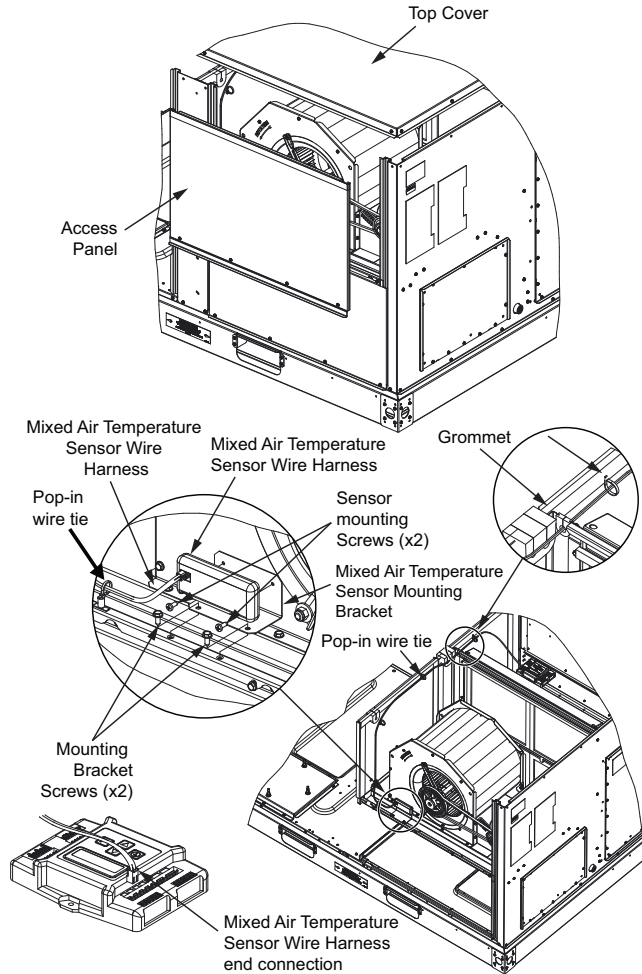


- 6. Install Mixed Air Sensor; refer to [Figure 7](#):
 - a. Remove the front access panel and unit top cover of the unit.
 - b. Remove mixed air sensor, two #6 screws and bracket from kit bag (item 11). Attach mixed air sensor to bracket using the two screws.
 - c. Remove mixed air sensor wire harness from the bag (item 10). Connect harness to the economizer controller MAT pin.

Field Installation

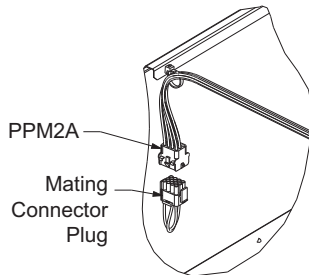
- d. Route the mixed air sensor wire harness through the bushing located at the top of the evaporator coil and connect to the sensor.

Figure 6. Mixed air temperature sensor installation



7. Locate unit economizer control wiring harness plug PPM2A. The plug is located in the upper front section of the return air (attached to unit divider panel). Remove the mating connector plug and connect PPM2A to the economizer wire harness. See [Figure 8](#).

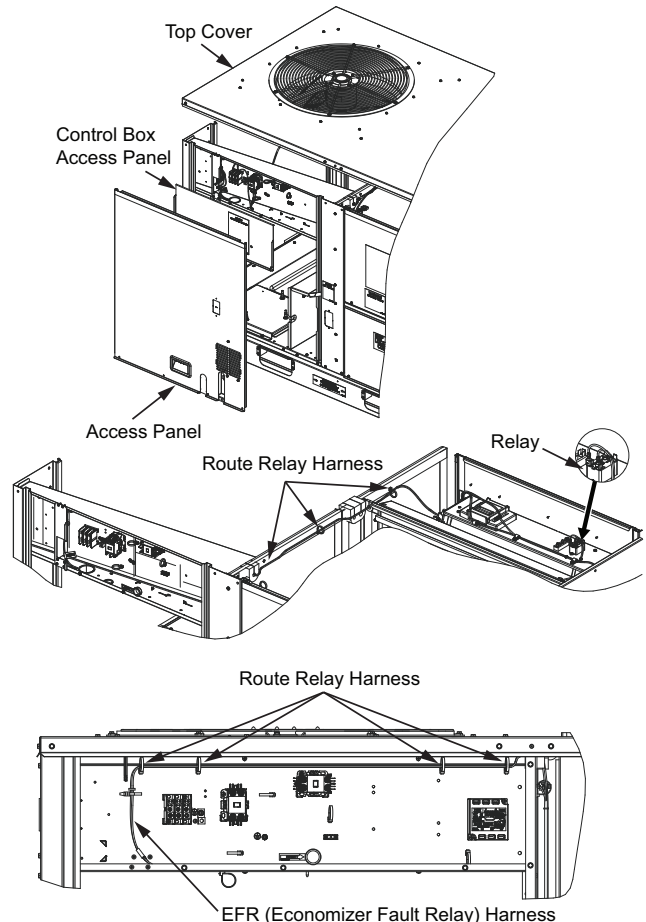
Figure 7. Mating connector plug removal



8. Remove unit top cover and control box access panel. Route relay harness as shown in [Figure 9](#).

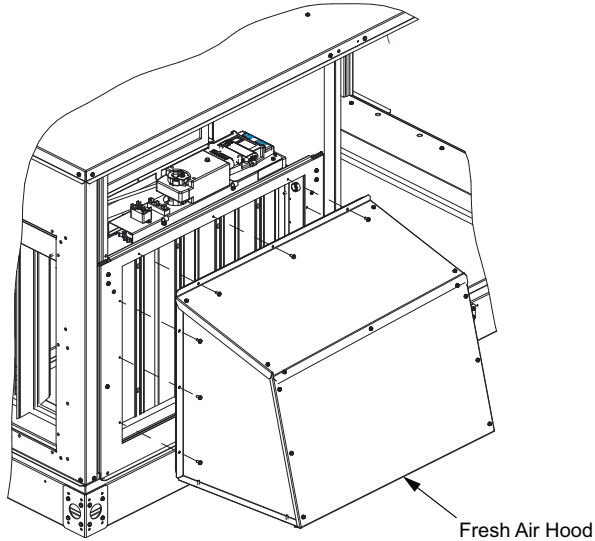
- a. Locate economizer fault relay (EFR) wire harness (wires 163A and 164A looped near economizer section).
- b. Secure unterminated end of the harness with a wire tie in the control panel to the left side of the power terminal block (near the Customer Connection LTB terminal strip).
- c. Connect economizer fault relay (EFR) to smart thermostat. Strip 163A and 164A wires and individually wirenut them to the two fault input wires from the thermostat. Terminate the fault input wires on the appropriate input terminals on the thermostat. The thermostat wires need to be rated for 600V, 105C, and UL 1230 or 1231.
- d. After mounting and powering the thermostat, configure the thermostat to display a fault message (e.g., Economizer Fault) whenever the dry contact input goes high. Consult thermostat's user manual for detailed instructions.
- e. Configure the thermostat Wi-Fi for connection to the Internet. Consult thermostat's user manual for detailed instructions.

Figure 8. Economizer fault relay harness (EFR) routing



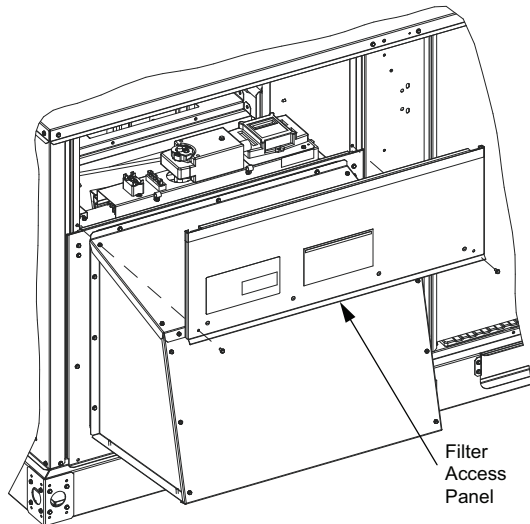
9. Install the fresh air hood build in [Step 5](#) on unit using nine screws and filter access door assembly using 13 screws. See [Figure 10](#).

Figure 9. Fresh air hood installation



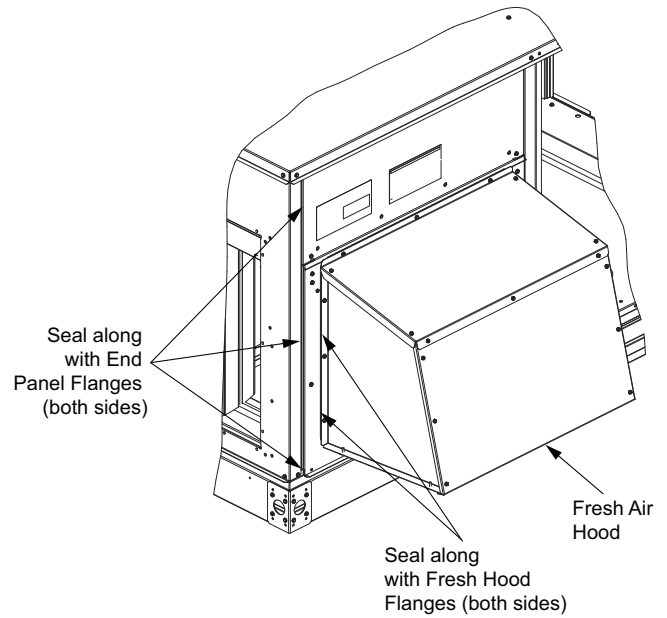
10. Reinstall filter access panel onto unit using two screws. See [Figure 11](#).

Figure 10. Reinstall filter access panel



11. Using field supplied silicone sealant, seal all seams, cracks and gaps around the outdoor air damper as illustrated in [Figure 12](#).

Figure 11. End panel and fresh air hood sealing



Economizer Controller

NOTICE

Electrostatic Discharge!

Electrostatic discharge can short equipment circuitry. Ensure that you are properly grounded before handling sensitive electronic equipment.

Notes:

- At power up or after a power outage or brownout (or if power goes below 18 Vac), the controller begins a **5 minute** power up delay before enabling mechanical cooling. Power must be above 18 Vac for the delay to become functional.
- The controller will be in **Setup** mode for the first **60 minutes** after powered. If a sensor for outside air or one of the Sylk Bus devices (sensor or actuator) is disconnected during the set up mode, the controller will not alarm that failure. The mixed air temperature sensor is a system **critical sensor**; if it is removed during the set up mode the controller will alarm. After 60 minutes the controller will change to **Operation** mode and all components removed or failed will alarm in the operation mode.
- The terminals on MAT, OAT and S-BUS sensors are polarity insensitive.

Controller User Interface and Keypad

The user interface consists of an LCD display and a 4-button keypad on the front of the economizer module. The LCD is a 16 character by 2 line dot matrix display.

Figure 1. Controller user interface and keypad

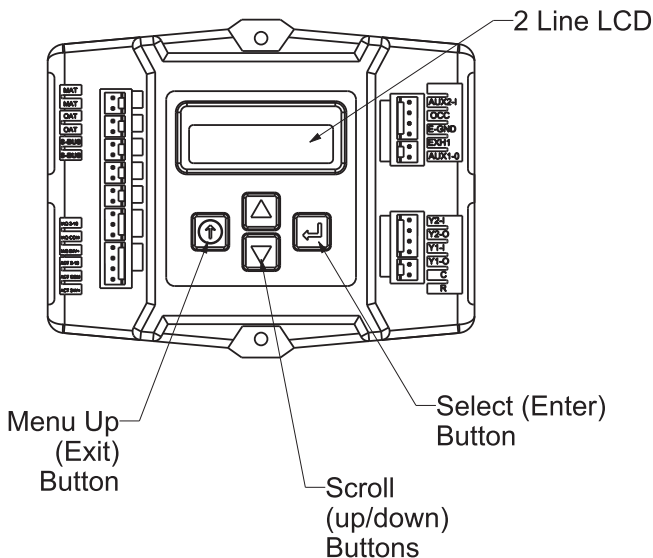








Table 1. Economizer module - left hand terminal blocks



Label	Type	Description
Top Left Terminal Block		
MAT MAT	20k NTC and COM	Mixed Air Temperature Sensor (polarity insensitive connection)
OAT OAT	20k NTC and COM	Outdoor Air Temperature Sensor (polarity insensitive connection)
S-BUS S-BUS	SYLK Bus	Sylk Bus Sensor (polarity insensitive connection)
Bottom Left Terminal Block		
IAQ 2-10	2 to 10 Vdc	Air Quality Sensor Input (e.g. CO2 sensor)
IAQ COM	COM	Air Quality Sensor Common
IAQ 24V	24 Vac	Air Quality Sensor 24 Vac Source
ACT 2-10	2 to 10 Vdc	Damper Actuator Output (2 to 10 Vdc)
ACT COM	COM	Damper Actuator Output Common
ACT 24V	24 Vac	Damper Actuator 24 Vac Source
	n/a	The last pin is not used



Table 2. Economizer module - right hand terminal blocks

Label	Type	Description
Top Right Terminal Block		
	n/a	The first pin is not used
AUX2 I	24 Vac IN	Shut Down (SD) or Heat (W) Conventional only or Heat Pump Changeover (O/B) in Heat Pump mode
OCC	24 Vac IN	Occupied / Unoccupied Input
E-GND	EGND	Earth Ground - System Required
EXH1	24 Vac OUT	Exhaust Fan 1 Output
AUX1 O	24 Vac OUT	Programmable: Exhaust fan 2 Output or ERV or System Alarm output
Bottom Right Terminal Block		
Y2-I	24 Vac IN	Y2 in - Cooling Stage 2 Input from Space Thermostat
Y2-O	24 Vac OUT	Y2 out - Cooling Stage 2 Output to Stage 2 Mechanical Cooling
Y1-I	24 Vac IN	Y1 in - Cooling Stage 1 Input from Space Thermostat
Y1-O	24 Vac OUT	Y1 out - Cooling Stage 1 Output to Stage 1 Mechanical Cooling
C	COM	24 Vac Common
R	24 Vac	24 Vac Power (Hot)

Use of the Keypad When Working with Menus

- Navigate to the desired menu.
- Press the  button (Enter) to display the first item in the currently displayed menu.
- Use the  and  buttons to scroll to the desired parameter.
- Press the  button (Enter) to display the value of the currently displayed item.
- Press the  button to increase (change) the displayed parameter value.
- Press the  button to decrease (change) the displayed parameter value.

Note: When values are displayed, pressing and holding the  or  buttons causes the display to automatically increment.

- Press the  button to accept the displayed value and store it in non-volatile RAM.
- **CHANGE STORED** displays.
- Press the  button (Menu Up) to return to the menu list.

Time-out and Screensaver

When no buttons have been pressed for 10 minutes, the LCD displays a screensaver, which cycles through the Status items. Each Status item displays in turn and cycles to the next item after 5 seconds.

Controller Menu Structure

Important: *Table 4, p. 12 illustrates the complete hierarchy. Menu parameters will be different depending on your configuration. If you do not have a DCV (CO₂) sensor, then none of the DCV parameters appear and only MIN POS will display. If you have a CO₂ sensor, the DCV MIN and DCV MAX will appear AND if you have 2 speed fan DCV MIN (high and low speed) and DCV MAX (high and low speed) will appear.*

The menus in display order are:

- STATUS
- SETPOINTS
- SYSTEM SETUP
- ADVANCED SETUP
- CHECKOUT
- ALARMS

Economizer Controller

Table 3. Controller menu structure

Menu	Parameter	Parameter Default Value	Parameter Range and Increment ^(a)	Parameter Recommended Value ^(b)	Notes
STATUS	ECON AVAIL ^(c)	NO	YES/NO	N/A	YES = Economizing available; the system can use Outdoor Air for free cooling when required.
	ECONOMIZING ^(c)	NO	YES/NO	N/A	YES = Outdoor Air being used for 1 st stage cooling.
	OCCUPIED ^(c)	NO	YES/NO	N/A	YES = OCC signal received from space thermostat or unitary controller. YES = 24 Vac on terminal OCC No = 0 Vac on terminal OCC.
	HEAT PUMP	N/A	COOL HEAT	N/A	HEAT PUMP is not available.
	COOL Y1-IN ^(c)	OFF	ON/OFF	N/A	Y1-I signal from space thermostat or unitary controller for cooling stage 1. ON = 24 Vac on term Y1-I OFF = 0 Vac on term Y1-I
	COOL Y1-OUT ^(c)	OFF	ON/OFF	N/A	Cool Stage 1 Relay Output to mechanical cooling (Y1-OUT terminal).
	COOL Y2-IN ^(c)	OFF	N/A	N/A	COOL Y2-IN is not available.
	COOL Y2-OUT ^(c)	OFF	N/A	N/A	COOL Y2-OUT is not available.
	MA TEMP ^(c)	___ °F	-40 to 140 °F	N/A	Displays value of measured mixed air from MAT sensor. Displays -- if not connected, short, or out-of-range.
	DA TEMP	___ °F	-40 to 140 °F	N/A	DA TEMP is not available.
	OA TEMP ^(c)	___ °F	-40 to 140 °F	N/A	Displays measured value of outdoor air temperature. Displays -- °F if sensor sends invalid value, if not connected, short or out-of-range.
	OA HUM ^(c)	__ %	0 to 100%	N/A	Displays measured value of outdoor humidity from OA Sylk Bus sensor. Displays --% if not connected, short, or out-of-range.
	RA TEMP ^(c)	___ °F	0 to 140 °F	N/A	Displays measured value of return air temperature from RA Sylk Bus sensor. Displays -- °F if sensor sends invalid value, if not connected, short or out-of-range.
	RA HUM ^(c)	__ %	0 to 100%	N/A	Displays measured value of return air humidity from RA Sylk Bus sensor. Displays --% if sensor sends invalid value, if not connected, short or out-of-range.
	IN CO2 ^(c)	___ ppm	0 to 2000 ppm	N/A	Displays value of measured CO ₂ from CO ₂ sensor. Invalid if not connected, short or out-of-range. May be adjusted in Advanced menu by Zero offset and Span. 0 to 10 Vdc CO ₂ sensors require CO ₂ ZERO to be 400 and CO ₂ SPAN to be 1600 in Advanced Setup menu.
	DCV STATUS ^(c)	N/A	ON/OFF	N/A	Displays ON if above setpoint and OFF if below setpoint, and ONLY if a CO ₂ sensor is connected.
	DAMPER OUT ^(c)	2.0V	2.0 to 10.0 V	N/A	Displays output voltage or position to the damper actuator. ^(d)
	ACT POS ^(c)	N/A	0 to 100%	N/A	Displays actual position of actuator.
	ACT COUNT ^(c)	N/A	1 to 65,535	N/A	Displays number of times actuator has cycled. 1 Cycle equals the sum of 180° of movement in any direction.
	ACTUATOR ^(c)	N/A	OK/Alarm (on Alarm menu)	N/A	Displays Error if voltage or torque is below actuator range
	EXH1 OUT ^(c)	OFF	ON/OFF	N/A	Output of EXH1 terminal. Displays ON when damper position reaches programmed percentage setpoint. ON = 24 Vac Output; OFF = No Output.
	EXH2 OUT	OFF	ON/OFF	N/A	EXH2 OUT is not available.
	ERV	OFF	ON/OFF	N/A	ERV is not available.
	MECH COOL ON ^(c)	0	0, 1, or 2	N/A	Displays number of mechanical cooling stages that are active.
FAN SPEED ^(c)	N/A	LOW or HIGH	N/A	Displays speed of fan on a 2-speed fan unit	
W (HEAT IN) ^(c)	N/A	ON/OFF	N/A	Displays status of heat on a 2-speed fan unit.	

Table 3. Controller menu structure (continued)

Menu	Parameter	Parameter Default Value	Parameter Range and Increment ^(a)	Parameter Recommended Value ^(b)	Notes
SETPOINTS	MAT SET ^(c)	53°F	38 to 70°F; increment by 1	53°F	The economizer will modulate the OA damper to maintain the mixed air temperature at the setpoint.
	LOW T LOCK ^(c)	32°F	-45 to 80°F; increment by 1	32°F	Setpoint determines outdoor temperature when the mechanical cooling cannot be turned on. Commonly referred to as the Compressor lockout. At or below the setpoint the Y1-O will not be energized on the controller.
	DRYBLB SET ^(c)	63°F	48 to 80°F; increment by 1	67°F	Setpoint determines where the economizer will assume outdoor air temperature is good for free cooling; e.g.; at 63°F setpoint unit will economize at 62°F and below and not economize at 64 °F and above. There is a 2°F deadband.
	ENTH CURVE ^(c)	ES3	ES1, ES2, ES3, ES4, or ES5	ES3	Enthalpy boundary curves for economizing using single enthalpy. See Table for description of enthalpy curves.
	DCV SET ^(c)	1100ppm	500 to 2000 ppm increment by 100	1100ppm	Displays ONLY if a CO ₂ sensor is connected. Setpoint for Demand Control Ventilation of space. Above the setpoint, the OA dampers will modulate open to bring in additional OA to maintain a space ppm level below the setpoint.
	MIN POS ^(c)	2.8 V	2 to 10 Vdc	2.8V/3.2V LO/2.8V HI	Displays ONLY if a CO ₂ sensor is NOT connected. With 2-speed fan units MIN POS L (low speed fan) and MIN POS H (high speed fan) settings are required. Default for MIN POS L is 3.2V and MIN POS H is 2.8V.
	VENTMAX ^(c)	2.8 V	2 to 10 Vdc or 100 to 9990 cfm increment by 10	2.8V/3.2V LO/2.8V HI	Displays only if a CO ₂ sensor is connected. Used for Vbz (ventilation max cfm) setpoint. VENTMAX is the same setting as MIN POS would be if you did not have the CO ₂ sensor. Displays 2 to 10 V if <3 sensors (RA,OA and MA). In DCV CAL ENABLE AUTO mode dampers controlled by CFM With 2-speed fan units VENTMAX L (low speed fan) and VENTMAX H (high speed fan) settings are required. Default for VENTMAX L is 3.2V and VENTMAX H is 2.8V.
	VENTMIN ^(c)	2.25 V	2 to 10 Vdc or 100 to 9990 cfm increment by 10	2.25V/2.5V LO/2.25V HI	Displays only if CO ₂ sensor is connected. Used for Va (ventilation min cfm) setpoint. This is the ventilation for less than maximum occupancy of the space. Displays 2 to 10 V if <3 sensors (RA,OA and MA). Va is only set if DCV is used. In DCV CAL ENABLE AUTO mode dampers controlled by CFM With 2-speed fan units VENTMIN L (low speed fan) and VENTMIN H (high speed fan) settings are required. Default for VENTMIN L is 2.5V and VENTMIN H is 2.25V.
	ERV OAT SP	32°F	0 to 50°F; increment by 1	N/A	ERV OAT SP is not available.
	EXH1 SET ^(c)	50%	1 to 100%; increment by 1	50%/65% LO/50% HI	Setpoint for OA damper position when exhaust fan 1 is powered by the economizer. With 2-speed fan units Exh1 L (low speed fan) and Exh1 H (high speed fan) settings are required. Default for Exh1 L is 65% and Exh1 H is 50%
EXH2 SET	75%	0 to 100%; increment by 1	N/A	EXH2 SET is not available.	

Economizer Controller

Table 3. Controller menu structure (continued)

Menu	Parameter	Parameter Default Value	Parameter Range and Increment ^(a)	Parameter Recommended Value ^(b)	Notes
SYSTEM SETUP	INSTALL ^(c)	1/1/2011		Present date	Display order = MM/DD/YY Setting order = DD, MM, then YY.
	UNITS DEG ^(c)	°F	°F or °C	°F	Sets economizer controller in degrees Fahrenheit or Celsius.
	EQUIPMENT ^(c)	CONV	CONV HP	CONV	CONV = conventional. HP is not available.
	AUX2 I ^(c)	N/A	Shutdown (SD) Heat (W1) HP(O) HP(B)	Heat (W1)	In CONV mode: SD = Enables configuration of shutdown (default); W = Informs controller that system is in heating mode. NOTE: If using 2-speed fan mode, you must program CONV mode for W. Shutdown is not available in the two-speed fan mode. In HP O/B mode: HP(O) = energize heat pump on Cool (default); HP(B) = energize heat pump on Heat.
	FAN SPEED ^(c)	1 speed	1 speed/ 2 speed	See unit nameplate: Digit 15 = 0 or 1 - 1 speed; Digit 15 = 7 or 9 - 2 speed	Sets economizer controller for operation of 1 speed or 2 speed supply fan. The controller does not control the fan but positions the OA and RA dampers to the heating or cooling mode. See page 23 for modes and position. NOTE: 2-speed fan option also needs Heat (W1) programmed in AUX 2 In.
	FAN CFM ^(c)	5000cfm	100 to 15000 cfm; increment by 100	5000cfm	This is the capacity of the RTU. The value is found in the Unit Catalog. The cfm of the fan is only used with DCV CAL ENABLE AUO
	AUX1 OUT	NONE	NONE ERV EXH2 SYS	NONE	AUX1 OUT is a programmable output used for System Alarm output.
	OCC ^(c)	INPUT	INPUT or ALWAYS	ALWAYS	When using a setback thermostat with occupancy out (24 Vac), the 24 Vac is input INPUT to the OCC terminal. If no occupancy output from the thermostat then change program to ALWAYS OR add a jumper from terminal R to OCC terminal.
	FACTORY DEFAULT ^(c)	NO	NO or YES	NO	Resets all set points to factory defaults when set to YES. LCD will briefly flash YES and change to NO but all parameters will change to factory default values.
ADVANCED SETUP	MA LO SET ^(c)	45°F	35 to 55°F; increment by 1°F	45°F	Temp to activate Freeze Protection (close damper or modulate to MIN POS if temp falls below set value)
	FREEZE POS ^(c)	CLO	CLO MIN	CLO	Damper position when freeze protection is active (closed or MIN POS).
	CO2 ZERO ^(c)	0ppm	0 to 500 ppm; increment by 10	0ppm	CO ₂ ppm level to match CO ₂ sensor start level. 0 to 10 Vdc CO ₂ sensors require CO ₂ ZERO to be 400.
	CO2 SPAN ^(c)	2000ppm	1000 to 3000 ppm; increment by 50	2000ppm	CO ₂ ppm span to match CO ₂ sensor; e.g., 500 to 1500 sensor output would be 500 CO ₂ zero and 1000 CO ₂ span. 0 to 10 Vdc CO ₂ sensors require CO ₂ SPAN to be 1600.
	STG3 DLY	2.0h	0 min, 5 min, 15 min, then 15 min intervals. Up to 4h or OFF	2.0h	Delay after stage 2 for cool has been active. Turns on 2nd stage of mechanical cooling when economizer is 1st stage call and mechanical cooling is 2nd stage call. Allows three stages of cooling, 1 economizer and 2 mechanical. OFF = no Stage 3 cooling.

Table 3. Controller menu structure (continued)

Menu	Parameter	Parameter Default Value	Parameter Range and Increment ^(a)	Parameter Recommended Value ^(b)	Notes
ADVANCED SETUP	SD DMPR POS	CLO	CLO OPN	CLO	Indicates shutdown signal from space thermostat or unitary controller. When controller receives 24 Vac input on the SD terminal in conventional mode, the OA damper will open if programmed for OPN and OA damper will close if programmed for CLO. All other controls, e.g., Y1-O, EXH1, etc. will shutoff.
	DCVCAL ENA	MAN	MAN (manual) AUTO	MAN	Turns on the DCV automatic control of the dampers. Resets ventilation based on the RA, OA and MA sensor conditions. Requires all sensors (RA, OA, MA and CO ₂). This operation is not operable with a 2-speed fan unit.
	MAT T CAL ^(c)	0.0 F°	(+/-2.5°F)	0.0 F°	Allows for the operator to adjust for an out of calibration temperature sensor
	OA T CAL ^(c)	0.0 F°	(+/-2.5°F)	0.0 F°	Allows for the operator to adjust for an out of calibration temperature sensor
	OA H CAL ^(c)	0% RH	(+/-10% RH)	0% RH	Allows for the operator to adjust for an out of calibration humidity sensor
	RA T CAL ^(c)	0.0 F°	(+/-2.5°F)	0.0 F°	Allows for the operator to adjust for an out of calibration temperature sensor
	RA H CAL ^(c)	0% RH	(+/-10% RH)	0% RH	Allows for the operator to adjust for an out of calibration humidity sensor
	DAT CAL ^(c)	0.0 F°	(+/-2.5°F)	0.0 F°	DAT CAL is not available.
2SP FAN DELAY ^(c)	5 Minutes	0 to 20 minutes in 1 minute increments.	5 Minutes	When in economizing mode this is the delay for the high speed fan to try to satisfy the call for second stage cooling before the first stage mechanical cooling is enabled.	
CHECKOUT	DAMPER VMIN-HS	N/A	N/A	N/A	Positions damper to VMIN position.
	DAMPER VMAX-HS (LS) ^(c)	N/A	N/A	N/A	Positions damper to VMAX position. With 2-speed fan units the damper will position to VMAX low speed fan.
	DAMPER OPEN ^(c)	N/A	N/A	N/A	Positions damper to the full open position. Exhaust fan contacts enable during the DAMPER OPEN test. Make sure you pause in this mode to allow for exhaust contacts to energize due to the delay in the system.
	DAMPER CLOSE ^(c)	N/A	N/A	N/A	Positions damper to the fully closed position.
	CONNECT Y1-O ^(c)	N/A	N/A	N/A	Closes the Y1-O relay (Y1-O). See "Electrostatic Discharge!," p. 17
	CONNECT Y2-O ^(c)	N/A	N/A	N/A	N/A
	CONNECT AUX1-O ^(c)	N/A	N/A	N/A	CONNECT AUX1 O energizes the AUX1-O output. If AUX1-O setting is: <ul style="list-style-type: none"> • NONE — No action taken • ERV — 24 Vac out. Turns on or signals an ERV that the conditions are not good for economizing but are good for ERV operation. • SYS — 24 Vax out. Issues a system alarm.
CONNECT EXH1 ^(c)	N/A	N/A	N/A	Closes the power exhaust fan 1 relay (EXH1)	
ALARMS _() ^(e)	MAT SENS ERR	N/A	N/A	N/A	
	CO2 SENS ERR ^(c)	N/A	N/A	N/A	
	OAT SENS ERR ^(c)	N/A	N/A	N/A	
	DA ENTHL ERR	N/A	N/A	N/A	DA ENTHL ERR is not available.
	SYS ALARM	N/A	N/A	N/A	When AUX1-O is set to SYS and there is any alarm the AUX1-O terminal has 24 Vac out.
	ACT UNDER V ^(c)	N/A	N/A	N/A	Voltage received by Actuator is above expected range
	ACT OVER V ^(c)	N/A	N/A	N/A	Voltage received by Actuator is below expected range
ACT STALLED ^(c)	N/A	N/A	N/A	Actuator stopped before achieving commanded position	

(a) When values are displayed, pressing and holding the Up or Down button causes the display to automatically increment.

(b) N/A = Not Applicable

(c) This parameter is directly associated with the LLE economizer.

(d) The Honeywell™ communicating actuator will report in XX.X% open versus XX.X Vdc for damper out.

(e) Alarms display only when they are active. The menu title **ALARMS** () includes the number of active alarms in parenthesis ().

Economizer Controller

Sequence of Operation

Table 4. Dry bulb operation no DCV (CO₂ sensor) - 1 speed fan

DCV	OA Good to economize?	Y1-I	FAN SPD	Y1-O	Occupied	Unoccupied
None	No	Off	High	0-v/Off	MIN POS	Closed
		On	High	24-v/On	MIN POS	Closed
None	Yes	Off	High	0-v/Off	MIN POS	Closed
		On	High	0-v/Off	MIN POS to Full- Open	Closed to Full-Open
		On	High	24-v/On	MIN POS to Full- Open	Closed to Full-Open

Table 5. Dry bulb operation with DCV (CO₂ sensor) - 1 speed fan

DCV	OA Good to economize?	Y1-I	FAN SPD	Y1-O	Occupied	Unoccupied
Below CO ₂ set	No	Off	High	0-v/Off	VENTMIN	Closed
		On	High	24-v/On	VENTMIN	Closed
	Yes	Off	High	0-v/Off	VENTMIN	Closed
		On	High	0-v/Off	VENTMIN to Full- Open	Closed to Full-Open
		On	High	24-v/On	VENTMIN to Full- Open	Closed to Full-Open
Above CO ₂ set	No	Off	High	0-v/Off	VENTMIN to VENTMAX	Closed
		On	High	24-v/On	VENTMIN to VENTMAX	Closed
	Yes	Off	High	0-v/Off	VENTMIN to VENTMAX	Closed
		On	High	0-v/Off	VENTMIN to Full- Open	Closed to Full-Open
		On	High	24-v/On	VENTMIN to Full- Open	Closed to Full-Open

Table 6. Enthalpy operation no DCV (CO₂ sensor) - 1 speed fan

DCV	OA Good to economize?	Y1-I	FAN SPD	Y1-O	Occupied	Unoccupied
None	No	Off	High	0-v/Off	MIN POS	Closed
		On	High	24-v/On	MIN POS	Closed
None	Yes	Off	High	0-v/Off	MIN POS	Closed
		On	High	0-v/Off	MIN POS to Full- Open	Closed to Full-Open
		On	High	24-v/On	MIN POS to Full- Open	Closed to Full-Open

Table 7. Enthalpy operation with DCV (CO₂ sensor) - 1 speed fan

DCV	OA Good to economize?	Y1-I	FAN SPD	Y1-O	Occupied	Unoccupied
Below set	No	Off	High	0-v/Off	VENTMIN	Closed
		On	High	24-v/On	VENTMIN	Closed
	Yes	Off	High	0-v/Off	VENTMIN	Closed
		On	High	0-v/Off	VENTMIN to Full- Open	Closed to Full-Open
		On	High	24-v/On	VENTMIN to Full- Open	Closed to Full-Open

Table 7. Enthalpy operation with DCV (CO₂ sensor) - 1 speed fan (continued)

DCV	OA Good to economize?	Y1-I	FAN SPD	Y1-O	Occupied	Unoccupied
Above set	No	Off	High	0-v/Off	VENTMIN to VENTMAX	Closed
		On	High	24-v/On	VENTMIN L to VENTMAX	Closed
	Yes	Off	High	0-v/Off	VENTMIN L to VENTMAX	Closed
		On	High	0-v/Off	VENTMIN to Full- Open	Closed to Full-Open
		On	High	DELAY 24-v/On	VENTMIN to Full- Open	Closed to Full-Open

Initiation of Operating Modes

The JADE controller is able to initiate the following modes: Compressor, Economizer, Fans, Heating System, and Cooling System.

Compressor mode is initiated by either the OAT going above the DRYBLB SET setting or by the thermostat initiating a call to cool when the damper is at 100 percent open. The Economizer mode is controlled by the MAT getting above the MAT SET setting while the OAT is below the DRYBLB SET setting. While the fans are not controlled by the controller, the Fan mode is dependent on what state the system is in (OCC or Y1 states will cause the damper to go to a LOW fan speed damper setting, while W state will cause the controller to open the damper to the HIGH fan speed damper setting). The Heating System mode requires an input to the AUX2-1 terminal from the thermostat, and the Cooling System mode requires an input to the Y1 IN terminals from the thermostat.

Economizer Setup and Configuration (Field and Factory Installed Option)

Before being placed into service the controller must be setup and configured for the installed system.

Important: During setup, the economizer controller is live at all times.

- Using the keypad on the controller scroll through the Setpoints, System Setup, and Advanced Setup menus and verify or set/change the parameters. See [Table 4, p. 12](#).
- Install front filter access panel back on to unit and secure with previous screws.

Notes:

- The W (heating mode) is not controlled by the controller but it requires the status to know where to position the outside air damper for minimum position for the fan speed.
- All setpoints and advanced settings are restored after any power loss or interruption.

Enthalpy Settings

NOTICE

Electrostatic Discharge!
Electrostatic discharge can short equipment circuitry. Ensure that you are properly grounded before handling sensitive electronic equipment.

When the outside air temperature, enthalpy, and dew point are below the respective setpoints, the outdoor air can be used for economizing. See [Figure 14, p. 18](#).

Note: The controller calculates the enthalpy and dew point using the outside air temperature and humidity input from the outside air sensor.

- There are 5 boundaries (setpoints ES1 through ES5), which are defined by dry bulb temperature, enthalpy and dew point. See [Table 9, p. 17](#).
- When conditions are below the selected boundary, the economizer sets the economizing mode to YES and economizing is available. When conditions are above the selected boundary, the conditions are not good to economize and the mode is set to NO.

Note: When using the enthalpy (Syk Bus) sensors, there will be a slight delay while the controller and the sensor communicate. Analog sensors do not communicate on the Syk Bus and output a 20k ohm signal to the controller with an instantaneous response time.

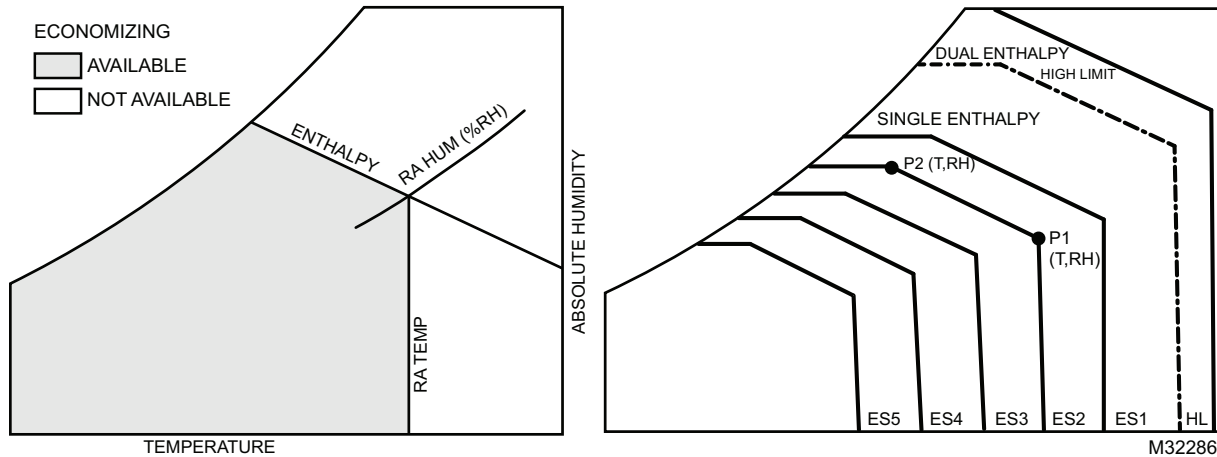
Table 8. Single enthalpy and dual enthalpy boundaries (parameters ES1 through ES5)

Enth. Curve	Temp. dry-Bulb (°F)	Temp. dew point (°F)	Enth. (btu/lb/da)	Point P1		Point P2	
				Temp. °F	Humid. %RH	Temp. °F	Humid. %RH
ES1	80.0	60.0	28.0	80.0	36.8	66.3	80.1
ES2	75.0	57.0	26.0	75.0	39.6	63.3	80.0
ES3	70.0	54.0	24.0	70.0	42.3	59.7	81.4
ES4	65.0	51.0	22.0	65.0	44.8	55.7	84.2
ES5	60.0	48.0	20.0	60.0	46.9	51.3	88.5
HL	86.0	66.0	32.4	86.0	38.9	72.4	80.3

Note: For differential enthalpy there is a high limit boundary. The high limit boundary is ES1 when there are no stages of mechanical cooling energized and HL when a compressor stage is energized.

Economizer Controller

Figure 2. Single enthalpy curve and boundaries



Note: When the OA temperature, OA humidity, and the OA dew point are all below the selected boundary, the economizer sets the economizing mode to YES (economizing is available).

Powered Exhaust

To configure the LLE controller, set EXH1 SET in the SETPOINTS menu.

CO₂ Sensor

This optional sensor can be added for Demand Control Ventilation (DCV) functionality. To configure the JADE controller, set the following parameters:

SETPOINTS Menu:

DCV SET = desired CO₂ ppm to start DCV

VENTMAX = desired maximum position w/DCV and occupied status

VENTMIN = desired minimum position w/DCV and occupied status

ADVANCED SETUP Menu:

CO₂ ZERO = set to detectors start level

CO₂ SPAN = detector's max level minus start level

Attach the sensor to the CO₂ and R terminals (at customer connections).

Note: When using any 0 to 10 Vdc CO₂ sensor with the JADE set CO₂ ZERO to 400 ppm and the CO₂ SPAN to 1600 ppm in the ADVANCED SETUP menu.

Occupancy Sensor

A customer-supplied occupancy sensor can also be added to provide damper control based on occupied/unoccupied conditions. To configure the JADE controller, set:

SYSTEM SETUP menu: OCC = INPUT

Attach the occupancy sensor to the OCC SENSOR wire and R terminal (at customer connections). The occupancy sensor must utilize a normally open contact for proper operation.

If an occupancy sensor is not used, another option to controlling occupied and unoccupied status is to use the G input (fan is running). Connect the G input to the OCC SENSOR wire (at customer connections). The controller will then operate in the occupied mode every time the indoor fan is running.

Checkout

⚠ WARNING

Hazardous Voltage!

Failure to disconnect power before servicing could result in death or serious injury.

Disconnect all electric power, including remote disconnects before servicing. Follow proper lockout/tagout procedures to ensure the power can not be inadvertently energized. Verify that no power is present with a voltmeter.

Inspect all wiring connections at the economizer modules terminals, and verify compliance with the installation wiring diagrams.

For checkout, review the status of each configured parameter and perform the checkout tests.

Power Up

After the module is mounted and wired, apply power.

Power Up Delay

At power up (or after a power outage or brownout), the controller module begins a 5 minute power up delay before enabling mechanical cooling.

Initial Menu Display

On initial start-up, **Honeywell** displays on the first line and **Economizer W7220** on the second line. After a brief pause, the revision of the software appears on the first line and the second line will be blank.

Power Loss

All setpoints and advanced settings are restored after any power loss or interruption.

Note: *If power goes below 18 Vac, the controller module assumes a power loss and the 5 minute power up delay will become functional when power returns above 18 Vac.*

Status

Use the Status menu (see [Table 4, p. 12](#)) to check the parameter values for the various devices and sensors configured.

Note: *See “Controller User Interface and Keypad,” p. 10” for information about menu navigation and use of the keypad.*


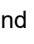



Checkout Tests

NOTICE

Compressor Damage!
Failure to ensure enough time for compressor start-up and shutdown between checkout tests could result in compressor damage.
Do not short-cycle compressors.

Use the Checkout menu ([Table 4, p. 12](#)) to test the damper operation and any configured outputs. Only items that are configured are shown in the Checkout menu.

To perform checkout tests:

1. Scroll to the desired test in the Checkout menu using the  and  buttons.
2. Press the  button to select the item.
3. **RUN?** is displayed.
4. Press  to start the test.
5. The unit pauses and then displays **IN PROGRESS**.
6. When the test is complete, **DONE** appears.
7. When all parameters have been tested, press  (Menu Up) to end the test (e.g. turn off the relay).

Notes:

- *The checkout tests can all be performed at the time of installation or any time during the operation of the system.*
- *To disable economizer for functional testing (optional), use 10 mm wrench to loosen shaft coupling on actuator. After testing, securely tighten coupling onto damper shaft using minimum 120 lb-in. (13.6 Nm) to maximum 180 lb-in. (20.3 Nm) torque.*

Troubleshooting

⚠ WARNING

Hazardous Voltage!
Failure to disconnect power before servicing could result in death or serious injury.
Disconnect all electric power, including remote disconnects before servicing. Follow proper lockout/tagout procedures to ensure the power can not be inadvertently energized. Verify that no power is present with a voltmeter.

NOTICE

Compressor Damage!
Failure to ensure enough time for compressor start-up and shutdown between checkout tests could result in compressor damage.
Do not short-cycle compressors.

The economizer controller provides alarm messages that display on the 2-line LCD.

If one or more alarms are present and there has been no keypad activity for at least 5 minutes, the Alarms menu displays and cycles through the active alarms.

You can also navigate to the Alarms menu at any time.

Note: *Upon power up, the module waits 60 minutes before checking for alarms. This allows time for all the configured devices (e.g. sensors, actuator) to become operational. The exception is the MA sensor which will alarm immediately.*



Table 9. FDD troubleshooting


TESTS	FAULTS				
	Air temp. sensor failure/fault	Not economizing when it should	Economizing when it should not	Damper not modulating	Excess outdoor air
Damper Stuck Open			x	x	x
Damper Stuck at Minimum		x		x	
Bad or Unplugged Actuator		x	x	x	
Sensor Hard Failure	x	x	x		x
Actuator Mechanically Disconnected		x	x	x	x

Economizer Controller

To Clear an Alarm

Once the alarm has been identified and the cause has been removed (e.g. replaced faulty sensor), the alarm can be cleared from the display.

1. Navigate to the desired alarm.
2. Press .
3. **ERASE?** is displayed.
4. Press .
5. **ALARM ERASED** is displayed.

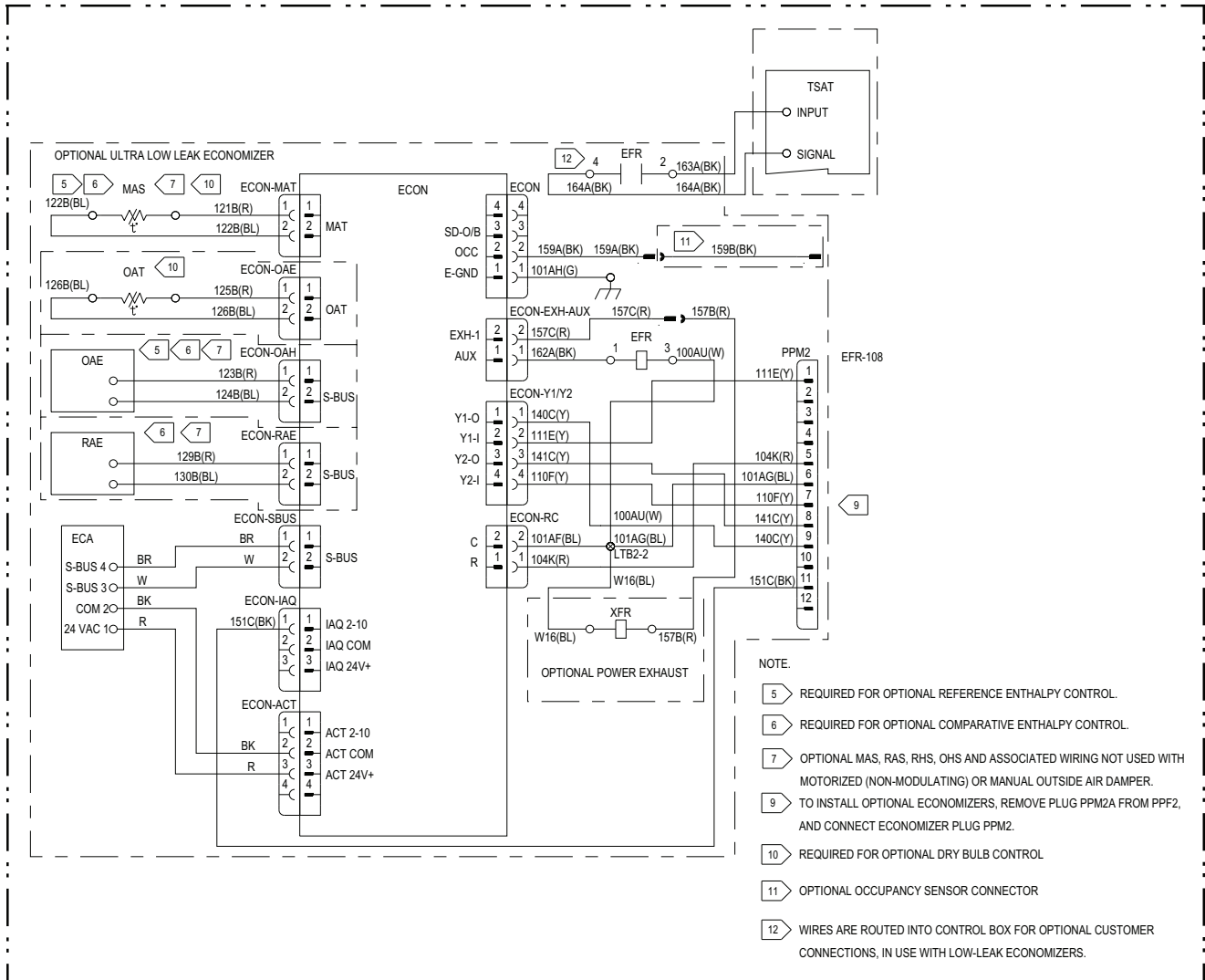
6. Press  (Menu Up) to complete the action and return to the previous menu.

Note: If an alarm still exists after you clear it, it redisplay within 5 seconds.

Fault Detection and Diagnostics (FDD) Certification

The JADE controller is a certified FDD product (HJW10) by California Title 24, Part 6.

Figure 3. Ultra low leak economizer wiring diagram



Notes

Trane and American Standard create comfortable, energy efficient indoor environments for commercial and residential applications. For more information, please visit trane.com or americanstandardair.com.

Trane and American Standard have a policy of continuous product and product data improvement and reserve the right to change design and specifications without notice. We are committed to using environmentally conscious print practices.