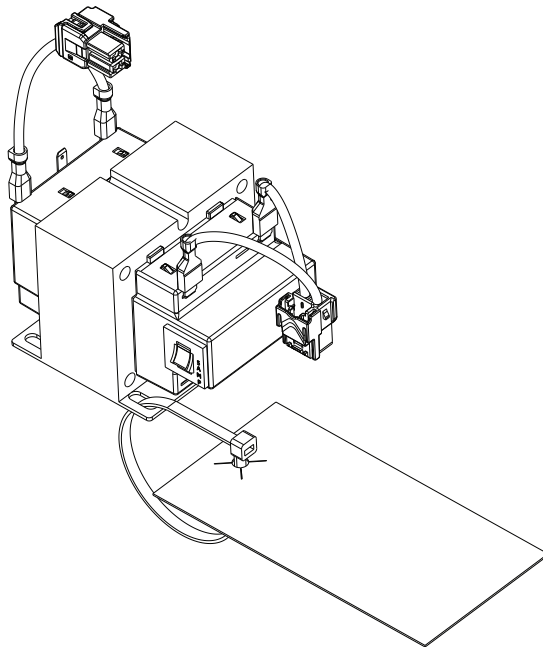


Installation Guide

Transformer

Odyssey™ Split System Air Handlers with Symbio™ Controls, 6 to 25 Tons



BAYTFMR014: TWE****3****A*, TWE****1****A*

BAYTFMR015: TWE****4****A*

BAYTFMR016: TWE****W****A*

BAYTFMR017: TWE****D****A*, TWE****K****A*

BAYTFMR018: TWE****3*A***B*, TWE****1*A***B*

BAYTFMR019: TWE****4*A***B*

BAYTFMR020: TWE****W*A***B*

BAYTFMR021: TWE****D*B***A*, TWE****K*AB**A*

▲ SAFETY WARNING

Only qualified personnel should install and service the equipment. The installation, starting up, and servicing of heating, ventilating, and air-conditioning equipment can be hazardous and requires specific knowledge and training. Improperly installed, adjusted or altered equipment by an unqualified person could result in death or serious injury. When working on the equipment, observe all precautions in the literature and on the tags, stickers, and labels that are attached to the equipment.

Introduction

Read this manual thoroughly before operating or servicing this unit.

Warnings, Cautions, and Notices

Safety advisories appear throughout this manual as required. Your personal safety and the proper operation of this machine depend upon the strict observance of these precautions.

The three types of advisories are defined as follows:



Indicates a potentially hazardous situation which, if not avoided, could result in death or serious injury.



Indicates a potentially hazardous situation which, if not avoided, could result in minor or moderate injury. It could also be used to alert against unsafe practices.

NOTICE

Indicates a situation that could result in equipment or property-damage only accidents.

Important Environmental Concerns

Scientific research has shown that certain man-made chemicals can affect the earth's naturally occurring stratospheric ozone layer when released to the atmosphere. In particular, several of the identified chemicals that may affect the ozone layer are refrigerants that contain Chlorine, Fluorine and Carbon (CFCs) and those containing Hydrogen, Chlorine, Fluorine and Carbon (HCFCs). Not all refrigerants containing these compounds have the same potential impact to the environment. Trane advocates the responsible handling of all refrigerants.

Important Responsible Refrigerant Practices

Trane believes that responsible refrigerant practices are important to the environment, our customers, and the air conditioning industry. All technicians who handle refrigerants must be certified according to local rules. For the USA, the Federal Clean Air Act (Section 608) sets forth the requirements for handling, reclaiming, recovering and recycling of certain refrigerants and the equipment that is used in these service procedures. In addition, some states or municipalities may have additional requirements that must also be adhered to for responsible management of refrigerants. Know the applicable laws and follow them.

WARNING

Proper Field Wiring and Grounding Required!

Failure to follow code could result in death or serious injury.

All field wiring MUST be performed by qualified personnel. Improperly installed and grounded field wiring poses FIRE and ELECTROCUTION hazards. To avoid these hazards, you MUST follow requirements for field wiring installation and grounding as described in NEC and your local/state/national electrical codes.

WARNING

Personal Protective Equipment (PPE) Required!

Failure to wear proper PPE for the job being undertaken could result in death or serious injury.

Technicians, in order to protect themselves from potential electrical, mechanical, and chemical hazards, **MUST** follow precautions in this manual and on the tags, stickers, and labels, as well as the instructions below:

- **Before installing/servicing this unit, technicians MUST put on all PPE required for the work being undertaken (Examples; cut resistant gloves/sleeves, butyl gloves, safety glasses, hard hat/bump cap, fall protection, electrical PPE and arc flash clothing). ALWAYS refer to appropriate Safety Data Sheets (SDS) and OSHA guidelines for proper PPE.**
- **When working with or around hazardous chemicals, ALWAYS refer to the appropriate SDS and OSHA/GHS (Global Harmonized System of Classification and Labelling of Chemicals) guidelines for information on allowable personal exposure levels, proper respiratory protection and handling instructions.**
- **If there is a risk of energized electrical contact, arc, or flash, technicians MUST put on all PPE in accordance with OSHA, NFPA 70E, or other country-specific requirements for arc flash protection, PRIOR to servicing the unit. NEVER PERFORM ANY SWITCHING, DISCONNECTING, OR VOLTAGE TESTING WITHOUT PROPER ELECTRICAL PPE AND ARC FLASH CLOTHING. ENSURE ELECTRICAL METERS AND EQUIPMENT ARE PROPERLY RATED FOR INTENDED VOLTAGE.**

⚠ WARNING

Follow EHS Policies!

Failure to follow instructions below could result in death or serious injury.

- All Trane personnel must follow the company's Environmental, Health and Safety (EHS) policies when performing work such as hot work, electrical, fall protection, lockout/tagout, refrigerant handling, etc. Where local regulations are more stringent than these policies, those regulations supersede these policies.
- Non-Trane personnel should always follow local regulations.

⚠ WARNING

Cancer and Reproductive Harm!

This product can expose you to chemicals including lead and bisphenol A (BPA), which are known to the State of California to cause cancer and birth defects or other reproductive harm. For more information go to www.P65Warnings.ca.gov.

Copyright

This document and the information in it are the property of Trane, and may not be used or reproduced in whole or in part without written permission. Trane reserves the right to revise this publication at any time, and to make changes to its content without obligation to notify any person of such revision or change.

Trademarks

All trademarks referenced in this document are the trademarks of their respective owners.

Revision History

Updated maximum tonnage from 12.5 tons to 25 tons in coverpage.

General Information

The transformers referred to in this installation manual are used with air handlers that do not have a source of 24 Vac power—either factory-installed transformer in the air handler or a 24 Vac transformer in the outdoor unit that powers the air handler.

An alternative use of these accessory transformers is to power the 24 Vac loads in the air handler, thereby reducing the load on the 24 Vac transformer in the condensing unit.

Table 1. Transformer kits

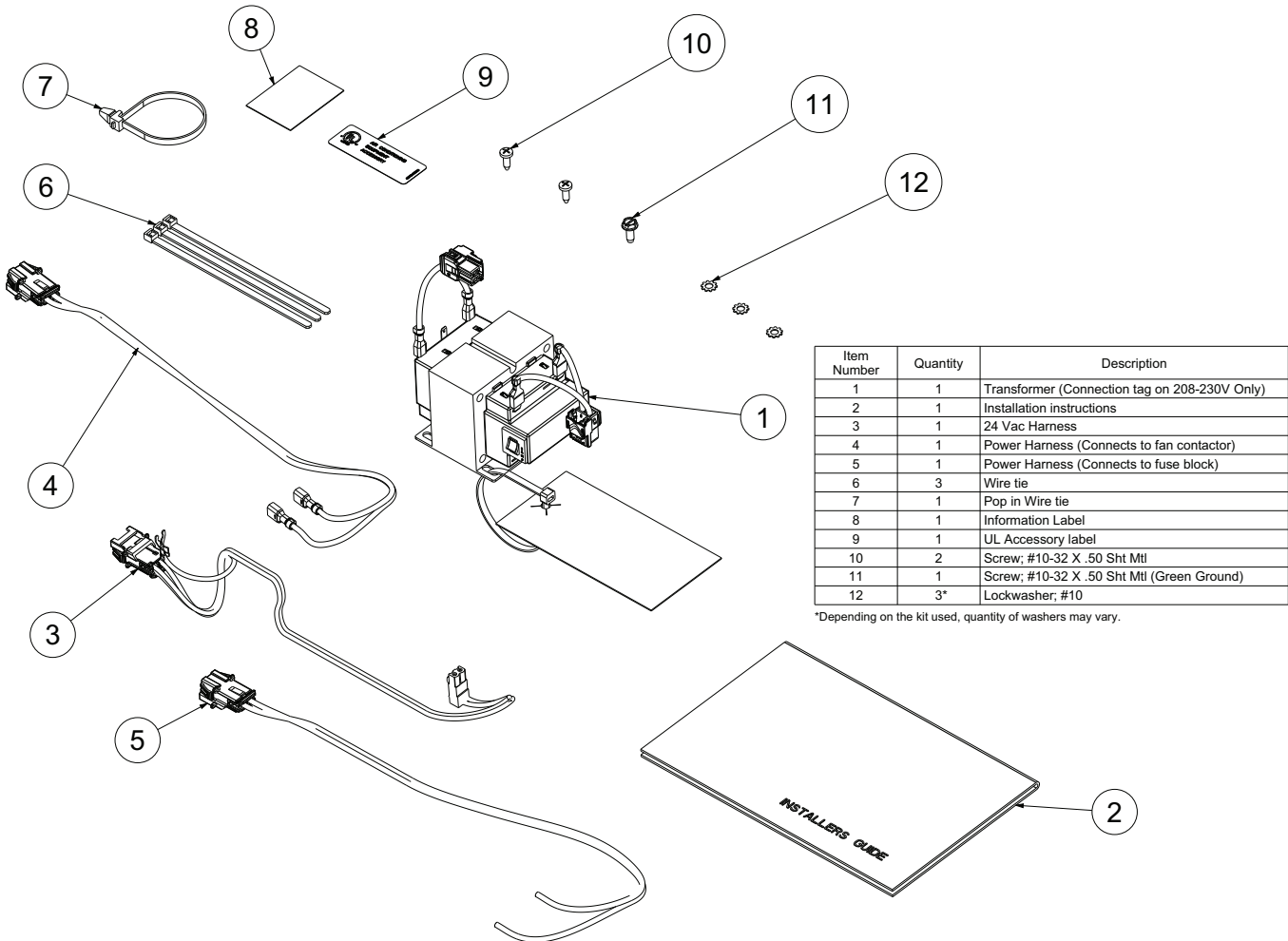
Transformer	Voltage	Unit(s) with unit model number digit 15=1 or C
BAYTFMR014	208/230	TWE****3*****A*, TWE****1*****A*
BAYTFMR015	460	TWE****4*****A*
BAYTFMR016	575	TWE****W*****A*

Table 1. Transformer kits (continued)

Transformer	Voltage	Unit(s) with unit model number digit 15=1 or C
BAYTFMR017	400	TWE****D*****A*, TWE****K*****A*
BAYTFMR018	208/230	TWE****3*A***B*, TWE****1*A***B*
BAYTFMR019	460	TWE****4*A***B*
BAYTFMR020	575	TWE****W*A***B*
BAYTFMR021	400	TWE****D*B***A*, TWE****K*AB**A*

Parts List

Figure 1. Transformer kit contents



Inspection

Remove the contents of the kit from the shipping package and check carefully for shipping damage. If any damage is found, report it immediately, and file a claim against the

transportation company. Any missing parts should be immediately reported to your supplier and replaced with authorized parts only.

Installation

Air Handler Unit Transformer

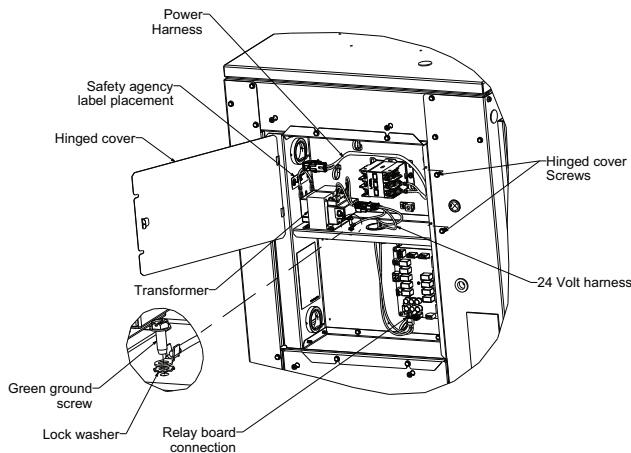
⚠ WARNING

Hazardous Voltage w/Capacitors!

Failure to disconnect power and discharge capacitors before servicing could result in death or serious injury.

Disconnect all electric power, including remote disconnects and discharge all motor start/run capacitors before servicing. Follow proper lockout/tagout procedures to ensure the power cannot be inadvertently energized. For variable frequency drives or other energy storing components provided by Trane or others, refer to the appropriate manufacturer's literature for allowable waiting periods for discharge of capacitors. Verify with a CAT III or IV voltmeter rated per NFPA 70E that all capacitors have discharged.

Figure 2. Transformer installation



1. Disconnect all power and lock out the unit.
2. Remove the air handler's side panel which conceals the unit control box (the panel with the nameplate).
3. Remove and retain the 2 screws that secure the hinged

cover of the control box. See [Figure 2, p. 6](#).

4. Install the transformer using 2 screws and lock washers (provided in Kit) on the divider panel in the high voltage section. See [Figure 2, p. 6](#).
5. Of the two power wire harnesses included with the kit, choose the one that has terminations appropriate to the type of connections and install the harness per unit diagram:
 - Harness with 1/4-in. Quick Connect terminals will connect to the indoor fan contactor of units with constant volume fan control.
 - Harness with stripped leads will connect to the fuse block of unit with SZVAV / 2-speed fan control.Discard the unused power wire harness.
6. Connect the 24 Vac harness from the transformer to the relay board per unit diagram. See [Figure 2, p. 6](#).
7. Attach ground wire in 24 Vac harness to the divider panel using the green ground screw going through wire terminal and lock washer. See [Figure 2, p. 6](#).
8. Connect the harnesses to the transformer by snapping together the in-line color coded connectors.
9. Secure wires away from sharp edges using wire ties (provided in kit).
10. Apply the safety agency label to the side of the control box. See [Figure 2, p. 6](#).

Notes:

- The 208/230V transformers are factory wired for 230V. To convert to 208 volt power, disconnect wire from the 230V terminal on the primary side of the transformer and reconnect to the 208V terminal.
 - Full wiring schematics are available through e-Library. If access is not available, contact your local sales office.
11. Close and secure the high voltage access panel using the 2 screws that were previously removed.
 12. Re-install the air handler's side panel.

Trane and American Standard create comfortable, energy efficient indoor environments for commercial and residential applications. For more information, please visit trane.com or americanstandardair.com.

Trane and American Standard have a policy of continuous product and product data improvement and reserve the right to change design and specifications without notice. We are committed to using environmentally conscious print practices.

ACC-SVN184C-EN 14 Mar 2026
Supersedes ACC-SVN184B-EN (March 2022)

©2026