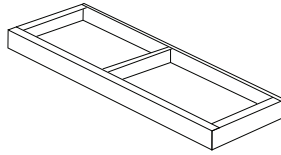


# Installation Instructions

## Subbase



**Model Number: Used With:**

BAYBASE009A	TWE051/060
BAYBASE010A	TWE072/076/090
BAYBASE011A	TWE101/120
BAYBASE012A	TWE126/150/156/180
BAYBASE013A	TWE201/240/251/300

**SAFETY WARNING**

Only qualified personnel should install and service the equipment. The installation, starting up, and servicing of heating, ventilating, and air-conditioning equipment can be hazardous and requires specific knowledge and training. Improperly installed, adjusted or altered equipment by an unqualified person could result in death or serious injury. When working on the equipment, observe all precautions in the literature and on the tags, stickers, and labels that are attached to the equipment.

April 2020

ACC-SVN113E-EN

© 2020

1

### Warnings, Cautions, and Notices

Read this manual thoroughly before operating or servicing this unit. Safety advisories appear throughout this manual as required. Your personal safety and the proper operation of this machine depend upon the strict observance of these precautions.

The three types of advisories are defined as follows:

- WARNING** Indicates a potentially hazardous situation which, if not avoided, could result in death or serious injury.
- CAUTION** Indicates a potentially hazardous situation which, if not avoided, could result in minor or moderate injury. It could also be used to alert
- NOTICE** Indicates a situation that could result in equipment or property-damage only accidents.

### Important Environmental Concerns

Scientific research has shown that certain man-made chemicals can affect the earth's naturally occurring stratospheric ozone layer when released to the atmosphere. In particular, several of the identified chemicals that may affect the ozone layer are refrigerants that contain Chlorine, Fluorine and Carbon (CFCs) and those containing Hydrogen, Chlorine, Fluorine and Carbon (HCFCs). Not all refrigerants containing these compounds have the same potential impact to the environment. Trane advocates the responsible handling of all refrigerants-including industry replacements for CFCs such as HCFCs and HFCs.

### Important Responsible Refrigerant Practices

Trane believes that responsible refrigerant practices are important to the environment, our customers, and the air conditioning industry. All technicians who handle refrigerants must be certified according to local rules. For the USA, the Federal Clean Air Act (Section 608) sets forth the requirements for handling, reclaiming, recovering and recycling of certain refrigerants and the equipment that is used in these service procedures. In addition, some states or municipalities may have additional requirements that must also be adhered to for responsible management of refrigerants. Know the applicable laws and follow them.

2

**WARNING**

**Proper Field Wiring and Grounding Required!**  
Failure to follow code could result in death or serious injury. All field wiring MUST be performed by qualified personnel. Improperly installed and grounded field wiring poses FIRE and ELECTROCUTION hazards. To avoid these hazards, you MUST follow requirements for field wiring installation and grounding as described in NEC and your local/state electrical codes.

**WARNING**

**Personal Protective Equipment Required!**  
Installing/servicing this unit could result in exposure to electrical, mechanical and chemical hazards. Before installing/servicing this unit, technicians MUST put on all Personal Protective Equipment (PPE) recommended for the work being undertaken. ALWAYS refer to appropriate SDS sheets and OSHA guidelines for proper PPE. When working with or around hazardous chemicals, ALWAYS refer to the appropriate SDS sheets and OSHA guidelines for information on allowable personal exposure levels, proper respiratory protection and handling recommendations. If there is a risk of arc or flash, technicians MUST put on all necessary Personal Protective Equipment (PPE) in accordance with NFPA70E for arc/flash protection PRIOR to servicing the unit. Failure to follow recommendations could result in death or serious injury.

**WARNING**

**Follow EHS Policies!**  
Failure to follow instructions below could result in death or serious injury.

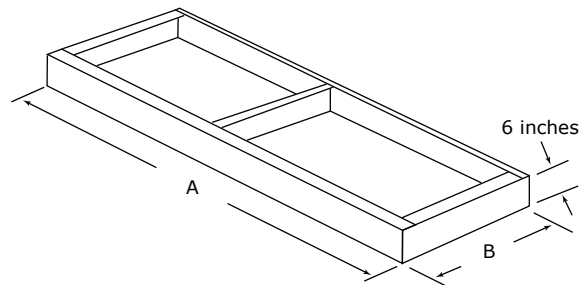
- All Trane personnel must follow the company's Environmental, Health and Safety (EHS) policies when performing work such as hot work, electrical, fall protection, lockout/tagout, refrigerant handling, etc. Where local regulations are more stringent than these policies, those regulations supersede these policies.
- Non-Trane personnel should always follow local regulations.

3

### General

The accessory subbases are used with vertically installed air handlers. Refer to Table 1 to determine the appropriate subbase for the unit model.

Figure 1. Dimensions



**Note:** The central cross member shown in all of the figures is not present on model BAYBASE009A.

Table 1. Subbase dimensions (in.)

Unit	Model No.	A	B
TWE051/060	BAYBASE009	38.00	22.63
TWE072/076/090	BAYBASE010	47.50	25.51
TWE101/120	BAYBASE011	63.50	25.51
TWE126/150/156/180	BAYBASE012	79.60	29.04
TWE201/240/251/300	BAYBASE013	92.60	31.14

4

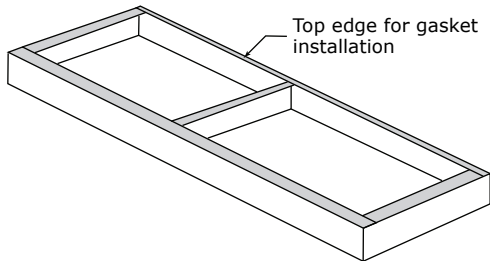
## Inspection

Inspect material carefully for any shipping damage. Report any damage immediately to the transportation company, and make any appropriate claims.

## Installation

1. Install the provided pressure sensitive gasket on the top edge of the subbase, around its perimeter.

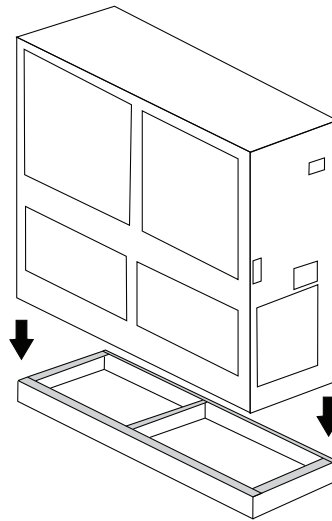
**Figure 2. Top edge shown**



2. Place the air handler on the subbase:
  - a. The narrowest flange must be on the side closest to the downside of the coil.
  - b. All four sides of the unit must be flush with the sides of the base.
3. Secure the base to the air handler:
  - a. Remove the lower side panels on three sides of the air handler. (Leave the panels in place on the side with the downside of the coil, the same side as the narrow flange.)
  - b. Use field-supplied self-tapping sheet metal screws or other appropriate fasteners to attach the unit to the base.
4. Replace the side panels.

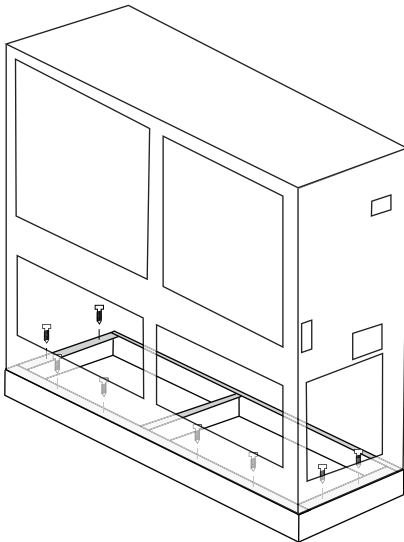
5

**Figure 3. Placing the unit on the subbase**



6

**Figure 4. Fastening the unit to the subbase**



Trane and American Standard create comfortable, energy efficient indoor environments for commercial and residential applications. For more information, please visit [trane.com](http://trane.com) or [americanstandardair.com](http://americanstandardair.com).

Trane and American Standard have a policy of continuous product and product data improvement and reserve the right to change design and specifications without notice. We are committed to using environmentally conscious print practices.