

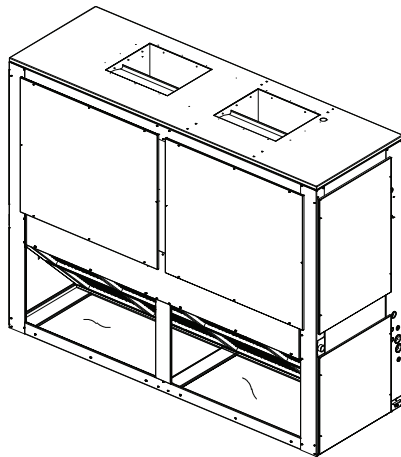
# Installation, Operation, and Maintenance

# **Split System Air Conditioners**

# **Odyssey™ with Symbio™**

# **Controls**

## Air Handler — 5 to 25 Tons



**(60 Hz)**

TWE060K\*A/B

TWE072K\*B

TWE090K\*A/B

TWE120K\*A/B

TWE150K\*B

TWE180K\*B

TWE240K\*B

TWE300K\*B

### **▲ SAFETY WARNING**

Only qualified personnel should install and service the equipment. The installation, starting up, and servicing of heating, ventilating, and air-conditioning equipment can be hazardous and requires specific knowledge and training. Improperly installed, adjusted or altered equipment by an unqualified person could result in death or serious injury. When working on the equipment, observe all precautions in the literature and on the tags, stickers, and labels that are attached to the equipment.

# Introduction

Read this manual thoroughly before operating or servicing this unit.

## Warnings, Cautions, and Notices

Safety advisories appear throughout this manual as required. Your personal safety and the proper operation of this machine depend upon the strict observance of these precautions.

The three types of advisories are defined as follows:



Indicates a potentially hazardous situation which, if not avoided, could result in death or serious injury.



Indicates a potentially hazardous situation which, if not avoided, could result in minor or moderate injury. It could also be used to alert against unsafe practices.

**NOTICE**

Indicates a situation that could result in equipment or property-damage only accidents.

## Important Environmental Concerns

Scientific research has shown that certain man-made chemicals can affect the earth's naturally occurring stratospheric ozone layer when released to the atmosphere. In particular, several of the identified chemicals that may affect the ozone layer are refrigerants that contain Chlorine, Fluorine and Carbon (CFCs) and those containing Hydrogen, Chlorine, Fluorine and Carbon (HCFCs). Not all refrigerants containing these compounds have the same potential impact to the environment. Trane advocates the responsible handling of all refrigerants.

## Important Responsible Refrigerant Practices

Trane believes that responsible refrigerant practices are important to the environment, our customers, and the air conditioning industry. All technicians who handle refrigerants must be certified according to local rules. For the USA, the Federal Clean Air Act (Section 608) sets forth the requirements for handling, reclaiming, recovering and recycling of certain refrigerants and the equipment that is used in these service procedures. In addition, some states or municipalities may have additional requirements that must also be adhered to for responsible management of refrigerants. Know the applicable laws and follow them.

### **⚠ WARNING**

#### **Proper Field Wiring and Grounding Required!**

Failure to follow code could result in death or serious injury.

**All field wiring MUST be performed by qualified personnel. Improperly installed and grounded field wiring poses FIRE and ELECTROCUTION hazards. To avoid these hazards, you MUST follow requirements for field wiring installation and grounding as described in NEC and your local/state/national electrical codes.**

### **⚠ WARNING**

#### **Personal Protective Equipment (PPE) Required!**

Failure to wear proper PPE for the job being undertaken could result in death or serious injury.

Technicians, in order to protect themselves from potential electrical, mechanical, and chemical hazards, **MUST follow precautions in this manual and on the tags, stickers, and labels, as well as the instructions below:**

- **Before installing/servicing this unit, technicians MUST put on all PPE required for the work being undertaken (Examples; cut resistant gloves/sleeves, butyl gloves, safety glasses, hard hat/bump cap, fall protection, electrical PPE and arc flash clothing). ALWAYS refer to appropriate Safety Data Sheets (SDS) and OSHA guidelines for proper PPE.**
- **When working with or around hazardous chemicals, ALWAYS refer to the appropriate SDS and OSHA/GHS (Global Harmonized System of Classification and Labelling of Chemicals) guidelines for information on allowable personal exposure levels, proper respiratory protection and handling instructions.**
- **If there is a risk of energized electrical contact, arc, or flash, technicians MUST put on all PPE in accordance with OSHA, NFPA 70E, or other country-specific requirements for arc flash protection, PRIOR to servicing the unit. NEVER PERFORM ANY SWITCHING, DISCONNECTING, OR VOLTAGE TESTING WITHOUT PROPER ELECTRICAL PPE AND ARC FLASH CLOTHING. ENSURE ELECTRICAL METERS AND EQUIPMENT ARE PROPERLY RATED FOR INTENDED VOLTAGE.**

**⚠ WARNING****Follow EHS Policies!**

Failure to follow instructions below could result in death or serious injury.

- All Trane personnel must follow the company's Environmental, Health and Safety (EHS) policies when performing work such as hot work, electrical, fall protection, lockout/tagout, refrigerant handling, etc. Where local regulations are more stringent than these policies, those regulations supersede these policies.
- Non-Trane personnel should always follow local regulations.

**⚠ WARNING****R-454B Flammable A2L Refrigerant!**

Failure to use proper equipment or components as described below could result in equipment failure, and possibly fire, which could result in death, serious injury, or equipment damage.

The equipment described in this manual uses R-454B refrigerant which is flammable (A2L). Use **ONLY** R-454B rated service equipment and components. For specific handling concerns with R-454B, contact your local representative.

**⚠ WARNING****Refrigerant under High Pressure!**

Failure to follow instructions below could result in an explosion which could result in death or serious injury or equipment damage.

System contains refrigerant under high pressure. Recover refrigerant to relieve pressure before opening the system. See unit nameplate for refrigerant type. Do not use non-approved refrigerants, refrigerant substitutes, or refrigerant additives.

**⚠ WARNING****Explosion Hazard!**

Failure to follow instructions below could result in an explosion which could result in death or serious injury, and equipment damage.

**NEVER** bypass system safeties in order to pump down the unit component refrigerant into the microchannel heat exchanger (MCHE) coil. Do **NOT** depress the compressor contactor since it effectively bypasses the high-pressure control.

**Copyright**

This document and the information in it are the property of Trane, and may not be used or reproduced in whole or in part without written permission. Trane reserves the right to revise this publication at any time, and to make changes to its content without obligation to notify any person of such revision or change.

**Trademarks**

All trademarks referenced in this document are the trademarks of their respective owners.

**Product Safety Information**

This appliance is not intended for use by persons (including children) with reduced physical, sensory or mental capabilities, or lack of experience and knowledge, unless they have been given supervision or instruction concerning use of the appliance by a person responsible for their safety. Children should be supervised to ensure that they do not play with the appliance.

Maximum altitude of use 3000 meters.

This appliance incorporates an earth connection for functional purposes only.

**Revision History**

Updated A2L chapter.

# Table of Contents

Model Number Description .....	5	Horizontal Suspension .....	30
Air Handler .....	5	Leveling .....	30
General Information .....	6	Auxiliary Drain Pan .....	30
Unit Description .....	6	Refrigerant Piping .....	30
A2L Information and Installation		Condensate Piping .....	31
Requirements .....	7	Filter Replacement .....	32
Installation/Code Compliance		Duct Connections .....	32
Requirements .....	7	Air Flow Settings .....	32
A2L Work Procedures .....	7	Electrical Wiring .....	32
Servicing .....	7	Unit Power Supply .....	33
Leak Detection .....	8	Symbio™ Controls .....	33
Refrigerant Removal and		Installation Checklist .....	35
Evacuation .....	8	Low Voltage Wiring .....	35
Refrigerant Charging .....	9	Field Wiring .....	36
Decommissioning .....	9	EDC Switch Wiring .....	36
A2L Application Considerations .....	9	Checkout Procedure .....	36
Ignition Sources in Ductwork .....	10	Start-Up .....	37
Ignition Sources in Unit .....	10	Heating and Cooling Setpoint	
Minimum Room Area Limits		Arbitration .....	37
(Refrigerant charge greater than 3.91 lb		Constant Volume Units .....	37
per circuit) .....	10	SZVAV and Two Speed Air-Handling Units	
Leak Detection System (Refrigerant		with Symbio™ Condenser Units .....	37
charge greater than 3.91 lb per		Symbio™ Condenser Configuration	
circuit) .....	12	Management .....	39
Field Piping Installation and Charging .....	13	Two-Speed Air Handler Systems .....	39
Pre-Installation .....	14	SZVAV Air Handler Systems .....	41
Unit Inspection .....	14	Field Installed Electric Heat Kits .....	42
Inspection Checklist .....	14	Electric Heat as Secondary Heat (Heat	
Testing for Leaks .....	14	Pump Systems) .....	45
Lifting Recommendations .....	14	Troubleshooting .....	48
Repositioning Drain Pan .....	14	Leak Detection System .....	48
Refrigerant Piping .....	15	Maintenance .....	49
Reorienting Evaporator Coil (TWE150		Fan Belt Adjustment .....	49
and 180) .....	15	Monthly .....	50
Preparation for Refrigerant Piping .....	16	Annually (Cooling Season) .....	51
Installations, Limitations and		Coil Cleaning .....	51
Recommendations .....	16	Maintenance Log .....	52
Clearances .....	17	Wiring Diagram Matrix and Device	
Dimensional Data .....	18	Location .....	53
Air Handler .....	18	Warranty .....	54
Weights .....	27	Central Air Conditioner .....	54
Air Handler .....	27		
Accessories .....	29		
Installation .....	30		

# Model Number Description

## Air Handler

### Digit 1, 2, 3 — Unit Function

TWE = Air Handler

### Digit 4, 5, 6— Tonnage

060 = 5 Tons (60 Hz)

072 = 6 Tons (60 Hz)

090 = 7.5 Tons (60 Hz)

120 = 10 Tons (60 Hz)

150 = 12.5 Tons (60 Hz)

180 = 15 Tons (60 Hz)

240 = 20 Tons (60 Hz)

300 = 25 Tons (60 Hz)

### Digit 7 — Refrigerant

K = R-454B

### Digit 8 — Voltage

1 = 208-230 Vac - 1 PH (60 Hz)

3 = 208-230 Vac - 3 PH (60 Hz)

4 = 460 Vac - 3 PH (60 Hz)

W = 575 Vac - 3 PH (60Hz)

### Digit 9 — Refrigeration Circuit/Stage

A = Single Circuit

B = Dual Circuit

### Digit 10 — Major Design Sequence

A = Rev A

### Digit 11 — Minor Design Sequence

A = Rev A

### Digit 12, 13 — Service Digits

\*\*

### Digit 14 — Efficiency Generation

B = Generation B

### Digit 15 — Controls

1 = Constant Volume

C = 2 Stage Airflow (Electromechanical Cond Only)

D = 2 Stage Airflow/Single Zone VAV (Symbio Cond Only)

### Digit 16 — Indoor Fan Sizes

0 = Standard Motor

4 = High Static – (Oversized Motor for VFD Units)

### Digit 17 to 40 — None

0 = None

# General Information

This manual describes proper installation, operation, and maintenance procedures for air cooled systems. By carefully reviewing the information within this manual and following the instructions, the risk of improper operation and/or component damage will be minimized. It is important that periodic maintenance be performed to help assure trouble free operation. Should equipment failure occur, contact a qualified service organization with qualified, experienced HVAC technicians to properly diagnose and repair this equipment.

**Important:** All phases of this installation must comply with the NATIONAL, STATE and LOCAL CODES. In addition to local codes, the installation must conform with National Electric Code -ANSI/ NFPA NO. 70 LATEST REVISION.

Any individual installing, maintaining, or servicing this equipment must be properly trained, licensed and qualified.

**Important:** Do not remove the VFD without first contacting technical support! For performance-related questions and diagnostic VFD support in North America, request Live Tech Support via the link: <https://support.trane.com/hc/en-us>. Any return or escalation to the VFD manufacturer requires a Trane Technical Support ticket number FIRST. Removal of the VFD prior to this step will void the unit's warranties.

Installation procedures should be performed in the sequence that they appear in this manual. Do not destroy or remove the manual from the unit. The manual should

remain weather-protected with the unit until all installation procedures are complete.

**Note:** It is not the intention of this manual to cover all possible variations in systems that may occur or to provide comprehensive information concerning every possible contingency that may be encountered during an installation. If additional information is required or if specific problems arise that are not fully discussed in this manual, contact your local sales office.

Use the installation checklist provided In this manual to verify that all necessary installation procedures have been completed. Do not use the checklist as a substitute for reading the information contained in the manual. Read the entire manual before beginning installation procedures.

## Unit Description

These air handler models incorporate a single slab coil assembly, improved application flexibility, servicing, maintenance accessibility and an improved accessory line. They are fully convertible, (vertical to horizontal discharge) without field removal of the coil assembly. They are shipped ready for horizontal installation.

All units have one drain pan that can be installed in any one of four positions. This allows for vertical or horizontal applications and right or left exit.

**Important:** All dual circuit (digit 9 = B) have an intertwined coil, except for the 25 ton TWE300 unit.

# A2L Information and Installation Requirements

## Installation/Code Compliance Requirements

Building level controls may need to be upgraded/modified to demand leak mitigation actions as described in “[Leak Detection System](#) (Refrigerant charge greater than 3.91 lb per circuit),” p. 12. Those actions include, but are not limited to, fully opening damper and VAV boxes (if present), and disabling electric heat in VAV boxes (if present).

Verify the equipment refrigerant charge is in accordance with the room area limitation as described in Minimum Room Area Limits section.

Ensure that there are labels on the equipment stating it contains a flammable refrigerant.

## A2L Work Procedures

### **⚠ WARNING**

#### **Risk of Fire — Flammable Refrigerant!**

Failure to follow instructions below could result in death or serious injury, and equipment damage.

- To be repaired only by trained service personnel.
- Do not puncture refrigerant tubing.
- Dispose of properly in accordance with federal or local regulations.
- The equipment shall be stored in a room without continuously operating ignition sources.

### **⚠ WARNING**

#### **Refrigerant under High Pressure!**

Failure to follow instructions below could result in an explosion which could result in death or serious injury or equipment damage.

System contains refrigerant under high pressure. Recover refrigerant to relieve pressure before opening the system. See unit nameplate for refrigerant type. Do not use non-approved refrigerants, refrigerant substitutes, or refrigerant additives.

### **⚠ WARNING**

#### **Hazardous Voltage!**

Failure to disconnect power before servicing could result in death or serious injury.

Disconnect all electric power, including remote disconnects before servicing. Follow proper lockout/tagout procedures to ensure the power can not be inadvertently energized. Verify that no power is present with a voltmeter.

The units described in this manual use R-454B refrigerant. Use ONLY R-454B rated service equipment or components with these units. For specific handling concerns with R-454B, contact your local Trane representative.

Installation, repair, removal, or disposal should be performed by trained service personnel.

At all times, Trane’s maintenance and service guidelines shall be followed. If in doubt, contact Trane technical support for assistance.

## Service

Prior to initiating work on equipment, check the area with an appropriate refrigerant detector. Ensure the service personnel are properly trained regarding work in potentially toxic or flammable atmospheres. Ensure that the leak detection equipment being used is suitable for use with all applicable refrigerants, i.e. non-sparking, adequately sealed, or intrinsically safe. Be aware that the refrigerant does not contain an odor.

If any hot work is to be conducted on the refrigerating equipment or any associated parts, appropriate fire extinguishing equipment shall be available on hand. A dry powder or CO<sub>2</sub> fire extinguisher should be located adjacent to the charging area.

At all times, Trane’s maintenance and service guidelines shall be followed. If in doubt, contact Trane technical support for assistance.

All maintenance staff and others working in the local area shall be instructed on the nature of the work being carried out. Work in confined spaces shall be avoided.

## Ignition Source Mitigation

Do not use any sources of ignition when working on the refrigeration system.

Keep all ignition sources, including cigarette smoking, away from the site of installation, repair, removal or disposal, during which refrigerant can potentially be released to the surrounding space.

Survey the area around the equipment before initiating work to ensure no flammable hazards or ignition risks are present.

“No Smoking” signs shall be displayed.

## A2L Information and Installation Requirements

---

Do not use devices that can be a source of ignition to accelerate defrosting of components. Use only defrost and cleaning procedures recommended by Trane. Do not pierce or burn.

### Ventilation

Ensure that the area is in the open or that it is adequately ventilated before breaking into the system or conducting any hot work. A degree of ventilation shall continue during the period that the work is carried out. The ventilation should safely disperse any released refrigerant and preferably expel it externally into the atmosphere. If present, check that the ventilation system, including outlets, are operating adequately and are not obstructed.

### Refrigerating Equipment

Refrigerant piping or components should not be installed in locations where substances which may corrode them are present.

Check that equipment hazard markings are visible and legible. Replace them if they are not.

For equipment using secondary fluids, like water or glycol, check that refrigerant is not present in the secondary fluid loop before conducting any hot work.

### Electrical Devices

Do not apply power to the circuit if a fault exists which compromises safety. If the fault cannot be corrected immediately, but it is necessary to continue operation, an adequate temporary solution shall be used. This shall be reported to the owner of the equipment, so all parties are advised.

Initial safety checks shall include:

- Cabling is not subject to wear, corrosion, excessive pressure, vibration, sharp edges, or any other adverse environmental effects. Account for the effects of aging or continual vibration from sources such as compressors or fans.
- Capacitors are discharged. This shall be done in a safe manner to avoid possibility of sparking.
- No live electrical components and wiring are exposed while charging, recovering, or purging the system.
- Verify continuity of earth bonding.
- Replace electrical components with Trane replacement parts, or those meeting the same ratings and qualified for flame arrest protection, UL LZGH2 category.

### Leak Detection

Never use an open flame to detect leaks. A halide torch should not be used. Use only approved leak detection methods per this instruction manual.

The following leak detection methods are deemed acceptable for all refrigerant systems.

Electronic leak detectors may be used to detect refrigerant leaks but, in the case of flammable refrigerants, the sensitivity may not be adequate, or may need re-

calibration. (Detection equipment shall be calibrated in a refrigerant-free area.) Ensure that the detector is not a potential source of ignition and is suitable for the refrigerant used. Leak detection equipment shall be set at a percentage of the LFL gas (25% maximum) is confirmed.

Leak detection fluids are also suitable for use with most refrigerants but the use of detergents containing chlorine shall be avoided as the chlorine may react with the refrigerant and corrode the copper pipe-work.

Examples of leak detection fluids are:

- Bubble method
- Fluorescent method agents

If a leak is suspected, all naked flames shall be removed/ extinguished.

If a refrigerant leak is found which requires brazing, all refrigerant shall be recovered from the system, or isolated (by means of shut off valves) in a part of the system remote from the leak.

### Refrigerant Removal and Evacuation

Ensure that the correct number of cylinders for holding the total system charge is available. All cylinders to be used are designated for the recovered refrigerant and labeled for that refrigerant (special cylinders for the recovery of refrigerant, for example). Cylinders shall be complete with pressure-relief valve and associated shut-off valves in good working order. Empty recovery cylinders are evacuated and, if possible, cooled before recovery occurs.

When breaking into the refrigerant circuit to make repairs – or for any other purpose – conventional procedures shall be used. However, for flammable refrigerants it is important that best practice be followed, since flammability is a consideration.

The following procedure shall be adhered to:

1. Safely remove refrigerant following local and national regulations.
2. Evacuate.
3. Purge the circuit with inert gas.
4. Evacuate (optional for A2L).
5. Continuously flush or purge with inert gas when using flame to open circuit.
6. Open the circuit.

Prior to refrigerant removal, open all appropriate valves, including solenoid and electronic expansion valves (EXVs). Use control settings, where available. When not available, manually open all electronically controlled valves using acceptable service procedures.

The recovery equipment shall be in good working order with instructions available. Equipment shall be suitable for the recovery of the flammable refrigerant. For specific handling concerns, contact the manufacturer. Ensure all hose connections are checked for tightness to avoid refrigerant leaks.



In addition, a set of calibrated weighing scales shall be available and in good working order.

The refrigerant shall be recovered into the correct recovery cylinders if venting is not allowed by local and national codes. Do not mix refrigerants in recovery unit and especially not in cylinders.

Refrigerant recovery unit should be purged with an inert gas after each use or before using with a different refrigerant Class – for example, A2L to A1.

If compressors or compressor oils are to be removed, ensure that they have been evacuated to an acceptable level to make certain that flammable refrigerant does not remain within the lubricant. The compressor body shall not be heated by an open flame or other ignition sources to accelerate this process. When oil is drained from a system, it shall be carried out safely.

The system shall be purged with oxygen-free nitrogen to render the appliance safe for flammable refrigerants. This process might need to be repeated several times. Compressed air or oxygen shall not be used for purging refrigerant systems.

The system shall be vented down to atmospheric pressure to enable work to take place.

The outlet for the vacuum pump shall not be close to any potential ignition sources, and ventilation shall be available.

### Refrigerant Charging

In addition to conventional charging procedures, the following requirements shall be followed.

- Ensure that contamination of different refrigerants does not occur when using charging equipment.
- Hoses or lines shall be as short as possible to minimize the amount of refrigerant contained in them.
- Cylinders shall be kept in an appropriate position according to the instructions.
- Ensure that the refrigerating system is earthed prior to charging the system with refrigerant.
- Label the system when charging is complete (if not already).
- Extreme care shall be taken not to overfill the refrigerating system.

Prior to recharging the system, it shall be pressure-tested with the appropriate purging gas. The system shall be leak-tested on completion of charging but prior to commissioning. A follow up leak test shall be carried out prior to leaving the site.

Prior to refrigerant charging, open all appropriate valves, including solenoid and electronic expansion valves (EXVs). Use control settings, where available. When not available, manually open all electronically controlled valves using acceptable service procedures.

Verify the equipment refrigerant charge is in accordance with the room area limitation as described in Minimum Room Area Limits section.

### Decommissioning

Before carrying out the decommissioning procedure, it is essential that the trained service personnel is completely familiar with the equipment and all its details. It is recommended good practice that all refrigerants are recovered safely. Prior to the task being carried out, an oil and refrigerant sample shall be taken in case analysis is required prior to re-use of recovered refrigerant. It is essential that electrical power is available before the task is commenced.

1. Become familiar with the equipment and its operation.
2. Isolate system electrically.
3. Before attempting the procedure, ensure that:
  - a. Mechanical handling equipment is available, if required, for handling refrigerant cylinders.
  - b. All personal protective equipment is available and being used correctly.
  - c. The recovery process is supervised at all times by a competent person.
  - d. Recovery equipment and cylinders conform to the appropriate standards.
4. Pump down refrigerant system, if possible.
5. If a vacuum is not possible, make a manifold so that refrigerant can be removed from various parts of the system.
6. Make sure that cylinder is situated on the scales before recovery takes place.
7. Start the recovery machine and operate in accordance with instructions.
8. Do not overfill cylinders (no more than 80% volume liquid charge).
9. Do not exceed the maximum working pressure of the cylinder, even temporarily.
10. When the cylinders have been filled correctly and the process completed, make sure that the cylinders and the equipment are removed from site promptly and all isolation valves on the equipment are closed off.
11. Recovered refrigerant shall not be charged into another refrigerating system unless it has been cleaned and checked.
12. When equipment has been decommissioned, attach a signed and dated label stating it has been decommissioned and emptied of refrigerant.
13. Ensure that there are labels on the equipment stating it contains flammable refrigerant.

### A2L Application Considerations

This product is listed to UL standard 60335-2-40, Household and Similar Electrical Appliances – Safety – Part 2-40: Particular Requirements for Electrical Heat Pumps, Air-Conditioners and Dehumidifiers, which defines safe design and use strategies for equipment using A2L

refrigerants. This standard limits the refrigerant concentration in a space in the event of a refrigerant leak. To meet the requirements, the UL standard defines minimum room area, refrigerant charge limit, minimum circulation airflow and/or ventilation airflow requirements, and limits the use of ignition sources in spaces. The standard may require a unit refrigerant leak detection system.

For equipment with R-454B and charge amounts less than or equal to 3.91 lbs per circuit, this UL standard does not prescribe a room area limit and does not require a refrigerant leak detection system or any circulation airflow or ventilation airflow mitigation strategies. However, ignition sources in ductwork must be evaluated.

Depending on the application, a specific requirement of ANSI/ASHRAE Standard 15, Safety Standard for Refrigeration Systems, could be more stringent than UL 60335-2-40 requirements. See *Refrigeration Systems and Machinery Rooms Application Considerations for Compliance with ASHRAE® Standard 15-2022 Application Engineering Manual* (APP-APM001\*-EN) for more information.

### Ignition Sources in Ductwork

Do not install open flames in the ductwork. Hot surfaces exceeding 700°C (1290°F) should not be installed in the ductwork unless the average airflow velocity is not less than 1.0 m/s (200 ft/min) across the heater and proof of airflow is verified before system is energized.

Electric heaters can exceed the surface temperature limit if airflow distribution is poor, or insufficient airflow is provided over the heater.

Surface temperatures of most gas heaters do not exceed the surface temperature limits due to ANSI construction requirements.

### Ignition Sources in Unit

This unit does not contain any ignition sources. All potential ignition sources, (including factory or field installed accessory electric heaters, gas heaters, relays, and contactors) were evaluated during product UL listing.

### Minimum Room Area Limits (Refrigerant charge greater than 3.91 lb per circuit)

Equipment with R-454B charge amounts greater than 3.91 lb per circuit may require additional circulation or ventilation airflow mitigation strategies. In this case, there are two minimum room area ( $A_{min}$ ) thresholds.

- The first threshold defines when equipment serving a single room is required to provide circulation airflow, either continuous or activated by a leak detection system. A ducted system requires circulation airflow unless the smallest room it serves is larger than the adjusted  $A_{min}$  threshold. This product contains a leak detection system if a circuit charge is greater than 3.91 lbs. As a result, no further leak detection system evaluation is needed.
- The second threshold defines when additional ventilation airflow is required. If the room area, A or TA, is below the adjusted  $A_{min}$  or  $TA_{min}$  threshold, additional ventilation is required to remove refrigerant in the event of a leak. Refer to UL 60335-2-40 Clause GG.8 and ANSI/ASHRAE Standard 15 Section 7 for natural and mechanical ventilation requirements. See equipment nameplate and table below for minimum room area.

Split systems minimum room area requirements need to be determined after final field charging. Use the following figures and the largest final circuit charge to determine the systems  $A_{min}$  value. Record the final charge value on the label provided on the condensing unit.

Figure 1. Charge vs min room area (IP)

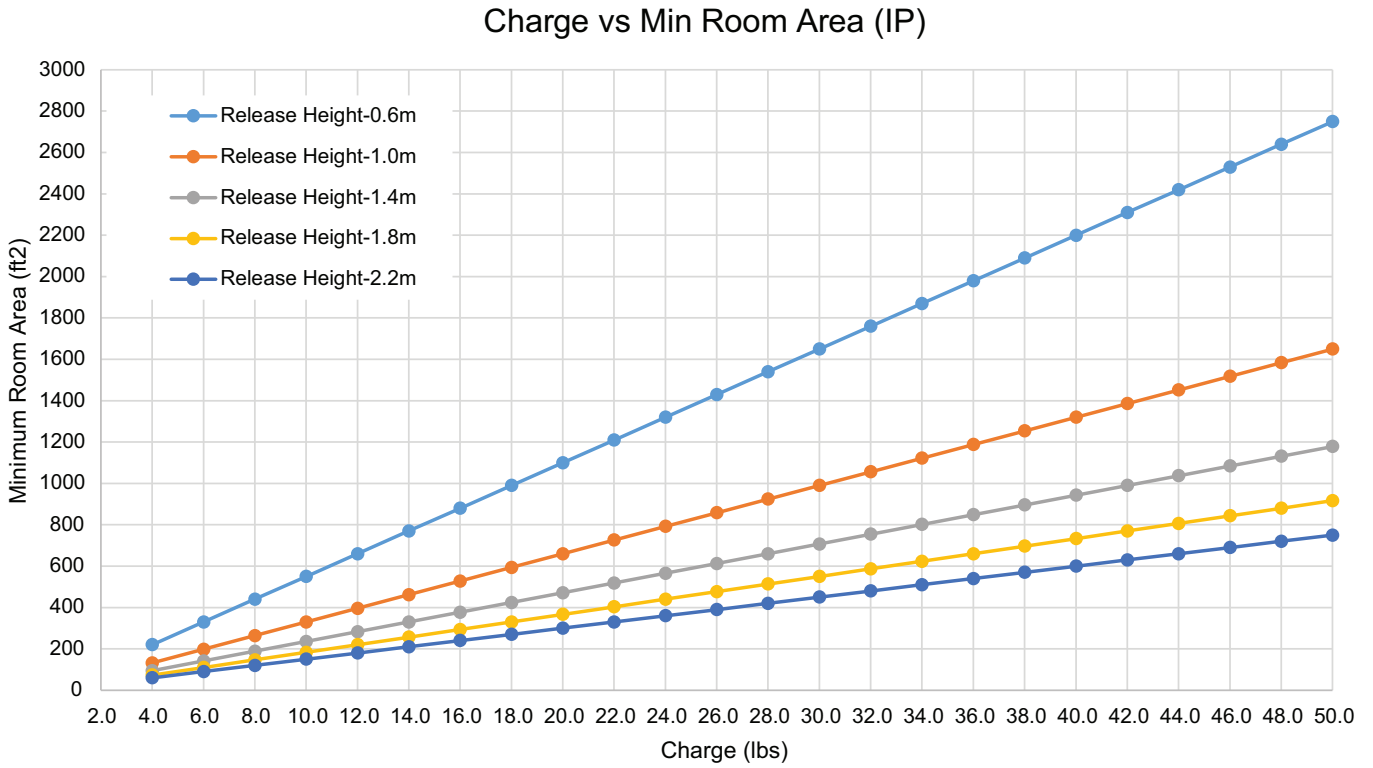
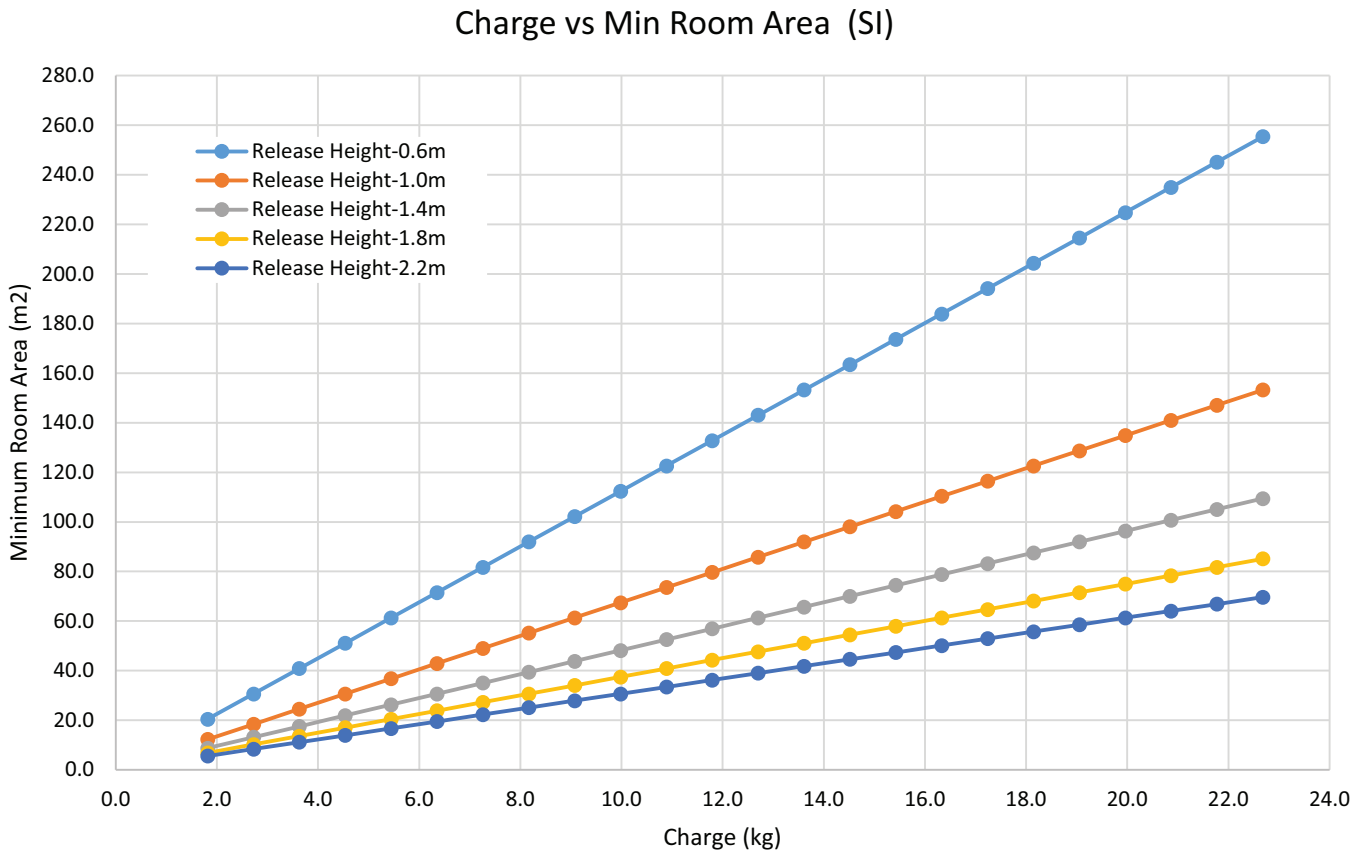


Figure 2. Charge vs min room area (SI)



## A2L Information and Installation Requirements

Release height is the vertical distance from the floor to the lowest point in a space refrigerant would leak from first. The minimum value is 0.6 m from the floor. This point is typically the bottom of free return openings or supply diffusers. For fully ducted units, the release height is 2.2 meters.

### Minimum Room Area ( $A_{min}$ ) Adjustments

Use equation below to adjust the minimum room area, as applicable, based on the unit's installation height, altitude, and occupancy level it serves.

**Table 1. Altitude adjustment factor**

Altitude (ft)	Sea Level to 2000	2001 to 4000	4001 to 6000	6001 to 8000	8001 to 10000	10001 to 12000	12001 to 14000	14001 to 15000	Over 15000
$A_{min}$ Adjustment	1	1.05	1.11	1.17	1.24	1.32	1.41	1.51	1.57

In addition,  $A_{min}$  can be adjusted if the unit is installed in a room at a height that is higher than the minimum height shown on the unit. To adjust  $A_{min}$ , multiply by the ratio of the unit minimum release height (in meters) / actual release height (in meters). Use 0.6 m in the ratio for unit minimum installation heights less than or equal to 0.6 m.

For institutional occupancies, ASHRAE Standard 15 applies an additional adjustment factor  $F_{occ}$  to the amount of a charge allowed in a space. To calculate the adjusted  $A_{min}$  for institutional occupancies, multiply the  $A_{min}$  on the nameplate by two.

#### EXAMPLE 1: 20 Ton Packaged Rooftop Multi-Zone VAV System Serving an Institutional Occupancy Space

The packaged unit serves 7600 ft<sup>2</sup> of a nursing home located at an altitude of 4000 ft. The unit has two equally charged 10 ton refrigeration circuits. Each circuit has 12 lbs of refrigerant with a minimum room area requirement of 180 ft<sup>2</sup> with a 2.2 m release height.

$$TA_{min,adj} = 180 \text{ ft}^2 \times 1.05 \times 2 = 378 \text{ ft}^2$$

No additional ventilation is required.

#### EXAMPLE 2: 10 Ton Split System Serving a Single Commercial Occupancy Space

The split system serves a 1500 ft<sup>2</sup> manufacturing space at 5000 ft altitude. The final installed charge of the single circuit 10 ton unit is 20 lb. The unit has an open return with a release height of 1 m and ducted supply air. The unit  $A_{min}$  is 660 ft<sup>2</sup>.

$$A_{min,adj} = 660 \text{ ft}^2 \times 1.11 = 733 \text{ ft}^2$$

No additional ventilation is required.

### Determining Room Area (A or TA)

The room area (A) is the room area enclosed by the projection to the floor of the walls, partitions, and doors of the space that the equipment serves. For ducted systems,

$$A_{min,adj} = \text{Nameplate } A_{min} \times \text{Altitude Adj} \times \text{Height Adj} \times F_{occ}$$

Multiply the altitude adjustment factor in the table below by  $A_{min}$  listed on the unit nameplate or in the Installation, Operation, and Maintenance (IOM) manual.

total room area (TA) of all rooms connected by ducts, may be used instead of A.

Rooms connected by drop ceilings only are not considered a single room.

Rooms on the same floor of the building, and connected by an open passageway, can be considered part of the same room if the passageway is a permanent opening, extends to the floor and is intended for people to walk through.

Adjacent rooms on the same floor of the building and connected by permanent openings in the walls and/or doors between rooms (including gaps between the wall and the floor), can be considered part of the same room if the openings meet the following criteria.

- The opening is permanent and cannot be closed.
- Openings extending to the floor, such as door gaps, need to be at least 20 mm above the floor covering surface.
- Natural ventilations opening areas must meet the requirements of ANSIASHRAE Standard 15-2022, Section 7.2.3.2.

Rooms that are connected by a mechanical ventilation system can be considered a single room area if the mechanical ventilation system meets the requirements of ANSIASHRAE Standard 15-2022, Section 7.6.4.

### Leak Detection System (Refrigerant charge greater than 3.91 lb per circuit)

The leak detection system consists of one or more refrigerant detection sensors. When the system detects a leak, the following mitigation actions will be initiated until refrigerant has not been detected for at least 5 minutes:

- Energize the supply fan(s) to deliver a required minimum amount of circulation airflow.
- Disable compressor operation.

- Provide an output signal that can be used to fully open zone dampers and/or VAV boxes and disable electric heat in VAV boxes.
- Provide an output signal that can be used to energize additional mechanical ventilation (if needed).
- Units without airflow proving will disable electric heat sources.

Building fire and smoke systems may override this function.

If the refrigerant sensor has a fault, is at the end of its life, or is disconnected, the unit will initiate the mitigation actions. Mitigation actions may be verified by disconnecting the sensor.

The refrigerant sensors do not need service. Use only manufacturer-approved sensors when replacement is required.

## Field Piping Installation and Charging

When refrigerant piping is routed indoors, protect from physical damage in operation or service, and verify installation complies with national and local codes. All joints must be accessible for inspection prior to being covered.

Follow the Refrigerant Charging procedure. Prior to refrigerant charging, check field-made indoor joints for leaks using an instrument with a sensitivity of 5 grams per year refrigerant. Pressurize the system to 25% of the maximum allowable pressure. Verify no leaks are detected.

# Pre-Installation

The final position for the air handler must be dictated by required service access to it, weight distribution over structural supports, and by the locations of electrical, refrigerant and condensate drainage connections. After this is determined, the following preparations should be made.

## Unit Inspection

Inspect material carefully for any shipping damage. If damaged, it must be reported to, and claims made against the transportation company. Compare the information that appears on the unit nameplate with ordering and submittal data to ensure the proper unit was shipped. Available power supply must be compatible with electrical characteristics specified on component nameplates. Replace damaged parts with authorized parts only.

**Important:** Units ordered with a VFD cannot be field converted to 460 V from 208-230 or from 208-230 V to 460 V.

## Inspection Checklist

To protect against loss due to damage incurred in transit, complete the following checklist upon receipt of the unit.

- Inspect individual pieces of the shipment before accepting the unit. Check for obvious damage to the unit or packing material.
- Inspect the unit for concealed damage before it is stored and as soon as possible after delivery. Concealed damage must be reported within 15 days. If concealed damage is discovered, stop unpacking the shipment. Do not remove damaged material from the receiving location. Take photos of the damage if possible. The owner must provide reasonable evidence that the damage did not occur after delivery.
- Notify the carrier's terminal of damage immediately by phone and by mail. Request an immediate joint inspection of the damage by the carrier and the consignee.
- Notify the sales representative and arrange for repair. Do not repair the unit until the damage is inspected by the carrier's representative.

## Testing for Leaks

All TWE units are shipped with a holding charge of nitrogen in each circuit and should be leak tested before installation.

1. Remove the access panel.
2. Locate the liquid line or suction line access valve for each circuit.
3. Install gauges to determine if the circuits are still pressurized. If not, the charge has escaped and should be repaired as required to obtain a leak-free circuit.

## Lifting Recommendations

### ⚠ WARNING

#### Improper Unit Lift!

Failure to properly lift unit in a LEVEL position could result in unit dropping and possibly crushing operator/technician which could result in death or serious injury, and equipment or property-only damage.

Test lift unit approximately 24 inches (61 cm) to verify proper center of gravity lift point. To avoid dropping of unit, reposition lifting point if unit is not level.

### NOTICE

#### Equipment Damage!

Use spreader bars to prevent straps from damaging the unit. Install the bars between lifting straps, both underneath the unit and above the unit to prevent the straps from crushing the unit cabinet or damaging the finish.

Before preparing the unit for lifting, estimate the approximate center of gravity for lifting safety. Because of placement of internal components, the unit weight may be unevenly distributed. See "Weights," p. 27 for approximate unit weights.

The crated unit can be moved using a forklift of suitable capacity. For lifting the unit into an elevated mounting position, run lifting straps or slings under the unit and attach securely to the lifting device.

## Repositioning Drain Pan

Air handlers come with one drain pan that can be installed in any one of four positions; this allows for vertical or horizontal application and right or left condensate line connection.

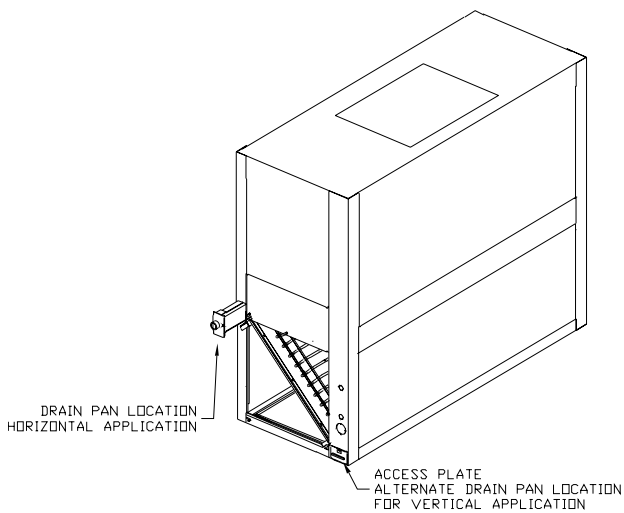
**Note:** Important! All air handlers are shipped with the drain pan installed in the horizontal position and the connection on the left side (as shown in Figure 3, p. 15. If an alternate position is required, the drain pan should be repositioned before setting the air handler. Ensure there is enough clearance to the sides of the unit for repositioning the drain pan after installation.

1. Remove the access plate at the opposite end of the drain connection. This plate secures and lifts the back end of the drain pan for sloping. It must be removed before the drain pan can be removed. This is done as follows:
  - a. Remove the screw
  - b. Lift the access plate up
  - c. Pull the plate out. If the drain pan is to be moved to the vertical position also remove the other two access plates.

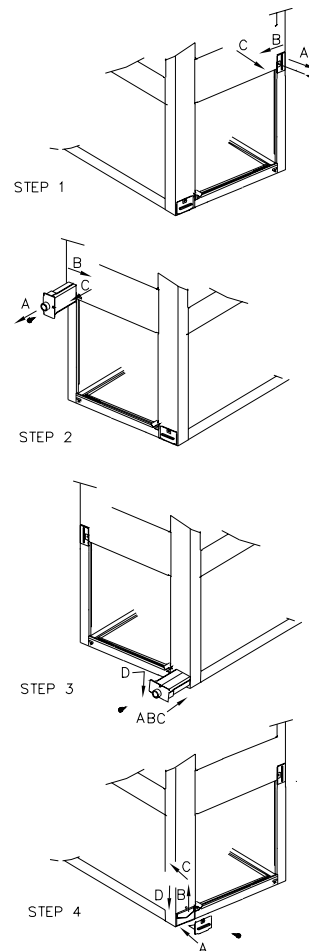
2. Remove the screw securing the drain pan.
  - a. Lift the pan up
  - b. Slide the pan out
3. Install the drain pan into the new position.
  - a. Slide the drain pan into the opening
  - b. Lift the drain pan up
  - c. Push it in all the way
  - d. Drop it down over the lip of the opening, secure with screw
4. Install the access plate on the opposite end of the drain pan.
  - a. Slide the edge of the access plate under the drain pan
  - b. Lift the access plate and drain pan up
  - c. Push the access plate in
  - d. Drop the access plate down over the lip of the opening, secure with screw

**Note:** If the drain pan is being moved to the vertical position, install the other access plates over the horizontal position opening

**Figure 3. Drain pan location**



**Figure 4. Drain pan relocation**



**NOTICE**

**System Component Damage!**

These air handlers are shipped with a dry nitrogen holding charge in the coil. Depress or remove the access valve cone to bleed off the nitrogen prior to brazing. Temporarily cap off tubes if the refrigerant line connections are to be made later.

**Refrigerant Piping**

**Reorienting Evaporator Coil (TWE150 and 180)**

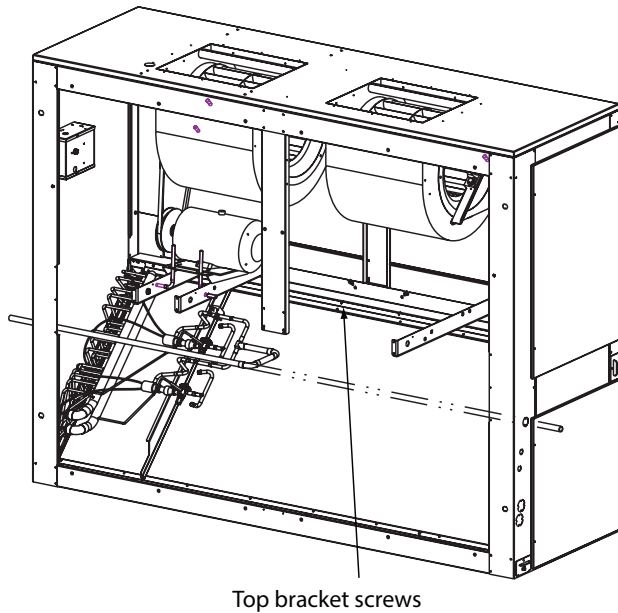
**Important:** Applies to TWE150 and 180 when positioned for vertical upflow. Unit is shipped in the horizontal position. If installing in the vertical position, the coil **must be** reoriented by rotating the coil 4 degrees (control box side) from the shipped position.

1. Remove screws from top evaporator coil bracket (bracket that attaches coil to cabinet and runs the length of the unit). See Figure 5, p. 16.

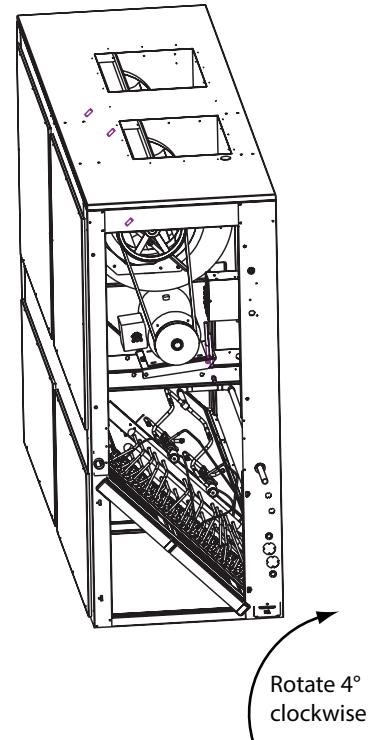
## Pre-Installation

2. Rotate evaporator coil approximately 4 degrees clockwise - looking from the control box end. When the evaporator coil is rotated, the lower set of evaporator coil bracket holes will align with the support bracket

Figure 5. Evaporator coil reorientation for TWE150, 180



- (from which it was originally fastened).
3. Reinsert screws in evaporator coil bracket.



## Preparation for Refrigerant Piping

### NOTICE

#### Equipment Damage!

Do not apply heat to remove seal caps until the gauge port cores have been removed. If seal caps are intact, application of heat may generate excessive pressure in the unit and result in damage to the coil or expansion valve.

The air handler is designed so that refrigerant piping can enter from either the right or left hand side. It is shipped with the intent that the refrigerant lines will enter from the left hand side. To convert to right hand entry, unbrazed the elbow on the suction line and rotate 180° and rebraze.

**Important:** Access to refrigerant lines is limited in all horizontal and some vertical applications. Therefore, refrigerant lines should be stubbed out and temporarily capped prior to setting the air handler. Protect adjacent surfaces from heat damage when brazing in and around the air handler. See [Figure 6, p. 18](#).

## Installations, Limitations and Recommendations

### NOTICE

#### System Component Damage!

Properly insulate all refrigerant gas piping to prevent possible water damage due to condensation and to prevent capacity loss and possible compressor damage.

The general location of the air handler is normally selected by the architect, contractor and/or buyer. For proper installation, the following items must be considered:

- Available power supply must agree with electrical data on component nameplate.  
**Note:** Unit voltage cannot be changed on units ordered with a VFD.
- If external accessories are installed on the unit, additional clearances must be provided.
- All duct work should be properly insulated to prevent condensation and heat loss.
- Refrigerant gas piping must be insulated.

It is recommended that the outline drawings in the Dimensional Data section be studied and dimensions



properly noted and checked against the selected installation site. By noting in advance which features are to be used, proper clearance allowances can be made for installation and possible future service.

**Important:** *When installing these units **free standing** with discharge grills and isolators, a top support with isolator should be added to prevent tipping. Support and isolator can be attached to a wall or other appropriate structure.*

*If adding external accessories to the unit, additional clearances must be considered for the overall space needed.*

For installation of accessories available for this air handler, follow the installation instructions that are shipped with each accessory.

### Clearances

Allow the following minimum clearances for serviceability:

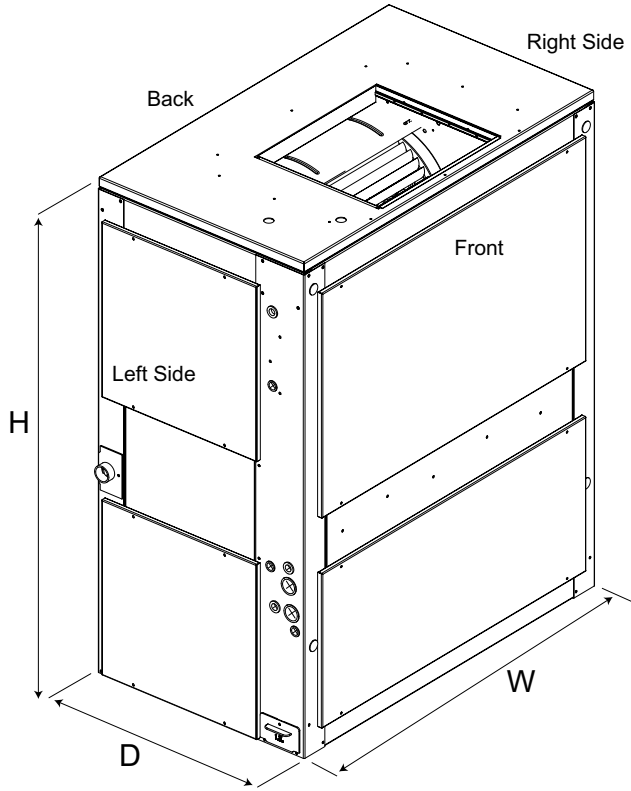
- Front and Back – 24 in. (610 mm)
- Sides – 22 in. (559 mm) for 5 - 10 ton units and 32 in. (813 mm) for 12.5 - 25 ton units

**Note:** *See Dimensional Data for additional reference.*

# Dimensional Data

## Air Handler

Figure 6. Height, width and depth measurements

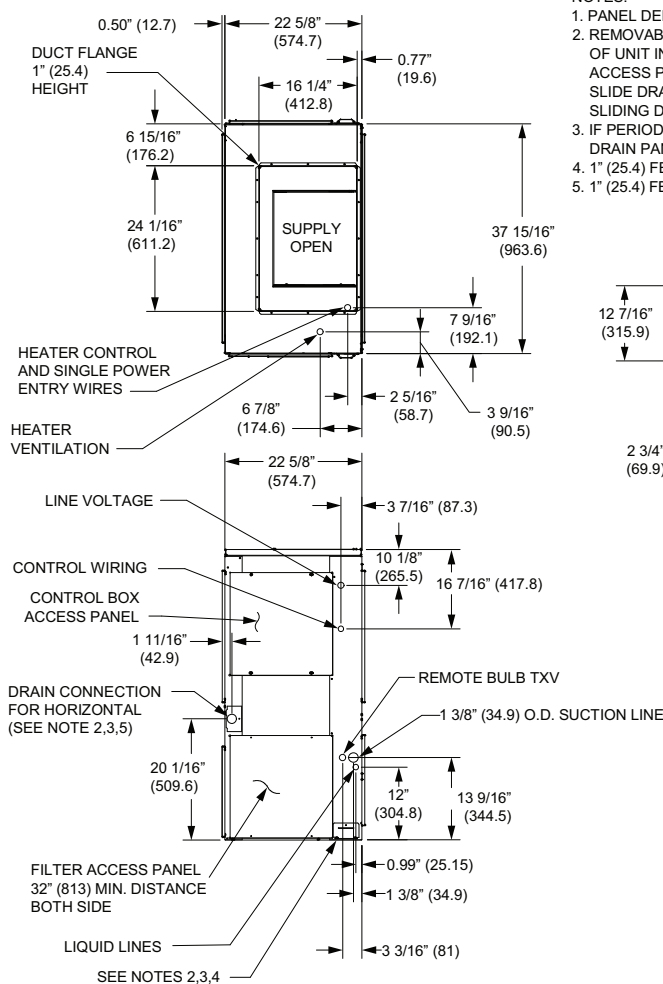


Model Number	H - in. (mm)	W - in. (mm)	D - in. (mm)
TWE060	48-1/8 (1222.4)	39-5/8 (1006.5)	23-5/8 (600.0)
TWE072, 090	54-1/8 (1374.8)	49-1/8 (1247.8)	26-1/2 (673.1)
TWE120	54-1/8 (1374.8)	65-1/8 (1654.2)	26-1/2 (673.1)
TWE150, 180	69-1/8 (1756.0)	81-1/4 (2063.7)	30 (762.0)
TWE240, 300	71-7/8 (1806.6)	94-1/4 (2394.0)	32-1/8 (816.0)

**Note:** Full dimensional data is available on the following pages.

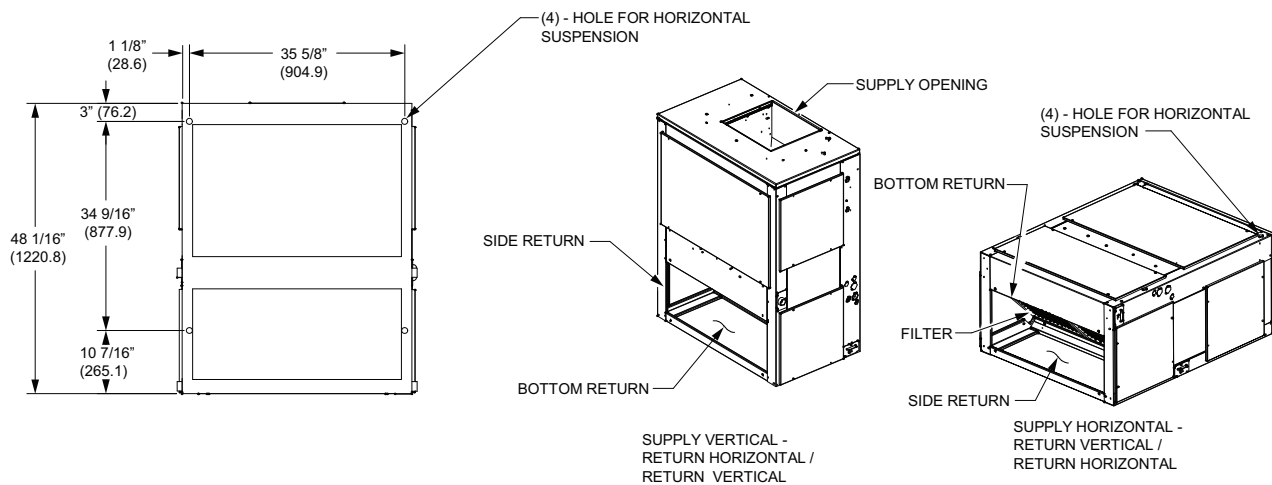
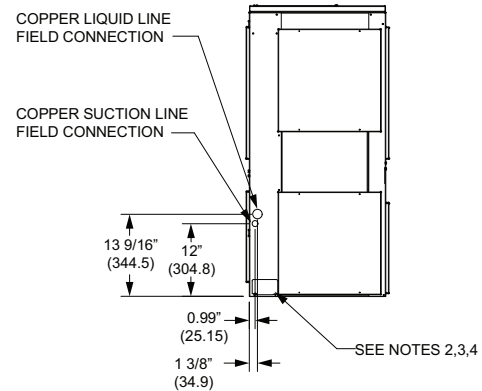
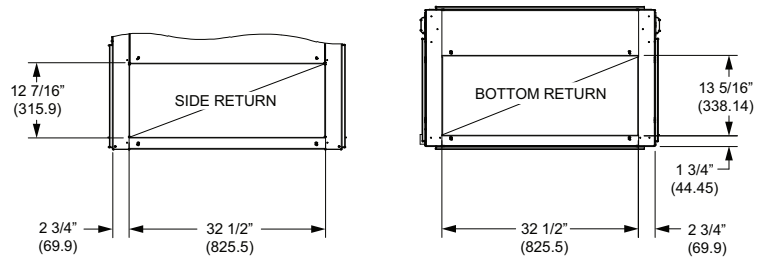
Figure 7. 5 ton air handler, single circuit – in. (mm)

Note: Duct flange is a field-installed accessory.



NOTES:

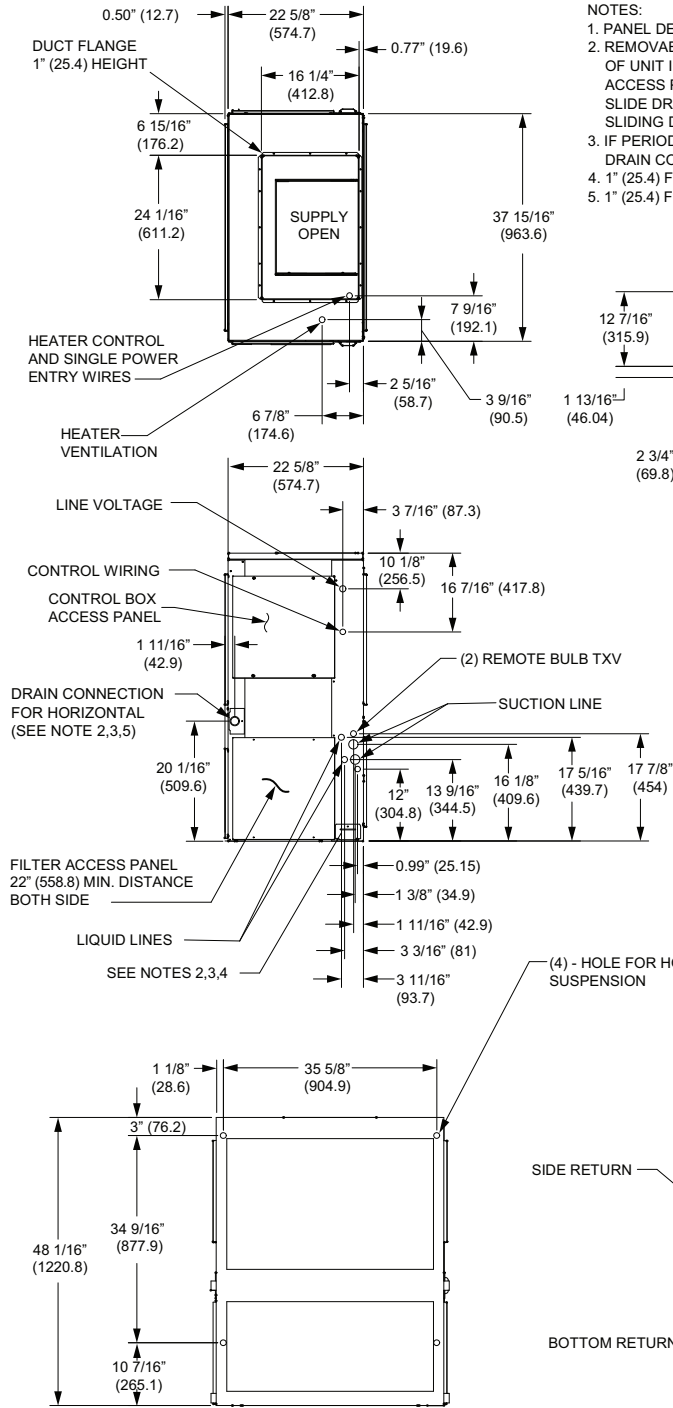
1. PANEL DEPTH 1/2" (12.7) (TYP. ALL PANELS).
2. REMOVABLE DRAIN PAN AND ATTACHED DRAIN CONNECTION MAY BE INSTALLED ON END OF UNIT IN EITHER THE VERTICAL OR HORIZONTAL CONFIGURATION, PLASTIC DRAIN PAN ACCESS PLATE ON THE END OF UNIT OPPOSITE DRAIN CONNECTION MUST BE REMOVED TO SLIDE DRAIN PAN OUT OF UNIT FOR CLEANING. ACCESS PLATE MUST BE RE-INSTALLED AFTER SLIDING DRAIN PAN BACK INTO UNIT.
3. IF PERIODIC DRAIN PAN CLEANING IS REQUIRED, ALLOW ROOM FOR PARTIAL REMOVAL OF DRAIN PAN CONNECTION AT END OF UNIT.
4. 1" (25.4) FEMALE SCHED. 40 (10.2) PVC PIPE DRAIN CONNECTION VERTICAL CONFIGURATION.
5. 1" (25.4) FEMALE SCHED. 40 (10.2) PVC PIPE DRAIN CONNECTION HORIZONTAL CONFIGURATION.



# Dimensional Data

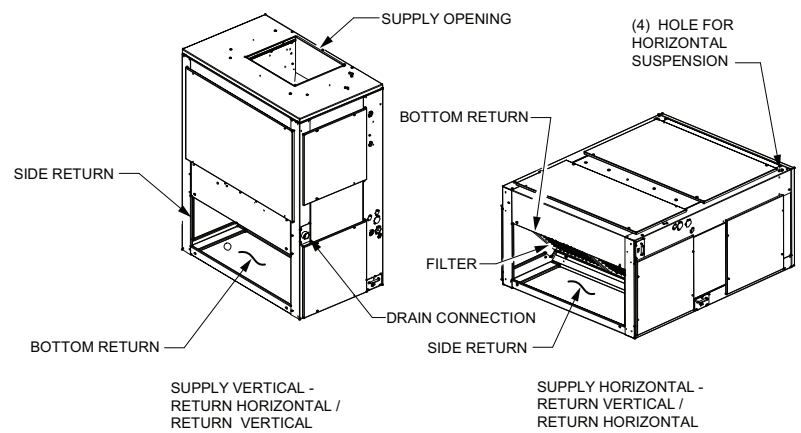
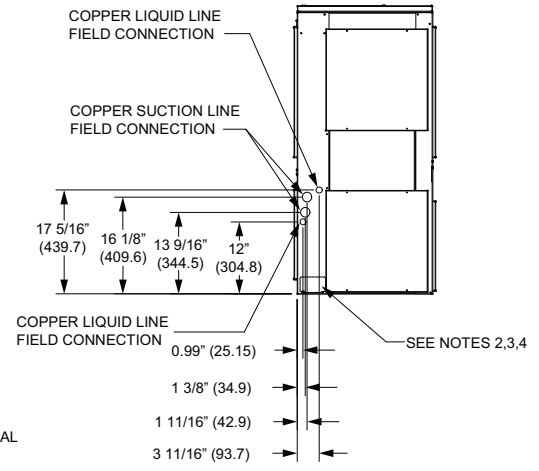
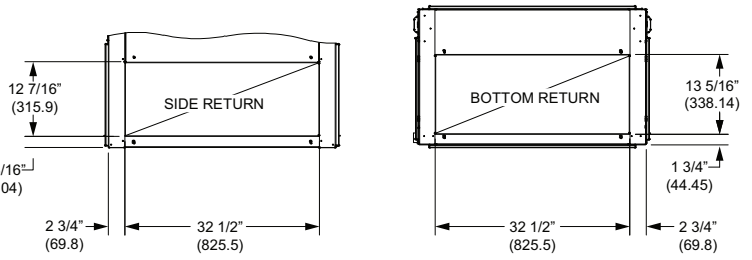
**Figure 8. 5 ton air handler, dual circuit – in. (mm)**

**Note: Duct flange is a field-installed accessory.**



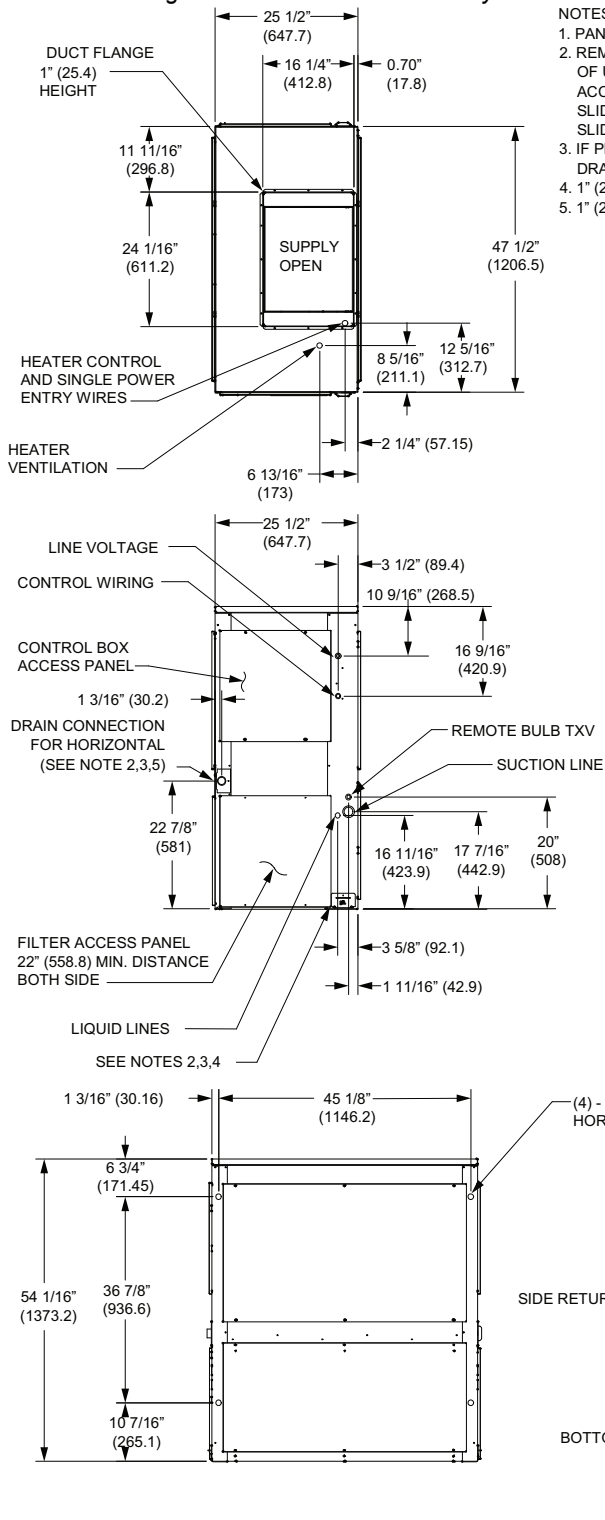
**NOTES:**

1. PANEL DEPTH 1/2" (12.7) (TYP. ALL PANELS).
2. REMOVABLE DRAIN PAN AND ATTACHED DRAIN CONNECTION MAY BE INSTALLED ON END OF UNIT IN EITHER THE VERTICAL OR HORIZONTAL CONFIGURATION, PLASTIC DRAIN PAN ACCESS PLATE ON THE END OF UNIT OPPOSITE DRAIN CONNECTION MUST BE REMOVED TO SLIDE DRAIN PAN OUT OF UNIT FOR CLEANING. ACCESS PLATE MUST BE RE-INSTALLED AFTER SLIDING DRAIN PAN BACK INTO UNIT.
3. IF PERIODIC DRAIN PAN CLEANING IS REQUIRED, ALLOW ROOM FOR PARTIAL REMOVAL OF DRAIN CONNECTION AT END OF UNIT.
4. 1" (25.4) FEMALE SCHED. 40 (10.2) PVC PIPE DRAIN CONNECTION VERTICAL CONFIGURATION.
5. 1" (25.4) FEMALE SCHED. 40 (10.2) PVC PIPE DRAIN CONNECTION HORIZONTAL CONFIGURATION.



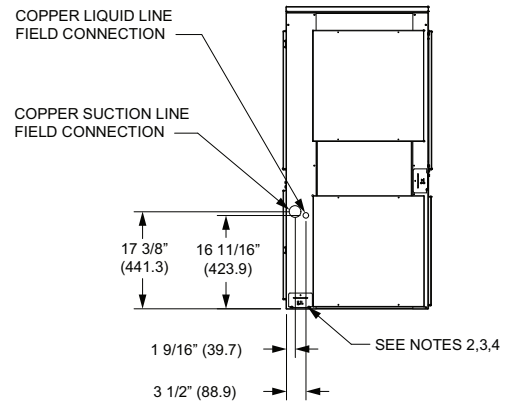
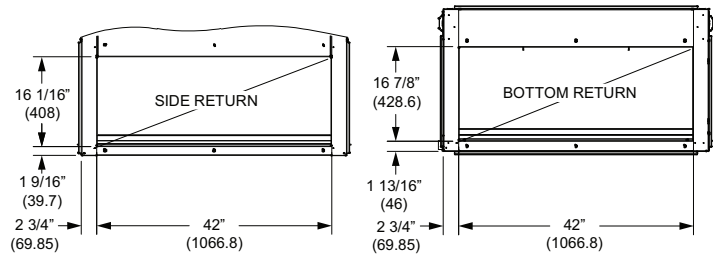
**Figure 9. 7.5 ton air handler, single circuit – in. (mm)**

**Note: Duct flange is a field-installed accessory.**



**NOTES:**

1. PANEL DEPTH 1/2" (12.7) (TYP. ALL PANELS).
2. REMOVABLE DRAIN PAN AND ATTACHED DRAIN CONNECTION MAY BE INSTALLED ON END OF UNIT IN EITHER THE VERTICAL OR HORIZONTAL CONFIGURATION. PLASTIC DRAIN PAN ACCESS PLATE ON THE END OF UNIT OPPOSITE DRAIN CONNECTION MUST BE REMOVED TO SLIDE DRAIN PAN OUT OF UNIT FOR CLEANING. ACCESS PLATE MUST BE RE-INSTALLED AFTER SLIDING DRAIN PAN BACK INTO UNIT.
3. IF PERIODIC DRAIN PAN CLEANING IS REQUIRED, ALLOW ROOM FOR PARTIAL REMOVAL OF DRAIN PAN CONNECTION AT END OF UNIT.
4. 1" (25.4) FEMALE SCHED. 40 (10.2) PVC PIPE DRAIN CONNECTION VERTICAL CONFIGURATION.
5. 1" (25.4) FEMALE SCHED. 40 (10.2) PVC PIPE DRAIN CONNECTION HORIZONTAL CONFIGURATION.



# Dimensional Data

**Figure 10. 6, 7.5 ton air handler, dual circuit – in. (mm)**

**Note: Duct flange is a field-installed accessory.**

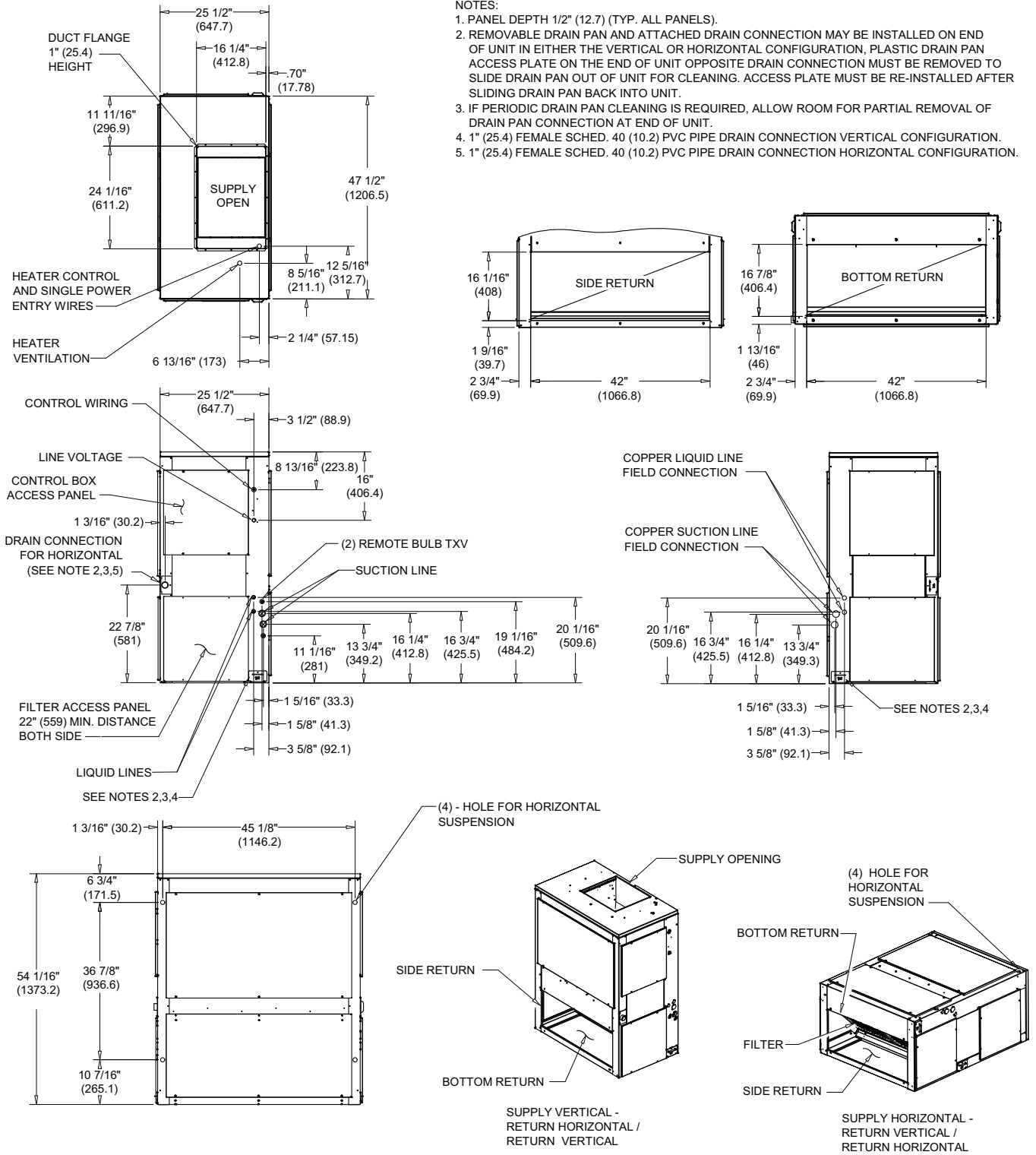
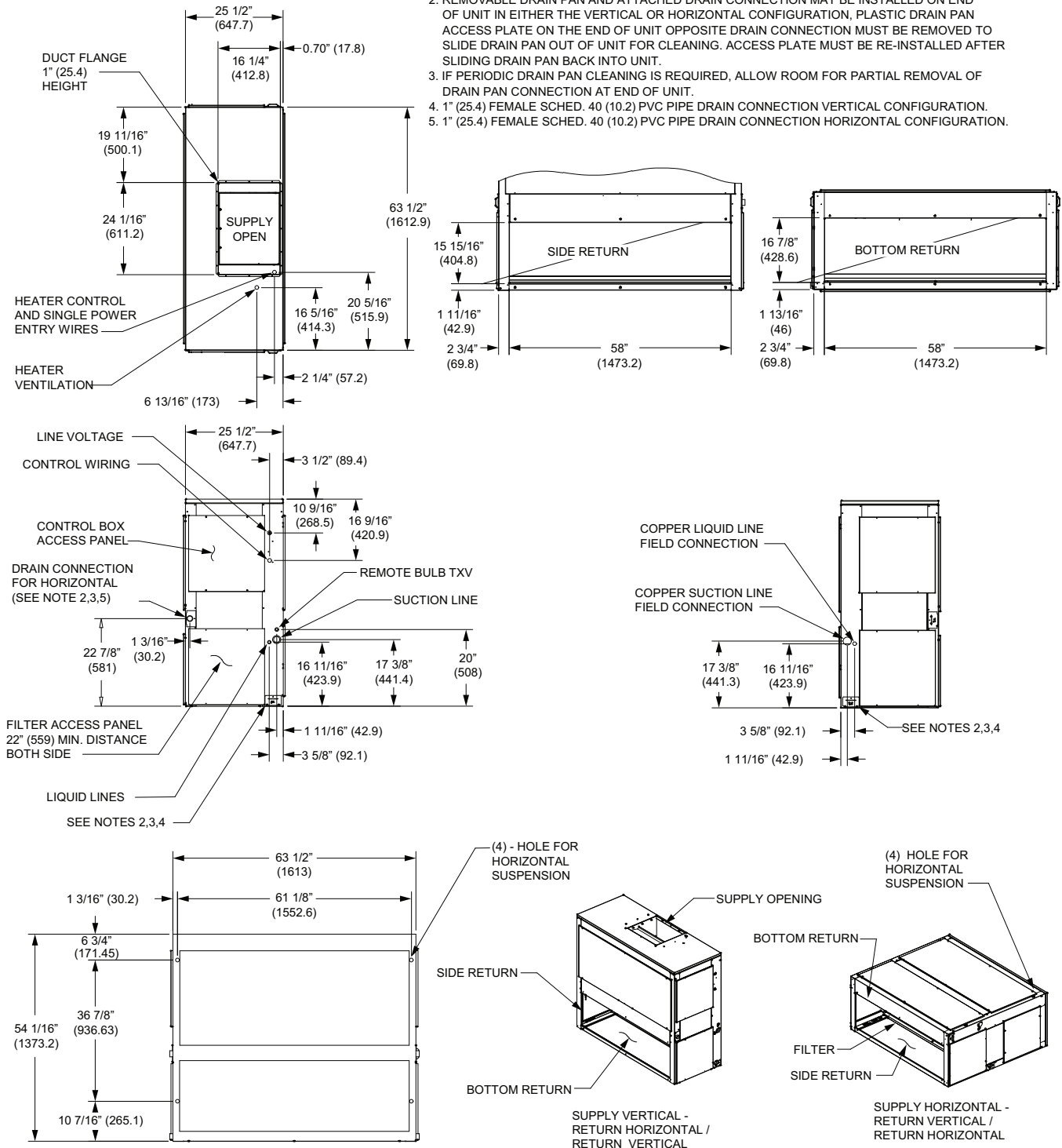


Figure 11. 10 ton air handler, single circuit – in. (mm)

Note: Duct flange is a field-installed accessory.

NOTES:

1. PANEL DEPTH 1/2" (12.7) (TYP. ALL PANELS).
2. REMOVABLE DRAIN PAN AND ATTACHED DRAIN CONNECTION MAY BE INSTALLED ON END OF UNIT IN EITHER THE VERTICAL OR HORIZONTAL CONFIGURATION, PLASTIC DRAIN PAN ACCESS PLATE ON THE END OF UNIT OPPOSITE DRAIN CONNECTION MUST BE REMOVED TO SLIDE DRAIN PAN OUT OF UNIT FOR CLEANING. ACCESS PLATE MUST BE RE-INSTALLED AFTER SLIDING DRAIN PAN BACK INTO UNIT.
3. IF PERIODIC DRAIN PAN CLEANING IS REQUIRED, ALLOW ROOM FOR PARTIAL REMOVAL OF DRAIN PAN CONNECTION AT END OF UNIT.
4. 1" (25.4) FEMALE SCHED. 40 (10.2) PVC PIPE DRAIN CONNECTION VERTICAL CONFIGURATION.
5. 1" (25.4) FEMALE SCHED. 40 (10.2) PVC PIPE DRAIN CONNECTION HORIZONTAL CONFIGURATION.



# Dimensional Data

**Figure 12. 10 ton air handler, dual circuit – in. (mm)**

*Note: Duct flange is a field-installed accessory.*

**NOTES:**

1. PANEL DEPTH 1/2" (12.7) (TYP. ALL PANELS).
2. REMOVABLE DRAIN PAN AND ATTACHED DRAIN CONNECTION MAY BE INSTALLED ON END OF UNIT IN EITHER THE VERTICAL OR HORIZONTAL CONFIGURATION, PLASTIC DRAIN PAN ACCESS PLATE ON THE END OF UNIT OPPOSITE DRAIN CONNECTION MUST BE REMOVED TO SLIDE DRAIN PAN OUT OF UNIT FOR CLEANING. ACCESS PLATE MUST BE RE-INSTALLED AFTER SLIDING DRAIN PAN BACK INTO UNIT.
3. IF PERIODIC DRAIN PAN CLEANING IS REQUIRED, ALLOW ROOM FOR PARTIAL REMOVAL OF DRAIN PAN CONNECTION AT END OF UNIT.
4. 1" (25.4) FEMALE SCHED. 40 (10.2) PVC PIPE DRAIN CONNECTION VERTICAL CONFIGURATION.
5. 1" (25.4) FEMALE SCHED. 40 (10.2) PVC PIPE DRAIN CONNECTION HORIZONTAL CONFIGURATION.

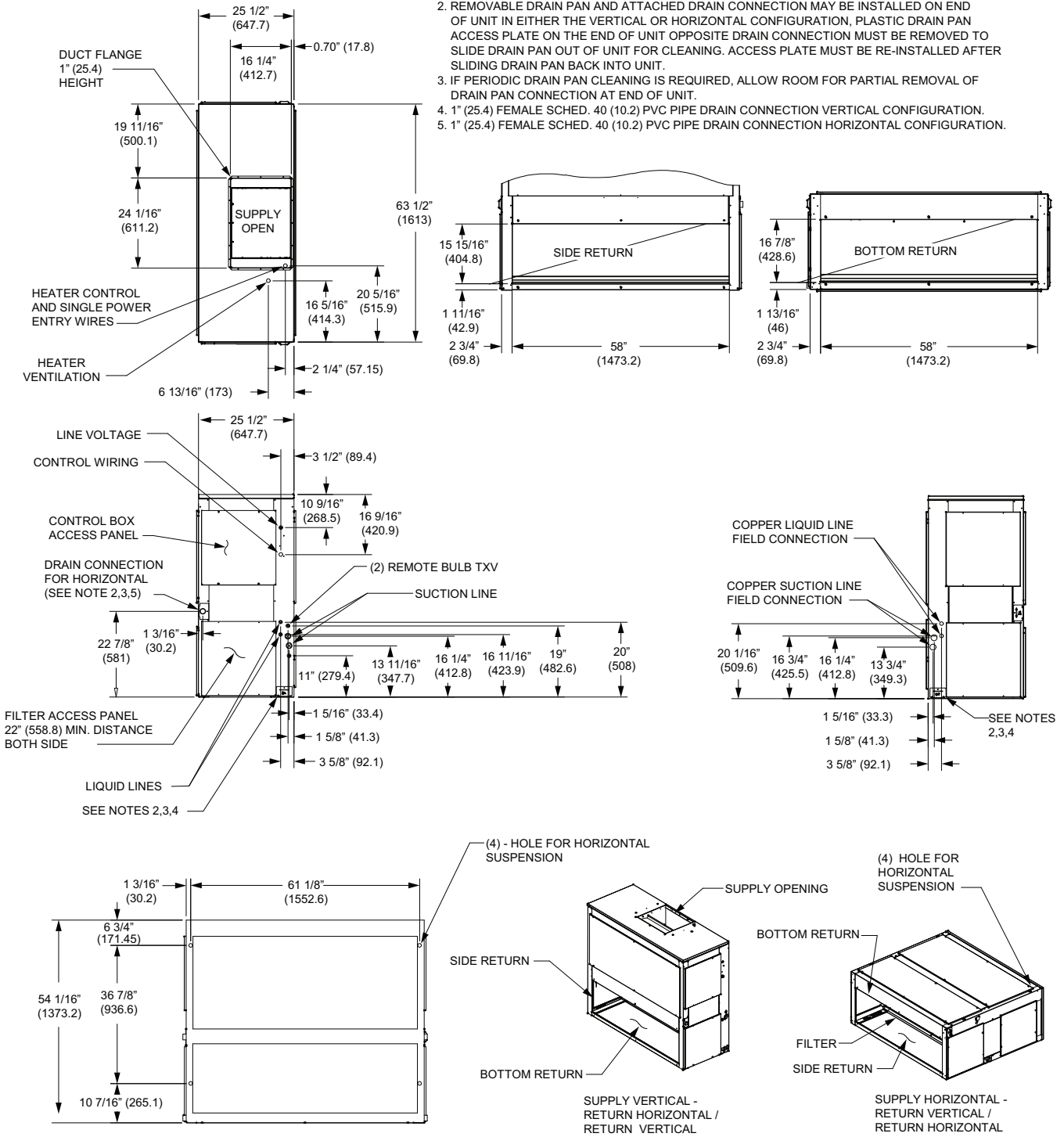
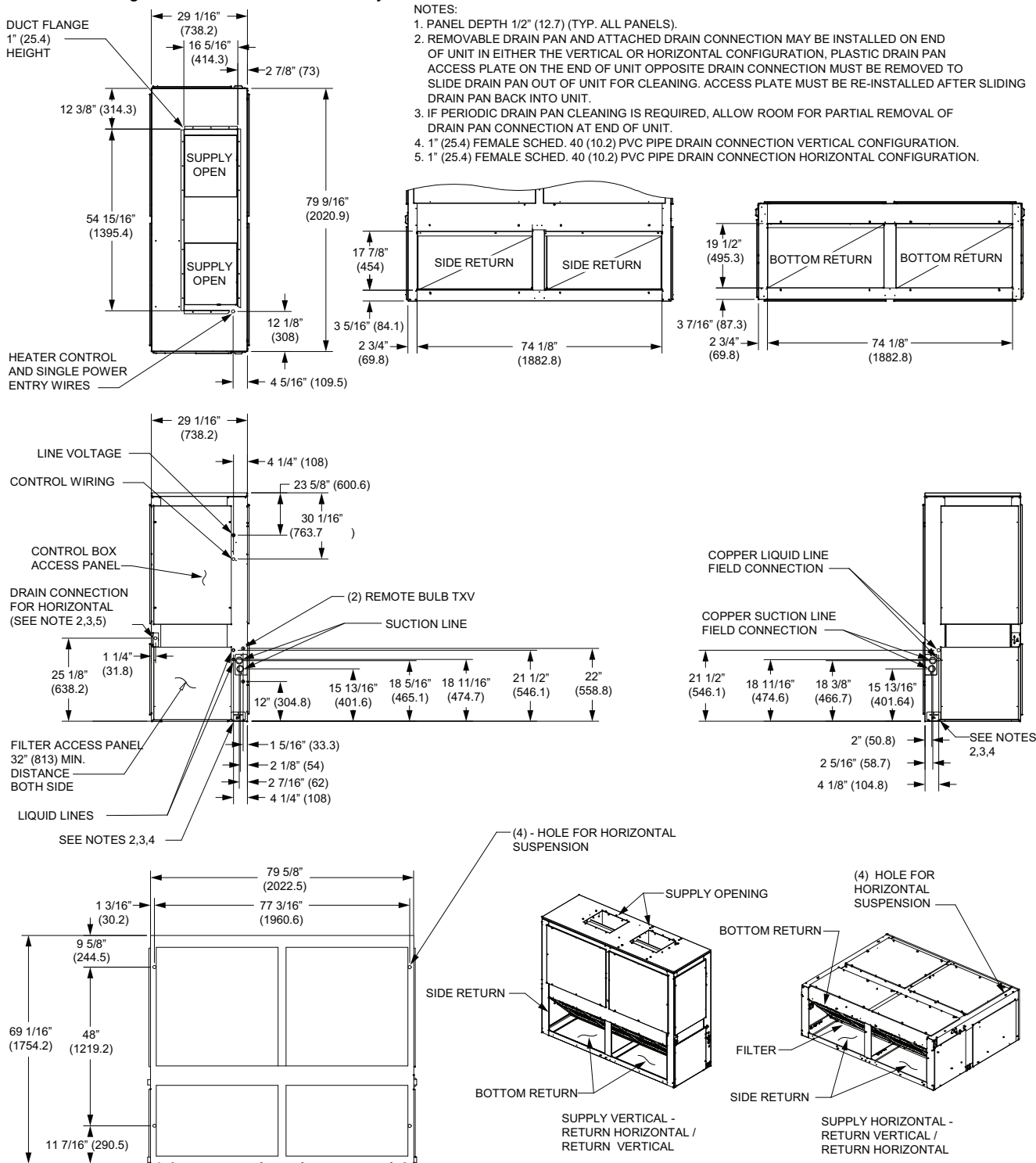




Figure 13. 12.5, 15 ton air handler, dual circuit – in. (mm)

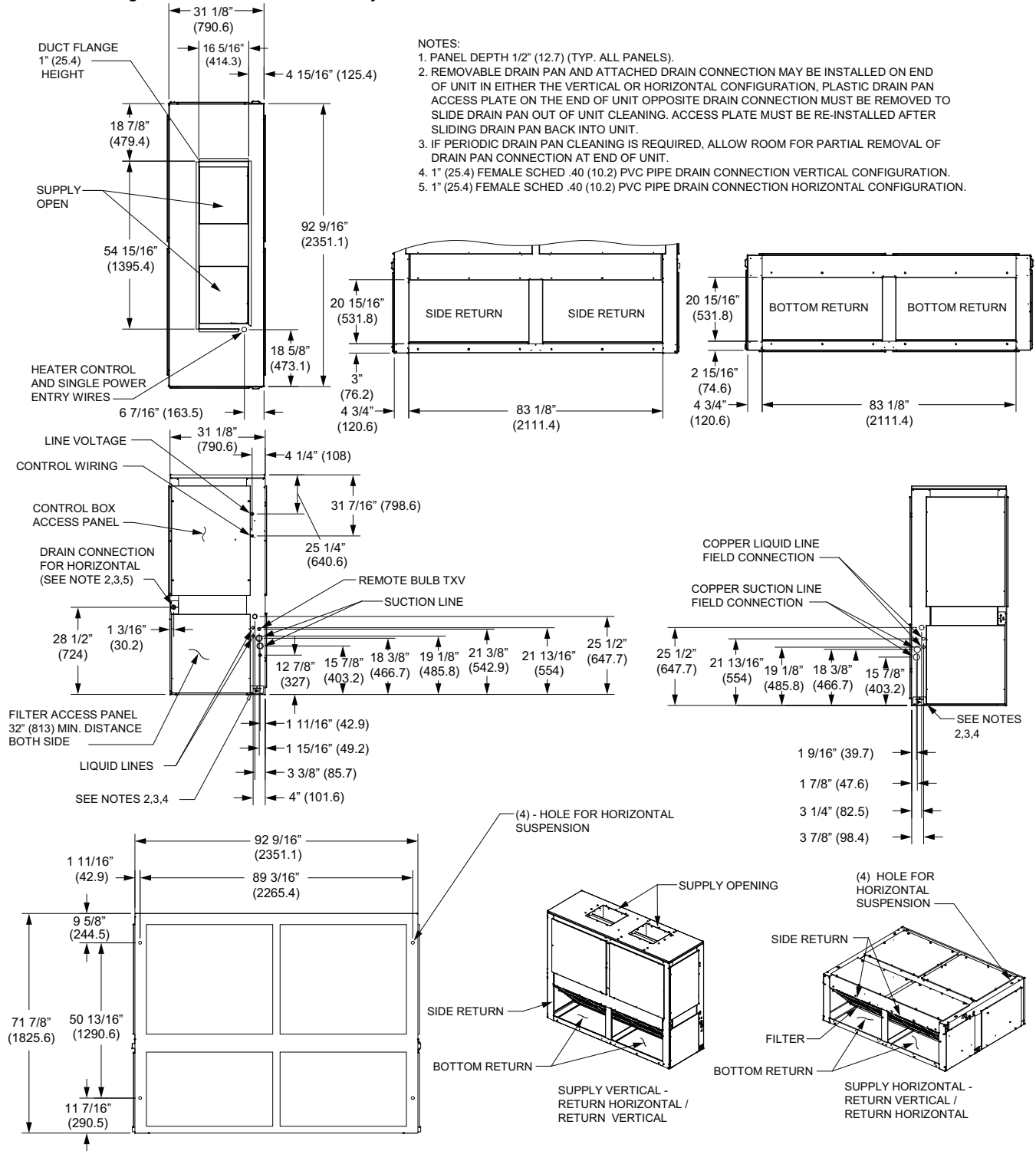
Note: Duct flange is a field-installed accessory.



# Dimensional Data

**Figure 14. 20, 25 ton air handler, dual circuit – in. (mm)**

*Note: Duct flange is a field-installed accessory.*



# Weights

## Air Handler

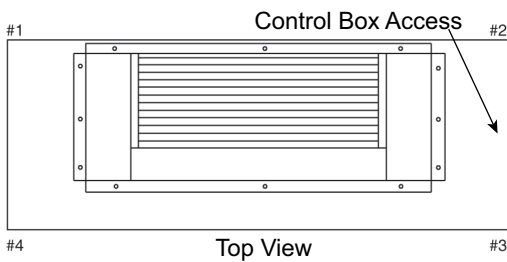
**Table 2. Constant volume air handler (TWE) — unit and corner weights - (60 Hz)**

Tons	Model Number	Shipping Max (lbs)	Net Max (lbs)	Corner Weights - Vertical				Corner Weights - Horizontal			
				1	2	3	4	1	2	3	4
5	TWE060K(3,4,W, 1)A TWE0604(3,4, 1)B	285	232	55	71	51	55	54	67	50	61
7.5	TWE090K(1)A/B	385	323	67	99	75	82	56	92	87	88
10	TWE120K(1)A/B	441	393	77	121	110	85	79	118	77	119

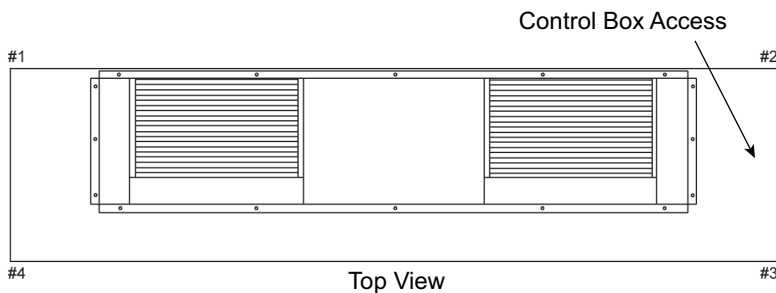
**Table 3. SZVAV and 2-Speed VFD air handler (TWE) — unit and corner weights - (60 Hz)**

Tons	Model Number	Shipping Max (lbs)	Net Max (lbs)	Corner Weights - Vertical				Corner Weights - Horizontal			
				1	2	3	4	1	2	3	4
6	TWE072K*B	398	336	70	102	78	86	59	95	90	92
7.5	TWE090K*A/B	398	336	70	102	78	86	59	95	90	92
10	TWE120K*A/B	454	406	80	124	113	89	82	121	80	123
12.5	TWE150K*B	766	689	171	195	184	139	199	167	148	175
15	TWE180K*B	765	688	170	195	184	139	199	166	148	175
20	TWE240K*B	925	831	261	171	164	235	259	184	149	239
25	TWE300K*B	1015	921	217	235	189	280	278	182	233	228

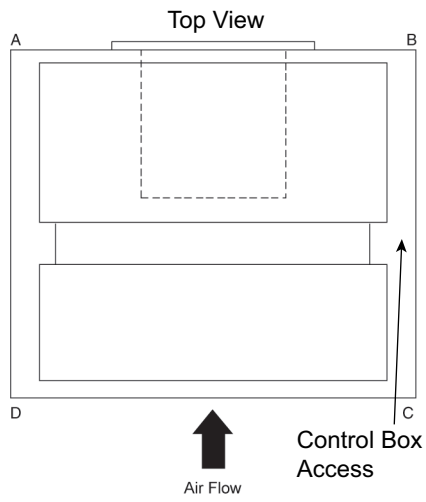
**Figure 15. Vertical — TWE060, 072, 090, 120**



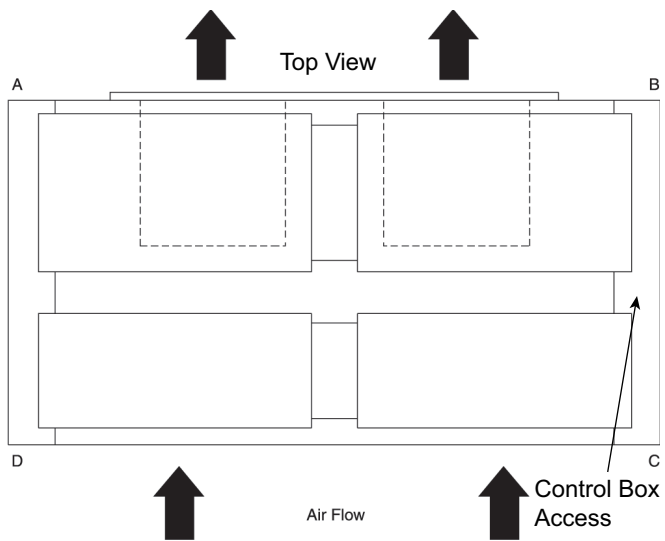
**Figure 16. Vertical — TWE 150, 180, 240, 300**



**Figure 17. Horizontal — TWE 060, 072, 090, 120**



**Figure 18. Horizontal — TWE 150, 180, 240, 300**



## Accessories

Table 4. Accessory weights (net lbs.)

Unit Used w/ Tons	Hot Water Coil	Steam Coil	Discharge Plenum and Grille with Hydronic Heat	Discharge Plenum and Grille without Heat	Discharge Plenum and Grille with Electric Heat	Return Air Grille	Electric Heat Min/Max	Subbase	Oversized Motor	RIS Isolator Floor Mount
6	116	131	78	73	160	5	27/45	19.4	48	2
7.5	116	131	78	73	160	5	27/45	19.4	48	2
10	165	148	97	92	195	7	27/45	23.5	50	2
12.5	211	234	—	230	235	10	79/100	28.4	80	2
15	211	234	—	230	235	10	79/100	28.4	80	2
20	242	261	—	145	265	12	79/100	31.7	88	2
25	242	261	—	145	265	12	79/100	31.7	129	2
Unit Used w/ Tons	RIS Isolator Suspended Mount	Steel Spring Isolator Floor Mount	Steel Spring Isolator Suspended Mount	Hail Guard	Control Transformer	Sensors	Expansion Module	Low Ambient	Service Valve	
6	6	12	6	21	4	1	13	13	5	
7.5	6	12	6	21	4	1	13	13	5	
10	7	12	6	28	4	1	13	13	5	
12.5	7	12	6	33	4	1	13	13	5	
15	7	12	6	55	4	1	2	2	5	
20	9	12	6	55	4	1	2	2	5	
25	9	12	6	71	4	1	2	2	5	

# Installation

## Horizontal Suspension

If the air handler will be suspended, use a suspension mounting kit to isolate the unit from the structure. This is usually accomplished with spring or rubber isolators, which are offered as an accessory.

Mounting rods must be field supplied. Isolator selection is dependent upon total unit weight including accessories — see “Weights,” p. 27 for approximate unit and accessory weights.

### NOTICE

#### Equipment Damage!

**Before hanging the unit on suspension rods, reinforce the cabinet around the suspension holes by using a large washer inside the cabinet. Washers should be between the skin of the air handler and the nut on the suspension rod.**

Align holes in the cabinet with structural supports and secure suspension rods to the structure, then to the air handler cabinet. If hole locations do not permit proper alignment with existing structure, it may be necessary to field fabricate cross members on existing structural beams.

**Note:** *When other than bottom return is to be used, side panel removal for return duct installation must be secured over the bottom opening.*

## Leveling

This air handler has a double sloped drain pan. In order to assure proper drainage along the length of the drain pan, it is important to have the unit properly leveled. Be sure the air handler is level.

## Auxiliary Drain Pan

A field fabricated, auxiliary drain pan should be installed under the unit for all horizontal applications and when air handlers are installed above ceilings or in other locations where condensate overflow may cause damage.

This drain pan will eliminate any excess condensation that may be due to extreme humidity or an obstructed drain in the primary drain pan. Drain lines from this pan must be installed, but should not be connected to the primary drain line from the unit. Isolate the auxiliary drain pan from both the air handler and the structure.

## Refrigerant Piping

Installation, brazing, leak testing and evacuation of refrigerant lines are covered in the installation instructions that shipped with the outdoor unit. Read the instructions before beginning installation of refrigerant lines.

### NOTICE

#### Equipment Damage!

**Ensure that the refrigerant lines passing through the cabinet are not resting on sharp sheet metal edges and that the bulb(s) are attached to the suction line of the same circuit.**

1. Locate cloth bag(s) that contains a stainless steel clamp and insulation material (approximately 9-inch long by 4-inch wide) for each refrigerant circuit. This is for attaching and insulating the expansion valve bulb(s) to the suction line(s).

2. Attach the expansion valve bulb(s)

#### **On air handlers that will have refrigerant lines entering the cabinet from the left side:**

- a. Remove the split rubber grommet from the knockout in the end of the air handler. Uncoil the cap tube with the bulb attached at the expansion valve and place the grommet on the cap tube.
- b. With the grommet around the tube, push the bulb through the hole and position the grommet back into its original position (one bulb and cap tube on single circuit units, and two bulbs and cap tubes on dual circuit units).

#### **On air handlers that will have refrigerant lines entering the cabinet from the right side:**

- a. Attach the bulb(s) to the suction tube(s) inside the cabinet, approximately 10-inch from the right end of the unit.
3. Attach the bulb(s) on a horizontal section of tube where the entire length of the bulb is in contact with the tube (see Figure 19, p. 31), approximately 45 degrees off vertical (a 10 or 2 o'clock position).
  4. After attaching to the suction line(s), either inside or outside of the cabinet, wrap the insulation around the bulb(s) and suction tube(s).

**Note:** *Suction piping should be insulated.*

**⚠ WARNING**

**Fiberglass Wool!**

Exposure to glass wool fibers without all necessary PPE equipment could result in cancer, respiratory, skin or eye irritation, which could result in death or serious injury. Disturbing the insulation in this product during installation, maintenance or repair will expose you to airborne particles of glass wool fibers and ceramic fibers known to the state of California to cause cancer through inhalation.

You **MUST** wear all necessary Personal Protective Equipment (PPE) including gloves, eye protection, a NIOSH approved dust/mist respirator, long sleeves and pants when working with products containing fiberglass wool.

**Precautionary Measures:**

- Avoid breathing fiberglass dust.
- Use a NIOSH approved dust/mist respirator.
- Avoid contact with the skin or eyes. Wear long-sleeved, loose-fitting clothing, gloves, and eye protection.
- Wash clothes separately from other clothing; rinse washer thoroughly.
- Operations such as sawing, blowing, tear-out, and spraying may generate fiber concentrations requiring additional respiratory protection. Use the appropriate NIOSH approved respirator.

**First Aid Measures:**

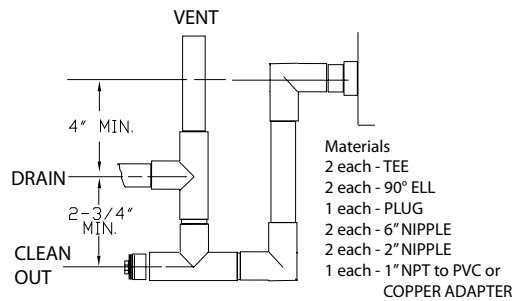
- Eye Contact - Flush eyes with water to remove dust. If symptoms persist, seek medical attention.
- Skin Contact - Wash affected areas gently with soap and warm water after handling.

**Condensate Piping**

The drain pan condensate connection is a female slip joint type for 1" Schedule 40 PVC pipe. Use PVC cement and tubing as required (field supplied) to construct a trap. A union or flexible tubing and clamps may be installed if the drain pan is to be removed periodically for cleaning.

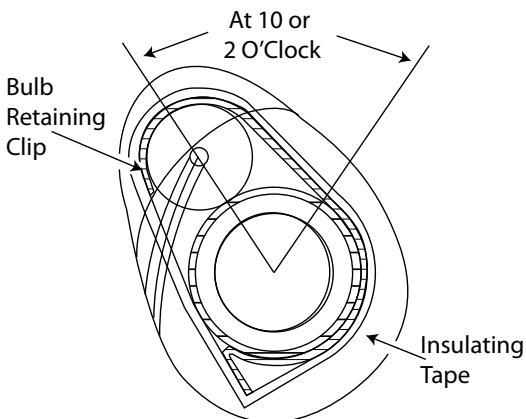
*Note: When air handler is installed in the vertical position and close proximity trapping of condensate is required, use of a subbase accessory to raise the air handler for clearance of the drain trap is recommended. See Figure 20, p. 31 for a typical drain trap assembly.*

**Figure 20. Typical drain trap assembly**



**Important:** Properly support the drain line to prevent the drain pan connection from cracking.

**Figure 19. Remote bulb installation**



## Filter Replacement

### ⚠ WARNING

#### Fiberglass Wool!

Exposure to glass wool fibers without all necessary PPE equipment could result in cancer, respiratory, skin or eye irritation, which could result in death or serious injury. Disturbing the insulation in this product during installation, maintenance or repair will expose you to airborne particles of glass wool fibers and ceramic fibers known to the state of California to cause cancer through inhalation.

You **MUST** wear all necessary Personal Protective Equipment (PPE) including gloves, eye protection, a NIOSH approved dust/mist respirator, long sleeves and pants when working with products containing fiberglass wool.

#### Precautionary Measures:

- Avoid breathing fiberglass dust.
- Use a NIOSH approved dust/mist respirator.
- Avoid contact with the skin or eyes. Wear long-sleeved, loose-fitting clothing, gloves, and eye protection.
- Wash clothes separately from other clothing; rinse washer thoroughly.
- Operations such as sawing, blowing, tear-out, and spraying may generate fiber concentrations requiring additional respiratory protection. Use the appropriate NIOSH approved respirator.

#### First Aid Measures:

- **Eye Contact** - Flush eyes with water to remove dust. If symptoms persist, seek medical attention.
- **Skin Contact** - Wash affected areas gently with soap and warm water after handling.

Air handlers are shipped with throwaway filters installed.

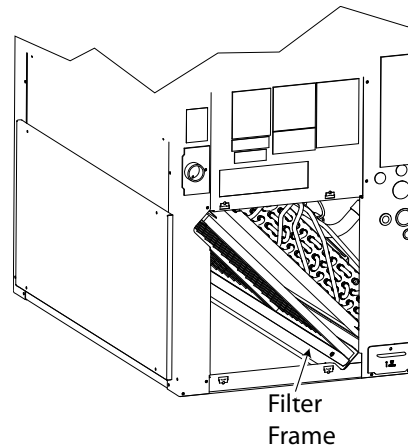
**Note:** 2-inch Merv13 filters are available for field install option only.

To replace filters from the end of the unit, remove lower access panel (either end) and slide old filters out and replace with new ones.

To replace from the front of the unit, remove one L shaped angle. Remove and replace filters and reinstall L shaped angle. See [Figure 21](#), p. 32.

To convert from 1-inch filter to a 2-inch filter on units so equipped, remove lower access panels from both ends of the air handler. Remove screws and rotate the L shaped angles from both the top and bottom of the filter track 180° to increase the width of the filter opening.

Figure 21. Filter location



## Duct Connections

The supply and return ducts should be connected to the unit with flame retardant duct connectors to reduce vibration transmission. The return duct should be sized to the same dimensions as the return inlet of the unit.

**Important:** Duct flanges are provided for attachment of the duct work and are packaged on the outside of the cabinet for TWE150, 180, 240, and 300. The duct flanges are fastened to the pallet below the coil (bottom return) on the TWE060, 072, 090, and 120 models.

## Air Flow Settings

Airflow options for this unit can be set to Constant Volume, Two Speed Fan, and Single Zone VAV Fan. Correct configuration and airflow adjustment instructions can be found in the Startup section of this manual.

## Electrical Wiring

### ⚠ WARNING

#### Hazardous Voltage w/Capacitors!

Failure to disconnect power and discharge capacitors before servicing could result in death or serious injury.

Disconnect all electric power, including remote disconnects and discharge all motor start/run capacitors before servicing. Follow proper lockout/tagout procedures to ensure the power cannot be inadvertently energized. For variable frequency drives or other energy storing components provided by Trane or others, refer to the appropriate manufacturer's literature for allowable waiting periods for discharge of capacitors. Verify with a CAT III or IV voltmeter rated per NFPA 70E that all capacitors have discharged.



**⚠ WARNING**

**Proper Field Wiring and Grounding Required!**

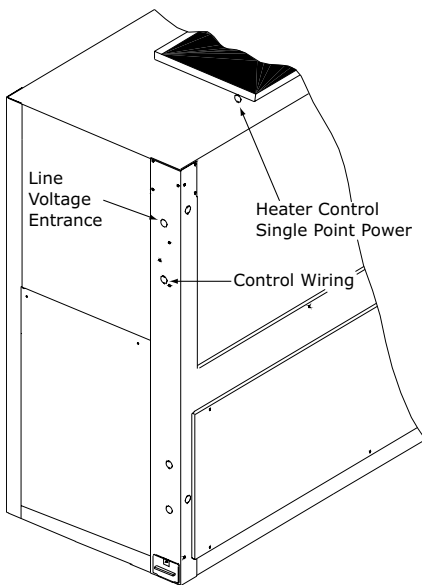
Failure to follow code could result in death or serious injury.

All field wiring **MUST** be performed by qualified personnel. Improperly installed and grounded field wiring poses **FIRE** and **ELECTROCUTION** hazards. To avoid these hazards, you **MUST** follow requirements for field wiring installation and grounding as described in NEC and your local/state/national electrical codes.

1. All electrical lines, sizing, protection, and grounding must be in accordance with the National Electric Code and local codes.
2. Isolate conduit whenever vibration transmission may cause a noise problem within the building structure.
3. Ensure all connections are tight and no wires exposed.
4. All accessories must be installed and wired according to the instructions packaged with that accessory.

For air handler power entry only, or for dual power entry (power entry for air handler and power entry for electric heat), the electrical connections are made in the fan control box located in the right side of the air handler and electric heater respectively. Wiring entrance is through holes provided in the end of the air handler cabinet, [Figure 22, p. 33](#). Breaker or fuse size can be selected using the nameplates attached to the unit and electric heater.

**Figure 22. Electrical entries**



**Unit Power Supply**

The installer must provide line voltage circuit(s) to the unit main power terminals as shown by the unit wiring diagrams. Adhesive backed diagrams are affixed inside the control box cover panel. Wiring diagrams are also available through e-Library or by contacting a local sales office. Power supply must include a disconnect switch in a location convenient to the unit. Ground the unit according to local codes and provide flexible conduit if codes require and/or if vibration transmission may cause noise problems.

**Important:** All wiring must comply with applicable local and national (NEC) codes. Type and location of disconnect switches must comply with all applicable codes.

**⚠ WARNING**

**Proper Field Wiring and Grounding Required!**

Failure to follow code could result in death or serious injury.

All field wiring **MUST** be performed by qualified personnel. Improperly installed and grounded field wiring poses **FIRE** and **ELECTROCUTION** hazards. To avoid these hazards, you **MUST** follow requirements for field wiring installation and grounding as described in NEC and your local/state/national electrical codes.

**NOTICE**

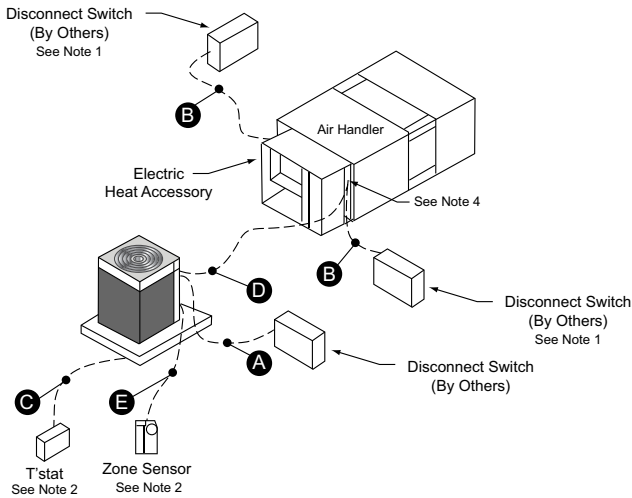
**Use Copper Conductors Only!**

Failure to use copper conductors could result in equipment damage as the equipment was not designed or qualified to accept other types of conductors.

**Symbio™ Controls**

Wiring shown with dashed lines is to be furnished and installed by the customer. All customer supplied wiring must be copper only and must conform to NEC and local electrical codes. Codes may require line of sight between disconnect switch and unit.

**Figure 23. Symbio jobsite connections**



### Power Wires

- A. 3 wires, line voltage for 3 phase, 1 grounding wire\*\*
- B. 3 wires, line voltage for 3 phase, (2 wires for single phase) 1 grounding wire\*\*

### Control Wires

- C. Cooling only (or Cooling with Heat) thermostat: 4 to 7 wires depending on stages of cooling and electric heat
- C. Heat Pump thermostat: 6 to 9 wires depending on T'stat options and stages of cooling and heating
- D. Wiring between indoor and outdoor unit: 5 to 11 wires depending on unit control options\*
- E. Wiring between indoor and outdoor units: 2 wires are required between the Relay board and Symbio 700 module to allow the controls to receive notification of a refrigerant leak event.
- F. Zone Sensor: 4 to 7 wires depending on zone sensor model\*

### Communication signal wires require shielded twisted pairs.

Use Comlink cable with a PVC jacket, 18/1 PR, stranded shield, 25 PF/FT plenum rated for the field communication signal wiring. Refer to wiring diagram schematics for identification of shielded twisted pairs.

### Notes:

1. When electric heater accessory is used, single point power entry or dual point power entry is field optional. Single point power entry option is through electric heater only.
2. \*Choose only one of the following; Thermostat, Mechanical Zone Sensor, Programmable Zone Sensor Panel or BAS Zone Sensor.
3. \*\*

## ⚠ WARNING

### Electrical Shock Hazard!

**Failure to follow instructions below could result in death or serious injury.**

**Properly connect the system's oversized protective earthing (grounding) terminal(s).**

4. Once power wire connections are complete inside the air handler control box, seal the sheet metal entry points of the control box by using parts (neoprene gasket, grommet, and plug) shipped along with the air handler unit package.
5. For detailed controls wiring instructions, see Split System Air Conditioners Odyssey™ with Symbio™ Controls Wiring and Start-Up Installation Guide (SS-SVN016\*-EN).

**Important:** For the EDC switch to be functional and thereby facilitate reliable unit operation, make the EDC connections from the indoor to the outdoor control boxes.

**Table 5. Recommended thermostat wire size**

Wire Size	Maximum Wire Length
(Gauge)	Physical distance between Unit and T' stat
22	30 Feet
20	50 Feet
18	75 Feet
16	125 Feet
14	200 Feet

**Table 6. Zone sensor module wiring**

Distance from Unit to Control	Recommended Wire Size
0-150 feet (0-45.7 m)	22 gauge (0.33 mm <sup>2</sup> )
151-240 feet (46-73.1 m)	20 gauge (0.50 mm <sup>2</sup> )
241-305 feet (73.5-117.3 m)	18 gauge (0.75 mm <sup>2</sup> )
386-610 feet (117.7-185.9 m)	16 gauge (1.31 mm <sup>2</sup> )
611-970 feet (186.2-295.7 m)	14 gauge ( 2.08 mm <sup>2</sup> )

## Installation Checklist

### **⚠ WARNING**

#### **Hazardous Voltage!**

**Failure to disconnect power before servicing could result in death or serious injury.**

**Disconnect all electric power, including remote disconnects before servicing. Follow proper lockout/tagout procedures to ensure the power can not be inadvertently energized. Verify that no power is present with a voltmeter.**

Complete this checklist once the unit is installed to verify that all recommended procedures have been accomplished before the system is started. Operational checks cannot be performed until the outdoor unit is installed and system interconnection is complete.

- Verify that the unit electrical power is disconnected.

- Inspect all field wiring connections. All connections should be clean and tight.
- Inspect unit ground connection(s). Ground must comply with all applicable codes.
- Inspect unit suspension arrangement (if used). Unit position must be secure. Remove any tools or debris found in or near the unit.
- Inspect duct outlets. Outlets must be open and unrestricted.
- Inspect unit drain lines. Pipe connections must be tight and drain line unrestricted.
- Inspect fan assembly to insure all moving parts move freely.
- If unit is horizontally mounted, make sure secondary drain pan has been installed.
- Inspect unit for proper filters, securely installed and not touching the coil surface. All cabinet panels must be secure.
- Instruct owner/operator on proper system operating and maintenance procedure.
- Inspect blower assembly to make sure all bolts and screws are tight.
- Inspect blower pulley alignment.
- Inspect factory high and low voltage wiring to make sure all connections are tight and clean.

## Low Voltage Wiring

Mount the indoor thermostat, zone sensor, or programmable zone sensor in accordance with the corresponding thermostat installation instructions. Install color-coded, weather-proof, multi-wire cable according to the *Split System Air Conditioners Odyssey™ with Symbio™ Controls Wiring and Start-Up, Installation Guide* (SS-SVN017\*-EN).

**Note:** Refer to thermostat or zone sensor wire installation guide for proper wire gauge.

### Field Wiring

Refer to the latest version of *System Air Conditioners Odyssey™ with Symbio™ Controls Wiring and Start-Up, Installation Guide* (SS-SVN017\*-EN) for instructions on field wiring connections.

### EDC Switch Wiring

The Evaporator Defrost Control Switch is wired from the factory Normally Open to operate with Symbio™ condensers. For operation with legacy ReliateI™ or Electromechanical condensers, change the wiring on the

switch to the Normally Closed position and connect the wires from the switch to the wires from the legacy condenser that control this function.

### Checkout Procedure

Complete the “[Installation Checklist](#),” p. 35 once installation of field wiring connections is complete. All operational checks (unit running) must be made after the outdoor unit is installed and system interconnection is complete.

# Start-Up

## Heating and Cooling Setpoint Arbitration

All control function setpoints are set through one of the Symbio™ 700 user interfaces. If no changes are made, the controller will operate, as configured, based on the default settings. Refer to the Symbio 700 Controller with Odyssey Split Systems Application Guide for details about which setpoints are required per application.

## Constant Volume Units

(Unit model number digit 15 = "1")

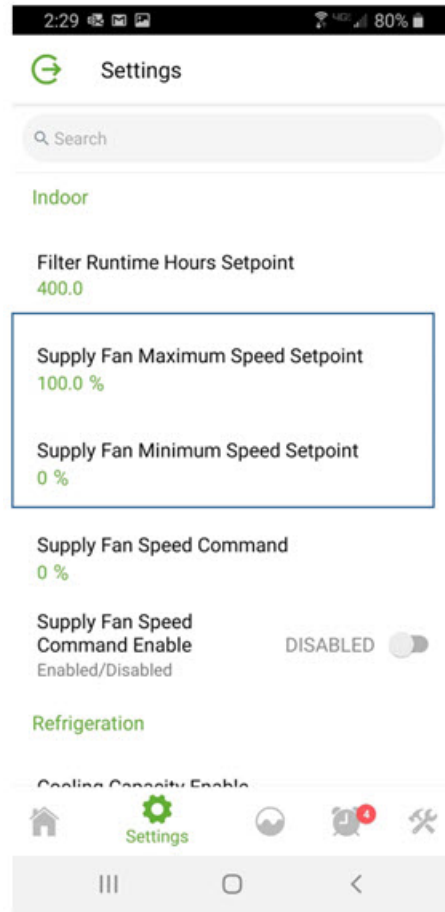
Unit is shipped for nominal airflow with nominal static pressure. Please refer to the fan performance table in the product catalog and select the proper drive package for each application. Failure to do so could result in improper airflow causing coil frosting or condensate management problems. Condensate management problems such as water blow off could be the result of too great of air face velocity across the coil. To ensure proper operation refer to "Fan Belt Adjustment," p. 49

## SZVAV and Two Speed Air-Handling Units with Symbio™ Condenser Units

(Unit Model Number Digit 15 = "D")

The Symbio 700 controller provides integrated Supply Fan speed setpoint control for paired air handler units with VFDs for SZVAV and Two Speed fan operation. These setpoints can be manipulated through the Symbio 700 user interface (including the Symbio Service and Installation app) or through a connected BAS if required.

Figure 24. Supply Fan speed setpoints



## Start-Up

Each setpoint operates as described below.

### Supply Fan Maximum Speed Setpoint (Range: 67-100%, Default: 100%)

The Supply Fan Maximum Speed Setpoint correlates to the maximum reference setting in the VFD (defaulted to 60Hz from the factory). With the Supply Fan Maximum Speed Setpoint at its default value of 100%, and parameter 6-15 in the VFD at its default value of 60Hz, the maximum VFD output will be 60Hz. If the user chooses to reduce the Supply Fan Maximum Speed Setpoint, it will effectively reduce the maximum VFD output from its configured value. See the example below:

#### Example:

Parameter 6-15 in the VFD = 60Hz

Supply Fan Maximum Speed Setpoint = 80%

Effective Supply Fan Maximum VFD Output = 80% x 60Hz = 48Hz

The VFD is preset from the factory to a default of 25 Hz for the lower limit and does not need to be reprogrammed.

### Supply Fan Minimum Speed Setpoint (Range: 0-100%, Default: 0%)

The Supply Fan Minimum Speed Setpoint correlates to the minimum reference setting in the VFD (25Hz from the factory). With the Supply Fan Minimum Speed Setpoint at its default value of 0%, and parameter 6-14 in the VFD at its default value of 25Hz, the minimum VFD output will be 25Hz. If the user chooses to increase the supply Fan Minimum Speed Setpoint, it will effectively increase the minimum VFD output from its configured value, up to the Effective Supply Fan Maximum VFD Output as determined by the Supply Fan Maximum Speed Setpoint. See the example below:

#### Example:

Parameter 6-14 in the VFD = 25Hz

Effective Supply Fan Maximum VFD Output (based on Supply Fan Maximum Speed Setpoint) = 60Hz

Supply Fan Minimum Speed Setpoint = 50%

Effective Supply Fan Minimum VFD Output =

(Effective Supply Fan Maximum VFD Output – VFD Parameter 6-14) x 50% + 25Hz = 42.5Hz

**Table 7. Maximum fan speed setpoints and effective supply fan maximum VFD output**

When VFD Parameter 6-15 = 60Hz			
Supply Fan Maximum Speed Setpoint	Effective Supply Fan Maximum VFD Output (Hz)	Supply Fan Maximum Speed Setpoint	Effective Supply Fan Maximum VFD Output (Hz)
100%	60	83%	49.8
99%	59.4	82%	49.2
98%	58.8	81%	48.6
97%	58.2	80%	48
96%	57.6	79%	47.4
95%	57	78%	46.8
94%	56.4	77%	46.2
93%	55.8	76%	45.6
92%	55.2	75%	45
91%	54.6	74%	44.4
90%	54	73%	43.8
89%	53.4	72%	43.2
88%	52.8	71%	42.6
87%	52.2	70%	42
86%	51.6	69%	41.4
85%	51	68%	40.8
84%	50.4	67%	40.2

Table 8. Minimum VFD speed ranges

Effective Supply Fan Maximum VFD Output (Hz)	Minimum Speed Range (60 Hz)		Effective Supply Fan Maximum VFD Output (Hz)	Minimum Speed Range (60 Hz)	
	Min	Max		Min	Max
60	25	60	49.8	25	49.8
59.4	25	59.4	49.2	25	49.2
58.8	25	58.8	48.6	25	48.6
58.2	25	58.2	48	25	48
57.6	25	57.6	47.4	25	47.4
57	25	57	46.8	25	46.8
56.4	25	56.4	46.2	25	46.2
55.8	25	55.8	45.6	25	45.6
55.2	25	55.2	45	25	45
54.6	25	54.6	44.4	25	44.4
54	25	54	43.8	25	43.8
53.4	25	53.4	43.2	25	43.2
52.8	25	52.8	42.6	25	42.6
52.2	25	52.2	42	25	42
51.6	25	51.6	41.4	25	41.4
51	25	51	40.8	25	40.8
50.4	25	50.4	40.2	25	40.2

## Symbio™ Condenser Configuration Management

The Symbio™ 700 controller in the Odyssey condenser must be properly configured to integrate appropriately with various air handler configurations. As shipped from the factory, the Symbio 700 in the condenser is configured to be integrated with a single-speed, constant volume air handler. If the air handler paired with the condenser is a two-speed or SZVAV configuration, the Symbio 700 configuration must be updated in the condenser. This configuration update can be made through either of the user interfaces on the Symbio 700, including the Mobile Service and Installation app.

## Two-Speed Air Handler Systems

To configure the Symbio 700 for two-speed air handler systems use the following steps and refer to through :

1. In the Mobile Service and Installation app, tap **Settings**.
2. Tap **Configuration**.
3. Tap **Edit**.
4. Tap **Indoor Fan Type**.
5. Select **Multi Speed**.
6. Tap **Apply**.
7. Verify that all settings are correct.

Figure 25. Edit configuration

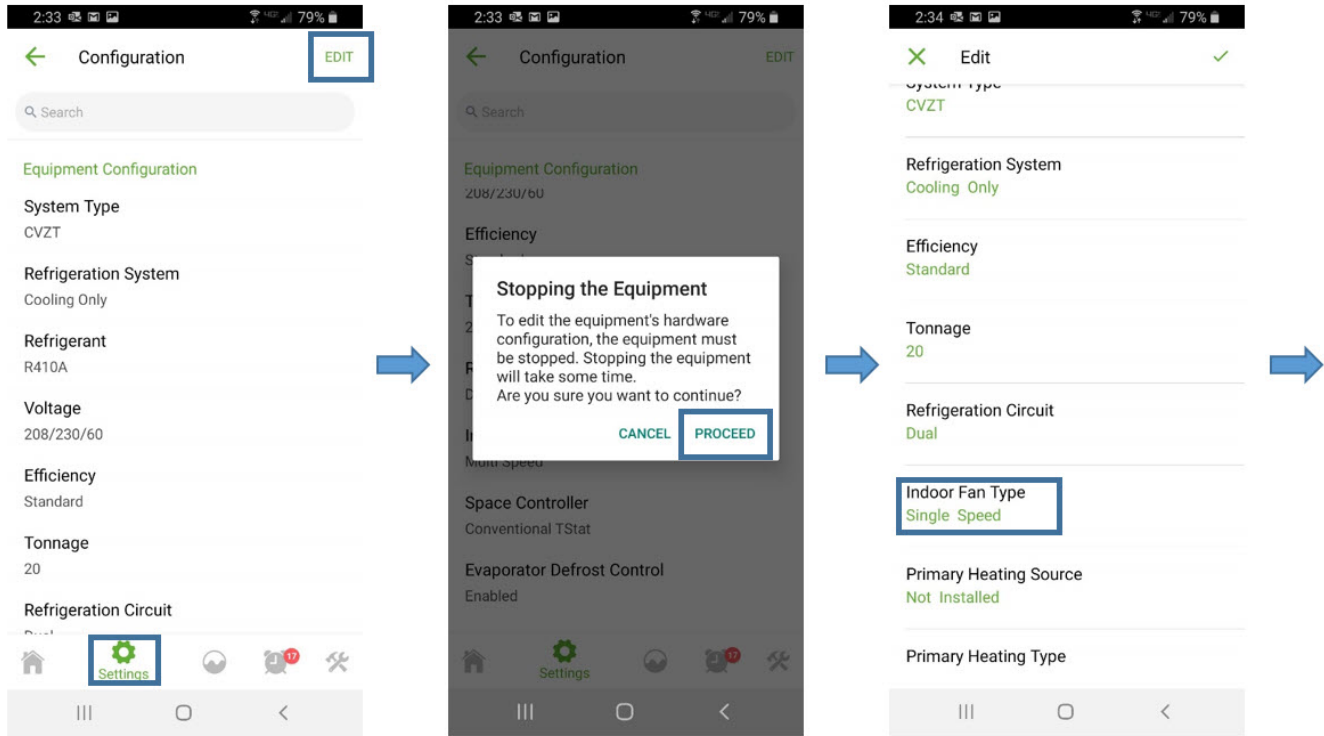


Figure 26. Select multi speed and apply changes

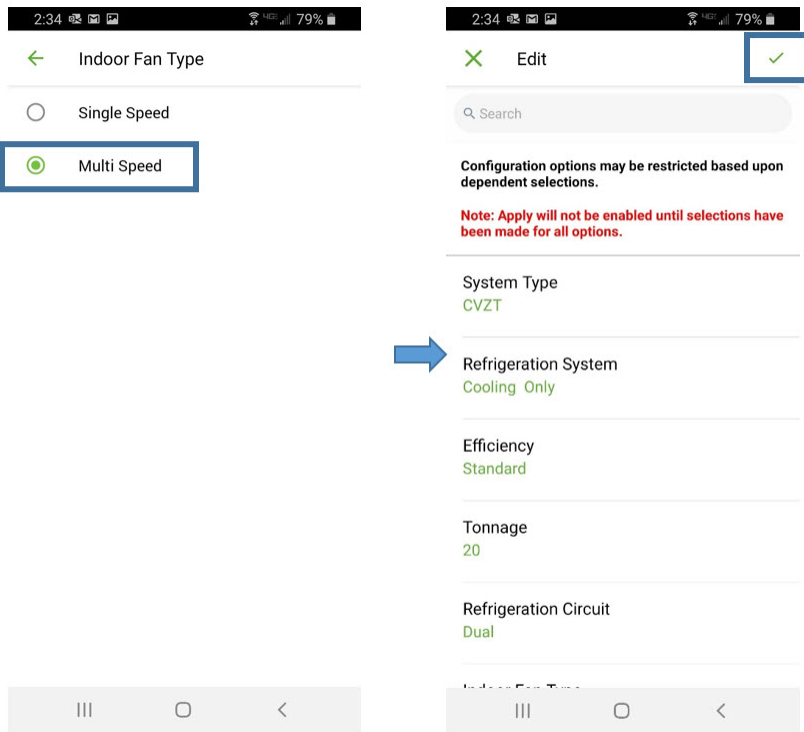
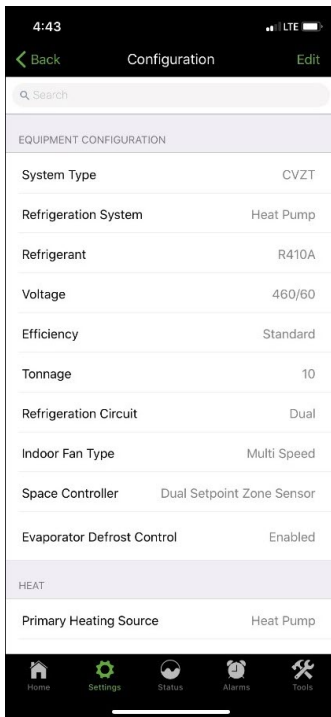




Figure 27. Verify changes

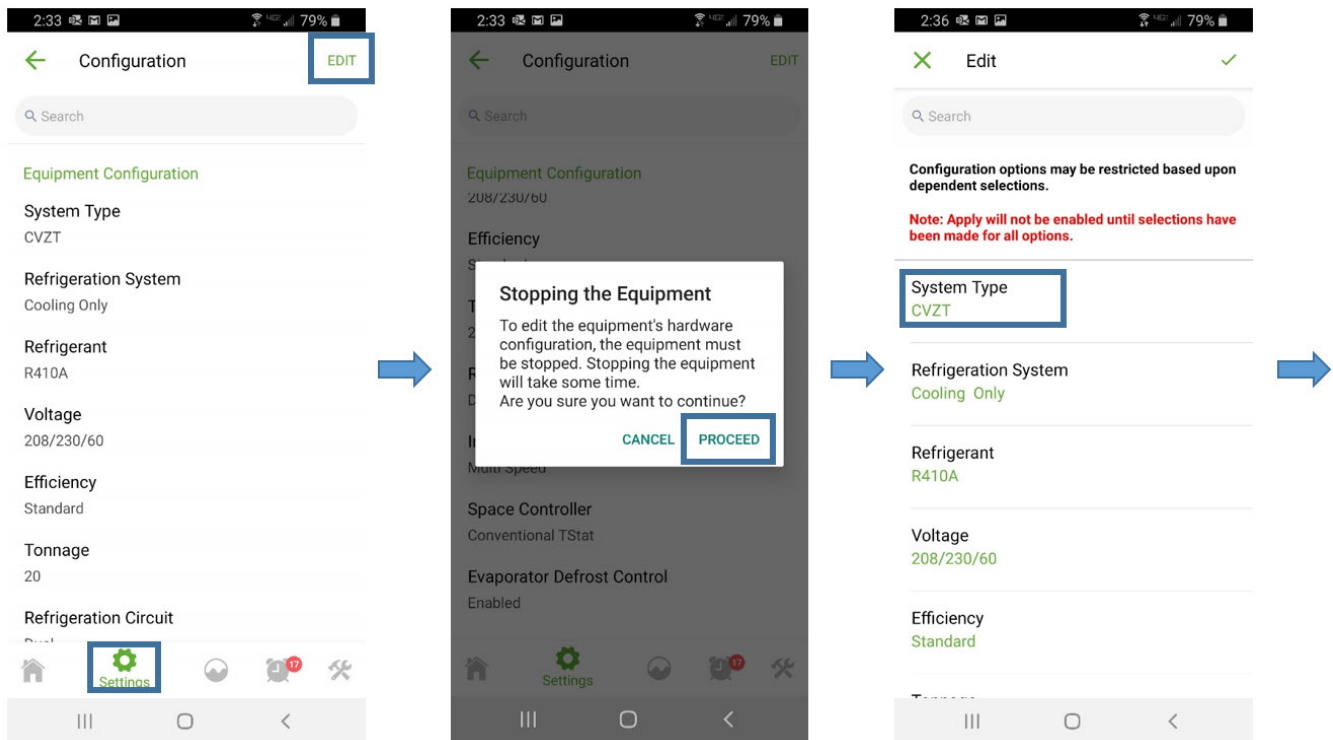


## SZVAV Air Handler Systems

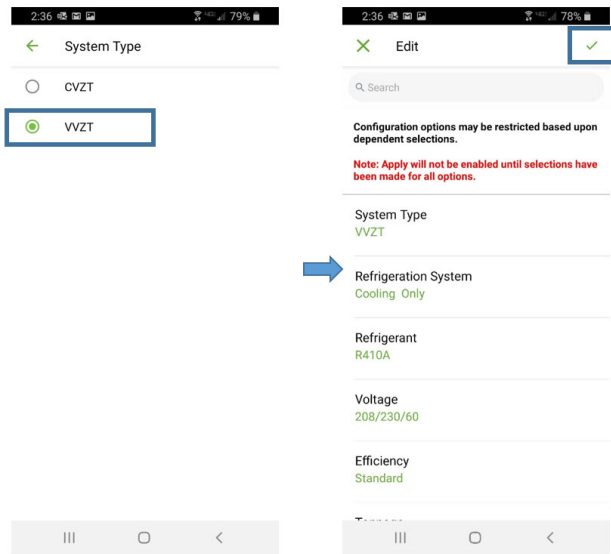
To configure the Symbio 700 for SZVAV air handler systems use the following steps and refer to through [Figure 30, p. 42](#):

1. In the Mobile Service and Installation app, tap **Settings**.
2. Tap **Configuration**.
3. Tap **Edit**.
4. Tap **System Type**.
5. Select **VVZT**.
6. Tap **Apply**.
7. Verify that all settings are correct.

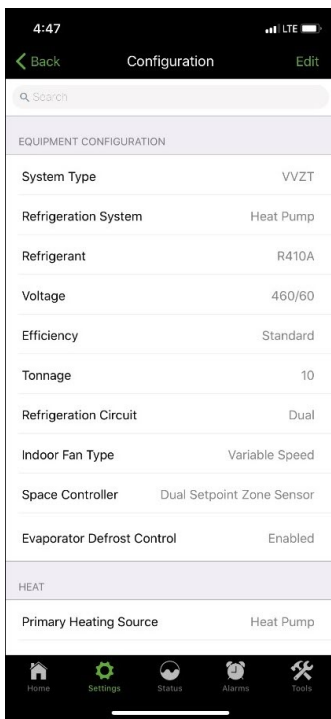
Figure 28. Edit configuration



**Figure 29. System type**



**Figure 30. Verify changes**



## Field Installed Electric Heat Kits

When Electric Heat Kits are installed into an Odyssey Air Handler paired with a Symbio 700 controlled condenser, configure the Symbio 700 controller so that the electric heat control sequences and output signals will be generated. Use the following steps and refer to through .

1. In the Mobile Service and Installation app, tap **Settings**.
2. Tap **Configuration**.
3. Tap **Edit**.
4. Tap **Primary Heating Source**.
5. Tap **Electric**.
6. Tap **Primary Heating Source**.
7. Select **1 or 2**.
8. Tap **Apply**.
9. Verify that all settings are correct.

Figure 31. Edit configuration

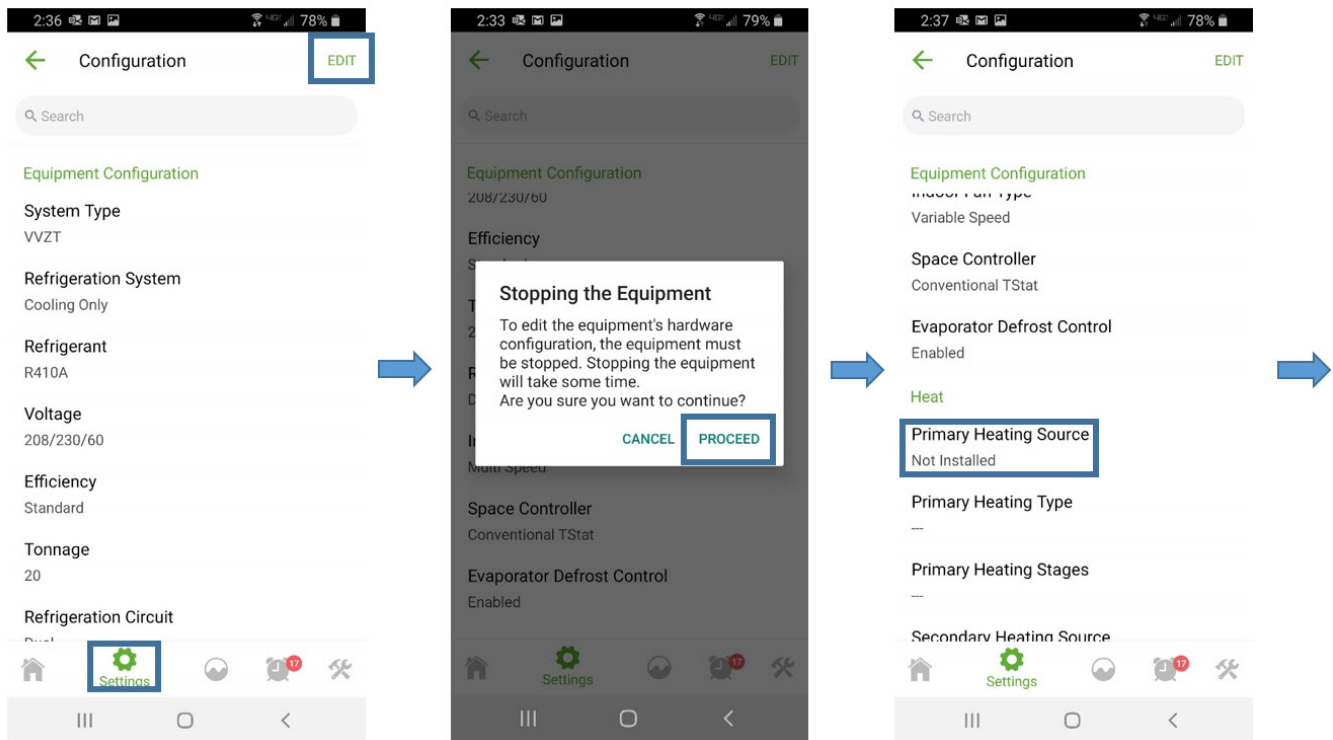


Figure 32. Select primary heating source

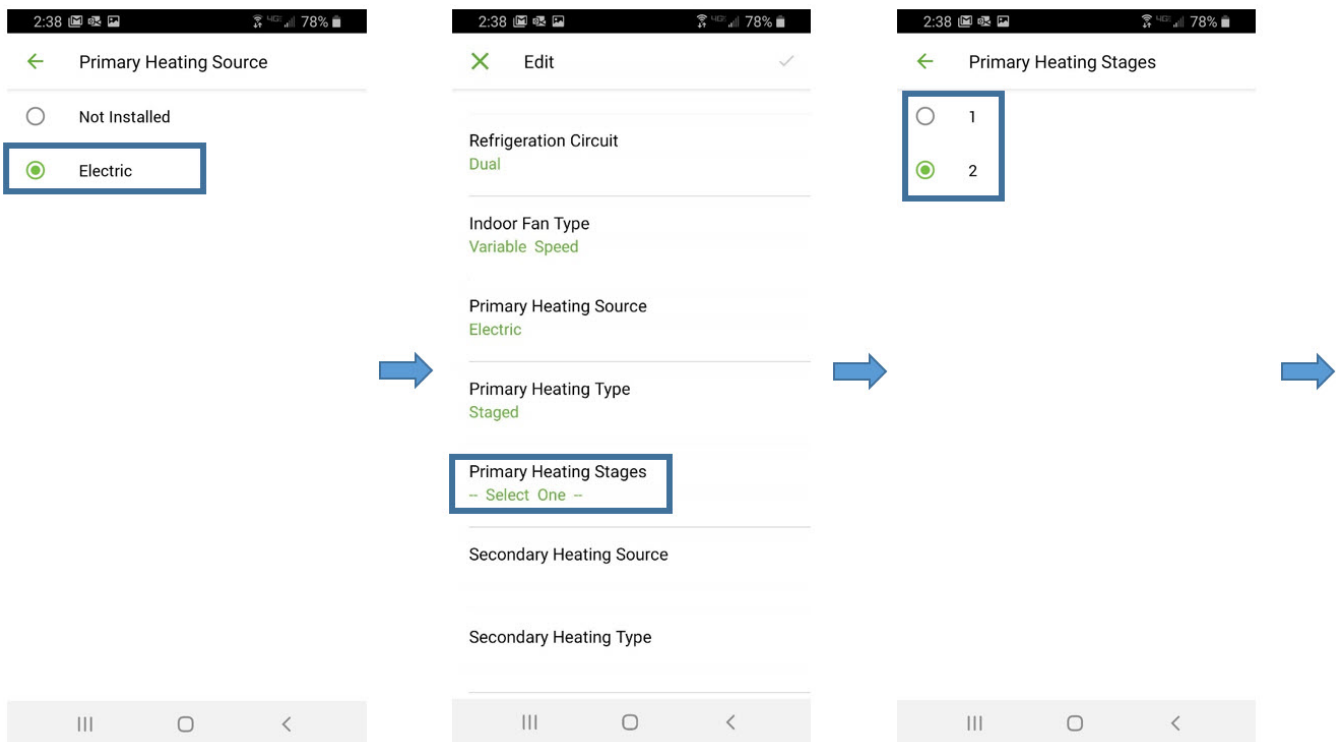


Figure 33. Apply edits

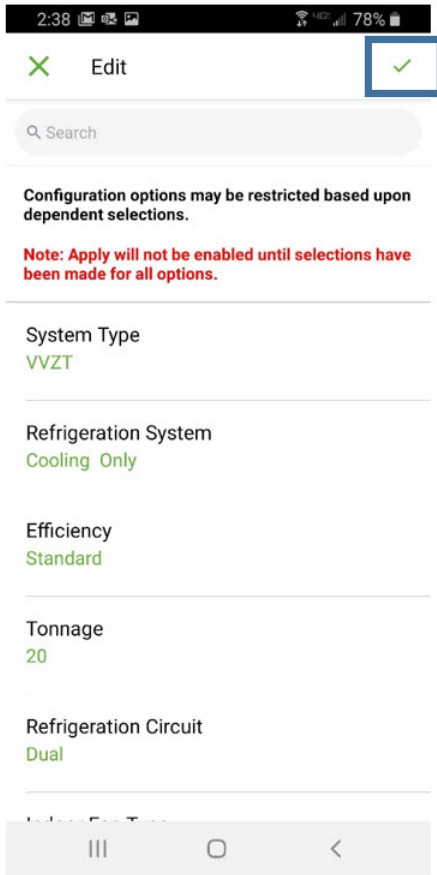
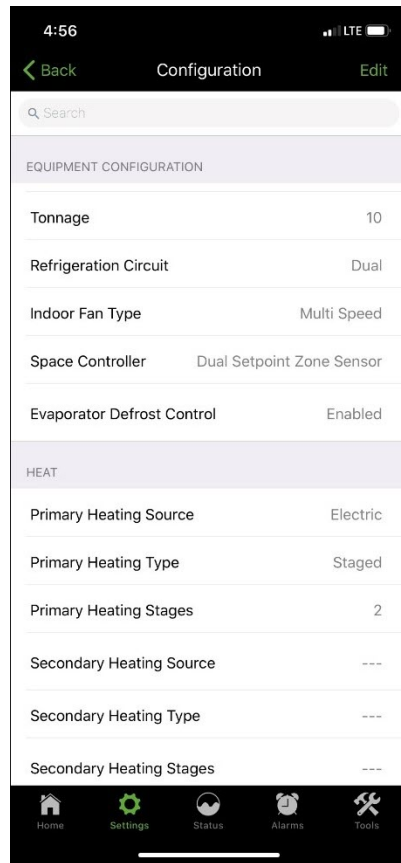


Figure 34. Verify changes



## Electric Heat as Secondary Heat (Heat Pump Systems)

To configure Electric Heat as Secondary Heat (Heat Pump Systems) use the following steps and refer to [Figure 35, p. 45](#) through [Figure 38, p. 47](#):

1. In the Mobile Service and Installation app, tap **Settings**.
2. Tap **Configuration**.
3. Tap **Edit**.
4. Tap **Secondary Heating Source**.
5. Tap **Electric**.
6. Tap **Secondary Heating Source**.
7. Select **1 or 2**.
8. Tap **Apply**.
9. Verify that all settings are correct.

**Figure 35. Edit configuration**

### Electric Heat as Secondary Heat (Heat Pump Systems)

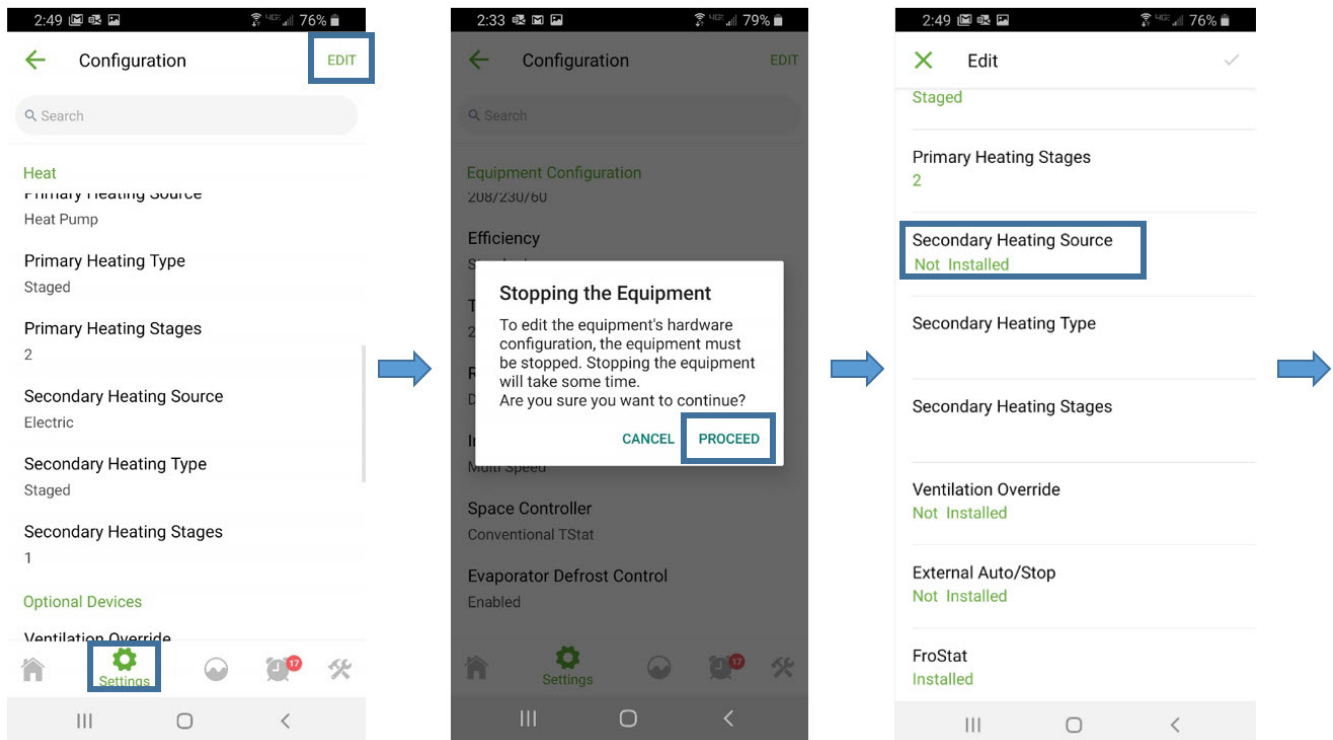


Figure 36. Select secondary heating source

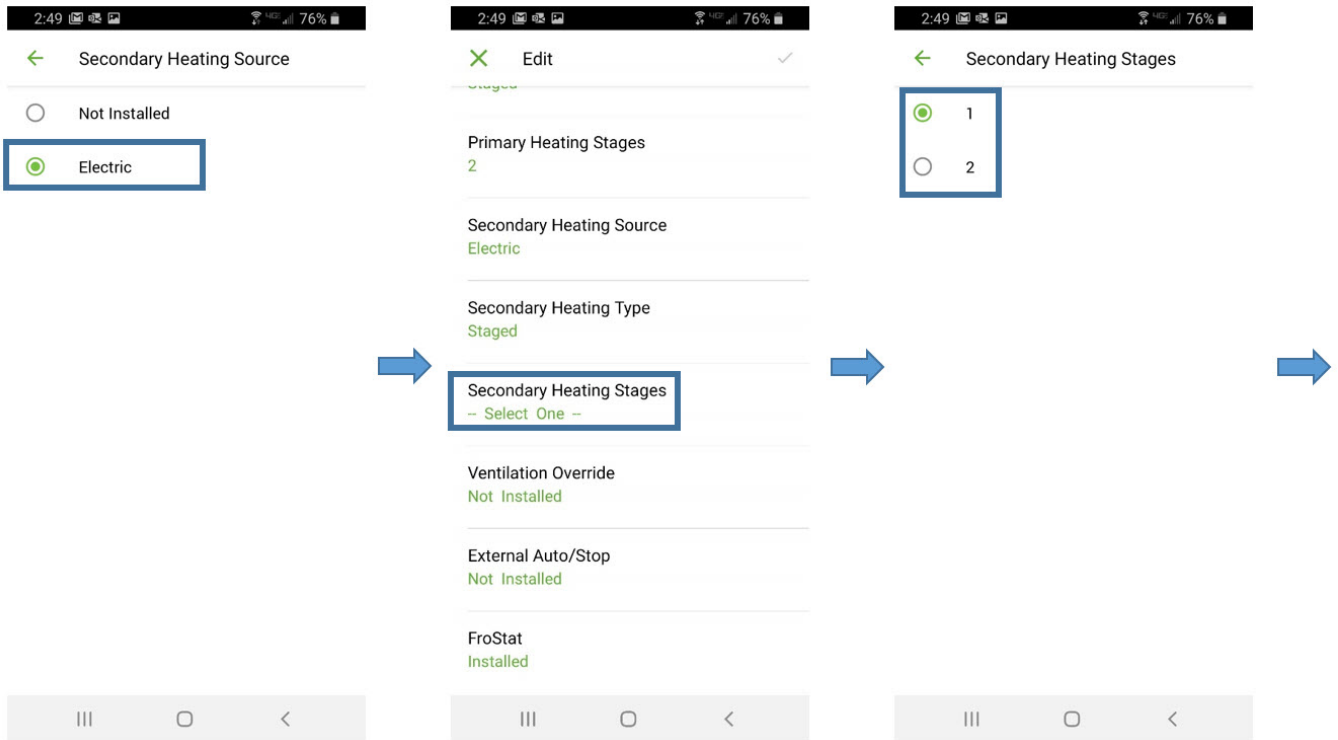


Figure 37. Apply changes

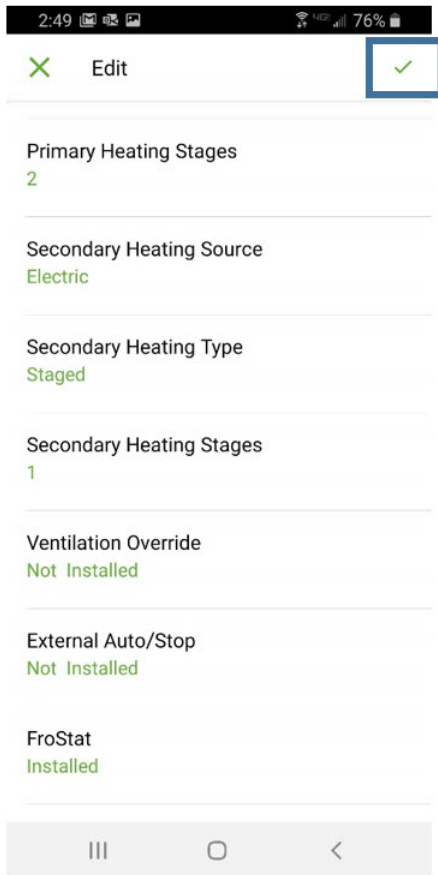
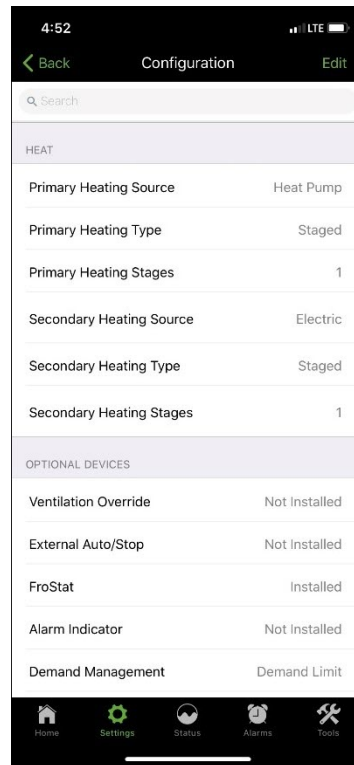


Figure 38. Verify changes



# Troubleshooting

## **⚠ WARNING**

### **Live Electrical Components!**

Failure to follow all electrical safety precautions when exposed to live electrical components could result in death or serious injury.

**When it is necessary to work with live electrical components, have a qualified licensed electrician or other individual who has been properly trained in handling live electrical components perform these tasks.**

Refer to the latest version of the Symbio™ 700 Controller with Odyssey Split Systems Applications Guide (ACC-APG001\*-EN) for details on troubleshooting the control system.

## **Leak Detection System**

**Note:** *The leak detection system referenced in this document refers specifically to a matched system containing only a TTA/TWE matched combination. If the installed system utilizes condensing units or AHUs other than listed above, it is the installers responsibility to ensure all necessary leak detection system hardware and communication is provided and installed for safe equipment installation and operation.*

The leak detection sensor offers a visual diagnostic status in the form of one green and one red LED to indicate diagnostic error state.

**Table 9. Leak detection system LED status**

State	Green LED	Red LED
Power up initiate	ON	OFF
Failure resulting in a 'Power-UP Self-Test' Fail-safe State	ON	ON
Warm Up Delay	ON	OFF
Normal Runtime Mode	Heartbeat	OFF
LFL Alarm	OFF	ON
Failure resulting in a Fail-safe State	OFF	Blinking
Near end of life	Blinking	Heartbeat
Warning	ON	Heartbeat



# Maintenance

Perform all of the indicated maintenance procedures at the intervals scheduled. This will prolong the life of the unit and reduce the possibility of costly equipment failure.

## Fan Belt Adjustment

**⚠ WARNING**

**Rotating Components!**

Failure to disconnect power before servicing could result in rotating components cutting and slashing technician which could result in death or serious injury.

Disconnect all electric power, including remote disconnects before servicing. Follow proper lockout/tagout procedures to ensure the power can not be inadvertently energized. Indoor fan can rotate unexpectedly if Air Handler has high voltage power and any Leak Detection Sensor is disconnected.

The fan belts must be inspected periodically to assure proper unit operation. Replacement is necessary if the belts appear frayed or worn.

When removing or installing the new belts, do not stretch them over the sheaves. Loosen the belts using the belt tension adjustment bolts on the motor mounting base.

Once the new belts are installed, using a Browning or Gates tension gauge (or equivalent), adjust the belt tension as follows:

1. To determine the appropriate belt deflection:
  - a. Measure the center-to-center shaft distance (in inches) between the fan and motor sheaves.
  - b. Divide the distance measured in [Step 1a](#) by 64; the resulting value represents the amount of belt deflection that corresponds to the proper belt tension.
2. Set the large O-ring on the belt tension gauge at the deflection value determined in [Step 1b](#).

3. Set the small O-ring at zero on the force scale of the gauge plunger.
4. Place the large end of the gauge at the center of the belt span; then depress the gauge plunger until the large O-ring is even with the top of the next belt or even with a straightedge placed across the fan and motor sheaves.
5. Remove the belt tension gauge. The small O-ring now indicates a number other than zero on the plunger force scale. This number represents the force (in pounds) required to give the needed deflection.
6. Compare the force scale reading ([Step 5](#)) with the appropriate force value listed in the Belt tension table. If the force reading is outside the range, readjust the belt tension.

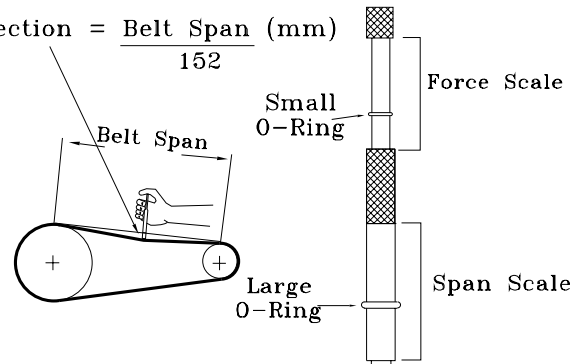
**Note:** Actual belt deflection force must not exceed the maximum force value shown in [Figure 39, p. 49](#).

Recheck the belt tension at least twice during the first 2 to 3 days of operation. Belt tension may decrease until the new belts are **run in**.

**Figure 39. Belt tension gauge**

$$\text{Deflection} = \frac{\text{Belt Span (in)}}{64}$$

$$\text{Deflection} = \frac{\text{Belt Span (mm)}}{152}$$



**Table 10. Belt tension measurement and deflection**

Belts Cross Section	Small Pitch Diameter Range	Deflection Force (Lbs)			
		Standard V-Belt		V-Belt with Molded Notches	
		Min.	Max.	Min.	Max.
A	3.0 - 3.6	3	4-1/2	3-7/8	5-1/2
	3.8 - 4.8	3-1/2	5	4-1/2	6-1/4
	5.0 - 7.0	4	5-1/2	5	6-7/8
B	3.4 - 4.2	4	5-1/2	5-3/4	8
	4.4 - 5.6	5-1/8	7-1/8	6-1/2	9-1/8
	5.8 - 8.8	6-3/8	8-3/4	7-3/8	10-1/8

## Monthly

The following warning complies with State of California law, Proposition 65.

### **⚠ WARNING**

#### **Hazardous Voltage w/Capacitors!**

Failure to disconnect power and discharge capacitors before servicing could result in death or serious injury.

Disconnect all electric power, including remote disconnects and discharge all motor start/run capacitors before servicing. Follow proper lockout/tagout procedures to ensure the power cannot be inadvertently energized. For variable frequency drives or other energy storing components provided by Trane or others, refer to the appropriate manufacturer's literature for allowable waiting periods for discharge of capacitors. Verify with a CAT III or IV voltmeter rated per NFPA 70E that all capacitors have discharged.

### **NOTICE**

#### **Operating Under Vacuum!**

Failure to follow these instructions will result in compressor failure.

Do not operate or apply power to the compressor while under a vacuum.

### **⚠ WARNING**

#### **Fiberglass Wool!**

Exposure to glass wool fibers without all necessary PPE equipment could result in cancer, respiratory, skin or eye irritation, which could result in death or serious injury. Disturbing the insulation in this product during installation, maintenance or repair will expose you to airborne particles of glass wool fibers and ceramic fibers known to the state of California to cause cancer through inhalation.

You **MUST** wear all necessary Personal Protective Equipment (PPE) including gloves, eye protection, a NIOSH approved dust/mist respirator, long sleeves and pants when working with products containing fiberglass wool.

#### **Precautionary Measures:**

- Avoid breathing fiberglass dust.
- Use a NIOSH approved dust/mist respirator.
- Avoid contact with the skin or eyes. Wear long-sleeved, loose-fitting clothing, gloves, and eye protection.
- Wash clothes separately from other clothing; rinse washer thoroughly.
- Operations such as sawing, blowing, tear-out, and spraying may generate fiber concentrations requiring additional respiratory protection. Use the appropriate NIOSH approved respirator.

#### **First Aid Measures:**

- **Eye Contact** - Flush eyes with water to remove dust. If symptoms persist, seek medical attention.
- **Skin Contact** - Wash affected areas gently with soap and warm water after handling.

Conduct the following maintenance inspections once per month:

- Inspect air filters and clean (or replace) if necessary.
- Check unit wiring to ensure all connections are tight and that the wiring insulation is intact.
- Check drain pans and condensate piping to insure they are free of obstacles.
- Manually rotate the indoor fan to ensure proper operation.
- Inspect the evaporator coils for dirt and debris. If the coils appear dirty, clean them.
- Observe indoor fan operation and correct any unusual or excessive vibration. Clean blower wheels as needed.

## Annually (Cooling Season)

The following maintenance procedures must be performed at the beginning of each cooling season to ensure efficient unit operation:

- Perform all of the monthly maintenance inspections.
- With the unit operating, check unit superheat and record the reading in the “[Maintenance Log](#),” p. 52.
- Remove any accumulation of dust and/or dirt from the unit casing.
- Remove corrosion from any surface and repaint. Check the gasket around the control panel door to ensure it fits correctly and is in good condition to prevent water leakage.
- Inspect the evaporator fan belt. If it is worn or frayed, replace it.
- Inspect the control panel wiring to ensure that all connections are tight and that the insulation is intact.

- Check refrigerant piping and fittings for leaks.
- Inspect the evaporator coils for dirt and debris. If the coils appear dirty, clean them.

## Coil Cleaning

Regular coil maintenance, including annual cleaning—enhances the unit's operating efficiency by minimizing:

- compressor head pressure and amperage draw
- water carryover
- fan brake horsepower
- static pressure losses

At least once each year — or more often if the unit is located in a **dirty** environment — clean the coil using the instructions outlined below. Be sure to follow these instructions as closely as possible to avoid damaging the coils.



# Wiring Diagram Matrix and Device Location

**Table 11. Wiring schematics and device location**

Part Number	Description	Applicability
<b>Wiring Schematics</b>		
1213-4779	Schematics; TWE - SZVAV/2-Speed Fan	All TWE Units with Digit 15 = "D"
1213-4777	Schematics; TWE - Constant Volume (3-Phase)	All TWE Units with Digit 8 = 3, 4, W and Digit 15 = "1"
1213-4778	Schematics; TWE - 2 Speed Fan	All TWE Units with Digit 15 = "C"
1213-4776	Schematics; TWE - Constant Volume (1-Phase)	All TWE Units with Digit 8 = 1
<b>Device Location</b>		
1213-4821	Device Location; TWE - SZVAV/2-Speed	All TWE Units with Digit 15 = "C" or "D"
1213-4822	Device Location; TWE - Constant Volume	All TWE Units with Digit 15 = "1"

# Warranty

## Central Air Conditioner

This warranty is extended by Trane to the original purchaser and to any succeeding owner of the real property to which the Air Conditioner is originally affixed, and applies to products purchased and retained for use within the U.S.A. and Canada. There is no warranty against corrosion, erosion or deterioration.

Warrantor warrants for a period of 12 months from initial start-up or 18 months from date of shipment, whichever is less, that the products covered by this warranty (1) are free from defects in material and manufacture, and (2) have the capacities and ratings set forth in catalogs and bulletins; provided, that no warranty is made against corrosion, erosion or deterioration. Warrantor's obligations and liabilities under this warranty are limited to furnishing, F.O. B. factory replacement parts (or equipment at the option of Warrantor) for all Warrantor's products not conforming to this warranty. Warrantor shall not be obligated to pay for the cost of lost refrigerant. No liability whatever shall attach to Warrantor until said products have been paid for and then said liability shall be limited to the purchase price of the equipment shown to be defective.

THE WARRANTY AND LIABILITY SET FORTH HEREIN ARE IN LIEU OF ALL OTHER WARRANTIES AND LIABILITIES, WHETHER IN CONTRACT OR IN NEGLIGENCE, EXPRESS OR IMPLIED, IN LAW OR IN FACT, INCLUDING IMPLIED WARRANTIES OF MERCHANTABILITY AND FITNESS FOR PARTICULAR USE, AND IN NO EVENT SHALL WARRANTOR BE LIABLE FOR ANY INCIDENTAL OR CONSEQUENTIAL DAMAGES.

Some states do not allow limitations on how long an implied warranty lasts or do not allow the exclusion or limitation of incidental or consequential damages, so the above limitation or exclusion may not apply to you. This warranty gives you specific legal rights, and you may also have other rights which vary from state to state.

Trane, 2701 Wilma Rudolph Blvd., Clarksville, TN 37040-1008 Attention: Manager, Product Service TW-338-0597

\*This warranty is for commercial usage of said equipment and not applicable when the equipment is used for a residential application. Commercial use is any application where the end purchaser uses the product for other than personal, family or household purposes.



Trane and American Standard create comfortable, energy efficient indoor environments for commercial and residential applications. For more information, please visit [trane.com](http://trane.com) or [americanstandardair.com](http://americanstandardair.com).

Trane and American Standard have a policy of continuous product and product data improvement and reserve the right to change design and specifications without notice. We are committed to using environmentally conscious print practices.

SS-SVX016C-EN 28 Feb 2025  
Supersedes SS-SVX016B-EN (January 2025)

©2025