



# Installation, Operation, and Maintenance

# **Precedent™ Packaged Rooftop**

# **Units**

Cooling and Gas/Electric  
Ultra High Efficiency  
3 to 25 Tons — 60 Hz



**Model Numbers:**

TZK036\* - TZK300\*

YZK036\* - YZK300\*

## **⚠ SAFETY WARNING**

Only qualified personnel should install and service the equipment. The installation, starting up, and servicing of heating, ventilating, and air-conditioning equipment can be hazardous and requires specific knowledge and training. Improperly installed, adjusted or altered equipment by an unqualified person could result in death or serious injury. When working on the equipment, observe all precautions in the literature and on the tags, stickers, and labels that are attached to the equipment.



# Introduction

Read this manual thoroughly before operating or servicing this unit.

## Warnings, Cautions, and Notices

Safety advisories appear throughout this manual as required. Your personal safety and the proper operation of this machine depend upon the strict observance of these precautions.

The three types of advisories are defined as follows:



Indicates a potentially hazardous situation which, if not avoided, could result in death or serious injury.



Indicates a potentially hazardous situation which, if not avoided, could result in minor or moderate injury. It could also be used to alert against unsafe practices.



Indicates a situation that could result in equipment or property-damage only accidents.

## Important Environmental Concerns

Scientific research has shown that certain man-made chemicals can affect the earth's naturally occurring stratospheric ozone layer when released to the atmosphere. In particular, several of the identified chemicals that may affect the ozone layer are refrigerants that contain Chlorine, Fluorine and Carbon (CFCs) and those containing Hydrogen, Chlorine, Fluorine and Carbon (HCFCs). Not all refrigerants containing these compounds have the same potential impact to the environment. Trane advocates the responsible handling of all refrigerants.

## Important Responsible Refrigerant Practices

Trane believes that responsible refrigerant practices are important to the environment, our customers, and the air conditioning industry. All technicians who handle refrigerants must be certified according to local rules. For the USA, the Federal Clean Air Act (Section 608) sets forth the requirements for handling, reclaiming, recovering and recycling of certain refrigerants and the equipment that is used in these service procedures. In addition, some states or municipalities may have additional requirements that must also be adhered to for responsible management of refrigerants. Know the applicable laws and follow them.

### ⚠ WARNING

#### Proper Field Wiring and Grounding Required!

Failure to follow code could result in death or serious injury.

All field wiring **MUST** be performed by qualified personnel. Improperly installed and grounded field wiring poses **FIRE** and **ELECTROCUTION** hazards. To avoid these hazards, you **MUST** follow requirements for field wiring installation and grounding as described in **NEC** and your local/state/national electrical codes.

### ⚠ WARNING

#### Personal Protective Equipment (PPE) Required!

Failure to wear proper PPE for the job being undertaken could result in death or serious injury.

Technicians, in order to protect themselves from potential electrical, mechanical, and chemical hazards, **MUST** follow precautions in this manual and on the tags, stickers, and labels, as well as the instructions below:

- **Before installing/servicing this unit, technicians MUST put on all PPE required for the work being undertaken (Examples; cut resistant gloves/sleeves, butyl gloves, safety glasses, hard hat/bump cap, fall protection, electrical PPE and arc flash clothing). ALWAYS refer to appropriate Safety Data Sheets (SDS) and OSHA guidelines for proper PPE.**
- **When working with or around hazardous chemicals, ALWAYS refer to the appropriate SDS and OSHA/GHS (Global Harmonized System of Classification and Labelling of Chemicals) guidelines for information on allowable personal exposure levels, proper respiratory protection and handling instructions.**
- **If there is a risk of energized electrical contact, arc, or flash, technicians MUST put on all PPE in accordance with OSHA, NFPA 70E, or other country-specific requirements for arc flash protection, PRIOR to servicing the unit. NEVER PERFORM ANY SWITCHING, DISCONNECTING, OR VOLTAGE TESTING WITHOUT PROPER ELECTRICAL PPE AND ARC FLASH CLOTHING. ENSURE ELECTRICAL METERS AND EQUIPMENT ARE PROPERLY RATED FOR INTENDED VOLTAGE.**

**⚠ WARNING****Follow EHS Policies!**

Failure to follow instructions below could result in death or serious injury.

- All Trane personnel must follow the company's Environmental, Health and Safety (EHS) policies when performing work such as hot work, electrical, fall protection, lockout/tagout, refrigerant handling, etc. Where local regulations are more stringent than these policies, those regulations supersede these policies.
- Non-Trane personnel should always follow local regulations.

**⚠ WARNING****R-454B Flammable A2L Refrigerant!**

Failure to use proper equipment or components as described below could result in equipment failure, and possibly fire, which could result in death, serious injury, or equipment damage.

The equipment described in this manual uses R-454B refrigerant which is flammable (A2L). Use ONLY R-454B rated service equipment and components. For specific handling concerns with R-454B, contact your local representative.

## Copyright

This document and the information in it are the property of Trane, and may not be used or reproduced in whole or in part without written permission. Trane reserves the right to revise this publication at any time, and to make changes to its content without obligation to notify any person of such revision or change.

## Trademarks

All trademarks referenced in this document are the trademarks of their respective owners.

## Product Safety Information

This appliance is not intended for use by persons (including children) with reduced physical, sensory or mental capabilities, or lack of experience and knowledge, unless they have been given supervision or instruction concerning use of the appliance by a person responsible for their safety. Children should be supervised to ensure that they do not play with the appliance.

Maximum altitude of use 3000 meters.

This appliance incorporates an earth connection for functional purposes only.



# Table of Contents

Model Number Description .....	7	High Temperature Sensor (FIAHTST001*) .....	12
General Information .....	9	Digital Display Zone Sensor (BAYSENS135*) .....	13
Unit Inspection .....	9	Touch Screen Programmable Zone Sensor (BAYSENS800) .....	13
Exterior Inspection .....	9	Evaporator Frost Control .....	13
Inspection for Concealed Damage .....	9	Discharge Line Temp Switch (DLT) .....	13
Unit Storage .....	9	Smoke Detector Sensor (Optional) .....	13
Unit Description .....	9	Phase Monitor .....	13
Door Handles .....	9	Pre-Installation .....	14
Unit Nameplate .....	9	Dimensions and Weights .....	15
Compressor Nameplate .....	10	Cabinet Size .....	15
Microchannel Coil Barcode ID .....	10	Dimensional Data .....	15
LonTalk Communication Interface (Optional) .....	10	Clearances .....	29
BACnet and Modbus Communications Interface (Optional) .....	10	Weights .....	30
System Input Devices and Functions .....	10	Lifting and Rigging .....	32
Supply Fan Failure .....	10	A2L Information .....	33
Clogged Filter Switch (Optional) .....	10	A2L Work Procedures .....	33
Condensate Drain Pan Overflow Switch .....	10	Servicing .....	33
Compressor/Inverter Protection .....	10	Leak Detection .....	34
Low Pressure Control (LPC) .....	11	Refrigerant Removal and Evacuation .....	34
High Pressure Control (HPC) .....	11	Refrigerant Charging .....	34
Air Filters .....	11	Decommissioning .....	35
Zone Sensors .....	11	A2L Application Considerations .....	35
Manual Changeover (BAYSENS106*) .....	11	Ignition Sources in Ductwork .....	35
Manual/Automatic Changeover (BAYSENS108*) .....	11	Ignition Sources in Unit .....	35
Wall Mounted Relative Humidity Sensor (BAYSENS036*) .....	12	Minimum Room Area Limits (Refrigerant charge greater than 3.91 lb per circuit) .....	36
Duct Mounted Relative Humidity Sensor (BAYSENS037*) .....	12	Leak Detection System(Refrigerant charge greater than 3.91 lb per circuit) .....	37
Integrated Comfort System (BAYSENS073*) .....	12	Installation .....	38
Integrated Comfort System (BAYSENS074*) .....	12	Horizontal Units .....	38
Remote Zone Sensor (BAYSENS016*) .....	12	Ductwork .....	38
Remote Zone Sensor (BAYSENS077*) .....	12	Roof Curb .....	40
Thermostat .....	12	Downflow .....	40
		Rigging .....	41



General Unit Requirements . . . . .	42	Control Power Transformer . . . . .	56
Factory Installed Economizer . . . . .	42	Controls using 24 Vac . . . . .	56
External Vent Hood Installation . . . . .	42	Controls using DC Analog Input/ Outputs (Standard Low Voltage Multi conductor Wire) . . . . .	57
Horizontal Discharge Conversion (B.0 and C.0 Cabinet Units) . . . . .	43	DC Conductors . . . . .	58
Horizontal Discharge Conversion (D.0 and D.1 Cabinet Units) . . . . .	44	Space Temperature Averaging . . . . .	58
DAS Horizontal Conversions (Select Modulating Gas Heat Units) . . . . .	44	Pre-Start . . . . .	61
Conversion to Horizontal — 6 Ton Low Modulating Gas heat YZK072***BL . . . . .	44	Voltage Imbalance . . . . .	61
Conversion to Horizontal — 6 Ton High Modulating Gas Heat YZK072***BH and 7.5 to 12 Ton All Modulating Gas heat YZK(090-150)***B(L,H) . . . . .	45	Electrical Phasing (Three Phase Motors) . . . . .	62
Conversion to Horizontal — B Cabinet 3 to 5 Ton Ultra High Efficiency . . . . .	46	Compressor Crankcase Heaters . . . . .	62
TCO1 Instructions . . . . .	47	Symbio Controls . . . . .	63
Return Air Smoke Detector . . . . .	47	Unit Start-Up . . . . .	64
B.0, and C.0 Cabinet Units . . . . .	47	Sequence of Operation . . . . .	64
D.0 and D.1 Cabinet Units . . . . .	48	Ignition Module – Two-stage . . . . .	64
Air-Fi® Wireless Communication Interface . . . . .	49	Ignition Module – Modulating Gas . . . . .	64
Main Electrical Power Requirements . . . . .	50	Call for Heat . . . . .	64
Electric Heat Requirements . . . . .	50	Ignition and Operational Failures During a Call for Heat . . . . .	65
Low Voltage Wiring . . . . .	50	Recovery from Lockout (E Code) . . . . .	65
Through-the-Base Gas Installation . . . . .	50	Return Air Smoke Detector . . . . .	66
Requirements of Gas Heat . . . . .	52	Compressor Start-Up . . . . .	66
Modulating Gas Heat . . . . .	52	Hot Gas Reheat . . . . .	67
Condensate Drain Configuration . . . . .	53	Final System Setup . . . . .	67
Drain Pan Removal (Units with Condensate Overflow Switch Option) . . . . .	54	Maintenance . . . . .	68
Furnace Condensate Drain . . . . .	54	Annual Maintenance . . . . .	68
Filter Installation . . . . .	54	Monthly Maintenance . . . . .	68
Outdoor Motor Controllers . . . . .	54	Filters . . . . .	68
Field Installed Power Wiring . . . . .	55	Return Air Smoke Detector . . . . .	68
Main Unit Power . . . . .	55	Condensate Overflow Switch . . . . .	68
Standard Wiring . . . . .	55	Cooling Season . . . . .	68
Optional TBUE Wiring (Through-the- Base Electrical Option) . . . . .	55	Heating Season . . . . .	68
Field-Installed Control Wiring . . . . .	56	Coil Cleaning . . . . .	69
		Microchannel (MCHE) Coils . . . . .	69
		Final Process . . . . .	70
		Troubleshooting . . . . .	71
		Wiring Diagrams . . . . .	72
		Piping Diagrams . . . . .	75



## Table of Contents

---

Gas Heat Operation and Maintenance . . . . .	83	Turning Off Gas to Unit . . . . .	85
Gas Heat Unit General Information . . . . .	83	Heating System Maintenance . . . . .	85
Heating System . . . . .	83	Limited Warranty . . . . .	86
Heating Cycle Operation . . . . .	83	Electric Air Conditioner . . . . .	86
Safety Controls . . . . .	84	Precedent (Models TZK, YZK) . . . . .	86
Heating System Start-Up . . . . .	84		
Heating System Shutdown . . . . .	84		



# Model Number Description

## Digit 1 — Unit Function

T = DX Cooling  
Y = DX Cooling, Gas Heat

## Digit 2 — Cooling Efficiency

Z = Ultra High Efficiency

## Digit 3 — Refrigerant

K = R-454B

## Digit 4,5,6 — Nominal Gross Cooling Capacity (MBh)

036 = 3 Ton  
048 = 4 Ton  
060 = 5 Ton  
072 = 6 Ton  
090 = 7.5 Ton  
102 = 8.5 Ton  
120 = 10 Ton  
150 = 12.5 Ton  
180 = 15 Ton  
210 = 17.5 Ton  
240 = 20 Ton  
300 = 25 Ton

## Digit 7 — Design Sequence

## Digit 8 — Voltage Selection

3 = 208–230/60/3  
4 = 460/60/3  
W = 575/60/3

## Digit 9 — Unit Controls

S = Symbio™ 700

## Digit 10 — Heat Type

0 = Base Model  
A = Stainless Steel Gas Heat  
B = Modulating Gas Heat

## Digit 11 — Heating Capacity

0 = No Heat  
B = 6 kW Electric Heat  
C = 9 kW Electric Heat  
E = 12 kW Electric Heat  
G = 18 kW Electric Heat  
J = 23 kW Electric Heat  
K = 27 kW Electric Heat  
N = 36 kW Electric Heat  
P = 54 kW Electric Heat  
R = 72 kW Electric Heat  
L = Low Gas Heat  
M = Medium Gas Heat  
H = High Gas Heat

## Digit 12, 13 — Service Sequence

\*\* = Factory Assigned

## Digit 14 — Fresh Air Selection

0 = No Fresh Air  
A = Manual Outside Air Damper 0–50%  
B = Motorized Outside Air Damper 0–50%  
C = Economizer, Dry Bulb 0–100% without Barometric Relief  
D = Economizer, Dry Bulb 0–100% with Barometric Relief  
E = Economizer, Reference Enthalpy 0–100% without Barometric Relief  
F = Economizer, Reference Enthalpy 0–100% with Barometric Relief  
G = Economizer, Comparative Enthalpy 0–100% without Barometric Relief  
H = Economizer, Comparative Enthalpy 0–100% with Barometric Relief  
K = Downflow Low Leak Economizer, Dry Bulb with Barometric Relief  
M = Downflow Low Leak Economizer, Reference Enthalpy with Barometric Relief  
P = Downflow Low Leak Economizer, Comparative Enthalpy with Barometric Relief  
R = Downflow Low Leak Economizer, Differential Dry Bulb with Barometric Relief

## Digit 15 — Supply Fan/Drive Type/Motor

2 = Single Zone Variable Air Volume with Standard Motor  
3 = Single Zone Variable Air Volume with Oversized/High Static Motor  
4 = Multiple Zone Variable Air Volume with Standard Motor  
5 = Multiple Zone Variable Air Volume with Oversized/High Static Motor

## Digit 16 — Hinged Access/Filters

A = Hinged Access Panels/Standard Filters  
C = Hinged Access Panels/2 inch MERV 8 Filters  
E = Hinged Access Panels/2 inch MERV 13 Filters

## Digit 17 — Condenser Coil Protection

0 = Standard Coil  
1 = Condenser with CompleteCoat™

## Digit 18 — Through-the-Base Provisions

0 = No Through-the-Base Provisions  
A = Through-the-Base Electric  
B = Through-the-Base Gas Piping  
C = Through-the-Base Electric and Gas Piping

## Digit 19 — Disconnect/Circuit Breaker (three-phase only)

0 = No Disconnect/No Circuit Breaker  
1 = Unit Mounted/Non-Fused Disconnect  
2 = Unit Mounted Circuit Breaker

## Digit 20 — Convenience Outlet

0 = No Convenience Outlet  
A = Unpowered 20A Convenience Outlet  
B = Powered 15A Convenience Outlet

## Digit 21 — Communications Options

0 = No Communications Interface  
1 = Advanced Controller with BACnet® Communications Interface  
2 = Advanced Controller with LonTalk® Communications Interface  
3 = Advanced Controller with Air-Fi® Communications Interface

## Digit 22 — Refrigeration System Option

0 = Standard Refrigeration System  
A = Humidity Control Option

## Digit 23 — Controls Expansion Module

0 = None  
1 = XM-30 Expansion Module  
2 = XM-32 Expansion Module  
3 = XM-30 and XM-32 Expansion Module  
4 = XM-30 Expansion Module (Qty 2)  
5 = XM-32 Expansion Module (Qty 2)

## Digit 24 — Smoke Detector

0 = No Smoke Detector  
A = Return Air Smoke Detector  
B = Supply Air Smoke Detector  
C = Supply and Return Air Smoke Detectors



## Model Number Description

---

### Digit 25 — System Monitoring Controls

- 0 = No Monitoring Control
- 1 = Clogged Filter Switch
- 2 = Condensate Overflow Switch
- 3 = Discharge Air Sensing Tube
- 4 = Clogged Filter Switch and Condensate Overflow Switch

### Digit 26 — Not Used

### Digit 27 — Unit Hardware Enhancements

- 0 = No Enhancements
- 1 = Stainless Steel Drain Pan

### Digit 28 — Short Circuit Current Rating

- 0 = Standard (5k) SCCR Marking
- A = Tier 2 (65K) SCCR Marking

### Digit 29 — Low Ambient

- 0 = None
- A = Low Ambient Cooling to 0°F



# General Information

## Unit Inspection

To protect against loss due to damage incurred in transit, perform inspection immediately upon receipt of the unit. Check carefully for shipping damage. If any damage is found, report it immediately, and file a claim against the transportation company.

## Exterior Inspection

If the job site inspection reveals damage or material shortages, file a claim with the carrier immediately. Specify the type and extent of the damage on the bill of lading before signing. Notify the appropriate sales representative.

**Important:** Do not proceed with installation of a damaged unit without sales representative approval.

- Inspect the complete exterior for signs of shipping damages to unit or packing material.
- Verify that the nameplate data matches the sales order and bill of lading.
- Verify that the unit is properly equipped and there are no material shortages.
- Verify the power supply complies with the unit nameplate specifications.

## Inspection for Concealed Damage

Inspect the components for concealed damage as soon as possible after delivery and before it is stored.

If concealed damage is discovered:

- Notify the carrier's terminal of the damage immediately by phone and by mail.
- Concealed damage must be reported within 15 days.
- Request an immediate, joint inspection of the damage with the carrier and consignee.
- Stop unpacking the unit.
- Do not remove damaged material from receiving location.
- Take photos of the damage, if possible.
- The owner must provide reasonable evidence that the damage did not occur after delivery.

## Unit Storage

Take precautions to prevent condensate from forming inside the unit's electrical compartments and motors if:

- The unit is stored before it is installed; or,
- The unit is set on the roof curb, and temporary heat is provided in the building. Isolate all side panel service entrances and base pan openings (e.g., conduit holes, S/A and R/ A openings, and flue openings) from the ambient air until the unit is ready for start-up.

**Note:** Do not use the unit heater for temporary heat without first completing the start-up.

The manufacturer will not assume any responsibility for equipment damage resulting from condensate accumulation on the unit electrical and/or mechanical components.

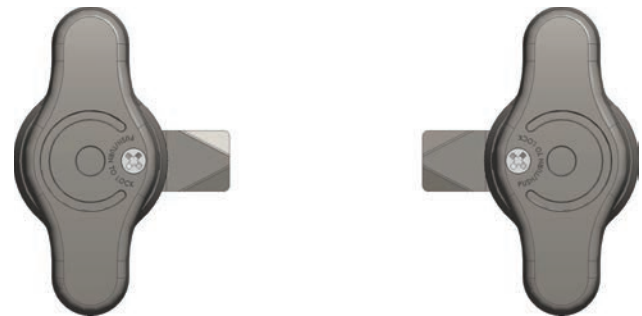
## Unit Description

- Before shipment, each unit is leak tested, dehydrated, charged with refrigerant and compressor oil, and run tested for proper control operation.
- The condenser coils are all aluminum microchannel.
- Direct-drive, vertical discharge condenser fans are provided with built-in thermal overload protection.
- All units come with standard Symbio™ 700 control system with advanced diagnostics.

## Door Handles

Door handles rotate 180 degrees for use on either left- or right-handed doors. Handles will be in the vertical position when latched, as shown in the following figure. After each use, return door handles to the latched and locked position..

Figure 1. Door handles



To lock:

1. Verify handle is in the vertical (latched) position.
2. Using a Phillips head screwdriver, push and rotate the handle screw clockwise 1/4 turn.

To unlock:

Use a Phillips head screwdriver to push and rotate handle screw counterclockwise 1/4 turn.

## Unit Nameplate

The unit nameplate is located on the unit corner support next to the filter access panel. It includes the unit model number, serial number, electrical characteristics, refrigerant charge, and other pertinent unit data.



## Compressor Nameplate

The nameplate for the compressors are located on the side of the compressor.

## Microchannel Coil Barcode ID

Barcode decal used for coil part identification can be located on the header and top of coil's inlet/outlet side.

## LonTalk Communication Interface (Optional)

The Symbio™ controllers supports communication with LonTalk® open protocol applications. An advanced license is required to enable this feature. The LonTalk module is available factory supplied or as a field-installed kit. For more details, refer to *LonTalk® Integration to Precedent™ Packaged Rooftop Air-Conditioners and Axiom™ Water Source Heat Pumps with Symbio™ 700 Controls Integration Guide* (BAS-SVP063\*-EN).

## BACnet and Modbus Communications Interface (Optional)

The Symbio™ controller provides integrated communication with BACnet® or Modbus™ open protocol applications. An advanced license is required to enable this feature. When enabled, the following selections are available: BACnet MS/TP, BACnet IP, BACnet Zigbee® (Air-Fi®), Modbus TCP, or Modbus RTU. For more details, refer to *BACnet® and Modbus™ Integration Precedent™ Packaged Rooftop Air Conditioners and Axiom™ Water Source Heat Pumps with Symbio™ 700 Controls Integration Guide* (BAS-SVP062\*-EN).

## System Input Devices and Functions

The Symbio™ 700 controller requires a zone sensor or thermostat input to operate the unit in a CVZT or VVZT configuration.

**Note:** Use of a conventional thermostat will reduce unit functionality.

The number of available modes depends on the type of zone sensor or thermostat selected. Descriptions of the basic input devices used with the Symbio 700 network are provided to acquaint the operator with the various modules. Refer to the unit schematic for specific module connections. The following controls are available from the factory for field installation.

### Supply Fan Failure

Supply fan proving is active when the supply fan is commanded **ON**. The supply fan speed must be greater than 30 rpm for 40 continuous seconds. If the supply fan

speed falls below 30 rpm, supply fan failure diagnostic is generated, and operation is stopped.

### Clogged Filter Switch (Optional)

The unit mounted clogged filter switch monitors the pressure differential across the return air filters. It is mounted in the filter section and is connected to the Fresh Air Options Module. A diagnostic signal is sent to the controller if the pressure differential across the filters is at least 0.5 inch w.c. The contacts will automatically open when the pressure differential across the filters decreases to approximately 0.4 inch w.c. The clogged filter output is energized when the supply fan is operating and the clogged filter switch has been closed for at least 2 minutes. The system will continue to operate regardless of the status of the filter switch. For further details, see *Clogged Filter Switch Installation Instructions* (ACC-SVN238\*-EN).

**Note:** On units equipped with factory installed MERV 13 filters, a clogged filter switch with different pressure settings will be installed. This switch will close when the differential pressure is approximately 0.8 inch w.c. and open when the differential falls to 0.7 inch w.c.

### Condensate Drain Pan Overflow Switch

A condensate overflow condition will be detected by a condensate overflow float switch. When the condensate level reaches the trip point, the diagnostic condition will be detected. When the condensate overflow input **closes** for six continuous seconds, the following actions will be taken by the Symbio™ 700 controls:

- An auto-reset diagnostic will be generated. All compressor or heating operations will be disabled immediately. Condenser fans and compressors will be de-energized. Supply fan operation will be shutdown.
- Once the overflow condition has been cleared and the input is **open** for 6 seconds, all diagnostic conditions will be cleared. The unit will return to normal operation. Auto-reset clearing will occur twice each time the unit is powered up. On the third occurrence, the unit will initiate a lock-out and require manual reset. If an auto-reset overflow occurs once, but does not occur again for 72 hours, the trip counter will reset allowing more auto-resets to occur.

## Compressor/Inverter Protection

Symbio™ 700 control receives input from the inverter drive for any errors encountered by the drive, refer to *Packaged Rooftop Air Conditioners Precedent™ eFlex™ Troubleshooting Guide* (RT-SVD008\*-EN). If an error is encountered before the compressor has run for three minutes, Symbio 700 begins counting errors. The drive will automatically reset when the error condition clears and Symbio 700 will try to start the compressor again, if a call for cooling remains and three minutes have passed since the compressor last ran. If Symbio 700 counts four such errors within 30 minutes, the system will go to manual lock

out mode. Refer to *Packaged Rooftop Air Conditioners Precedent™ eFlex™ Troubleshooting Guide* (RT-SVD008\*-EN) for potential causes.

## Low Pressure Control (LPC)

When the LPC is opened for 1 continuous second, the compressors for that circuit is turned **OFF**. The compressors will not be allowed to restart for a minimum of 3 minutes.

If four consecutive open conditions occur during an active call for cooling, the compressors will be locked out, a diagnostic generated, if applicable, and a manual reset required to restart the compressors.

## High Pressure Control (HPC)

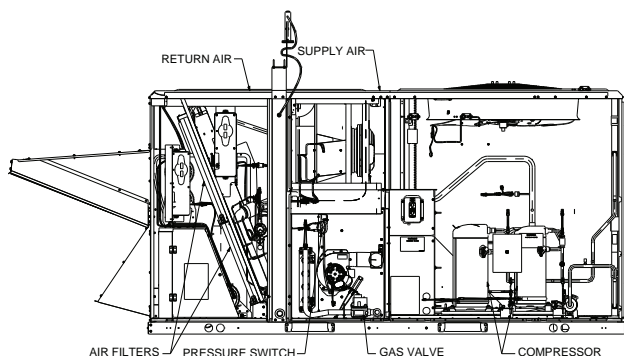
The high pressure controls are wired in series between the compressor outputs on the Symbio™ controller and the compressor contactor coils. If the high pressure control switch opens, the controller senses a lack of current while calling for cooling and locks the compressors out.

If four consecutive open conditions occur during an active call for cooling, the compressors will be locked out, a diagnostic generated, if applicable, and a manual reset required to restart the compressors.

## Air Filters

Filters are to be used with this unit. Units ship from the factory with filters installed.

Figure 2. Gas unit overview



It is very important to keep the central duct system air filters clean. Inspect them at least once each month when the system is in constant operation. (In new buildings, check the filters every week for the first four weeks.) See the following table for the required filter size(s).

If the unit has disposable type filters, replace them with new filters of the same type and size. Do not attempt to clean disposable filters.

Permanent type filters can be cleaned by washing them with a mild detergent and water. Confirm the filters are thoroughly dry before reinstalling them in the unit (or duct system).

It may be necessary to replace permanent filters annually if washing fails to clean the filter. Use the same type and size as originally installed.

Table 1. Recommended standard filters

Tons	Unit Model Number	Qty	Filter Size (L x W X D)
3	(T,Y)ZK036A**(0,A) (L,M,H)	2	18 x 24 x 2
		3	24 x 16 x 2
4	(T,Y)ZK048A**(0,A) (L,M,H)	2	18 x 24 x 2
		3	24 x 16 x 2
5	(T,Y)ZK060A**(0,A) (L,M,H)	2	18 x 24 x 2
		3	24 x 16 x 2
6	(T,Y)ZK072A**(0,A, B)(L,M,H)	2	18 x 24 x 2
		3	24 x 16 x 2
7.5	(T,Y)ZK090A**(0,A, B)(L,M,H)	2	18 x 24 x 2
		3	24 x 16 x 2
8.5	(T,Y)ZK102A**(0,A, B)(L,M,H)	2	18 x 24 x 2
		3	24 x 16 x 2
10	(T,Y)ZK120A**(0,A, B)(L,M,H)	3	18 x 18 x 2
		3	24 x 18 x 2
12.5	(T,Y)ZK150A**(0,A, B)(L,M,H)	4	20 x 24 x 2
		4	20 x 30 x 2
15	(T,Y)ZK180A**(0,A, B)(L,M,H)	4	20 x 24 x 2
		4	20 x 30 x 2
17.5	(T,Y)ZK210A**(0,A, B)(L,M,H)	4	20 x 24 x 2
		4	20 x 30 x 2
20	(T,Y)ZK240A**(0,A, B)(L,M,H)	4	20 x 24 x 2
		4	20 x 30 x 2
25	(T,Y)ZK300A**(0,A, B)(L,M,H)	4	20 x 24 x 2
		4	20 x 30 x 2

## Zone Sensors

### Manual Changeover (BAYSENS106\*)

This sensor features three system switch settings (Heat, Cool, and Off) and two fan settings (On and Auto). It is a manual changeover control with single setpoint.

### Manual/Automatic Changeover (BAYSENS108\*)

This sensor features four system switch settings (Heat, Cool, Auto, and Off) and two fan settings (On and Auto). It is a manual or auto changeover control with dual setpoint capability. It can be used with a remote zone temperature sensor BAYSENS077\*.



## General Information

### Wall Mounted Relative Humidity Sensor (BAYSENS036\*)

Field installed, wall mounted humidity sensor that measures temperature and relative humidity. Relative humidity input is used to control activation of dehumidification

### Duct Mounted Relative Humidity Sensor (BAYSENS037\*)

Field installed, duct mounted humidity sensor that measures temperature and relative humidity. Relative humidity input is used to control activation of dehumidification.

### Integrated Comfort System (BAYSENS073\*)

This sensor features remote zone sensing and timed override with override cancellation. It is used with a Trane Integrated Comfort™ building management system.

### Integrated Comfort System (BAYSENS074\*)

This sensor features single setpoint capability and timed override with override cancellation. It is used with a Trane Integrated Comfort™ building management system.

### Remote Zone Sensor (BAYSENS016\*)

This bullet type temperature sensor can be used for outside air (ambient) sensing, return air temperature sensing, supply air temperature sensing, remote temperature sensing (uncovered). Wiring procedures vary according to the particular application and equipment involved. Refer to the unit's wiring diagrams for proper connections.

### Remote Zone Sensor (BAYSENS077\*)

This sensor can be used with BAYSENS106\*, 108\*, 110\*, 800\* Remote Panels. When this sensor is wired to a BAYSENS800\* Remote Panel, wiring must be 18 AWG Shielded Twisted Pair (Belden 8760 or equivalent). Refer to the specific Remote Panel for wiring details.

### Thermostat

Room thermostats are delicate temperature sensing controls. Their main function is to energize and de-energize the heating or cooling circuit to maintain the temperature setting you select.

Many thermostats contain a room thermometer to indicate the approximate room temperature and a temperature scale at the adjustment indicator to select the desired indoor air temperature. In addition, most thermostats have a selector mode switch with Heat, Off and Cool positions and a fan switch with On and Off positions.

When the switch is positioned at Off your unit will not operate in either the heat or cool modes. If the selector switch is set at Heat the unit will automatically cycle on and

off to maintain the desired temperature setting. The unit will also operate automatically when the selector switch is positioned at Cool.

The fan selector switch can be used to operate the indoor fan continuously by positioning it at On. When set to Auto the fan will only operate when required during the heating or cooling cycles.

To ensure that the thermostat operates properly, it must be level and positioned to avoid the influence of such external heat sources as lamps, televisions or other heat producing appliances.

#### Notes:

- *Single zone VAV is designed to be used with a zone sensor. If a unit is configured for Single zone VAV operation but is connected to a thermostat, the control will revert to multi-speed (2-speed) indoor fan control and staged compressor control. This drastically reduces the energy savings available with this design.*
- *eFlex™ is designed to be used with a zone sensor. If a unit is configured for variable speed compressor operation but is connected to a thermostat, the control will revert to multi-speed indoor fan control and staged compressor control. This drastically reduces the energy savings available with this design.*

The unit must have a thermostat to operate.

- BAYSTAT150  
Three Heat/Two Cool Auto changeover digital display thermostat. Seven day programmable thermostat with night setback.
- BAYSTAT152  
Thermostat, programmable, touch screen, Three Heat/Two Cool Auto changeover digital display thermostat. Seven day programmable thermostat with night setback.
- BAYSTAT814  
Smart Thermostat, programmable, touch screen, Three Heat/Two Cool Auto changeover digital display thermostat. Seven day programmable thermostat with night setback and Time Override. Can be stand alone or multi-thermosets managed by mobile app.

### High Temperature Sensor (FIAHTST001\*)

This sensor connects to the Symbio™ 700 Emergency Stop Input and provides high limit “shutdown” of the unit. The sensor is used to detect high temperatures due to a high thermal event in the air conditioning or ventilation ducts. The sensor is designed to mount directly to the sheet metal duct. Each kit contains two sensors. The return air duct sensor (X13100040010) is set to open at 135°F. The supply air duct sensor (X13100040020) is set to open at 240°F. The control can be reset after the temperature



has been lowered approximately 25°F below the cutout setpoint.

## Digital Display Zone Sensor (BAYSENS135\*)

LCD display provides heat, cool, auto, on, and off status. Display includes two temperature setpoints, and a lockable setting with °F or °C indicators.

## Touch Screen Programmable Zone Sensor (BAYSENS800)

This sensor uses a BACnet® MS/TP link to communicate zone temperature and setpoints. Sensor includes Auto, Heat, Cool, or Off system switch, as well as Fan Auto or On switch. This is a seven day programmable thermostat with night setback.

### Notes:

- Not compatible with VAV units.
- Requires BACnet® communications.
- For additional sensors, refer to the product catalog.
- BAYSENS800\* with BACnet® enabled on the Symbio™ controller will report fault detection and diagnostics at the zone sensor. This functionality is only applicable if the customer does not have a building management system, and the unit is running standalone with the BAYSENS800.

## Evaporator Frost Control

Frostat is standard on all units.

## Discharge Line Temp Switch (DLT)

The DLT is looped in series with HPC and LPC. It prevents the compressor from overheating.

## Smoke Detector Sensor (Optional)

This sensor provides high limit shutdown of the unit and requires a manual reset. The sensor is used to detect smoke in the air conditioning or ventilation ducts.

### Notes:

- The supply air smoke detector samples supply air. The return smoke detectors sample return air. The smoke detectors are designed to shut off the unit if smoke is sensed. This function is performed by sampling the airflow entering the unit at the return air opening. Follow the instructions provided below to confirm that the airflow through the unit is sufficient for adequate sampling. Failure to follow these instructions will prevent the smoke detectors from performing its design function.
- Airflow through the unit is affected by the amount of dirt and debris accumulated on the indoor coil and filters. To confirm that airflow through the unit is adequate for proper sampling by the return air smoke detector, complete adherence to the maintenance procedures, including recommended intervals between filter changes, and coil cleaning is required.
- Periodic checks and maintenance procedures must be performed on the smoke detector to verify that it will function properly. For detailed instructions concerning these checks and procedures, refer to the appropriate section(s) of the smoke detector Installation and Maintenance Instructions provided with the literature package for this unit.
- For the supply air smoke detector or return air smoke detector to properly sense smoke in the supply air stream or return air stream, the air velocity entering the smoke detector unit must be between 500 and 4000 feet per minute. Equipment covered in this manual will develop an airflow velocity that falls within these limits over the entire airflow range specified in the evaporator fan performance tables.

## Phase Monitor

This sensor monitors voltage between the 3 conductors of the 3 phase power supply. Two LED lights are provided:

- The green light indicates that a balanced 3 phase supply circuit is properly connected.
- The red light indicates that unit operation has been prevented. There are two conditions that will prevent unit operation:
  - The power supply circuit is not balanced with the proper phase sequence of L1, L2, L3 for the 3 conductors of a 3 phase circuit.
  - The line to line voltage is not between 180 volts and 633 volts.



## Pre-Installation

### **⚠ WARNING**

#### **Fiberglass Wool!**

Exposure to glass wool fibers without all necessary PPE equipment could result in cancer, respiratory, skin or eye irritation, which could result in death or serious injury. Disturbing the insulation in this product during installation, maintenance or repair will expose you to airborne particles of glass wool fibers and ceramic fibers known to the state of California to cause cancer through inhalation.

You **MUST** wear all necessary Personal Protective Equipment (PPE) including gloves, eye protection, a NIOSH approved dust/mist respirator, long sleeves and pants when working with products containing fiberglass wool.

#### **Precautionary Measures:**

- Avoid breathing fiberglass dust.
- Use a NIOSH approved dust/mist respirator.
- Avoid contact with the skin or eyes. Wear long-sleeved, loose-fitting clothing, gloves, and eye protection.
- Wash clothes separately from other clothing; rinse washer thoroughly.
- Operations such as sawing, blowing, tear-out, and spraying may generate fiber concentrations requiring additional respiratory protection. Use the appropriate NIOSH approved respirator.

#### **First Aid Measures:**

- **Eye Contact** - Flush eyes with water to remove dust. If symptoms persist, seek medical attention.
- **Skin Contact** - Wash affected areas gently with soap and warm water after handling.



# Dimensions and Weights

## Cabinet Size

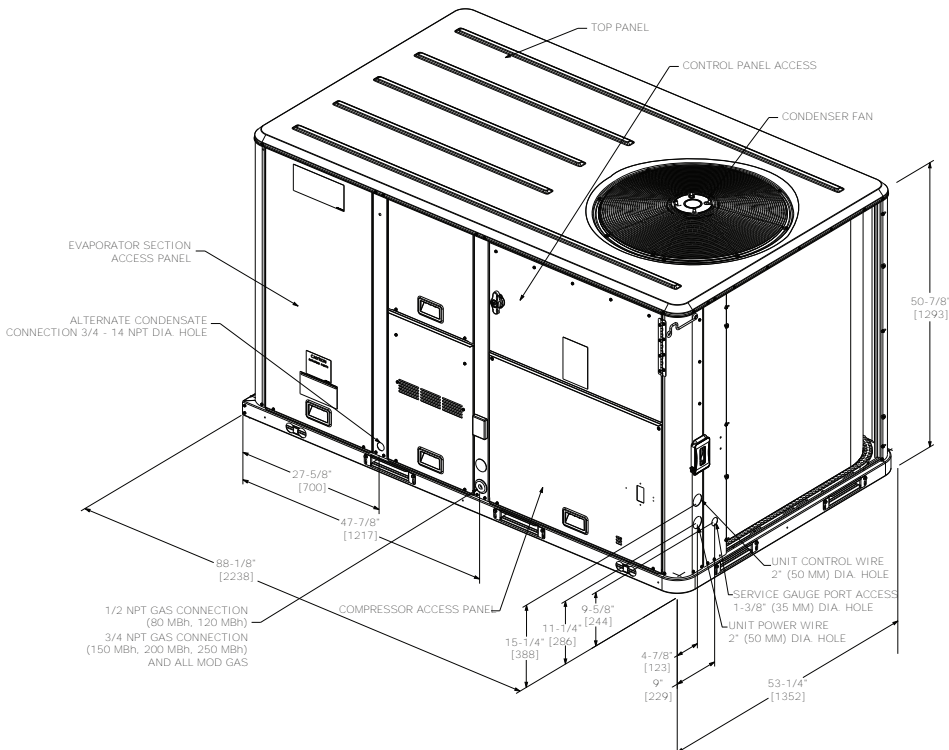
**Table 2. Cabinet size — cooling and gas/electric ultra high efficiency**

Unit Size (Tons)	Model Number Digits 4, 5, 6	TZK, YZK
3	036	B.0
4	048	
5	060	
6	072	
7.5	090	
8.5	102	
10	120	C.0
12.5	150	D.1
15	180	
17.5	210	
20	240	
25	300	

*Note: Equipment feature availability is dependent on unit configuration. For more information, see Trane® Select Assist™ or contact product support.*

## Dimensional Data

**Figure 3. B.0 cabinet**





## Dimensions and Weights

Figure 4. B.0 cabinet – downflow airflow supply/return, through-the-base utilities

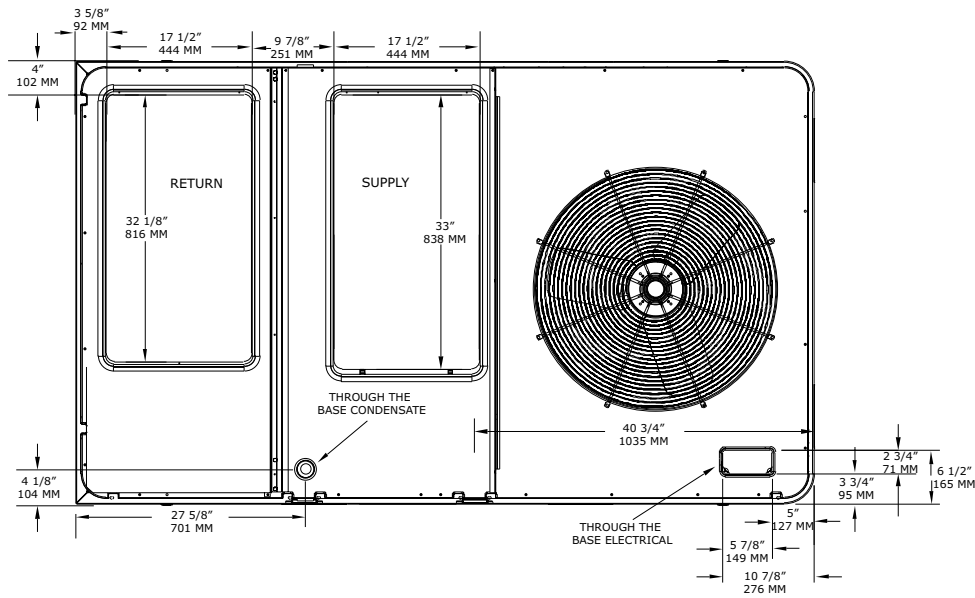


Figure 5. B.0 cabinet – horizontal airflow supply/return

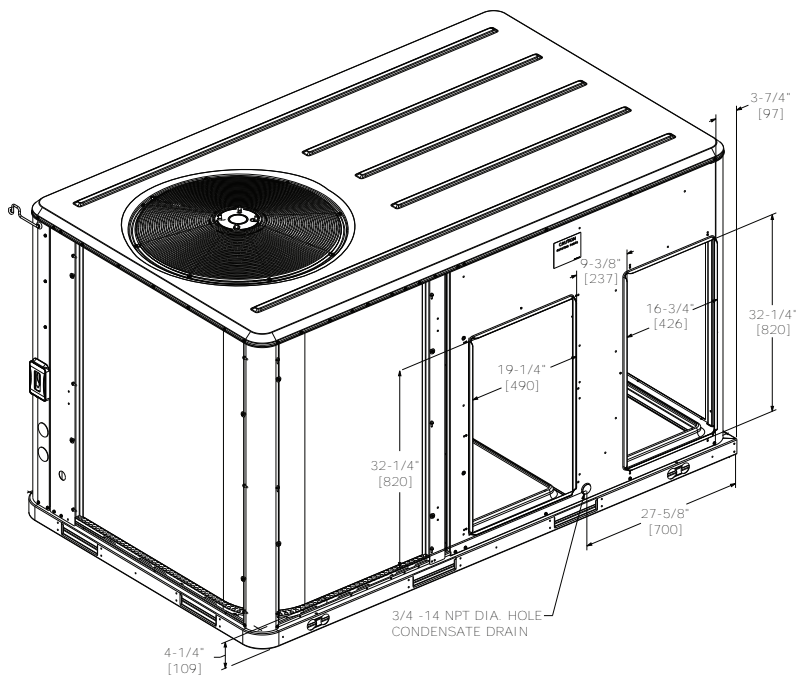


Figure 6. B.0 cabinet – unit clearance and roof opening

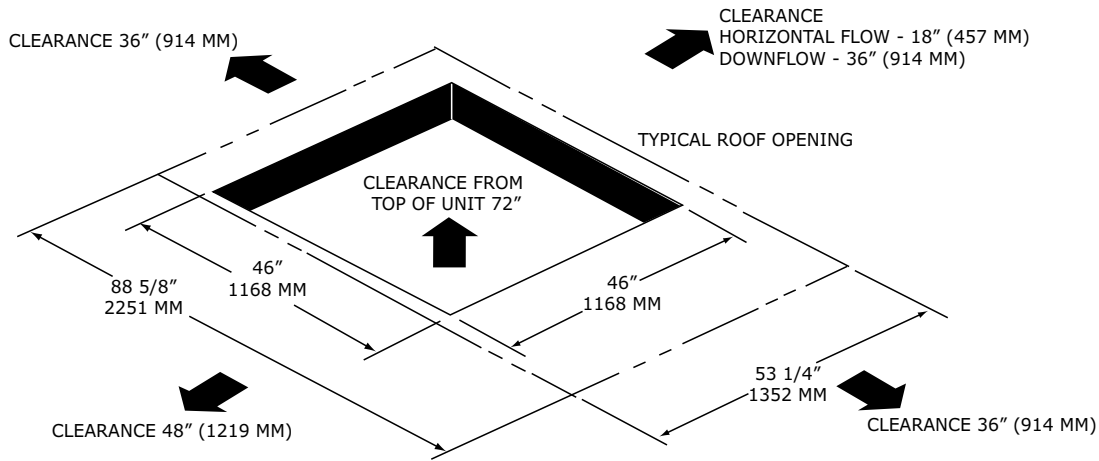
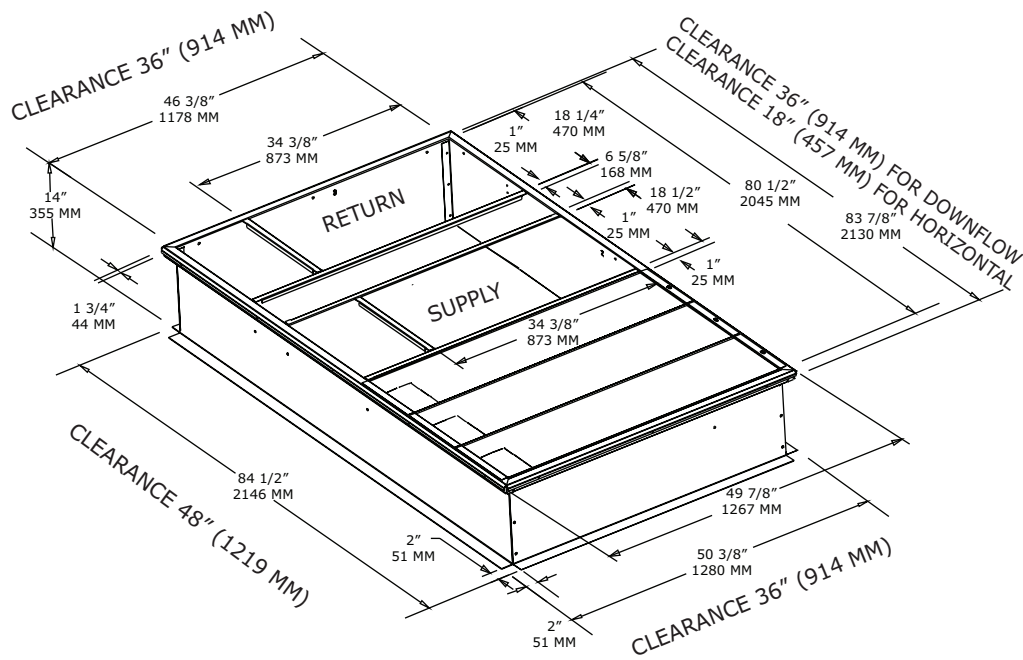


Figure 7. B.0 cabinet – roof curb



## Dimensions and Weights

Figure 8. B.0 cabinet – downflow duct connections, field fabricated

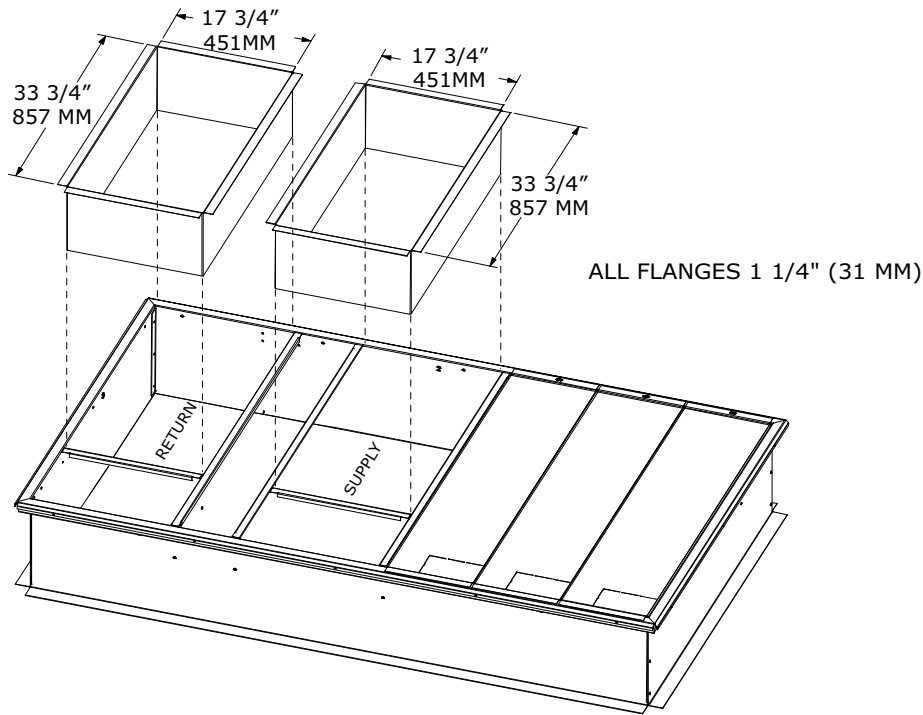


Figure 9. B.0 cabinet – swing diameter for hinged door(s) option

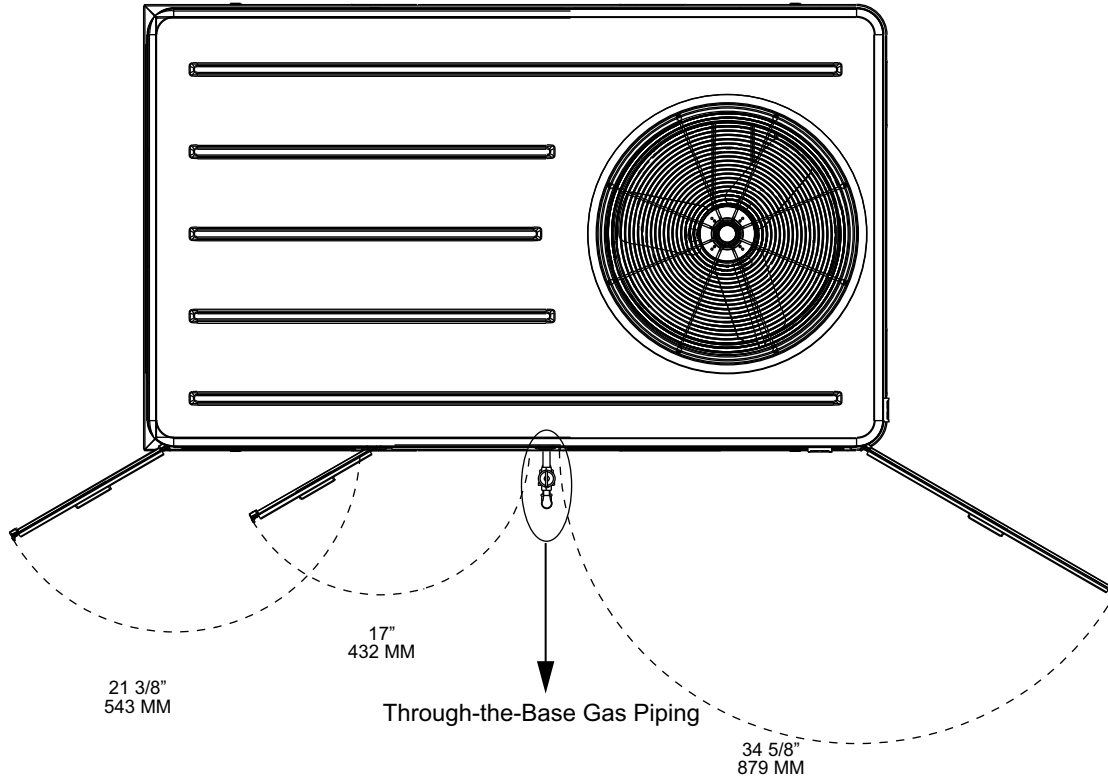


Figure 10. C.0 cabinet

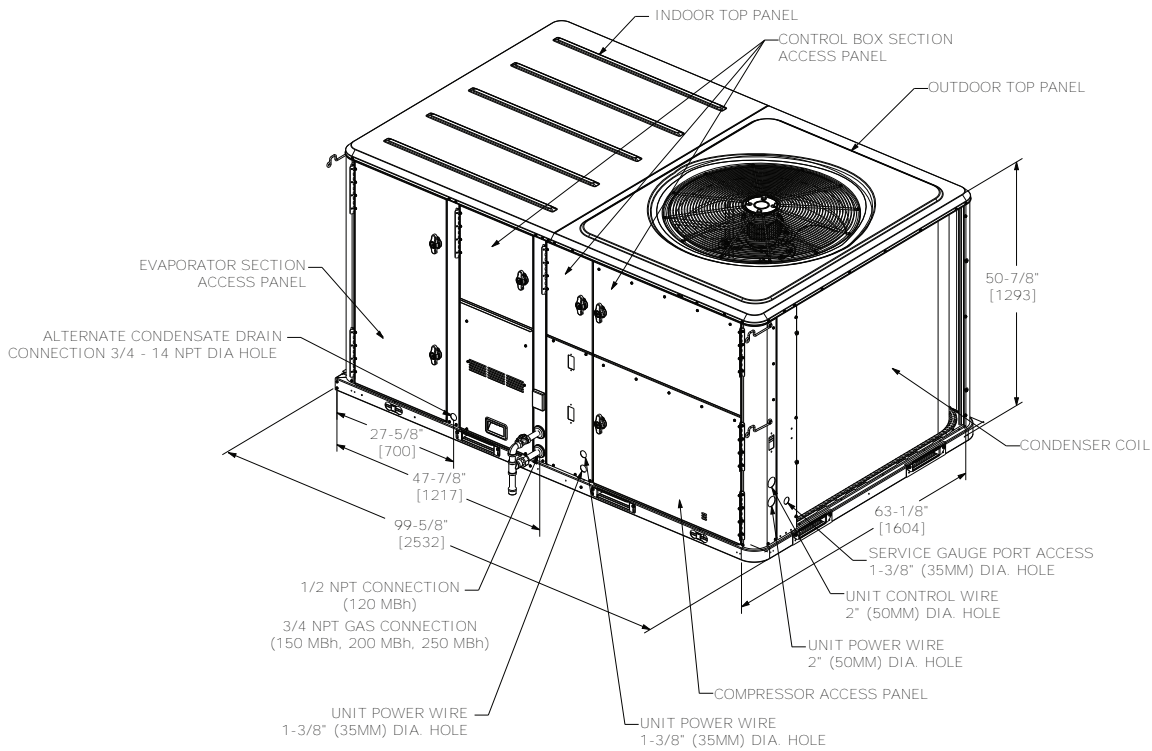
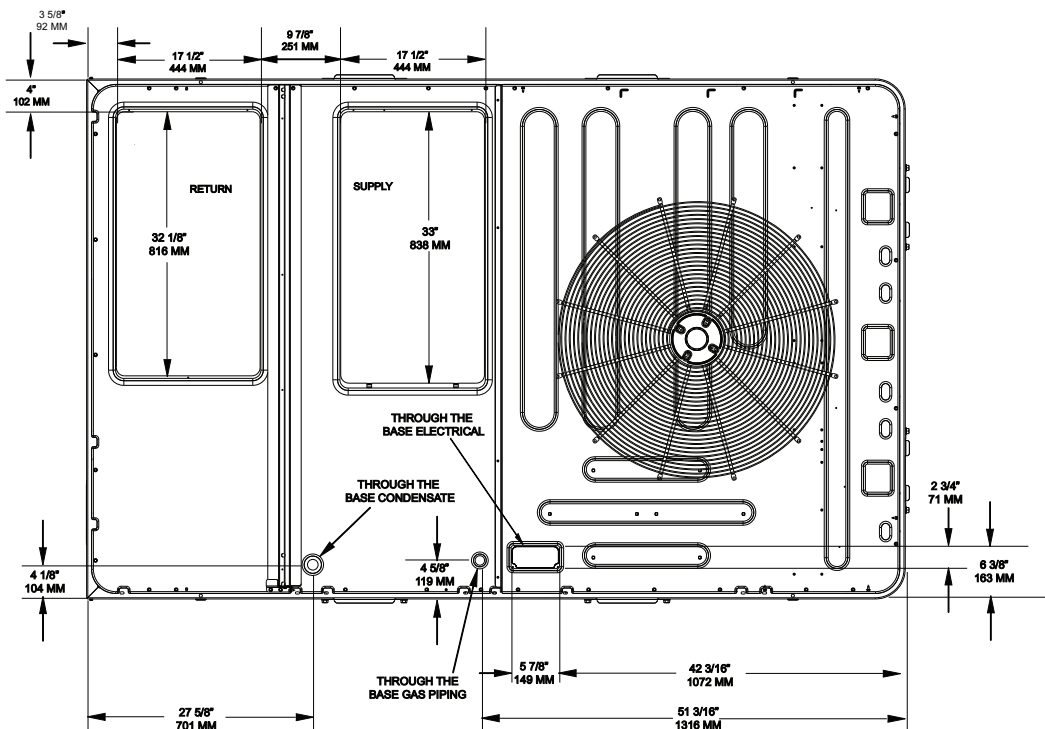


Figure 11. C.0 cabinet – downflow airflow supply/return, through-the-base utilities





## Dimensions and Weights

Figure 12. C.0 cabinet – horizontal airflow, supply and return

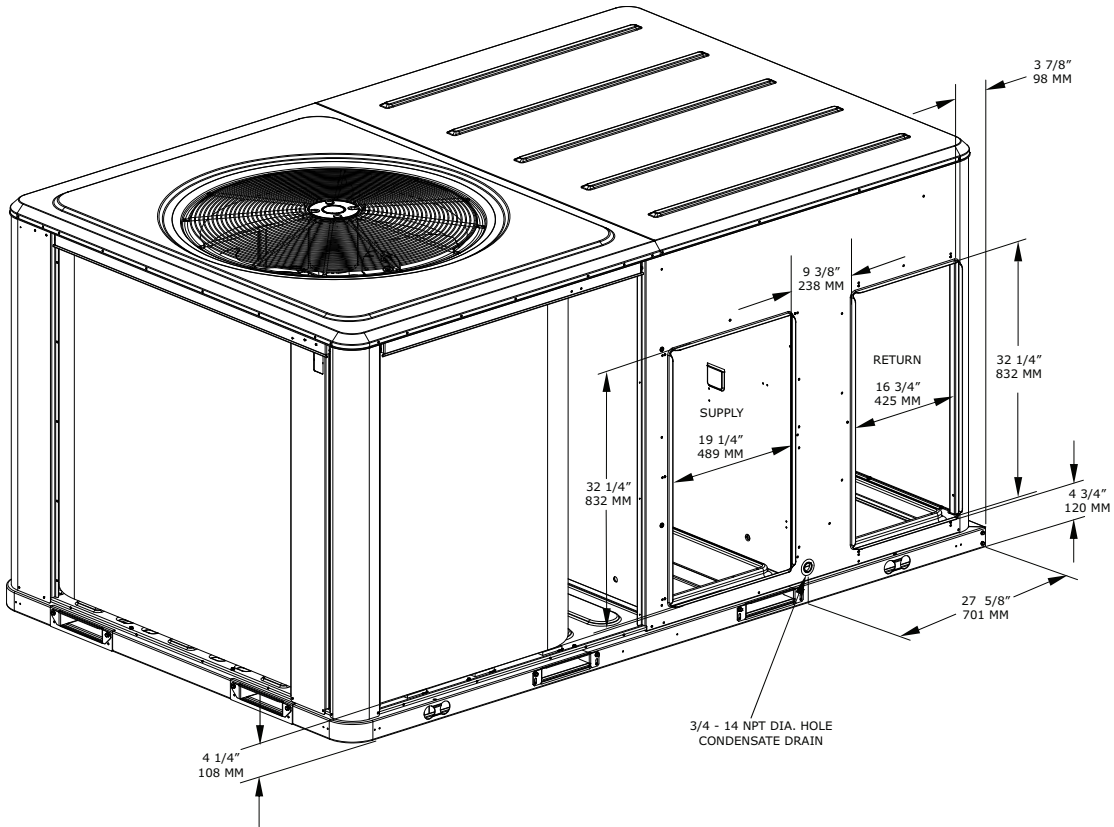


Figure 13. C.0 cabinet – unit clearance and roof opening

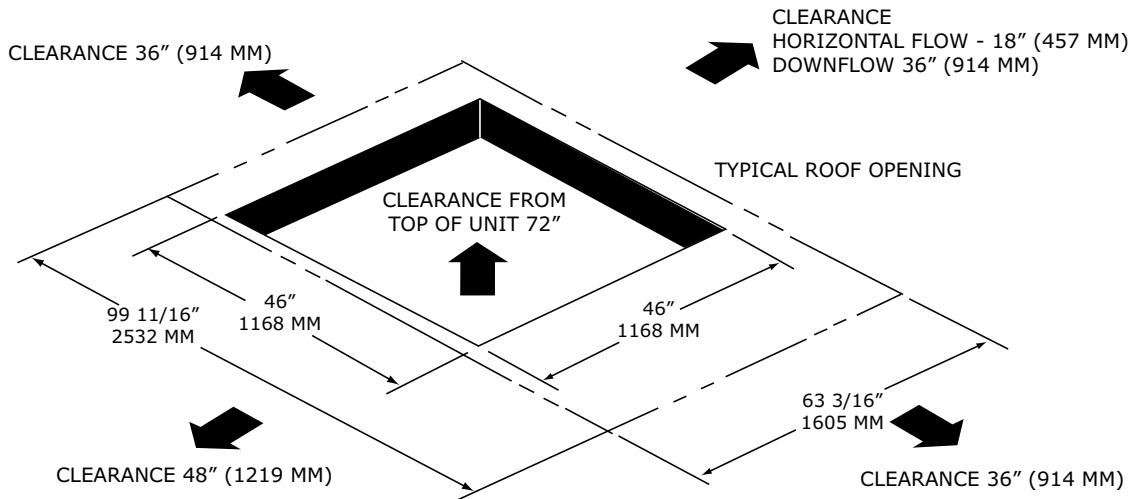




Figure 14. C.0 cabinet – roof curb

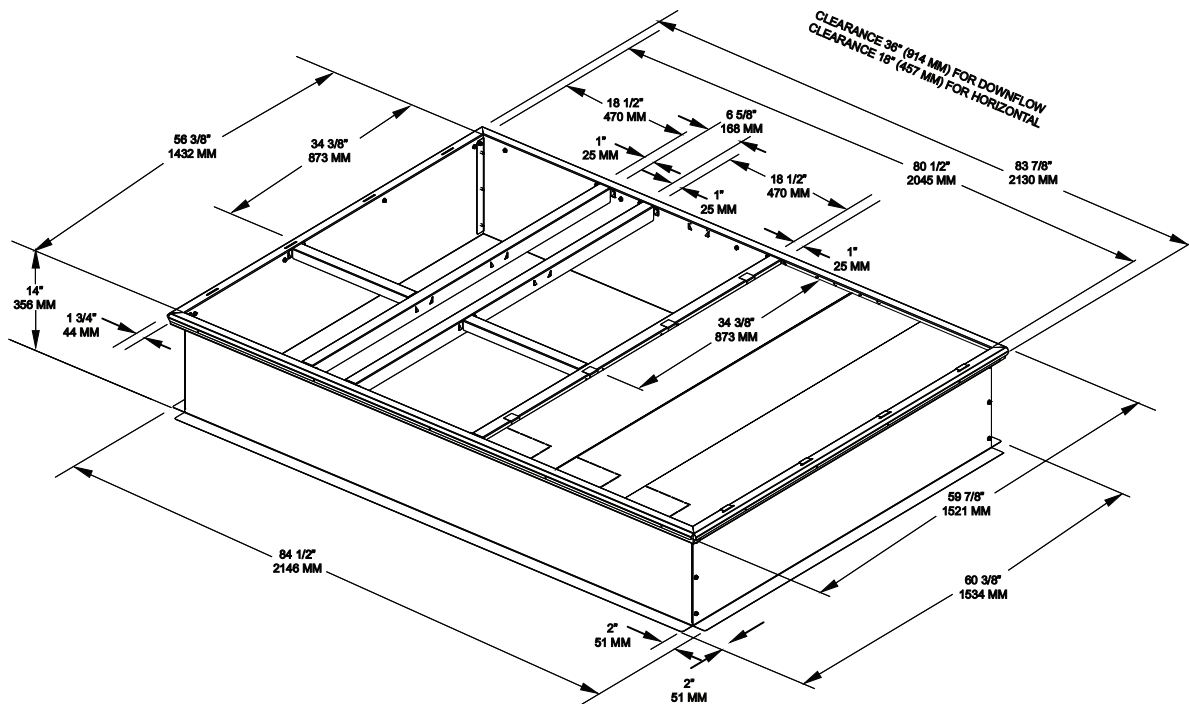
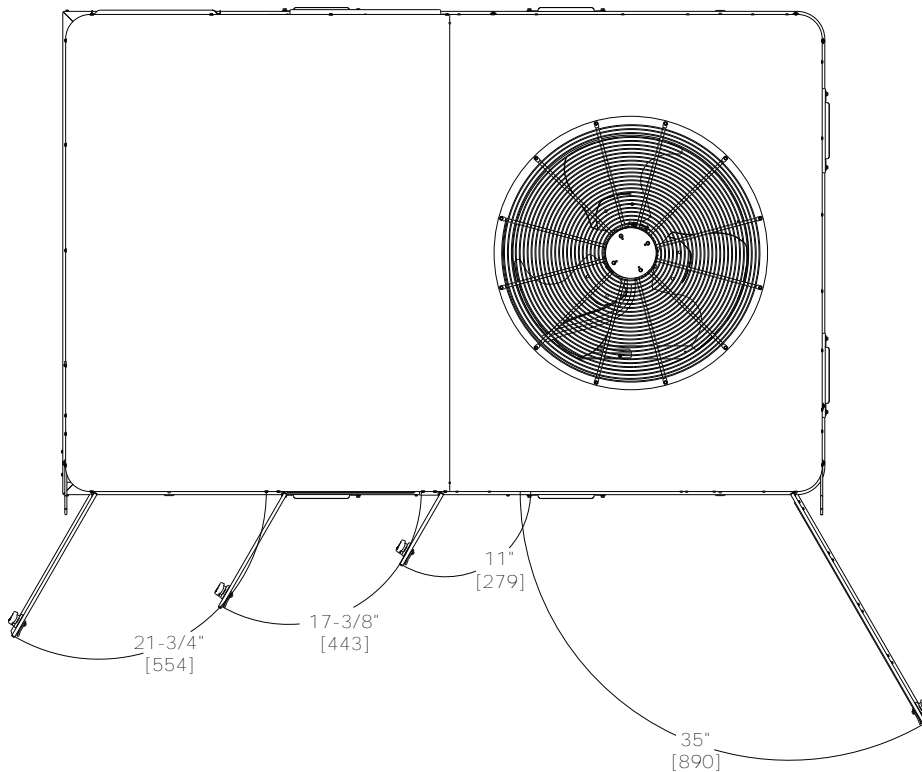


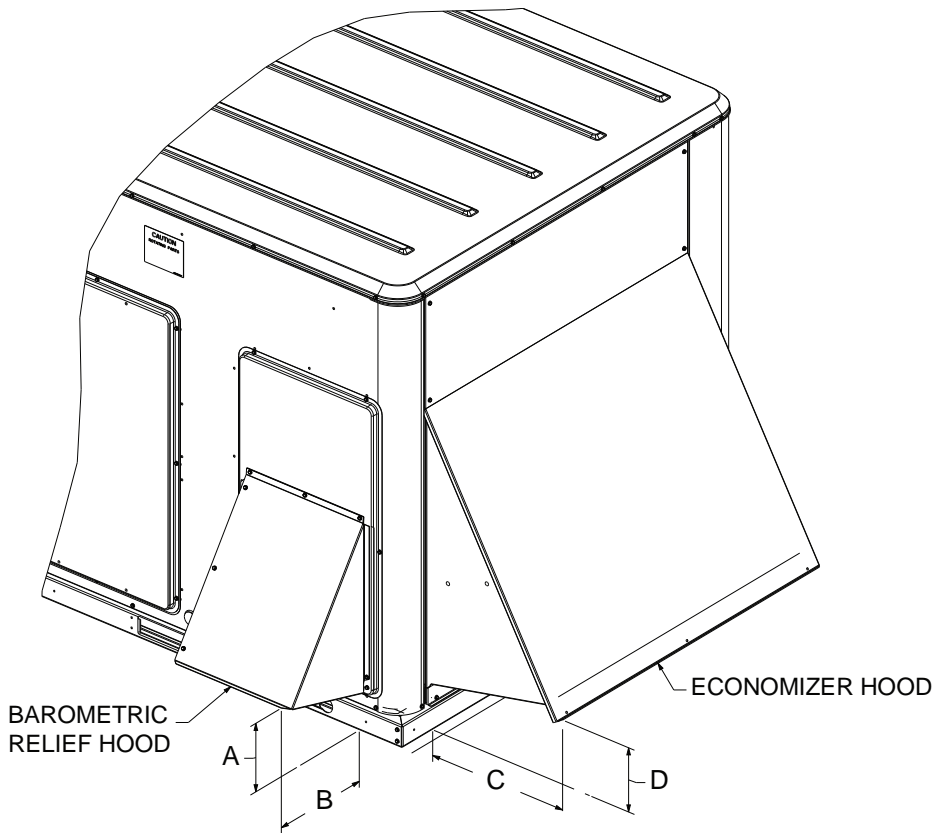
Figure 15. C.0 cabinet – swing diameter for hinged door(s) option





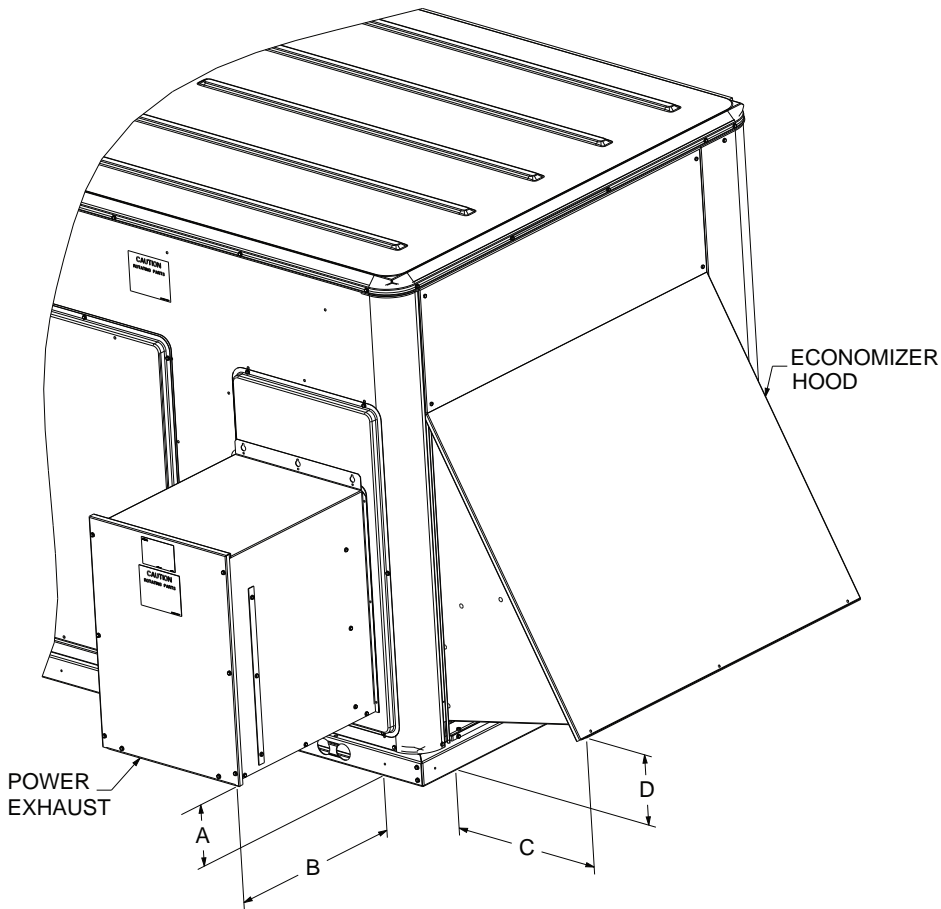
## Dimensions and Weights

Figure 16. B.0 and C.0 cabinets – standard economizer, manual or motorized fresh air damper



Cabinet	Dimension							
	A		B		C		D	
	inch	mm	inch	mm	inch	mm	inch	mm
B.0 and C.0	7 3/4	197	12	305	16 3/4	425	7 1/4	184

Figure 17. B.0 and C.0 cabinet – power exhaust with standard economizer

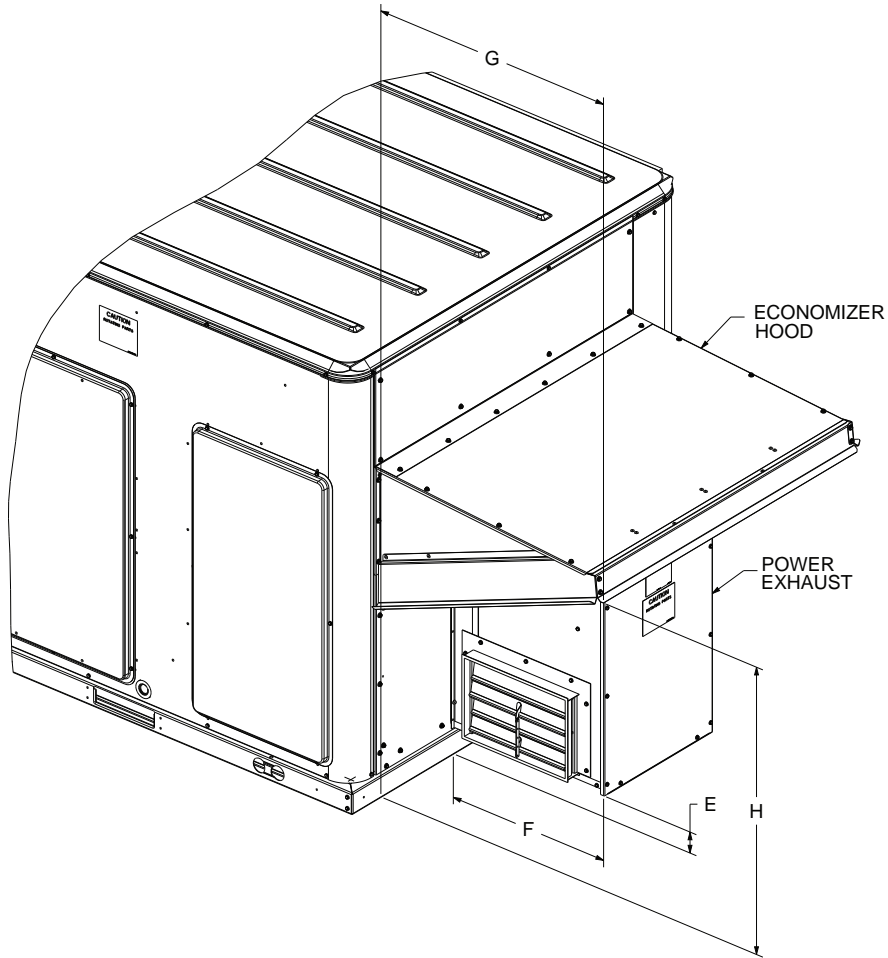


Cabinet	Dimension							
	A		B		C		D	
	inch	mm	inch	mm	inch	mm	inch	mm
B.0 and C.0	6 3/8	162	20 1/2	521	16 3/4	425	7 1/4	184



## Dimensions and Weights

Figure 18. B.0 and C.0 cabinet – power exhaust with low leak economizer



Cabinet	Dimension							
	E		F		G		H	
	inch	mm	inch	mm	inch	mm	inch	mm
B.0 and C.0	2 1/2	64	19 3/4	502	29 1/4	743	33 1/2	852

Figure 19. D.0 and D.1 cabinets

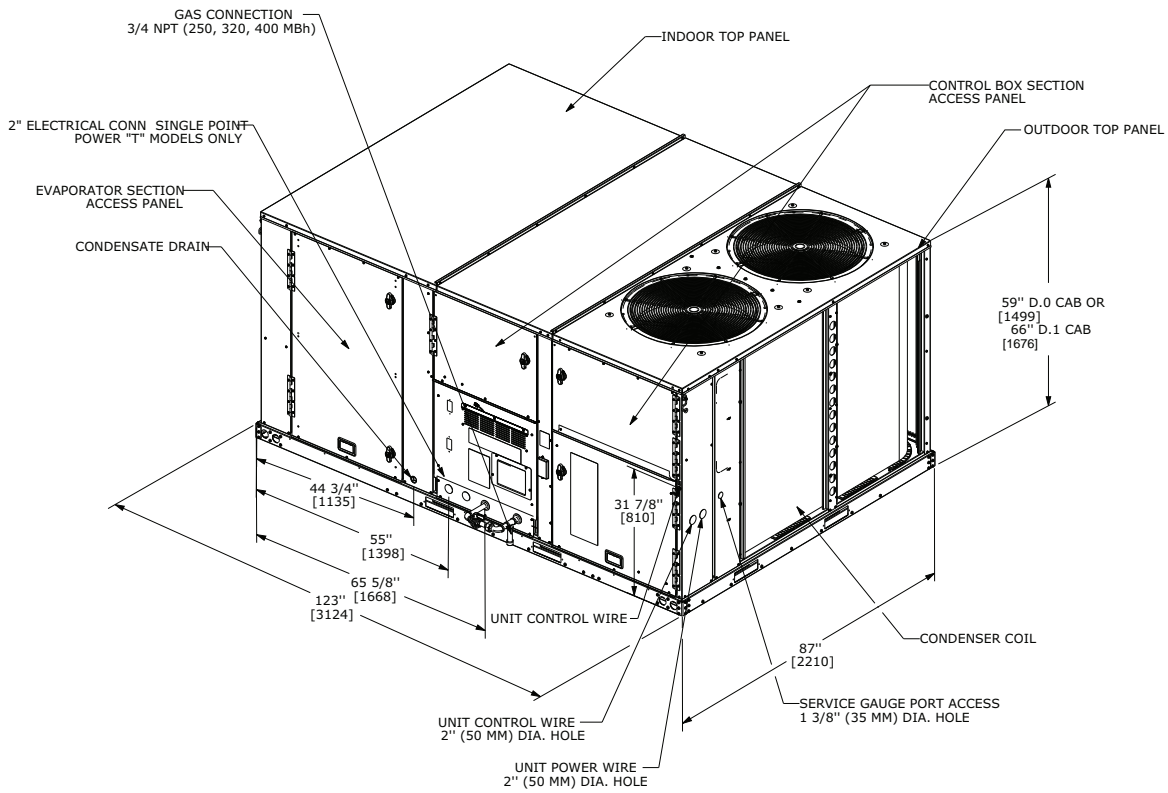
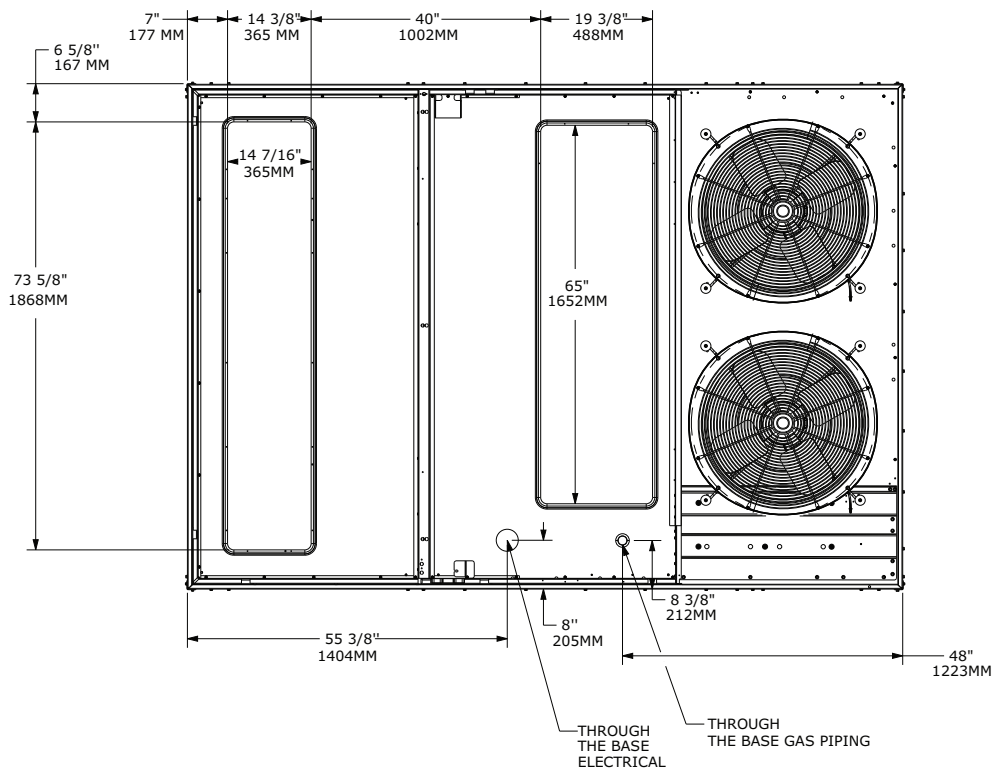


Figure 20. D.0 and D.1 cabinets – downflow airflow supply/return, through-the-base utilities





## Dimensions and Weights

Figure 21. D.0 and D.1 cabinets – horizontal airflow supply/return

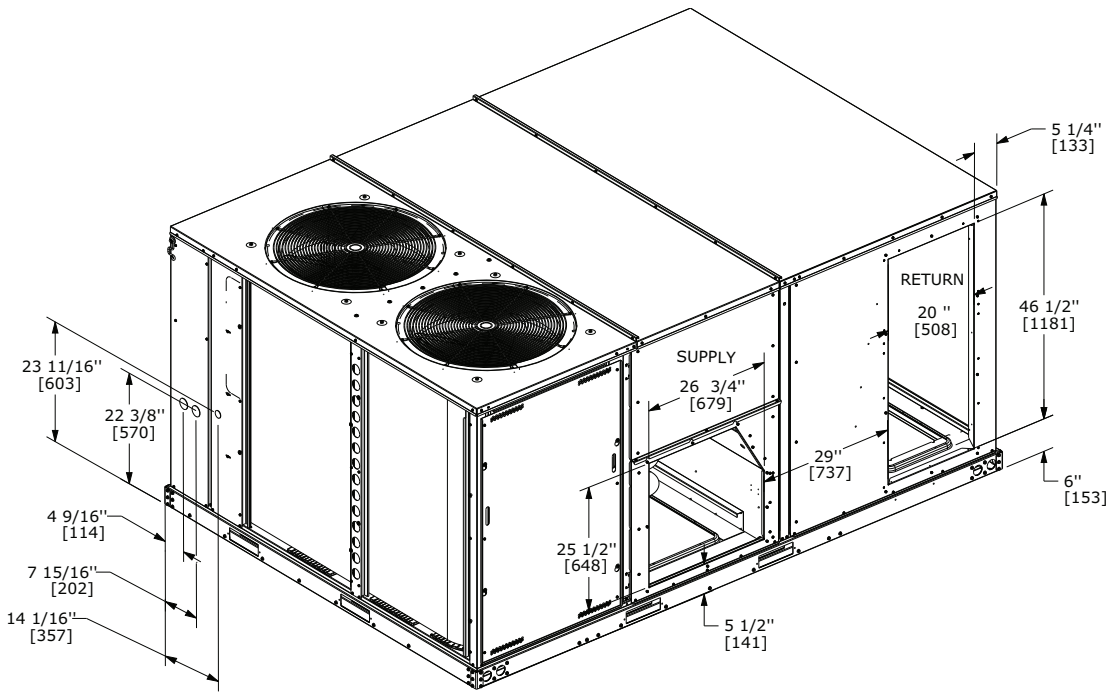


Figure 22. D.0 and D.1 cabinets – unit clearance and roof opening

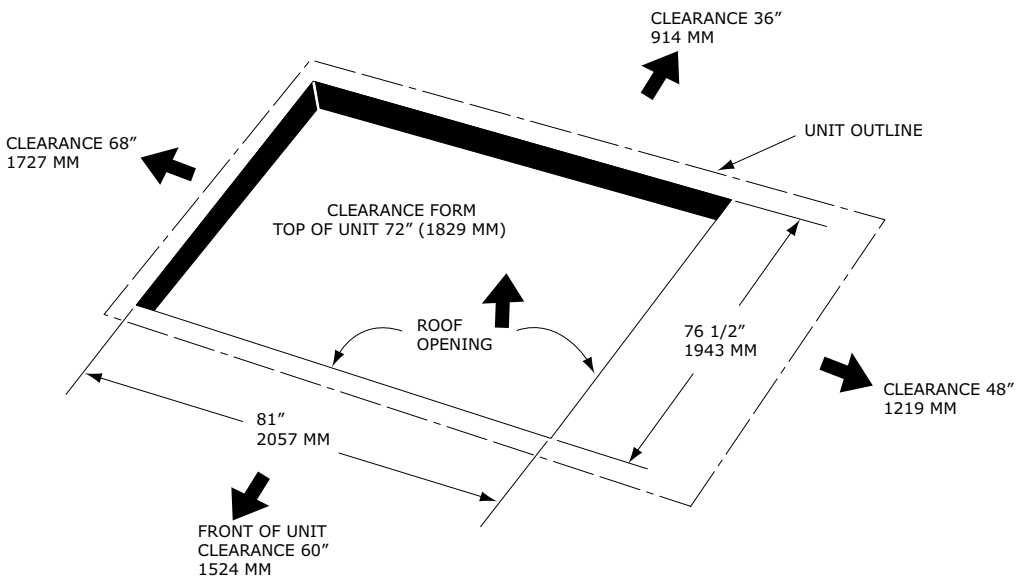


Figure 23. D.0 and D.1 cabinets – roof curb

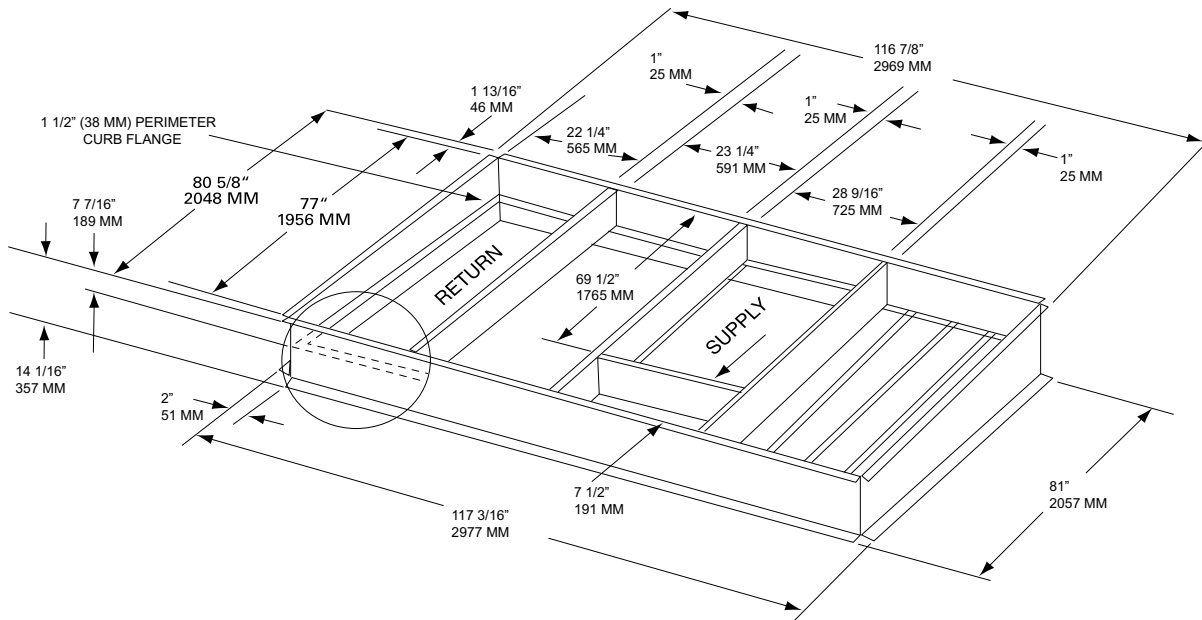
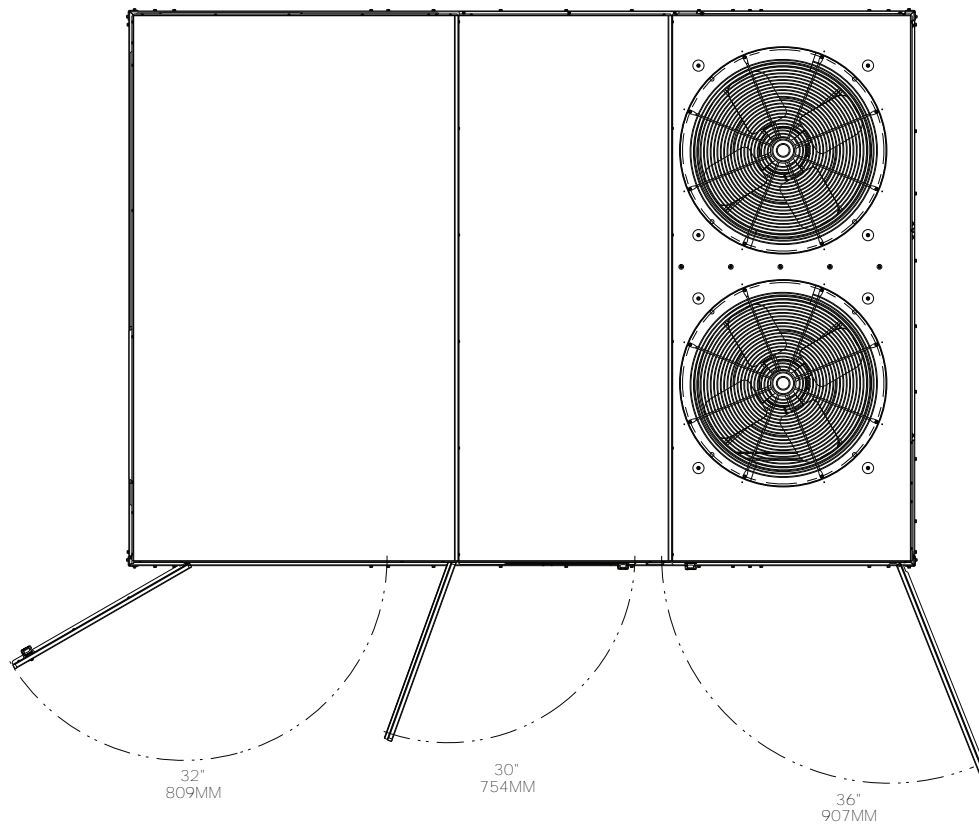


Figure 24. D.0 and D.1 cabinets – swing diameter for hinged door(s) option





## Dimensions and Weights

Figure 25. D.0 and D.1 cabinets – power exhaust

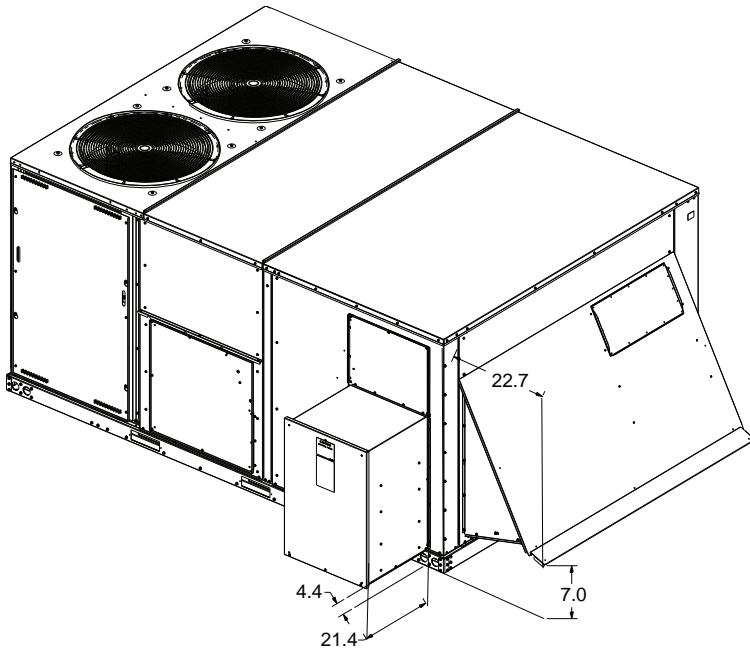
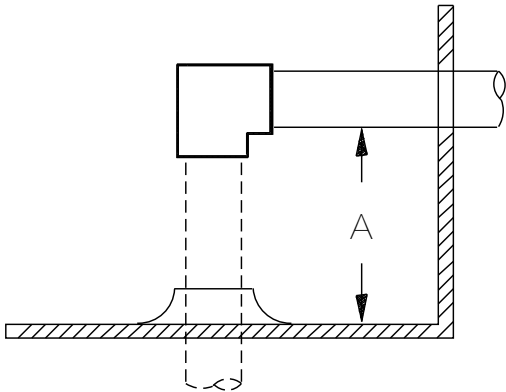


Figure 26. Gas pipe height



**Note:** Height of gas pipe required from inside unit base to gas shut off assembly (factory provided).

Cabinet	Dimension A	
	inch	mm
B.0, and C.0	4 5/8	117
D.0 and D.1	1 3/6	30

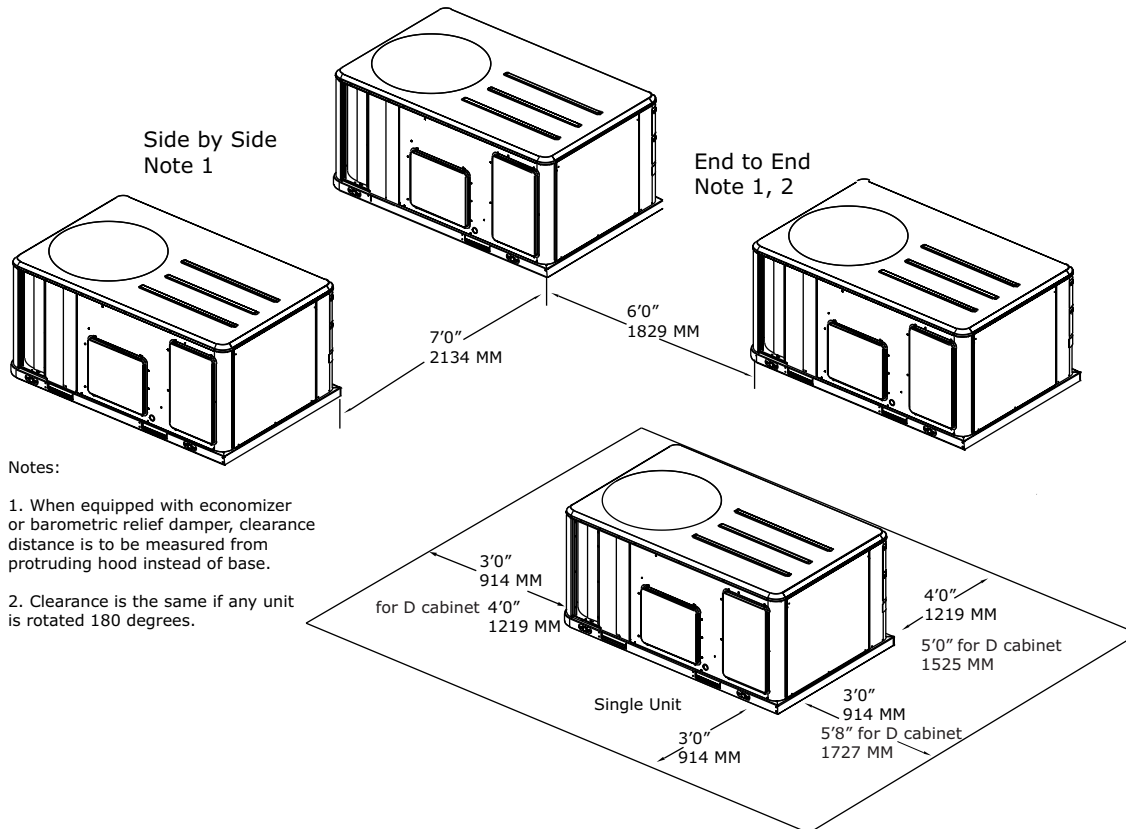


## Clearances

Figure 27, p. 29 illustrates the minimum operating and service clearances for either a single or multiple unit installation. These clearances are the minimum distances necessary to assure adequate serviceability, cataloged unit

capacity, and peak operating efficiency. Providing less than the recommended clearances may result in condenser coil starvation, "short-circuiting" of exhaust and economizer airflows, or recirculation of hot condenser air.

Figure 27. Typical installation clearances for single and multiple unit applications



Notes:

1. When equipped with economizer or barometric relief damper, clearance distance is to be measured from protruding hood instead of base.
2. Clearance is the same if any unit is rotated 180 degrees.



## Dimensions and Weights

### Weights

**Table 3. Model weights, corner weights (lbs) and center of gravity dimensions (in.)**

Tons	Unit Model No.	Model Weights <sup>(a)</sup>		Corner Weights <sup>(b)</sup>				Center of Gravity (in.)	
		Shipping	Net	A	B	C	D	Length	Width
3	TZK036	888	790	225	194	171	200	41	25
4	TZK048	895	797	227	195	173	201	41	25
5	TZK060	903	805	230	197	175	203	41	25
6	TZK072	908	810	231	198	176	205	41	25
7.5	TZK090	957	859	213	208	216	221	44	27
8.5	TZK102	964	866	215	210	218	233	44	27
10	TZK120	1372	1178	345	347	244	243	50	26
12.5	TZK150	2161	1941	595	498	386	462	56	38
15	TZK180	2166	1946	597	499	387	463	56	38
17.5	TZK210	2266	2046	660	516	382	488	54	37
20	TZK240	2271	2051	661	517	383	489	54	37
25	TZK300	2274	2054	662	518	384	490	54	37

<sup>(a)</sup> Weights are approximate. Weights do not include additional factory or field installed options/accessories. For option/accessory additional weights to be added to unit weight, reference the following table.

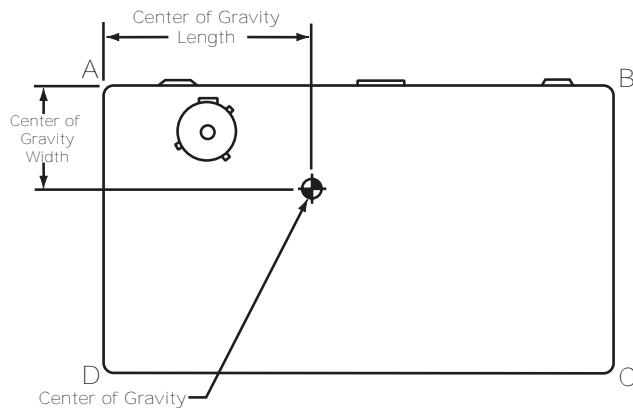
<sup>(b)</sup> Corner weights are given for information only.

**Table 4. Model weights, corner weights (lbs) and center of gravity dimensions (in.) - gas/electric**

Tons	Unit Model No.	Model Weights <sup>(a)</sup>		Corner Weights <sup>(b)</sup>				Center of Gravity (in.)	
		Shipping	Net	A	B	C	D	Length	Width
3	YZK036	939	841	227	217	194	203	43	25
4	YZK048	944	846	226	221	197	202	44	25
5	YZK060	948	850	230	225	195	200	44	25
6	YZK072	953	855	236	231	191	196	44	24
7.5	YZK090	1009	911	234	231	221	224	44	26
8.5	YZK102	1016	918	236	233	221	224	44	26
10	YZK120	1439	1245	377	371	246	250	50	25
12.5	YZK150	2341	2121	651	544	422	505	56	38
15	YZK180	2346	2126	652	545	423	506	56	38
17.5	YZK210	2446	2226	718	562	416	531	54	37
20	YZK240	2451	2231	719	563	417	532	54	37
25	YZK300	2454	2234	720	564	417	533	54	37

<sup>(a)</sup> Weights are approximate. Weights do not include additional factory or field installed options/accessories. For option/accessory additional weights to be added to unit weight, reference the following table.

<sup>(b)</sup> Corner weights are given for information only.

**Figure 28. Corner weights**

**Table 5. Factory installed options (FIOPS)/accessory net weights (lb)**

Accessory	T/YZK036-102	T/YZK120	T/YZK150-300
Barometric Relief	10	10	40
Economizer	36	36	91
Electric Heaters <sup>(a)</sup>	44	50	75
Low Leak Economizer - Downflow	91	91	150
Low Leak Economizer - Horizontal	186	186	180
Manual Outside Air Damper	26	26	15
Motorized Outside Air Damper	30	30	82
Oversized Motor <sup>(b)</sup>	14	14	30
Power Convenience Outlet	38	50	50
Power Exhaust	80	80	110
Reheat Coil	16	20	33
Roof Curb	105	111	235
Smoke Detector, Supply <sup>(b)</sup>	5	5	5
Smoke Detector, Return	7	7	5
Stainless Steel Heat Exchanger <sup>(c)</sup>	6	6	5
Through-the-Base Electrical	13	13	10
Through-the-Base Gas <sup>(c)</sup>	5	5	10
Unit Mounted Circuit Breaker	10	10	10
Unit Mounted Disconnect	5	5	10

**Notes:**

- Weights for options not listed are less than 5 pounds.
- Net weight should be added to unit weight when ordering factory-installed accessories.
- Weights are approximate.

<sup>(a)</sup> Only applies to T\*K models.

<sup>(b)</sup> Not available on all models.

<sup>(c)</sup> Only applies to Y\*K models.

## Lifting and Rigging

### ⚠ WARNING

#### Heavy Object!

Failure to follow instructions below could result in unit dropping which could result in death or serious injury, and equipment or property-only damage. Ensure that all the lifting equipment used is properly rated for the weight of the unit being lifted. Each of the cables (chains or slings), hooks, and shackles used to lift the unit must be capable of supporting the entire weight of the unit. Lifting cables (chains or slings) may not be of the same length. Adjust as necessary for even unit lift.

### ⚠ WARNING

#### Improper Unit Lift!

Failure to properly lift unit in a LEVEL position could result in unit dropping and possibly crushing operator/technician which could result in death or serious injury, and equipment or property-only damage. Test lift unit approximately 24 inches (61 cm) to verify proper center of gravity lift point. To avoid dropping of unit, reposition lifting point if unit is not level.

Figure 29. Rigging and center of gravity — B.0 and C.0 cabinets

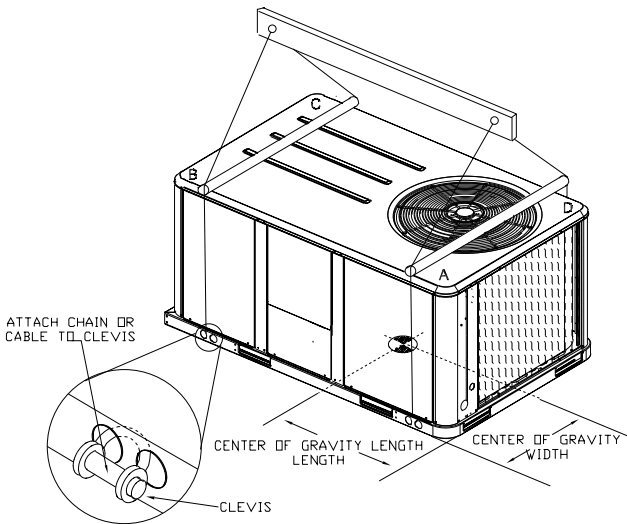
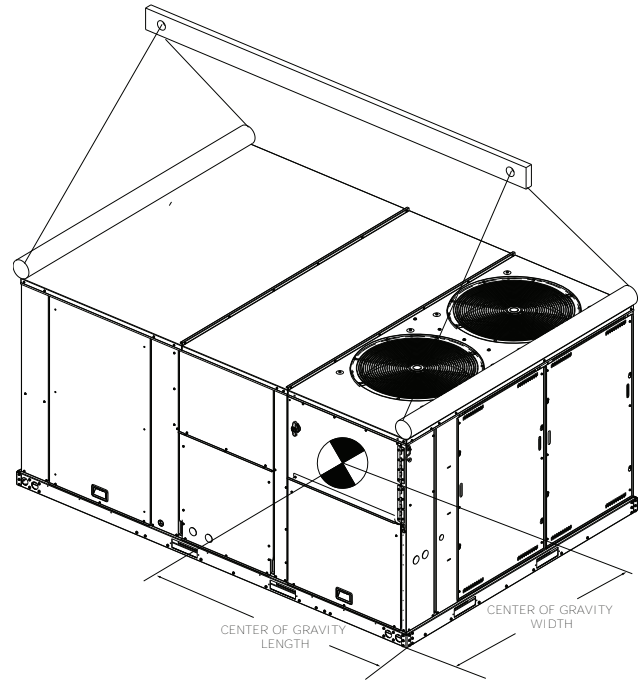


Figure 30. Rigging and center of gravity — D.0 and D.1 cabinets





# A2L Information

## A2L Work Procedures

### **⚠ WARNING**

#### **Risk of Fire — Flammable Refrigerant!**

Failure to follow instructions below could result in death or serious injury, and equipment damage.

- To be repaired only by trained service personnel.
- Do not puncture refrigerant tubing.
- Dispose of properly in accordance with federal or local regulations.

### **⚠ WARNING**

#### **Refrigerant under High Pressure!**

Failure to follow instructions below could result in an explosion which could result in death or serious injury or equipment damage.

System contains refrigerant under high pressure. Recover refrigerant to relieve pressure before opening the system. See unit nameplate for refrigerant type. Do not use non-approved refrigerants, refrigerant substitutes, or refrigerant additives.

### **⚠ WARNING**

#### **Hazardous Voltage!**

Failure to disconnect power before servicing could result in death or serious injury.

Disconnect all electric power, including remote disconnects before servicing. Follow proper lockout/tagout procedures to ensure the power can not be inadvertently energized. Verify that no power is present with a voltmeter.

The units described in this manual use R-454B refrigerant. Use ONLY R-454B rated service equipment or components with these units. For specific handling concerns with R-454B, contact your local Trane representative.

Installation, repair, removal, or disposal should be performed by trained service personnel.

At all times, Trane's maintenance and service guidelines shall be followed. If in doubt, contact Trane technical support for assistance.

## Service

Prior to initiating work on equipment, check the area with an appropriate refrigerant detector. Ensure the service personnel are properly trained regarding work in potentially toxic or flammable atmospheres. Ensure that the leak detection equipment being used is suitable for use with all applicable refrigerants, i.e. non-sparking, adequately

sealed, or intrinsically safe. Be aware that the refrigerant does not contain an odor.

If any hot work is to be conducted on the refrigerating equipment or any associated parts, appropriate fire extinguishing equipment shall be available on hand. A dry powder or CO<sub>2</sub> fire extinguisher should be located adjacent to the charging area.

At all times, Trane's maintenance and service guidelines shall be followed. If in doubt, contact Trane technical support for assistance.

All maintenance staff and others working in the local area shall be instructed on the nature of the work being carried out. Work in confined spaces shall be avoided.

## Ignition Source Mitigation

Do not use any sources of ignition when working on the refrigeration system.

Keep all ignition sources, including cigarette smoking, away from the site of installation, repair, removal or disposal, during which refrigerant can potentially be released to the surrounding space.

Survey the area around the equipment before initiating work to ensure no flammable hazards or ignition risks are present.

"No Smoking" signs shall be displayed.

Do not use devices that can be a source of ignition to accelerate defrosting of components. Use only defrost and cleaning procedures recommended by Trane. Do not pierce or burn.

## Ventilation

Ensure that the area is in the open or that it is adequately ventilated before breaking into the system or conducting any hot work. A degree of ventilation shall continue during the period that the work is carried out. The ventilation should safely disperse any released refrigerant and preferably expel it externally into the atmosphere. If present, check that the ventilation system, including outlets, are operating adequately and are not obstructed.

## Refrigerating Equipment

Refrigerant piping or components should not be installed in locations where substances which may corrode them are present.

Check that equipment hazard markings are visible and legible. Replace them if they are not.

For equipment using secondary fluids, like water or glycol, check that refrigerant is not present in the secondary fluid loop before conducting any hot work.

## Electrical Devices

Do not apply power to the circuit if a fault exists which compromises safety. If the fault cannot be corrected immediately, but it is necessary to continue operation, an



## A2L Information

adequate temporary solution shall be used. This shall be reported to the owner of the equipment, so all parties are advised.

Initial safety checks shall include:

- Cabling is not subject to wear, corrosion, excessive pressure, vibration, sharp edges, or any other adverse environmental effects. Account for the effects of aging or continual vibration from sources such as compressors or fans.
- Capacitors are discharged. This shall be done in a safe manner to avoid possibility of sparking.
- No live electrical components and wiring are exposed while charging, recovering, or purging the system.
- Verify continuity of earth bonding.
- Replace electrical components with Trane replacement parts, or those meeting the same ratings and qualified for flame arrest protection, UL LZGH2 category.

### Leak Detection

Never use an open flame to detect leaks. A halide torch should not be used. Use only approved leak detection methods per this instruction manual.

The following leak detection methods are deemed acceptable for all refrigerant systems.

Electronic leak detectors may be used to detect refrigerant leaks but, in the case of flammable refrigerants, the sensitivity may not be adequate, or may need re-calibration. (Detection equipment shall be calibrated in a refrigerant-free area.) Ensure that the detector is not a potential source of ignition and is suitable for the refrigerant used. Leak detection equipment shall be set at a percentage of the LFL gas (25% maximum) is confirmed.

Leak detection fluids are also suitable for use with most refrigerants but the use of detergents containing chlorine shall be avoided as the chlorine may react with the refrigerant and corrode the copper pipe-work.

Examples of leak detection fluids are:

- Bubble method
- Fluorescent method agents

If a leak is suspected, all naked flames shall be removed/ extinguished.

If a refrigerant leak is found which requires brazing, all refrigerant shall be recovered from the system, or isolated (by means of shut off valves) in a part of the system remote from the leak.

### Refrigerant Removal and Evacuation

When breaking into the refrigerant circuit to make repairs – or for any other purpose – conventional procedures shall be used. However, for flammable refrigerants it is important that best practice be followed, since flammability is a consideration.

The following procedure shall be adhered to:

1. Safely remove refrigerant following local and national regulations.
2. Evacuate.
3. Purge the circuit with inert gas.
4. Evacuate (optional for A2L).
5. Continuously flush or purge with inert gas when using flame to open circuit.
6. Open the circuit.

Prior to refrigerant removal, open all appropriate valves, including solenoid and electronic expansion valves (EXVs). Use control settings, where available. When not available, manually open all electronically controlled valves using acceptable service procedures.

The recovery equipment shall be in good working order with instructions available. Equipment shall be suitable for the recovery of the flammable refrigerant. For specific handling concerns, contact the manufacturer. Ensure all hose connections are checked for tightness to avoid refrigerant leaks.

The refrigerant shall be recovered into the correct recovery cylinders if venting is not allowed by local and national codes. Do not mix refrigerants in recovery unit and especially not in cylinders.

Refrigerant recovery unit should be purged with an inert gas after each use or before using with a different refrigerant Class – for example, A2L to A1.

If compressors or compressor oils are to be removed, ensure that they have been evacuated to an acceptable level to make certain that flammable refrigerant does not remain within the lubricant. The compressor body shall not be heated by an open flame or other ignition sources to accelerate this process. When oil is drained from a system, it shall be carried out safely.

The system shall be purged with oxygen-free nitrogen to render the appliance safe for flammable refrigerants. This process might need to be repeated several times. Compressed air or oxygen shall not be used for purging refrigerant systems.

The system shall be vented down to atmospheric pressure to enable work to take place.

The outlet for the vacuum pump shall not be close to any potential ignition sources, and ventilation shall be available.

### Refrigerant Charging

In addition to conventional charging procedures, the following requirements shall be followed.

- Ensure that contamination of different refrigerants does not occur when using charging equipment.
- Hoses or lines shall be as short as possible to minimize the amount of refrigerant contained in them.
- Cylinders shall be kept in an appropriate position according to the instructions.

- Ensure that the refrigerating system is earthed prior to charging the system with refrigerant.
- Label the system when charging is complete (if not already).
- Extreme care shall be taken not to overfill the refrigerating system.

Prior to recharging the system, it shall be pressure-tested with the appropriate purging gas. The system shall be leak-tested on completion of charging but prior to commissioning. A follow up leak test shall be carried out prior to leaving the site.

Prior to refrigerant charging, open all appropriate valves, including solenoid and electronic expansion valves (EXVs). Use control settings, where available. When not available, manually open all electronically controlled valves using acceptable service procedures.

## Decommissioning

Before carrying out the decommissioning procedure, it is essential that the trained service personnel is completely familiar with the equipment and all its details. It is recommended good practice that all refrigerants are recovered safely. Prior to the task being carried out, an oil and refrigerant sample shall be taken in case analysis is required prior to re-use of recovered refrigerant. It is essential that electrical power is available before the task is commenced.

1. Become familiar with the equipment and its operation.
2. Isolate system electrically.
3. Before attempting the procedure, ensure that:
  - a. Mechanical handling equipment is available, if required, for handling refrigerant cylinders.
  - b. All personal protective equipment is available and being used correctly.
  - c. The recovery process is supervised at all times by a competent person.
  - d. Recovery equipment and cylinders conform to the appropriate standards.
4. Pump down refrigerant system, if possible.
5. If a vacuum is not possible, make a manifold so that refrigerant can be removed from various parts of the system.
6. Make sure that cylinder is situated on the scales before recovery takes place.
7. Start the recovery machine and operate in accordance with instructions.
8. Do not overfill cylinders (no more than 80% volume liquid charge).
9. Do not exceed the maximum working pressure of the cylinder, even temporarily.
10. When the cylinders have been filled correctly and the process completed, make sure that the cylinders and

the equipment are removed from site promptly and all isolation valves on the equipment are closed off.

11. Recovered refrigerant shall not be charged into another refrigerating system unless it has been cleaned and checked.
12. When equipment has been decommissioned, attach a signed label which includes the date of decommissioning.

## A2L Application Considerations

This product is listed to UL standard 60335-2-40, Household and Similar Electrical Appliances – Safety – Part 2-40: Particular Requirements for Electrical Heat Pumps, Air-Conditioners and Dehumidifiers, which defines safe design and use strategies for equipment using A2L refrigerants. This standard limits the refrigerant concentration in a space in the event of a refrigerant leak. To meet the requirements, the UL standard defines minimum room area, refrigerant charge limit, minimum circulation airflow and/or ventilation airflow requirements, and limits the use of ignition sources in spaces. The standard may require a unit refrigerant leak detection system.

For equipment with R-454B and charge amounts less than or equal to 3.91 lbs per circuit, this UL standard does not prescribe a room area limit and does not require a refrigerant leak detection system or any circulation airflow or ventilation airflow mitigation strategies. However, ignition sources in ductwork must be evaluated.

Depending on the application, a specific requirement of ANSI/ASHRAE Standard 15, Safety Standard for Refrigeration Systems, could be more stringent than UL 60335-2-40 requirements. See *Refrigeration Systems and Machinery Rooms Application Considerations for Compliance with ASHRAE® Standard 15-2022 Application Engineering Manual* (APP-APM001\*-EN) for more information.

## Ignition Sources in Ductwork

Do not install open flames in the ductwork. Hot surfaces exceeding 700°C (1290°F) should not be installed in the ductwork unless the average airflow velocity is not less than 1.0 m/s (200 ft/min) across the heater and proof of airflow is verified before system is energized.

Electric heaters can exceed the surface temperature limit if airflow distribution is poor, or insufficient airflow is provided over the heater.

Surface temperatures of most gas heaters do not exceed the surface temperature limits due to ANSI construction requirements.

## Ignition Sources in Unit

This UL-listed unit does not contain any ignition sources. All potential ignition sources, (including factory or field installed accessory electric heaters, gas heaters, relays, and contactors) were evaluated during product UL listing.



## A2L Information

### Minimum Room Area Limits (Refrigerant charge greater than 3.91 lb per circuit)

Equipment with R-454B charge amounts greater than 3.91 lb per circuit may require additional circulation or ventilation airflow mitigation strategies. In this case, two minimum room area ( $A_{min}$ ) thresholds:

- The first threshold defines when equipment serving a single room is required to provide circulation airflow, either continuous or activated by a leak detection system. A ducted system requires circulation airflow

unless the smallest room it serves is larger than the adjusted  $A_{min}$  threshold. This product contains a leak detection system if a circuit charge is greater than 3.91 lbs. As a result, no further leak detection system evaluation is required.

- The second threshold defines when additional ventilation airflow is required. If the room area, A or TA, is below the adjusted  $A_{min}$  or  $TA_{min}$  threshold, additional ventilation is required to remove refrigerant in the event of a leak. Refer to UL 60335-2-40 Clause GG.8 and ANSIASHRAE Standard 15 Section 7 for natural and mechanical ventilation requirements.

**Table 6. Minimum room area**

Model	Charge Range		Minimum Room Area	
	lbs	kg	ft <sup>2</sup>	m <sup>2</sup>
(T,Y)ZK036	7-7.4	3.1-3.3	104.8-110.8	9.7-10.2
(T,Y)ZK048	7-7.4	3.1-3.3	104.8-110.8	9.7-10.2
(T,Y)ZK060	7-7.4	3.1-3.3	104.8-110.8	9.7-10.2
(T,Y)ZK072	7.6-8	3.4-3.6	113.8-119.8	10.5-11.1
(T,Y)ZK090	8.6-9.2	3.8-4.1	128.7-137.7	11.9-12.7
(T,Y)ZK102	8.2-8.3	3.7-3.7	122.7-124.2	11.4-11.5
(T,Y)ZK120	10-10.2	4.5-4.6	149.7-152.7	13.9-14.1
(T,Y)ZK150	13.2-13.9	5.9-6.2	197.6-208.1	18.3-19.3
(T,Y)ZK180	12.8-13.5	5.7-6.1	191.6-202.1	17.8-18.7
(T,Y)ZK210	15.4-16	6.9-7.2	230.6-239.6	21.4-22.2
(T,Y)ZK240	15.4-16	6.9-7.2	230.6-239.6	21.4-22.2
(T,Y)ZK300	16-16.6	7.2-7.5	239.6-248.5	22.2-23

### Minimum Room Area ( $A_{min}$ ) Adjustments

Use equation below to adjust the minimum room area, as applicable, based on the unit's installation height, altitude, and occupancy level it serves.

$$A_{min.adj} = \text{Nameplate } A_{min} \times \text{Altitude Adj} \times \text{Height Adj} \times F_{Occ}$$

Multiply the altitude adjustment factor in the table below by  $A_{min}$  listed on the unit nameplate or in the Installation, Operation, and Maintenance (IOM) manual.

**Table 7. Altitude adjustment factor**

Altitude (ft)	Sea Level to 2000	2001 to 4000	4001 to 6000	6001 to 8000	8001 to 10000	10001 to 12000	12001 to 14000	14001 to 15000	Over 15000
$A_{min}$ Adjustment	1	1.05	1.11	1.17	1.24	1.32	1.41	1.51	1.57

In addition,  $A_{min}$  can be adjusted if the unit is installed in a room at a height that is higher than the minimum height shown on the unit. To adjust  $A_{min}$ , multiply by the ratio of the unit minimum release height (in meters) / actual release height (in meters). Use 0.6 m in the ratio for unit minimum installation heights less than or equal to 0.6 m.

For institutional occupancies, ASHRAE Standard 15 applies an additional adjustment factor  $F_{Occ}$  to the amount

of a charge allowed in a space. To calculate the adjusted  $A_{min}$  for institutional occupancies, multiply the  $A_{min}$  on the nameplate by two.

#### EXAMPLE 1: 20 Ton Packaged Rooftop Multi-Zone VAV System Serving an Institutional Occupancy Space

The packaged unit serves 7600 ft<sup>2</sup> of a nursing home located at an attitude of 4000 ft. The unit has two equally charged 10 ton refrigeration circuits. Each circuit has 12 lbs



of refrigerant with a minimum room area requirement of 180 ft<sup>2</sup> with a 2.2 m release height.

$$TA_{\text{min.adj}} = 180 \text{ ft}^2 \times 1.05 \times 2 = 378 \text{ ft}^2$$

No additional ventilation is required.

### **EXAMPLE 2: 10 Ton Split System Serving a Single Commercial Occupancy Space**

The split system serves a 1500 ft<sup>2</sup> manufacturing space at 5000 ft altitude. The final installed charge of the single circuit 10 ton unit is 20 lb. The unit has an open return with a release height of 1 m and ducted supply air. The unit  $A_{\text{min}}$  is 660 ft<sup>2</sup>.

$$A_{\text{min.adj}} = 660 \text{ ft}^2 \times 1.11 = 733 \text{ ft}^2$$

No additional ventilation is required.

### **Determining Room Area (A or TA)**

The room area (A) is the room area enclosed by the projection to the floor of the walls, partitions, and doors of the space that the equipment serves. For ducted systems, total room area (TA) of all rooms connected by ducts, may be used instead of A.

Rooms connected by drop ceilings only are not considered a single room.

Rooms on the same floor of the building, and connected by an open passageway, can be considered part of the same room if the passageway is a permanent opening, extends to the floor and is intended for people to walk through.

Adjacent rooms on the same floor of the building and connected by permanent openings in the walls and/or doors between rooms (including gaps between the wall and the floor), can be considered part of the same room if the openings meet the following criteria.

- The opening is permanent and cannot be closed.

- Openings extending to the floor, such as door gaps, need to be at least 20 mm above the floor covering surface.
- Natural ventilations opening areas must meet the requirements of ANSIASHRAE Standard 15-2022, Section 7.2.3.2.

Rooms that are connected by a mechanical ventilation system can be considered a single room area if the mechanical ventilation system meets the requirements of ANSIASHRAE Standard 15-2022, Section 7.6.4.

### **Leak Detection System (Refrigerant charge greater than 3.91 lb per circuit)**

The leak detection system consists of one or more refrigerant detection sensors. When the system detects a leak, the following mitigation actions will be initiated until refrigerant has not been detected for at least 5 minutes:

- Energize the supply fan(s) to deliver a required minimum amount of circulation airflow.
- Disable compressor operation.
- Provide an output signal to fully open all zoning dampers, such as VAV boxes.
- Provide an output to energize additional mechanical ventilation (if needed).
- Units without airflow proving will disable electric heat sources.

Building fire and smoke systems may override this function.

If the refrigerant sensor has a fault, is at the end of its life, or is disconnected, the unit will initiate the mitigation actions. Mitigation actions may be verified by disconnecting the sensor.

The refrigerant sensors do not need service. Use only manufacturer-approved sensors when replacement is required.

# Installation

## ⚠ WARNING

### Heavy Object!

Failure to follow instructions below could result in unit dropping which could result in death or serious injury, and equipment or property-only damage. Ensure that all the lifting equipment used is properly rated for the weight of the unit being lifted. Each of the cables (chains or slings), hooks, and shackles used to lift the unit must be capable of supporting the entire weight of the unit. Lifting cables (chains or slings) may not be of the same length. Adjust as necessary for even unit lift.

## NOTICE

### Roof Damage!

System contains oil and refrigerant under high pressure. Roofs should be protected from exposure to oils and refrigerant in the system. If rooftop is not protected, damage to the roof may occur.

**Important:** Refer to local building codes for proper installation. All installation must comply with local building codes.

## Horizontal Units

If the unit is installed at ground level, elevate it above the snow line. Provide concrete footings at each support location with a **full perimeter** support structure or a slab foundation for support. Refer to the weights information in the Dimensions and Weights chapter for unit operating and point loading weights when constructing a footing foundation.

If anchoring is required, anchor the unit to the slab using hold down bolts or isolators. Isolators should be installed to minimize the transmission of vibrations into the building.

## ⚠ WARNING

### Risk of Roof Collapsing!

Failure to ensure proper structural roof support could cause the roof to collapse, which could result in death or serious injury and property damage. Confirm with a structural engineer that the roof structure is strong enough to support the combined weight of the roofcurb, the unit, and any accessories.

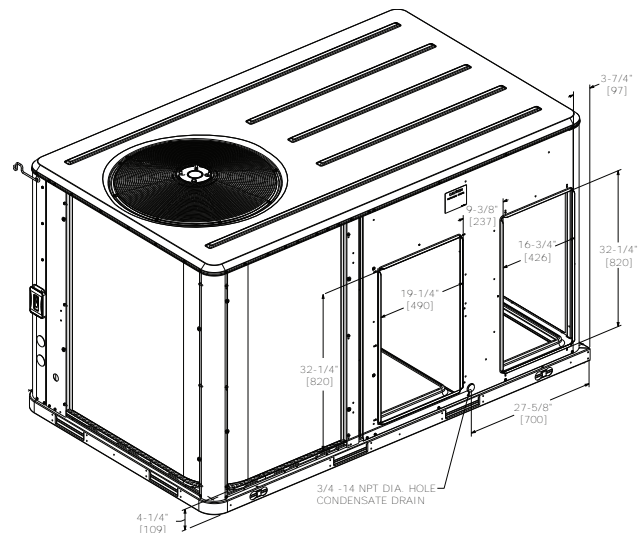
For rooftop applications, confirm the roof is strong enough to support the combined unit and support structural weight. Refer to unit and corner weights (center of gravity) dimensions in the Dimensions and Weights section for the unit operating weights. If anchoring is required, anchor the unit to the roof with hold-down bolts or isolators.

Check with a roofing contractor for proper waterproofing procedures.

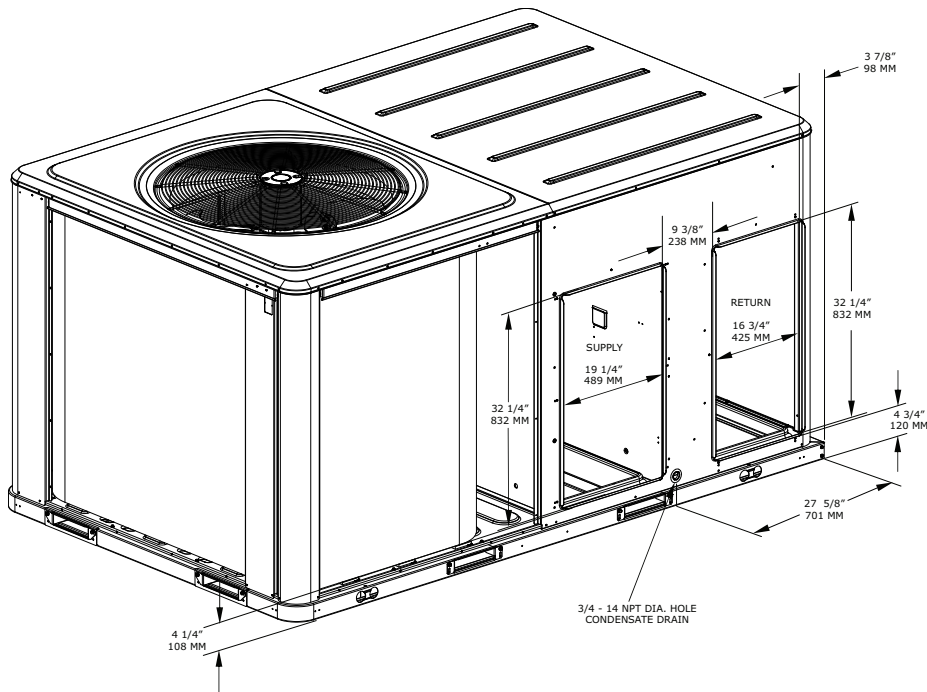
## Ductwork

Supply and return air openings as viewed from the rear of the unit are shown in the following drawings.

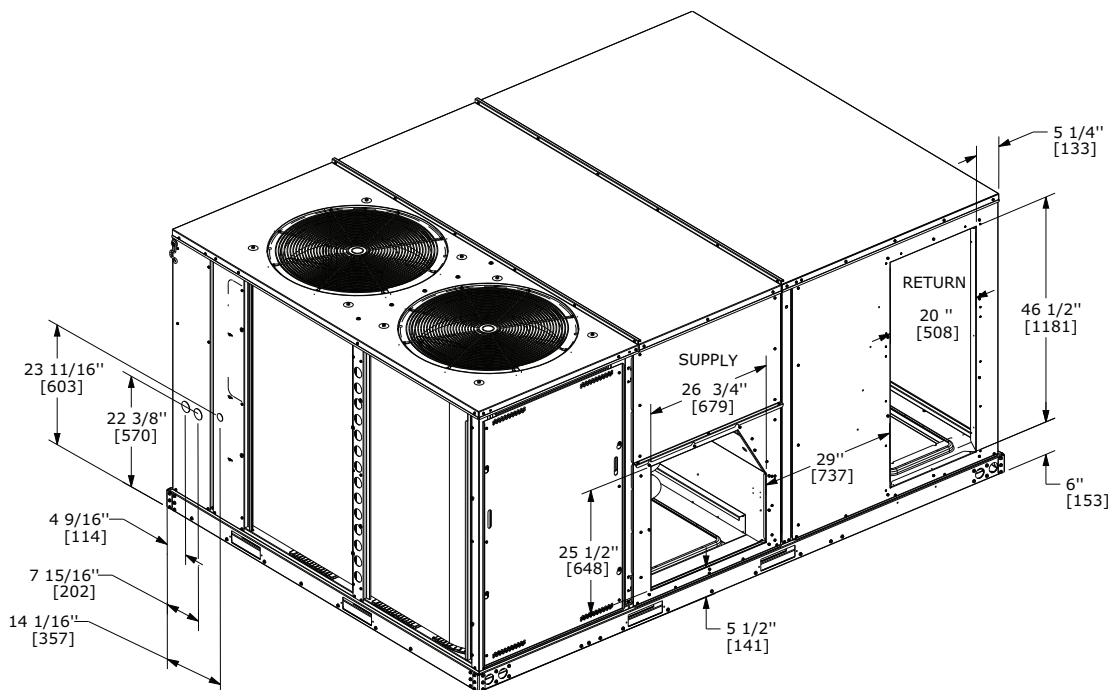
**Figure 31. B.0 cabinet – horizontal airflow supply/return**



**Figure 32. C.0 cabinet – horizontal airflow, supply and return**



**Figure 33. D.0 and D.1 cabinets – horizontal airflow, supply and return**



Supply and return air openings as viewed from a downflow configuration are shown in the following drawings.

Elbows with turning vanes or splitters are recommended to minimize air noise due to turbulence and to reduce static pressure.

When attaching the ductwork to the unit, provide a water tight flexible connector at the unit to prevent operating sounds from transmitting through the ductwork.

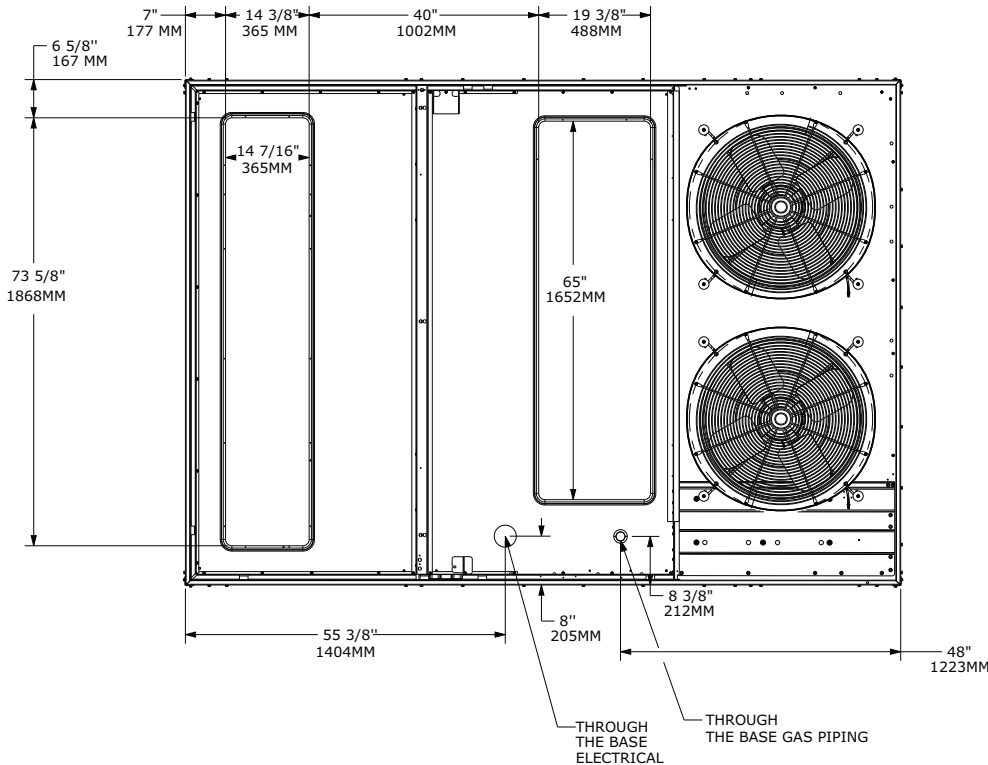
To allow access for fan and fresh air option servicing, do not attach ductwork over panel above the supply opening.

All outdoor ductwork between the unit and the structure should be weather proofed after installation is completed.



# Installation

Figure 34. D.0 and D.1 cabinets – downflow airflow supply/return, through-the-base utilities



**Note:** No minimum clearance is required from duct to combustible surfaces.

## Roof Curb

### Downflow

The roof curbs for these units consists of a **full perimeter** enclosure to support the unit just inside of the unit base rail. The C.0 cabinet units contain a support base alignment rail and will extend past the end of the roof curb.

Before installing the roof curb, verify:

- It is the correct curb for the unit.
- Necessary gaskets and hardware are available.
- Confirm required clearance for installation and operation.
- The curb should be level and square. The top surface of the curb must be level in order to confirm an adequate curb to unit seal.

Verify that appropriate materials were used in the construction of roof and ductwork. Combustible materials should not be used in the construction of ductwork or roof curb that is in close proximity to heater elements or any hot surface. Any combustible material on the inside of the unit base should be removed and replaced with appropriate material.

Step-by-step curb assembly and installation instructions ship with each accessory roof curb kit. Follow the instructions carefully to confirm proper fit-up when the unit is set into place.

**Note:** To verify proper condensate flow during operation, the unit (and curb) must be level.

If the unit is elevated, a field constructed catwalk around the unit is strongly recommended to provide easy access for unit maintenance and service.

Recommendations for installing the supply air and return air ductwork joining the roof curb are included in the curb installation instructions. Curb ductwork must be fabricated and installed by the installing contractor before the unit is set into place.

**Important:** For sound consideration, cut only the holes in the roof deck for the ductwork penetrations. Do not cut out the entire roof deck within the curb perimeter.

**⚠ WARNING**

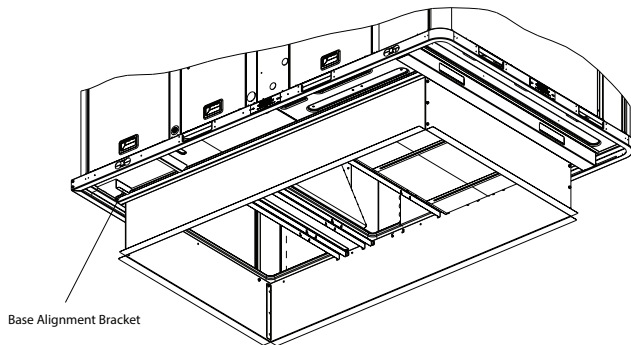
**Combustible Materials!**

Failure to maintain proper clearance between the unit and combustible materials could cause a fire which could result in death, serious injury, or property damage.

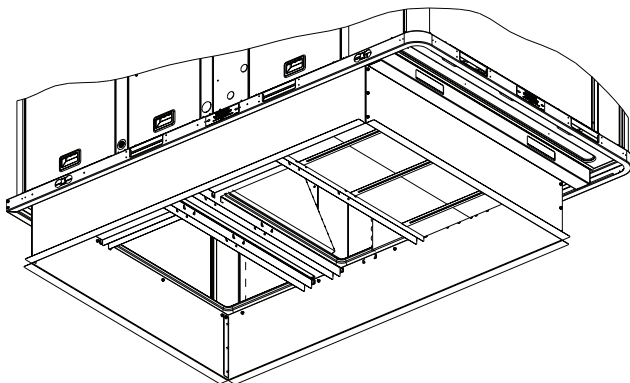
Refer to unit nameplate and installation instructions for proper clearances.

**Note:** C.0 units can be installed on B.0 (50 in. x 84 in.) roof curbs with the use of factory-installed base alignment brackets. These brackets create a 10-inch overhang on the front of the unit. See for installation on the B.0 (50 in. x 84 in.) curb and for installation on the C.0 (60 in. x 84 in.) curb.

**Figure 35.** View for base to roof curb alignment on C.0 cabinet on a 50 in. x 84 in. roof curb



**Figure 36.** View for base to roof curb alignment on C.0 cabinet on a 60-in. x 84-in. roof curb



**If a curb accessory kit is not used:**

- The ductwork can be attached directly to the factory-provided flanges around the unit supply and return air openings. Use flexible duct connections at the unit.
- For **built up** curbs supplied by others, gaskets must be installed around the curb perimeter flange and the supply and return air opening flanges.

## Rigging

### ⚠ WARNING

#### Heavy Object!

Failure to follow instructions below could result in unit dropping which could result in death or serious injury, and equipment or property-only damage. Ensure that all the lifting equipment used is properly rated for the weight of the unit being lifted. Each of the cables (chains or slings), hooks, and shackles used to lift the unit must be capable of supporting the entire weight of the unit. Lifting cables (chains or slings) may not be of the same length. Adjust as necessary for even unit lift.

See Dimensions and Weights section for rigging illustration, and center-of-gravity dimensional data. Refer to the typical unit operating weights table before proceeding.

1. Confirm unit does not need additional moves by fork lift.
2. Prepare unit for rigging as follows:
  - For B.0 and C.0 cabinet units: remove all drill screws fastening wood protection to metal base rail. Remove all screws securing wooden protection to wooden top crate.
  - For D.0 and D.1 cabinet units: remove the front and side base rail bumper protection.

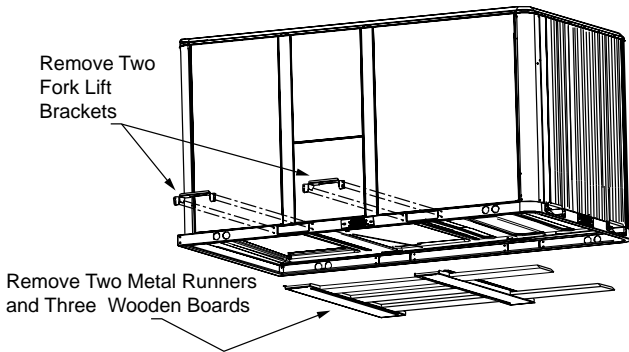
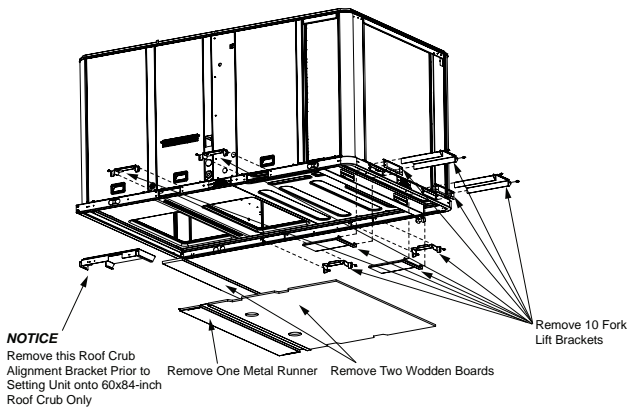
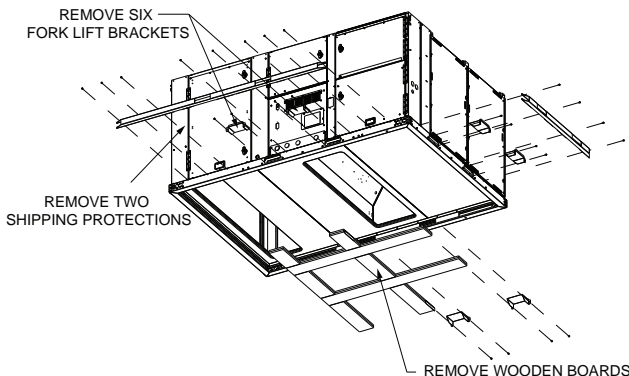
**Important:** For unit protection, the top crate should remain in place during lifting. If it must be removed prior to lifting, protect unit from damage. Top crate must be removed prior to operation.

### ⚠ WARNING

#### Improper Unit Lift!

Failure to properly lift unit in a LEVEL position could result in unit dropping and possibly crushing operator/technician which could result in death or serious injury, and equipment or property-only damage. Test lift unit approximately 24 inches (61 cm) to verify proper center of gravity lift point. To avoid dropping of unit, reposition lifting point if unit is not level.

3. Rig the unit as shown in the weights section. Attach adequate strength lifting slings to all four lifting brackets in the unit base rail. Do not use cables, chains, or slings except as shown.
4. Install a lifting bar, as shown in the Dimensions and Weights chapter, to protect the unit and facilitate a uniform lift. The minimum distance between the lifting hook and the top of the unit should be 7 feet.
5. Test-lift the unit to confirm it is properly rigged and balanced, make any necessary rigging adjustments.

**Figure 37. Fork pockets — B.0 cabinets**

**Figure 38. Fork pockets — C.0 cabinet**

**Figure 39. Fork pockets — D.0 and D.1 cabinets**


6. Lift the unit enough to allow the removal of base fork pocket protection components.
  - When C.0 cabinet units are installed on a smaller existing roof curb (50-inch x 84-inch) for replacement applications, do not remove alignment bracket. Use the bracket to properly align duct openings.

**Note:** See table in dimensions section for cabinet sizes.

7. Downflow units: Align the base rail of the unit with the curb rail while lowering the unit onto the curb. Confirm the gasket on the curb is not damaged while positioning the unit.

## General Unit Requirements

The following checklist is a summary of the steps required to successfully install a commercial unit. Installers should use this checklist to validate what is required in the installation process. It does not replace the detailed instructions called out in the applicable sections of this manual.

- Check the unit for shipping damage and material shortage. File a freight claim and notify appropriate sales representative.
- Verify correct model, options, and voltage from unit nameplate.
- Verify the installation location of the unit will provide the required clearance for proper operation.
- Assemble and install the roof curb (if applicable). Refer to the latest version of the curb installation instructions that ships with each curb kit.
- Fabricate and install ductwork. Secure ductwork to curb.
- If applicable, install pitch pocket for power supply through building roof.
- Rig the unit.
- Set the unit on the curb and verify the unit is level.
- Confirm unit-to-curb seal is tight, without buckles or cracks.
- Install and connect a condensate drain line to the evaporator drain connection.

## Factory Installed Economizer

- Confirm the economizer has been pulled out into the operating position. Refer to the *Low Leak Economizer Precedent™ Packaged Rooftop Units 6 to 25 Tons with Symbio™ Installation Instructions (ACC-SVN264\*-EN)* and *Economizer Precedent™ Packaged Rooftop Units with Symbio™ Controls Installation Instructions (ACC-SVN261\*-EN)* for proper position and setup.
- Install all access panels.

## External Vent Hood Installation

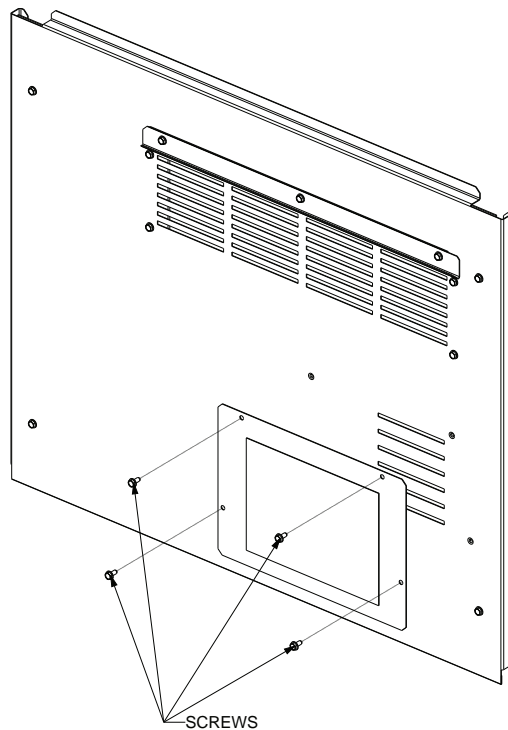
**Note:** This procedure applies to D.0 and D.1 cabinet gas heat models.

1. Remove and discard the cover plate located on the gas heat panel.

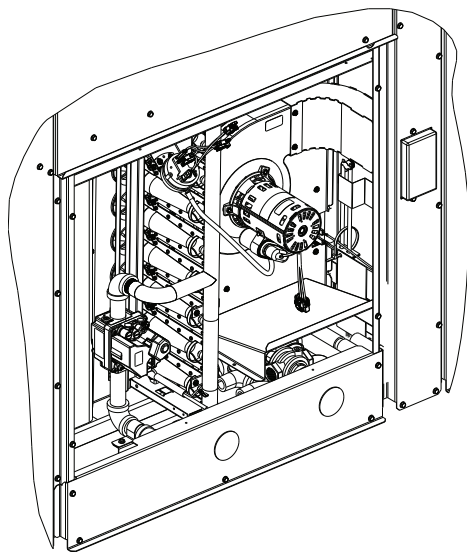
### **Important:**

- Read the label located on the cover plate before discarding.
- Do not discard the fastening screws! They will be needed to install the vent hood.



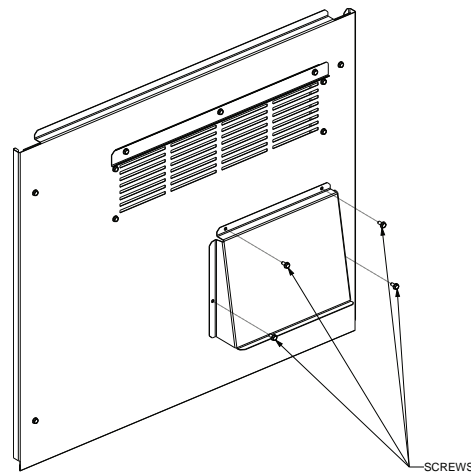
**Figure 40. Discard cover plate**


2. Locate the vent hood behind the panel.

**Figure 41. Vent hood shipping location**


**Note:** The above figure shows two-stage gas.  
 Modulating gas is similar.

3. Install the vent hood on the gas heat panel using the screws removed in [Step 1](#) and secure to the panel.

**Figure 42. Vent hood installation**


## Horizontal Discharge Conversion (B.0 and C.0 Cabinet Units)

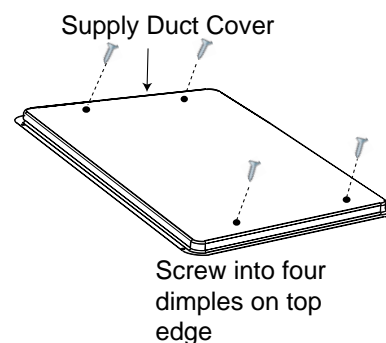
**Note:** B.0 and C.0 cabinet units move the supply cover to return opening and return cover to supply opening.

Supplies needed by installer for conversion: 3 ounce tube of high temperature RTV sealant (500°F / 260°C, similar to Dow Corning 736).

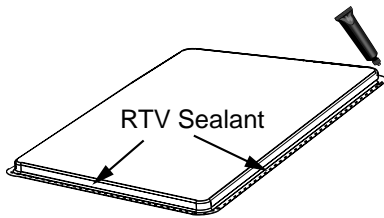
**Note:** Failure to use recommended sealant could result in unit performance loss.

If a unit is to be converted to a horizontal discharge, the following conversion must be performed:

1. Remove **RETURN** and **SUPPLY** duct covers.
2. Place **SUPPLY DUCT COVER** over downflow return opening (insulation side down).
3. Using self-drilling screws, (or screws removed from duct cover), screw through dimples to attach **DUCT COVER** to base.

**Figure 43. Supply duct cover**


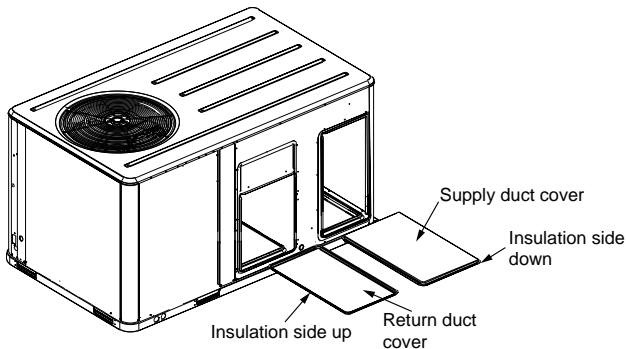
4. On original **RETURN DUCT COVER**, apply ¼-inch (6 mm.) continuous bead of 500°F RTV sealant around flange (opposite insulation side), as shown.

**Figure 44. Return duct cover**


5. Return duct cover (insulation side up) into supply opening.
  - a. Slide each duct cover in until inward edge of duct cover engages with the two retaining clips on the duct flange.
  - b. Secure outward edge of the duct cover with two screws.

**Notes:**

- If unit is equipped with Return Air Smoke Detector, refer to field conversion instructions for horizontal discharge before installing return air duct.
- If unit is equipped with Discharge Air Sensing option refer to the following section for proper tube positioning based on unit supply duct orientation / tonnage or see Discharge Air Sensing Kit Precedent™ Packaged Rooftop Units Installation Instructions (ACC-SVN240\*-EN) for more details.

**Figure 45. Supply and return opening**


6. After completing installation of the duct covers for horizontal discharge, proceed to TCO-1 instructions (two-stage gas only).

## Horizontal Discharge Conversion (D.0 and D.1 Cabinet Units)

D.0 and D.1 cabinet units require purchase of FIAHZDC001\* Horizontal Duct Conversion Kit. See included installation instructions for conversion.

## DAS Horizontal Conversions (Select Modulating Gas Heat Units)

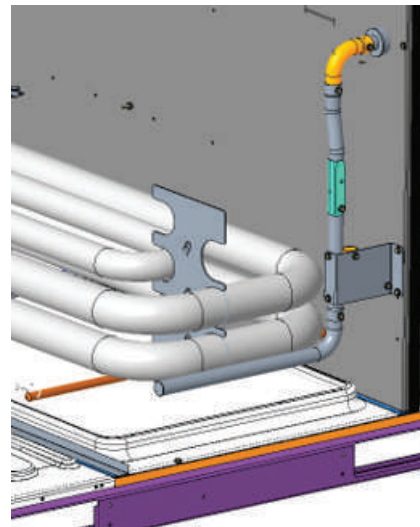
For units with model number digit 10 = B, DAS system conversion may be required:

- 6 to 12.5 ton units in B and C cabinets (with model number digit 10 = B): conversion required to the DAS pickup tubes for horizontal duct configurations.
- 12.5 to 25 ton units in D cabinet (with model number digit 10 = B): no conversion required. The factory-installed DAS system is applicable to both downflow and horizontal.

### Conversion to Horizontal — 6 Ton Low Modulating Gas heat YZK072\*\*\*BL

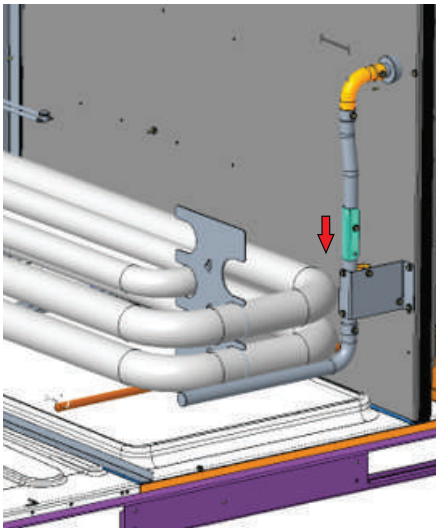
**Note:** An elbow is not required for this conversion.

1. Remove vertical slide bracket screw.
2. Slide the vertical slide bracket down to expose the holes in the vertical tube. See Figure 46, p. 44, Figure 47, p. 45, and Figure 48, p. 45.
3. Reattach bracket screw to secure vertical slide bracket in new position.

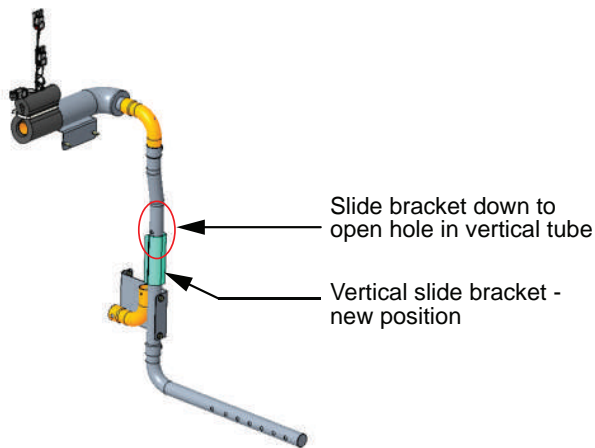
**Figure 46. DAS tubing factory installation for downflow**




**Figure 47. DAS tubing after conversion to horizontal**



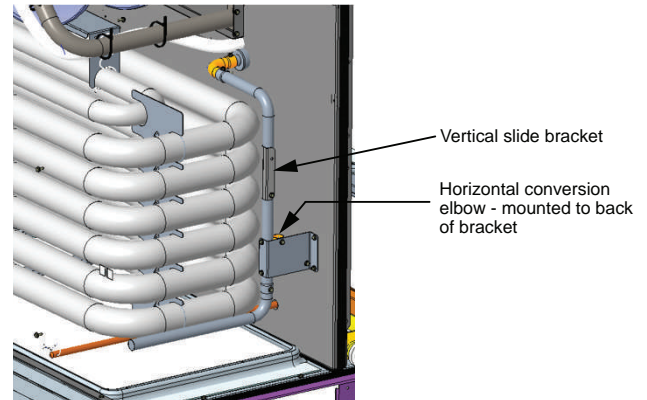
**Figure 48. Detail view of DAS tubing after converting to horizontal**



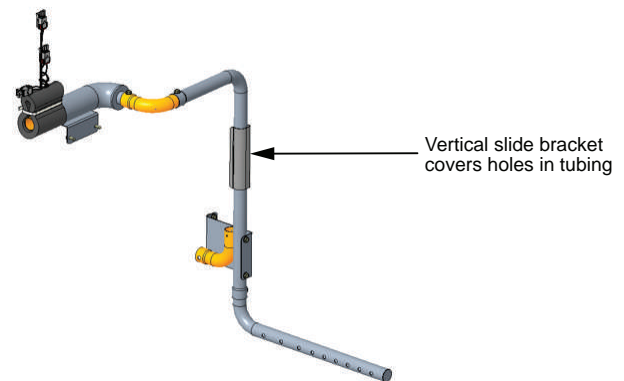
### Conversion to Horizontal — 6 Ton High Modulating Gas Heat YZK072\*\*\*BH and 7.5 to 12 Ton All Modulating Gas heat YZK(090-150)\*\*\*B(L,H)

The figures shown below are representative. The heat exchanger size and discharge air tube geometry may vary with unit configuration. Any variations do not affect the conversion process.

**Figure 49. DAS tubing factory installation for downflow**



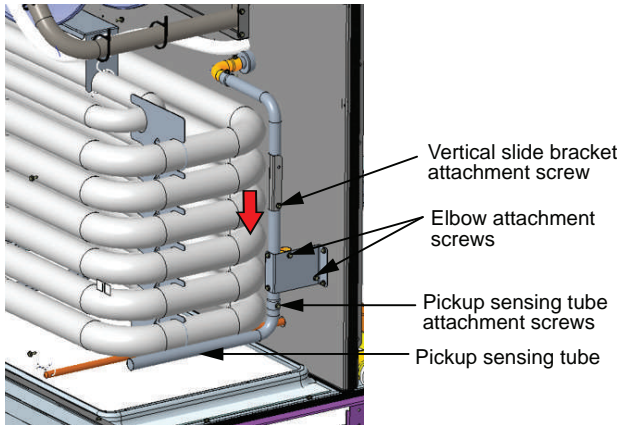
**Figure 50. DAS tubing detail view (downflow)**



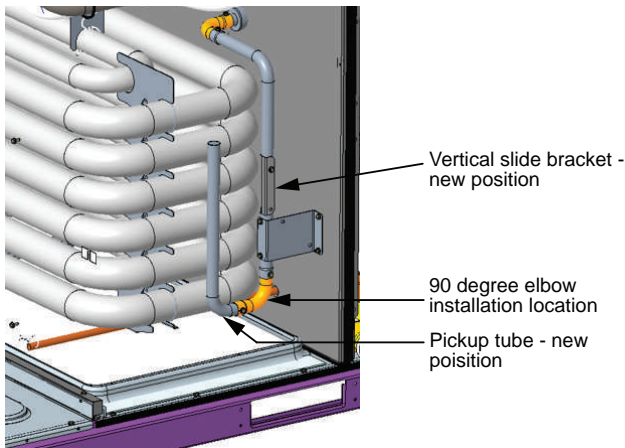
1. Reposition vertical slide bracket.
  - a. Remove bracket screw.
  - b. Slide the bracket down to expose the holes in the vertical tube. See [Figure 51, p. 46](#), [Figure 52, p. 46](#), and [Figure 53, p. 46](#).
2. Reattach bracket screw to secure vertical slide bracket in new position.
3. Remove elbow from support bracket.
4. Remove pickup tube from vertical tube.
5. Install 90 degree elbow as shown in [Figure 52, p. 46](#).
6. Reposition pickup tube as shown in [Figure 52, p. 46](#).

**Important:** To prevent stripping, do not over-tighten the attachment screws.

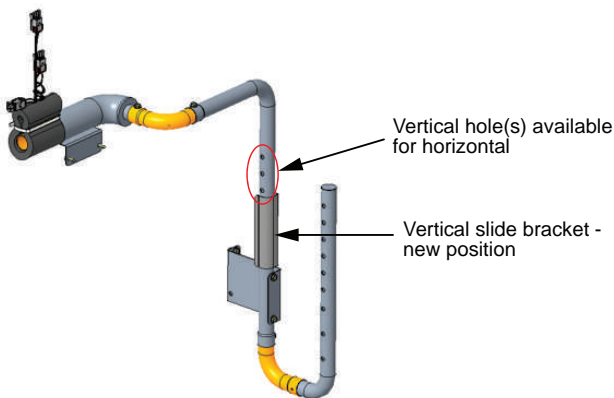
**Figure 51. DAS tubing conversion components**



**Figure 52. DAS tubing after conversion to horizontal**



**Figure 53. DAS tubing after conversion to horizontal - detail**



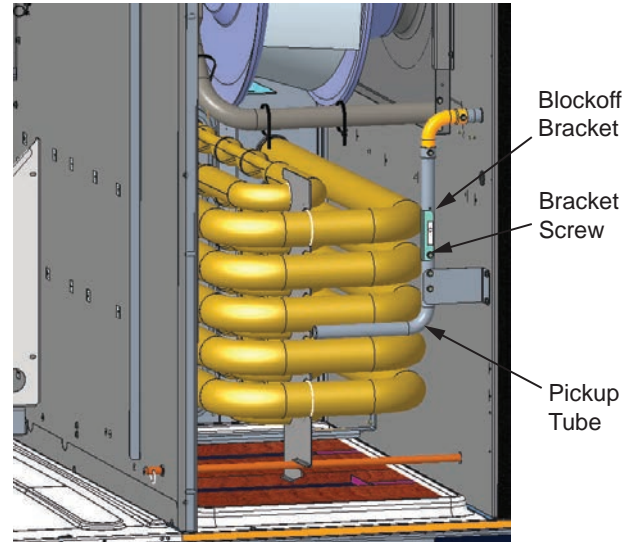
### Conversion to Horizontal — B Cabinet 3 to 5 Ton Ultra High Efficiency

To convert from DAS downflow to horizontal:

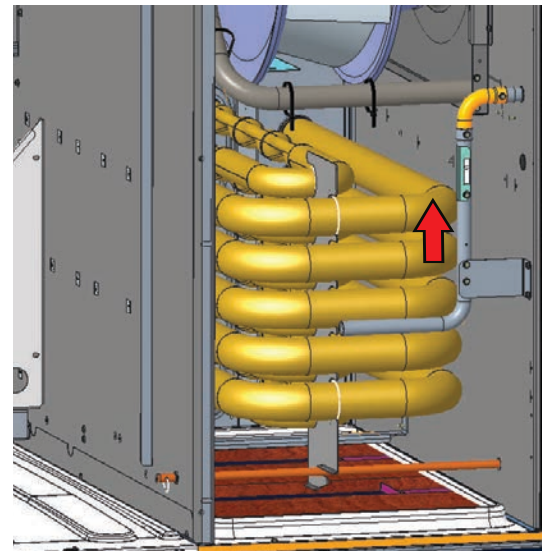
1. Remove bracket screw. See [Figure 54, p. 46](#).

2. Slide the bracket up to cover all the vertical holes. The number of holes on the vertical leg will vary depending on unit heat level. See [Figure 55, p. 46](#) through [Figure 57, p. 47](#)
3. Reattach bracket screw in new position.

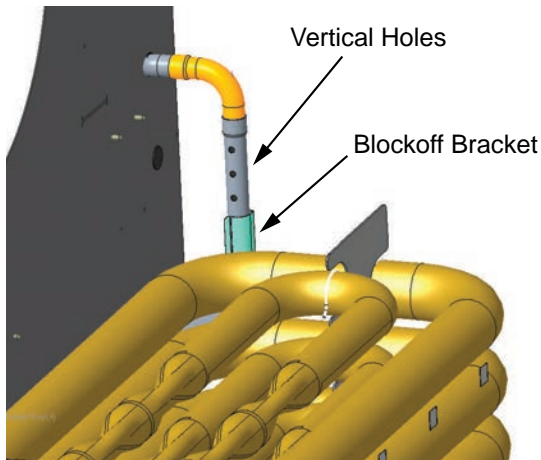
**Figure 54. DAS factory tubing for downflow**



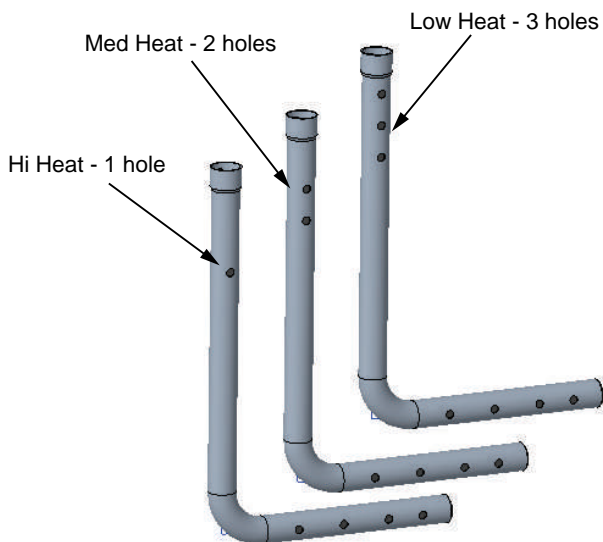
**Figure 55. DAS tubing after conversion to horizontal**



**Figure 56. Horizontal conversion — holes on pickup tube to be covered**



**Figure 57. Vertical hole differences**



## TCO1 Instructions

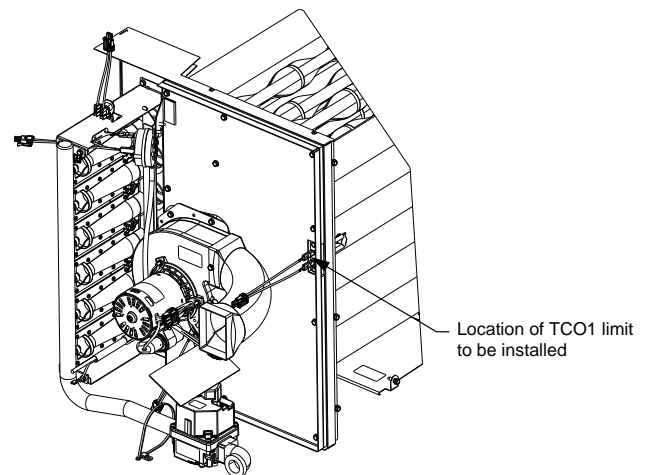
**Note:** For complete Gas Heat User information, Operation, Start-up, Shutdown and Maintenance refer to “Gas Heat Operation and Maintenance,” p. 83.

If the unit to be installed in horizontal configuration has a TCO1 tripping value different from the downflow configuration, replace TCO1 with the extra TCO1 limit switch shipped in the unit heater compartment as follows. If replacement is not required, no further action is required for TCO1.

1. Remove the heat section access panel.
2. Remove TCO1 from shipping location, which is attached to the combustion blower motor.
3. Replace and discard the existing TCO1 originally installed at the factory for downflow operation with the TCO1 shipped with the unit for horizontal operation.

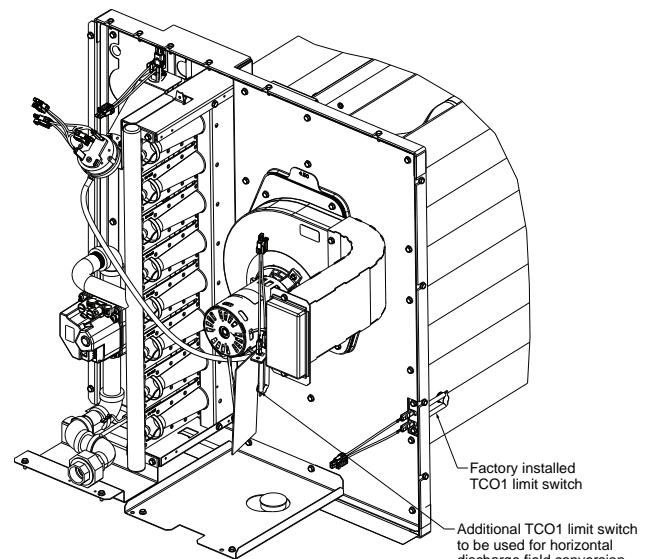
4. Replace heat section access panel.

**Figure 58. TCO1 instructions – B.0/C.0 cabinet**



YZK(036-120)\* - two stage gas heater

**Figure 59. TCO1 instructions – D.0/D.1 cabinet**



YZK(150-300)\* - two stage gas heater

**Note:** The TCO1 switch is attached by two screws in the location shown. The switch has short legs on it so use caution when sliding out of vestibule face during removal.

## Return Air Smoke Detector

### B.0, and C.0 Cabinet Units

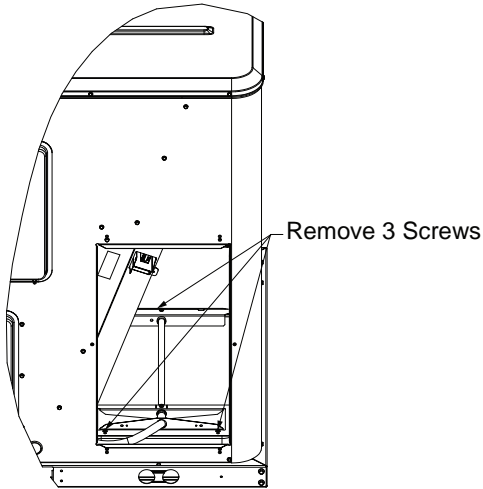
The factory installed Return Air Smoke Detector is installed in the downflow discharge position. No additional field setup is required.

If a unit is to be converted to Horizontal discharge, the following conversion must be performed:

## Installation

1. If the unit has an economizer, it must be pulled out in the operating position.
2. Remove the 3 screws from the mounting brackets. Refer to downflow view for screw locations.

**Figure 60. Downflow view**



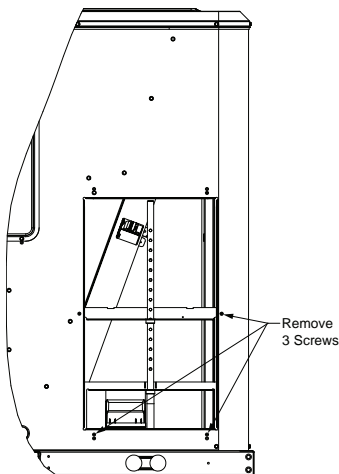
3. Lift the tube and bracket from the downflow duct opening. Rotate the tube and bracket assembly 180° ensuring that the holes on the sensing tube face away from the unit and face the return air ductwork.

**Notes:**

- Refer to horizontal views below.
- Ensure that the flexible tubing lies flat on the base pan surface.

4. Slide the top bracket down the sensing tube. Secure right side of the bracket to the middle duct cover screw hole shown in [Figure 61, p. 48](#). For B.0 and C.0 cabinets, secure the left side of bracket with self tapping screw.
5. Using the remaining 2 screws removed in [Step 2](#), secure the bottom bracket.

**Figure 61. Horizontal view**



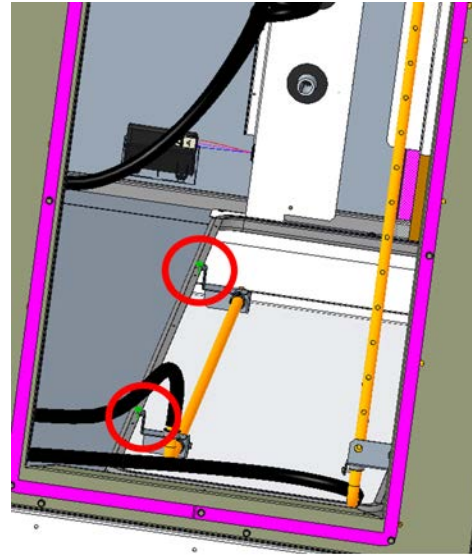
## D.0 and D.1 Cabinet Units

The factory installed return air smoke detector is installed in the downflow discharge position for D.0 and D.1 cabinet units. No additional field setup is required.

If a unit is to be converted to horizontal discharge, the following conversion must be performed.

1. If the unit has an economizer, it must be pulled out in the operating position.
2. Remove the two screws from the mounting brackets.

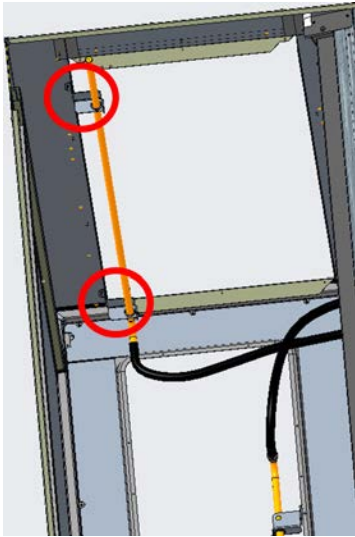
**Figure 62. Downflow bracket installation (view from horizontal return duct)**



3. Lift the tube and bracket from the downflow duct opening. Rotate the tube and bracket assembly 90 degrees and confirm the holes on the aluminium sensing tube face away from the unit and face the return air ductwork.



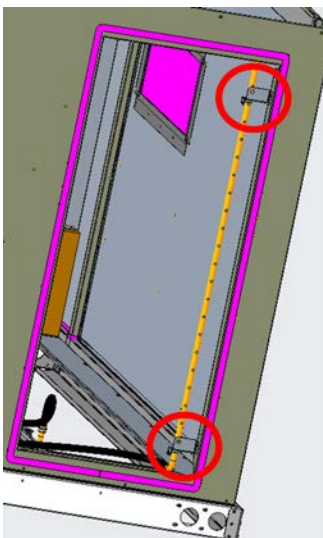
**Figure 63. Horizontal bracket installation (top view of unit)**



**Note:** Flexible tubing should lay flat on the base pan surface.

4. Slide the top bracket down the aluminium sensing tube.
  - For units with standard or low leak economizers, secure the tube to the top right side of the horizontal opening flange (right side when viewed from outside unit facing horizontal supply). See [Figure 64, p. 49](#).

**Figure 64. Horizontal bracket installation (view from horizontal return duct)**



5. Use the remaining two screws and bracket removed in [Step 2](#), secure the bottom bracket.

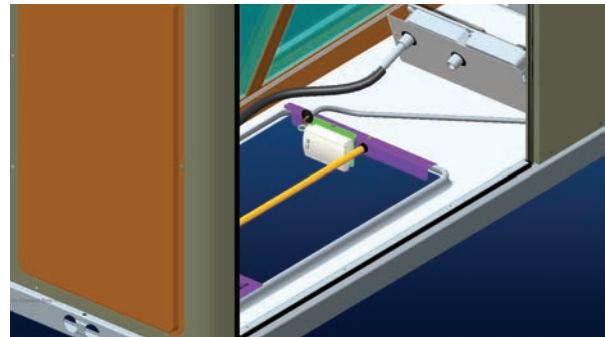
## Air-Fi® Wireless Communication Interface

The factory installed wireless communications interface is installed in the downflow discharge position.

If converting to horizontal discharge, perform the following:

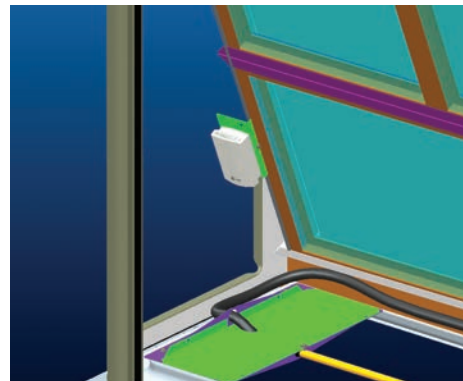
1. If the unit has an economizer, it must be pulled out in the operating position.
2. Remove the screw from the mounting bracket. Refer to downflow view for screw and bracket location.

**Figure 65. Wireless communication interface - downflow**



3. Mount the bracket in the horizontal discharge location. Refer to horizontal view for screw and bracket location.

**Figure 66. Wireless communication interface - horizontal**



**Note:** Cable ties must be removed to allow the cable to extend to the horizontal mounting location.



# Main Electrical Power Requirements

## ⚠ WARNING

### Hazardous Voltage w/Capacitors!

Failure to disconnect power and discharge capacitors before servicing could result in death or serious injury.

Disconnect all electric power, including remote disconnects and discharge all motor start/run capacitors before servicing. Follow proper lockout/tagout procedures to ensure the power cannot be inadvertently energized. For variable frequency drives or other energy storing components provided by Trane or others, refer to the appropriate manufacturer's literature for allowable waiting periods for discharge of capacitors. Verify with a CAT III or IV voltmeter rated per NFPA 70E that all capacitors have discharged.

## ⚠ WARNING

### Proper Field Wiring and Grounding Required!

Failure to follow code could result in death or serious injury.

All field wiring **MUST** be performed by qualified personnel. Improperly installed and grounded field wiring poses **FIRE** and **ELECTROCUTION** hazards. To avoid these hazards, you **MUST** follow requirements for field wiring installation and grounding as described in NEC and your local/state/national electrical codes.

1. Verify that the power supply complies with the unit nameplate specifications.
2. Inspect all control panel components and tighten any loose connections.
3. Connect properly sized and protected power supply wiring to a field-supplied/installed disconnect switch and to the main power terminal block (HTB1) in the unit control panel.
4. Install proper grounding wires to an earth ground. Refer to [Table 8, p. 50](#) for ground wire torque.

**Table 8. Ground wire torque**

Ground Wire Size (AWG)	Torque (in-lbs)
10 – 14	35
8	40
4 – 6	45
2/0 – 0	50

5. Units with factory installed circuit breakers may come equipped with an adjustable dial located on front of the circuit breaker. Refer to [“Pre-Start,” p. 61](#) for

instructions corresponding to adjustment of breaker dial (s).

## Electric Heat Requirements

1. Verify that the power supply complies with the electric heater specifications on the unit and heater nameplate.
2. Inspect the heater junction box and control panel and tighten any loose connections.
3. Check electric heat circuits for continuity.

## Low Voltage Wiring

Mount the indoor thermostat, zone sensor, or programmable zone sensor in accordance with the corresponding thermostat installation instructions. Install color-coded, weather-proof, multi-wire cable according to the field wiring instructions.

*Note: Refer to thermostat or zone sensor wire installation guide for proper wire gauge.*

## Through-the-Base Gas Installation

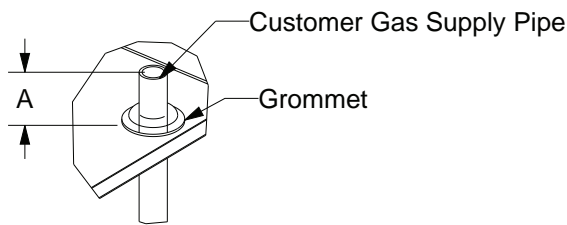
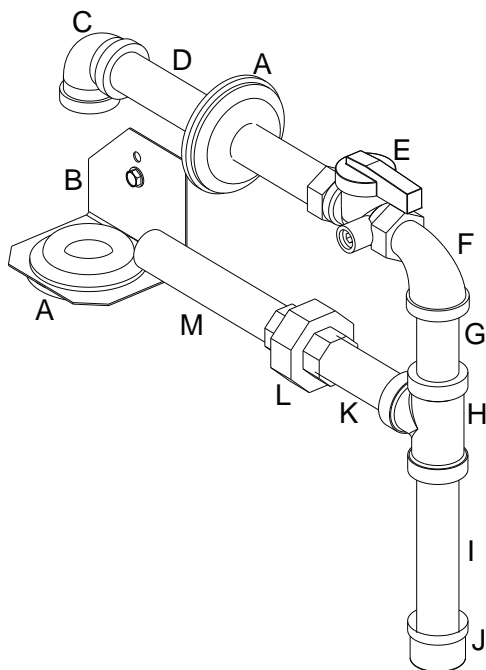
*Important: All phases of this installation must comply with national, state, and local codes. In absence of local codes, the installation must conform with American National Standard-Z223.1a-National Fuel Gas Code Latest Revision.*

*Note: For complete Gas Heat User information, Operation, Start-up, Shutdown and Maintenance refer to [“Gas Heat Operation and Maintenance,” p. 83.](#)*

1. Remove the access panel for the heat section on the front of the unit for field connections.
2. The gas piping assembly ships inside this section and includes the shut-off valve, a pressure tap for testing, and the necessary unions for field connection. For through the base access, remove the factory-provided cap from the base pan opening. See [Figure 67, p. 51](#) and [Figure 68, p. 51](#).
3. Route field piping through this hole to the dimension shown in .
4. Place the assembly through the cabinet opening shown in [Figure 68, p. 51](#) and [Figure 69, p. 51](#), and make the union connection to the field piping and to the gas train.

**Table 9. Through-the-base gas piping dimension**

Cabinet	Dimension A (inch)
B.0, and C.0	4 5/8
D.0 and D.1	1 3/16

**Figure 67. Through-the-base gas pipe height**

**DETAIL A**
**Figure 68. Through-the-base gas pipe assemblies for B.0 and C.0 cabinet units**


1/2-in. and 3/4-in., Gas Pipe Connection

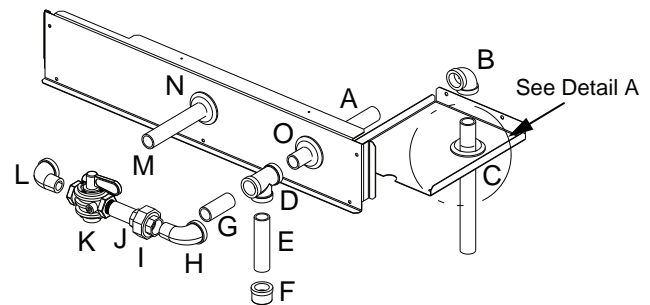
**Table 10. Through-the-base gas pipe assembly components for B.0 and C.0 cabinets**

Component	Description	Connection Size	
		1/2 inch	3/4 inch
A	Grommets	1/2	3/4
B	TBUG bracket	-	-
C	90° Elbow	1/2	3/4
D	Pipe fitting	1/2 x 7 1/4	3/4 x 6 1/2
E	Gas ball valve	1/2	3/4
F	Street elbow	1/2	3/4
G	Pipe fitting	1/2 x 2 1/2	3/4 x 2 1/4
H	Tee pipe	1/2	3/4
I	Pipe fitting	1/2 x 4	3/4 x 4

**Table 10. Through-the-base gas pipe assembly components for B.0 and C.0 cabinets (continued)**

Component	Description	Connection Size	
		1/2 inch	3/4 inch
J	Pipe cap	1/2	3/4
K	Pipe fitting	1/2 x 2 3/4	3/4 x 2
L	Pipe union	1/2	3/4
M	Pipe fitting	1/2 x 4 1/2	3/4 x 5 1/4

*Note: All modulating gas models use 3/4-inch gas piping.*

**Figure 69. Through-the-base gas pipe assembly for D.0 and D.1 cabinets**

**Table 11. Through-the-base gas pipe assembly for D.0 and D.1 cabinets**

Component	Description
A	Grommet
B	Grommet
C	Pipe Fitting (3/4-in. x 8 1/2-in.)
D	90° Elbow
E	Support Plate
F	Tee
G	Pipe Fitting (3/4-in. x 4-in.)
H	Cap
I	Pipe Fitting (3/4-in. x 2 1/2-in.)
J	90° Street Elbow
K	Pipe Union
L	Pipe Fitting (3/4-in. x 2 1/2-in.)
M	Gas Shut-off Valve
N	90° Street Elbow
O	Pipe Fitting (3/4-in. x 6 1/2-in.)

For detailed through-the-base gas installation instructions, refer to the *Through-the-Base Gas Piping Gas/Electric Packaged Units 3 to 25 Tons Installation Instructions (ACC-SVN17\*-EN)* provided with through-the-base gas installation kit.

## Requirements of Gas Heat

The unit gas train and optional through-the-base gas shut-off valve are rated at 0.50 PSIG maximum. A pressure reducing regulator is recommended to prevent this maximum from being exceeded. These components must be isolated during field gas piping test that exceed 0.50 PSIG.

**Important:** It is recommended that the field piping be capped prior to the unit gas train or optional through-the-base gas shut-off valve if present.

- Gas supply line properly sized and connected to the unit gas train.
- All gas piping joints properly sealed.
- Gas piping leak checked with a soap solution. If piping connections to the unit are complete, do not pressurize piping in excess of 0.50 PSIG or 14-inch w.c. to prevent component failure.
- Drip leg installed in the gas piping near the unit.
- Flue exhaust clear of any obstruction.
- Supply and manifold pressures should be checked during unit commissioning (see below tables).

**Table 12. Gas heat data - supply and manifold pressure requirements – two-stage gas**

	YZK(036-150)*		YZK(180-300)*		
	80,000 -250,000	250,000	320,000	400,000	
Heating Input Rate — Btu/h	80,000 -250,000	250,000	320,000	400,000	
Minimum Supply Gas Pressure NG/LP (in. w.c.)	4.5/11.5	4.5/11.5		6/11.5	
Maximum Supply Gas Pressure (in. w.c.)	14				
Manifold Gas Pressure – 1st Stage -NG (in. w.c.)	1.8	1.7	1.8	1.7	
Manifold Gas Pressure – 2nd Stage -NG (in. w.c.)	3.5	3.3	3.5	3.3	

**Table 13. Gas heat data - supply and manifold pressure requirements - modulating gas**

	Model number Digit 10 = B models YZK(072-300)*
Heating Input Rate — Btu/h	80,000 – 400,000
Minimum Supply Gas Pressure NG/LP (in. w.c.)	5/11.5
Maximum Supply Gas Pressure (in. w.c.)	14
Manifold Gas Pressure – Full Gas Input Rate -NG/LP (in. w.c.)	3.5/10

## Modulating Gas Heat

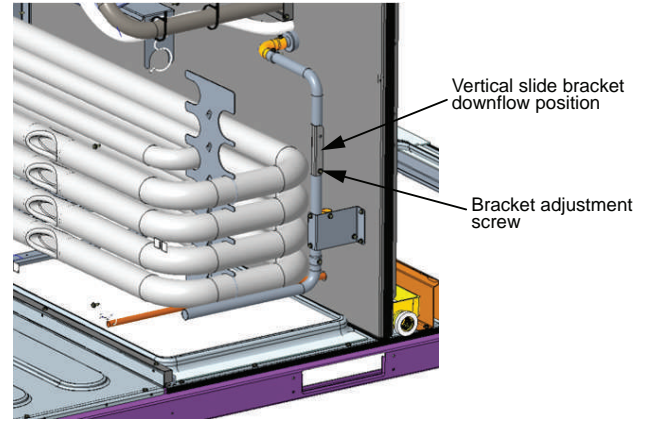
For models YZK(072,090,102, 120,150)\*\*\*B(H,L):

1. Confirm the vertical slide bracket on the DAS vertical tube is positioned to block all the hole(s) for downflow configuration.

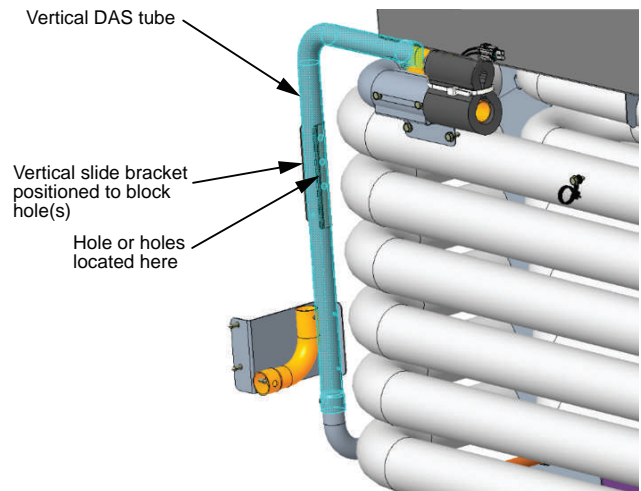
**Note:** Number of holes will vary. Verify bracket is covering all holes in the vertical tube, regardless of quantity.

2. Removal of horizontal duct supply cover is required to view DAS tubing located behind the heat exchanger tubes.

**Figure 70. Downflow position shown**



**Figure 71. Vertical tube hole(s) location**



**Table 14. Sizing natural gas pipe mains and branches**

Length of Pipe (Ft.)	Iron Pipe Size (IPS) Inches				
	1/2-in. Pipe	3/4-in. Pipe	1-in. Pipe	1¼-in. Pipe	1½-in. Pipe
15	76	176	345	750	1220
30	52	120	241	535	850
45	43	99	199	435	700
60	38	86	173	380	610
75	-	77	155	345	545

**Note:** Capacity of pipe of different diameters and lengths in Cu. Meter per Hr. with pressure drop of 74.6 Pa and specific gravity of 0.60.

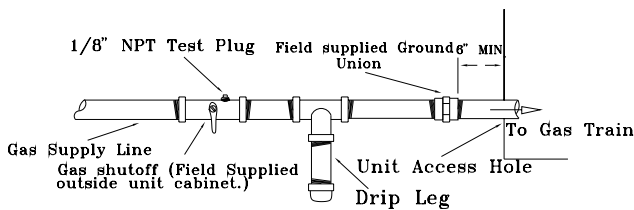


**Table 15. Iron pipe size (SI) millimeters**

Iron Pipe Size (SI) Millimeters					
Length of Pipe (Meters)	15 mm Pipe	20 mm Pipe	25 mm Pipe	32 mm Pipe	40 mm Pipe
4.6	2.15	4.98	9.76	21.23	34.54
9.1	1.47	3.39	6.82	15.14	24.06
13.7	1.21	2.80	5.63	12.31	19.82
18.3	1.07	2.43	4.89	10.76	17.27
22.9	—	2.18	4.38	9.76	15.40

**Note:** Capacity of pipe of different diameters and lengths in Cu. Meter per Hr. with pressure drop of 74.6 Pa and specific gravity of 0.60.

**Figure 72. Schematic diagram for field gas piping to units**



## Condensate Drain Configuration

### **⚠ WARNING**

#### **Hazardous Voltage!**

**Failure to disconnect power before servicing could result in death or serious injury.**

**Disconnect all electric power, including remote disconnects before servicing. Follow proper lockout/tagout procedures to ensure the power can not be inadvertently energized. Verify that no power is present with a voltmeter.**

An evaporator condensate drain connection is provided on each unit. Refer to “[Ductwork](#),” p. 38 for the appropriate drain location.

The B.0 and C.0 cabinet condensate drain pan is convertible. Refer to “[Ductwork](#),” p. 38 drawings. It can be converted to drain condensate from the front side of the unit or through the base.

#### **To convert drain condensate out the front of unit:**

1. Remove evaporator access panel, left control box door, and heat section panel.
2. Remove the support panel that the condensate drain pan exits through.
3. Slide the condensate drain pan out of the unit and rotate 180°.
4. Slide the condensate drain pan back into the unit. Align the drain with the grommeted opening in the rear

support panel and push until the coupling is seated in the grommet.

5. Replace the front support panel. Align the condensate drain pan support in the grommeted hole as the panel is put in place.
6. Replace evaporator access panel, left control box door, and heat section panel.

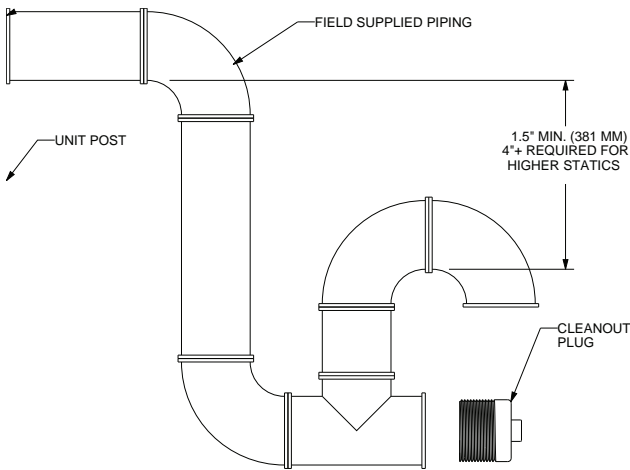
#### **To convert drain condensate through the base of unit:**

1. Remove evaporator access panel, left control box door, and heat section panel.
2. Remove the support panel that the condensate drain pan exits through.
3. Slide the condensate drain pan out of the unit.
4. Place on a level surface in the position it was removed from the unit.
5. Remove the plug knockout in the bottom of the drainpan to convert it to through the base drainage.
6. Plug the original condensate drain opening with a field supplied 3/4-inch NPT plug.
7. Slide the condensate drain pan back into the unit. Align the drain support with the grommeted opening in the rear support panel and push until the support is seated in the grommet.
8. Replace the front support panel. Align the plugged condensate drain pan coupling in the grommeted hole as the panel is put in place.
9. Replace evaporator access panel, left control box door, and heat section panel.

A condensate trap must be installed at the unit due to the drain connection being on the **negative pressure** side of the fan. Install the p-trap using the guidelines in [Figure 73](#), p. 54.

A condensate drain line must be connected to the p-trap. Pitch the drain lines at least 1/2-inch for every 10 feet of horizontal run to assure proper condensate flow. Do not allow the horizontal run to sag causing a possible double trap condition. This can result in condensate backup due to air lock.

**Figure 73. Condensate trap installation**



	Drain Pan Type Connection	
CABINET	STD	STAINLESS
B.0/C.0	3/4" NPT	3/4" NPT
D.0/D.1	1" PVC Socket	1" NPT

### Drain Pan Removal (Units with Condensate Overflow Switch Option)

Before drain pan removal, the switch wire must be disconnected from wire tie on panel and/or any tape before drain pan can be removed.

Avoid catching the wire on the bottom of indoor coil or any protrusion.

**Note:** When reversing the drain pan on some units, the condensate overflow switch will need to be moved to the second hole in its bracket to avoid contact with headers or indoor coil.

### Furnace Condensate Drain

Modulating gas units are equipped with a furnace condensate drain system to evacuate any condensation (water) that may form inside the heat exchanger during cooling system operation. The unit does not condense during heating operation. Neutralization is not necessary as the condensate drainage is water only and is not acidic.

### Filter Installation

The quantity of filters is determined by unit size. Refer to for filter sizes. Access to the filters is obtained by removing the filter access panel.

**Note:** Do not operate the unit without filters.

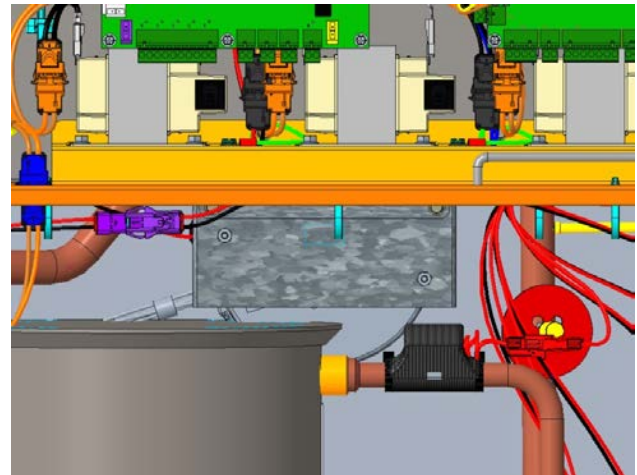
### Outdoor Motor Controllers

When either an outdoor motor or an outdoor motor controller fail, the motor and controller must be replaced together as received in the service kit since they are a

paired tuned drive/motor assembly. Failure to do so could result in loss of unit function.

In B.0 and C.0 cabinets, the outdoor motor controller is located below the control box in the condenser section. See figure below.

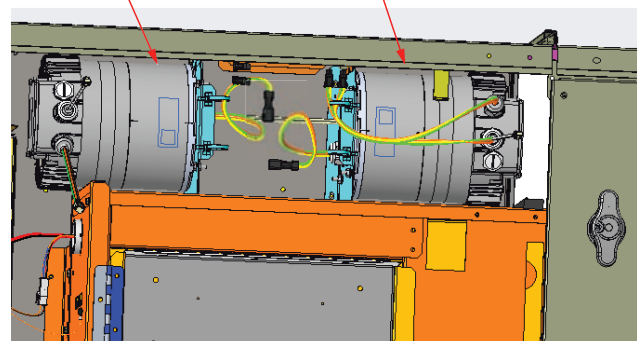
**Figure 74. Location of outdoor motor controllers – B.0 and C.0 cabinets**



For D.1 cabinets, the figure below illustrates the motor controllers are remotely mounted in the block-off directly above the front control panel. In D.1 cabinets, it is not required to replace both motor pairs.

**Figure 75. Location of outdoor motor controllers**

Controller 1 linked to Motor 1 (front motor closest to control panel)      Controller 2 linked to Motor 2 (rear motor)



## Field Installed Power Wiring

### ⚠ WARNING

#### Proper Field Wiring and Grounding Required!

Failure to follow code could result in death or serious injury.

All field wiring **MUST** be performed by qualified personnel. Improperly installed and grounded field wiring poses **FIRE** and **ELECTROCUTION** hazards. To avoid these hazards, you **MUST** follow requirements for field wiring installation and grounding as described in NEC and your local/state/national electrical codes.

An overall dimensional layout for the field installed wiring entrance into the unit is illustrated in the Dimensions and Weights chapter. See the following guidelines to confirm the unit supply power wiring is properly sized and installed.

Verify the power supply available is compatible with unit nameplate ratings. The available supply power must be within 10 percent of the rated voltage stamped on the nameplate. Use only copper conductors to connect the power supply to the unit.

### NOTICE

#### Use Copper Conductors Only!

Failure to use copper conductors could result in equipment damage as the equipment was not designed or qualified to accept other types of conductors.

**Important:** If the unit is not equipped with an optional factory installed non-fused disconnect switch or circuit breaker, a field supplied disconnect switch must be installed at or near the unit in accordance with the National Electrical Code (NEC latest edition).

## Main Unit Power

### ⚠ WARNING

#### Proper Field Wiring and Grounding Required!

Failure to follow code could result in death or serious injury.

All field wiring **MUST** be performed by qualified personnel. Improperly installed and grounded field wiring poses **FIRE** and **ELECTROCUTION** hazards. To avoid these hazards, you **MUST** follow requirements for field wiring installation and grounding as described in NEC and your local/state/national electrical codes.

### ⚠ WARNING

#### Hazardous Voltage!

Failure to disconnect power before servicing could result in death or serious injury.

Disconnect all electric power, including remote disconnects before servicing. Follow proper lockout/tagout procedures to ensure the power can not be inadvertently energized. Verify that no power is present with a voltmeter.

### ⚠ WARNING

#### Electrical Shock Hazard!

Failure to follow instructions below could result in death or serious injury.

Properly connect the system's oversized protective earthing (grounding) terminal(s).

## Standard Wiring

1. Location of the applicable electrical service entrance is illustrated in the Dimensions and Weights chapter. Complete the unit power wiring connections at HTB1 main power terminal block in unit control panel. Refer to the customer connection diagram shipped with the unit for specific termination points.
2. Provide proper grounding for the unit in accordance with local and national codes. Refer to [Table 16, p. 55](#) for ground wire torque.

**Table 16. Ground wire torque**

Ground Wire Size (AWG)	Torque (in-lbs)
10 – 14	35
8	40
4 – 6	45
2/0 – 0	50

3. Units with factory installed circuit breakers may come equipped with an adjustable dial located on front of the circuit breaker. Refer to "Pre-Start," [p. 61](#) for instructions corresponding to adjustment of breaker dial (s).

## Optional TBUE Wiring (Through-the-Base Electrical Option)

- Location of the applicable electrical service is illustrated in [Figure 76, p. 57](#) through [Figure 79, p. 57](#). Refer to the customer connection diagram shipped with the unit for specific termination points. The termination points, depending on the customer option selected, would be a factory mounted non-fused disconnect switch (UDC) or circuit breaker (UCB). If neither a factory mounted non-fused disconnect switch (UDC) or circuit breaker (UCB) was factory mounted, field wiring connections should

be terminated in the control box at main panel power terminal block (HTB1).

### **NOTICE**

#### **Equipment Damage!**

Failure to follow instructions below could result in equipment damage.

Properly and completely seal all conduit, conduit openings, and factory through-the-base electrical (TBUE) penetrations to prevent building air from entering unit and causing water damage from condensation.

- Provide proper grounding for the unit in accordance with local and national codes. Refer to [Table 16, p. 55](#) for ground wire torque.

#### **Notes:**

- *Black gasket is shipped from the factory and is located in the literature ship-with bag in the control box. Apply black gasket around conduit plate on all four sides after installation to prevent air leakage from the building entering the electrical enclosures.*
- *Seal any unused unit penetrations and around conduit and wiring at all unit and curb penetrations.*
- *Seal any unused conduit openings, around all conduit and wiring within conduit, and any openings that would allow air leakage from the building entering the equipment electrical enclosures.*
- *Installer provided sealants may be needed to completely seal openings.*

### **Field-Installed Control Wiring**

#### **⚠ WARNING**

#### **Hazardous Voltage!**

Failure to disconnect power before servicing could result in death or serious injury.

Disconnect all electric power, including remote disconnects before servicing. Follow proper lockout/tagout procedures to ensure the power can not be inadvertently energized. Verify that no power is present with a voltmeter.

#### **⚠ WARNING**

#### **Proper Field Wiring and Grounding Required!**

Failure to follow code could result in death or serious injury.

All field wiring **MUST** be performed by qualified personnel. Improperly installed and grounded field wiring poses **FIRE** and **ELECTROCUTION** hazards. To avoid these hazards, you **MUST** follow requirements for field wiring installation and grounding as described in **NEC** and your local/state/national electrical codes.

An overall layout of the various control options available with the required number of conductors for each control device is illustrated in the wiring diagram located on main control box door.

All field wiring must conform to NEC guidelines as well as state and local codes.

### **Control Power Transformer**

The 24 volt control power transformers are to be used only with the accessories called out in this manual.

Transformers rated greater than 50 VA are equipped with internal circuit breakers. If a circuit breaker trips, turn **OFF** all power to the unit before attempting to reset it.

#### **⚠ WARNING**

#### **Hazardous Voltage!**

Failure to disconnect power before servicing could result in death or serious injury.

Disconnect all electric power, including remote disconnects before servicing. Follow proper lockout/tagout procedures to ensure the power can not be inadvertently energized. Verify that no power is present with a voltmeter.

The transformers are located in the control panel. The circuit breaker is located on the right side of the transformer and can be reset by pressing in on the black reset button.

### **Controls using 24 Vac**

Before installing any connecting wiring, refer to the Dimensions and Weights chapter for the electrical access locations provided on the unit and [Table 17, p. 57](#) for AC conductor sizing guidelines, and;

1. Use copper conductors unless otherwise specified.
2. AC control wiring between the controls and the unit termination point should not exceed 2.5 ohms/ conductor for the length of the run.



## NOTICE

### Component Failure!

Resistance in excess of two and a half (2.5) ohms per conductor could result in component failure due to insufficient AC voltage supply.

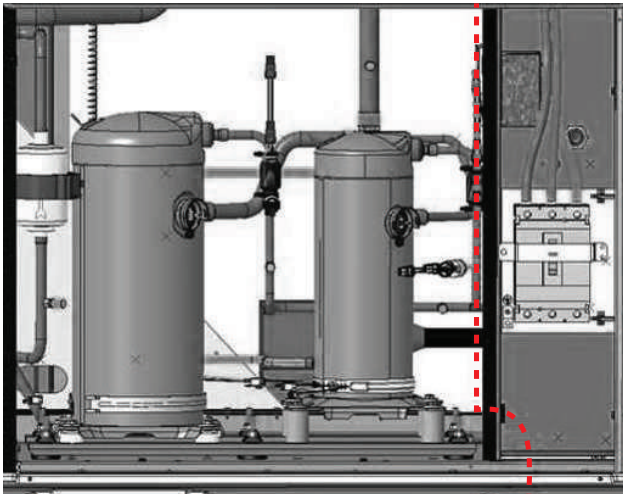
**Do not exceed two and a half (2.5) ohms per conductor for the length of the run.**

*Note: Check all loads and conductors for grounds, shorts, and mis-wiring.*

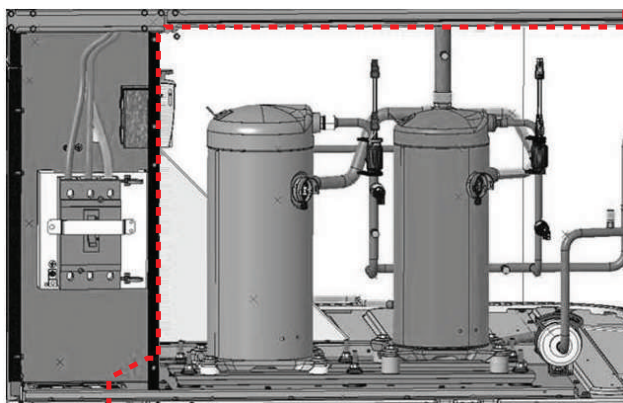
3. Do not run the AC low voltage wiring in the same conduit with the high voltage power wiring.
4. Route low voltage wiring per illustrations below.

These illustrations are representative as some models may appear slightly different. The low voltage wiring routing is the same.

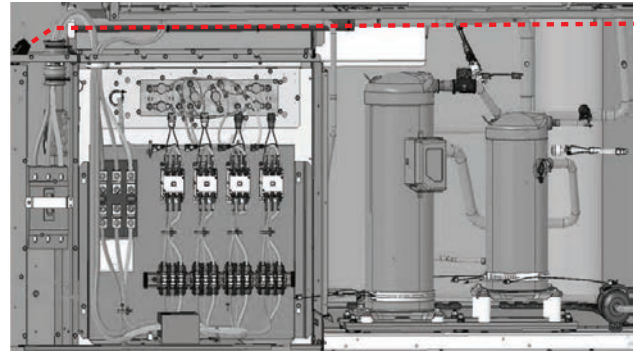
**Figure 76. Low voltage wiring — B.0 cabinet**



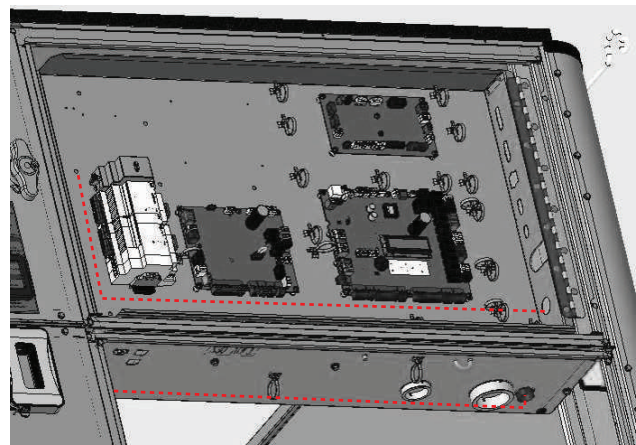
**Figure 77. Low voltage wiring — C.0 cabinet**



**Figure 78. Low voltage wiring — D.0 cabinet**



**Figure 79. Main control panel low voltage wiring**



**Table 17. Recommended wire lengths**

Wire Size		Maximum recommended wire length from unit controller to sensor	
AWG	mm <sup>2</sup>	Meters	Feet
22	0.33	0–46	0–150
20	0.50	47–73	151–240
18	0.75	74–117	241–385
16	1.30	118–185	386–610
14	2.00	186–296	611–970

**Note:** The total resistance of these low voltage wires must not exceed 2.5  $\Omega$ /conductor. Any resistance greater than 2.5  $\Omega$  may cause the control to malfunction due to an excessive voltage drop.

### Controls using DC Analog Input/Outputs (Standard Low Voltage Multi conductor Wire)

Before installing any connecting wiring between the unit and components utilizing a DC analog input/output signal, refer to the Dimensions and Weights chapter for the electrical access locations provided on the unit.



## Installation

- [Table 18, p. 58](#) lists the conductor sizing guidelines that must be followed when interconnecting the DC binary output devices and the system components utilizing a DC analog input/output signal to the unit.

### Notes:

- Resistance in excess of 2.5 ohms per conductor can cause deviations in the accuracy of the controls.
  - Confirm the wiring between controls and the unit termination point does not exceed two and a half (2.5) ohms/conductor for the length of the run.
- Do not run the electrical wires transporting DC signals in or around conduit housing high voltage wires.

## DC Conductors

**Table 18. Zone sensor module wiring**

Distance from Unit to Control	Recommended Wire Size
0 - 150 feet	22 gauge
0 - 45.7 m	0.33 mm <sup>2</sup>
151 - 240 feet	20 gauge
46 - 73.1 m	0.50 mm <sup>2</sup>
241 -385 feet	18 gauge
73.5 - 117.3 m	0.75 mm <sup>2</sup>
386 - 610 feet	16 gauge

**Table 18. Zone sensor module wiring (continued)**

Distance from Unit to Control	Recommended Wire Size
117.7 - 185.9 m	1.3 mm <sup>2</sup>
611 - 970 feet	14 gauge
186.2 - 295.7 m	0.2 mm <sup>2</sup>

**Note:** See Symbio™ 700 unit controls schematic, 1213-4349, for controls wiring.

## Space Temperature Averaging

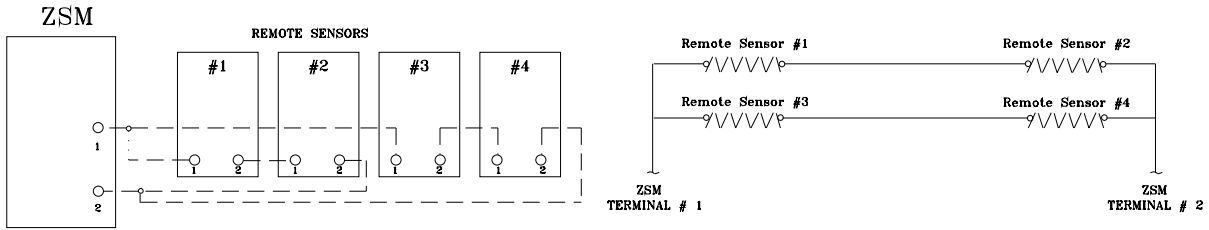
Space temperature averaging is accomplished by wiring a number of remote sensors in a series/parallel circuit.

When using the BAYSENS016\* or BAYSENS077\*, at least four sensors are required to accomplish space temperature averaging.

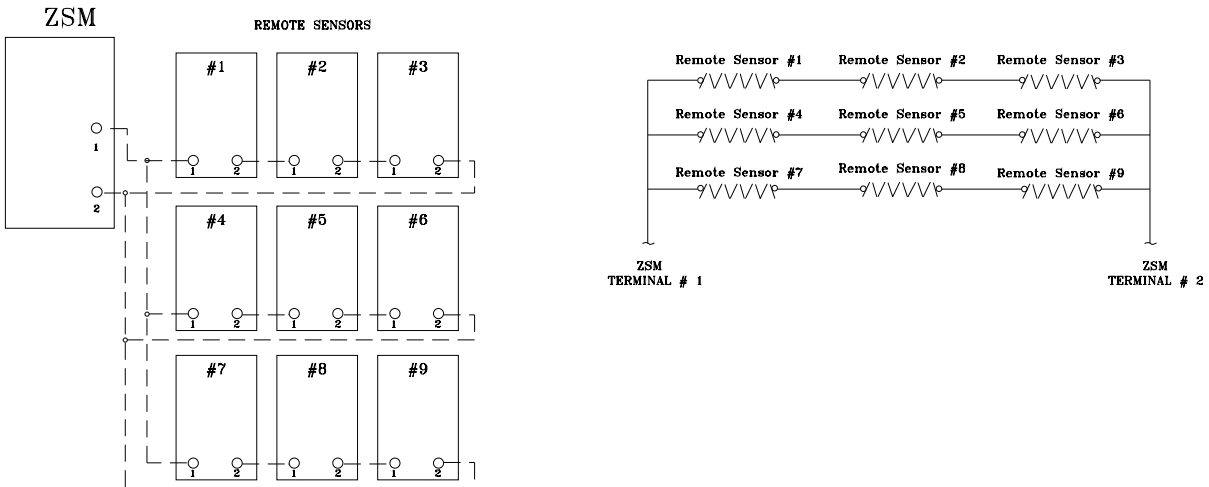
- Example #1 illustrates two series circuits with two sensors in each circuit wired in parallel. The square of any number of remote sensors is required.
- Example #2 illustrates three sensors squared in a series/parallel circuit. Using BAYSENS077\*, two sensors are required to accomplish space temperature averaging.
- Example #3 illustrates the circuit required for this sensor. [Table 19, p. 59](#) lists the temperature versus resistance coefficient for all sensors.

**Figure 80. Examples**

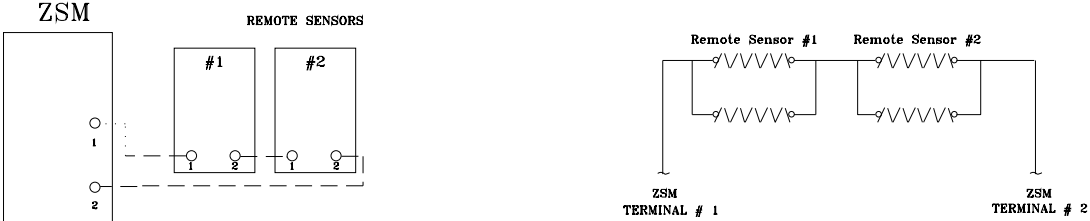
**EXAMPLE #1**



**EXAMPLE #2**



**EXAMPLE #3**



**Table 19. Temperature vs. resistance**

Temperature		Nominal Resistance (kOhms)
Degrees °F	Degrees °C	
-20	-28.9	170.1
-15	-26.1	143.5
-10	-23.3	121.4
-5	-20.6	103.0
0	-17.8	87.56
5	-15.0	74.65
10	-12.2	63.80
15	-9.4	54.66
20	-6.7	46.94

**Table 19. Temperature vs. resistance (continued)**

Temperature		Nominal Resistance (kOhms)
Degrees °F	Degrees °C	
25	-3.8	40.40
30	-1.1	34.85
35	1.7	30.18
40	4.4	26.22
45	7.2	22.85
50	10.0	19.96
55	12.8	17.47
60	15.6	15.33
65	18.3	13.4



## Installation

---

**Table 19. Temperature vs. resistance (continued)**

Temperature		Nominal Resistance (kOhms)
Degrees °F	Degrees °C	
70	21.1	11.89
75	23.9	10.50
80	26.7	9.297

**Table 19. Temperature vs. resistance (continued)**

Temperature		Nominal Resistance (kOhms)
Degrees °F	Degrees °C	
85	29.4	8.247
90	32.2	7.330
95	35.0	6.528





# Pre-Start

Use the checklist provided below in conjunction with the General Unit Requirements checklist to confirm the unit is properly installed and ready for operation.

## ⚠ WARNING

### Hazardous Voltage w/Capacitors!

Failure to disconnect power and discharge capacitors before servicing could result in death or serious injury.

Disconnect all electric power, including remote disconnects and discharge all motor start/run capacitors before servicing. Follow proper lockout/tagout procedures to ensure the power cannot be inadvertently energized. Verify with a CAT III or IV voltmeter rated per NFPA 70E that all capacitors have discharged.

- Check all electrical connections for tightness and point of termination accuracy.
- Verify that the condenser airflow will be unobstructed.

## ⚠ WARNING

### Rotating Components!

Failure to disconnect power before servicing could result in rotating components cutting and slashing technician which could result in death or serious injury.

During installation, testing, servicing and troubleshooting of this product it may be necessary to work with live and exposed rotating components. Have a qualified or licensed service individual who has been properly trained in handling exposed rotating components, perform these tasks.

- Verify that the condenser fan and indoor blower turn freely without rubbing and are properly tightened on the shafts.
- Verify that a condensate trap is installed and the piping is properly sized and pitched.
- Verify that the correct size and number of filters are in place.
- Inspect the interior of the unit for tools and debris and install all panels in preparation for starting the unit. For units with factory installed adjustable circuit breakers locate Ir/A dial on front cover of circuit breaker. Verify dial setting matches MOP value shown on unit nameplate. If value does NOT match use a small flat headed tool to adjust dial to proper setting.

## NOTICE

### Equipment Damage!

Failure to properly set circuit breaker dial could result in equipment damage.

For units with circuit breaker overload protection, set adjustable dial (Ir/A) to the MOP value on the equipment nameplate. Determination of the unit mounted circuit breaker serving as the overcurrent protection device for the equipment is strictly dependent on acceptance by the Inspecting Authority Having Jurisdiction.

## Voltage Imbalance

Three phase electrical power to the unit must meet stringent requirements for the unit to operate properly.

1. Measure each leg (phase-to-phase) of the power supply. Each reading must fall within the utilization range stamped on the unit nameplate. If any of the readings do not fall within the proper tolerances, notify the power company to correct this situation before operating the unit.

Excessive three phase voltage imbalance between phases will cause motors to overheat and eventually fail. The maximum allowable voltage imbalance is 2 percent.

2. Measure and record the voltage between phases 1, 2, and 3 and calculate the amount of imbalance as follows:

$$\% \text{ Voltage Imbalance} = \frac{100 \times (AV - VD)}{AV} \text{ where;}$$

$$AV \text{ (Average Voltage)} = \frac{Volt1 + Volt2 + Volt3}{3}$$

- V1, V2, V3 = Line Voltage Readings
- VD = Line Voltage reading that deviates the farthest from the average voltage.

**Example:** If the voltage readings of the supply power measured 221, 230, and 227, the average volts would be:

$$\frac{221 + 230 + 227}{3} = 226 \text{ Avg.}$$

VD (reading farthest from average) = 221

The percentage of Imbalance equals:

$$\frac{100 \times (226 - 221)}{226} = 2.2\%$$

The 2.2 percent imbalance in this example exceeds the maximum allowable imbalance of 2.0 percent. This much imbalance between phases can equal as much

as a 20 percent current imbalance with a resulting increase in motor winding temperatures that will decrease motor life.

3. If the voltage imbalance is over 2 percent, notify the proper agencies to correct the voltage problem before operating this equipment.

## Electrical Phasing (Three Phase Motors)

The compressor motor(s) and the supply fan motor are internally connected for the proper rotation when the incoming power supply is phased as A, B, C.

Proper electrical supply phasing can be quickly determined and corrected before starting the unit by using an instrument such as an Associated Research Model 45 Phase Sequence Indicator and following the steps below.

### **⚠ WARNING**

#### **Hazardous Voltage w/Capacitors!**

**Failure to disconnect power and discharge capacitors before servicing could result in death or serious injury.**

**Disconnect all electric power, including remote disconnects and discharge all motor start/run capacitors before servicing. Follow proper lockout/tagout procedures to ensure the power cannot be inadvertently energized. Verify with a CAT III or IV voltmeter rated per NFPA 70E that all capacitors have discharged.**

1. Turn the field supplied disconnect switch that provides power to the main power terminal block or to the line side of the optional factory mounted disconnect switch **OFF**.
2. Connect the phase sequence indicator leads to the terminal block or to the line side of the optional factory mounted disconnect switch as follows:
  - a. Brown (phase A) to L1
  - b. Orange (phase B) to L2
  - c. Yellow (phase C) to L3
3. Close the field supplied main power disconnect switch or circuit protector switch that provides the supply power to the unit.

**Note:** Upon closing main power disconnect and the unit mounted disconnect switch or circuit breaker, the phase monitor will verify proper phasing. If LED on face of the monitor is red, correct supply power fault.

### **⚠ WARNING**

#### **Live Electrical Components!**

**Failure to follow all electrical safety precautions when exposed to live electrical components could result in death or serious injury.**

**When it is necessary to work with live electrical components, have a qualified licensed electrician or other individual who has been properly trained in handling live electrical components perform these tasks.**

**Important:** To prevent injury or death from electrocution, it is the responsibility of the technician to recognize this hazard and use extreme care when performing service procedures with the electrical power energized.

4. Observe the ABC and CBA phase indicator lights on the face of the sequencer. The ABC indicator light will glow if the phase is ABC. If the CBA indicator light glows, **open** the disconnect switch or circuit protection switch and **reverse** any two power wires.
5. Restore the main electrical power and recheck the phasing. If the phasing is correct, **open** the disconnect switch or circuit protection switch and **remove** the phase sequence indicator.

## Compressor Crankcase Heaters

- Each compressor can be equipped with a crankcase heater (Some units include crankcase heater as standard). The proper operation of the crankcase heater is important to maintain an elevated compressor oil temperature during the **off** cycle to reduce oil foaming during compressor starts.
  - Oil foaming occurs when refrigerant condenses in the compressor and mixes with the oil. In lower ambient conditions, refrigerant migration to the compressor could increase.
  - When the compressor starts, the sudden reduction in crankcase pressure causes the liquid refrigerant to boil rapidly causing the oil to foam. This condition could damage compressor bearings due to reduced lubrication and could cause compressor mechanical failures.
1. Before starting the unit in the **cooling** mode, flip the system switch **OFF**.
  2. Turn the main power disconnect **ON** and allow the crankcase heater to operate a minimum of 8 hours.
  3. Before closing the main power disconnect switch, confirm the system selection switch is **OFF** and the fan selection switch is in the **AUTO** position.
  4. Close the main power disconnect switch and the unit mounted disconnect switch, if applicable.

**Note:** When closing main power disconnect and the unit mounted disconnect switch or circuit breaker, the phase monitor will verify proper phasing. If LED on face of the monitor is red, correct supply power fault.

**⚠ WARNING**

**Live Electrical Components!**

Failure to follow all electrical safety precautions when exposed to live electrical components could result in death or serious injury.

When it is necessary to work with live electrical components, have a qualified licensed electrician or other individual who has been properly trained in handling live electrical components perform these tasks.

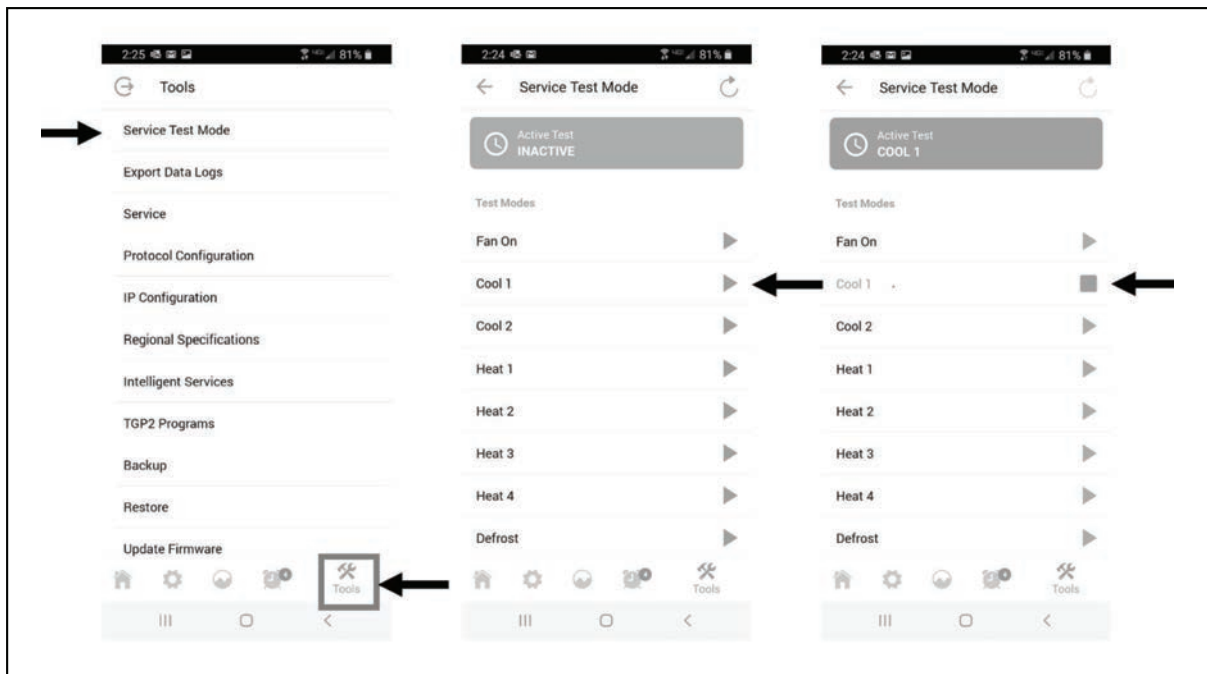
**Important:** To prevent injury or death from electrocution, it is the responsibility of the technician to recognize this hazard and use extreme care when performing service procedures with the electrical power energized.

## Symbio Controls

The Symbio™ 700 supports a Service Test Mode that can be used to energize the various components of the system, either to support general system startup tasks or to support troubleshooting. The user can initiate Service Test Mode through the controller user interfaces, including the Symbio Service and Installation mobile application.

The modes shown below can be initiated. Depending on the equipment configuration, the controller will energize the appropriate outputs. A user-selected timeout value will determine how long the controller will remain in any given state once initiated. For detailed information on how each Service Test State is interpreted based on the equipment configuration, see *Symbio™ 700 Controller with Precedent™ Packaged Rooftop Air-Conditioners Application Guide* (ACC-APG002\*-EN).

Figure 81. Symbio 700 service test mode





# Unit Start-Up

## Sequence of Operation

See *Symbio™ 700 Controller with Precedent™ Packaged Rooftop Air-Conditioners Application Guide (ACC-APG002\*-EN)*.

### Ignition Module – Two-stage

Two-stage (IGN) runs self-check (including verification that the gas valve is de-energized). (IGN) checks the high limit switches (TC01 and TC02) for normally closed contacts, the pressure switch (PS) for normally open contacts, and the flame rollout (FR) switch for continuity.

(IGN) energizes inducer blower on high speed to check pressure switch closure. If the pressure switch is closed, the inducer blower starts a 20 second pre-purge (15 seconds on high speed followed by 5 seconds on low speed). If the pressure switch (PS) is still open, the inducer blower will continue to be energized on high speed until pressure switch closure.

After pre-purge completes, the IGN energizes the first stage gas output for first stage heat demand and energizes second stage gas output for second stage heat and detects flame and de-energizes spark.

At this point indoor fan will start at minimum speed for the corresponding heat (first stage or second stage) demand.

For YZK(036-060)\*\*\*(0,A)(L,M,H) and YZK036\*\*\* (0,A)(L,M,H) models, a fixed 45-second indoor blower delay on timer starts. After the indoor blower delay on is completed, the (IGN) energizes the indoor blower.

The (IGN) enters a normal operating loop where all inputs are continuously monitored.

If a call for second stage heat is initiated after a call for first stage heat is established, the (IGN) energizes the second stage of the gas valve and the second stage of inducer blower.

When the zone thermostat is satisfied, the (IGN) de-energizes the gas valve. The (IGN) senses loss of flame.

The (IGN) initiates a 5 second inducer blower post purge. The Symbio™ 700 initiates a 90 second indoor blower-off delay at the current speed. The (IGN) de-energizes the inducer blower at the end of the post purge. The Symbio 700 de-energizes the indoor blower at the end of the selected indoor blower-off delay

**Note:** For complete Gas Heat User information, Operation, Start-up, Shutdown and Maintenance refer to “Gas Heat Operation and Maintenance,” p. 83.

**Table 20. Ignition module diagnostics**

Steady OFF	No Power/Failure/ Internal Failure
Steady ON	Normal – No Call for heat
Slow Flash Rate	Normal, call for heat (¾ second on, ¼ second off)

**Table 20. Ignition module diagnostics (continued)**

1 Flash	Loss of Communication
2 Flashes	System Lockout: Failed to detect or sustain flame. (failure to ignite, no spark, low/no gas pressure, etc.)
3 Flashes	Pressure switch problem detected. (no vent air flow, bad CBM, closed at initial call for heat). Auto reset.
4 Flashes	High Limit switch protection device open (excessive heat in combustion chamber, low airflow). Auto reset.
5 Flashes	Flame sensed and gas valve not energized, or flame sensed and no call for heat.
6 Flashes	Flame Rollout Switch open. (CBM failure, incorrect gas pressure, incorrect primary air). Requires manual reset of the switch.
7 Flashes	Weak Flame
8 Flashes	Internal Error
9 Flashes	Hardware Mismatch

### Ignition Module – Modulating Gas

#### Call for Heat

1. Thermostat (or heat enable) contact closes providing call for heat.
2. The provided analog input is 2.0 Vdc (0.5% ModBus firing rate) or higher, the modulating actuator is placed in the park position and the draft inducer is energized, the air pressure transducer is calibrated, and the draft inducer is run to the **pre-purge** setting. A 15 to 30 second pre-purge is initiated. The display on the VB1285 will show *PUR*. See [Table 21, p. 65](#) below.
3. The modulating actuator is moved to the ignition position during this time.
4. At the end of the pre-purge period, the ignition source is activated, and the main gas valve opens allowing gas to flow to the burners for the trial for ignition period [*t<sub>IGN</sub>*].
5. Burners ignite and cross light. Flame is sensed and control continues the heating cycle.
6. Control enters a **Warm-up** period [*HEAT*] that allows for burner stabilization prior to active modulation. Warm-up duration is program controlled.
7. At the end of the warm-up period, the 1<sup>st</sup> stage enters the run state characterized by normal burner modulation in response to the 2-6 Vdc analog input (1 - 56% ModBus firing rate) signal to the control [*r<sub>URN</sub>*].
8. The modulating gas valve is set as commanded by the

analog FIRING RATE input signal:

- a. < 1.5 Vdc (0% ModBus Firing Rate): OFF
  - b. 1.5 – 2.0 Vdc (0.5% ModBus Firing Rate): Minimum fire (Manifold pressure .20 to .30 in. w.c.)
  - c. 2.1 – 6.0 Vdc (1 - 56% ModBus Firing Rate): Modulation linearized to firing rate (Modulating Section Manifold pressure .25 to 3.50 in. w.c.)
9. If heating demand continues to increase and the analog input signal exceeds 6.0 Vdc (56% ModBus firing rate), and provided the air pressure switch is closed, the VB1285 initiates a trial for ignition of the 2<sup>nd</sup> stage.
  10. Burners ignite and cross light. Flame is sensed and control continues the heating cycle.
  11. Once the 2<sup>nd</sup> stage operation is verified, the 1<sup>st</sup> stage modulation is reset to its minimum input rate.
  12. The modulating gas valve is set as commanded by the analog FIRING RATE input signal and will modulate between 6.1 and 10.0 Vdc analog input (57 - 100% ModBus firing rate), while maintaining operation of the 2<sup>nd</sup> stage at 3.50–inches w.c. manifold pressure.
  13. The control remains in the high fire mode as long as the firing rate signal is above 5.0 Vdc (46% ModBus firing rate).
  14. If the firing rate signal drops below 5.0 Vdc (46% ModBus firing rate), the 2<sup>nd</sup> stage section will shut-off and the 1<sup>st</sup> stage will continue to operate and modulate in response to changes in analog signal voltage.
  15. System will continue in the run state until the heat enable contacts open or the analog input signal drops below 1.5 Vdc (0.5% ModBus firing rate) signal.
  16. When call for heat is removed, 1<sup>st</sup> stage gas valve closes and modulating actuator is moved to **Park** position, and the inducer is operated for a post purge period of 60 seconds [Pur].
  17. Control returns to the standby mode [OFF].

## Ignition and Operational Failures During a Call for Heat

1. If flame is not detected on the original ignition trial [RD1], the controller enters an inter-purge period of 30 seconds [rEt] and then will initiate another ignition trial. The control will repeat this sequence for up to 4 ignition trials.
2. If four consecutive failed ignition trials occur, control will go into lockout [E01].
3. If flame is lost during an operating cycle [RD2], the controller will operate same as in Step 1.
4. Limited low fire [RD4] will happen if flame loss at low fire results in an auto-adjustment that limits the burner turn down during the rest of the current call for heat.
5. Lockout will also occur for the following:
  - a. Open Limit or Rollout Switch [E02].
  - b. Low air pressure sensor reading is air pressure does not correspond to gas pressure [E04].
  - c. No R-W Enable [E09].
6. If the combustion air pressure switch opens (blocked vent or other airflow restriction) during heater operation with a continued call for heat, the control will lockout for one hour and then initiate a trial for ignition sequence.
7. Lockout will occur for any lockout error on either control and terminate heater operation for the duration of the lockout timing.
8. If no call for heat is present, controller is in the **Off** mode [OFF].

## Recovery from Lockout (E Code)

1. If the call for heat (thermostat or heat enable closed) is still present one hour after a lockout occurs, the control will automatically reset and initiate a call for heat sequence.
2. Control may also be reset manually by removing power to the controller for 10 seconds and restoring power to controller.

**Table 21. Lockout codes**

Display Code	Code Type	Description	Additional Comments and Notes
BBB	10s L/O	Board Failure (Up to 10 seconds at power up)	Verify 24 Vac signal input at connector J6.
OFF	Status	UP Mode: Burner state = Off	
Pur	Status	UP Mode: Burner state = Purge	
I 6n	Status	UP Mode: Burner state = Ignition	
HER	Status	UP Mode: Burner state = Warm up	
rUn	Status	UP Mode: Burner state = Run	
rEt	Status	UP Mode: Burner state = Retry (with RD1 or RD2)	Retry delay following either a failed ignition or a flame loss.
RD1	Alert	Failed ignition attempt	
RD2	Alert	Lost Flame	Ignition was successful but then flame disappeared.



## Unit Start-Up

**Table 21. Lockout codes (continued)**

Display Code	Code Type	Description	Additional Comments and Notes
R03	Alert	Insufficient Combustion Air	Blocked vent with actuator position derated by >20% from FRI setting
R04	Alert	Limited Low Fire (due to Lost Flame Auto-Adaptation)	Flame loss at low fire results in an auto-adjustment that limits the burner turn down during the rest of the current call for heat.
R05	Alert	Weak Flame Signal	Flame presence signal of less than 1.5µA indicates an aged flame rod.
R07	Alert	Loss of Inducer Motor Control	Air pressure is not modulating down at minimum inducer drive.
R08	Alert	Air Sensor Null Pressure Check out-of-tolerance	Air pressure sensor zero reading appears to be out-of-tolerance.
R11	Alert	Failed Ignition — split manifold burner	Failed Ignition, Split manifold burner, retries exhausted.
R15	Alert	Weak Flame Signal — split manifold	Weak Flame Signal, one or more split-manifold staged burners.
E01	1hr L/O	Failed Ignition	Four failed ignition attempts have occurred.
E02	10s L/O	Primary Limit Failure	Verify Primary Limit input at connector J8 and fuse at F1.
E03	10s L/O	Modulation Valve Failure	Valve Actuator did not reach a Park or Full On position.
E04	30s L/O	Air Sensor Failure — Pressure Reading Low	Includes insufficient air lockout due to blocked vent. Includes air switch failure to open during pre-purge switch check.
E05	30s L/O	Air Sensor Failure — Pressure Reading High	Includes air switch failure to close during pre-purge switch check.
E08	10s L/O	Improper Flame	
E09	0s L/O	No R-W Enable	An R-W open circuit is preventing the control from operating on a non-zero Firing Rate Demand or Firing Rate Input.
E11	10s L/O	1287 Lockout (L/O)	1287 L/O causes a 1285 L/O. Check 1287 control board LED state per the 1287 LED key below.
E13	10s L/O	Open fuse	
E18	10s L/O	1287 Improper Flame	Unexpected flame, Split manifold burner.
E1d	10s L/O	Invalid I.D. Plug Installed	

## Return Air Smoke Detector

The return air smoke detector is designed to shut off the unit if smoke is sensed in the return air stream. Sampling the airflow entering the unit at the return air opening performs this function.

In order for the smoke detector to properly sense smoke in the return air stream, the air velocity entering the unit must be between 500 and 4000 feet per minute. Equipment covered in this manual will develop an airflow velocity that falls within these limits over the entire airflow range specified in the evaporator fan performance tables.

## Compressor Start-Up

### **⚠ WARNING**

#### **Live Electrical Components!**

**Failure to follow all electrical safety precautions when exposed to live electrical components could result in death or serious injury.**

**When it is necessary to work with live electrical components, have a qualified licensed electrician or other individual who has been properly trained in handling live electrical components perform these tasks.**

1. Attach a set of service gauges on the suction and discharge gauge ports for each circuit.

Start unit in highest cooling test mode.



2. After the compressor and condenser fan have started and operated for approximately 30 minutes, observe the operating pressures. Compare the operating pressures to the label on the access panel.
3. Check system superheat. Follow the instruction listed on the superheat charging curve. Superheat should be within  $\pm 5^{\circ}\text{F}$  of the superheat chart value.
4. Repeat steps 1 through 4 for each refrigerant circuit.
5. To stop the SERVICE TEST, flip the main power disconnect switch **OFF** or proceed to the next component start-up procedure.

## Hot Gas Reheat

### **⚠ WARNING**

#### **Live Electrical Components!**

**Failure to follow all electrical safety precautions when exposed to live electrical components could result in death or serious injury.**

**When it is necessary to work with live electrical components, have a qualified licensed electrician or other individual who has been properly trained in handling live electrical components perform these tasks.**

1. Set the unit to Service Test step Reheat.
2. Once the unit is in the reheat test mode, verify the three way valve has shifted to the reheat position and that the supply temperature rises above cooling mode supply air temperature.
3. Monitor the suction pressure for 15 minutes. The suction pressure should remain within 5 psi of normal cooling operation.
4. If the unit has a two stage outdoor fan and if the outdoor air temperature is below  $70^{\circ}\text{F}$ , verify that the OD fan is in low stage.
5. Exit Service Test if complete.

## Final System Setup

After completing all of the pre-start and start-up procedures outlined in the previous sections (i.e., operating the unit in each of its modes through all available stages of cooling and heating), perform these final checks before leaving the unit.

1. Program the Night Setback (NSB) panel (if applicable) for proper unoccupied operation. Refer to the programming instructions for the specific panel.
2. Verify that the Remote panel **system** selection switch, **fan** selection switch, and zone temperature settings for automatic operation are correct.
3. Inspect the unit for misplaced tools, hardware, and debris.
4. Verify all exterior panels including the control panel doors and condenser grilles are secured in place.
5. Close the main disconnect switch or circuit protector switch that provides the supply power to the unit's terminal block or the unit mounted disconnect switch.

### **⚠ WARNING**

#### **Safety Alert!**

**Failure to follow instructions below could result in death or serious injury.**

**In addition to the following tasks, you MUST:**

- **Follow all instructions in the unit's *Installation, Operation, and Maintenance* manual, including warnings, cautions, and notices.**
- **Perform all required tasks in any applicable Service Alerts and Service Bulletins.**
- **Review and understand all information provided in Submittals and Design Specifications.**



# Maintenance

## ⚠ WARNING

### Hazardous Service Procedures!

Failure to follow all precautions in this manual and on the tags, stickers, and labels could result in death or serious injury.

Technicians, in order to protect themselves from potential electrical, mechanical, and chemical hazards, **MUST** follow precautions in this manual and on the tags, stickers, and labels, as well as the following instructions: Unless specified otherwise, disconnect all electrical power including remote disconnect and discharge all energy storing devices such as capacitors before servicing. Follow proper lockout/tagout procedures to ensure the power can not be inadvertently energized. When necessary to work with live electrical components, have a qualified licensed electrician or other individual who has been trained in handling live electrical components perform these tasks.

## Annual Maintenance

Clean and repaint any corroded surface.

## Monthly Maintenance

Before completing the following checks, turn the unit **OFF** and lock the main power disconnect switch open.

## ⚠ WARNING

### Hazardous Voltage!

Failure to disconnect power before servicing could result in death or serious injury.

Disconnect all electric power, including remote disconnects before servicing. Follow proper lockout/tagout procedures to ensure the power can not be inadvertently energized. Verify that no power is present with a voltmeter.

## Filters

Inspect the return air filters. Clean or replace them if necessary. Refer to for the filter sizes.

## Return Air Smoke Detector

Airflow through the unit is affected by the amount of dirt and debris accumulated on the indoor coil and filters. To verify airflow through the unit is adequate for proper sampling by the return air smoke detector, complete adherence to the maintenance procedures, including recommended intervals between filter changes, and coil cleaning is required.

Periodic checks and maintenance procedures must be performed on the smoke detector to insure that it will function properly. For detailed instructions concerning

these checks and procedures, refer to the appropriate section(s) of the smoke detector Installation and Maintenance Instructions provided with the literature package for this unit.

## Condensate Overflow Switch

During maintenance, the switch float (black ring) must be checked to confirm free movement up and down.

## Cooling Season

- Check the unit drain pans and condensate piping to ensure that there are no blockages.
- Inspect the evaporator and condenser coils for dirt, bent fins, etc. If the coils appear dirty, clean them according to the instructions described in Coil Cleaning later in this section.
- Manually rotate the condenser fans to confirm free movement and check motor bearings for wear. Verify all of the fan mounting hardware is tight.
- Inspect the F/A-R/A damper hinges and pins to verify all moving parts are securely mounted. Keep the blades clean.
- Verify all damper linkages move freely and lubricate with white grease, if necessary.
- Check supply fan motor bearings and repair or replace the motor as necessary.
- Verify all wire terminal connections are tight.
- Remove any corrosion present on the exterior surfaces of the unit and repaint these areas.
- Generally inspect the unit for unusual conditions (e.g., loose access panels, leaking piping connections, etc.)
- Confirm that all retaining screws are reinstalled in the unit access panels once these checks are complete.
- With the unit running, check and record the following:
  - ambient temperature
  - compressor suction and discharge pressures (each circuit)
  - superheat (each circuit)

Record this data on an operator's maintenance log. See [Table 23, p. 70](#). If the operating pressures indicate a refrigerant shortage, measure the system superheat. For guidelines, see "[Compressor Start-Up](#)," p. 66.

**Important:** *Do not release refrigerant to the atmosphere! If adding or removing refrigerant is required, the service technician must comply with all federal, state and local laws.*

## Heating Season

- Inspect the unit air filters. If necessary, clean or replace them.



- Check supply fan motor bearings and repair or replace the motor as necessary.
- Inspect both the main unit control panel and heat section control box for loose electrical components and terminal connections, as well as damaged wire insulation. Make any necessary repairs.
- Verify the heating systems operate properly.

## Coil Cleaning

Regular coil maintenance, including annual cleaning, enhances the unit's operating efficiency by minimizing the following:

- Compressor head pressure and amperage draw
- Evaporator water carryover
- Fan brake horsepower due to increased static pressure losses
- Airflow reduction

### **⚠ WARNING**

#### **Hazardous Chemicals!**

**Failure to follow this safety precaution could result in death or serious injury. Coil cleaning agents can be either acidic or highly alkaline and can burn severely if contact with skin or eyes occurs.**

**Handle chemical carefully and avoid contact with skin. ALWAYS wear Personal Protective Equipment (PPE) including goggles or face shield, chemical resistant gloves, boots, apron or suit as required. For personal safety refer to the cleaning agent manufacturer's Materials Safety Data Sheet and follow all recommended safe handling practices.**

At least once each year, or more often if the unit is located in a dirty environment, clean the condenser coils using the instructions below. Follow these instructions as closely as possible to avoid damaging the coils.

**Note:** For units equipped with hail guards follow removal procedure listed below.

### Hail Guard Removal

1. Remove shipping screws (ones without washers).
2. Lift hail guards up so screws with washers go to bottom of keyhole.
3. Remove hailguard by sliding washer head screw through keyhole.

## Microchannel (MCHE) Coils

### **NOTICE**

#### **Coil Damage!**

**Failure to follow instructions below could result in coil damage.**

**DO NOT use any detergents with microchannel condenser coils.**

**Use pressurized water or air ONLY, with pressure no greater than 600psi.**

**For additional information regarding the proper microchannel coil cleaning procedure, refer to RT-SVB83\*-EN**

- Due to the soft material and thin walls of the MCHE coils, the traditional field maintenance method recommended for Round Tube Plate Fin (RTPF) coils does not apply to microchannel coils.
- Chemical cleaners are a risk factor to MCHE due to the material of the coil.
- The manufacturer does not recommend the use of chemical cleaners to clean microchannel coils. Using chemical cleaners could lead to warranty claims being further evaluated for validity and failure analysis.

The recommended cleaning method for microchannel condenser coils is pressurized water or air with a non-pinpoint nozzle and an ECU of at least 180 with pressure no greater than 600 psi. To minimize the risk of coil damage, approach the cleaning of the coil with the pressure washer aimed perpendicular to the face of the coil during cleaning.

**Note:** For more details on microchannel coil cleaning, please see *Unitary Light and Large Commercial Unit Microchannel Coil Servicing Guidelines (RT-SVB83\*-EN)*.

### Hail Guard Reinstallation

Reinstall hail guards by aligning the keyholes over the washer screw heads, and slide into place. If the installation requires seismic or special wind load compliance, reinstall shipping screws.

### Hot Gas Reheat Additional Oil

### **NOTICE**

#### **Compressor Damage!**

**Use of incorrect refrigerant and oil could result in compressor damage and improper unit operation.**

**Use only refrigerant and oil specified on the unit nameplate.**

Additional refrigerant oil has been added in the factory for all hot gas reheat units. If major components (coil, valve assembly, or others.) are replaced or serviced, the following steps must be taken.

1. Measure the amount of oil removed during servicing.



## Maintenance

2. When recharging the unit after servicing, replace the amount of oil removed. Verify oil added is the correct type.
3. For compressor replacements and/or additional questions, contact Technical Support.

## Final Process

For future reference, record the unit data below in the blanks provided.

**Table 22. Unit data log**

Complete Unit Model Number	
Unit Serial Number	
Wiring Diagram Numbers (from unit control panel)	
Connections	
Schematics	

**Table 23. Sample maintenance log**

Date	Current Ambient Temp F/C	Refrigerant Circuit #1						Refrigerant Circuit #2					
		Compr. Oil Level	Suct. Press. Psig/kPa	Disch. Press. Psig/kPa	Liquid Press. Psig/kPa	Super-heat F/C	Sub-cool F/C	Compr. Oil Level	Suct. Press. Psig/kPa	Disch. Press. Psig/kPa	Liquid Press. Psig/kPa	Super-heat F/C	Sub-cool F/C
		- ok - low						- ok - low					
		- ok - low						- ok - low					
		- ok - low						- ok - low					
		- ok - low						- ok - low					
		- ok - low						- ok - low					
		- ok - low						- ok - low					

**Note:** Check and record the data requested above each month during the cooling season with the unit running.



## Troubleshooting

- Refer to the *Symbio™ 700 Controller with Precedent™ Packaged Rooftop Air-Conditioners Application Guide* (ACC-APG002\*-EN).
- Refer to the *Packaged Rooftop Air Conditioners Precedent™ eFlex™ Variable Speed Compressor Inverter 6 to 25 Tons, 60 Hz Troubleshooting Guide* (RT-SVD008\*-EN).



# Wiring Diagrams

*Note: Wiring diagrams can be accessed using e-Library by entering the diagram number in the literature order*

*number search field or by contacting technical support.*

**Table 24. Wiring diagrams**

Schematic Type	Controls	Voltage	Drawing Number	Description
Main Unit	Symbio 700	230V/460V	12135027	SCHEMATIC; SHEET 1, POWER, SINGLE COMPRESSOR, DUAL CONDENSER FAN, EFLEX, 230V/460V, HIGH SCCR (1phase, 1C)
Main Unit	Symbio 700	575V	12135013	SCHEMATIC; SHEET 1, POWER, SINGLE COMPRESSOR, DUAL CONDENSER FAN, EFLEX, 575V, STD SCCR
Main Unit	Symbio 700	230V/460V	12135014	SCHEMATIC; SHEET 1, POWER, DUAL COMPRESSOR, DUAL CONDENSER FAN, EFLEX, 230V/460V, STD SCCR (3phase 2C)
Main Unit	Symbio 700	575V	12135015	SCHEMATIC; SHEET 1, POWER, DUAL COMPRESSOR, DUAL CONDENSER FAN, EFLEX, 575V, STD SCCR
Main Unit	Symbio 700	230V/460V	12135016	SCHEMATIC; SHEET 1, POWER, SINGLE COMPRESSOR, DUAL CONDENSER FAN, EFLEX, 230V/460V, STD SCCR (1phase, 1C)
Main Unit	Symbio 700	575V	12135017	SCHEMATIC; SHEET 1, POWER, SINGLE COMPRESSOR, DUAL CONDENSER FAN, EFLEX, 575V, HIGH SCCR
Main Unit	Symbio 700	230V/460V	12135018	SCHEMATIC; SHEET 1, POWER, DUAL COMPRESSOR, DUAL CONDENSER FAN, EFLEX, 230V/460V, HIGH SCCR (3 phase, 2c)
Main Unit	Symbio 700	575V	12135019	SCHEMATIC; SHEET 1, POWER, DUAL COMPRESSOR, DUAL CONDENSER FAN, EFLEX, 575V, HIGH SCCR
Main Unit	Symbio 700	230V/460V	12134889	SCHEMATIC; SHEET 1, POWER, SINGLE COMPRESSOR, SINGLE CONDENSER FAN, EFLEX, 230V/460V, STD SCCR
Main Unit	Symbio 700	230V/460V	12135024	SCHEMATIC; SHEET 1, POWER, SINGLE COMPRESSOR, SINGLE CONDENSER FAN, EFLEX, 230V/460V, HIGH SCCR
Main Unit	Symbio 700	575V	12134890	SCHEMATIC; SHEET 1, POWER, SINGLE COMPRESSOR, SINGLE CONDENSER FAN, EFLEX, 575V, STD SCCR
Main Unit	Symbio 700	575V	12134892	SCHEMATIC; SHEET 1, POWER, SINGLE COMPRESSOR, SINGLE CONDENSER FAN, EFLEX, 575V, HIGH SCCR
Main Unit	Symbio 700	All	12134945	SCHEMATIC; SHEET 2, POWER, SINGLE INDOOR FAN, EFLEX, COOLING ONLY/ELECTRIC HEAT, STD SCCR
Main Unit	Symbio 700	230V	12134946	SCHEMATIC; SHEET 2, POWER, SINGLE INDOOR FAN, EFLEX, 2-STAGE GAS HEAT, 230V, STD SCCR
Main Unit	Symbio 700	460V/575V	12134947	SCHEMATIC; SHEET 2, POWER, SINGLE INDOOR FAN, EFLEX, 2-STAGE GAS HEAT, 460V/575V, STD SCCR
Main Unit	Symbio 700	All	12134948	SCHEMATIC; SHEET 2, POWER, SINGLE INDOOR FAN, EFLEX, COOLING ONLY/ELECTRIC HEAT, HIGH SCCR
Main Unit	Symbio 700	230V	12134949	SCHEMATIC; SHEET 2, POWER, SINGLE INDOOR FAN, EFLEX, 2-STAGE GAS HEAT, 230V, HIGH SCCR
Main Unit	Symbio 700	460V/575V	12134950	SCHEMATIC; SHEET 2, POWER, SINGLE INDOOR FAN, EFLEX, 2-STAGE GAS HEAT, 460V/575V, HIGH SCCR
Main Unit	Symbio 700	230V	12134955	SCHEMATIC; SHEET 2, POWER, SINGLE INDOOR FAN, EFLEX, MOD GAS HEAT, 230V, STD SCCR
Main Unit	Symbio 700	460V/575V	12134956	SCHEMATIC; SHEET 2, POWER, SINGLE INDOOR FAN, EFLEX, MOD GAS HEAT, 460V/575V, STD SCCR
Main Unit	Symbio 700	230V	12134957	SCHEMATIC; SHEET 2, POWER, SINGLE INDOOR FAN, EFLEX, MOD GAS HEAT, 230V, HIGH SCCR
Main Unit	Symbio 700	460V/575V	12134958	SCHEMATIC; SHEET 2, POWER, SINGLE INDOOR FAN, EFLEX, MOD GAS HEAT, 460V/575V, HIGH SCCR

**Table 24. Wiring diagrams (continued)**

Schematic Type	Controls	Voltage	Drawing Number	Description
Main Unit	Symbio 700	All	12134841	SCHEMATIC; SHEET 2, POWER, DUAL INDOOR FAN, EFLEX, COOLING ONLY/ELECTRIC HEAT, STD SCCR
Main Unit	Symbio 700	230V	12134842	SCHEMATIC; SHEET 2, POWER, DUAL INDOOR FAN, EFLEX, 2-STAGE GAS HEAT, 230V, STD SCCR
Main Unit	Symbio 700	460V/575V	12134843	SCHEMATIC; SHEET 2, POWER, DUAL INDOOR FAN, EFLEX, 2-STAGE GAS HEAT, 460V/575V, STD SCCR
Main Unit	Symbio 700	All	12134844	SCHEMATIC; SHEET 2, POWER, DUAL INDOOR FAN, EFLEX, COOLING ONLY/ELECTRIC HEAT, HIGH SCCR
Main Unit	Symbio 700	230V	12134845	SCHEMATIC; SHEET 2, POWER, DUAL INDOOR FAN, EFLEX, 2-STAGE GAS HEAT, 230V, HIGH SCCR
Main Unit	Symbio 700	460V/575V	12134846	SCHEMATIC; SHEET 2, POWER, DUAL INDOOR FAN, EFLEX, 2-STAGE GAS HEAT, 460V/575V, HIGH SCCR
Main Unit	Symbio 700	230V	12134847	SCHEMATIC; SHEET 2, POWER, DUAL INDOOR FAN, EFLEX, MOD GAS HEAT, 230V, STD SCCR
Main Unit	Symbio 700	460V/575V	12134848	SCHEMATIC; SHEET 2, POWER, DUAL INDOOR FAN, EFLEX, MOD GAS HEAT, 460V/575V, STD SCCR
Main Unit	Symbio 700	230V	12134849	SCHEMATIC; SHEET 2, POWER, DUAL INDOOR FAN, EFLEX, MOD GAS HEAT, 230V, HIGH SCCR
Main Unit	Symbio 700	460V/575V	12134850	SCHEMATIC; SHEET 2, POWER, DUAL INDOOR FAN, EFLEX, MOD GAS HEAT, 460V/575V, HIGH SCCR
Main Unit	Symbio 700	All	12134853	SCHEMATIC; SHEET 3, CONTROLS, SYMBIO 700 UNIT CONTROLS, EFLEX
Main Unit	Symbio 700	460V/575V	12135021	SCHEMATIC; SHEET 4, CONTROLS, ADAPTER BOARD UNIT CONTROLS, SINGLE COMPRESSOR, DUAL FAN, EFLEX
Main Unit	Symbio 700	All	12135022	SCHEMATIC; SHEET 4, CONTROLS, ADAPTER BOARD UNIT CONTROLS, DUAL COMPRESSOR, DUAL FAN, EFLEX
Main Unit	Symbio 700	All	12134962	SCHEMATIC; SHEET 4, CONTROLS, ADAPTER BOARD UNIT CONTROLS, SINGLE COMPRESSOR, SINGLE FAN, EFLEX
Main Unit	Symbio 700	All	12134622	SCHEMATIC; SHEET 5, CONTROLS, INDOOR OPTIONS, EFLEX
Main Unit	Symbio 700	All	12134438	SCHEMATIC; SHEET 6, CONTROLS, FRESH AIR OPTIONS
Main Unit	Symbio 700	All	12134446	SCHEMATIC; SHEET 7, CONTROLS, CUSTOMER CONNECTION OPTIONS
Main Unit	Symbio 700	All	12134447	SCHEMATIC; SHEET 8, CONTROLS, STEPPER MOTOR CONTROLLER
Main Unit	Symbio 700	All	12134448	SCHEMATIC; SHEET 9, CONTROLS, XM30/XM32 EXPANSION MODULES
Main Unit	Symbio 700	All	X39004435001	LABEL; VFD PARAMETERS
Main Unit	Symbio 700	All	X39004499001	LABEL; FUSE TABLE, UNIT LEVEL (UH EFF 3-25T)
Electric Heat	Symbio 700	230V	12134813	SCHEMATIC/COMPONENT LOCATION - ELECTRIC HEAT - 6 & 12 & 18 & 23 KW 208/240V
Electric Heat	Symbio 700	460V/575V	12134814	SCHEMATIC/COMPONENT LOCATION - ELECTRIC HEAT - 6 & 12 & 18 & 23 KW 460V/575V
Electric Heat	Symbio 700	230V	12134301	SCHEMATIC/COMPONENT LOCATION - ELECTRIC HEAT - 9 & 18 KW 208/240V
Electric Heat	Symbio 700	230V	12134302	SCHEMATIC/COMPONENT LOCATION - ELECTRIC HEAT - 27 & 36 KW 208/240V
Electric Heat	Symbio 700	230V	12134303	SCHEMATIC/COMPONENT LOCATION - ELECTRIC HEAT - 54 KW 208/240V
Electric Heat	Symbio 700	460V/575V	12134304	SCHEMATIC/COMPONENT LOCATION - ELECTRIC HEAT - 9 & 18 KW 460V/575V
Electric Heat	Symbio 700	460V/575V	12134305	SCHEMATIC/COMPONENT LOCATION - ELECTRIC HEAT - 27 & 36 KW 460V/575V



## Wiring Diagrams

**Table 24. Wiring diagrams (continued)**

Schematic Type	Controls	Voltage	Drawing Number	Description
Electric Heat	Symbio 700	460V/575V	12134306	SCHEMATIC/COMPONENT LOCATION - ELECTRIC HEAT - 54 KW 460V/575V
Electric Heat	Symbio 700	230V	12134307	SCHEMATIC/COMPONENT LOCATION - ELECTRIC HEAT - 18 KW 208/240V
Electric Heat	Symbio 700	230V	12134308	SCHEMATIC/COMPONENT LOCATION - ELECTRIC HEAT - 36 KW 208/240V
Electric Heat	Symbio 700	230V	12134309	SCHEMATIC/COMPONENT LOCATION - ELECTRIC HEAT - 54 & 72 KW 208/240V
Electric Heat	Symbio 700	460V/575V	12134310	SCHEMATIC/COMPONENT LOCATION - ELECTRIC HEAT - 18 KW 460V/575V
Electric Heat	Symbio 700	460V/575V	12134311	SCHEMATIC/COMPONENT LOCATION - ELECTRIC HEAT - 36 KW 460V/575V
Electric Heat	Symbio 700	460V/575V	12134312	SCHEMATIC/COMPONENT LOCATION - ELECTRIC HEAT - 54 & 72 KW 460V/575V
Electric Heat	Symbio 700	230V	X39004311001	LABEL; FUSE REPLACEMENT, ELECTRIC HEAT, 300V
Electric Heat	Symbio 700	460V/575V	X39004311002	LABEL; FUSE REPLACEMENT, ELECTRIC HEAT, 600V
Component Location	Symbio 700	All	12134966	DIAGRAM; COMPONENT LOCATION, COOLING/ELECTRIC, B CABINET, EFLEX, SINGLE COMPRESSOR
Component Location	Symbio 700	All	12134967	DIAGRAM; COMPONENT LOCATION, GAS, B CABINET, EFLEX, SINGLE COMPRESSOR
Component Location	Symbio 700	All	12134970	DIAGRAM; COMPONENT LOCATION, COOLING/ELECTRIC, C CABINET, EFLEX, SINGLE COMPRESSOR
Component Location	Symbio 700	All	12134971	DIAGRAM; COMPONENT LOCATION, GAS, C CABINET, EFLEX, SINGLE COMPRESSOR
Component Location	Symbio 700	All	12134980	DIAGRAM; COMPONENT LOCATION, MOD GAS, B CABINET, EFLEX, SINGLE COMPRESSOR
Component Location	Symbio 700	All	12134981	DIAGRAM; COMPONENT LOCATION, MOD GAS, C CABINET, EFLEX, SINGLE COMPRESSOR
Component Location	Symbio 700	All	12134860	DIAGRAM; COMPONENT LOCATION, COOLING/ELECTRIC, D CABINET, EFLEX, SINGLE COMPRESSOR
Component Location	Symbio 700	All	12134861	DIAGRAM; COMPONENT LOCATION, GAS, D CABINET, EFLEX, SINGLE COMPRESSOR
Component Location	Symbio 700	All	12134837	DIAGRAM; COMPONENT LOCATION, COOLING/ELECTRIC, D CABINET, EFLEX, DUAL COMPRESSOR
Component Location	Symbio 700	All	12134838	DIAGRAM; COMPONENT LOCATION, GAS, D CABINET, EFLEX, DUAL COMPRESSOR
Component Location	Symbio 700	All	12134839	DIAGRAM; COMPONENT LOCATION, MOD GAS, D CABINET, EFLEX, SINGLE COMPRESSOR
Component Location	Symbio 700	All	12134840	DIAGRAM; COMPONENT LOCATION, MOD GAS, D CABINET, EFLEX, DUAL COMPRESSOR
Supplimental	Symbio 700	All	12134327	DIAGRAM; POWER EXHAUST
Supplimental	Symbio 700	All	12135034	LABEL; DIAGRAM, LOW AMBIENT
Supplimental	Symbio 700	All	X39004319001	LABEL; FUSE REPLACEMENT, CONVENIENCE OUTLET
Supplimental	Symbio 700	All	12134461	DIAGRAM; SCHEMATIC - CONVENIENCE OUTLET OPTION

# Piping Diagrams

Figure 82. Piping diagram - 3 to 5 tons ultra high efficiency - cooling (T/Y)ZK (036-060)

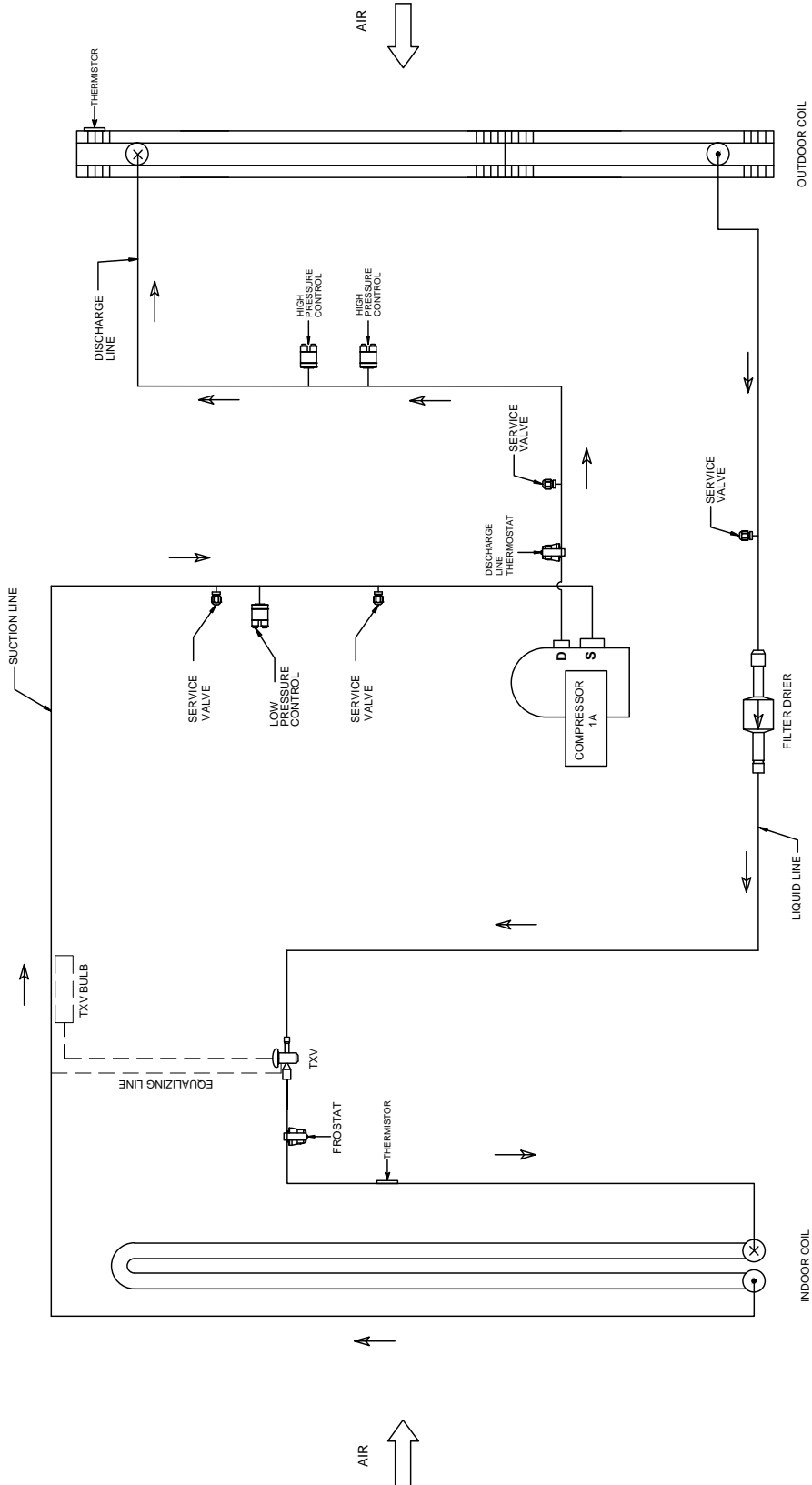




Figure 83. Piping diagram - 3 to 5 tons ultra high efficiency - hot gas reheat (T/Y)ZK (036-060)

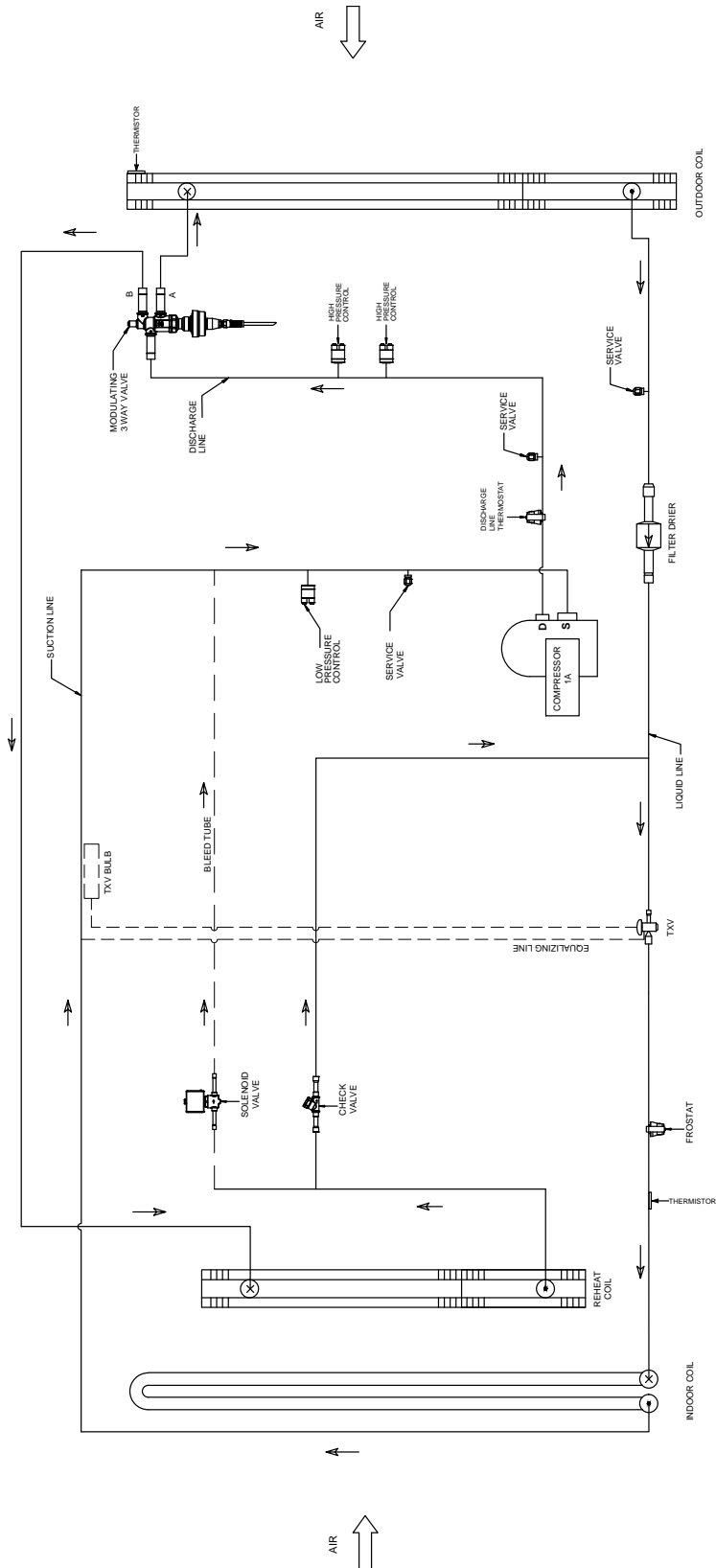


Figure 84. Piping diagram - 6 to 10 tons ultra high efficiency - cooling (T/Y)ZK (072-120)

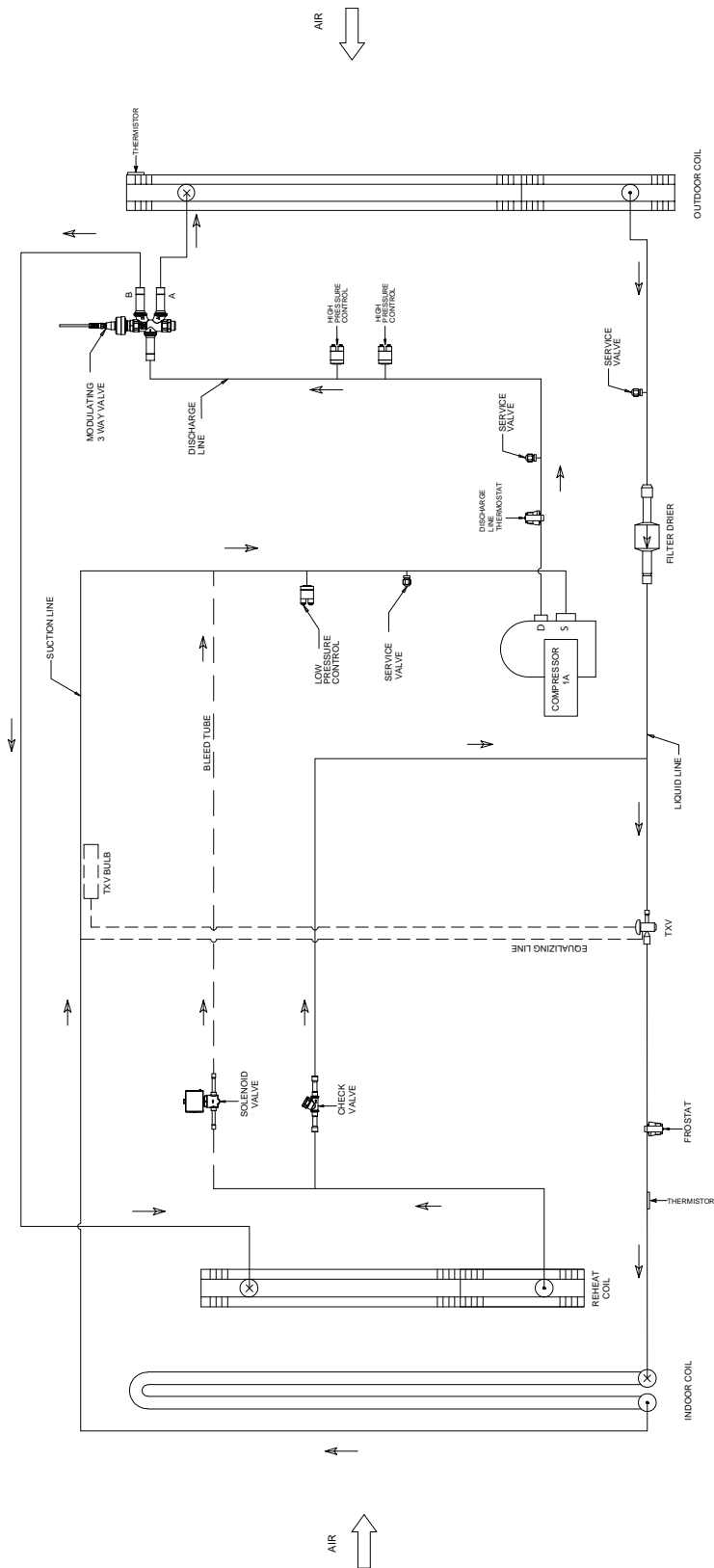
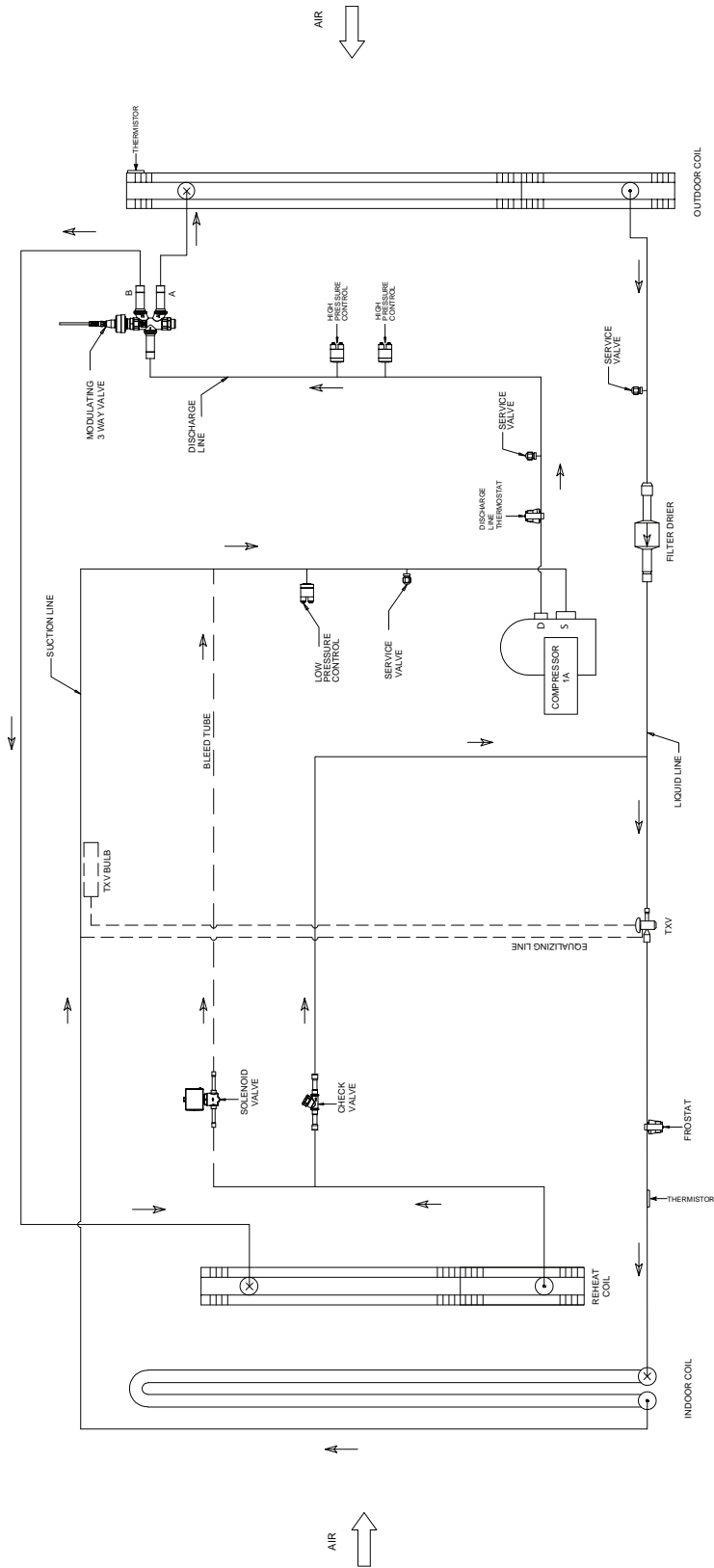


Figure 85. Piping diagram 6 to 10 tons ultra high efficiency - hot gas reheat (T/Y)ZK (072-120)



**Figure 86. Piping diagram – 12.5 to 15 tons ultra high efficiency - cooling (T/Y)ZK (150-180)**

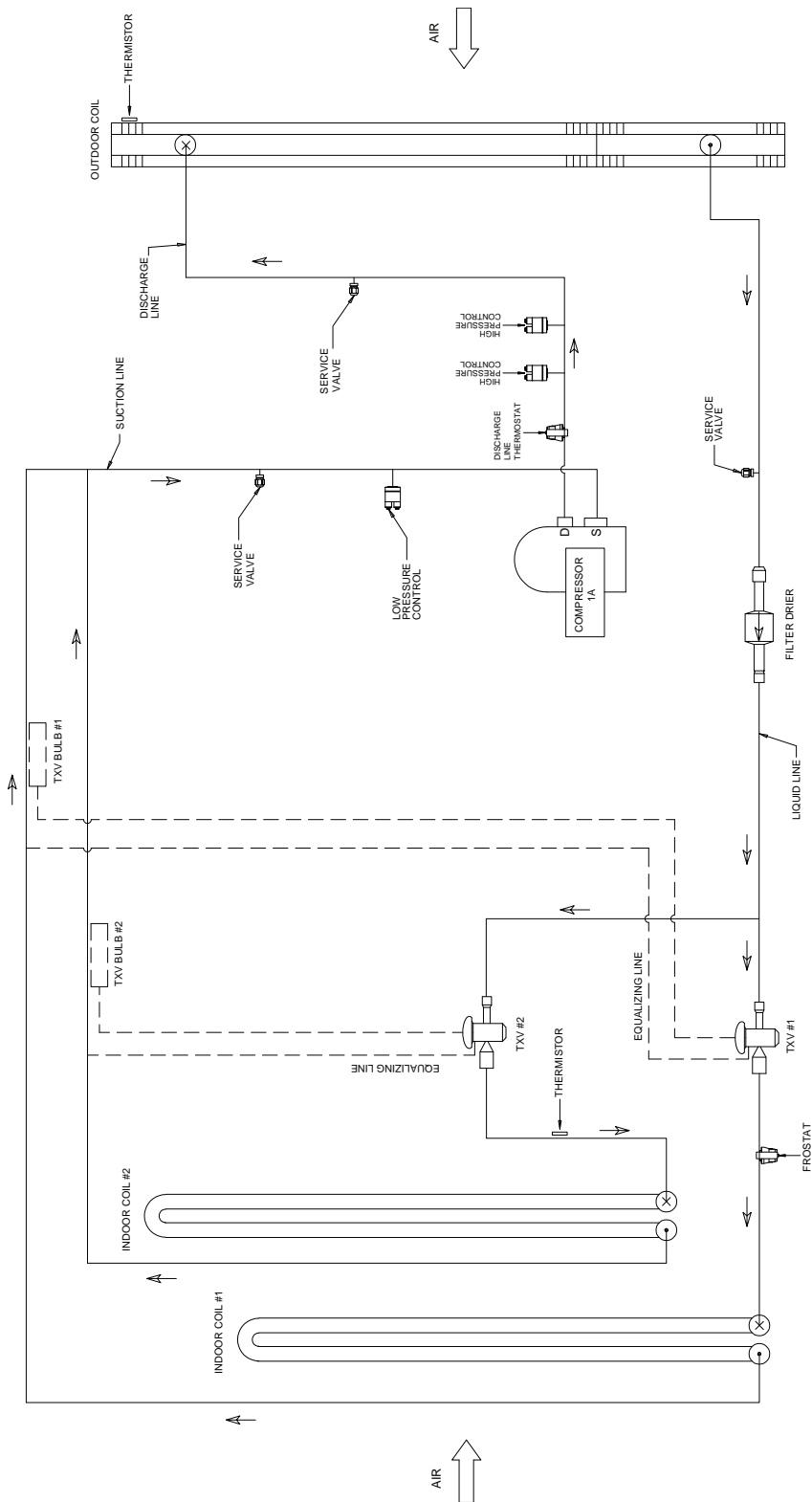


Figure 87. Piping diagram – 12.5 to 15 tons ultra high efficiency - hot gas reheat (T/Y)ZK (150-180)

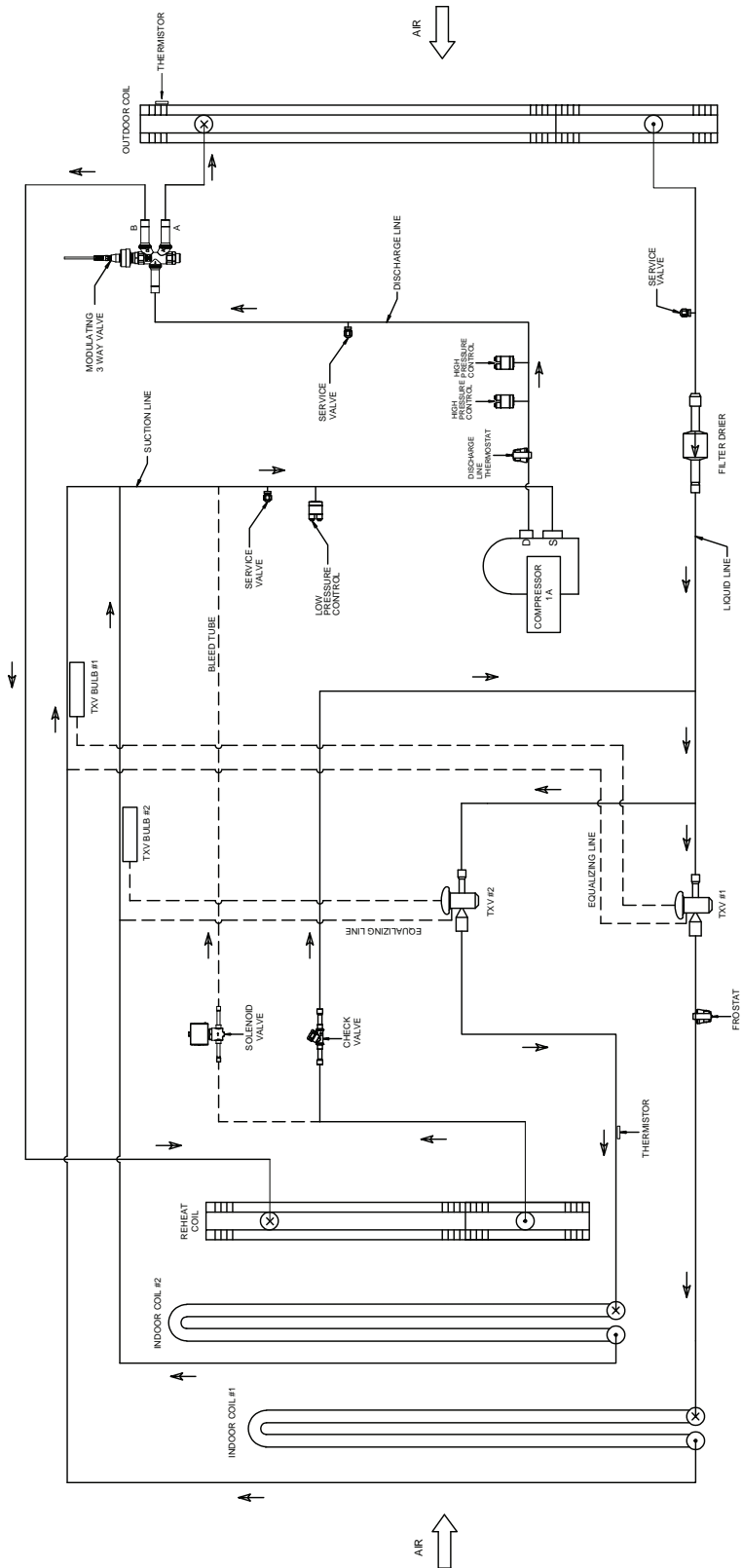


Figure 88. Piping diagram – 17.5 to 25 tons ultra high efficiency - cooling (T/Y)ZK (210-300)

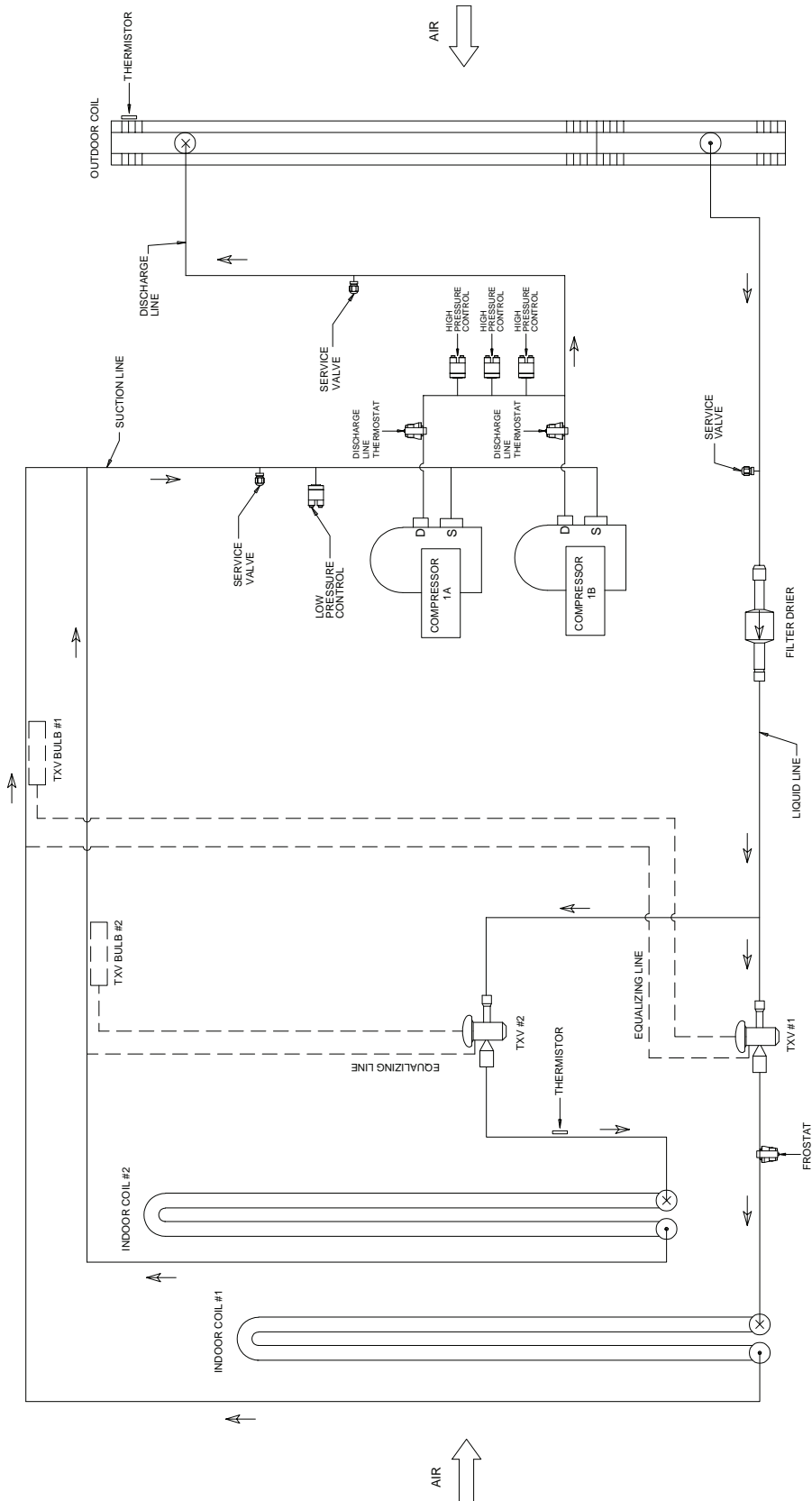
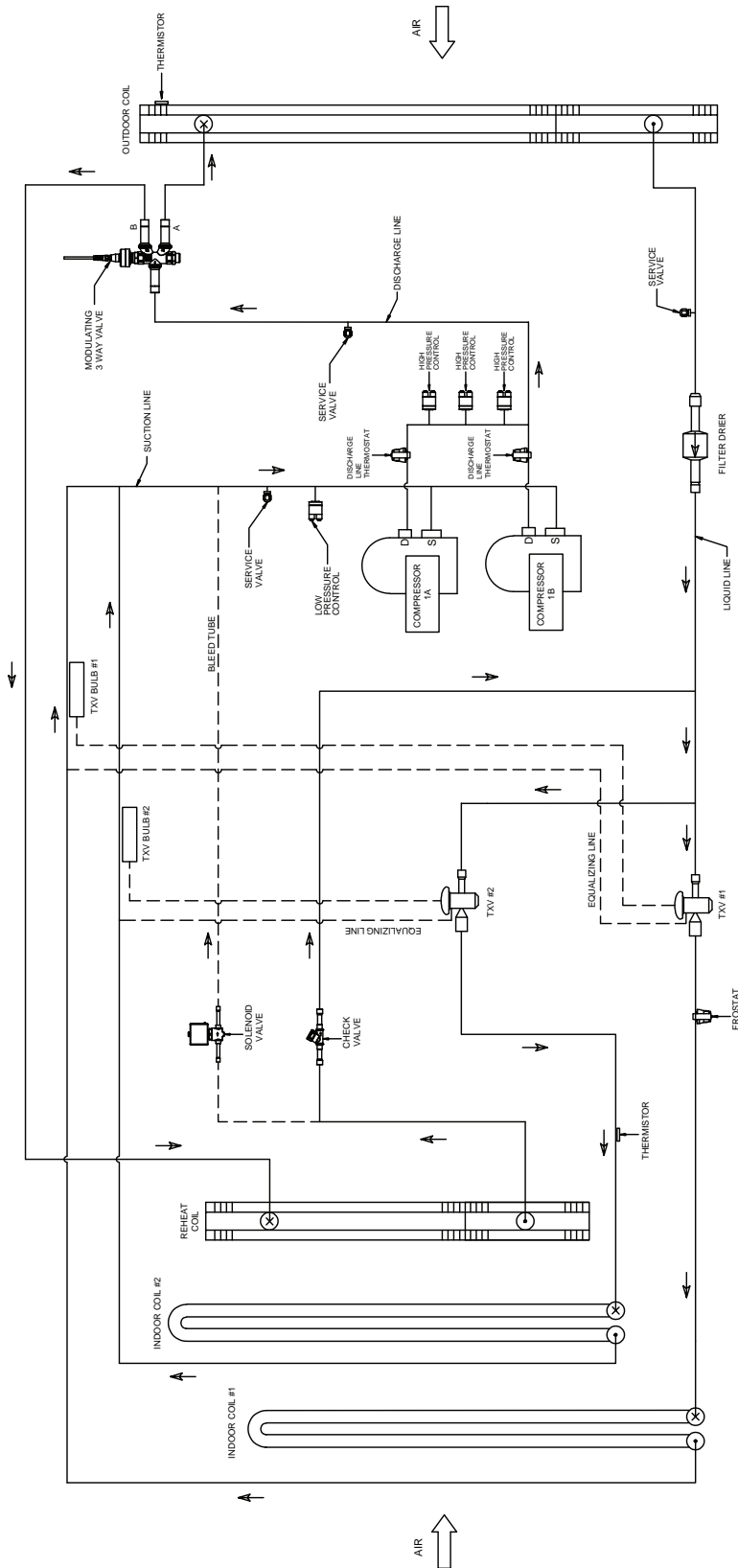


Figure 89. Piping diagram – 17.5 to 25 tons ultra high efficiency - hot gas reheat (T/Y)ZK (210-300)







# Gas Heat Operation and Maintenance

## Gas Heat Unit General Information

### ⚠ WARNING

#### Hazard of Explosion or Fire!

Failure to follow instructions could result in death or serious injury and equipment or property damage.

Do not store or use gasoline or other flammable vapors and liquids in the vicinity of this or any other appliance.

IF YOU SMELL GAS, follow instructions below:

- Do not try to light any appliance.
- Do not touch any electrical switch.
- Do not use any phone in your building.
- Open windows and doors.
- Alert others and evacuate building immediately.
- From a phone outside of the building, immediately call your gas supplier. Follow the gas supplier's instructions. If you cannot reach your gas supplier, call the fire department.

### ⚠ WARNING

#### Safety Hazards!

Failure to follow instructions below could result in death or serious injury and equipment or property damage.

- Do not use this furnace if any portion has been under water as it may have rendered the unit hazardous to operate. Immediately call a qualified service technician to inspect the furnace and to replace any part or the control system and any gas control which has been under water.
- Should overheating occur, or the unit gas valve fail to shut off, close the gas valve to the furnace before shutting off the electrical supply.

### ⚠ WARNING

#### Safety Hazards!

Failure to follow instructions below could result in death or serious injury.

- Never perform any maintenance procedures until the electrical power to the unit is turned off.
- Never perform any maintenance procedures until the gas valve to the gas supply is turned off.
- Never remove any panels from the unit while it is operating.
- Never remove panels or parts from the unit that are not discussed in this manual.
- Never cover the unit, since it is designed to operate year round.

The unit has a complex design. To verify it performs safely and gives long lasting services, some of the maintenance work must be performed by a qualified service person.

When a service person is referred to in this manual, this is a service technician who has had special training or a number of years experience in servicing this type of equipment. It is your responsibility to select a qualified service company that can provide a service person of this caliber.

#### Notes:

- Do not operate the unit without filters.
- See [Table 1, p. 11](#) for filter sizes.
- Remove filter access panel to access filters.
- For thermostat operation, see "[Thermostat](#)," p. 12.

## Heating System

### Heating Cycle Operation

The unit heating system is a solid-state electronic ignition control that lights the furnace burners each time the thermostat calls for heat. At the end of each heating cycle the furnace burners are extinguished. This type of system is called Direct Spark Ignition (DSI).

A normal heating cycle begins when the air temperature drops below the thermostat setting. The thermostat then energizes the heating electrical circuit that starts and controls the furnace burners. Shortly after the burners ignite the indoor fan starts and circulates warm air through the conditioned space.

When the air temperature rises to the thermostat setting the thermostat deenergizes the heating electrical circuit, which in turn extinguishes the burners. The indoor fan continues to circulate warm air until most of the heat is removed from the unit's combustion chamber.

## Safety Controls

- The unit is equipped with an automatic reset safety limit control to prevent overheating. When the control opens, it shuts down the heating electrical circuit until the unit cools down sufficiently. Inadequate airflow (i.e., caused by dirty filters or defective fan motor) may cause the unit to cycle on and off as the limit trips and automatically resets. If the unit is cycling on its limit control, immediately contact a service person for instructions.
- If flames from the burner are not properly drawn into the heat exchanger, a flame rollout protection control will open causing the furnace to shut off. The cause must be investigated by a qualified service person.
- If installed, the condensate overflow switch will shut down the unit before a drain pan overflow occurs.

## Heating System Start-Up

Because the unit has an automatic ignition system, it is easy to start the heating cycle at the beginning of the heating season. In order for the unit to operate properly and safely, the furnace needs air for both combustion and ventilation. Verify all air openings are unobstructed and there is adequate clearance around the unit to provide good airflow.

### **⚠ WARNING**

#### **Hazardous Voltage w/Capacitors!**

Failure to disconnect power and discharge capacitors before servicing could result in death or serious injury.

Disconnect all electric power, including remote disconnects and discharge all motor start/run capacitors before servicing. Follow proper lockout/tagout procedures to ensure the power cannot be inadvertently energized. For variable frequency drives or other energy storing components provided by Trane or others, refer to the appropriate manufacturer's literature for allowable waiting periods for discharge of capacitors. Verify with a CAT III or IV voltmeter rated per NFPA 70E that all capacitors have discharged.

1. Set the thermostat heating adjustment lever to the lowest setting.
2. Flip the selector switch **OFF**.
3. Turn off all electric power to the unit.

### **⚠ WARNING**

#### **Risk of Burn!**

Failure to follow instructions could result in serious injury.

**NEVER attempt to manually light the burner.**

4. This unit is equipped with an ignition device which

automatically lights the burners.

5. Remove the access panel that contains the following label:

**Figure 90. Label**

REMOVE THIS PANEL  
TO GAIN ACCESS TO  
THE GAS VALVE

6. Flip the **ON/OFF** switch **OFF**.

**Note:** Some valves require the knob to be pushed in slightly before turning.

### **⚠ WARNING**

#### **Hazard of Explosion or Fire!**

Failure to follow instructions could result in death or serious injury and equipment or property damage.

**Do not store or use gasoline or other flammable vapors and liquids in the vicinity of this or any other appliance.**

**IF YOU SMELL GAS, follow instructions below:**

- Do not try to light any appliance.
- Do not touch any electrical switch.
- Do not use any phone in your building.
- Open windows and doors.
- Alert others and evacuate building immediately.
- From a phone outside of the building, immediately call your gas supplier. Follow the gas supplier's instructions. If you cannot reach your gas supplier, call the fire department.

7. Wait (five) minutes to clear out any gas. If you then smell gas, **STOP** and proceed with the instructions as per above Warning. If you do not smell gas, go to the next step.
8. Change the **ON/OFF** switch **ON**.
9. Replace panel removed in [Step 5](#).
10. Turn on all electric power to unit.
11. Set thermostat to desired temperature and flip the selector switch **ON**. The unit will operate automatically.
12. If the unit will not operate, follow the instructions in ["Turning Off Gas to Unit," p. 85](#) and call the service technician or gas supplier.

**Important:** The unit should be adjusted to obtain an air rise specified on the nameplate.

## Heating System Shutdown

To shut down the heating system for brief periods of time slip the thermostat selector switch to the **OFF**.

**NOTICE****Property Damage!**

Furnace failure could cause property damage, such as frozen water pipes.

If the unit is shut down during the cold weather months, provisions must be taken to prevent freeze-up of all water pipes and water receptacles. Whenever your house or building is to be vacant, arrange to have someone inspect your structure for proper temperature. This is very important in below-freezing weather.

**NOTICE****Coil Freeze-Up!**

Failure to follow instruction below could result in equipment damage.

Drain and vent coils when not in use. Trane recommends glycol protection in all possible freezing applications. Use a glycol approved for use with commercial cooling and heating systems and copper tube coils.

**Turning Off Gas to Unit**

1. Set the thermostat to lowest setting.

**⚠ WARNING****Hazardous Voltage w/Capacitors!**

Failure to disconnect power and discharge capacitors before servicing could result in death or serious injury.

Disconnect all electric power, including remote disconnects and discharge all motor start/run capacitors before servicing. Follow proper lockout/tagout procedures to ensure the power cannot be inadvertently energized. For variable frequency drives or other energy storing components provided by Trane or others, refer to the appropriate manufacturer's literature for allowable waiting periods for discharge of capacitors. Verify with a CAT III or IV voltmeter rated per NFPA 70E that all capacitors have discharged.

2. Turn off all electric power to the unit if service will be performed.
3. Remove the access panel that contains the label shown in [Figure 90, p. 84](#).
4. Change the **ON/OFF** switch to the **OFF**.
5. Replace panel removed in [Step 3](#).

**Heating System Maintenance****⚠ WARNING****Hazard of Explosion or Fire!**

Failure to follow instructions could result in death or serious injury and equipment or property damage. Do not store or use gasoline or other flammable vapors and liquids in the vicinity of this or any other appliance.

IF YOU SMELL GAS, follow instructions below:

- Do not try to light any appliance.
- Do not touch any electrical switch.
- Do not use any phone in your building.
- Open windows and doors.
- Alert others and evacuate building immediately.
- From a phone outside of the building, immediately call your gas supplier. Follow the gas supplier's instructions. If you cannot reach your gas supplier, call the fire department.

Complete the following unit inspections and service routines at the beginning of each heating season.

**Important:** These steps should only be performed by a qualified service technician.

1. Inspect the control panel wiring and heating controls to confirm connections are tight and wiring insulation is intact.
2. Turn the unit on and off at the thermostat to be sure the ignition control and spark electrode are operating properly.
3. Turn off the gas supply with the unit operating to verify that the gas valve closes and that a re-ignition cycle is initiated by the ignition control.
4. Check the operation of the gas ignition system
5. Check the burner manifold pressure. A 1/8 inch pipe plug is provided in the gas valve for this purpose.
6. Visually inspect all of the unit's flue product passage ways for excessive deposit build up and corrosion. If build up or corrosion is apparent, perform the necessary repairs.
7. Arrange for a qualified serviceman to inspect the unit every other heating season to maintain safe and efficient operation.
8. Visually check the main burner flames. They should be bright blue flames extending into the heat exchanger sections.
9. Never store anything flammable or combustible around or near the unit.



# Limited Warranty

## Electric Air Conditioner

### Precedent (Models TZK, YZK)

This warranty is extended by Trane to the original purchaser and to any succeeding owner of the real property to which the Electric/ Electric Air Conditioner is originally affixed and applies to products purchased and retained for use within the U.S.A. and Canada. The company warrants for a period of 36 months from initial start-up or 42 months from date of shipment, whichever is less, that the company products covered by this order (1) are free from defects in material and workmanship and (2) have the capacities and ratings set forth in the company's catalogs and bulletins.

There is no warranty against corrosion, erosion or deterioration. If any part of your Electric/ Electric Air Conditioner fails because of a manufacturing defect within three years (36 months) from the date of the original purchase, warrantor will furnish without charge the required replacement part.

In addition, if the sealed motor-**compressor** fails because of a manufacturing defect within the fourth through fifth year from the date of original purchase, warrantor will furnish without charge the required replacement compressor.

Warrantor's obligations and liabilities under this warranty are limited to furnishing F.O.B. warrantor factory or warehouse at warrantor designated shipping point, freight allowed to buyer's city, replacement parts for warrantor's products covered under this warranty. Warrantor shall not be obligated to pay for the cost of lost refrigerant. No liability shall attach to warrantor until products have been paid for and then liability shall be limited solely to the purchase price of the equipment under warranty shown to be defective.

THE WARRANTY AND LIABILITY SET FORTH HEREIN ARE IN LIEU OF ALL OTHER WARRANTIES AND LIABILITIES, WHETHER IN CONTRACT OR IN

NEGLIGENCE, EXPRESS OR IMPLIED, IN LAW OR IN FACT, INCLUDING IMPLIED WARRANTIES OF MERCHANTABILITY AND FITNESS FOR PARTICULAR USE, AND IN NO EVENT SHALL WARRANTOR BE LIABLE FOR ANY INCIDENTAL OR CONSEQUENTIAL DAMAGES.

Some states do not allow limitations on how long an implied warranty lasts or do not allow the exclusion or limitation of incidental or consequential damages, so the above limitation or exclusion may not apply to you. This warranty gives you specific legal rights, and you may also have other rights which vary from state to state.

#### Trane Technologies

2701 Wilma Rudolph Blvd.

Clarksville, TN 37040-1008

Attention: Manager, Product Service

#### GW-606-4800

The Company makes certain further warranty protection available on an optional extra-cost basis. Any further warranty must be in writing, signed by an officer of the company.

The warranty and liability set forth herein are in lieu of all other warranties and liabilities, whether in contract or in negligence, express or implied, in law or in fact, including implied warranties of merchantability and fitness for particular use. In no event shall the company be liable for any incidental or consequential damages.

\* This warranty is for commercial usage of said equipment and not applicable when the equipment is used for a residential application. Commercial use is any application where the end purchaser uses the product for other than personal, family or household purposes.

\*\*A five year limited warranty is provided for the optional "Low Leak" economizer.



Trane - by Trane Technologies (NYSE: TT), a global innovator - creates comfortable, energy efficient indoor environments for commercial and residential applications. For more information, please visit [trane.com](https://trane.com) or [tranetechnologies.com](https://tranetechnologies.com).

Trane has a policy of continuous product and product data improvements and reserves the right to change design and specifications without notice. We are committed to using environmentally conscious print practices.